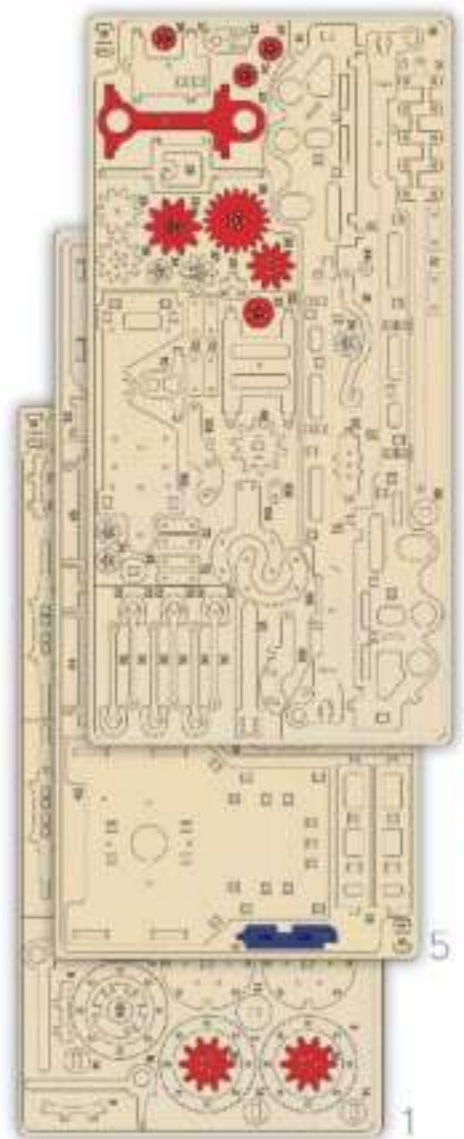


Wood Trick[®]





32

36

35

34

33

34

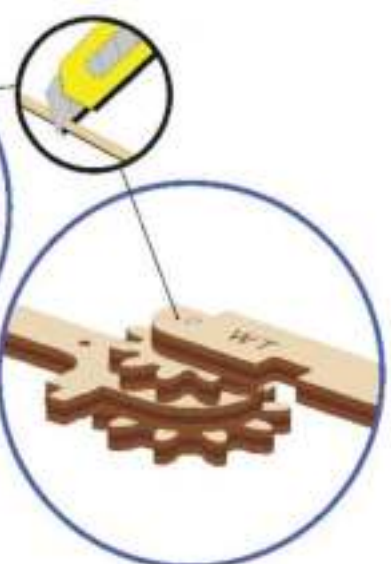
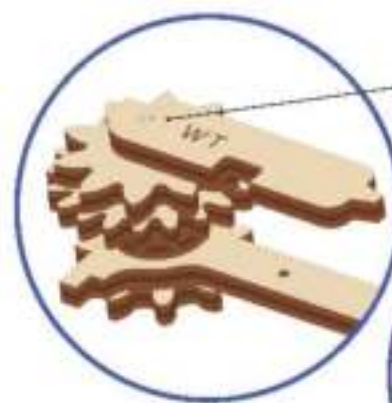
x2



38

34

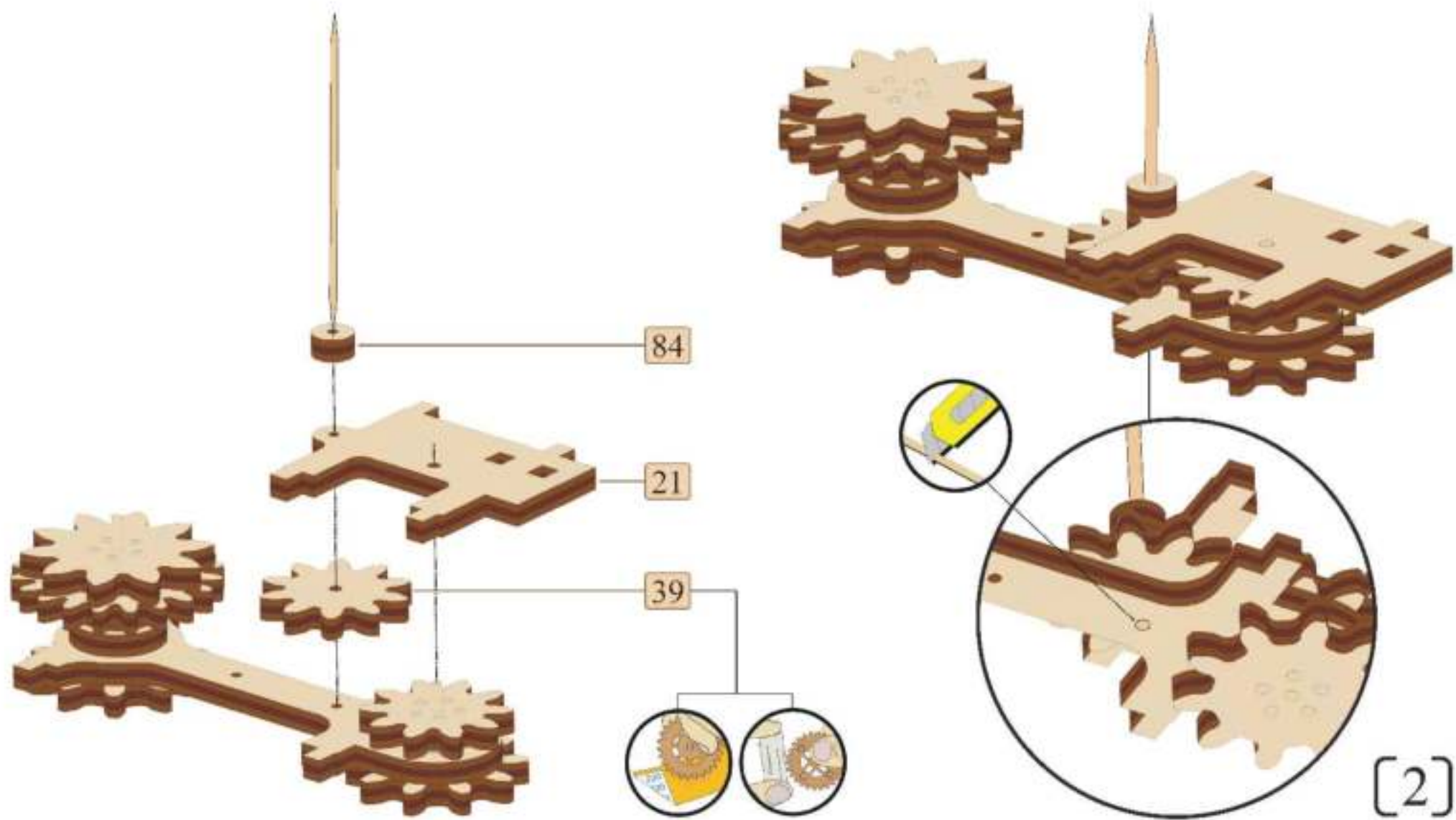
20



[1]



2

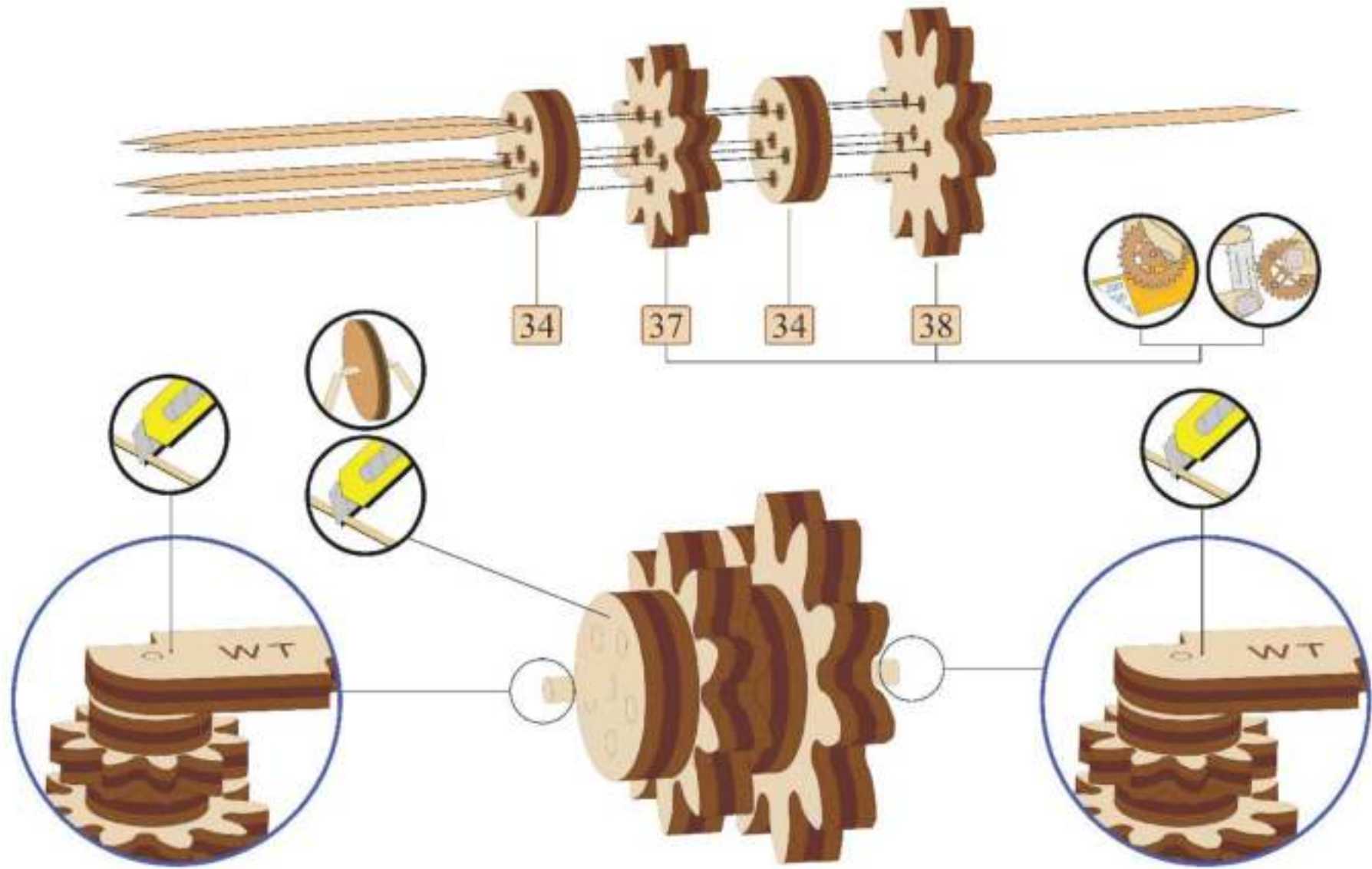


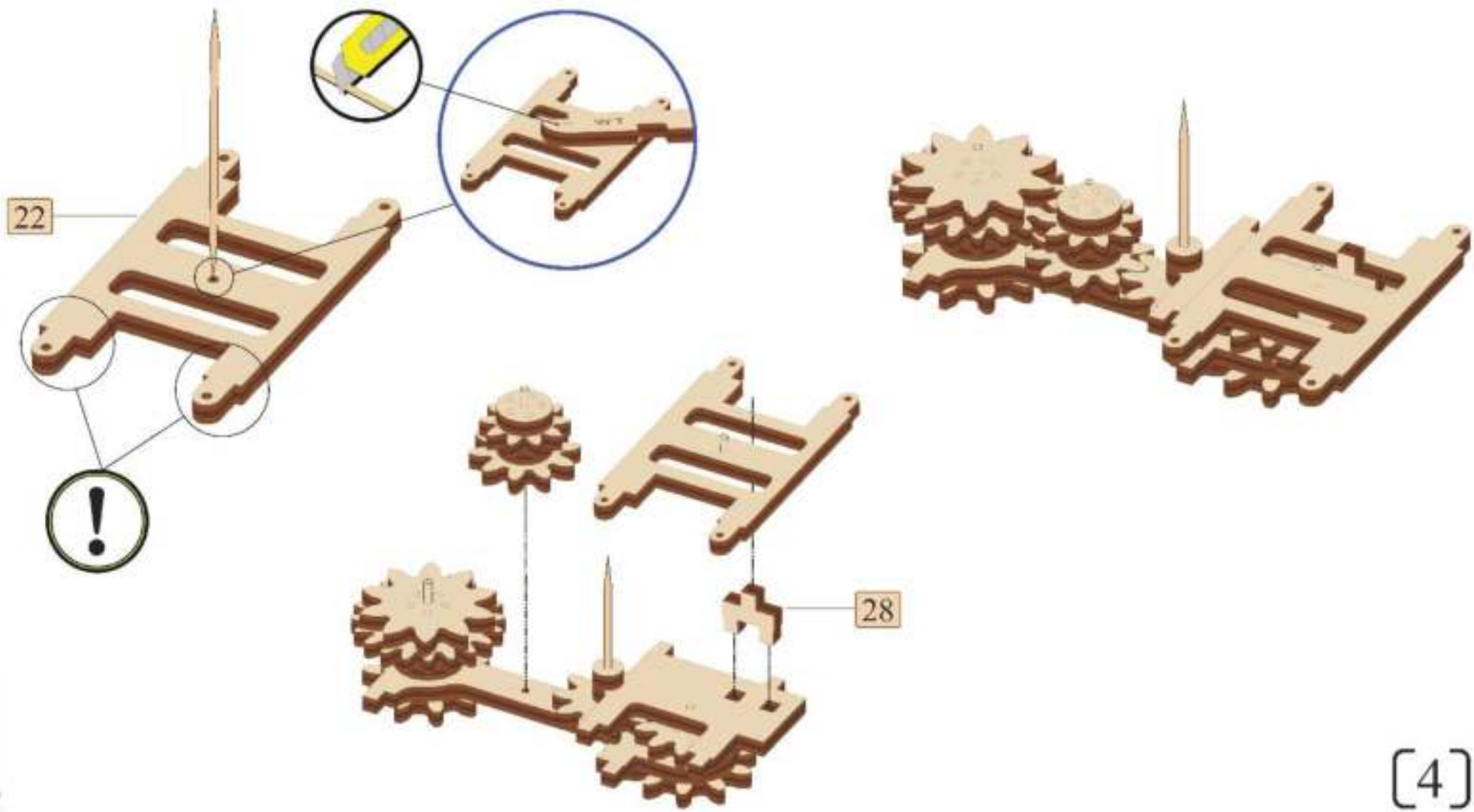
84

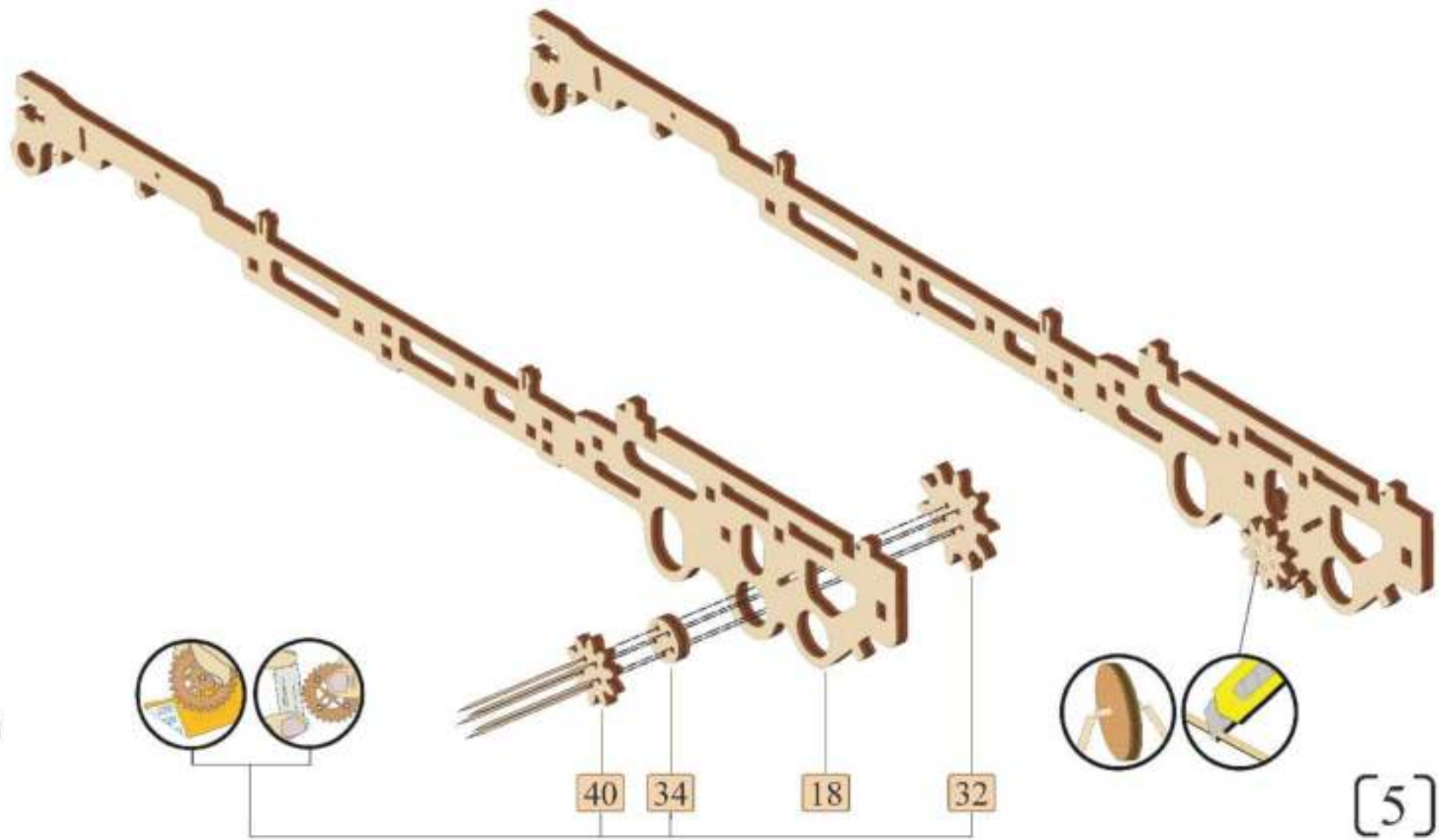
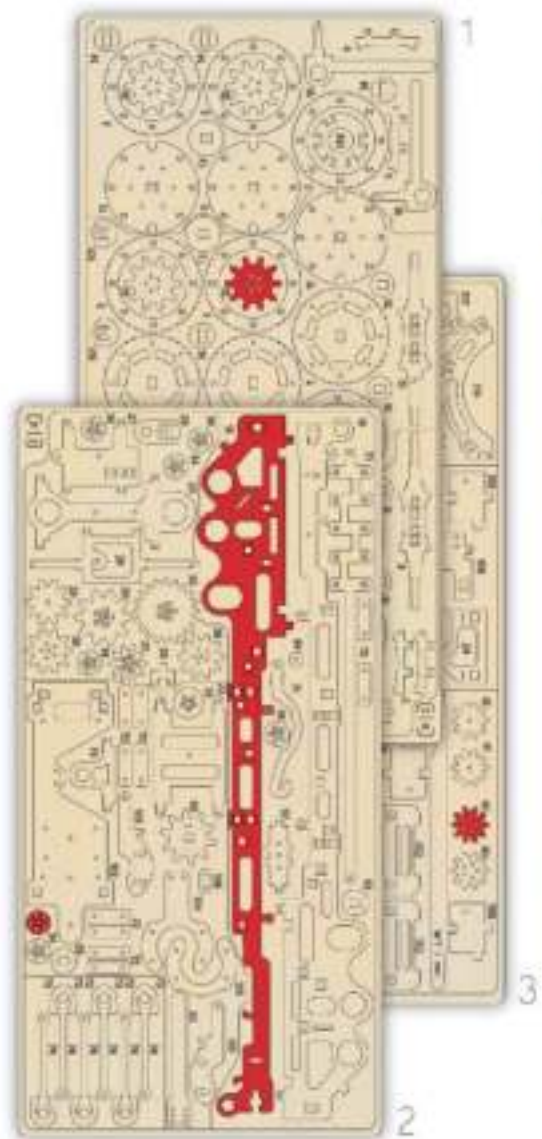
21

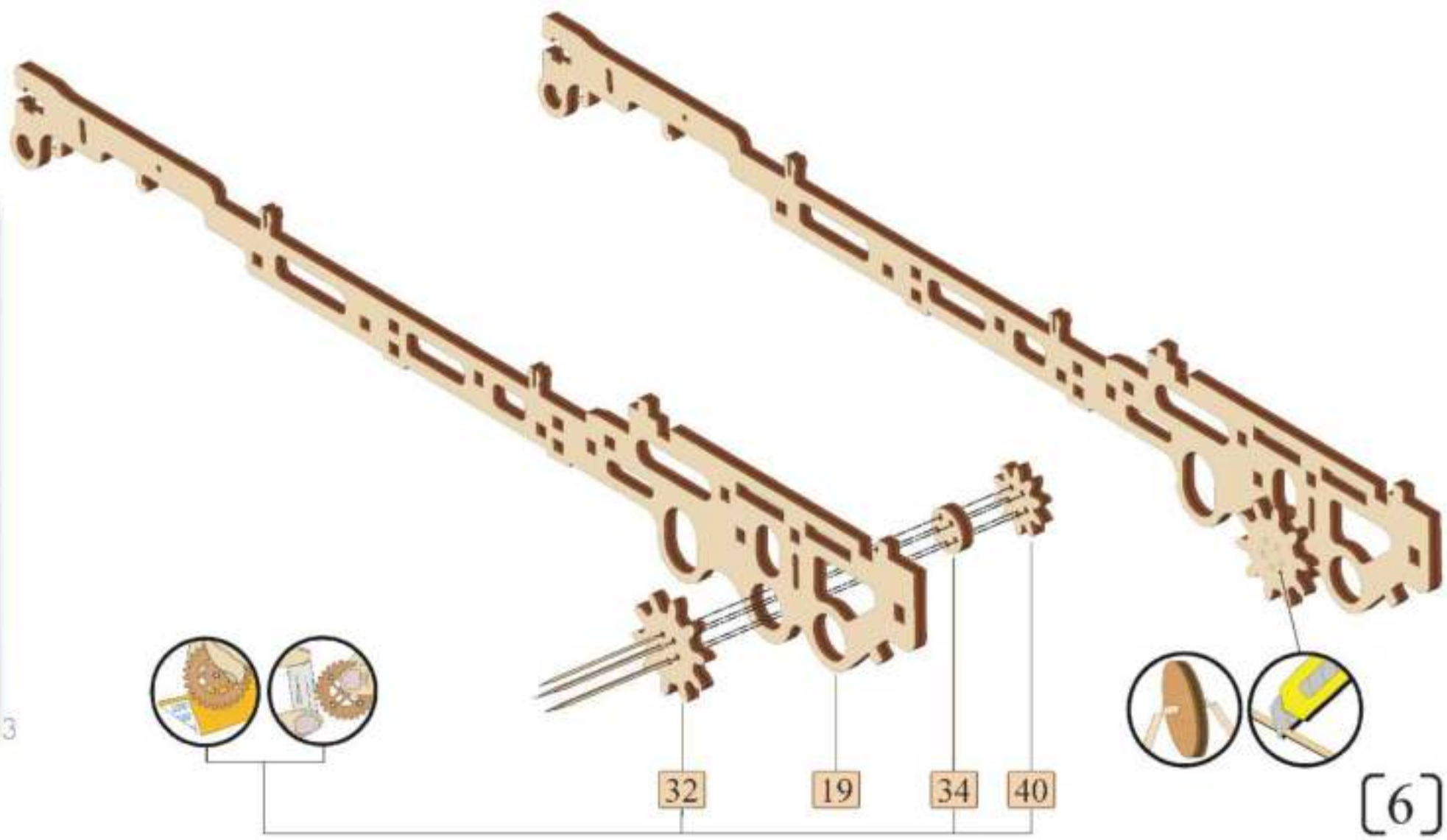
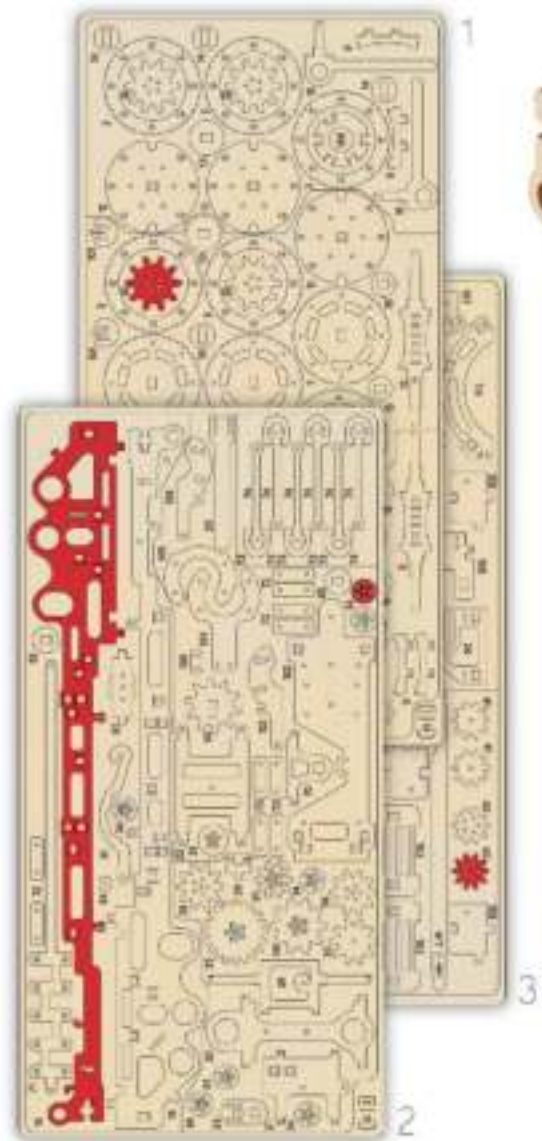
39

[2]

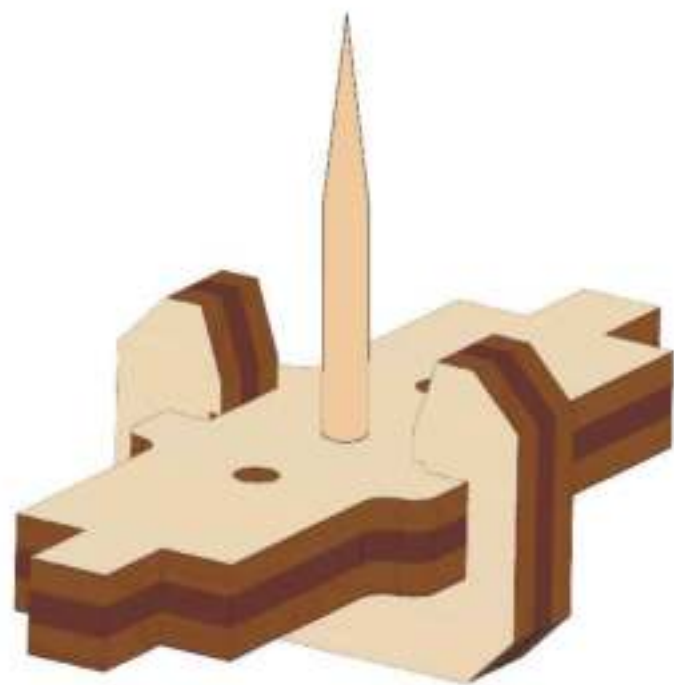
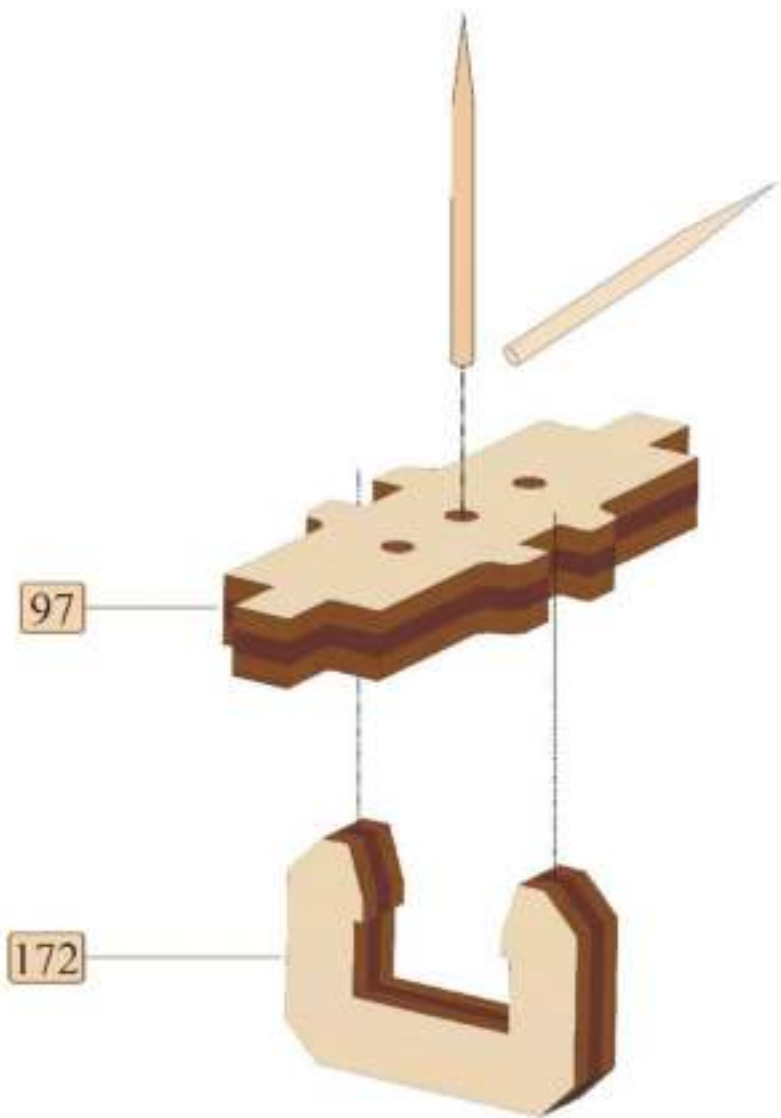
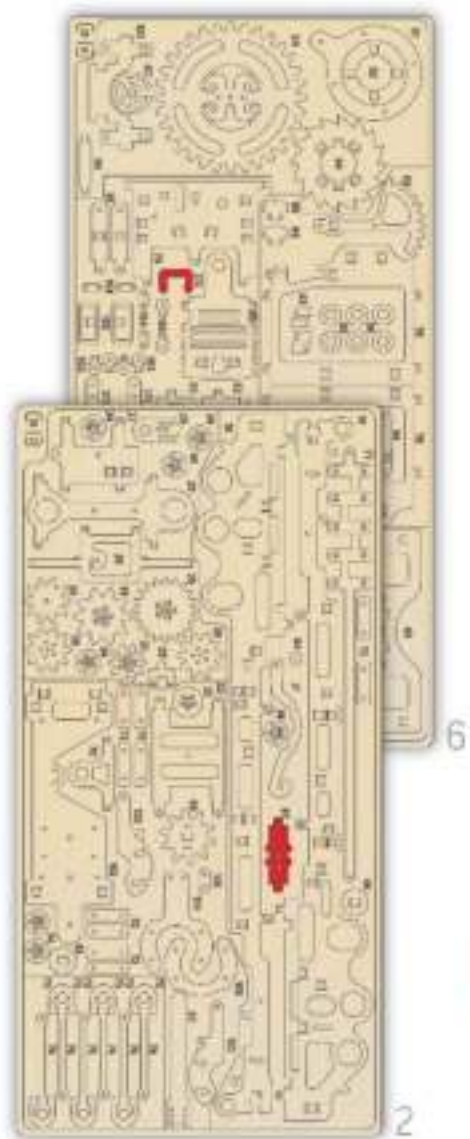


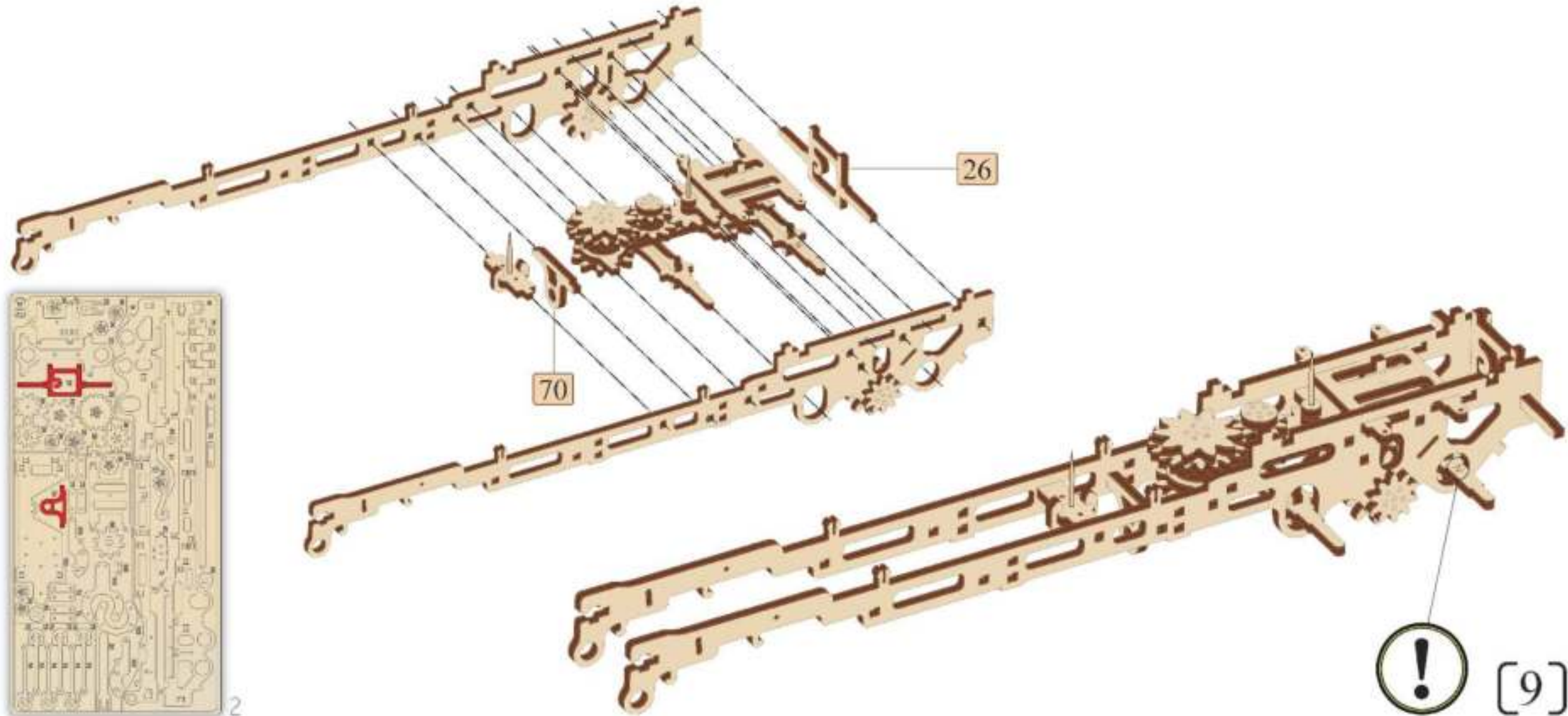


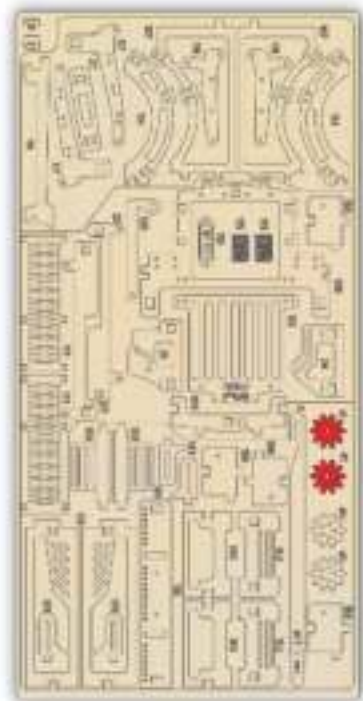






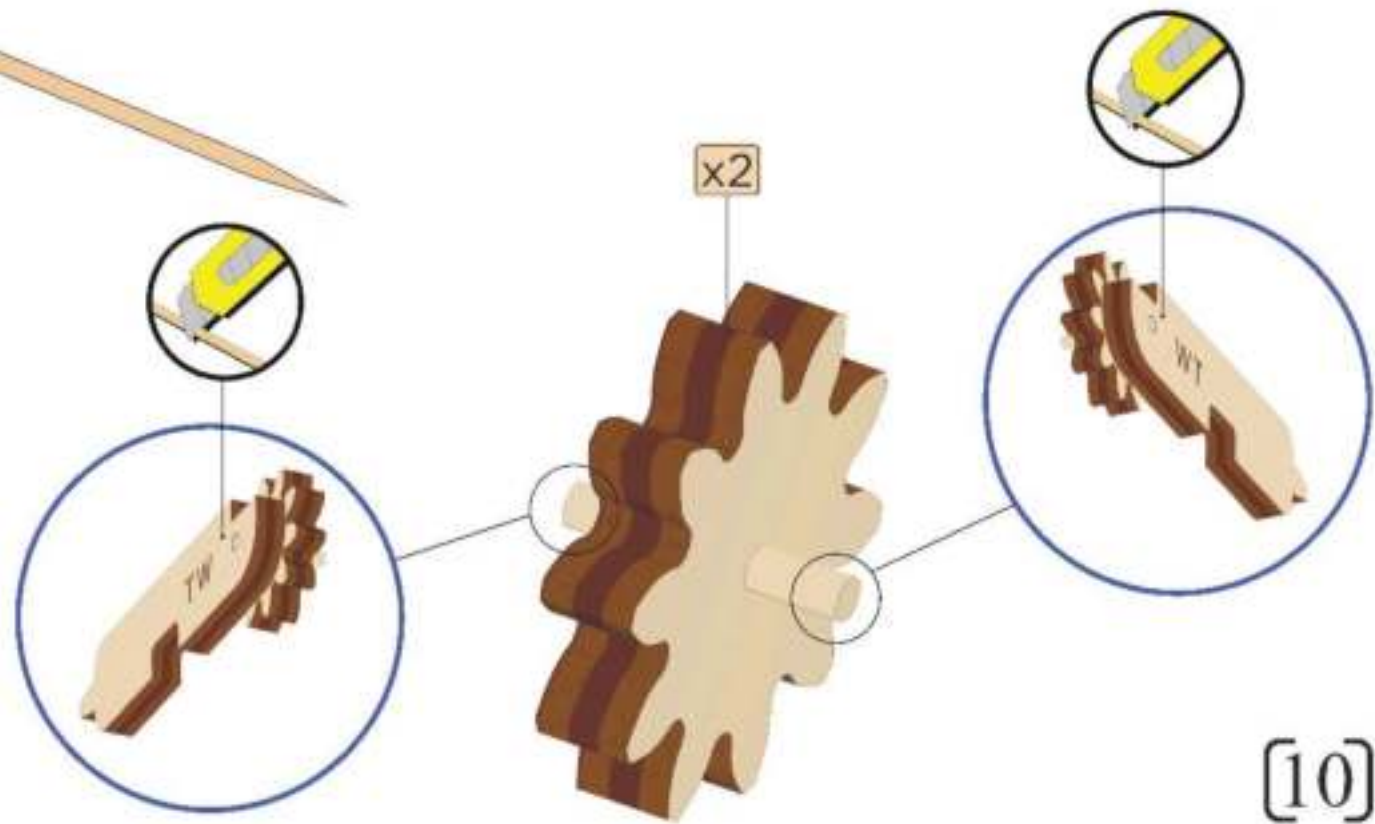
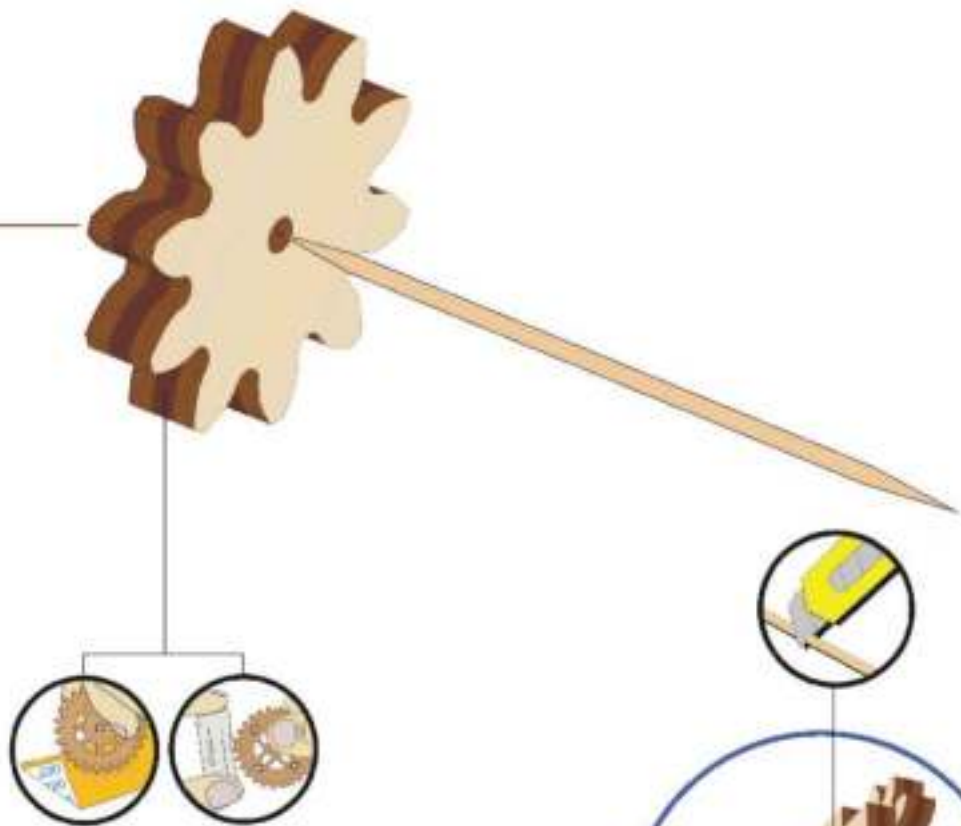




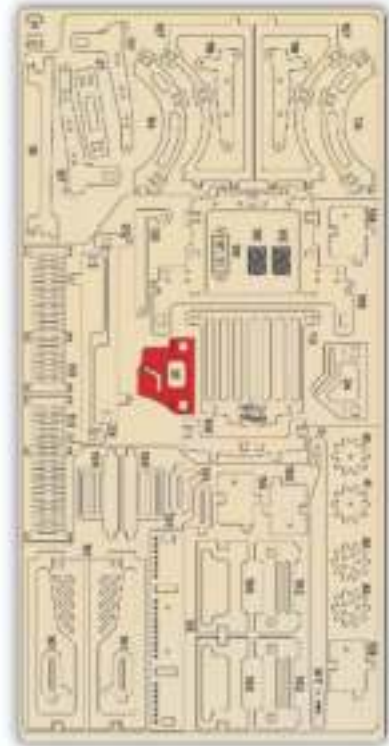


3

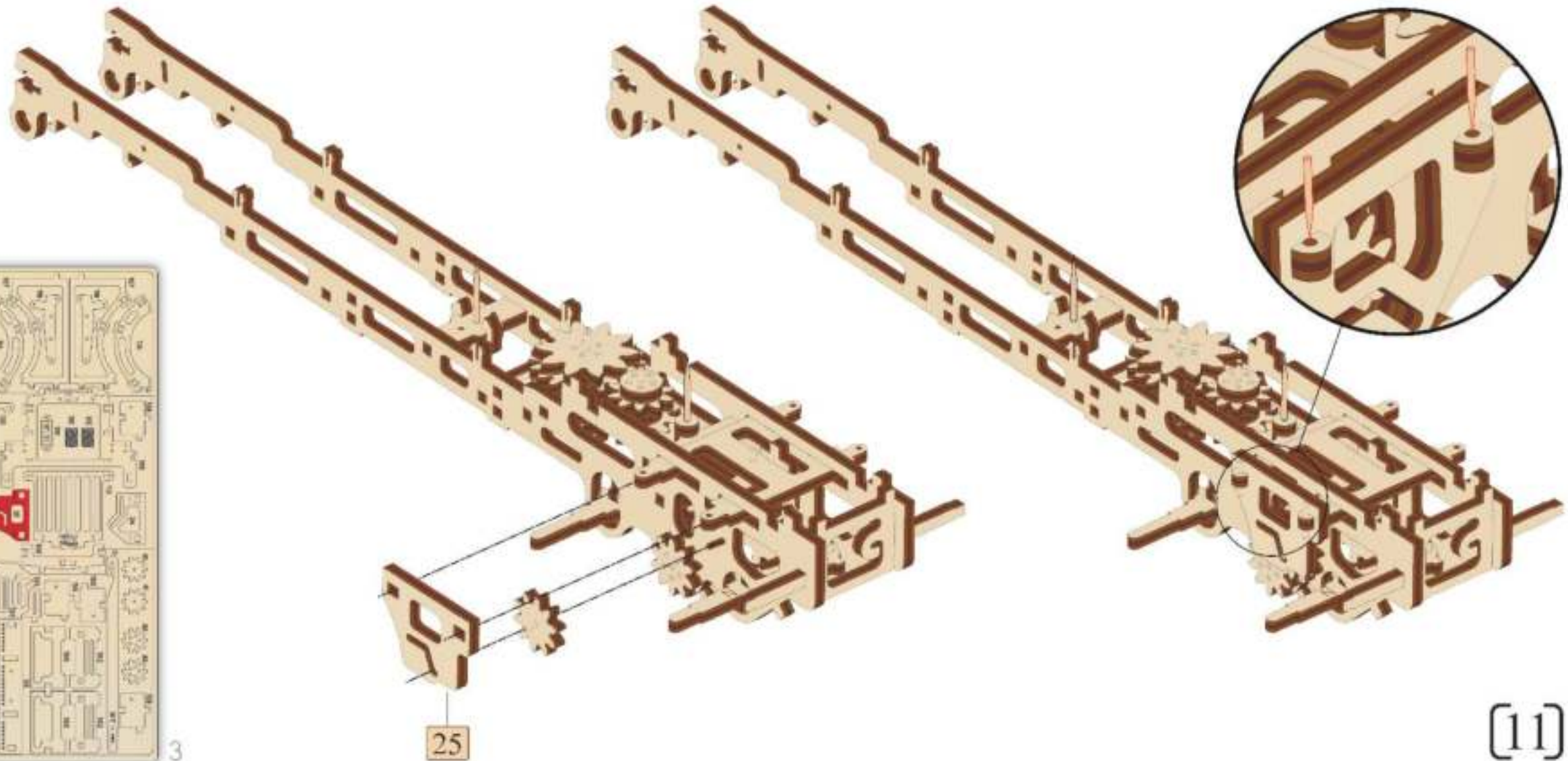
41



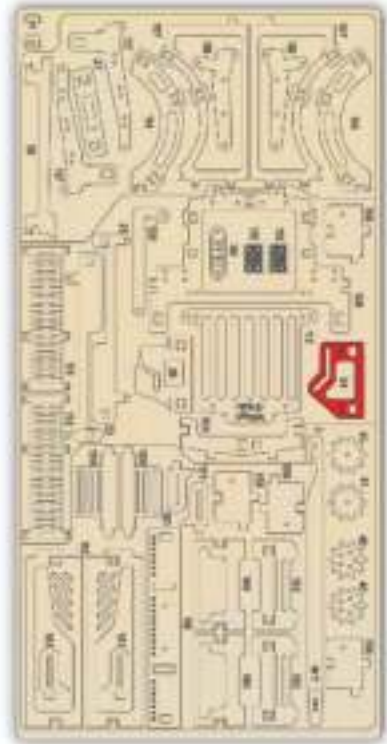
[10]



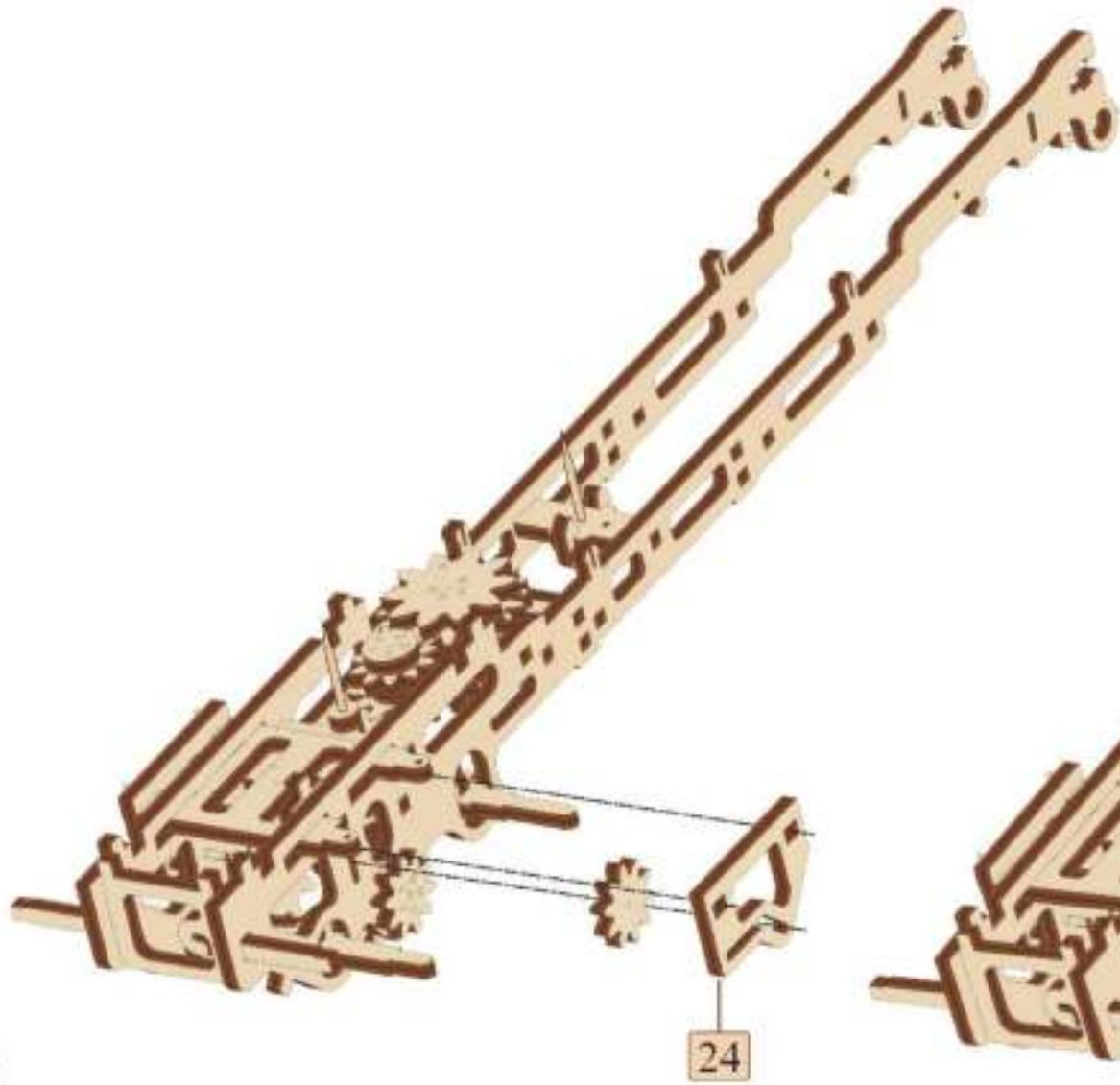
3



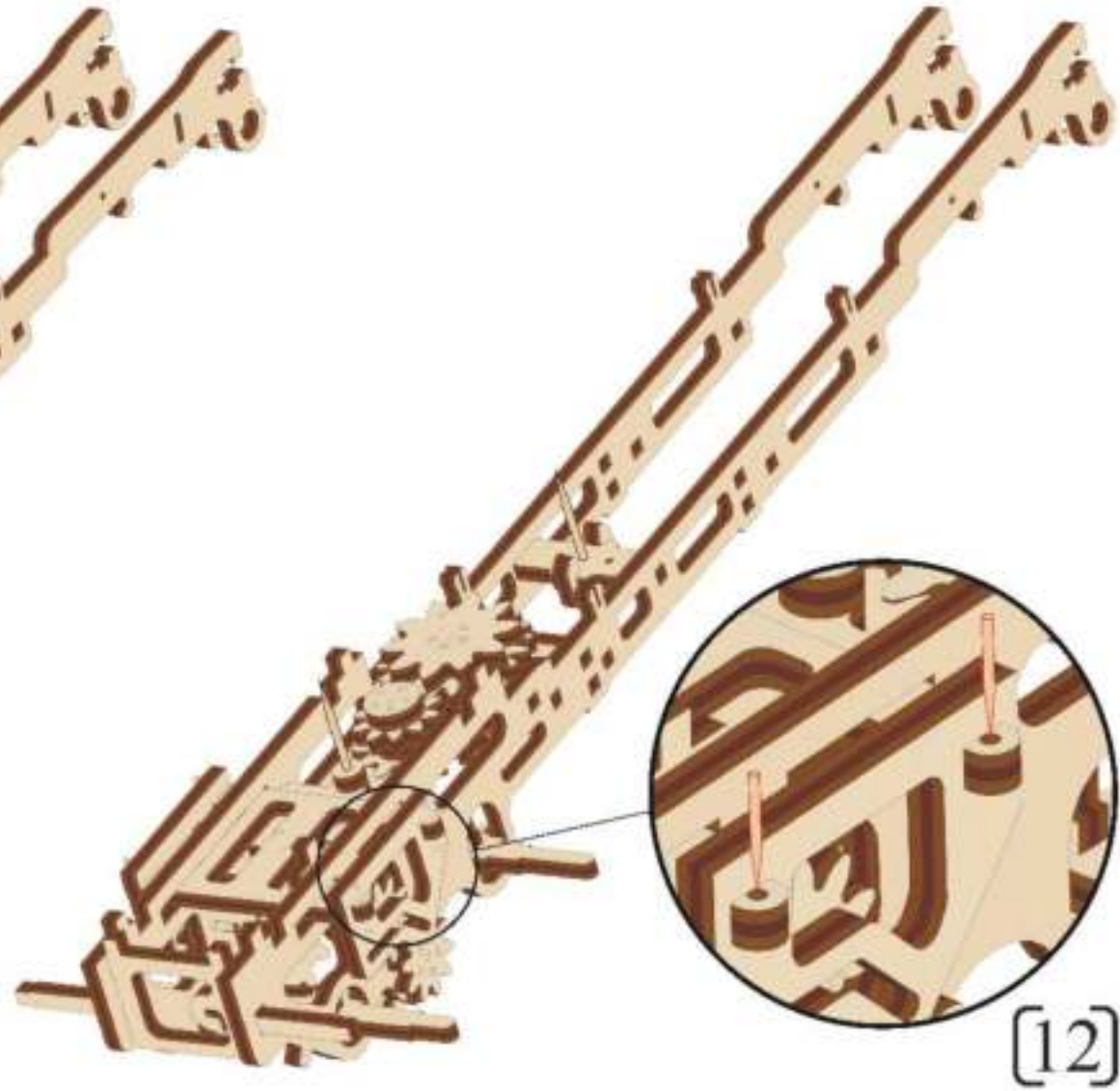
[11]



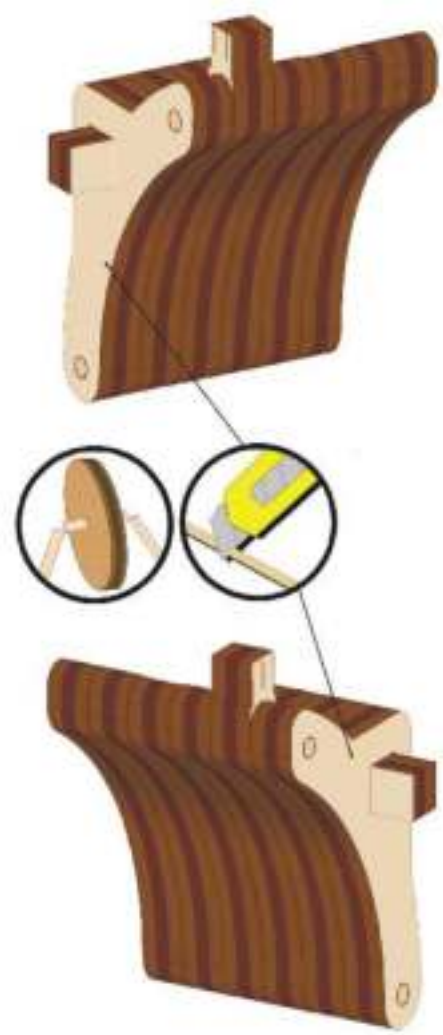
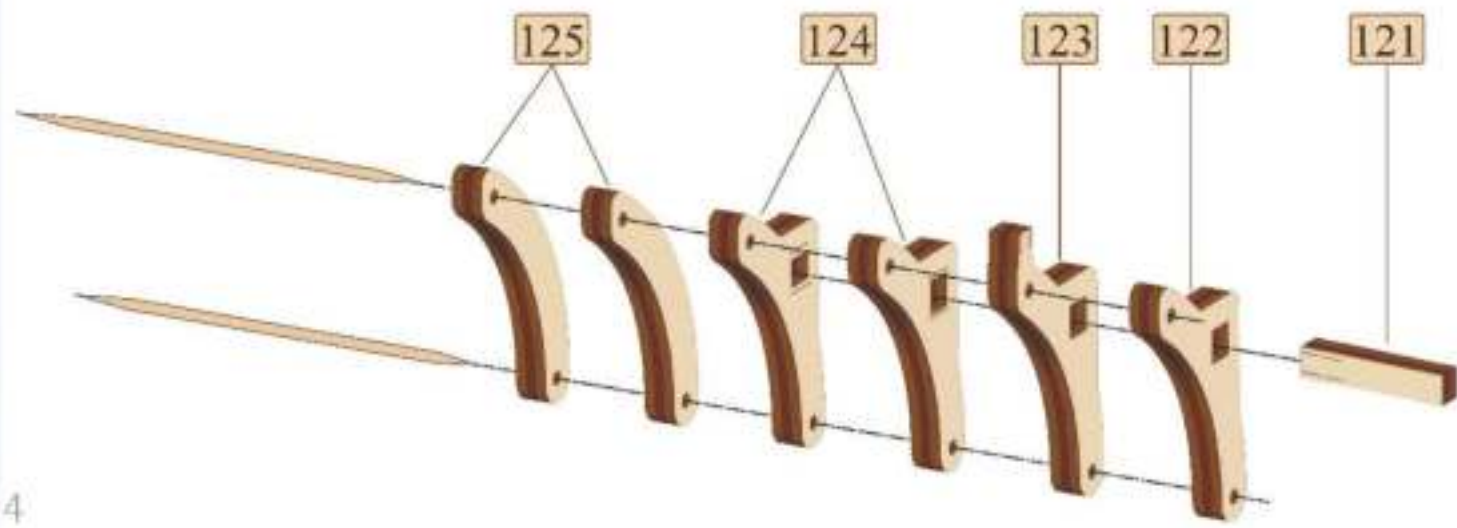
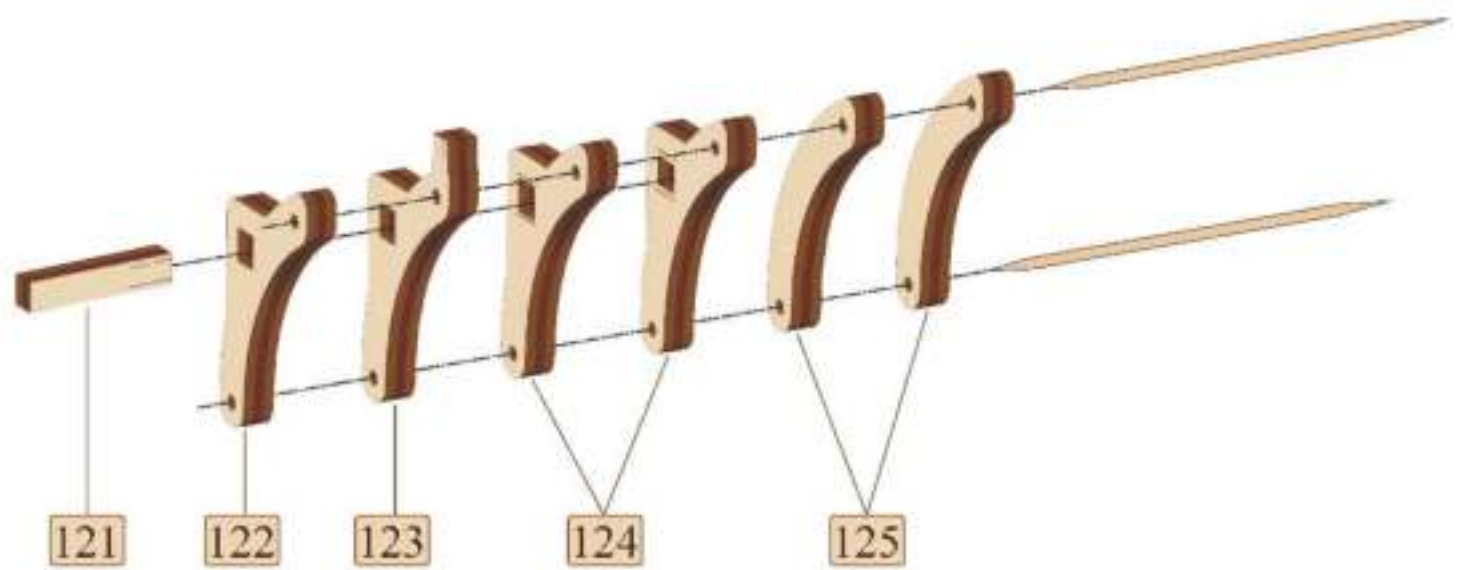
3



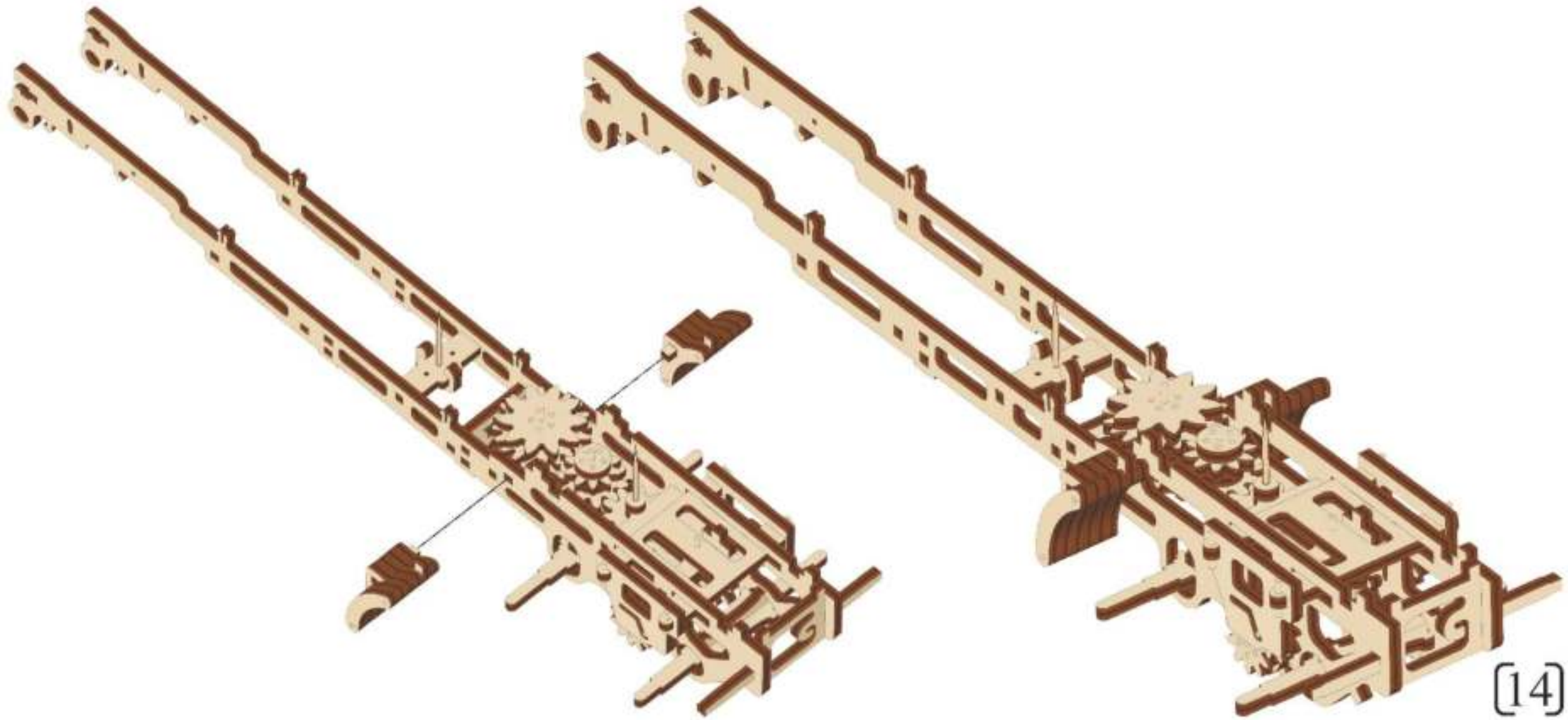
24



12

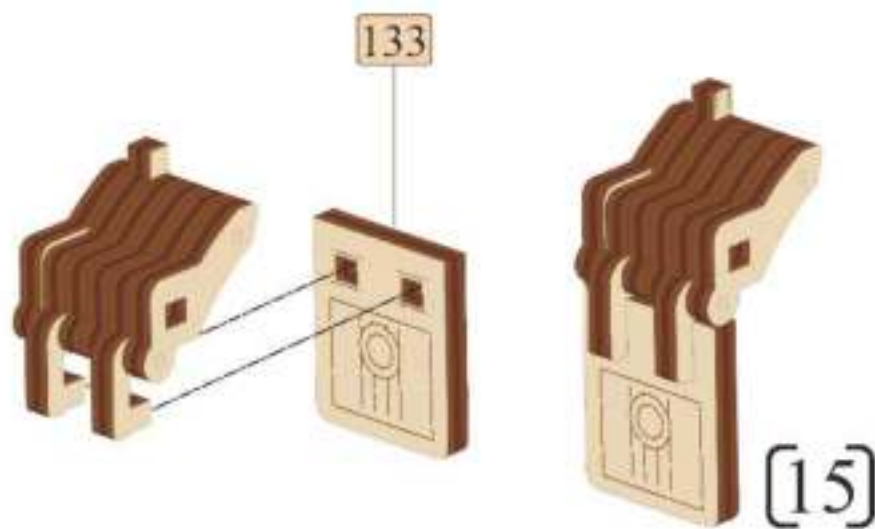
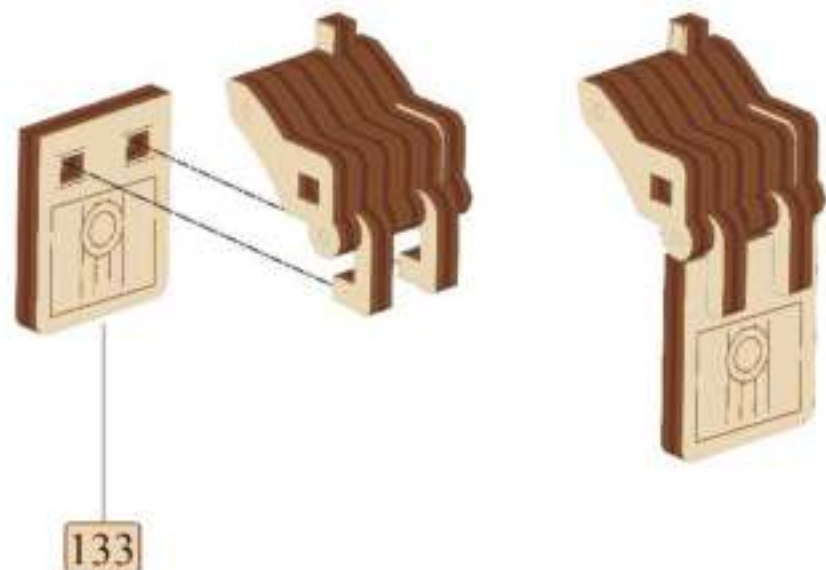
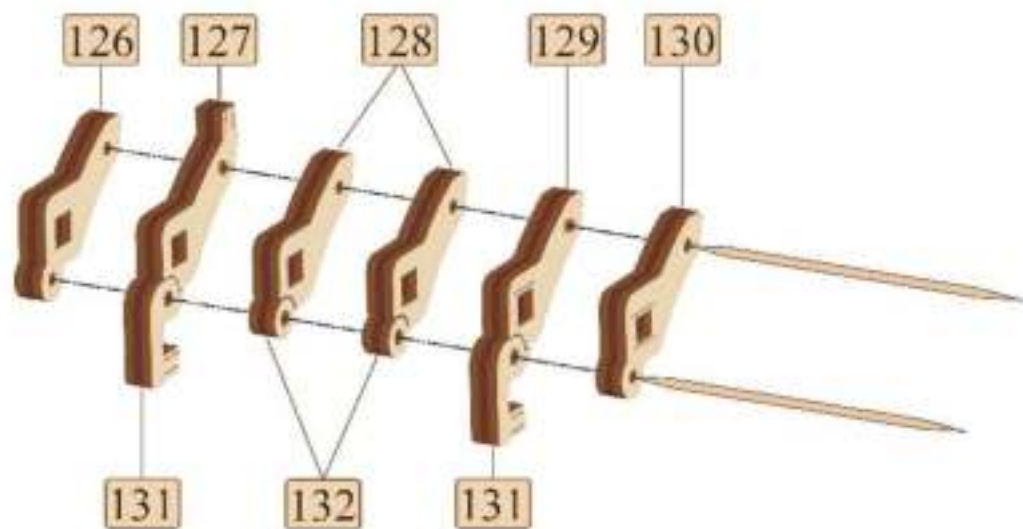
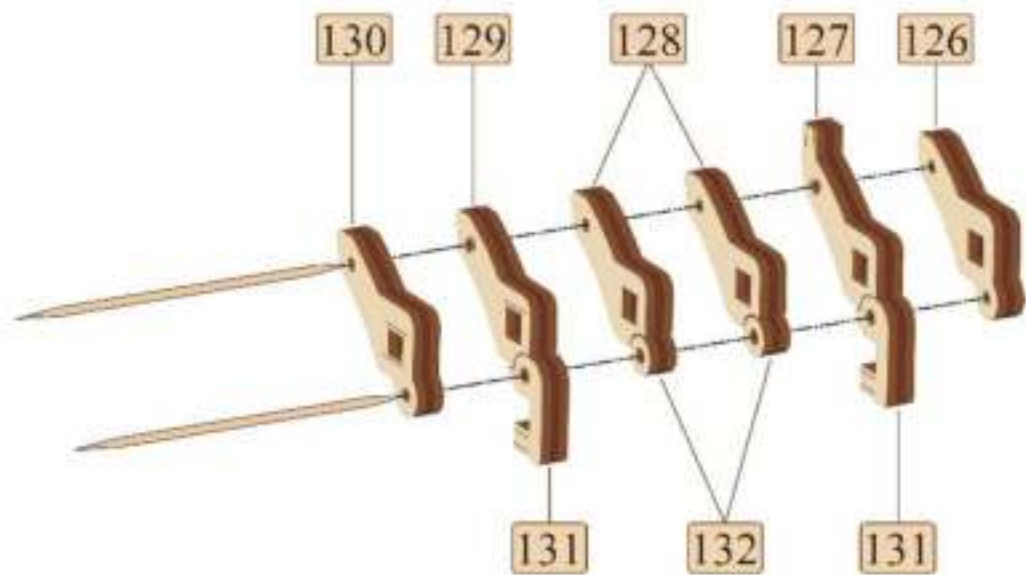


[13]

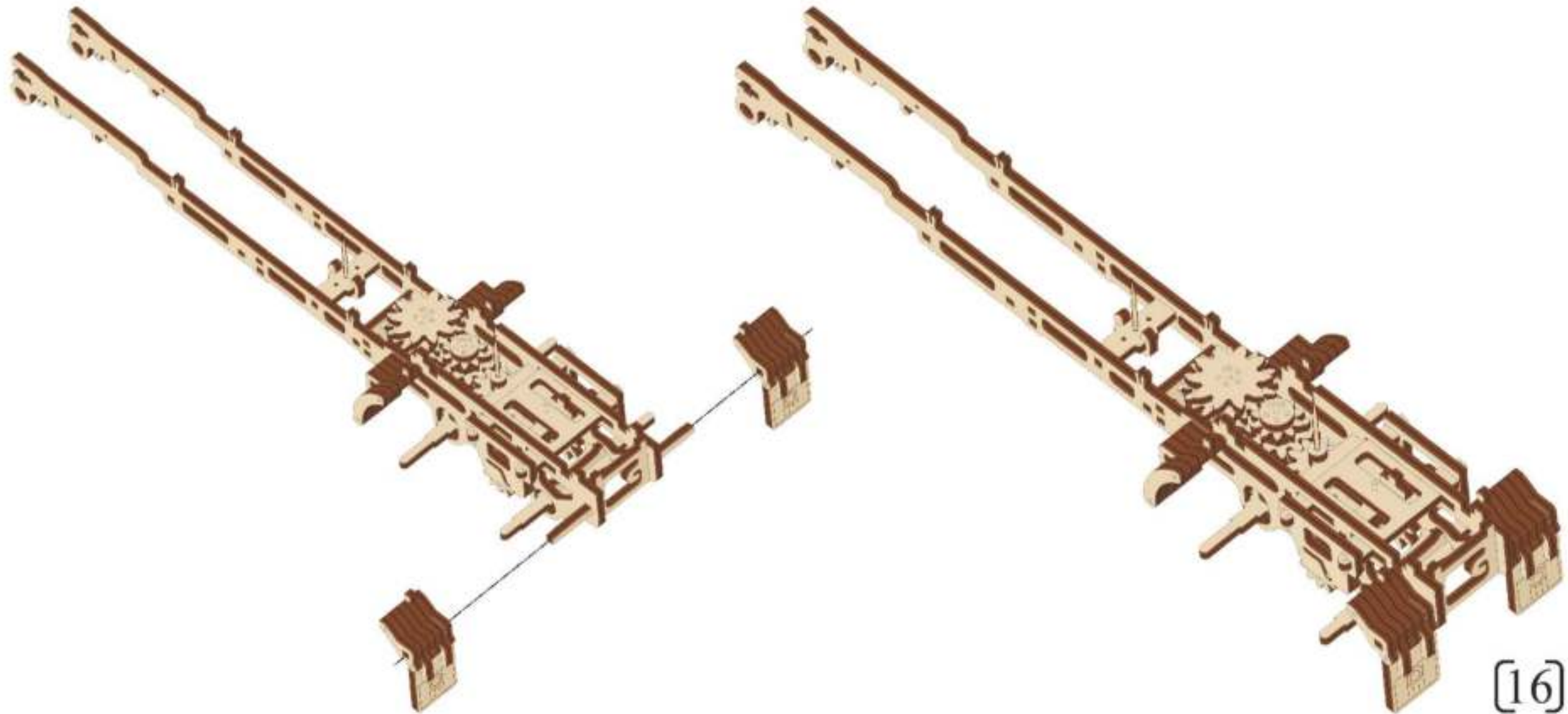


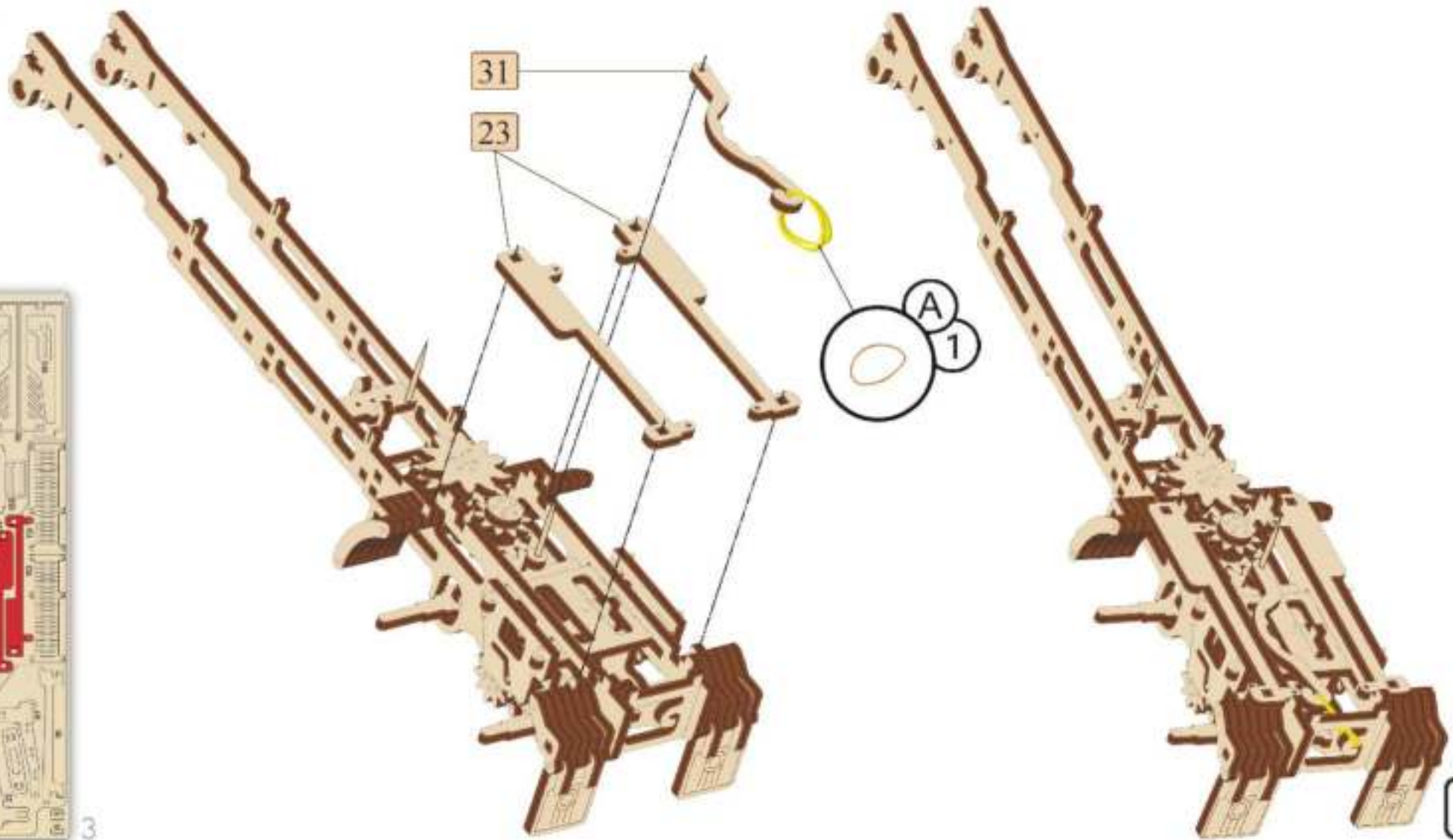
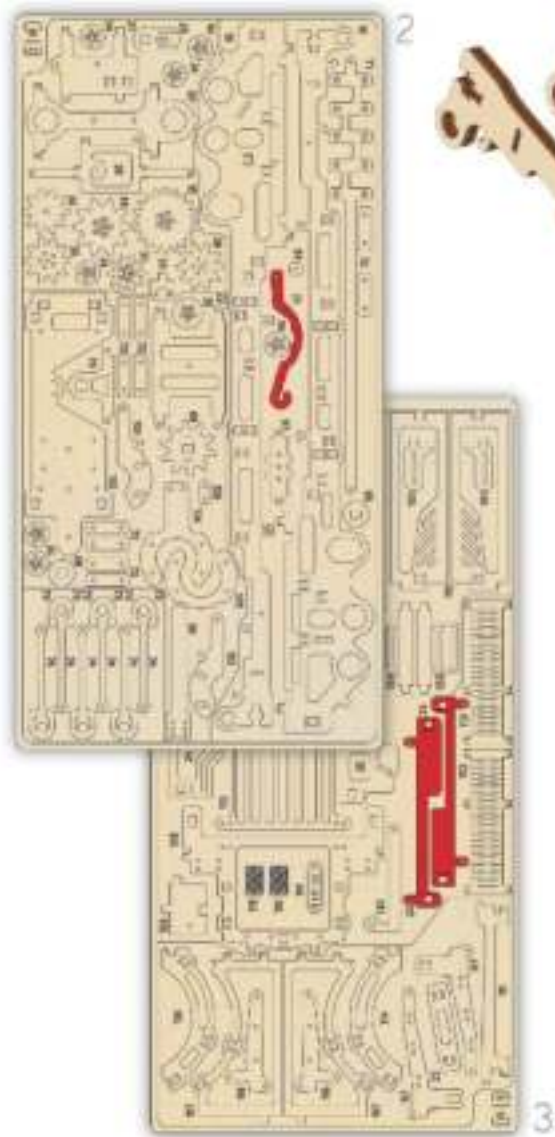


4



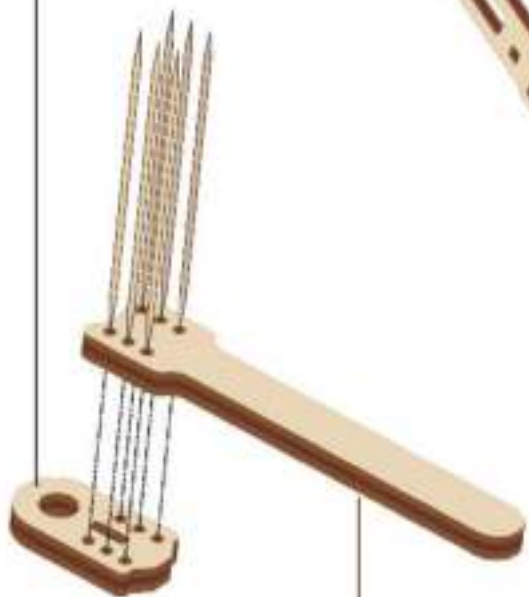
15







2

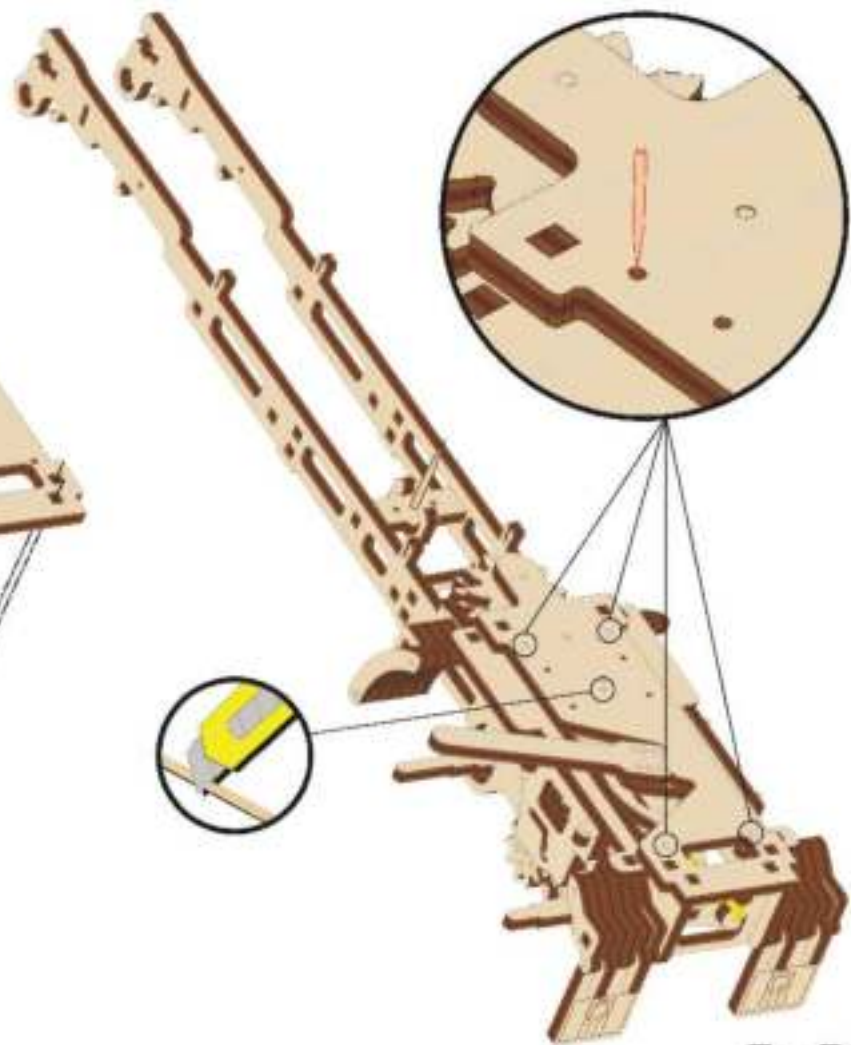
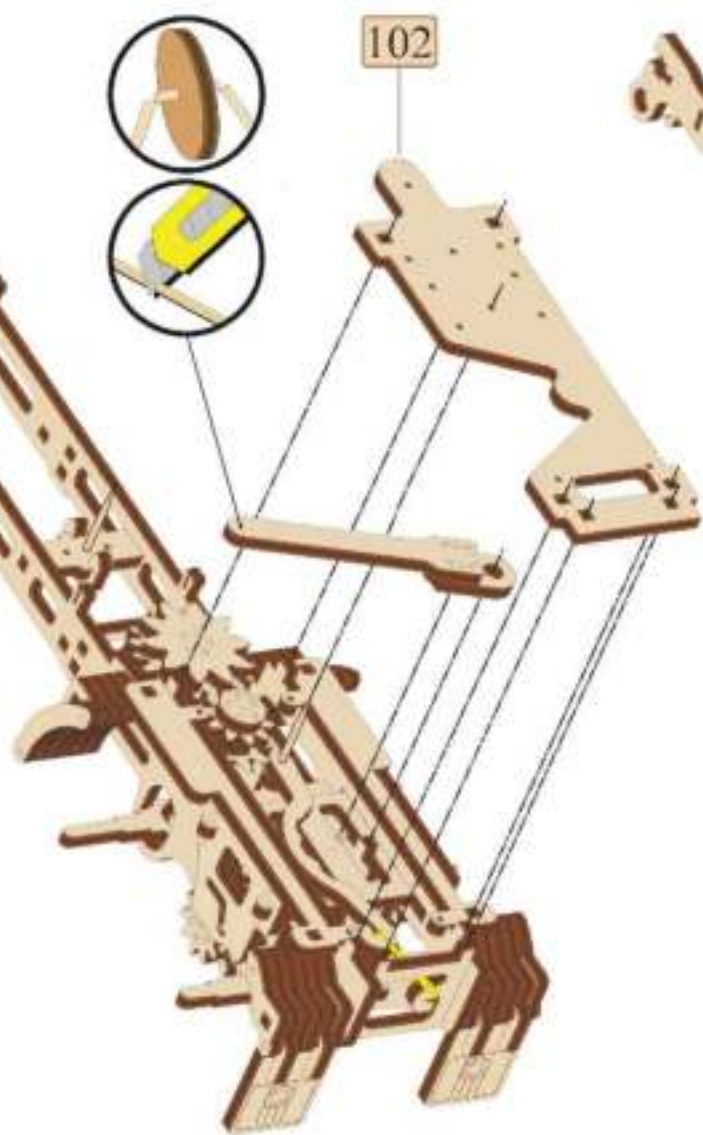


29

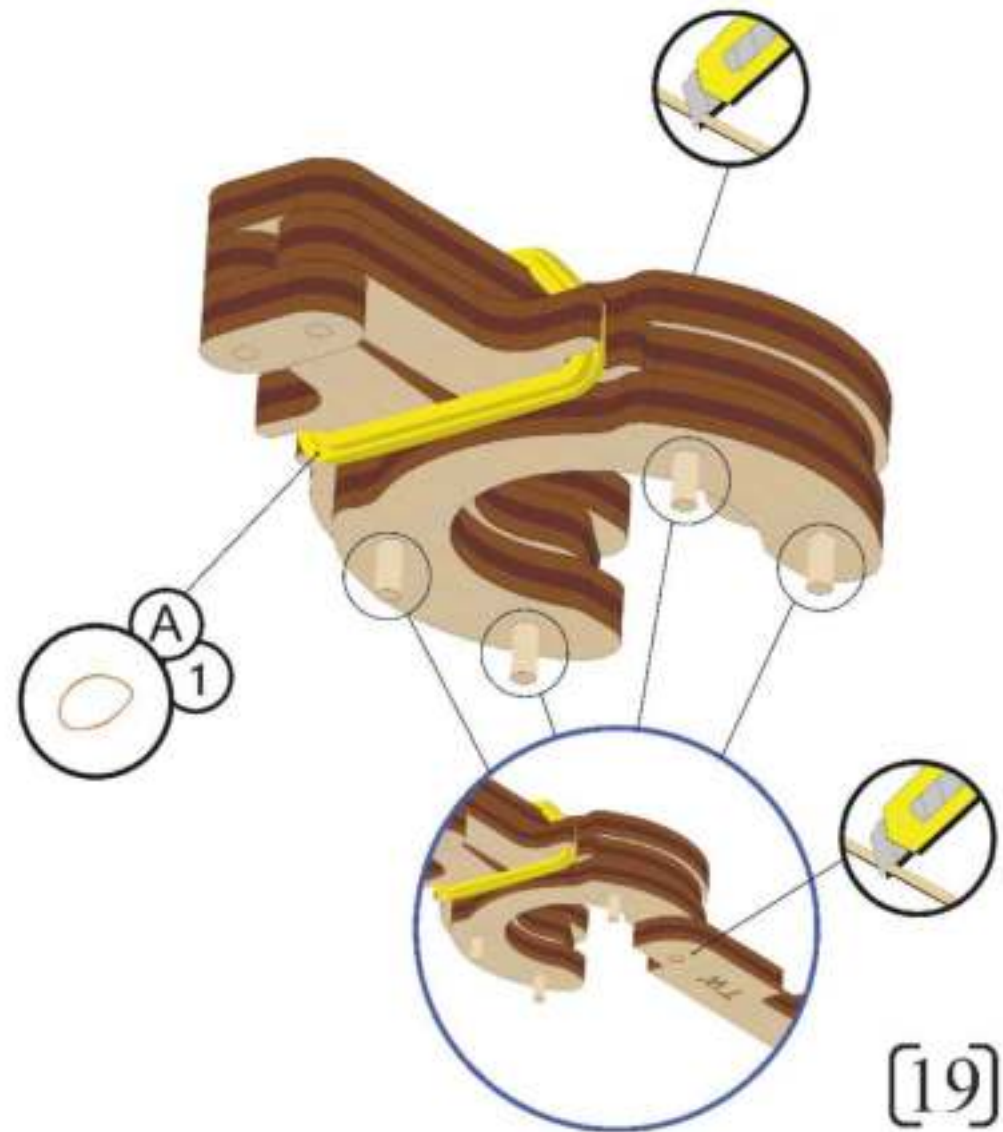
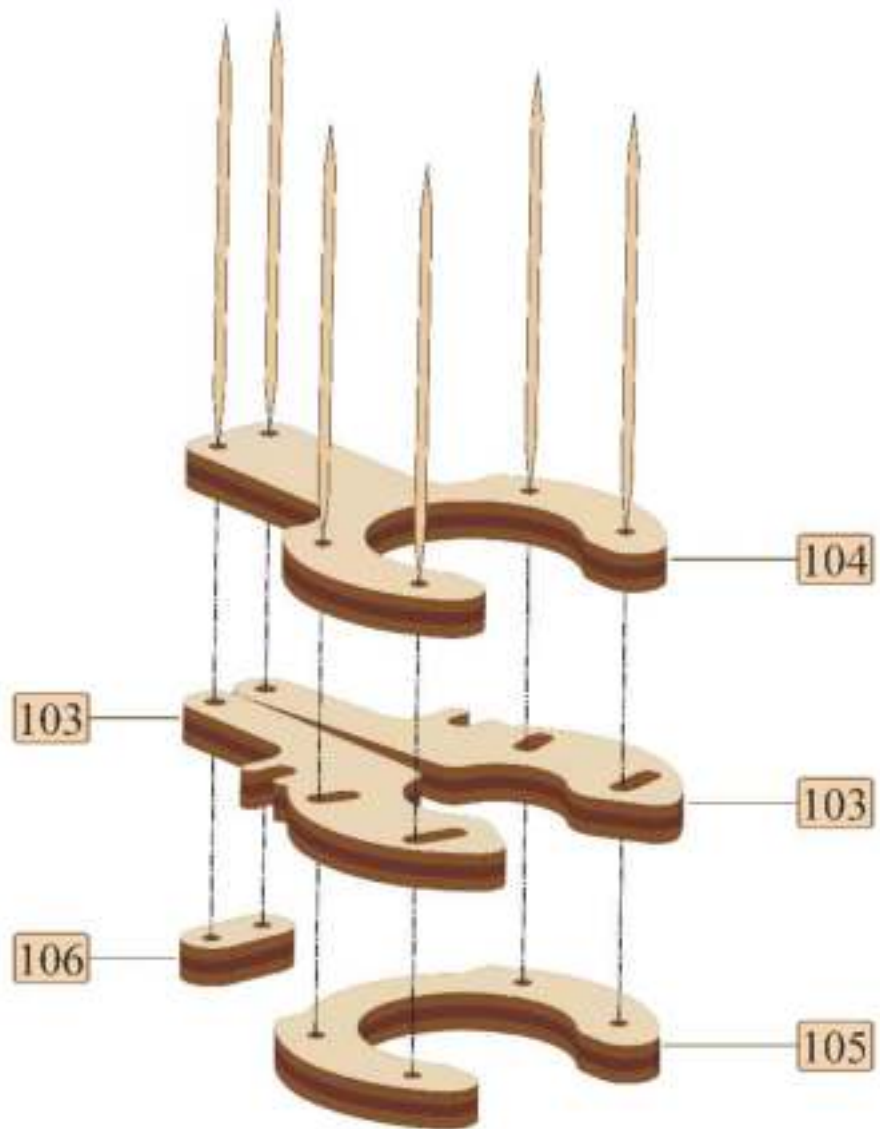
30



102



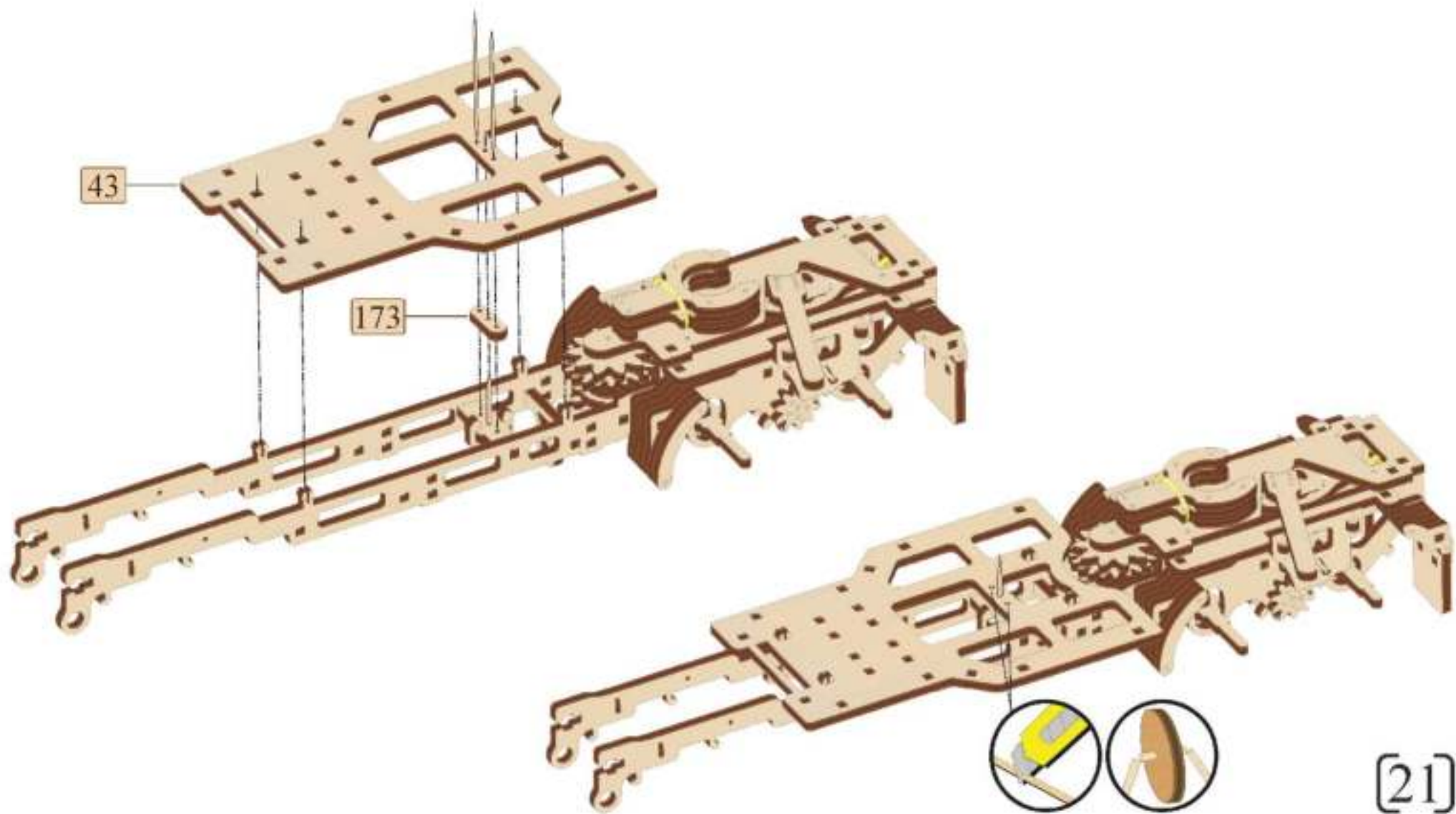
[18]



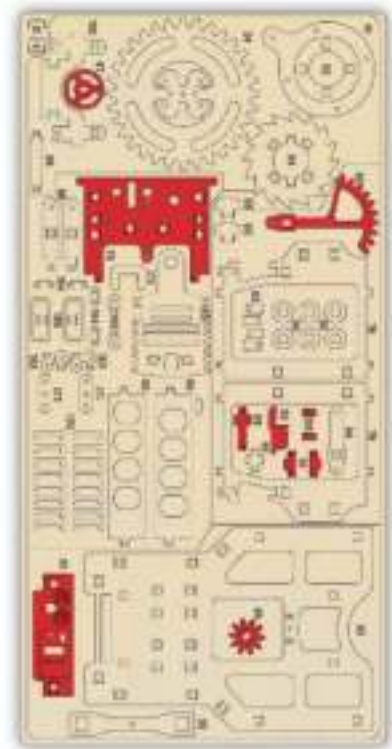




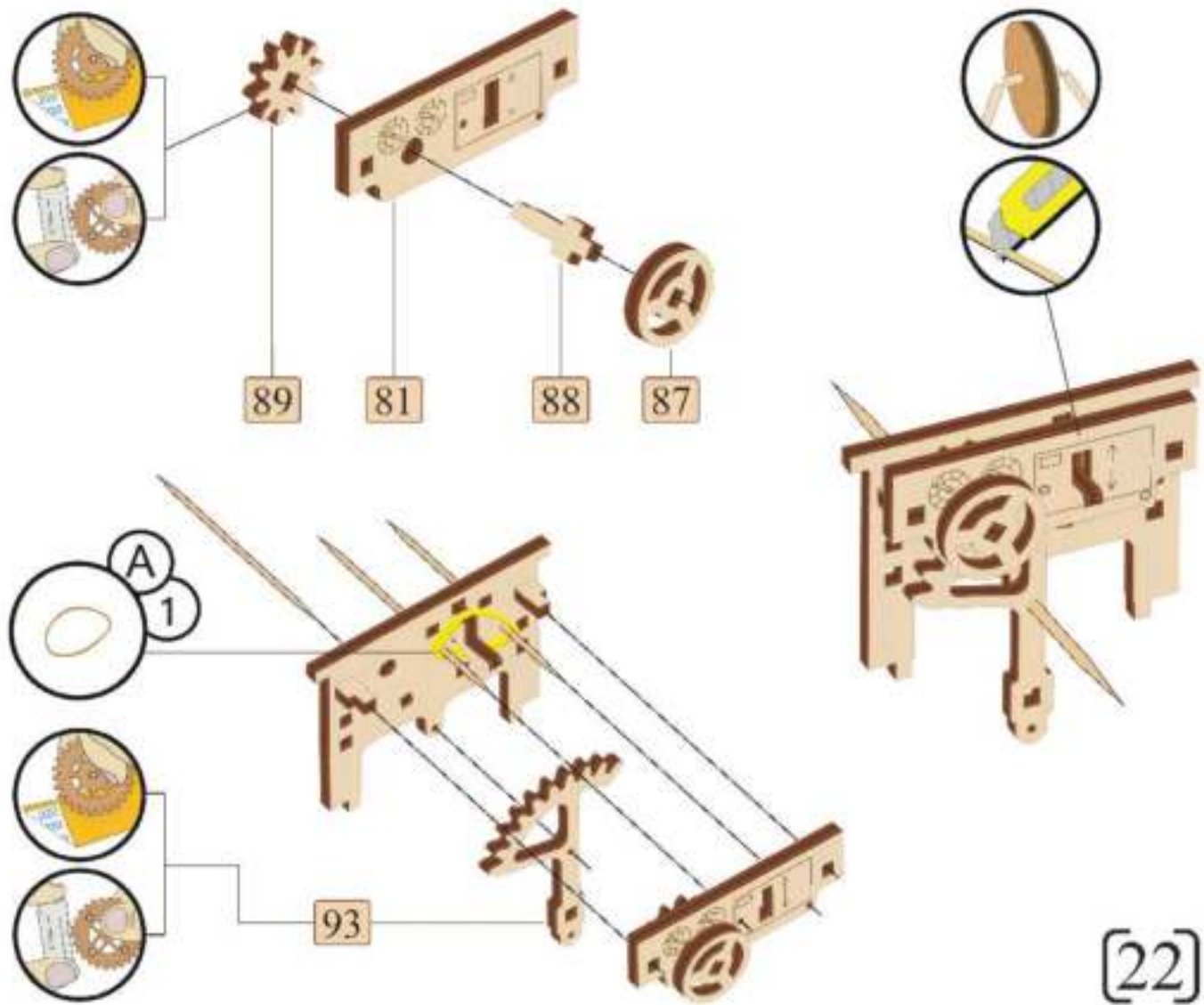
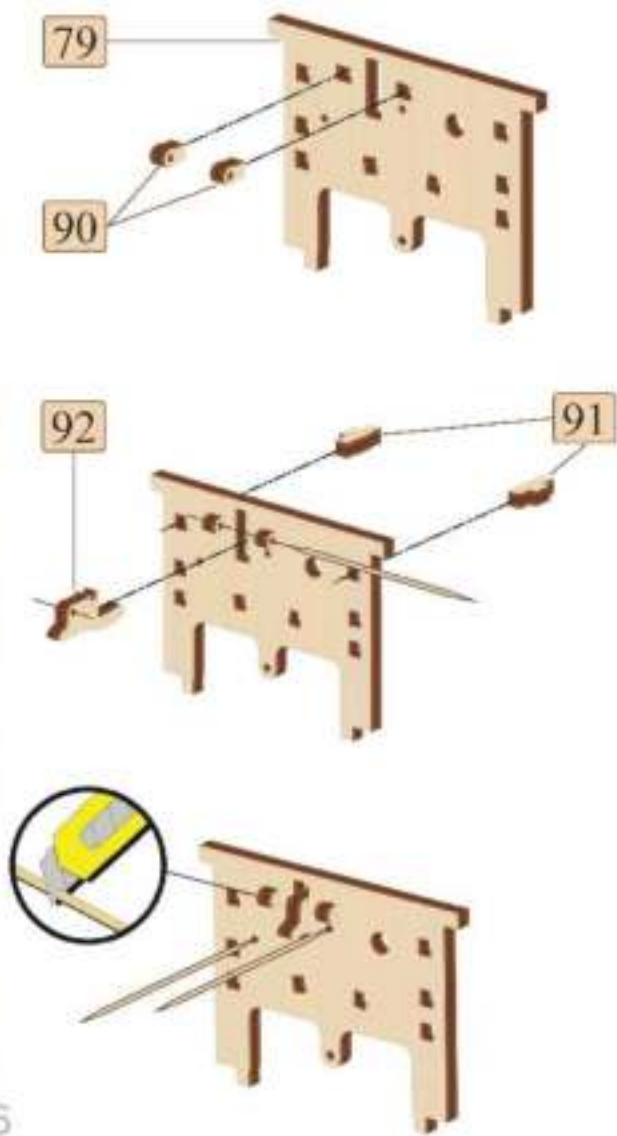
6



[21]



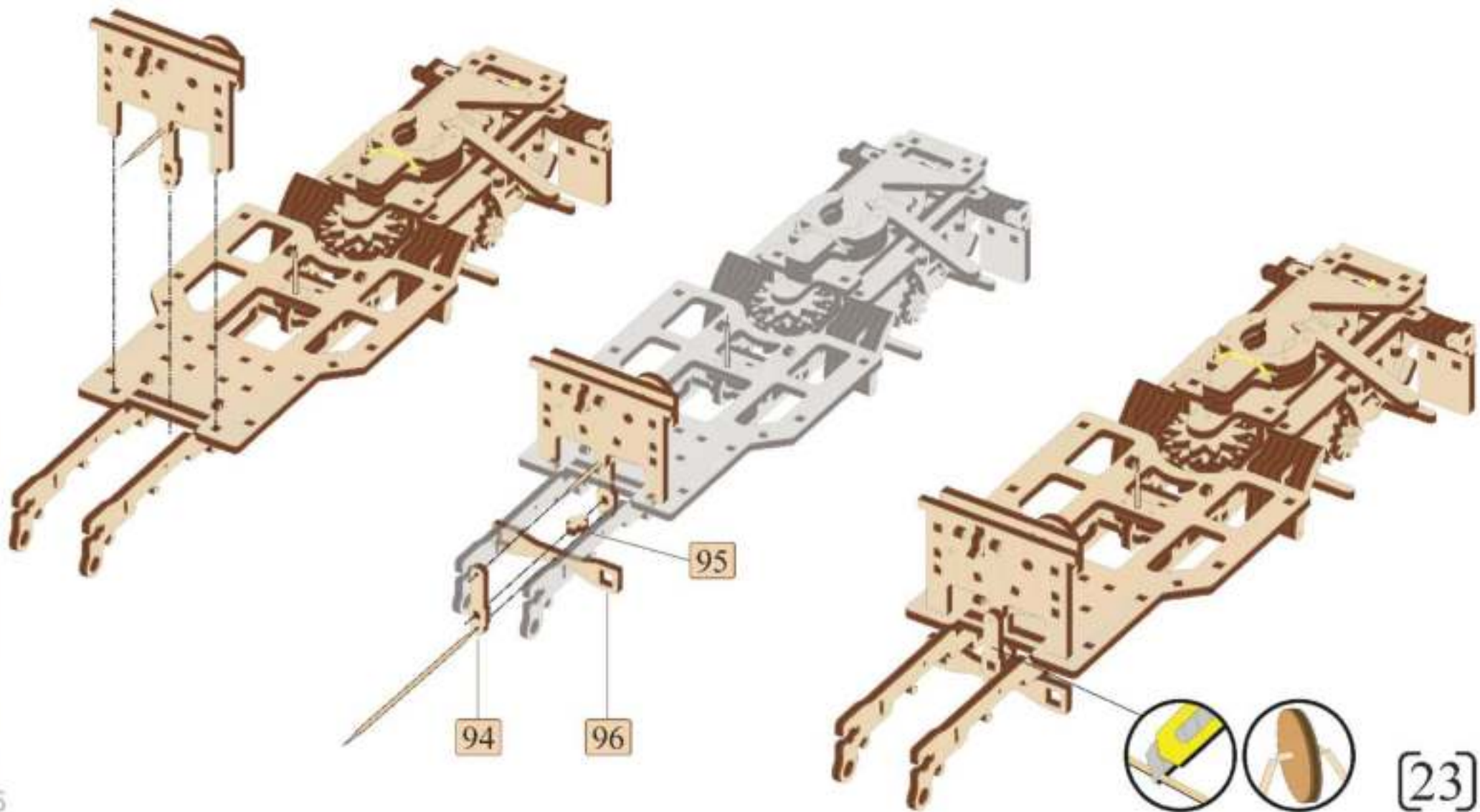
6



[22]



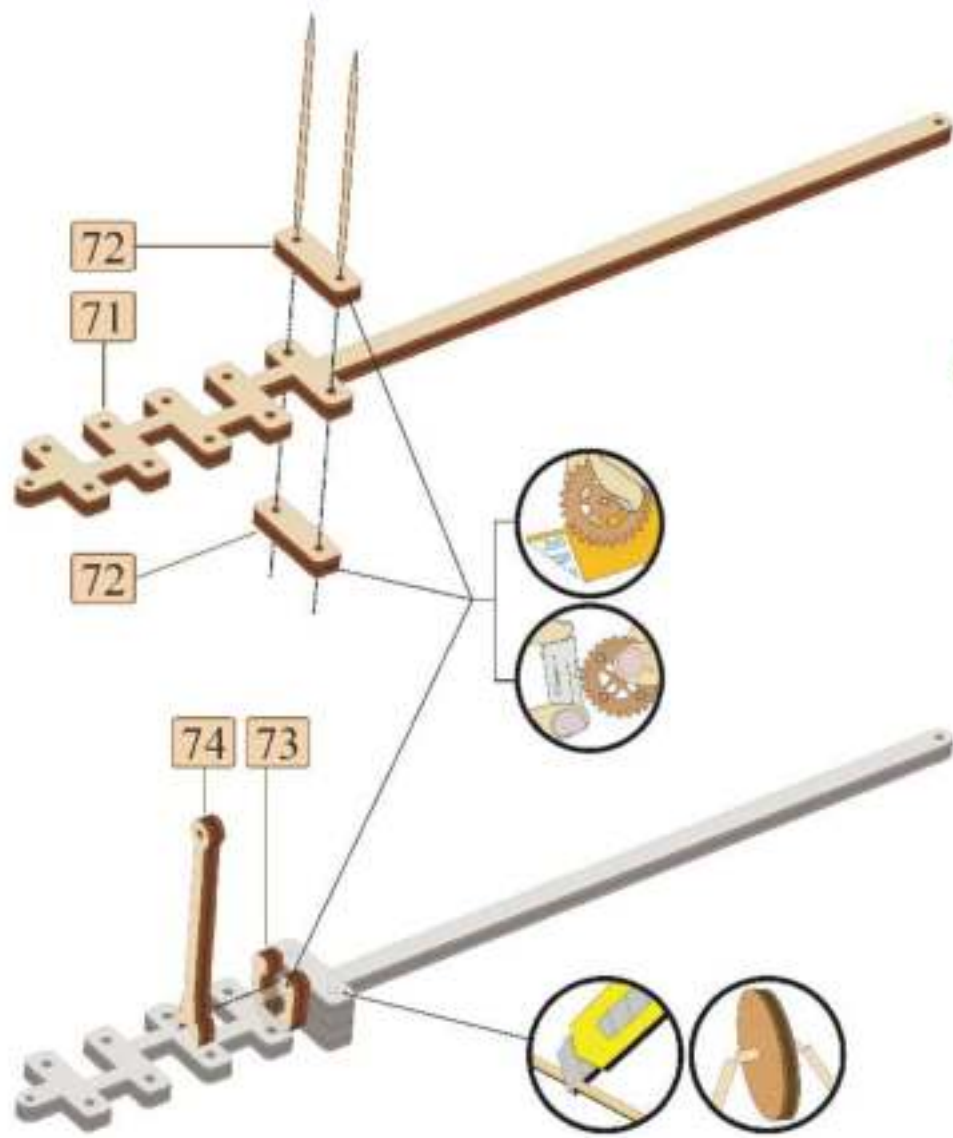
6



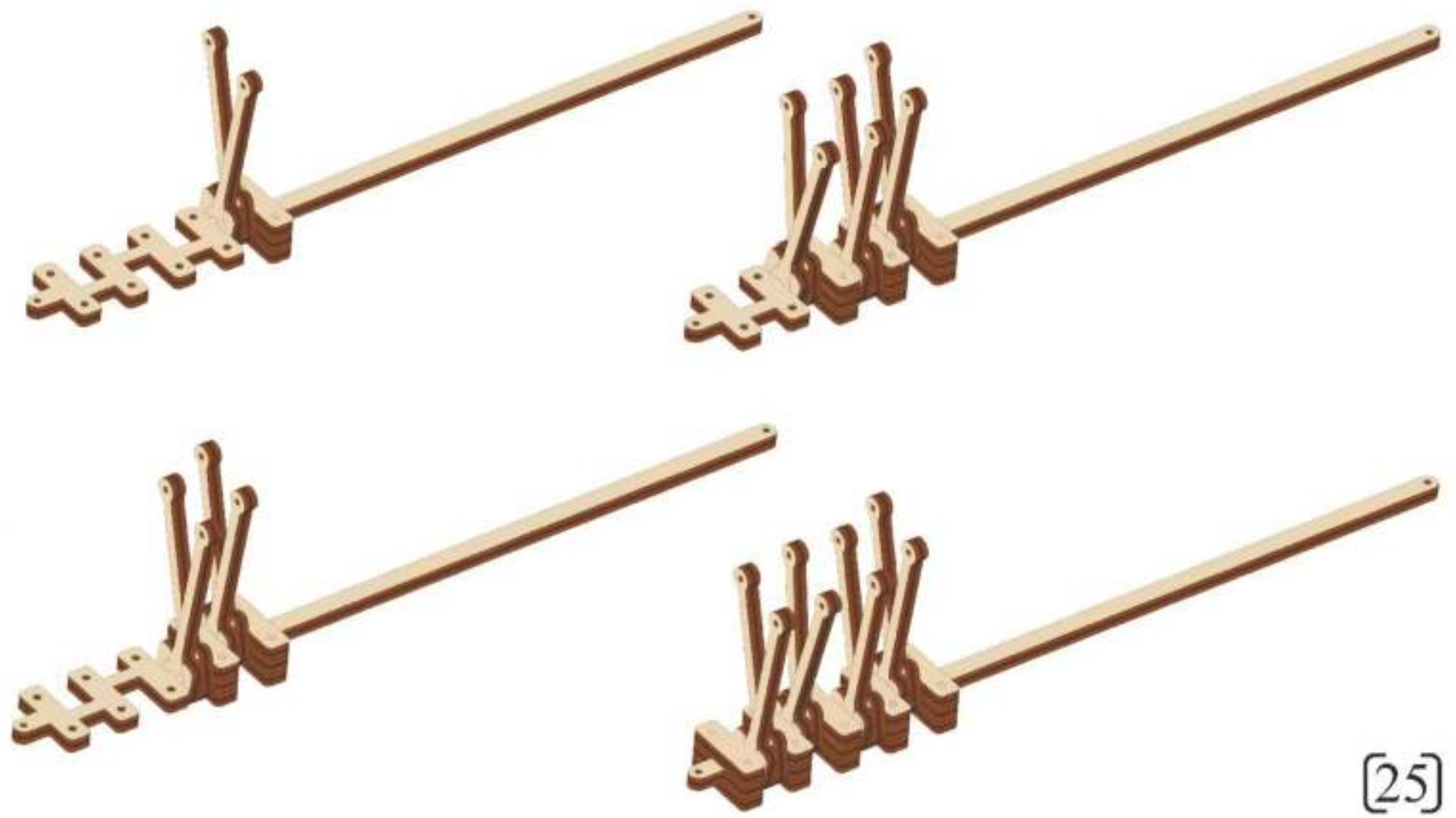
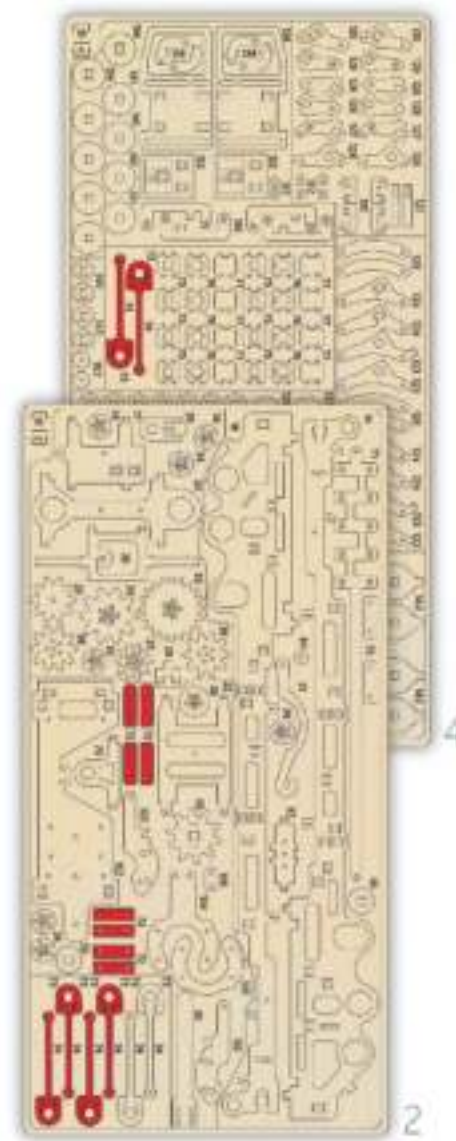
[23]

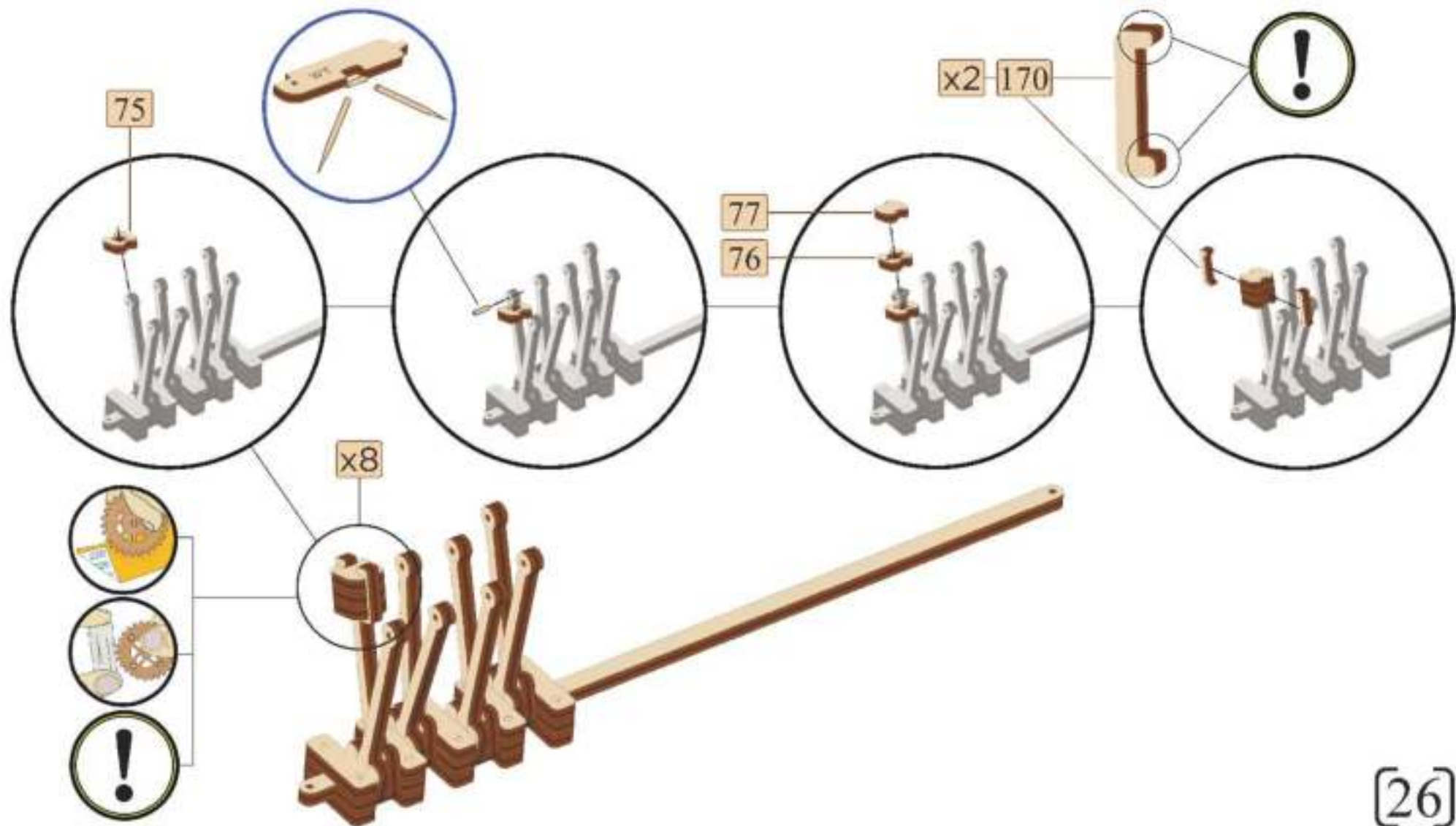


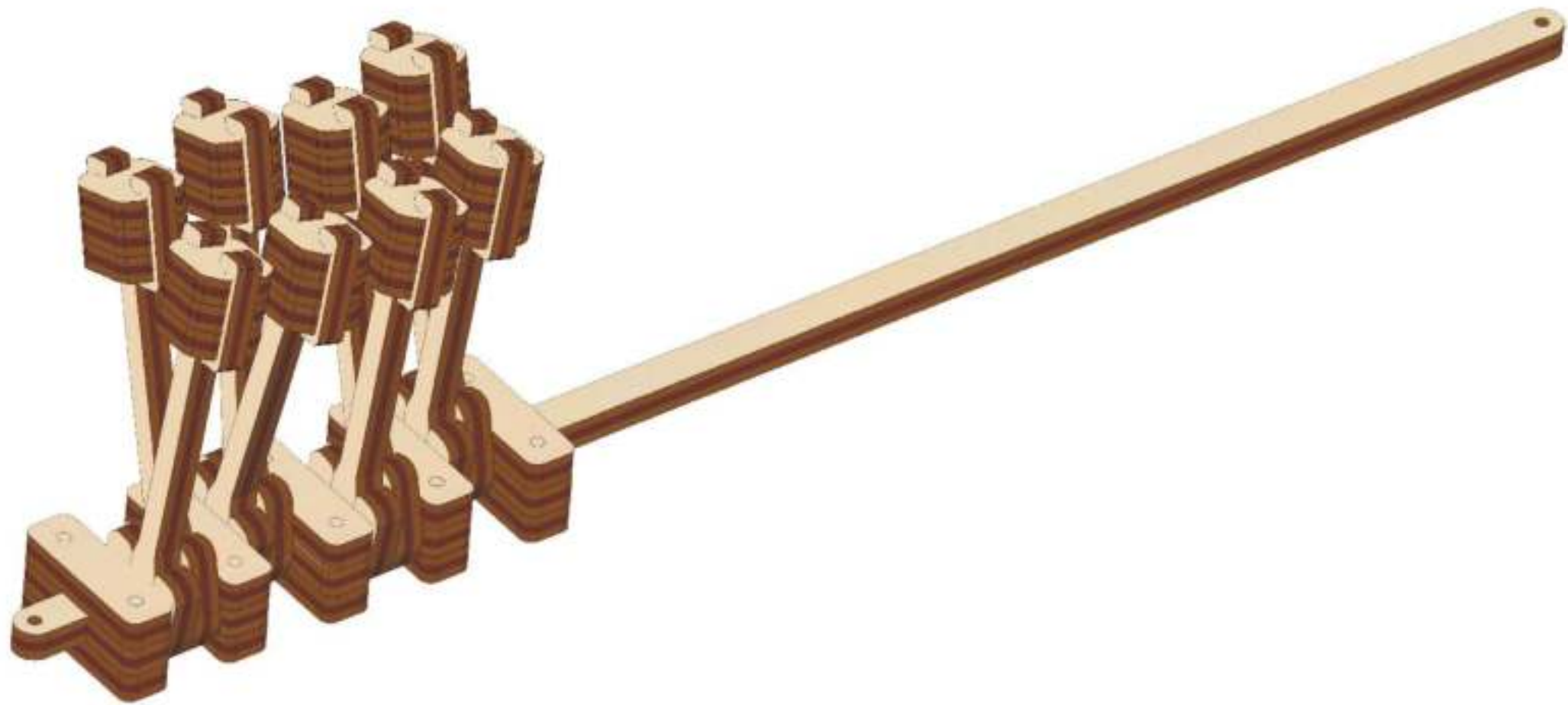
2



[24]

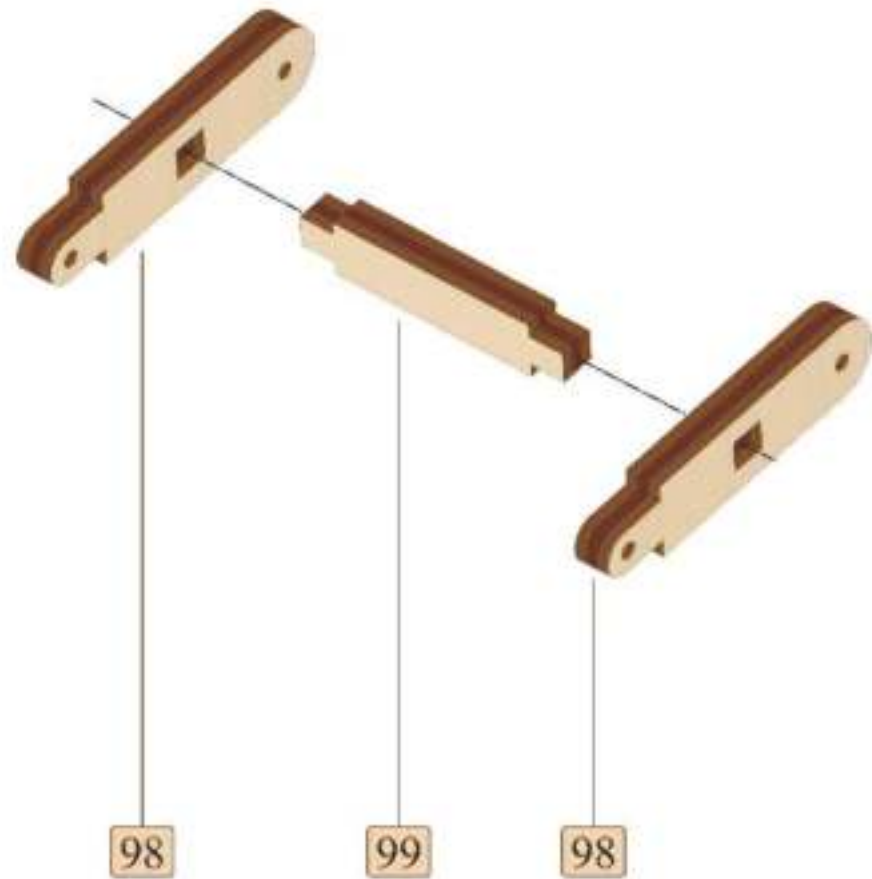






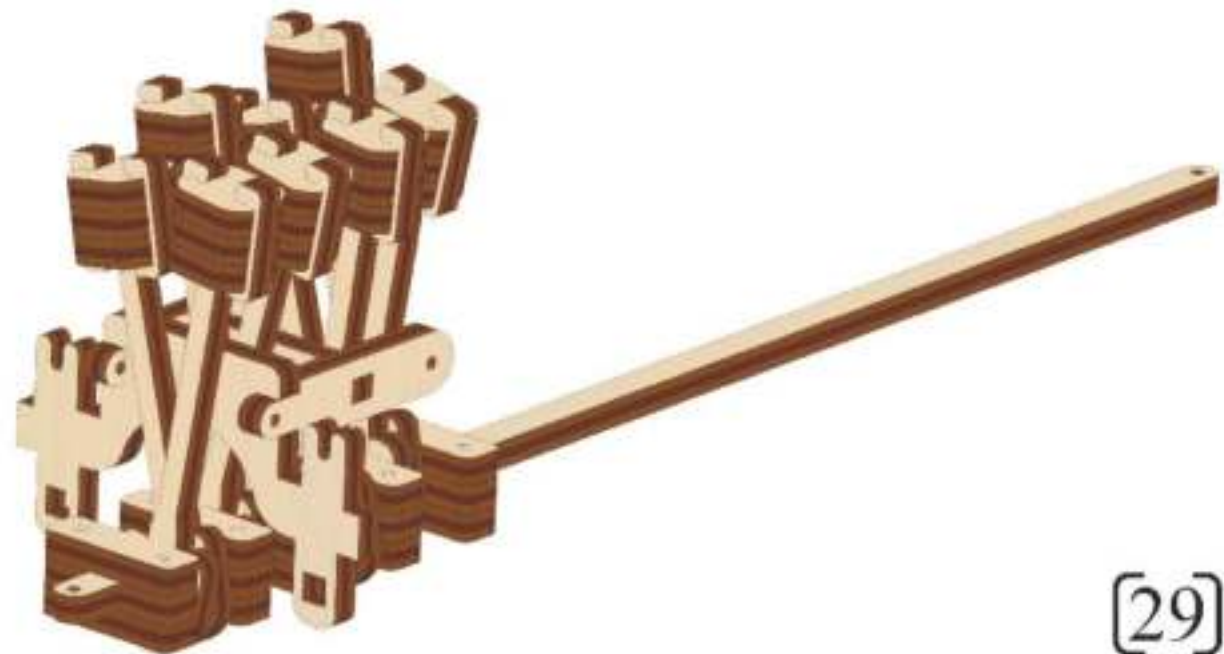
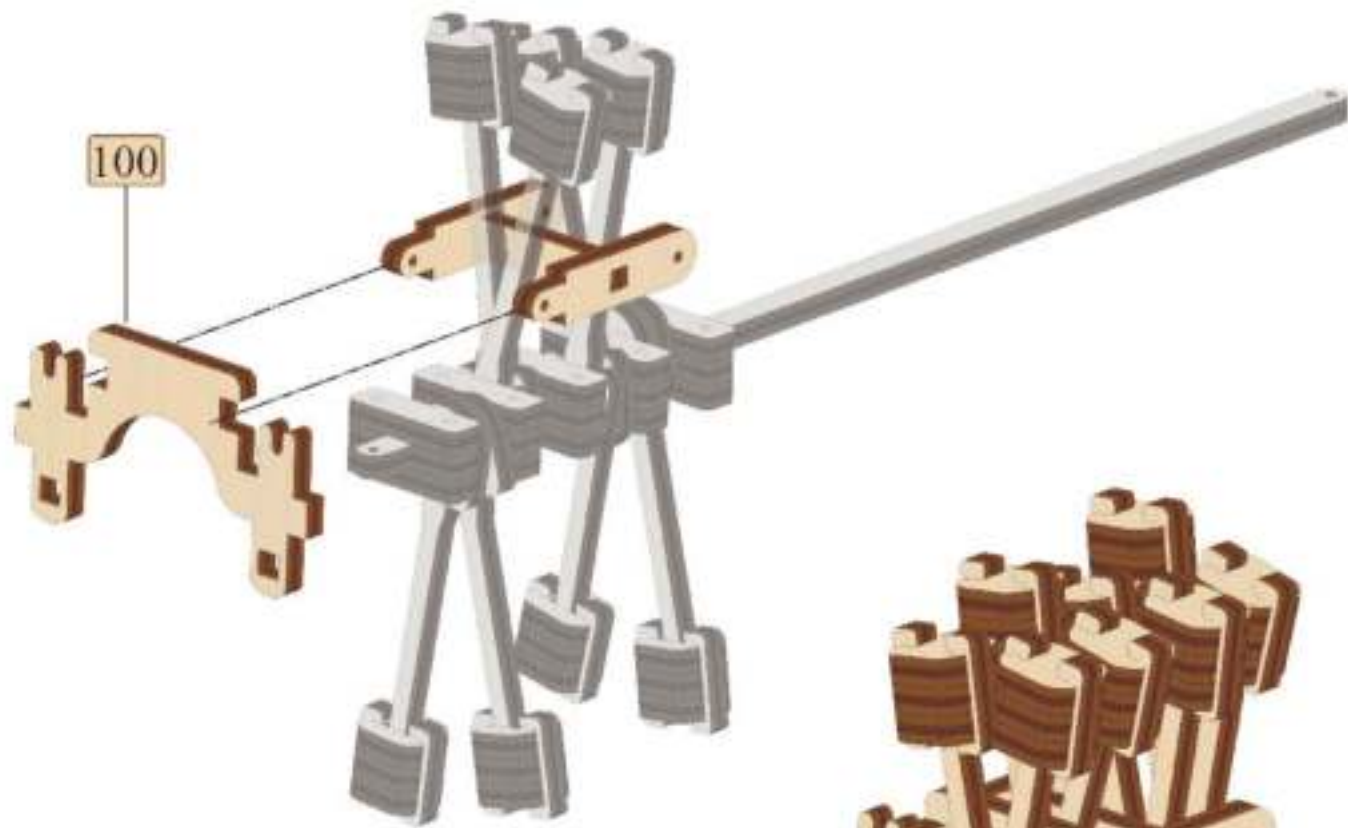


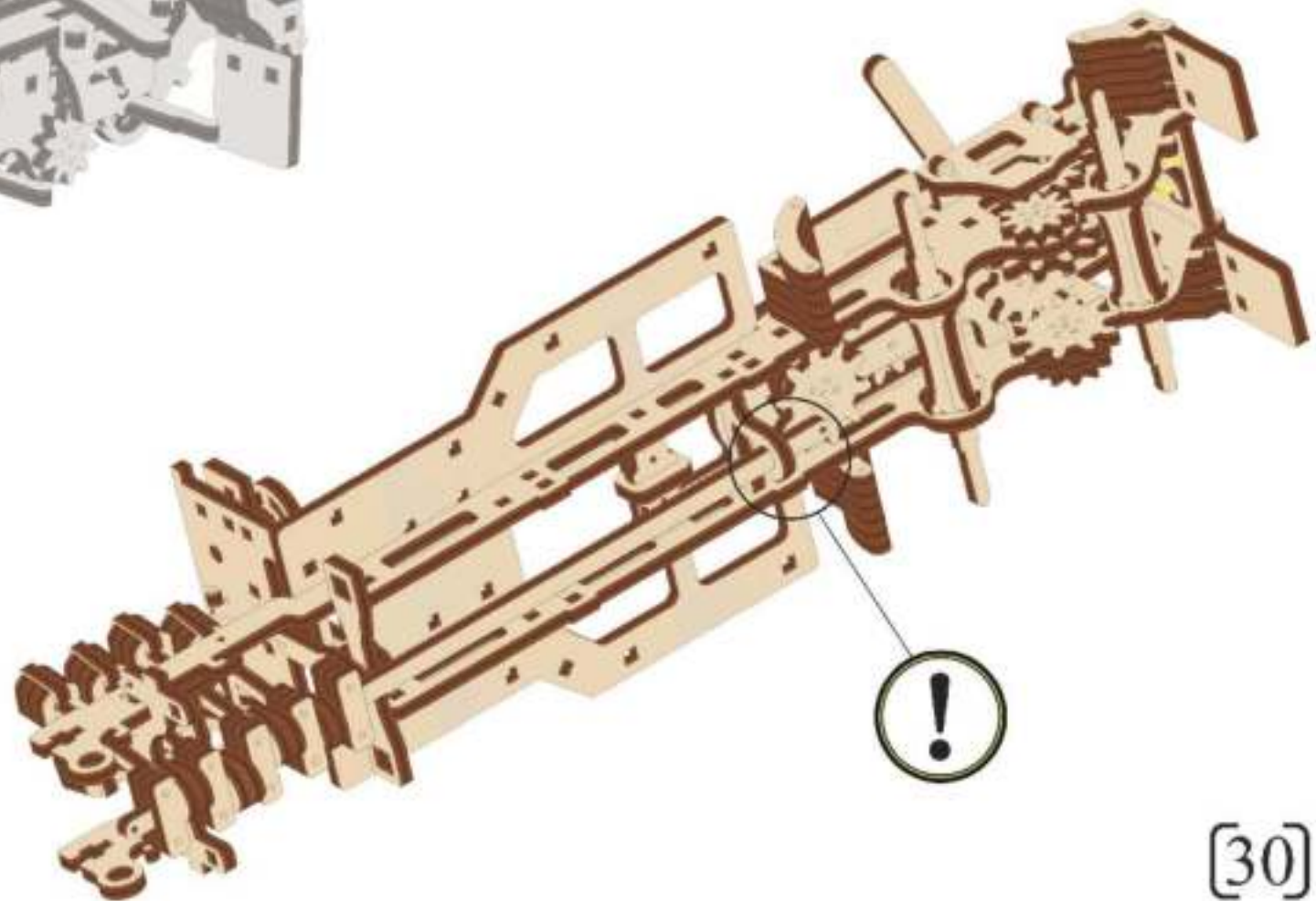
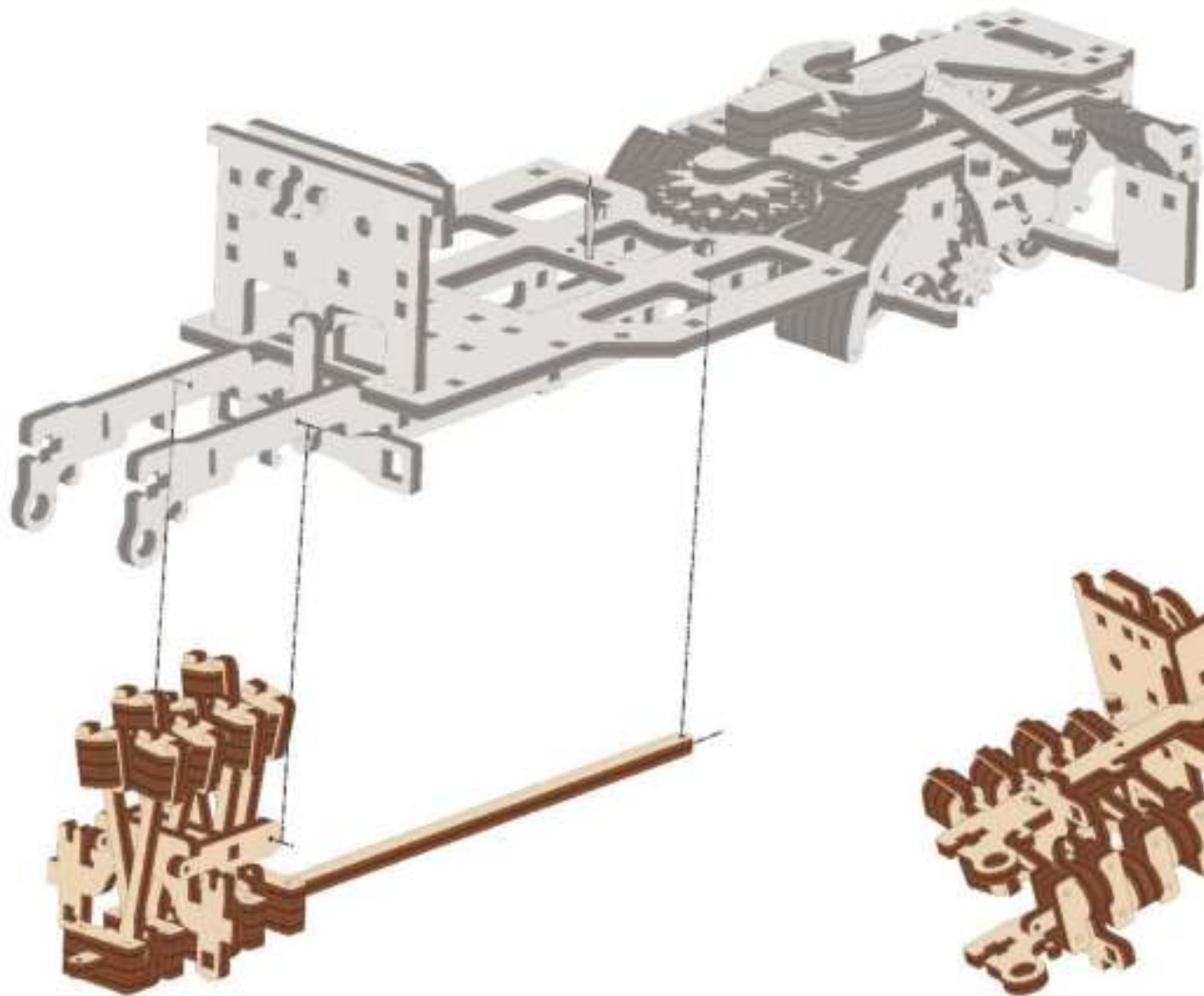
6

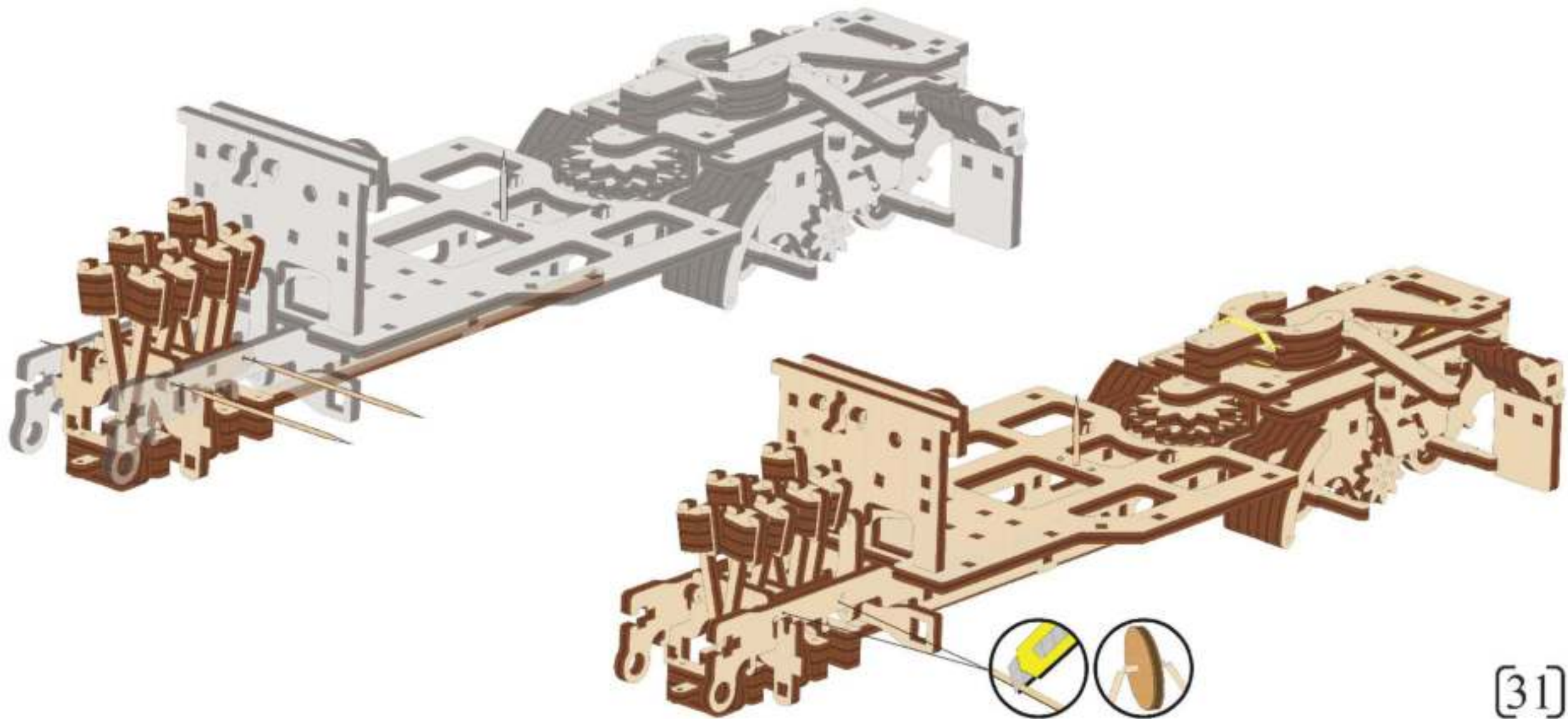


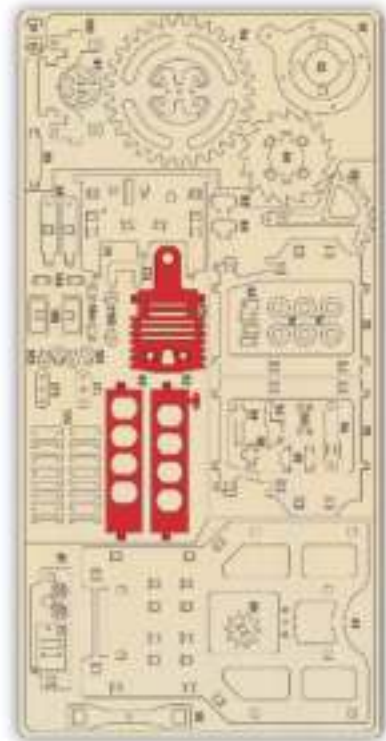


6

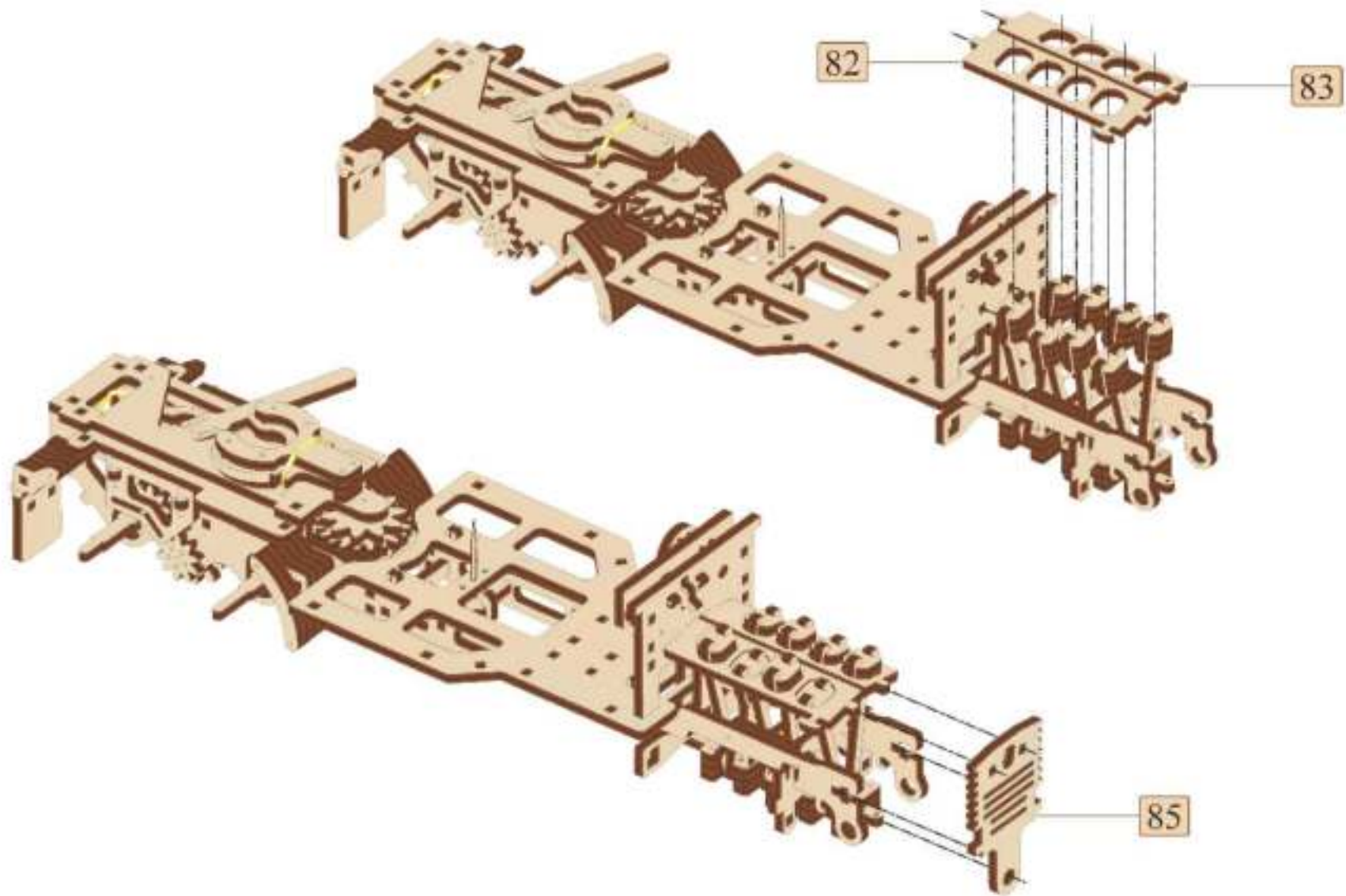


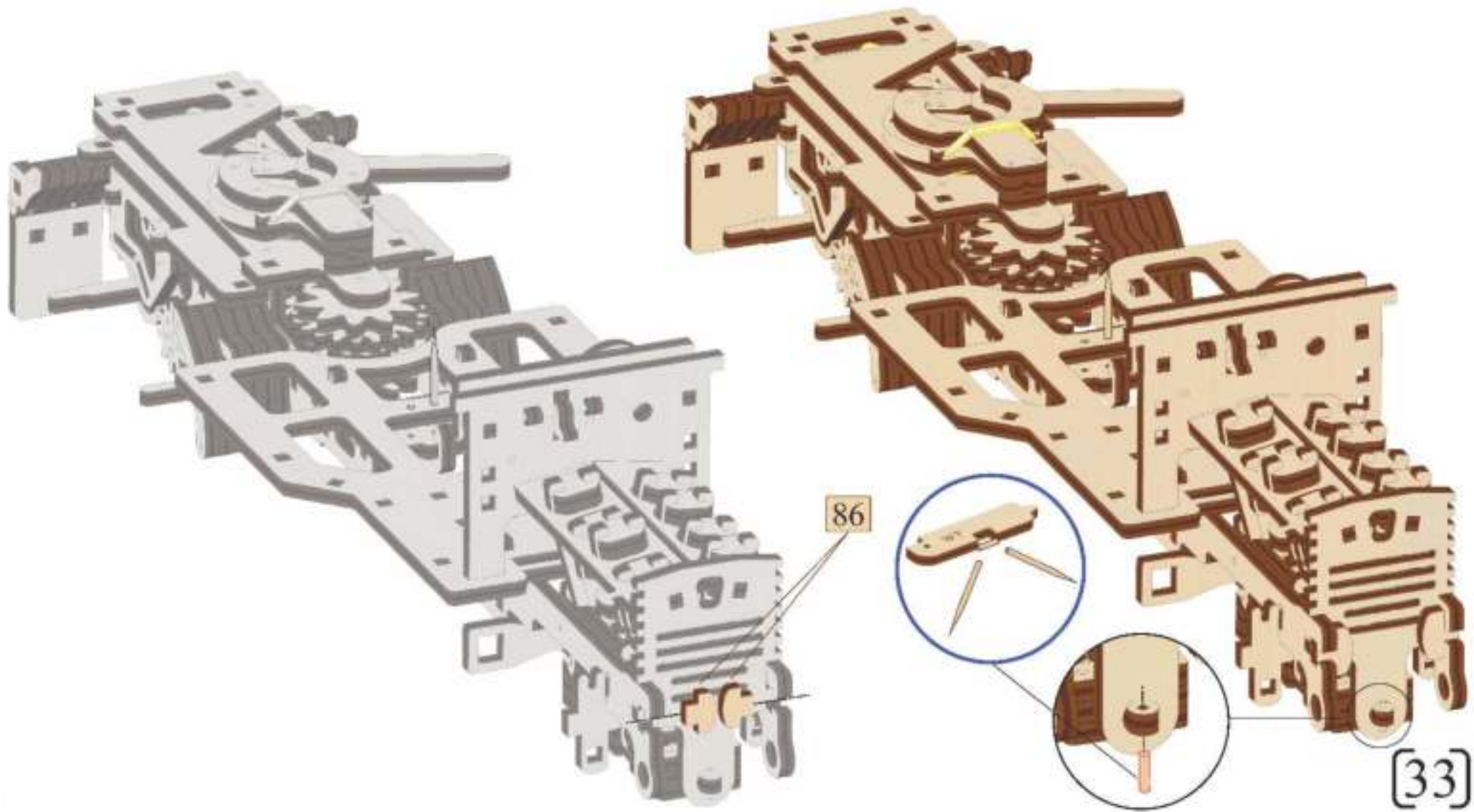


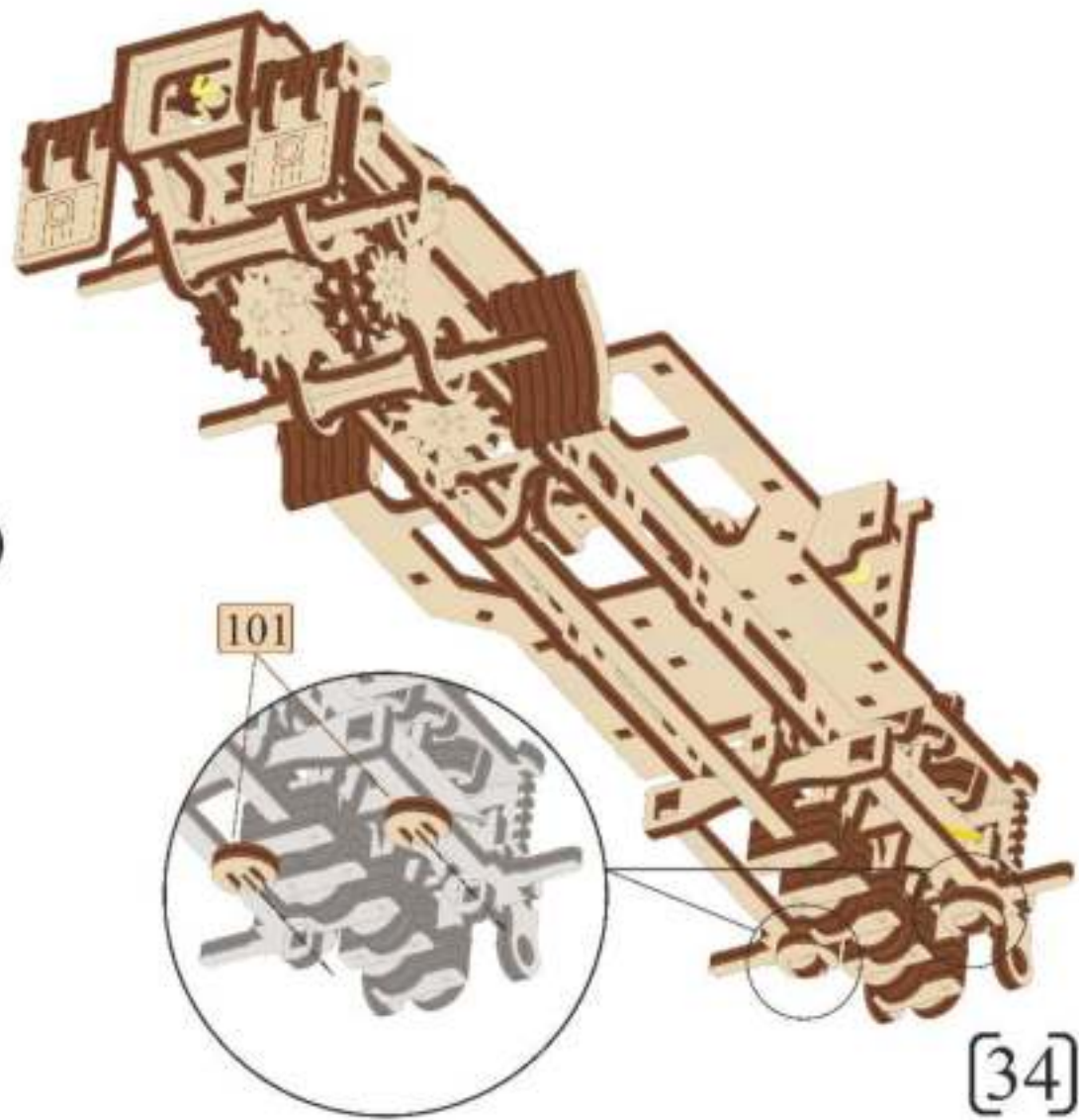
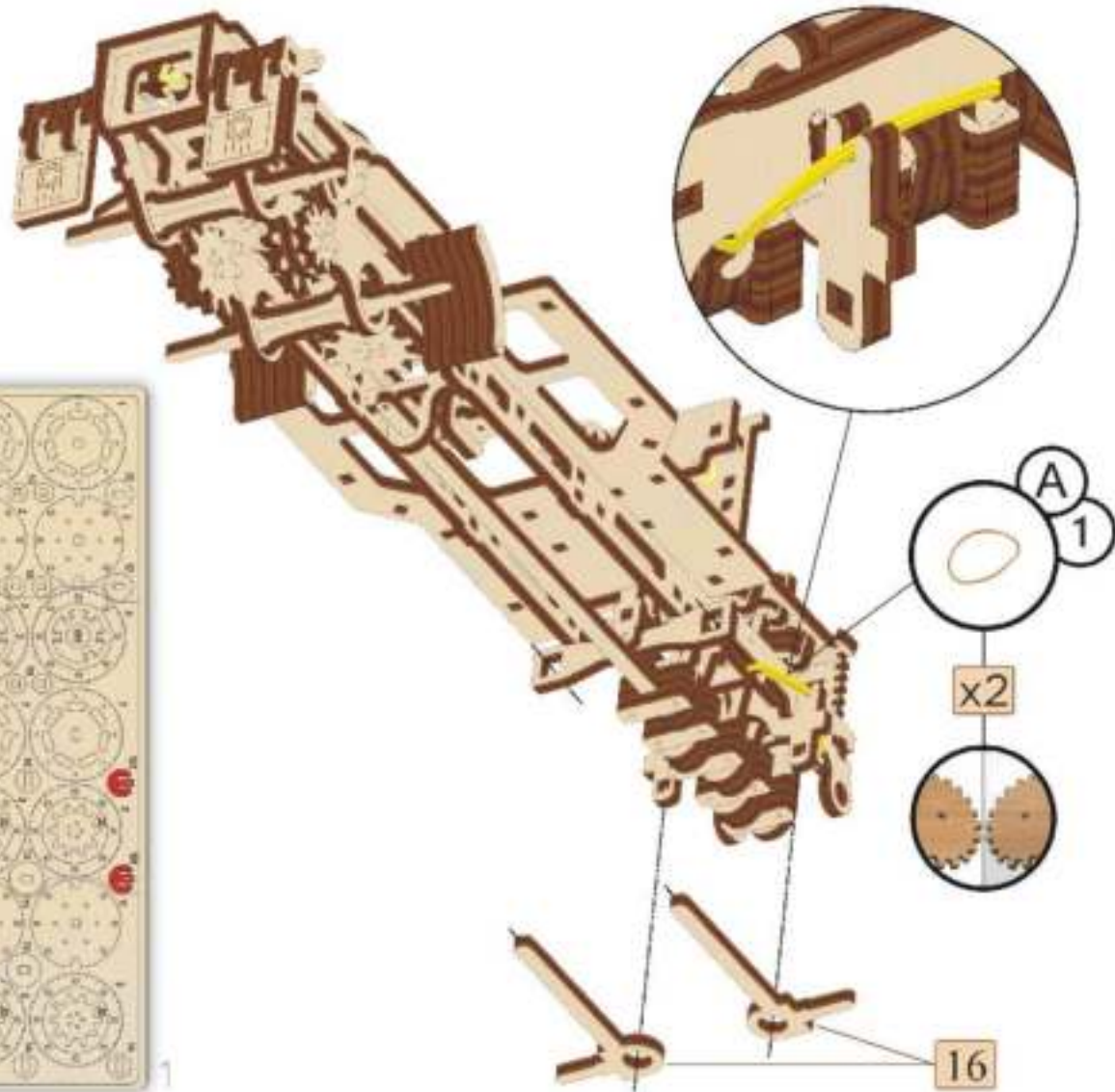


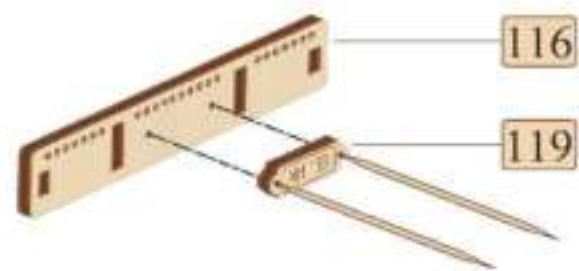


6



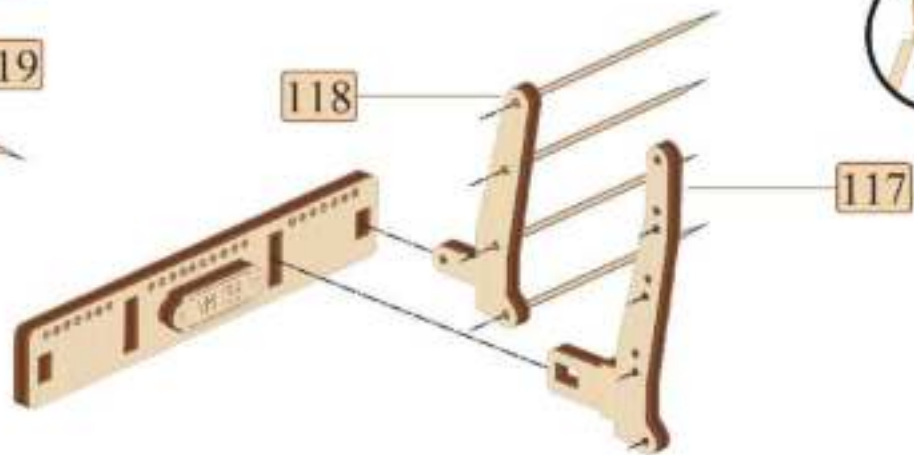






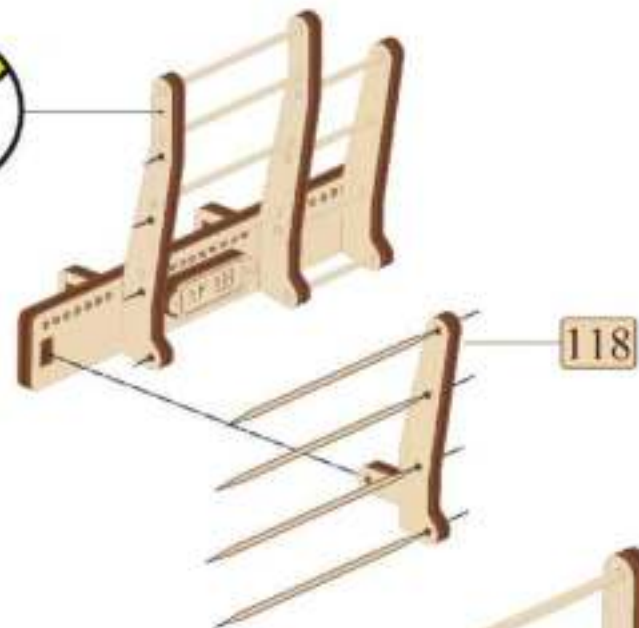
116

119

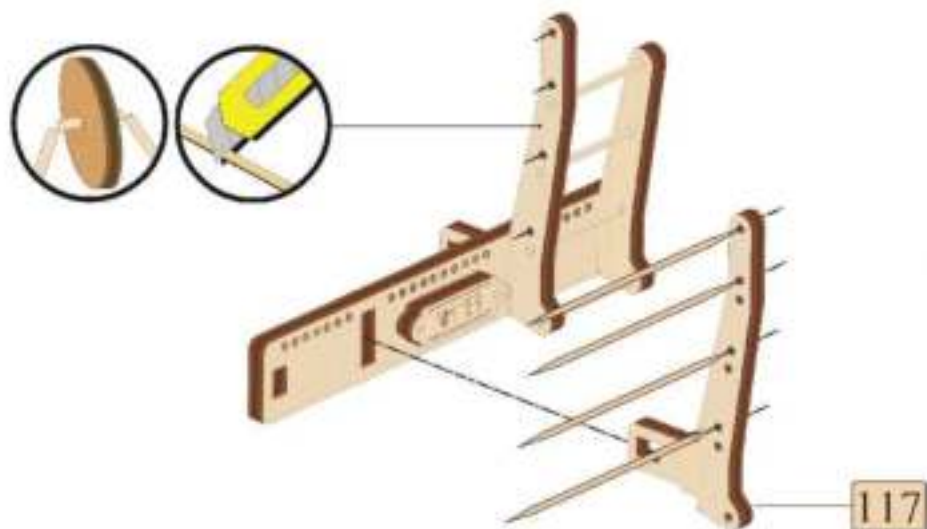


118

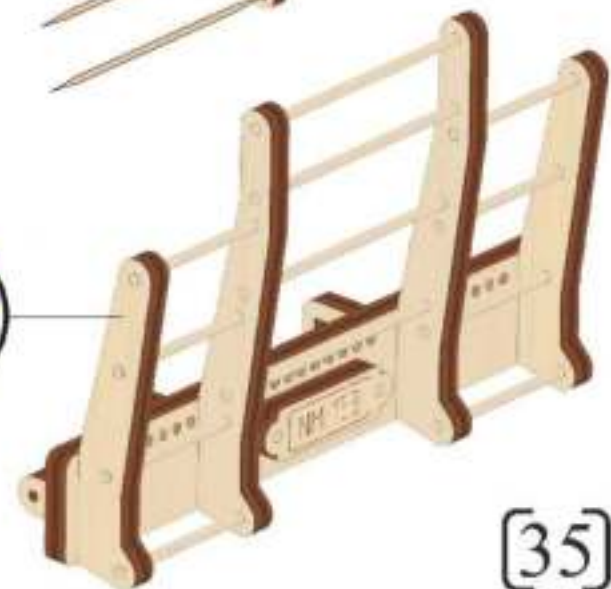
117



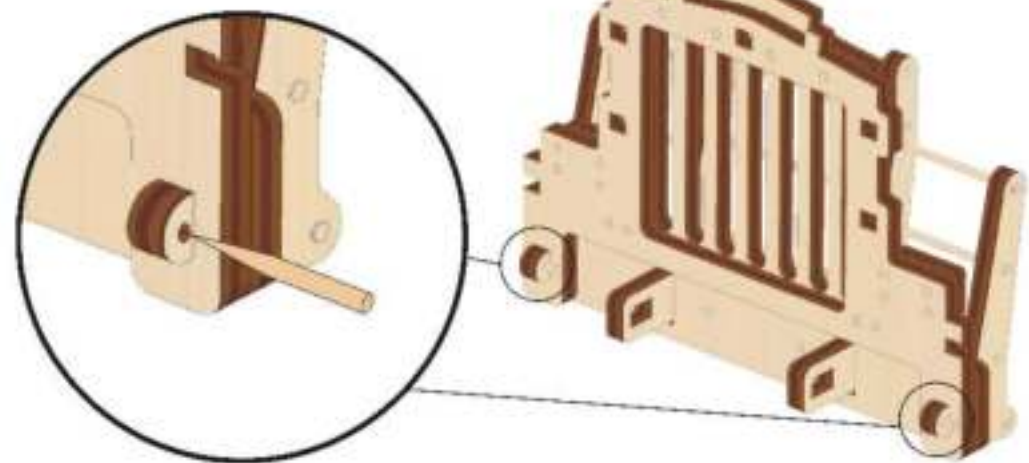
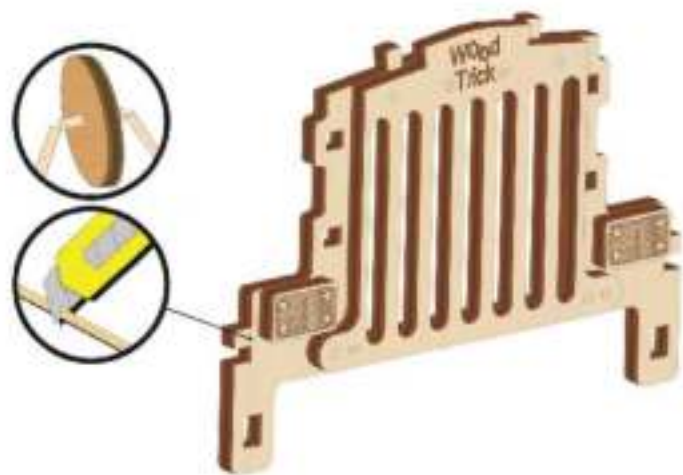
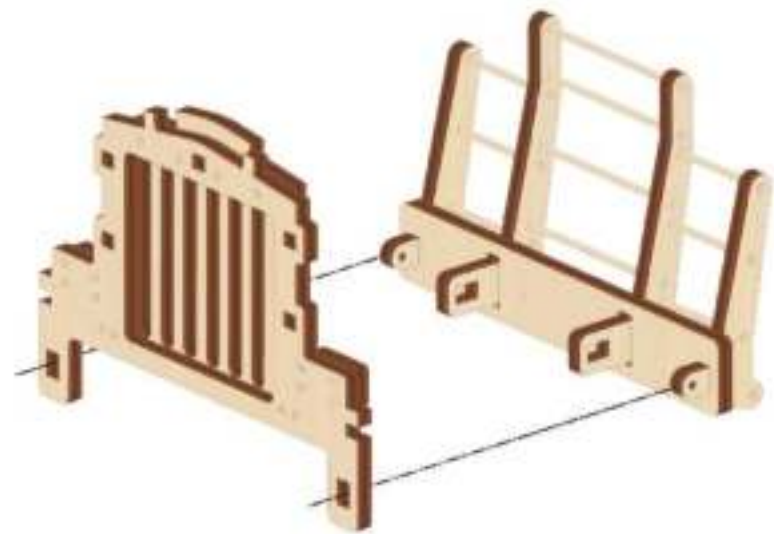
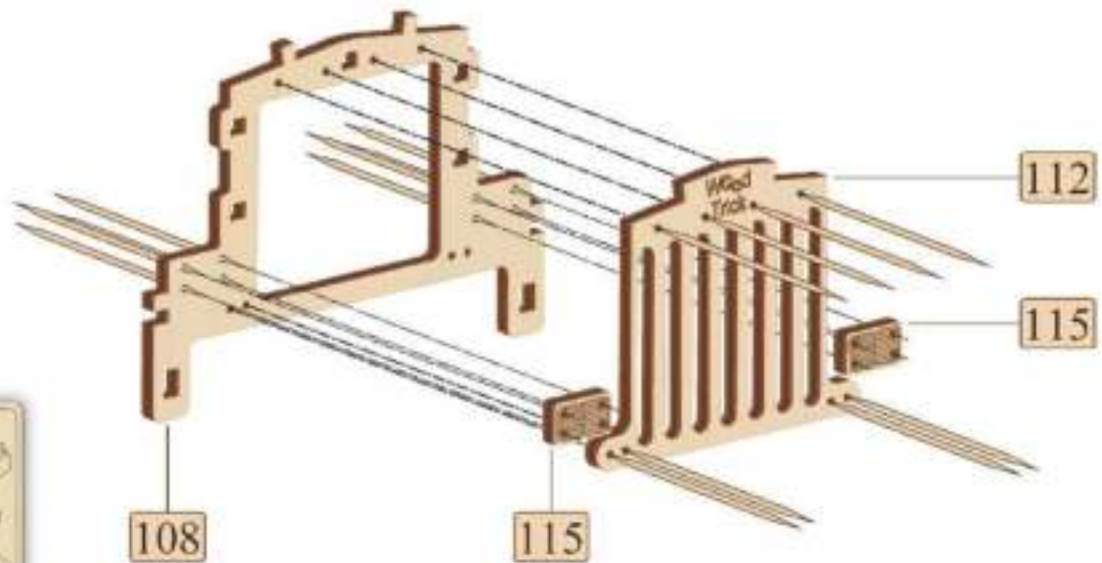
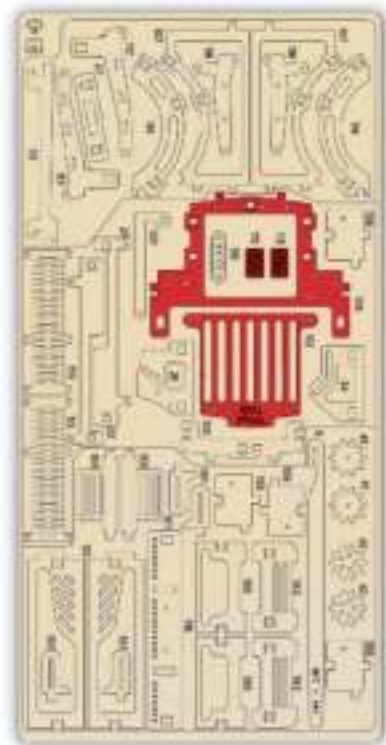
118

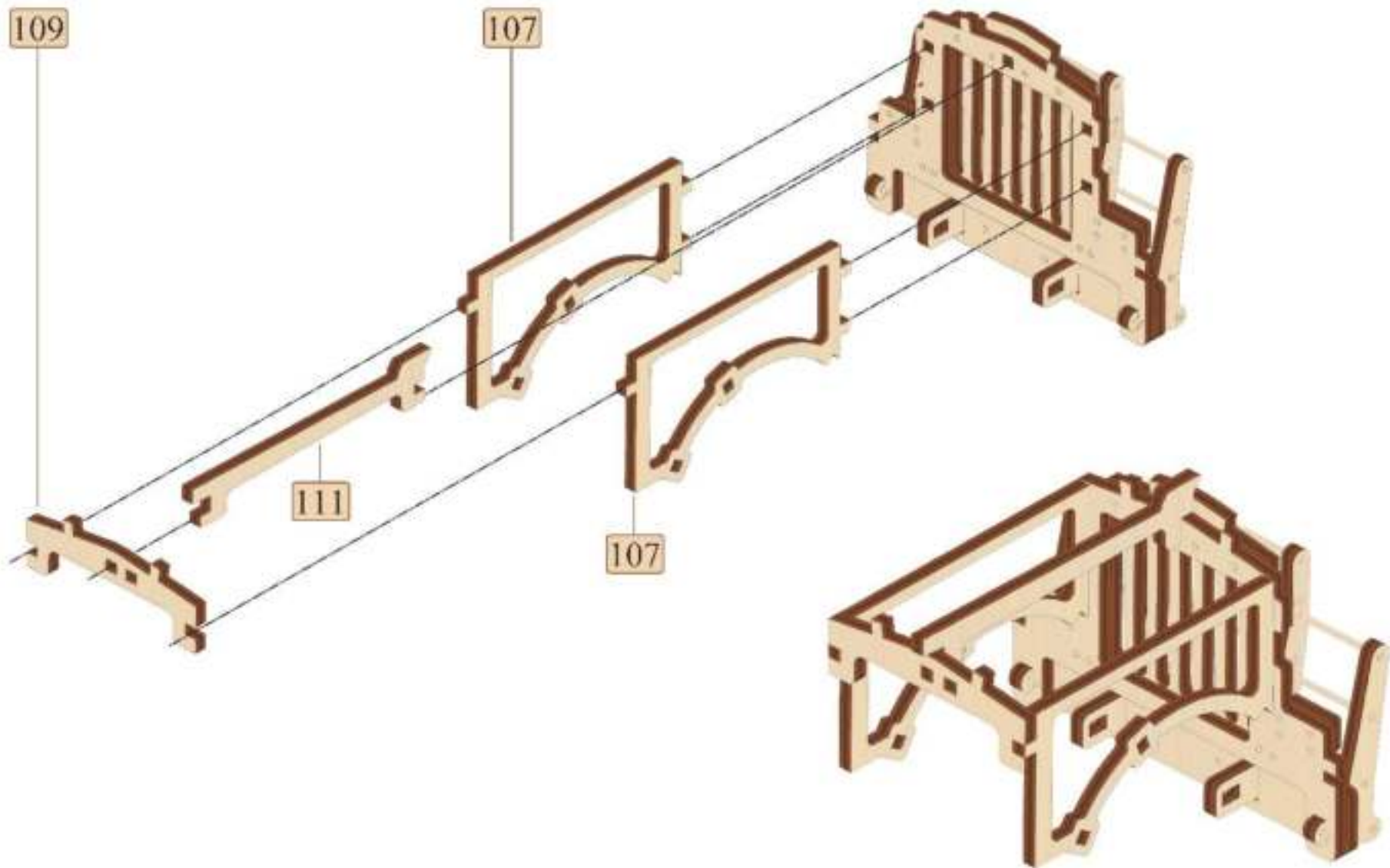
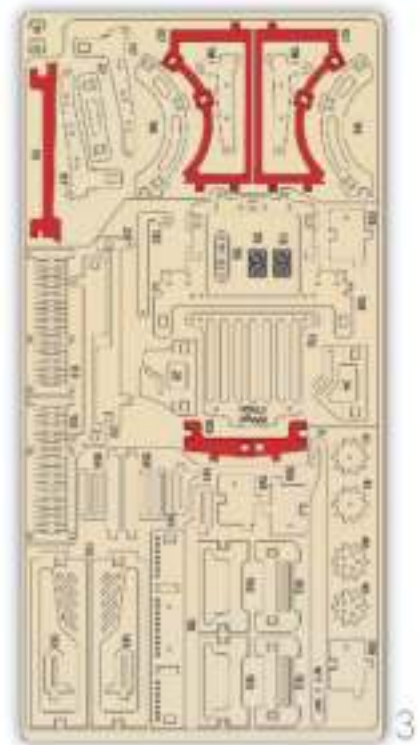


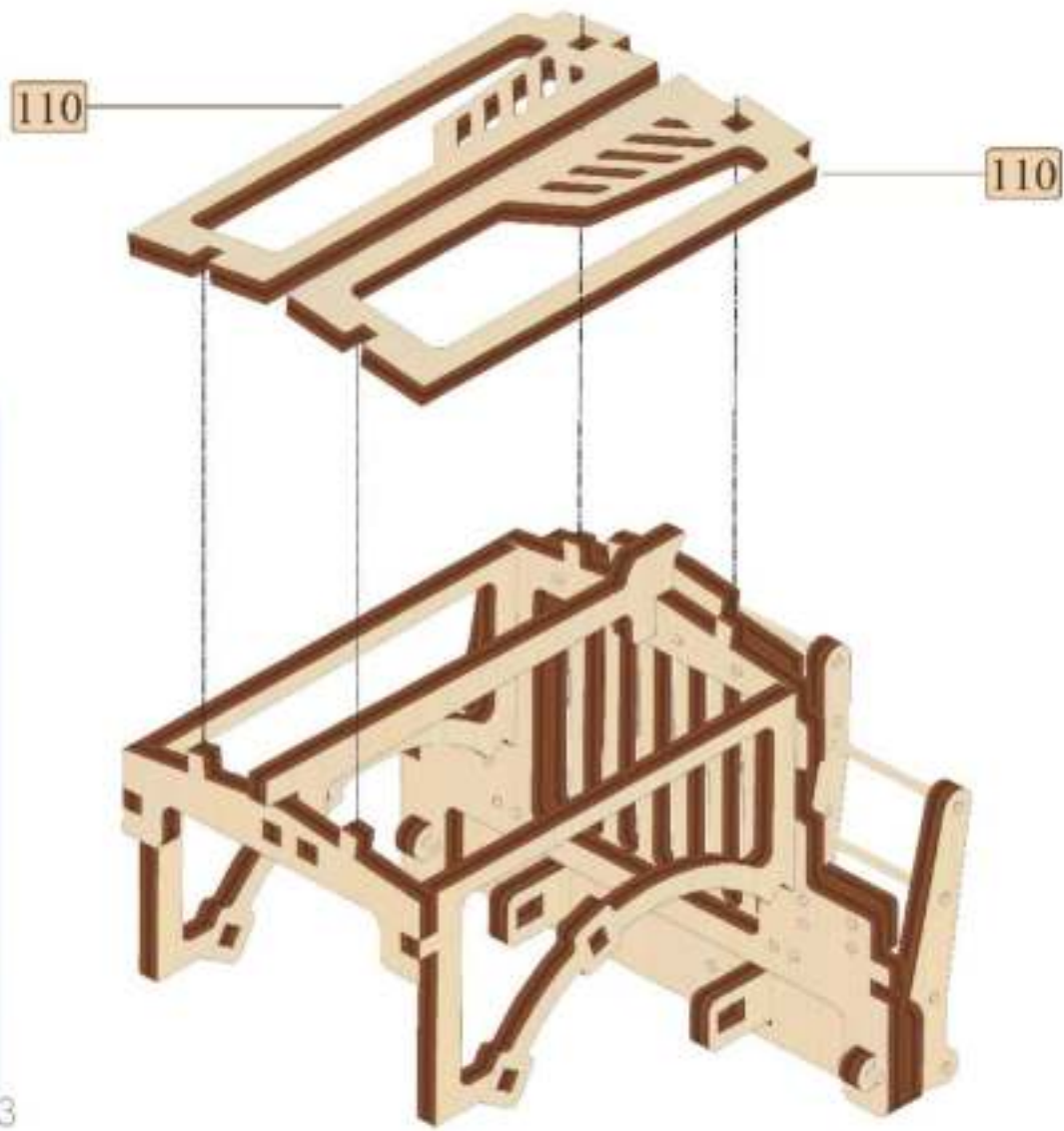
117

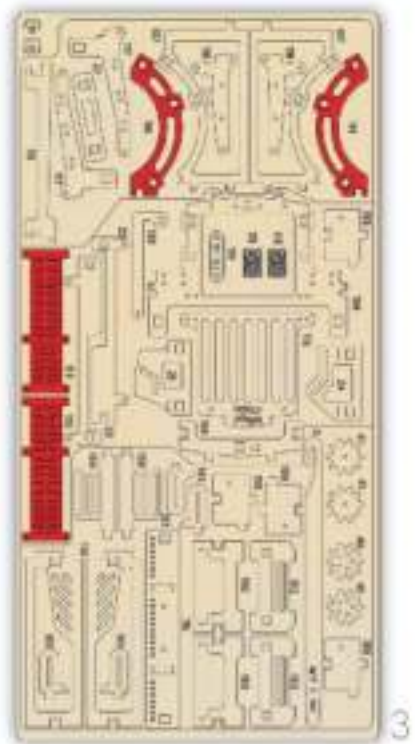
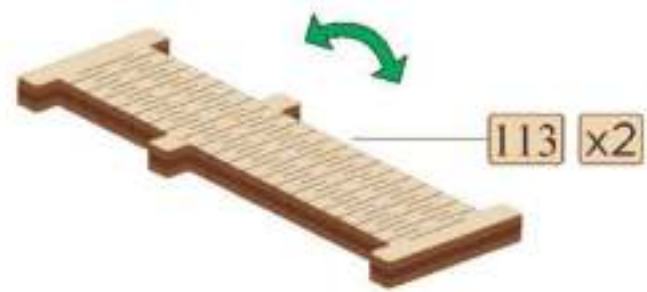


CO





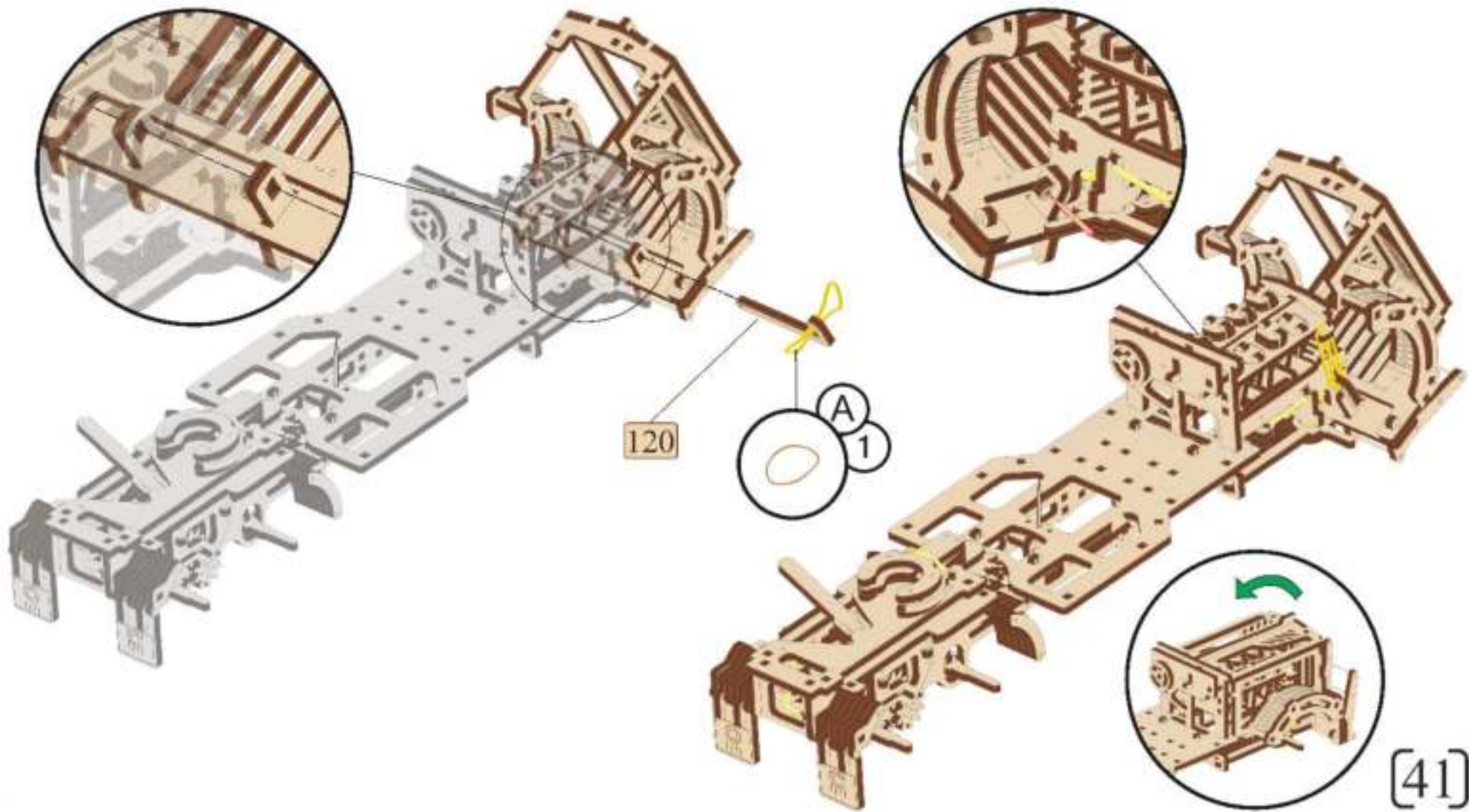




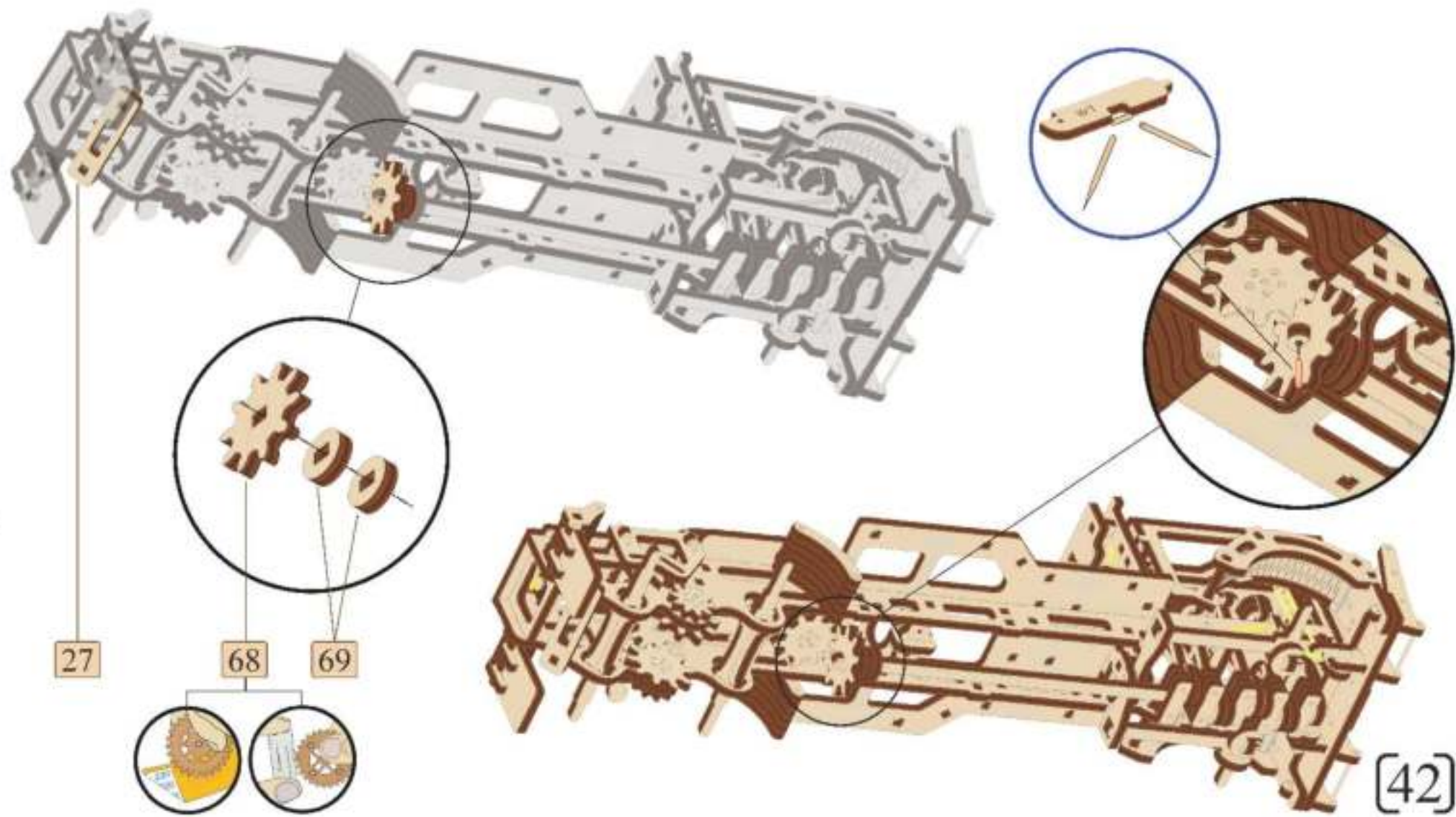


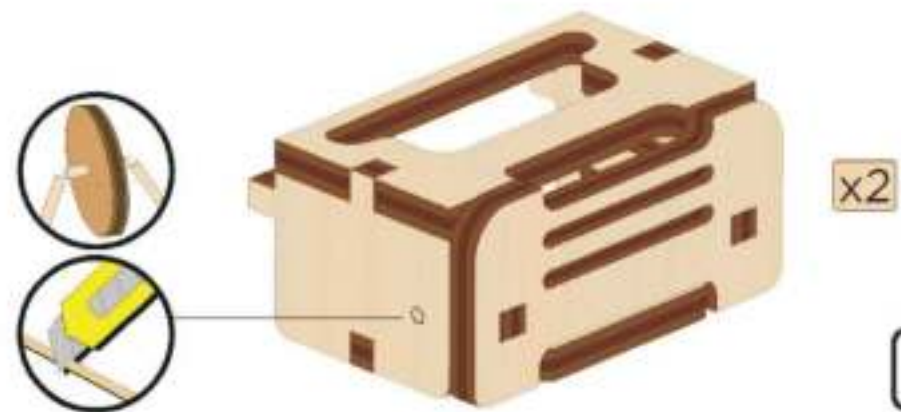
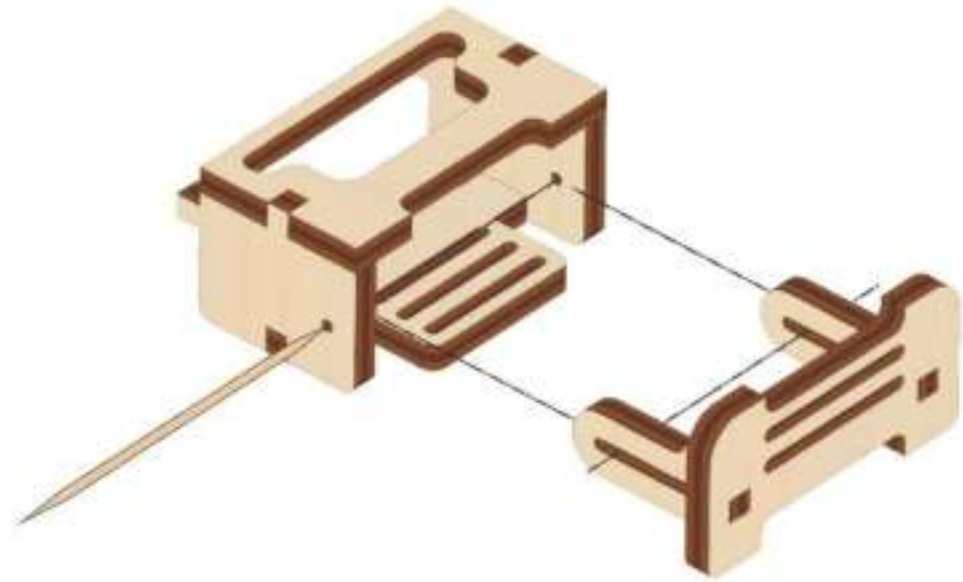
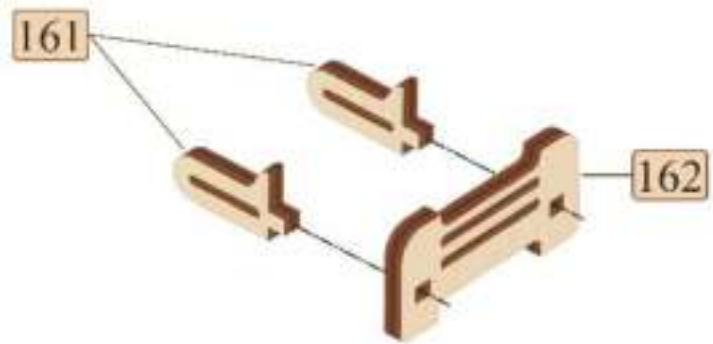
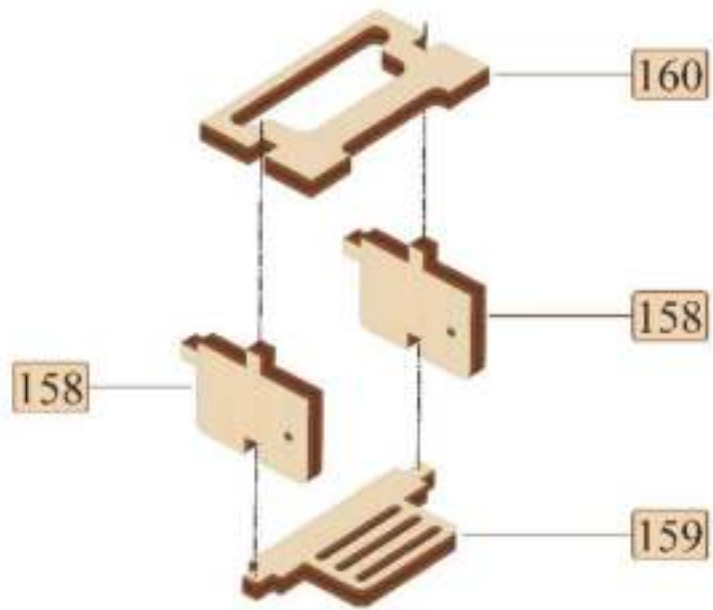


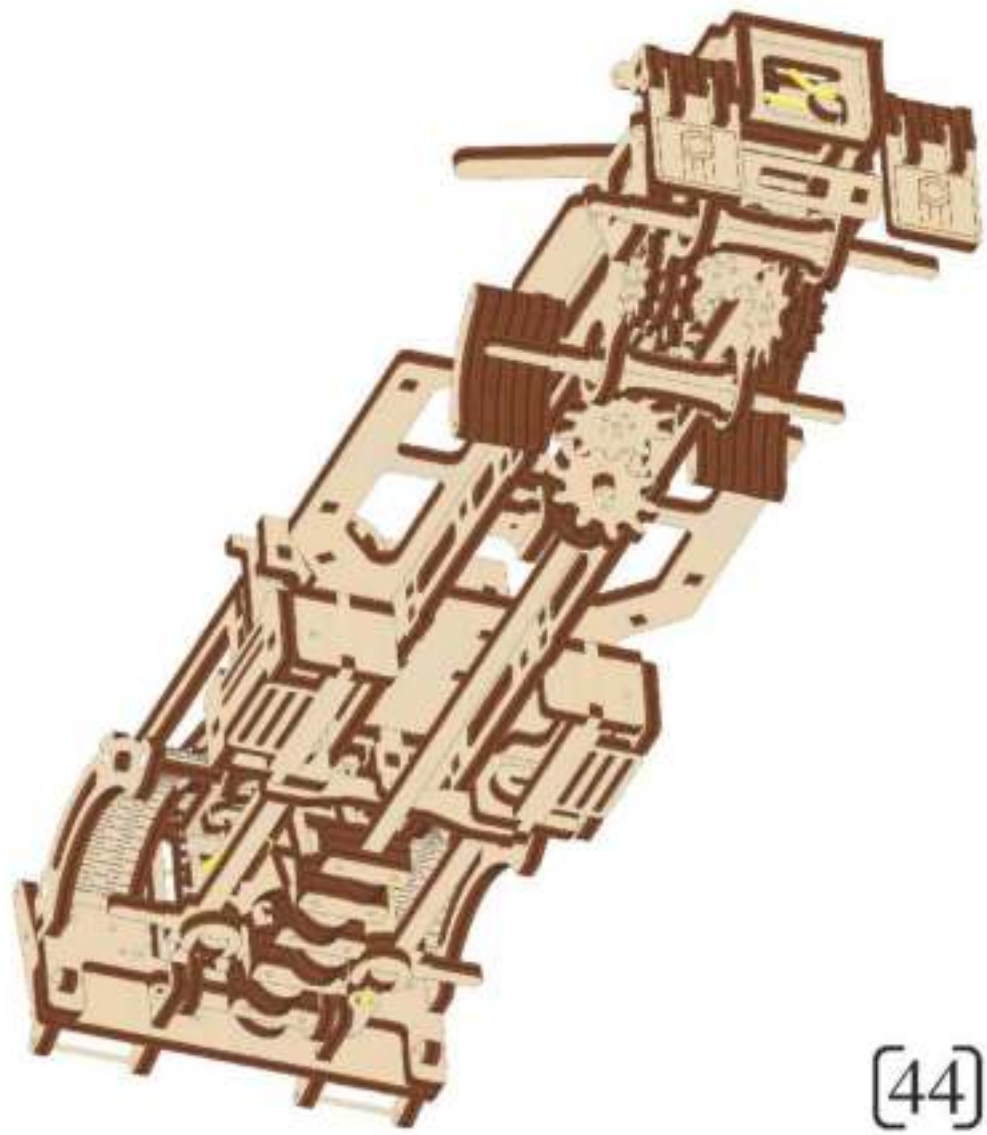
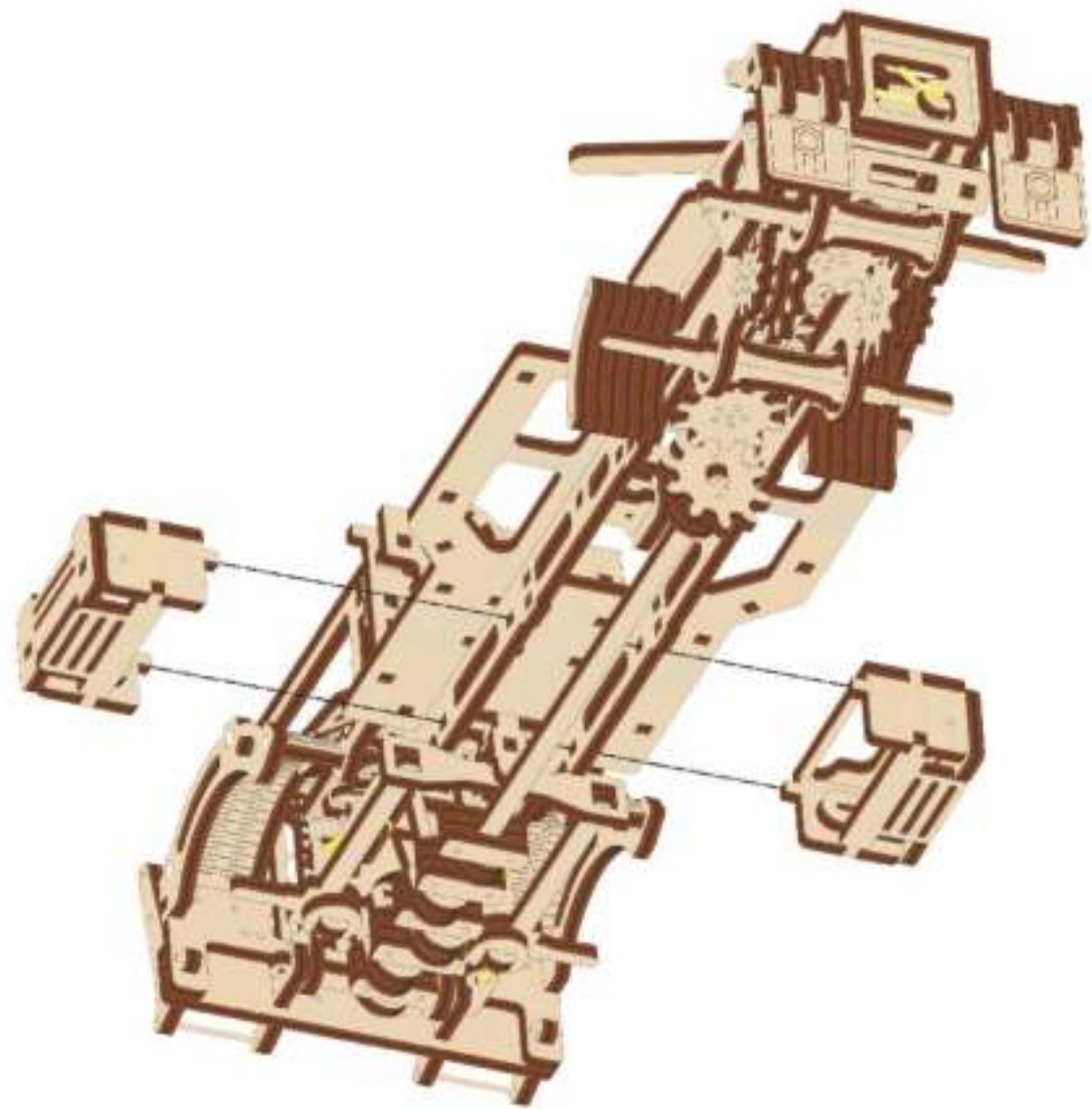
63

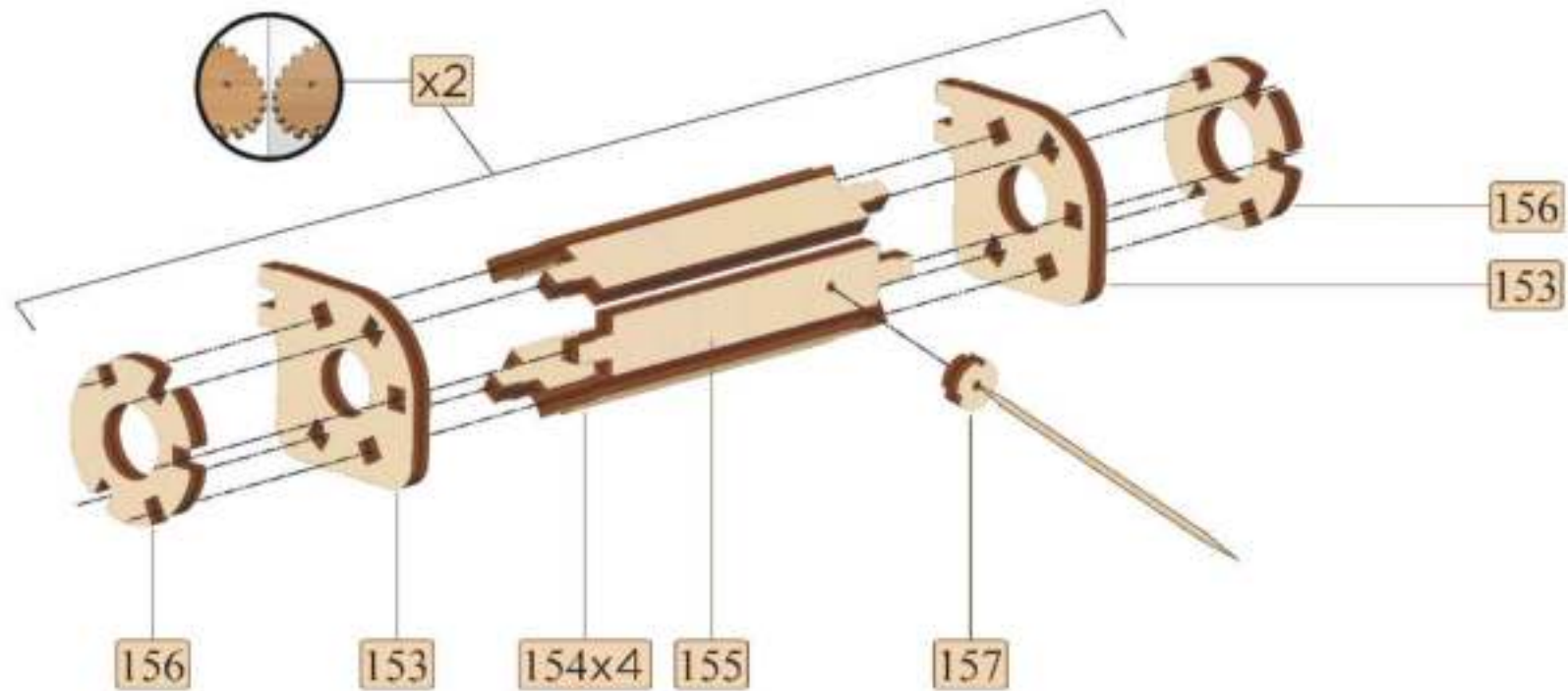


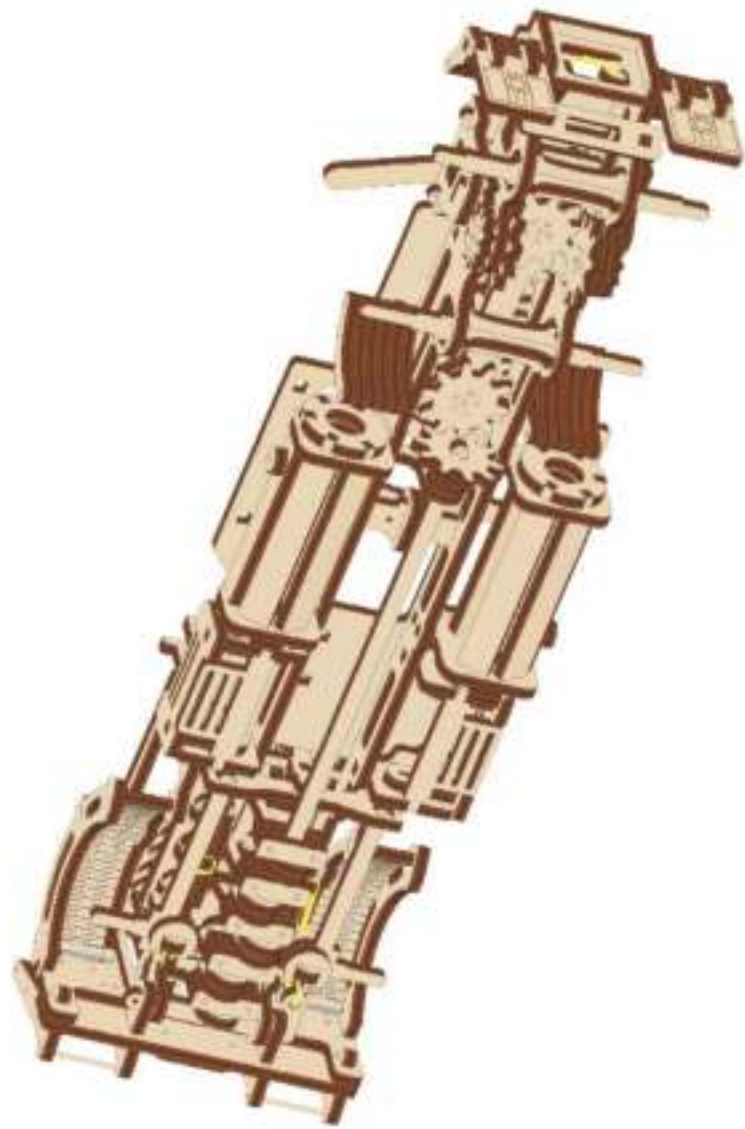
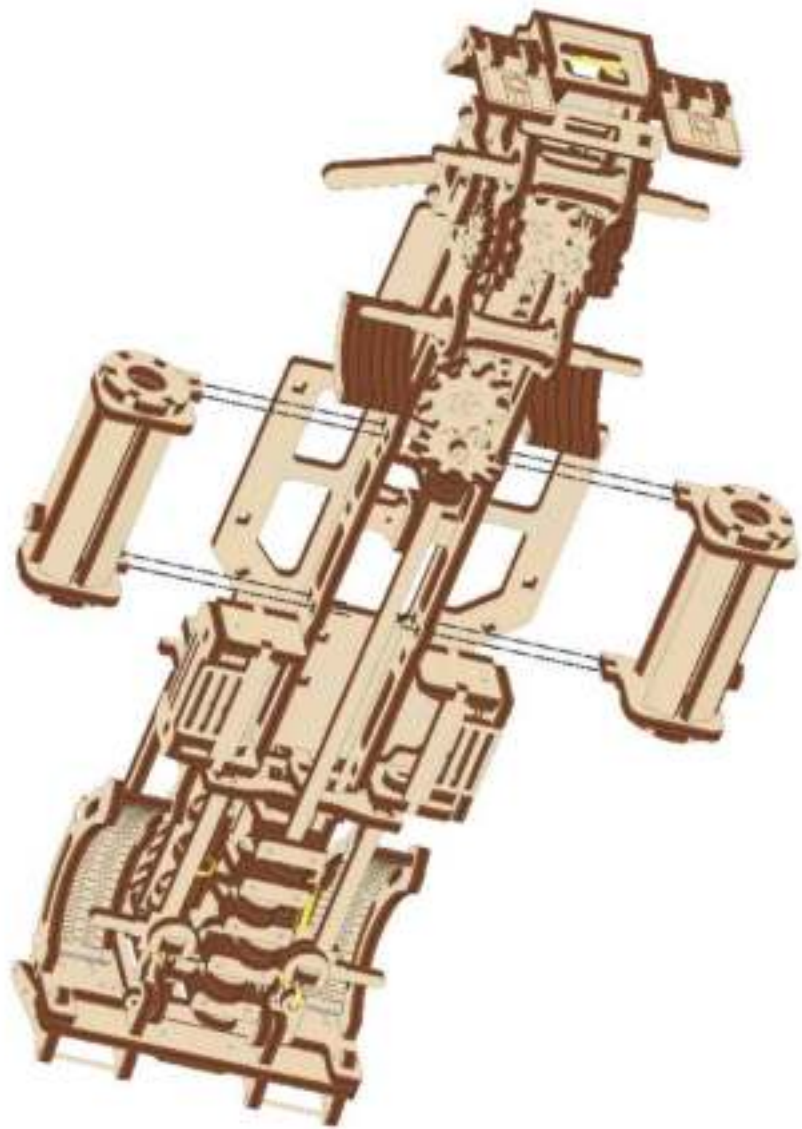
[41]

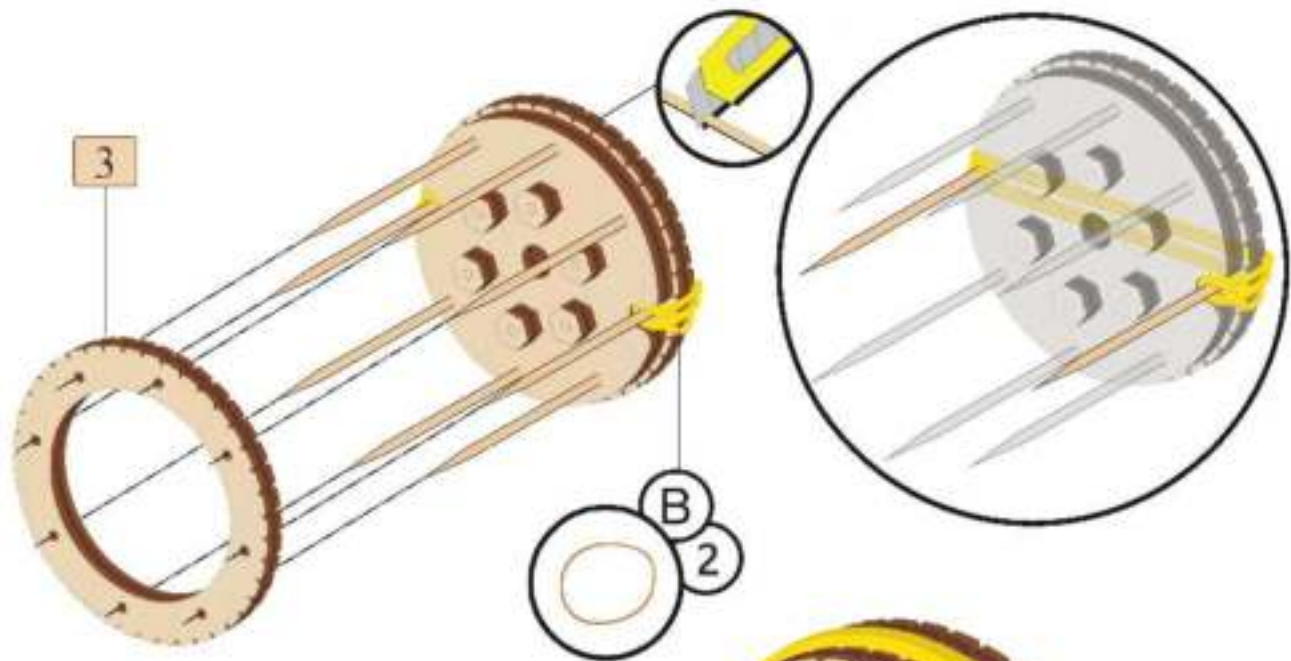
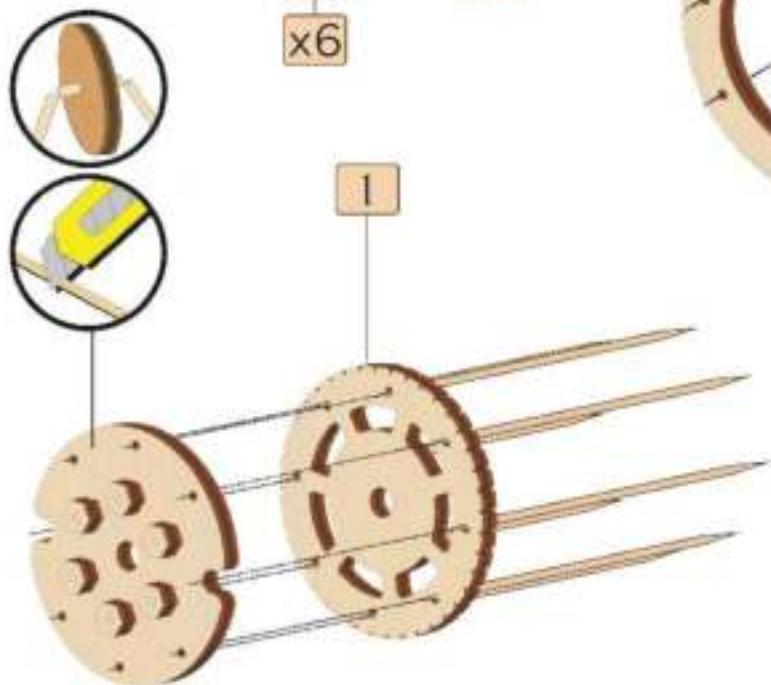
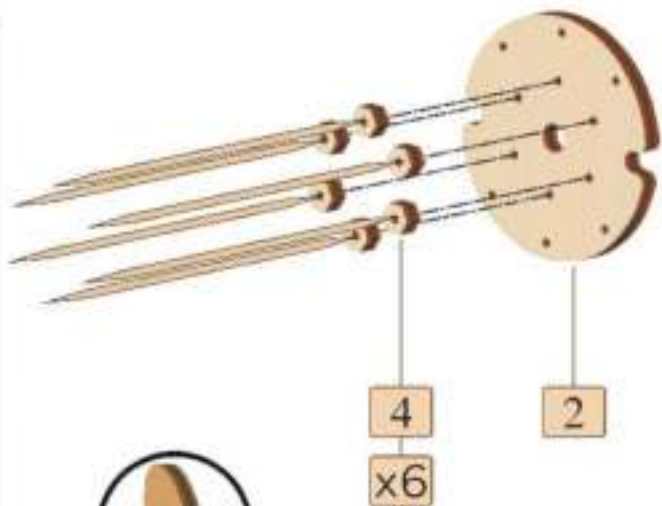
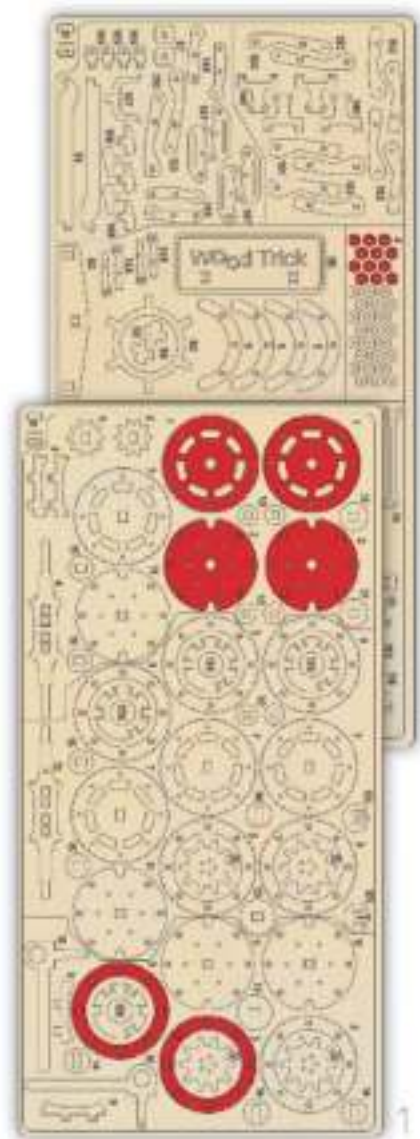


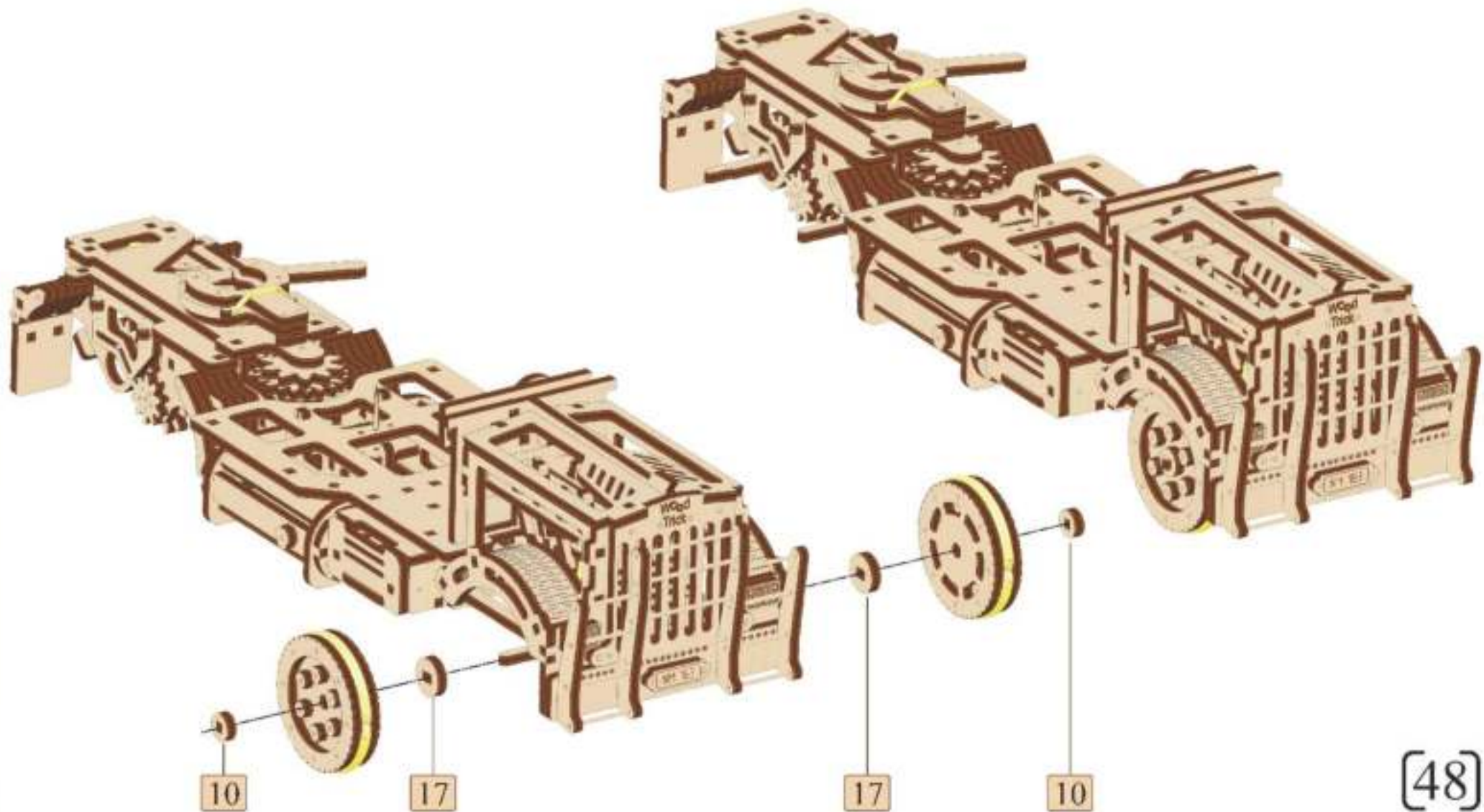


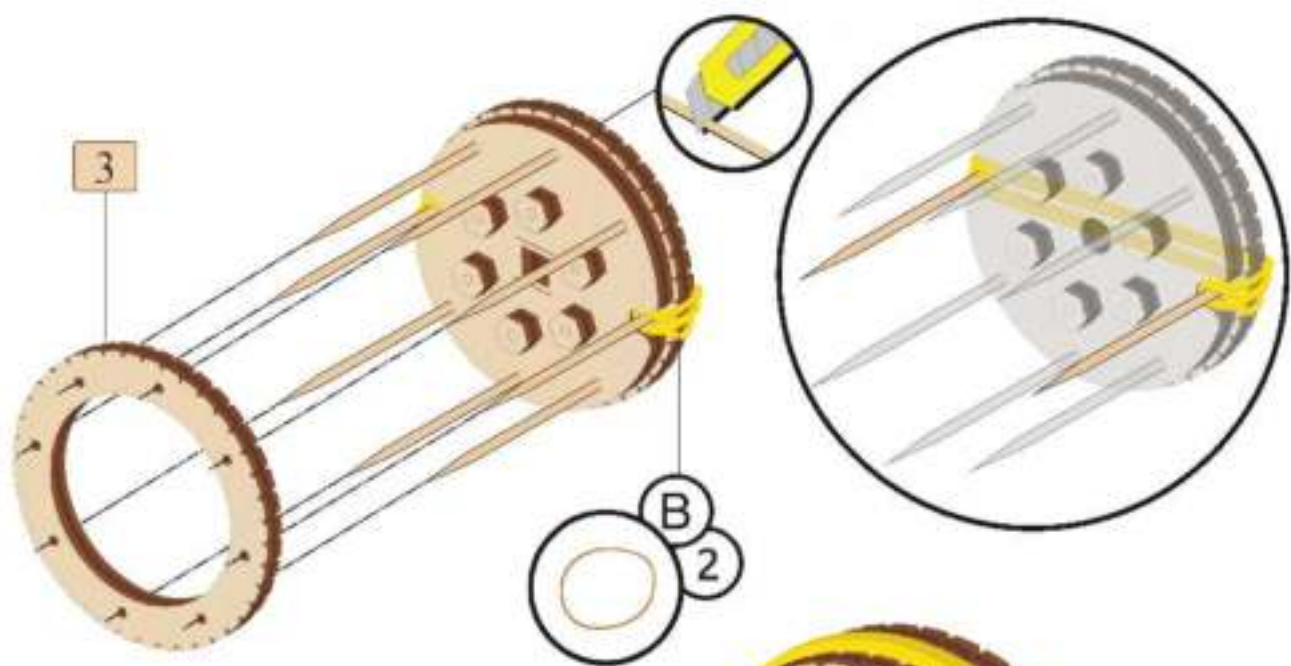
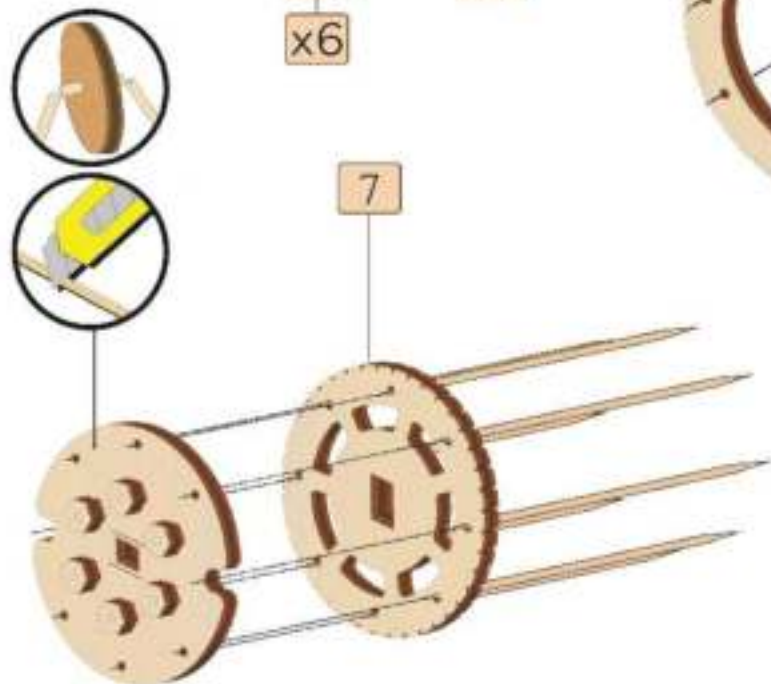
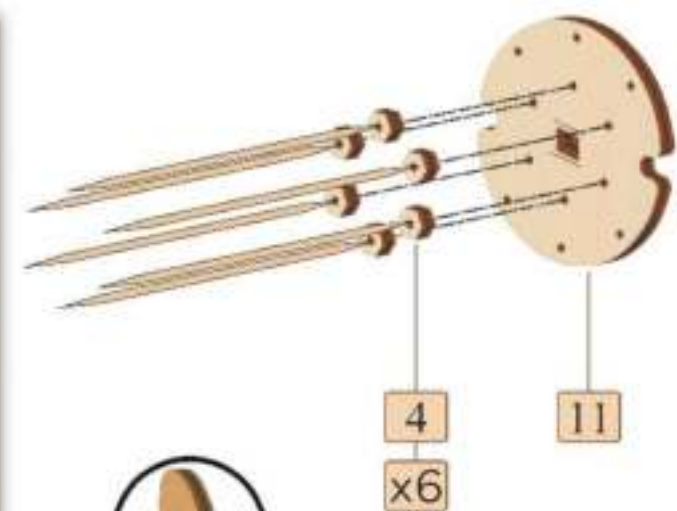


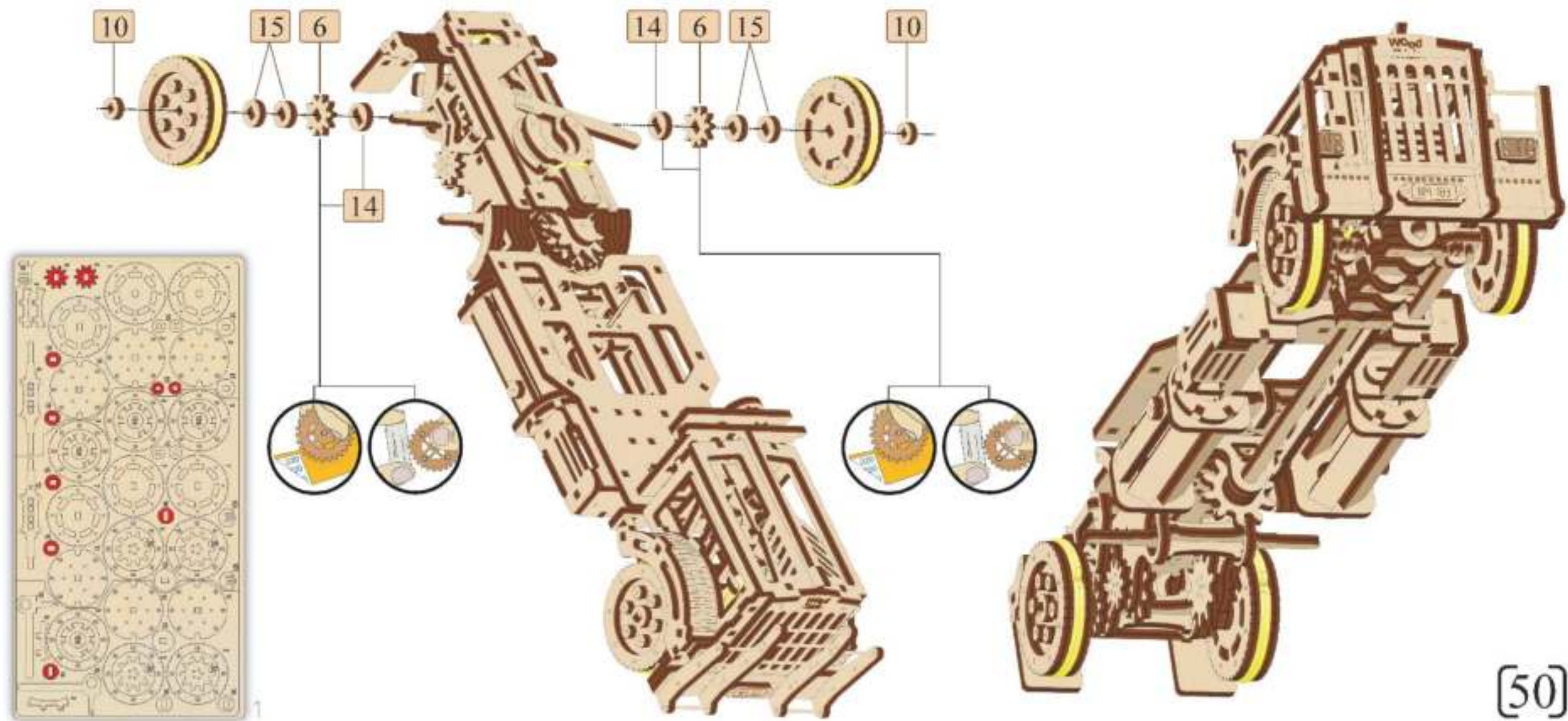


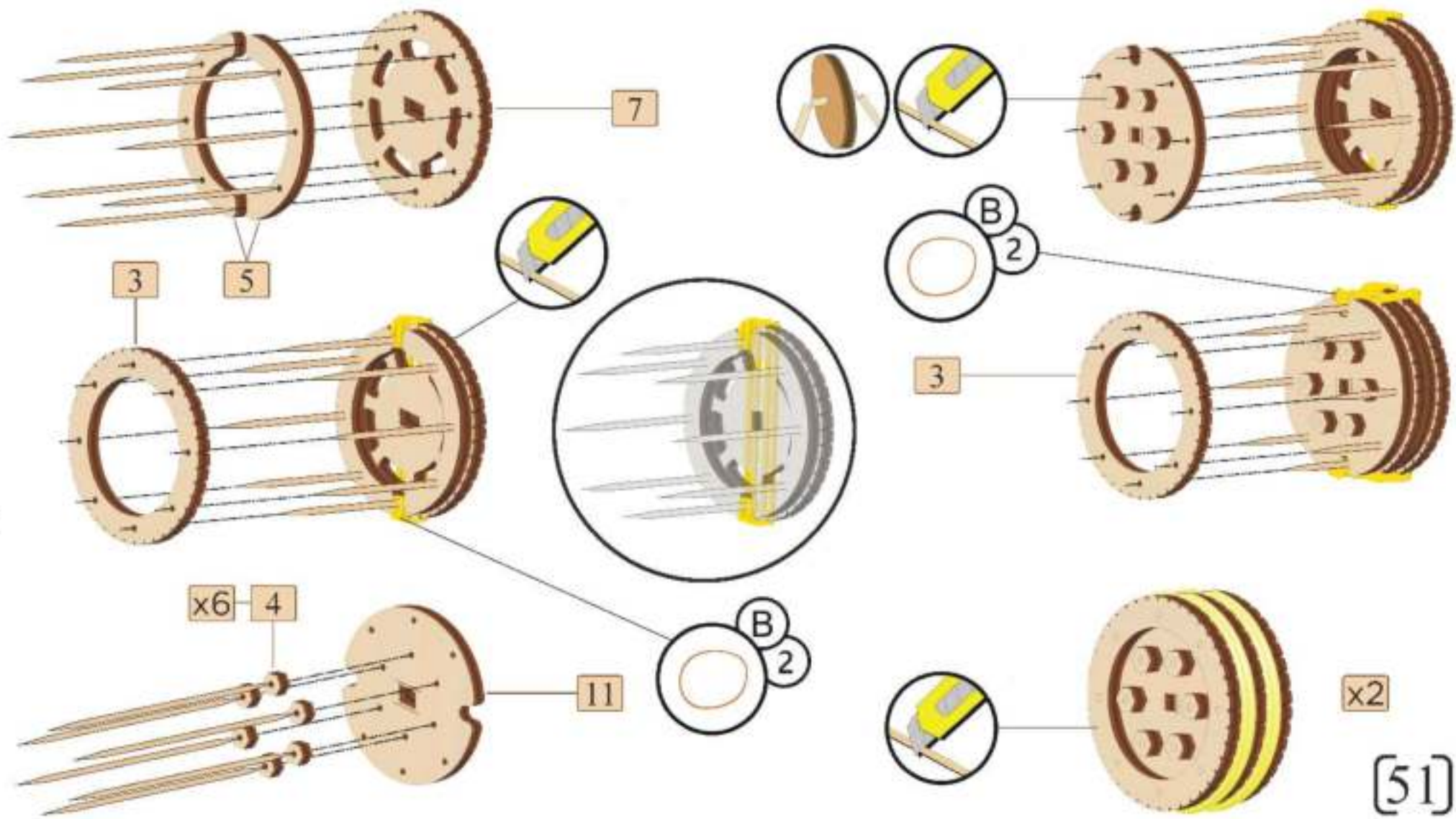


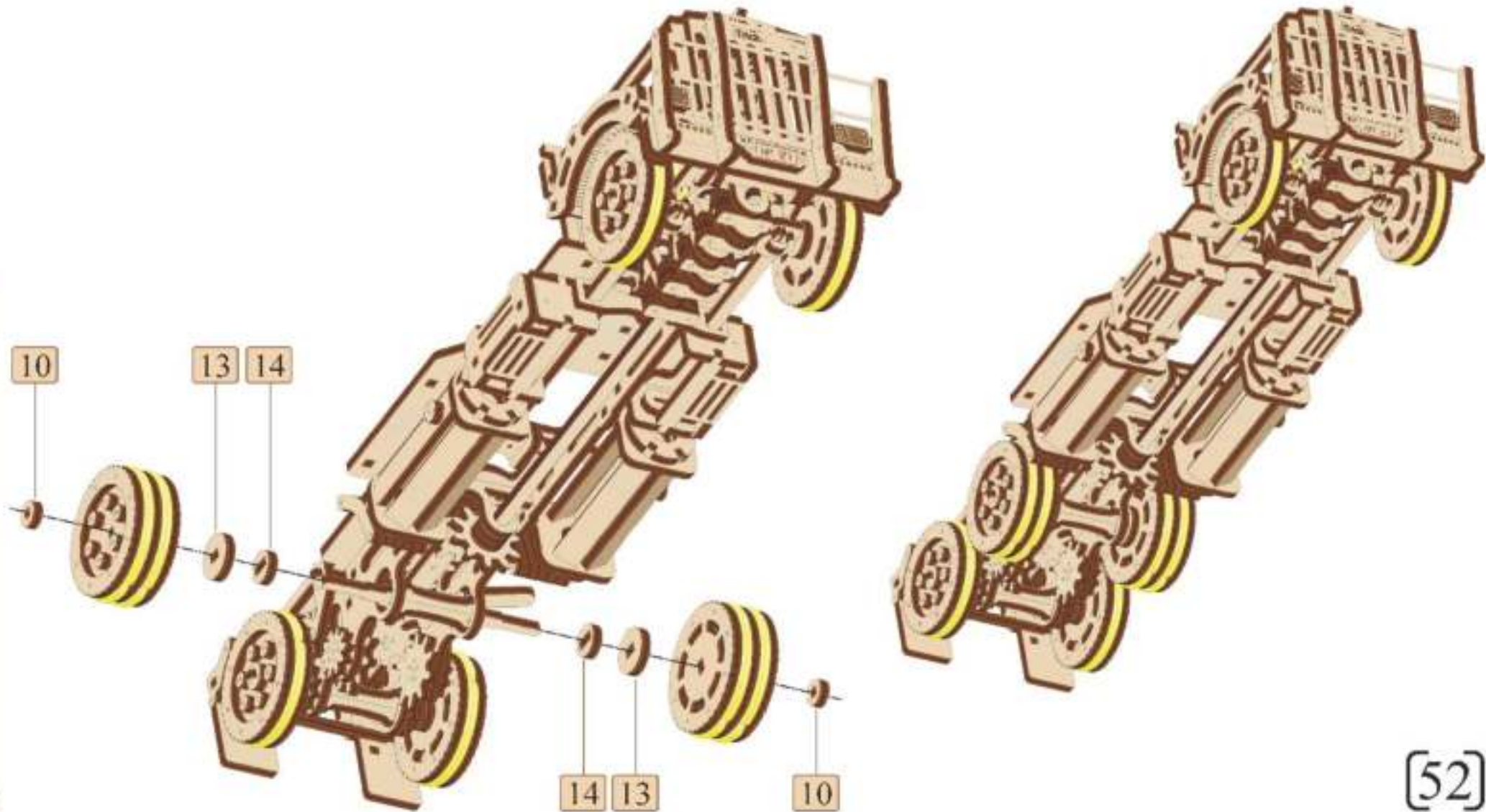


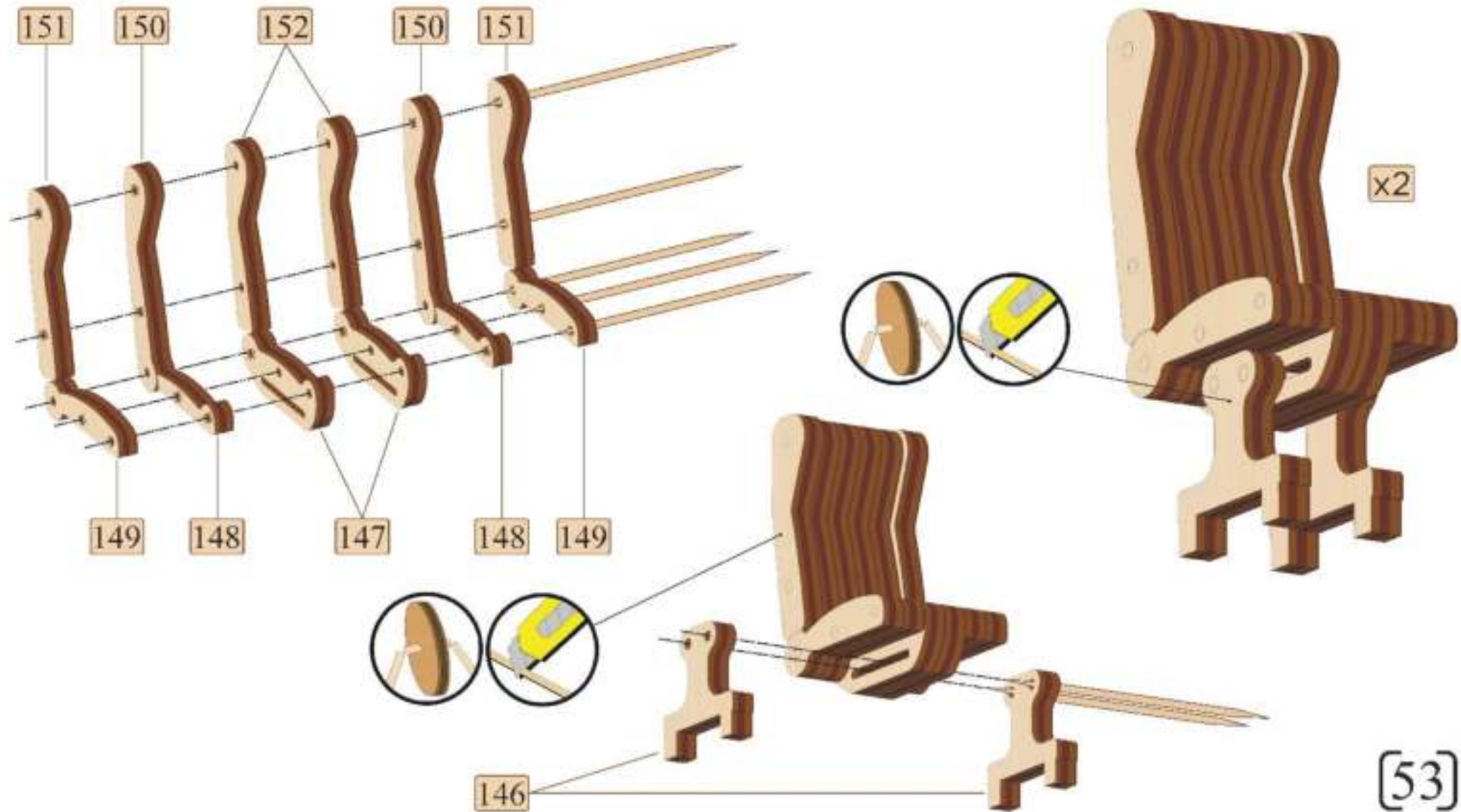


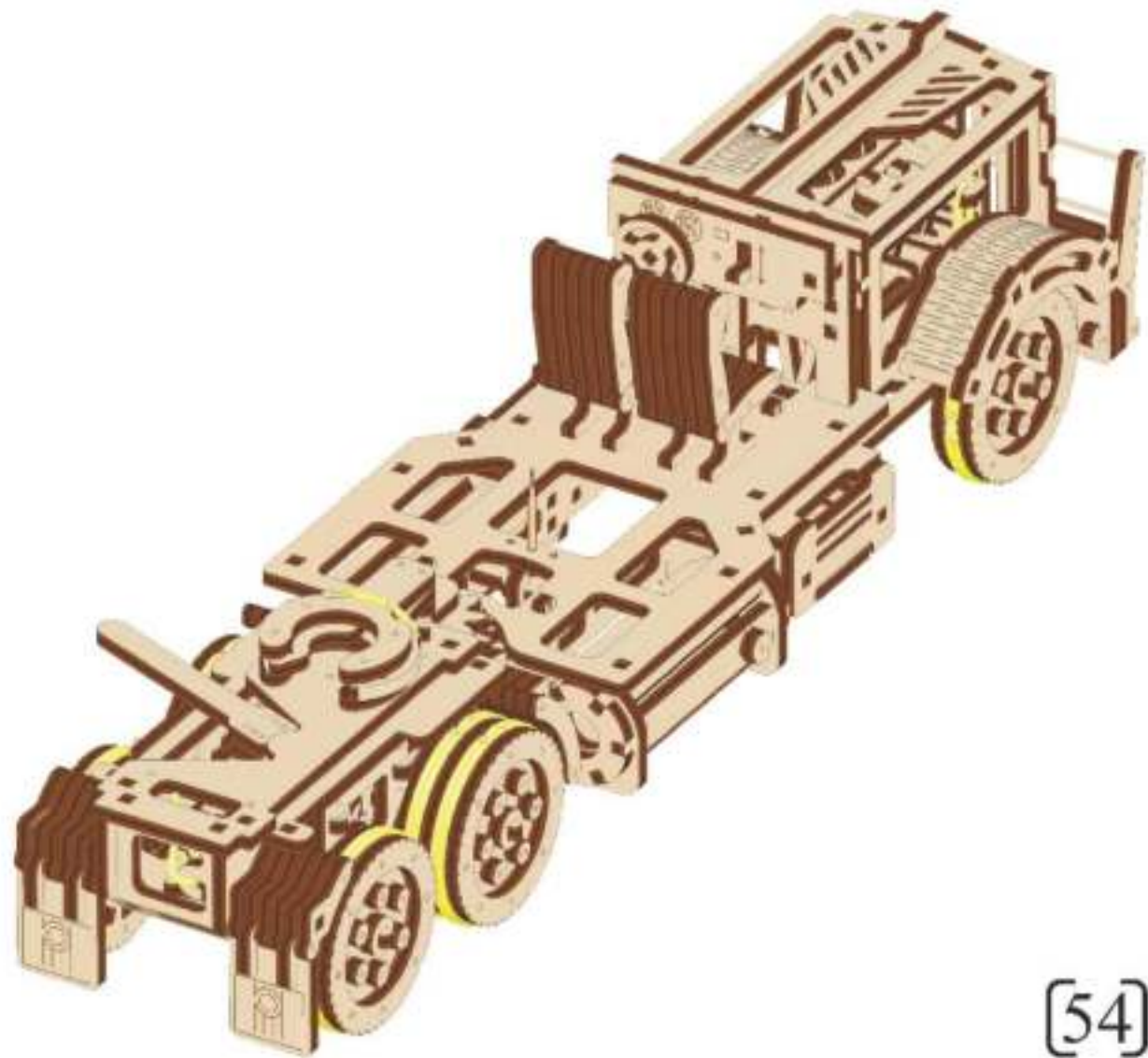
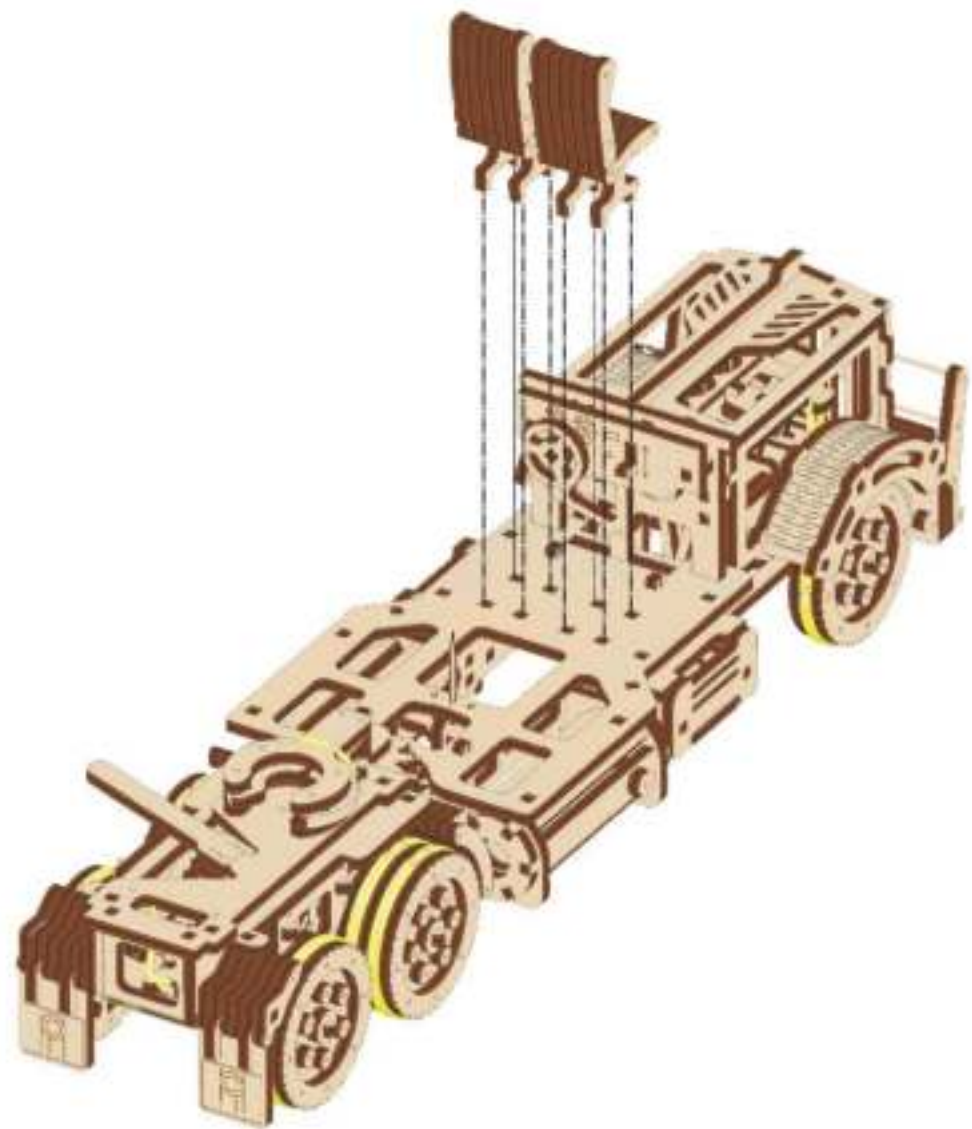






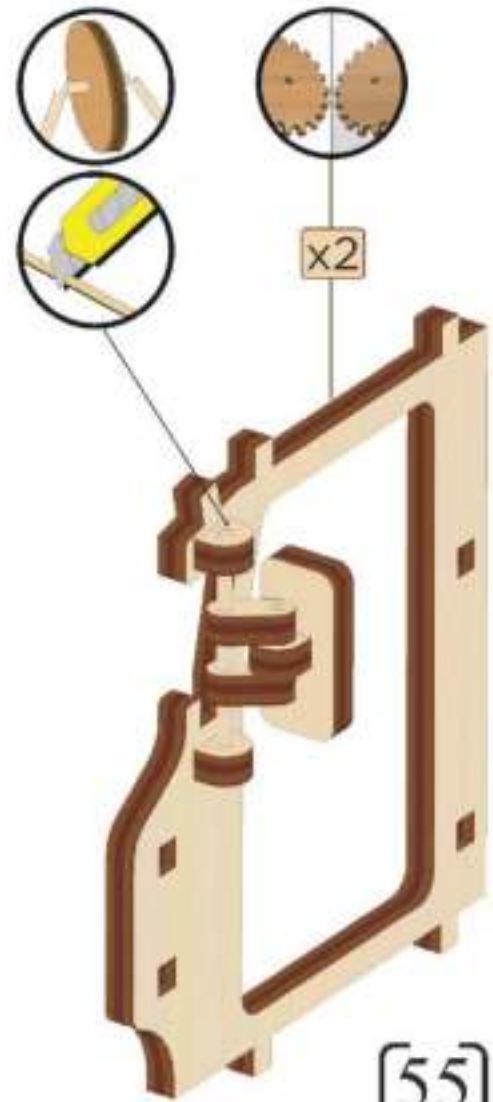
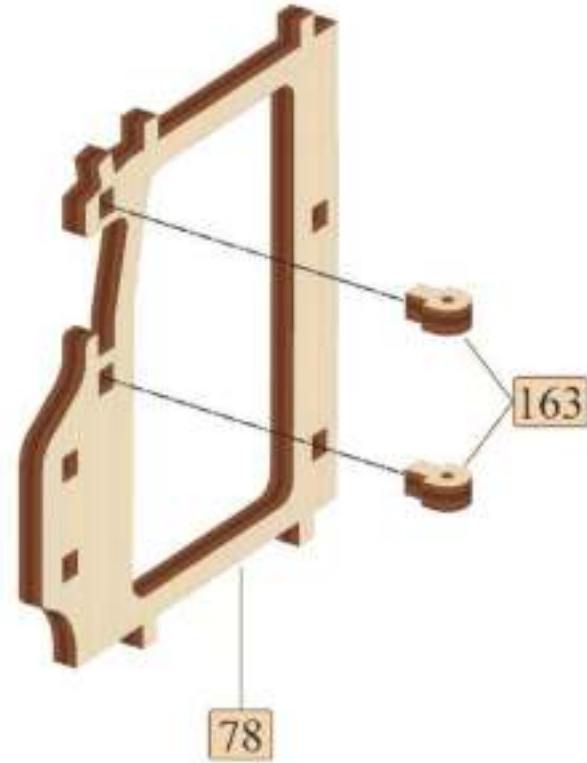
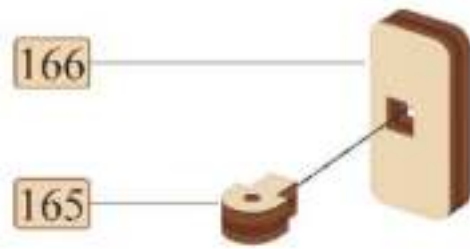




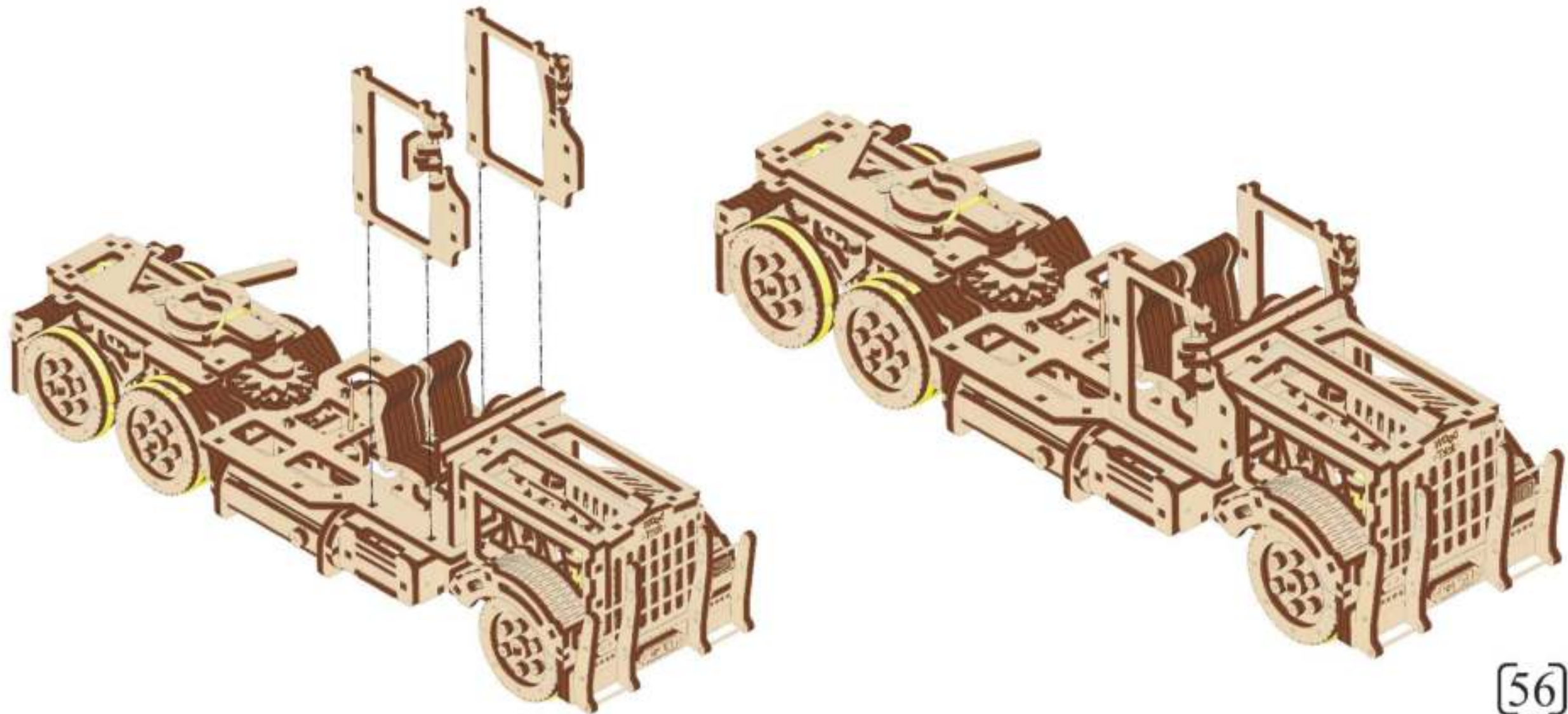


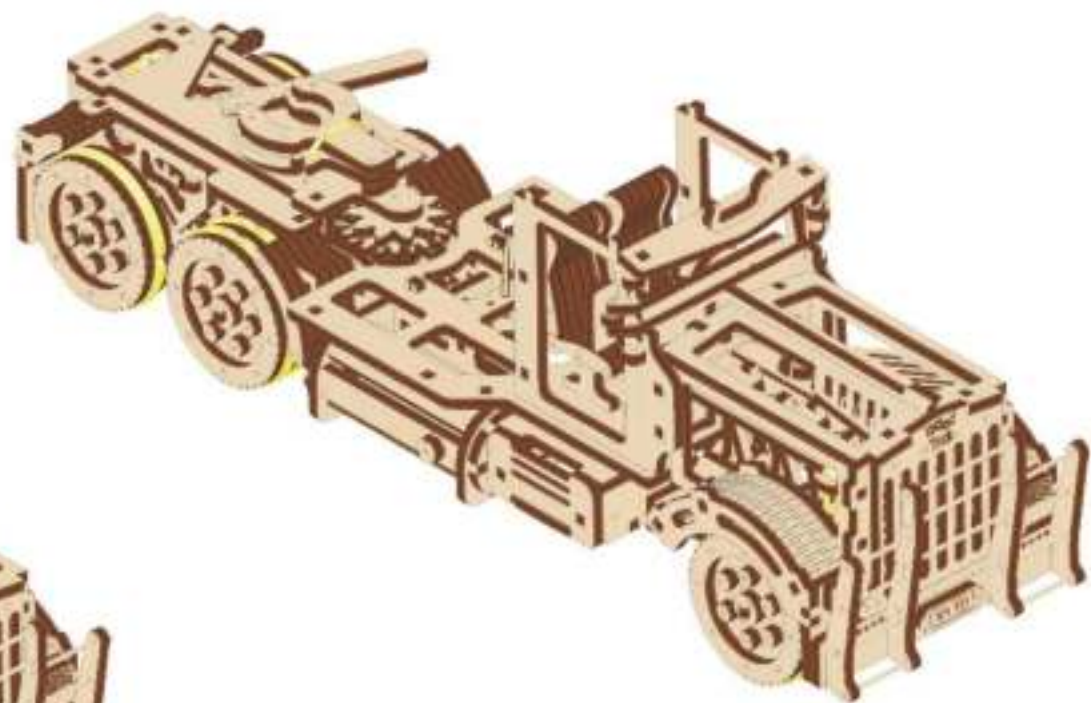
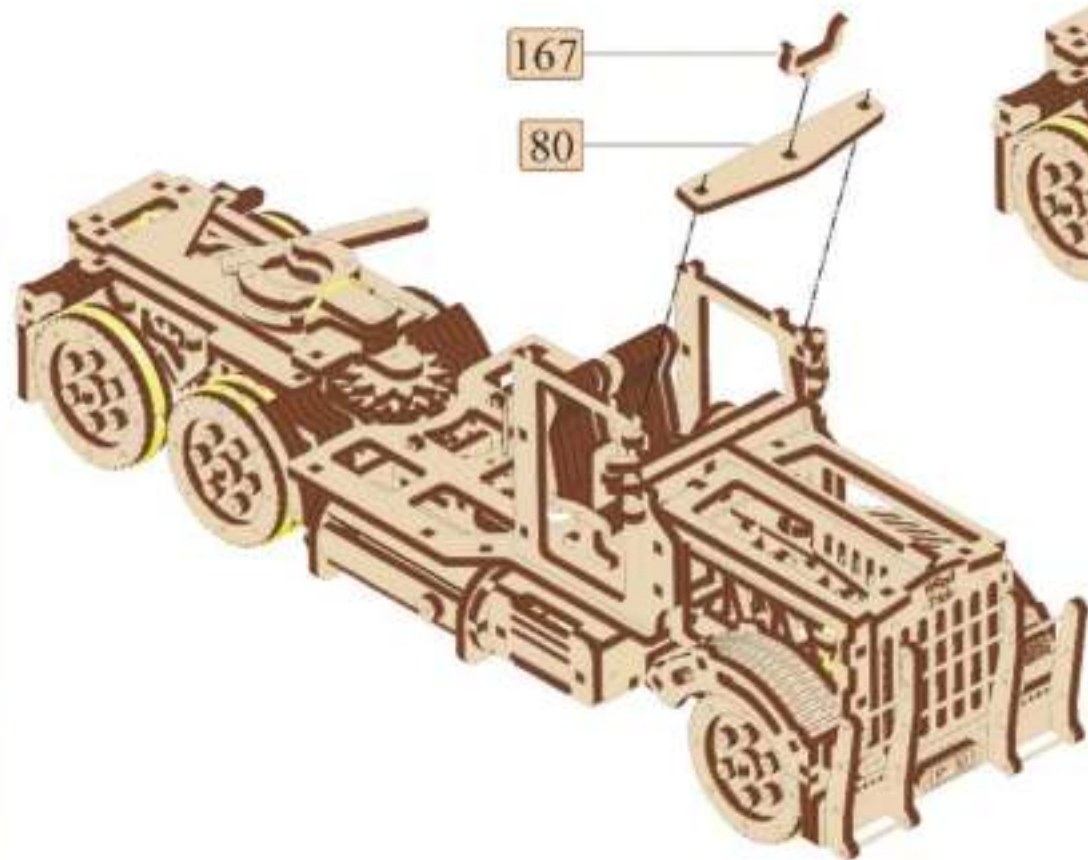


6



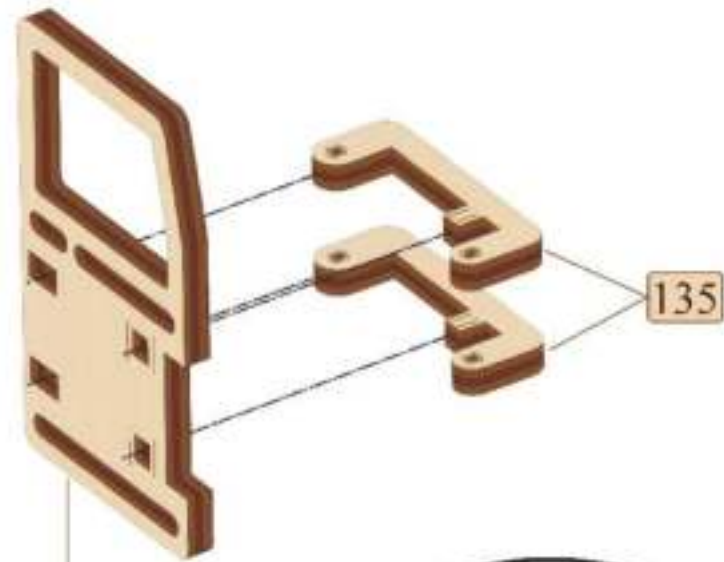
[55]







4



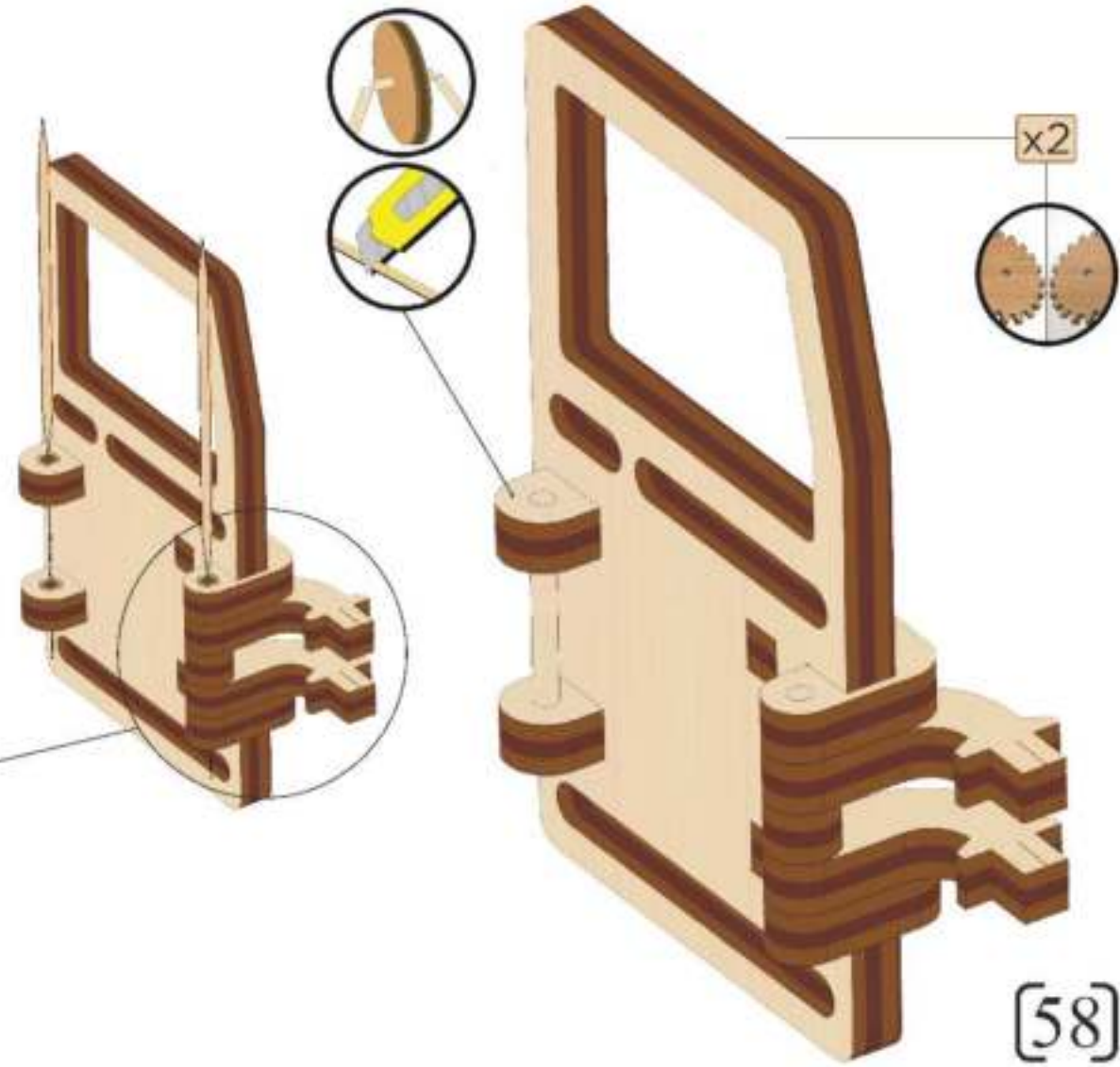
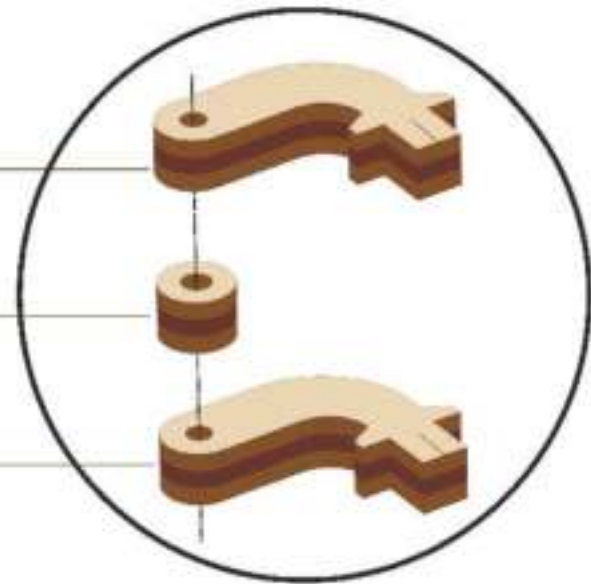
134

135

136

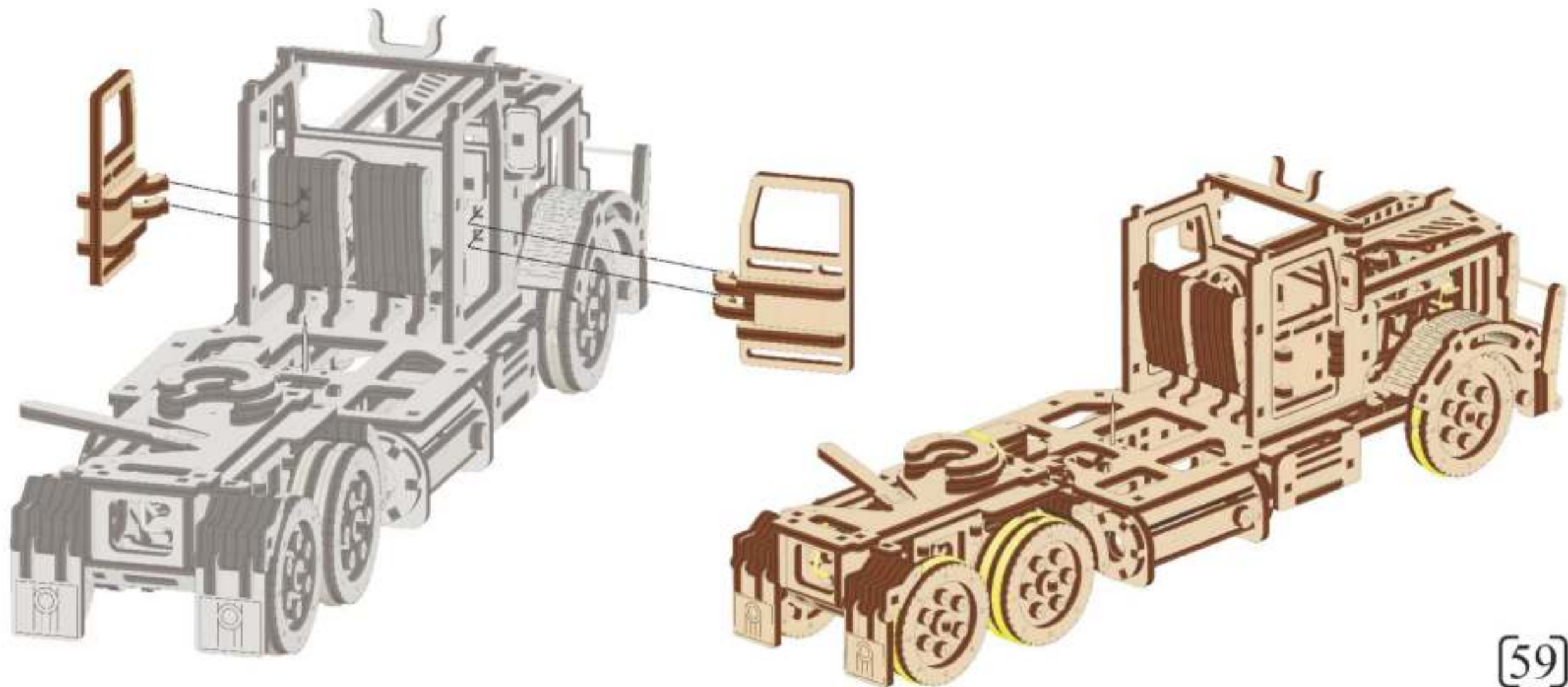
137

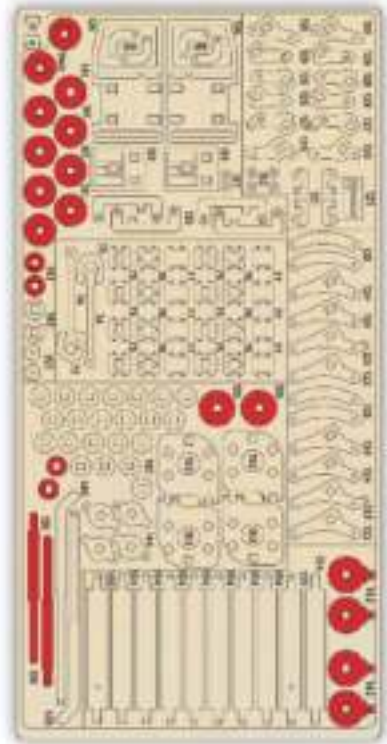
136



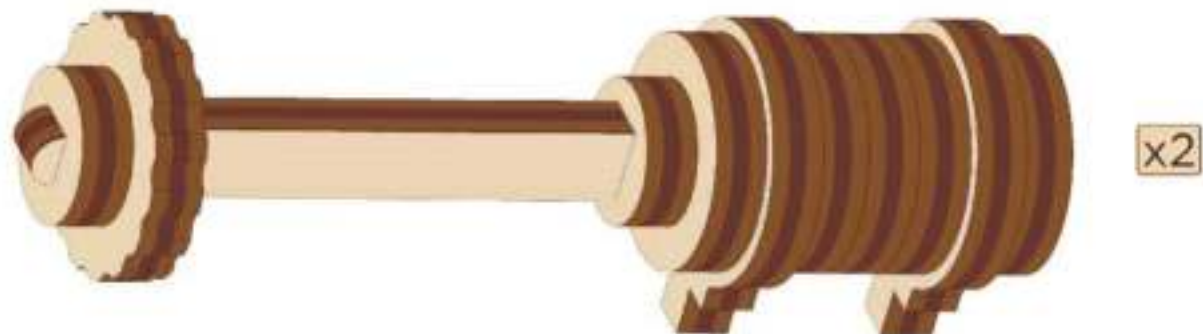
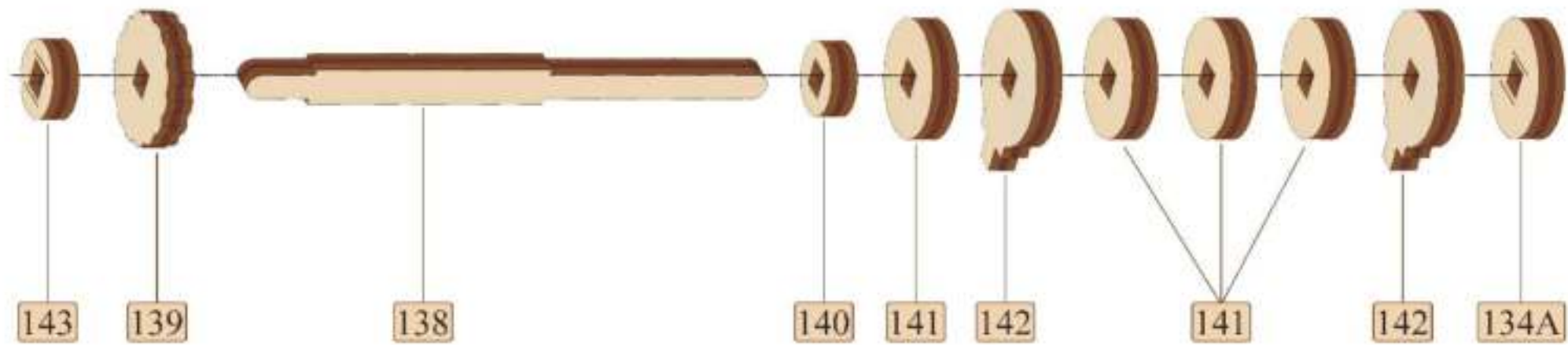
x2

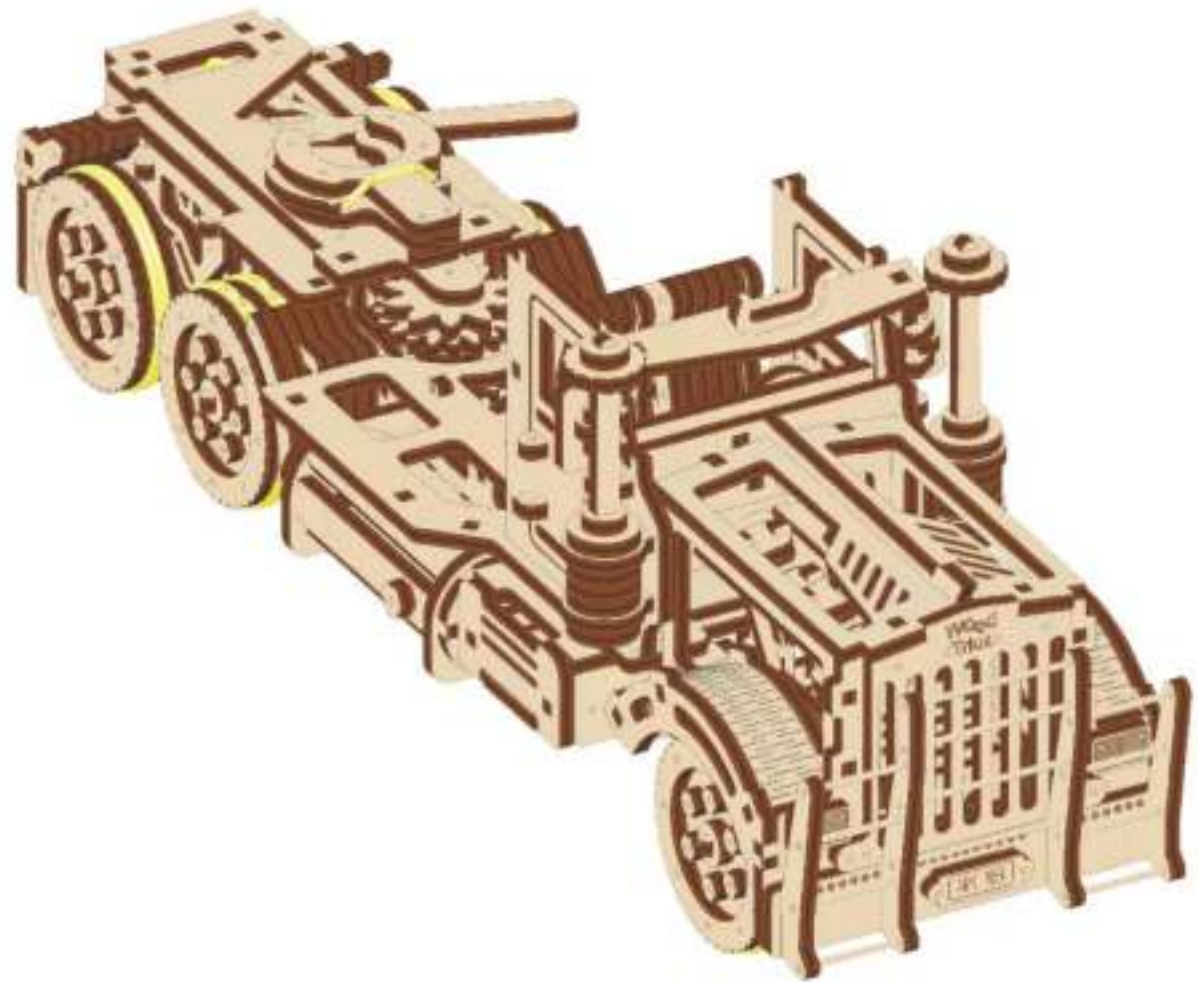
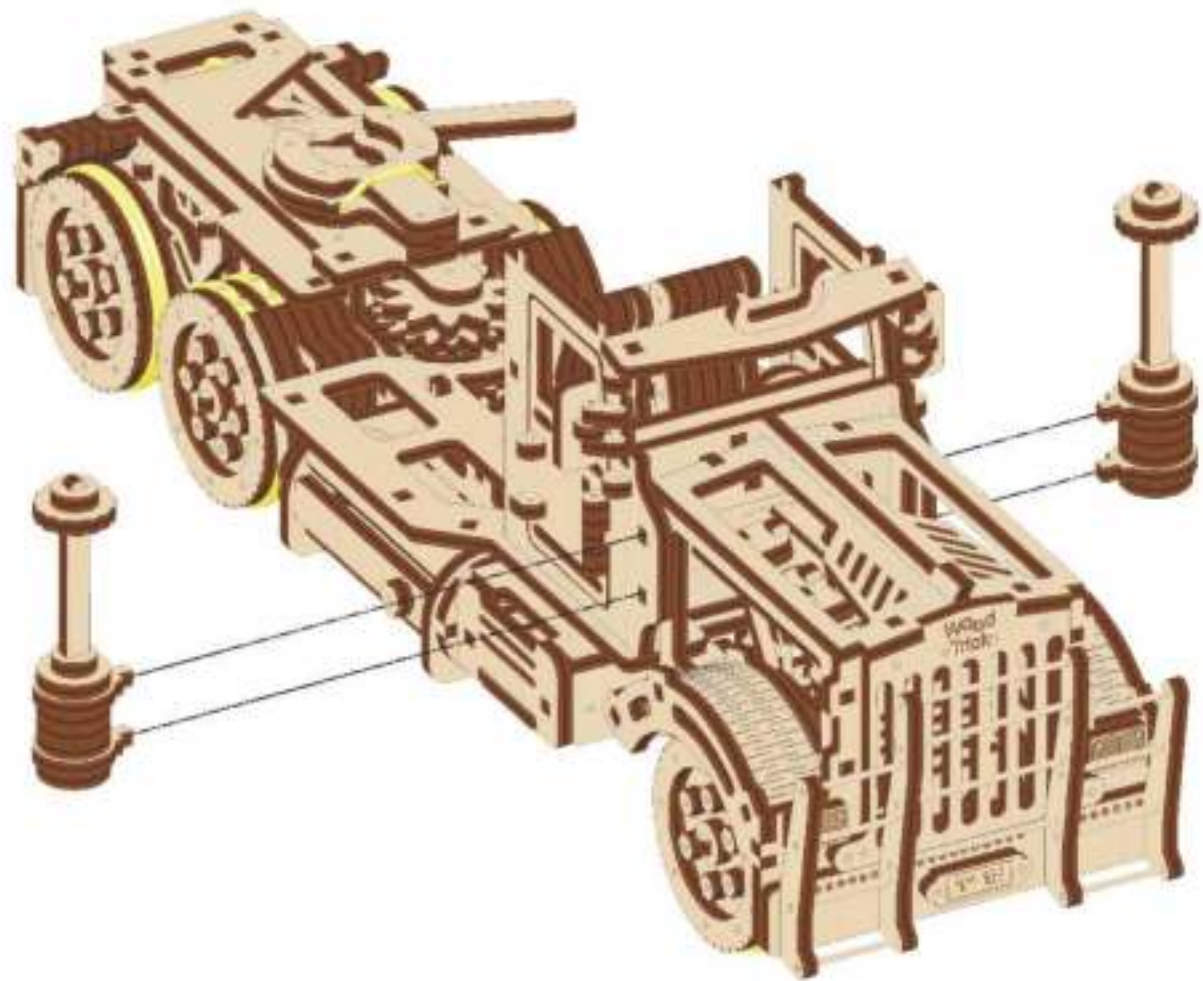
58

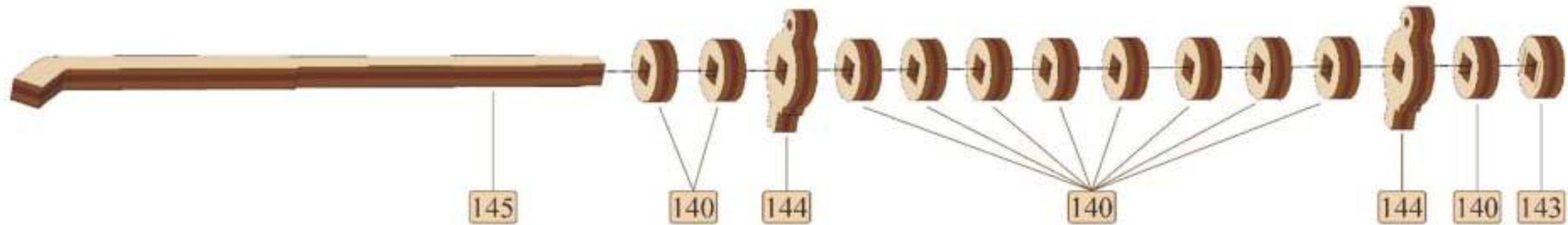




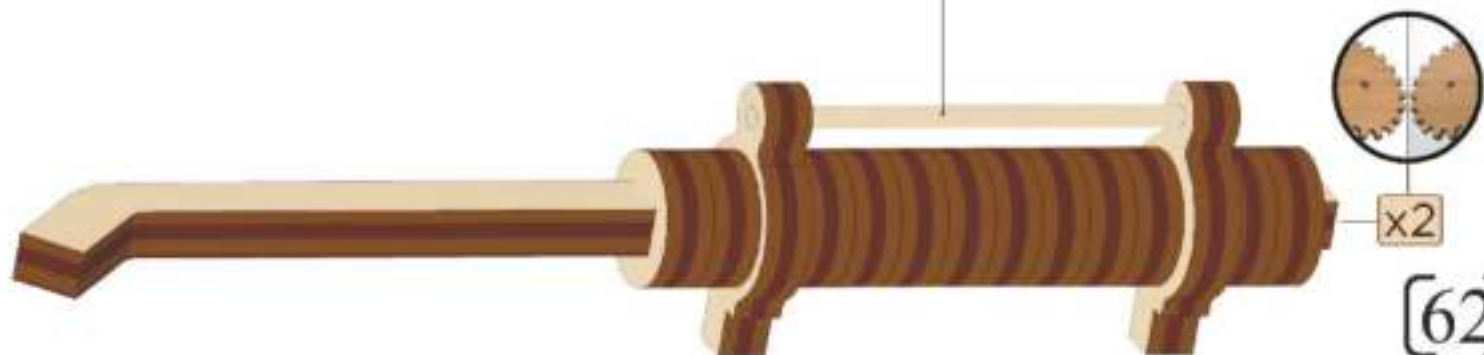
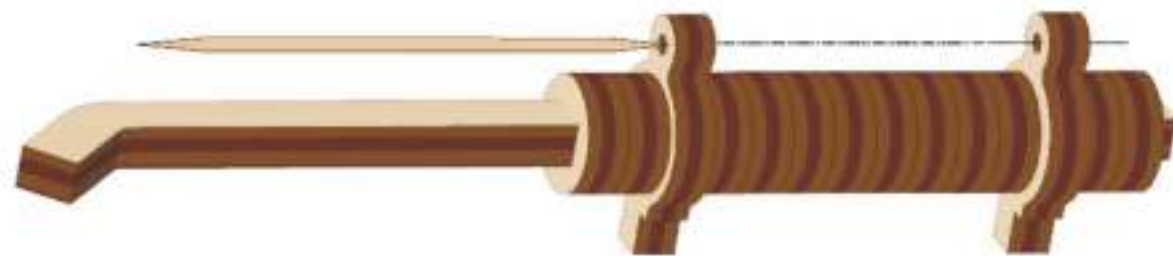
4



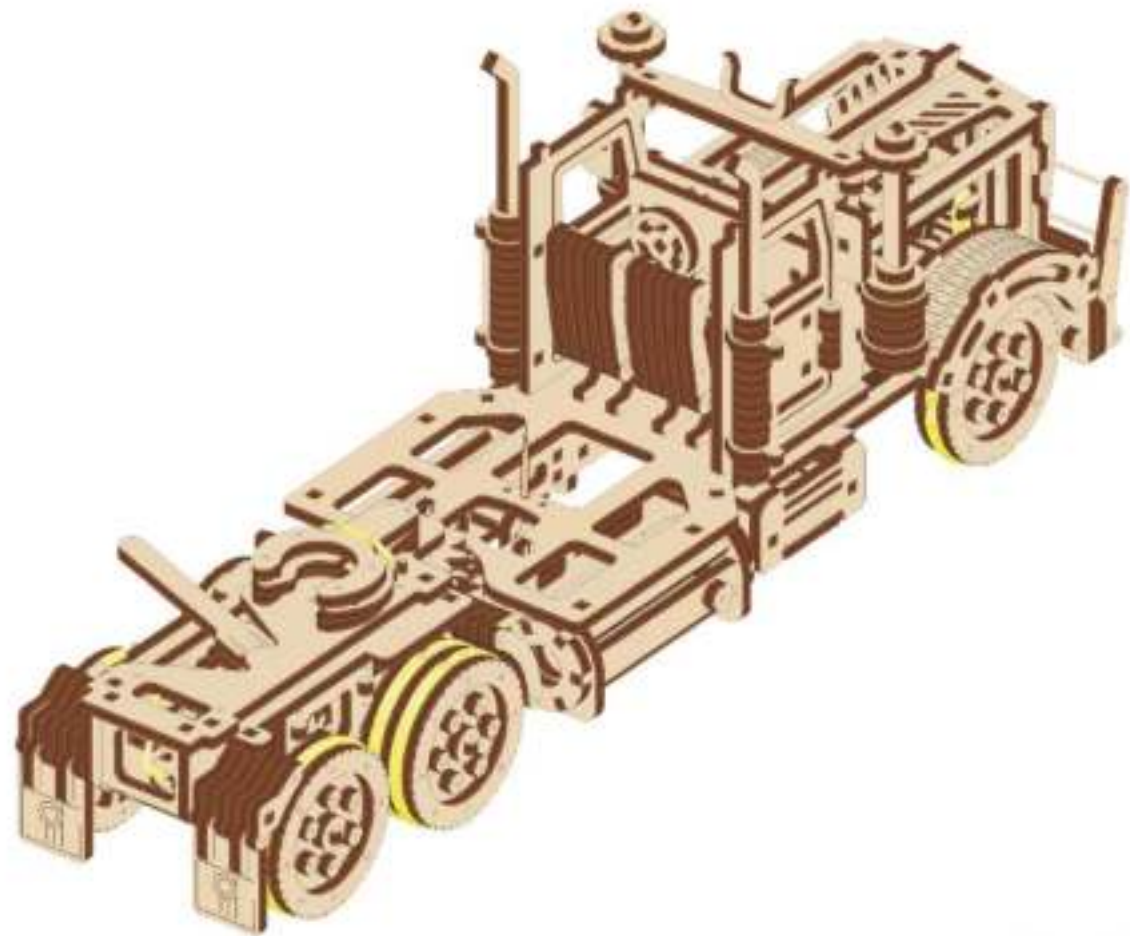
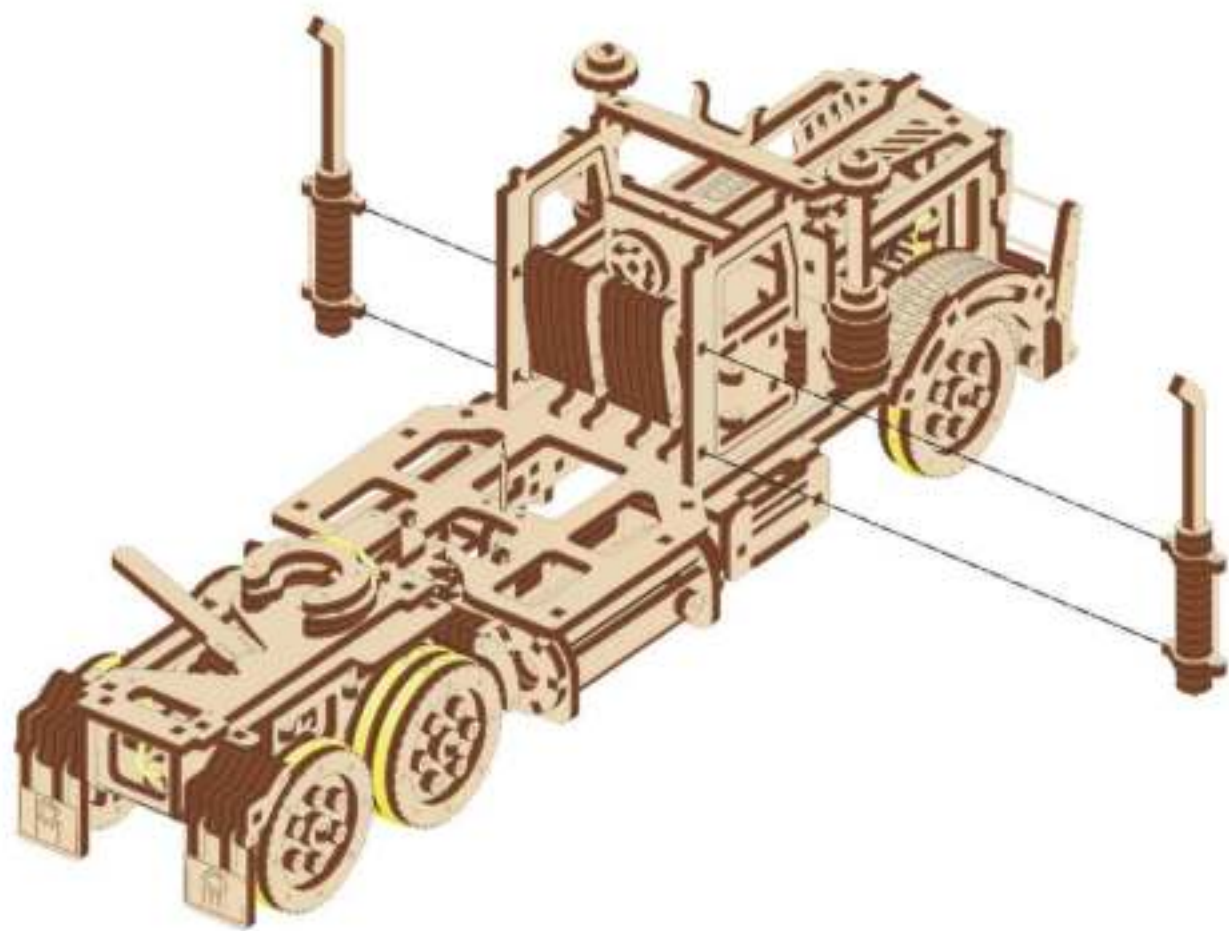




4

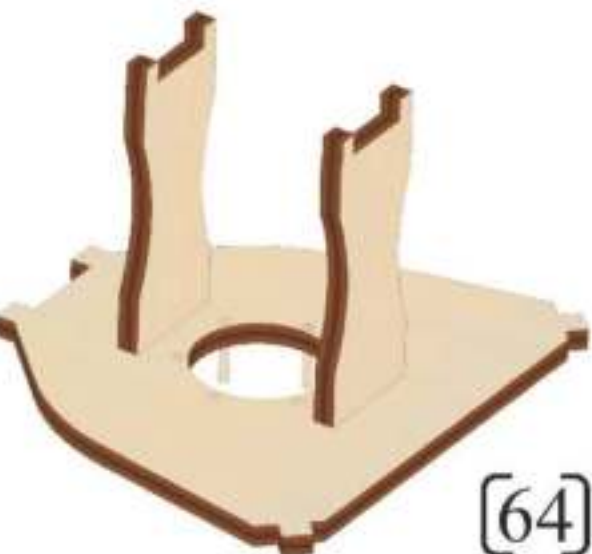
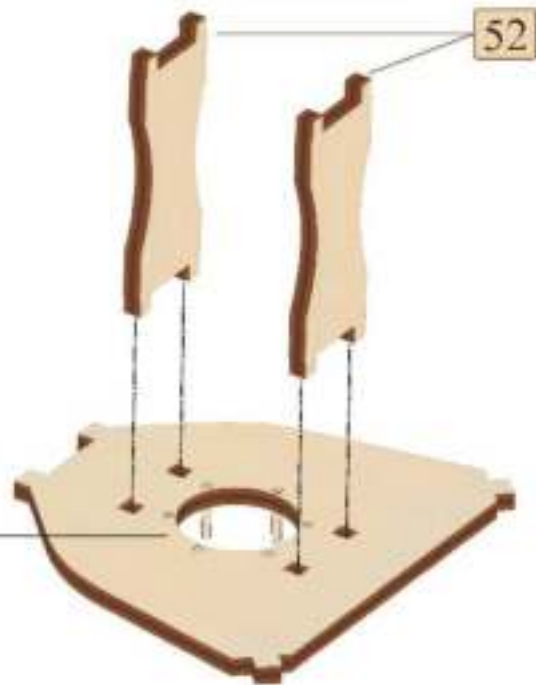


[62]

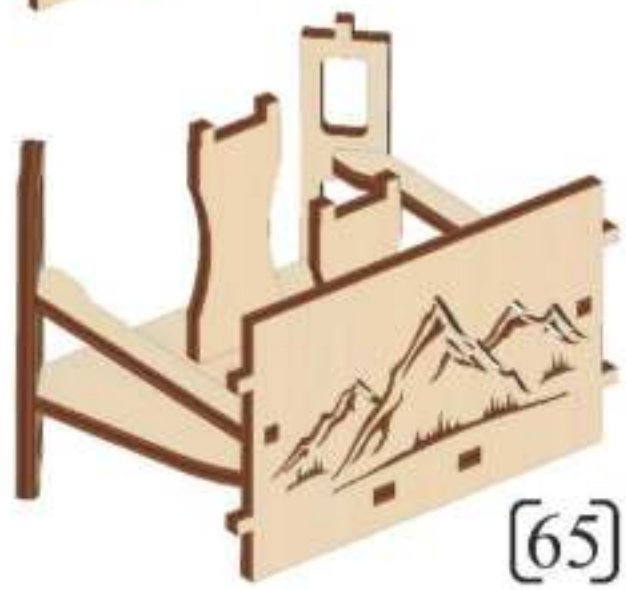
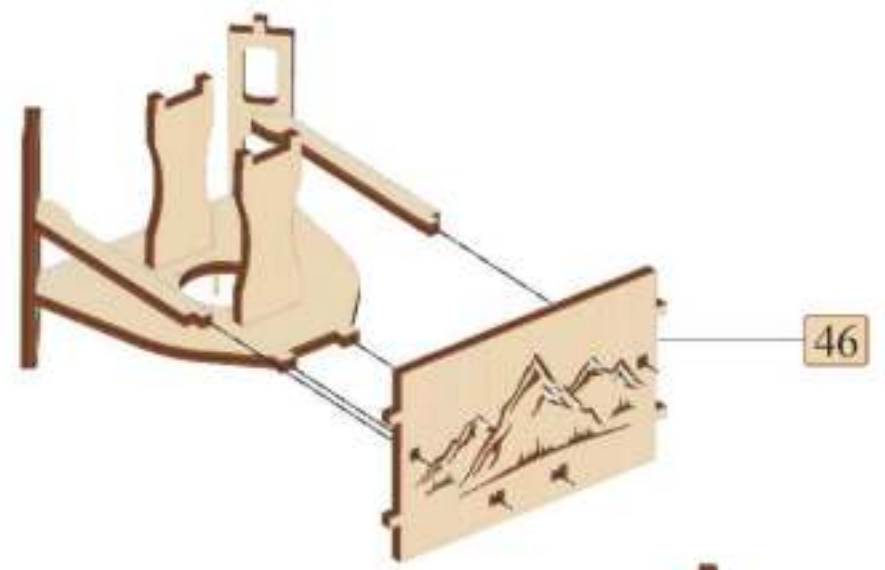
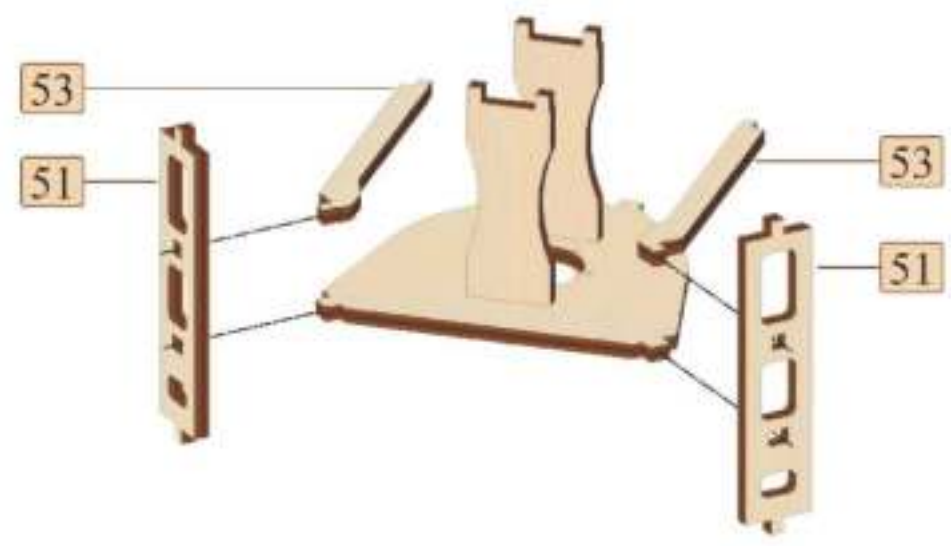
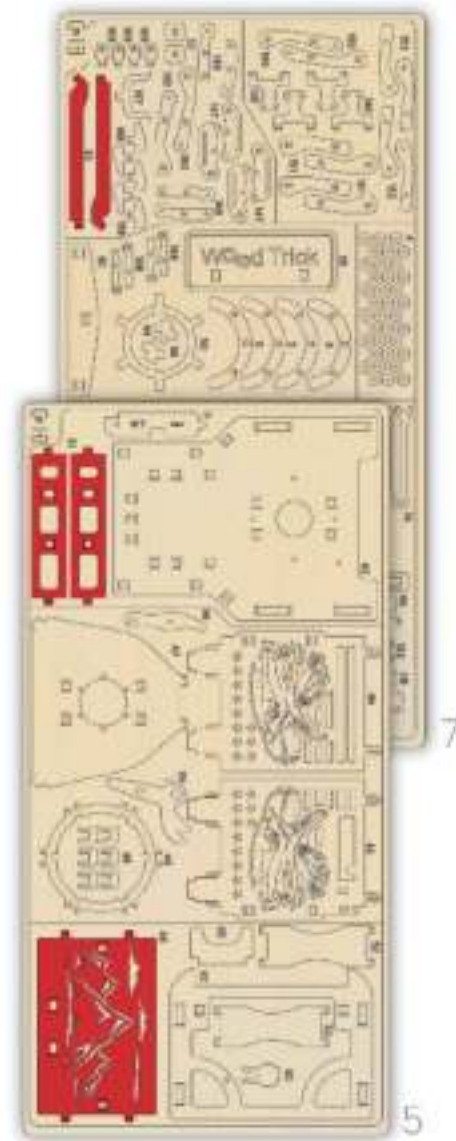


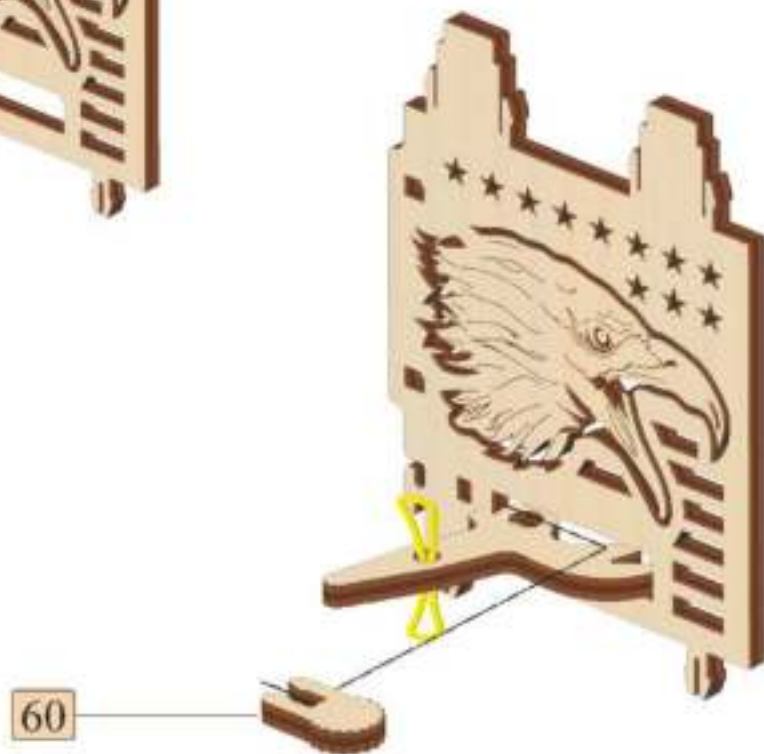
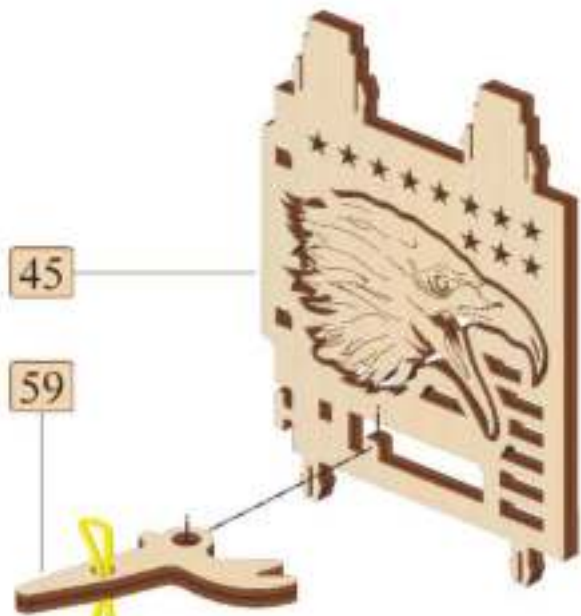


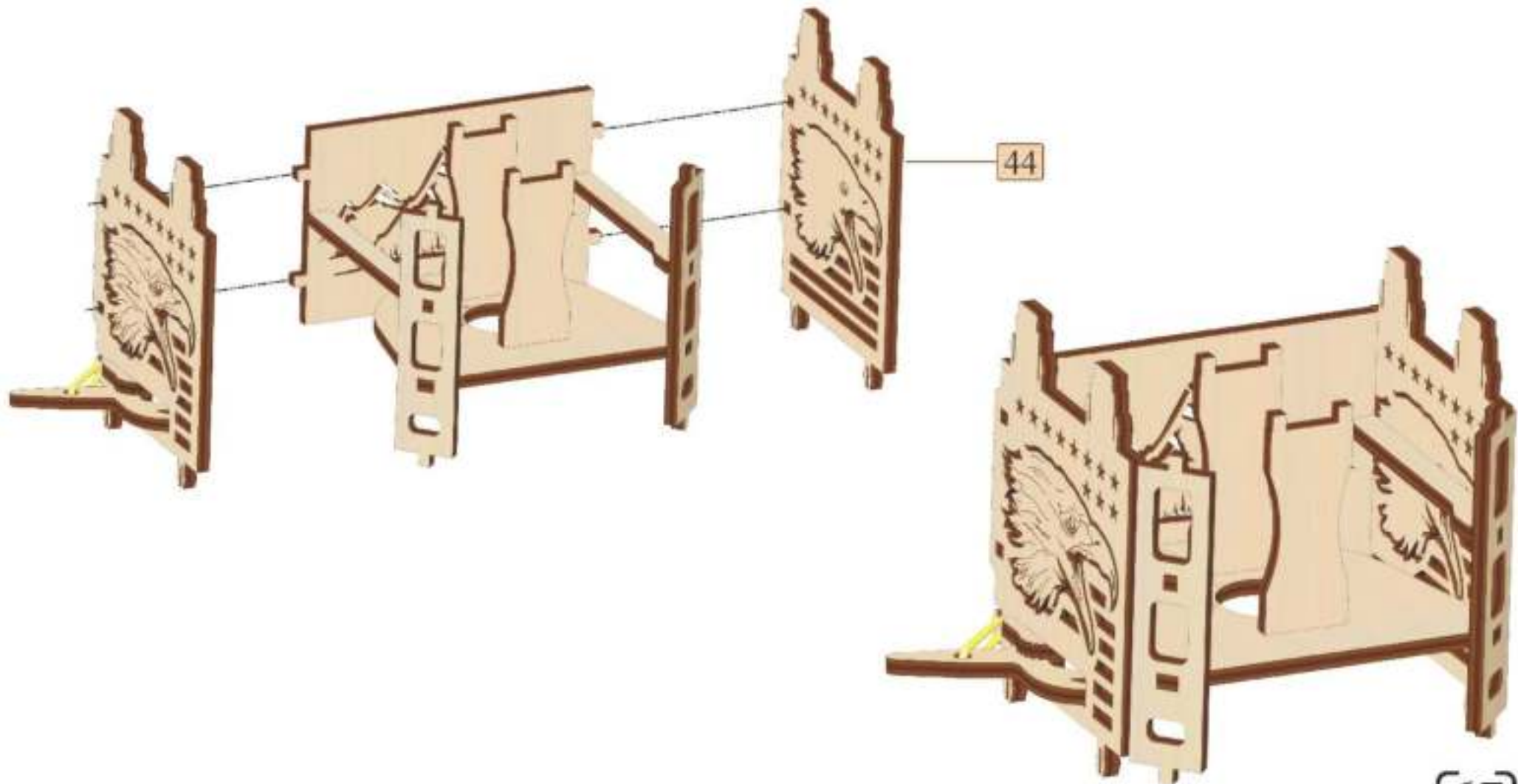
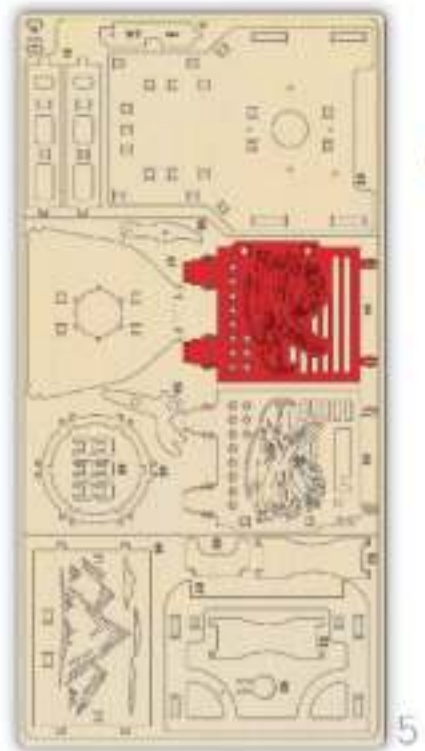
47

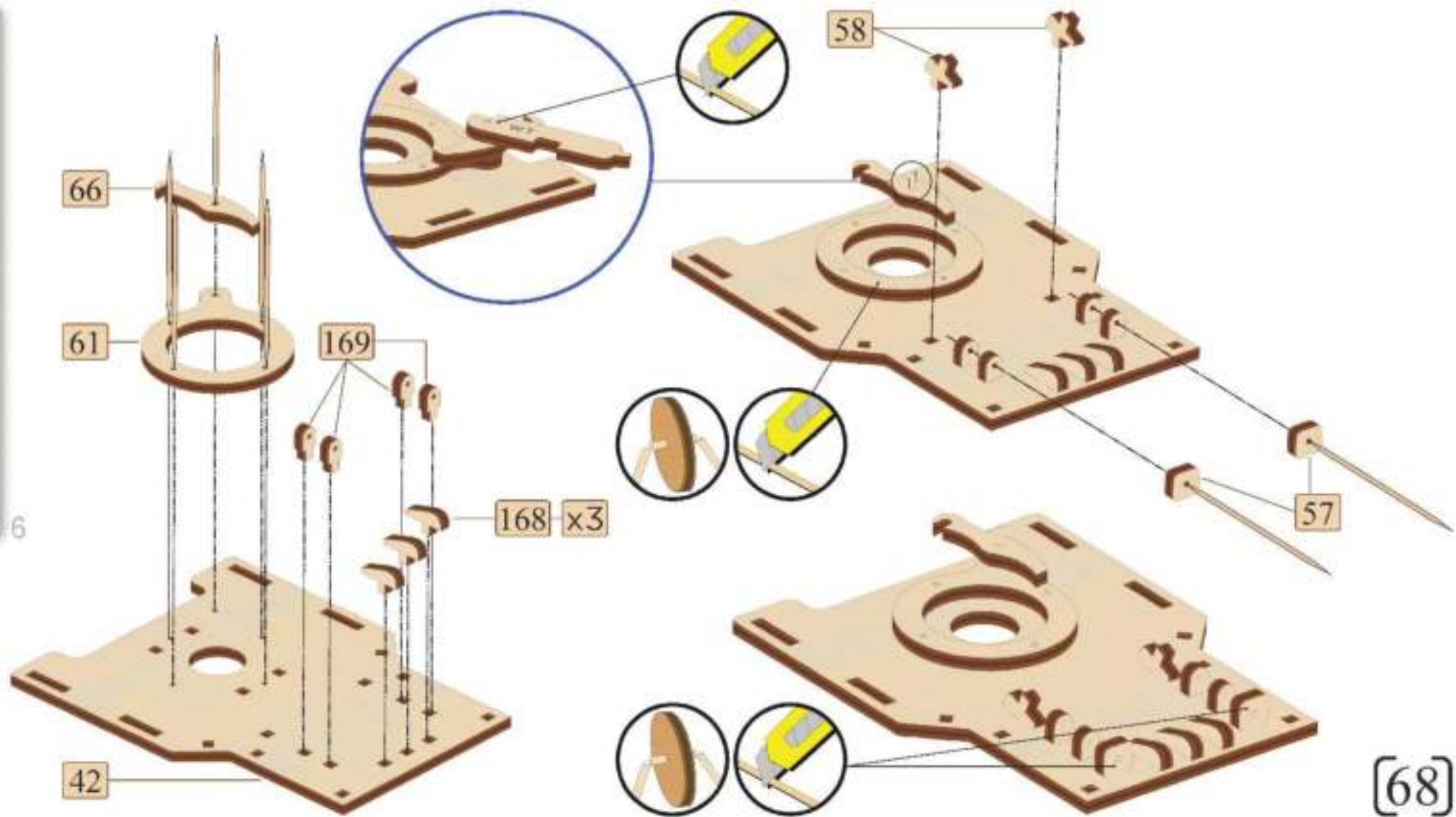


[64]

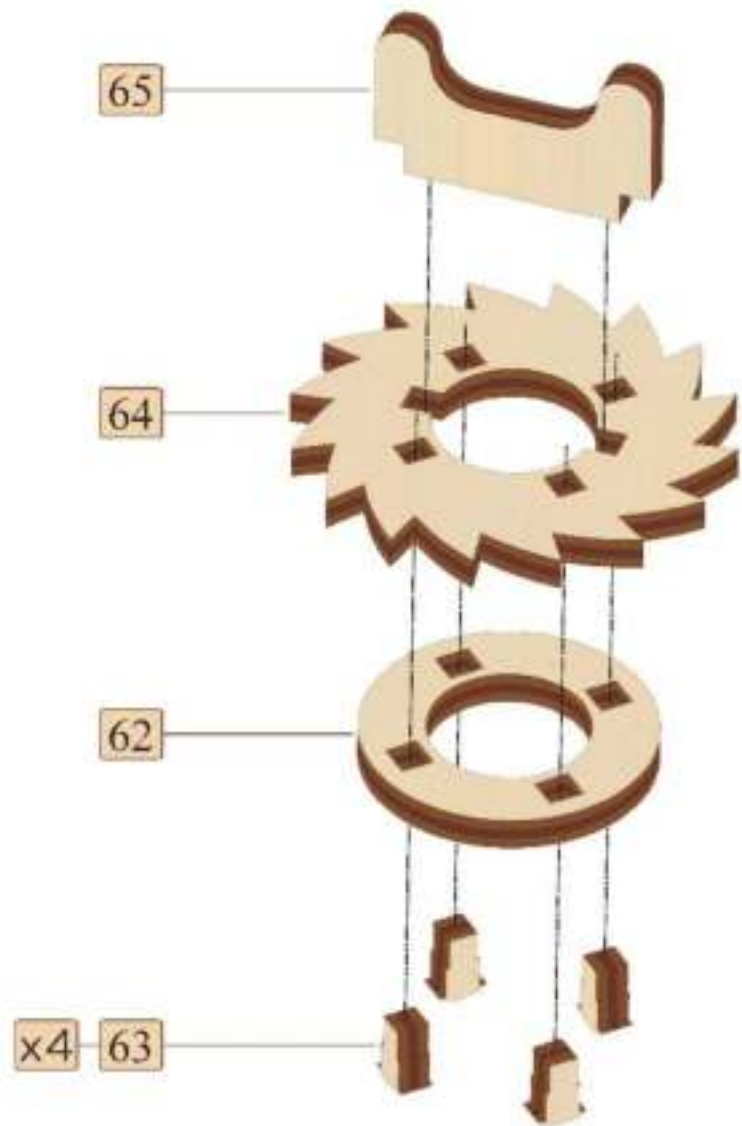


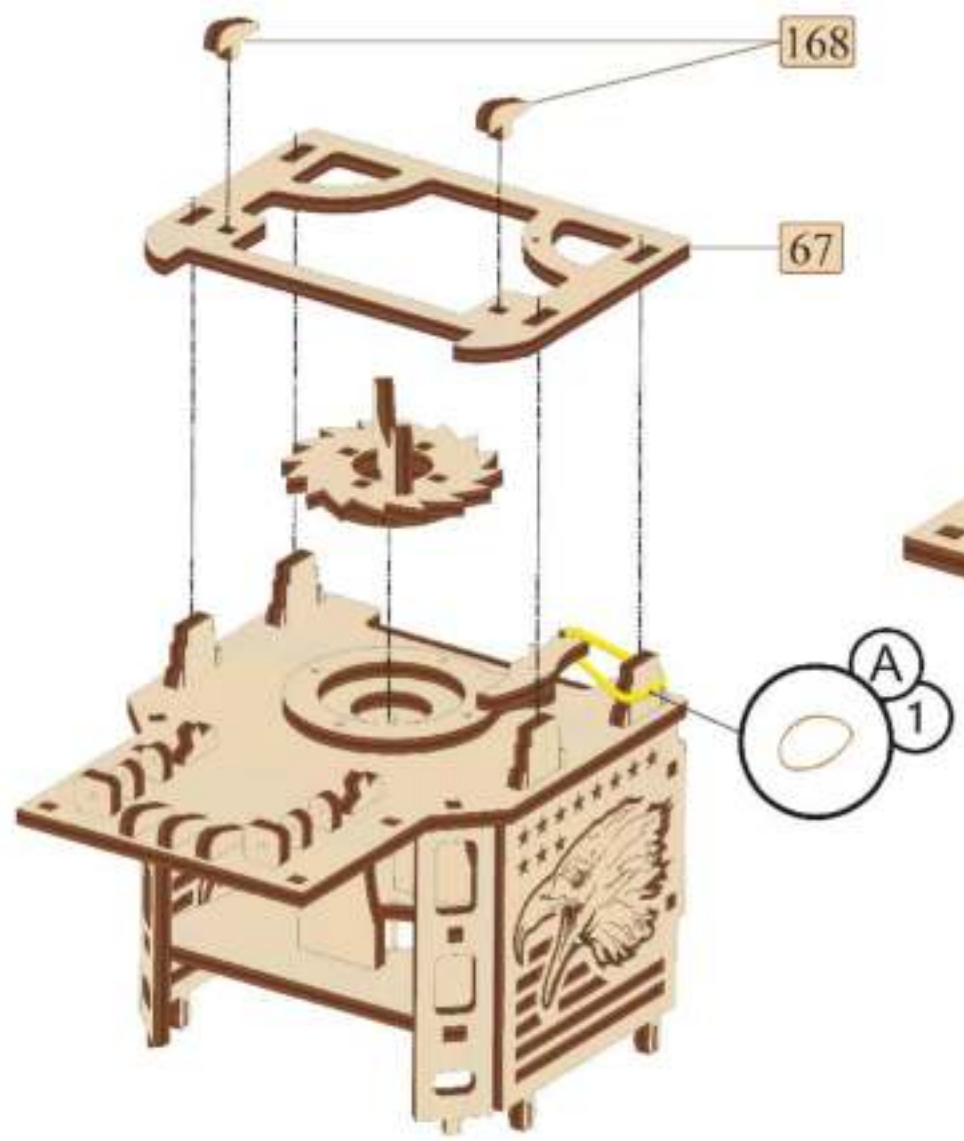
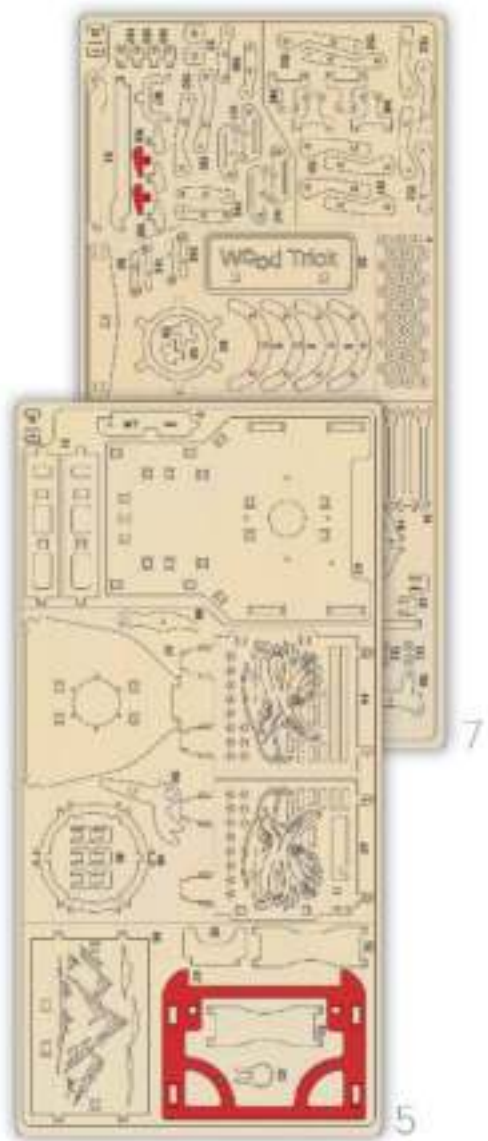




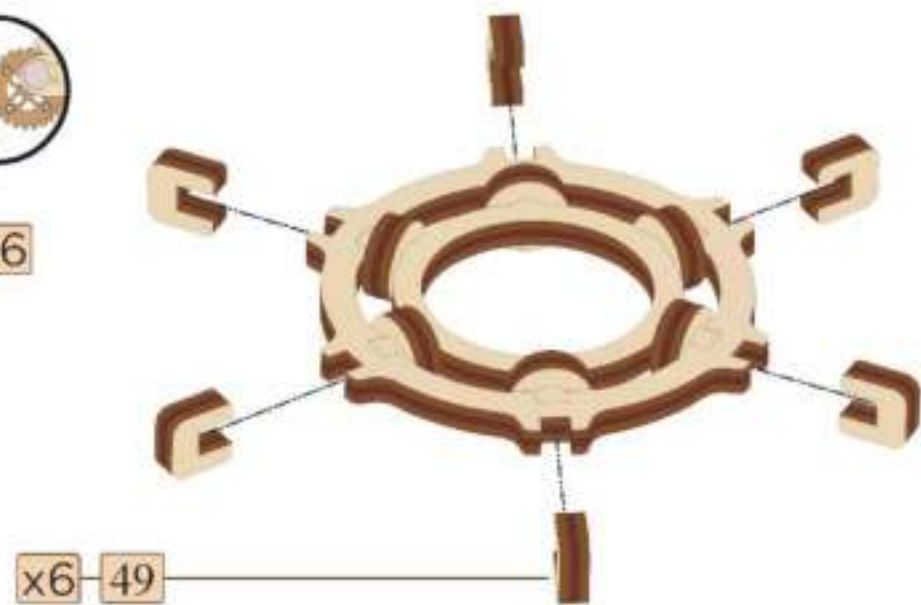
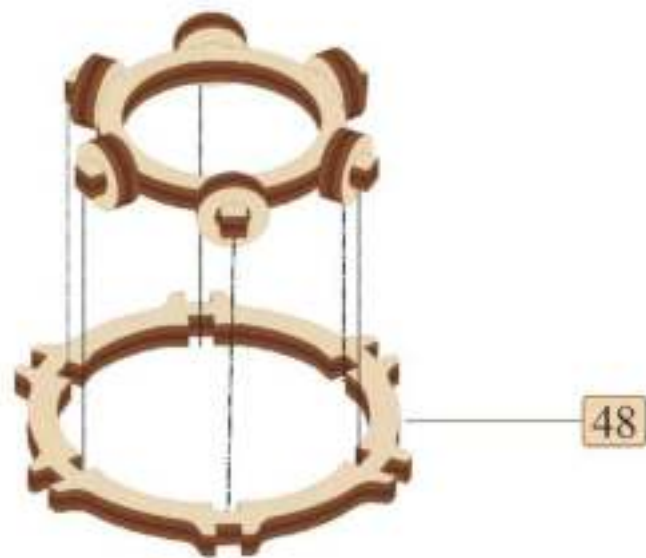
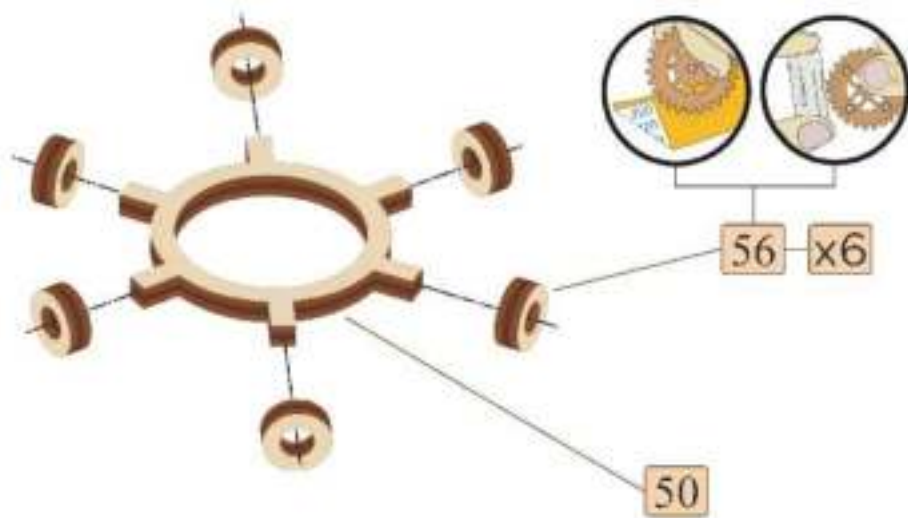
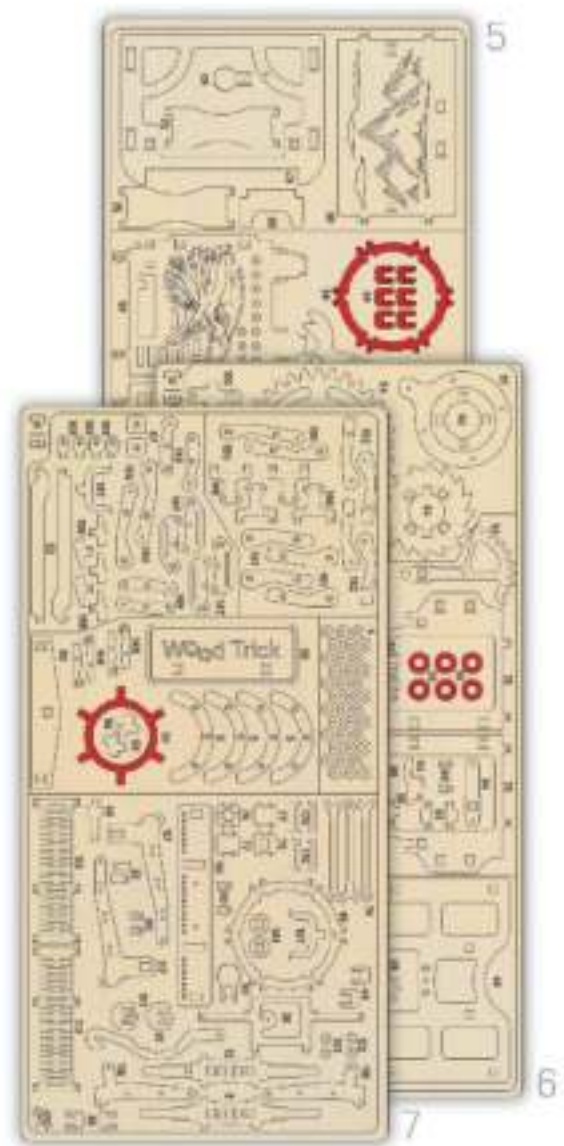






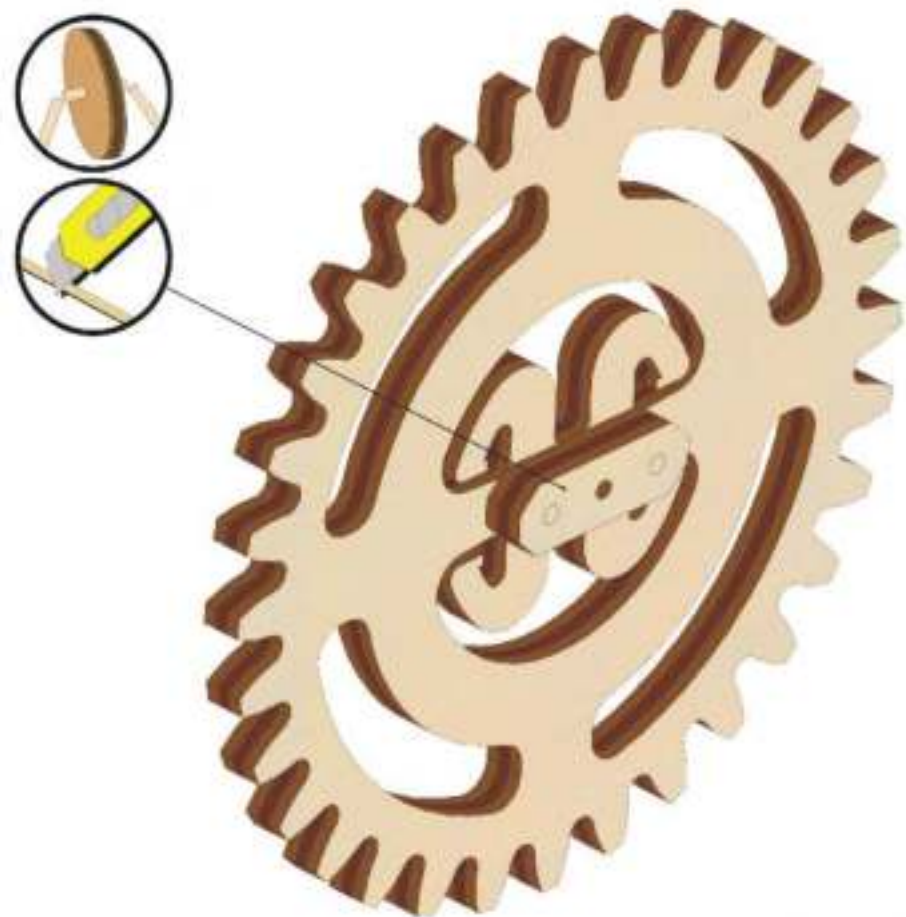




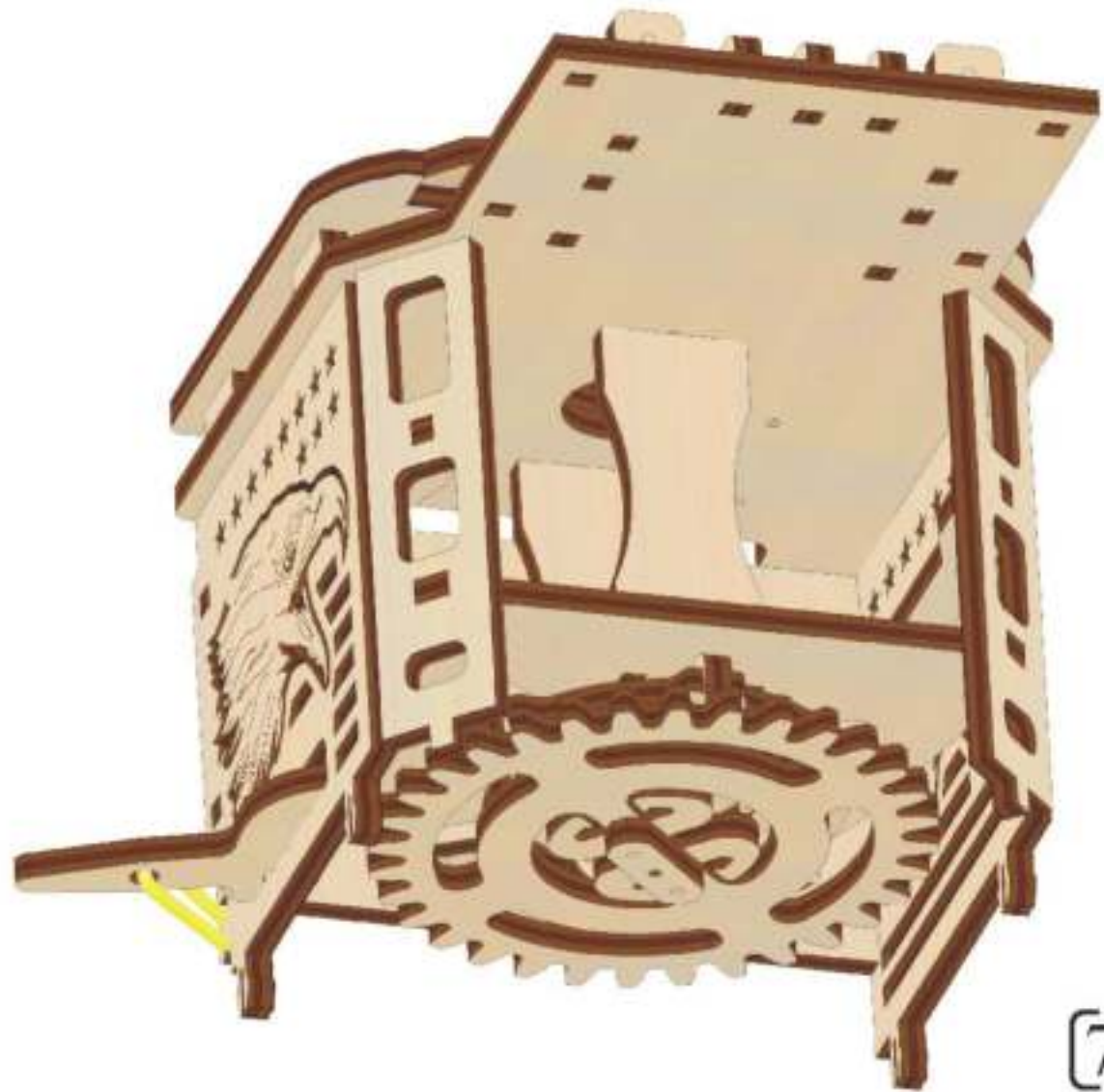


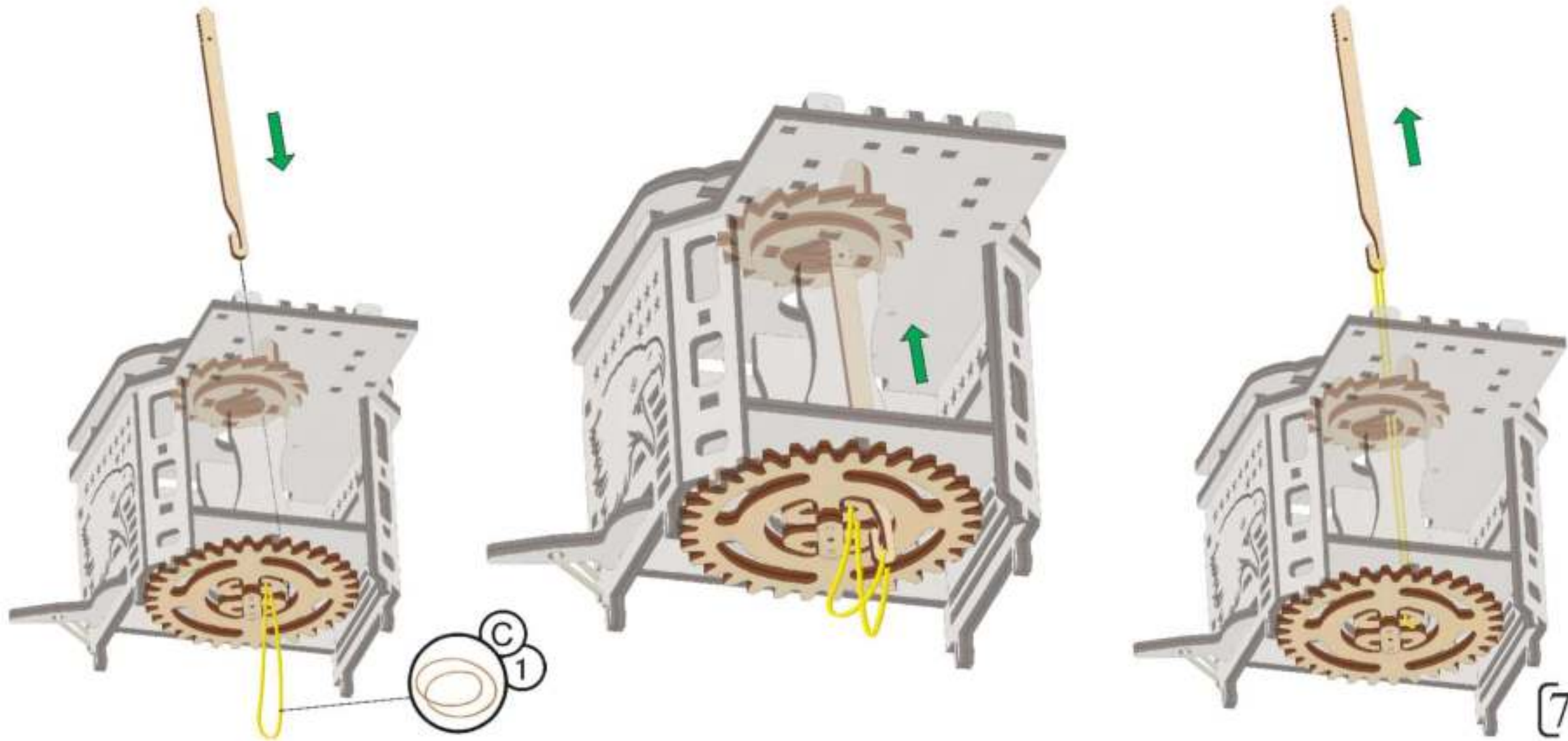


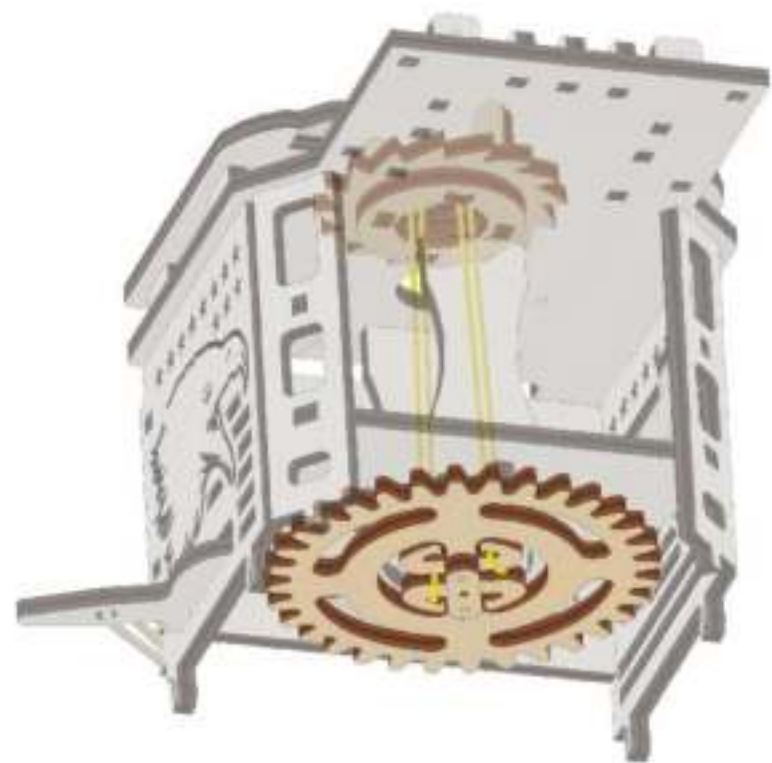
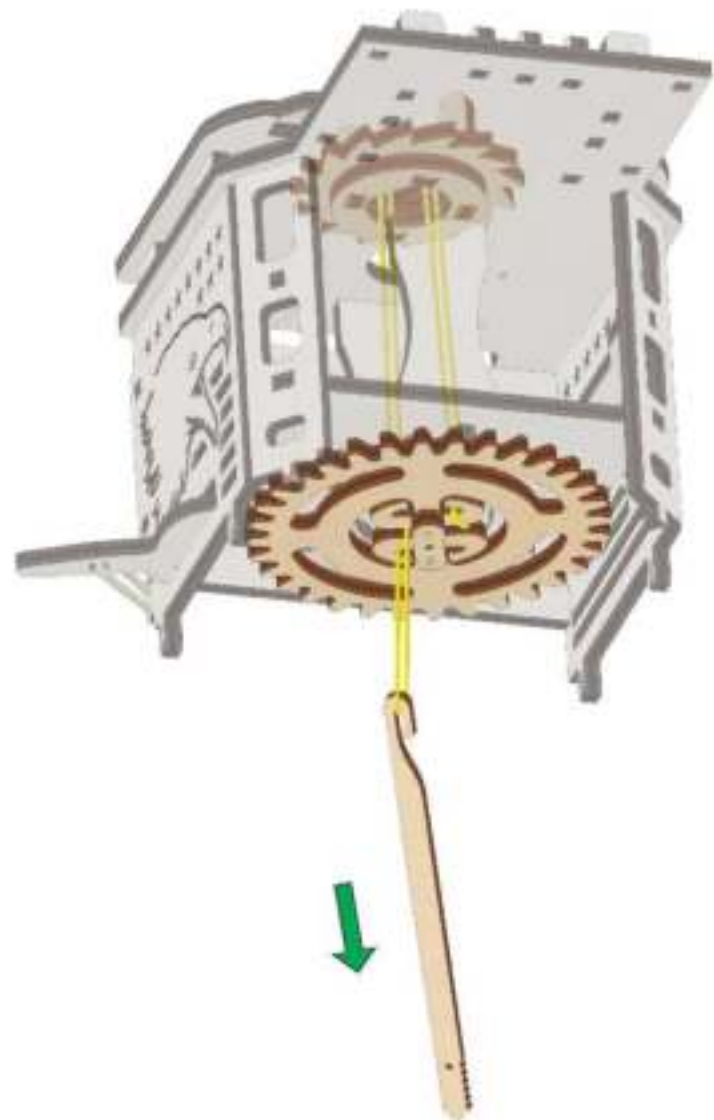
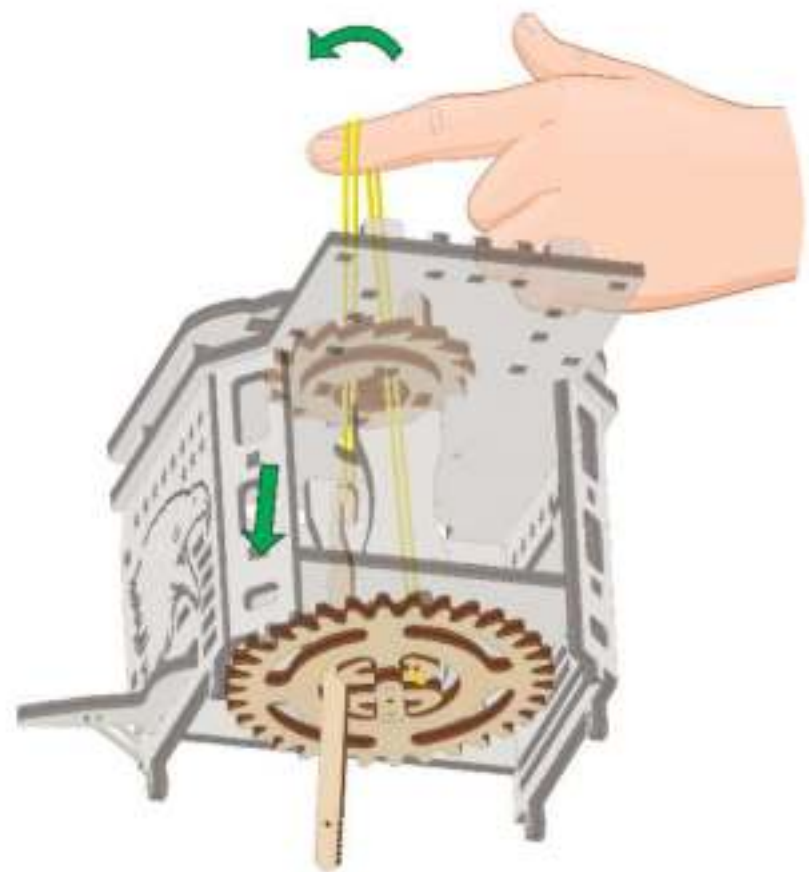
6

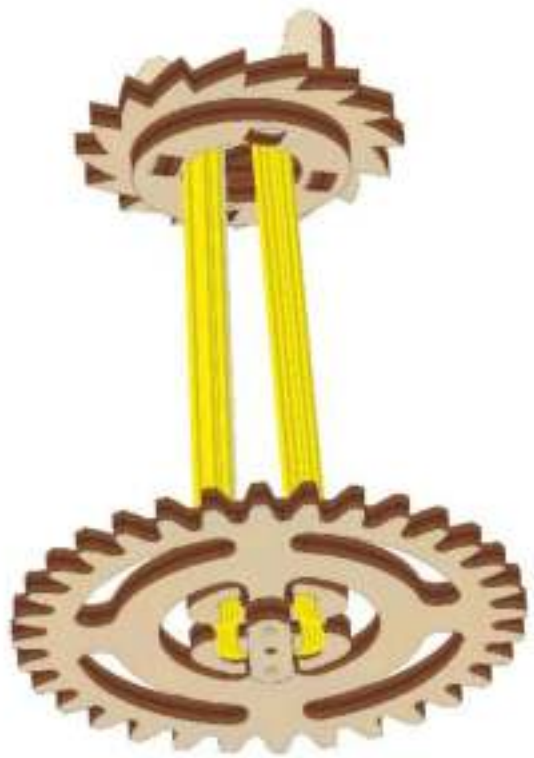
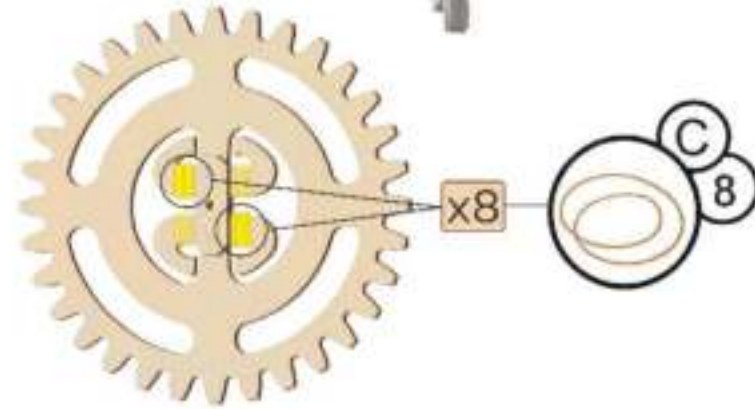
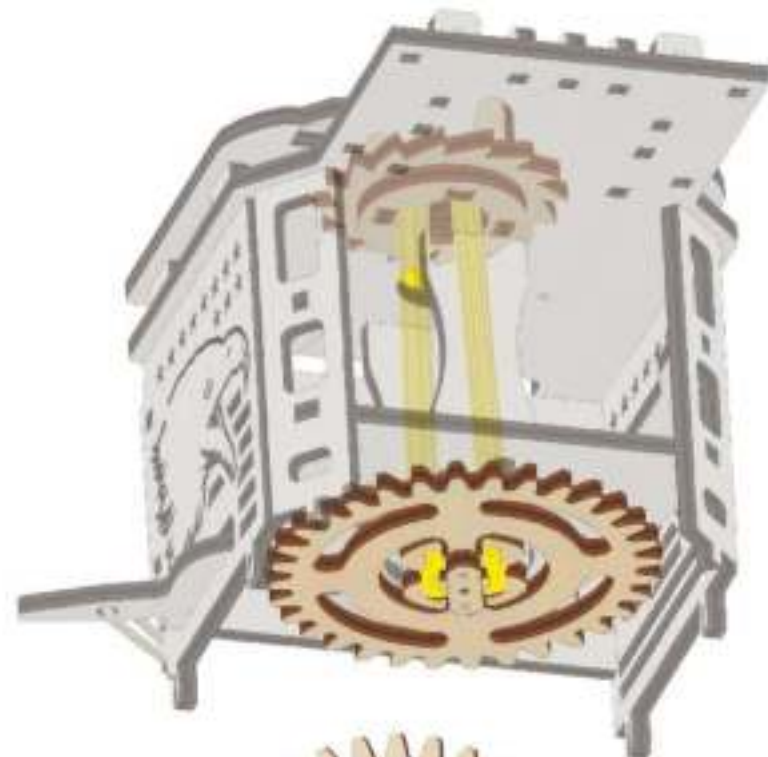
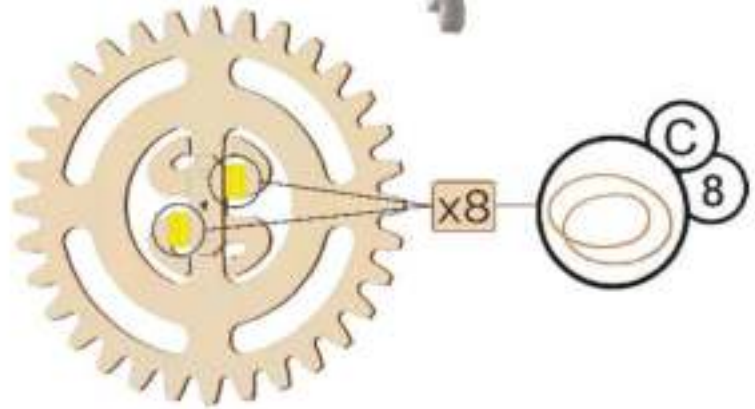
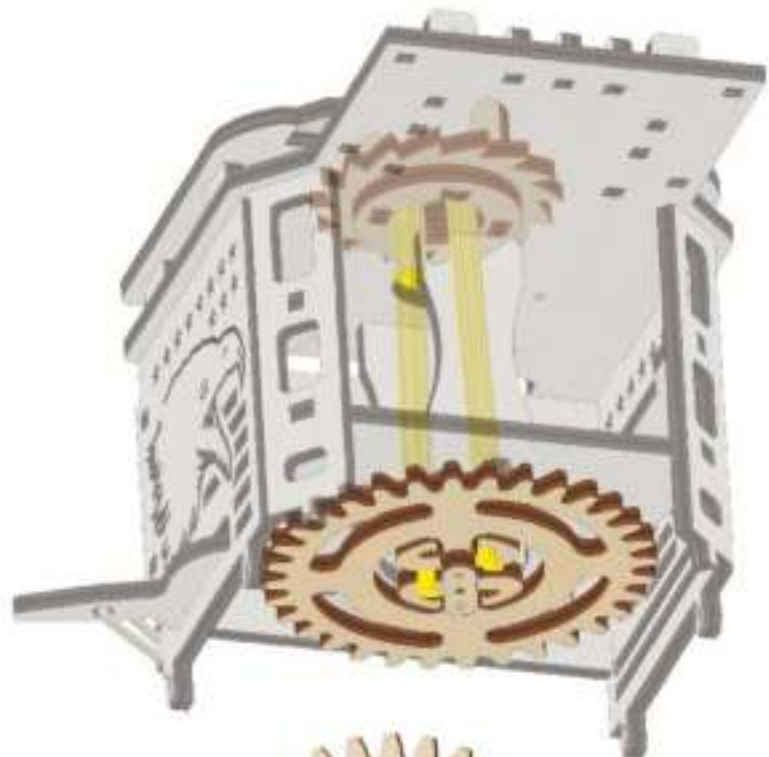


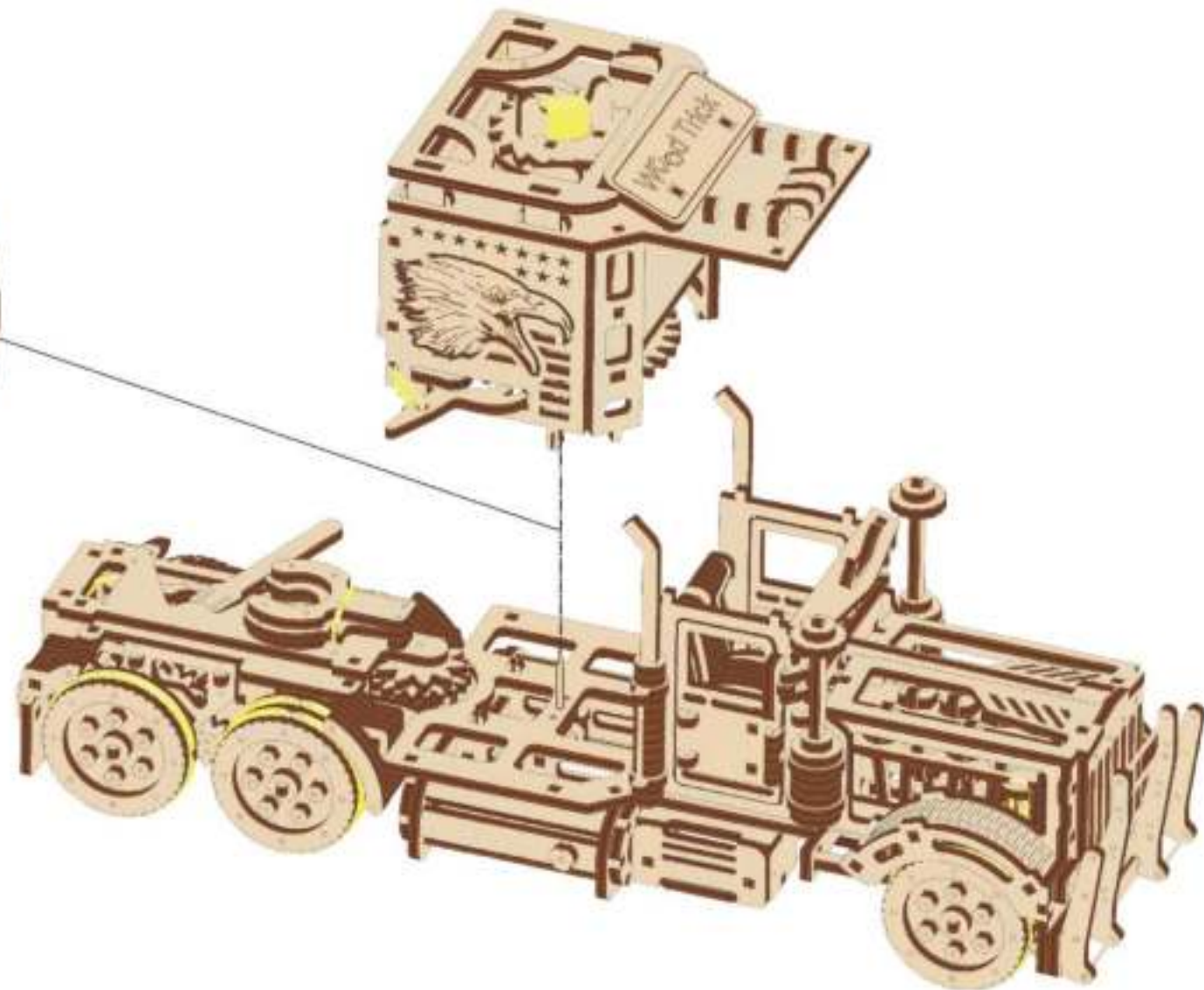
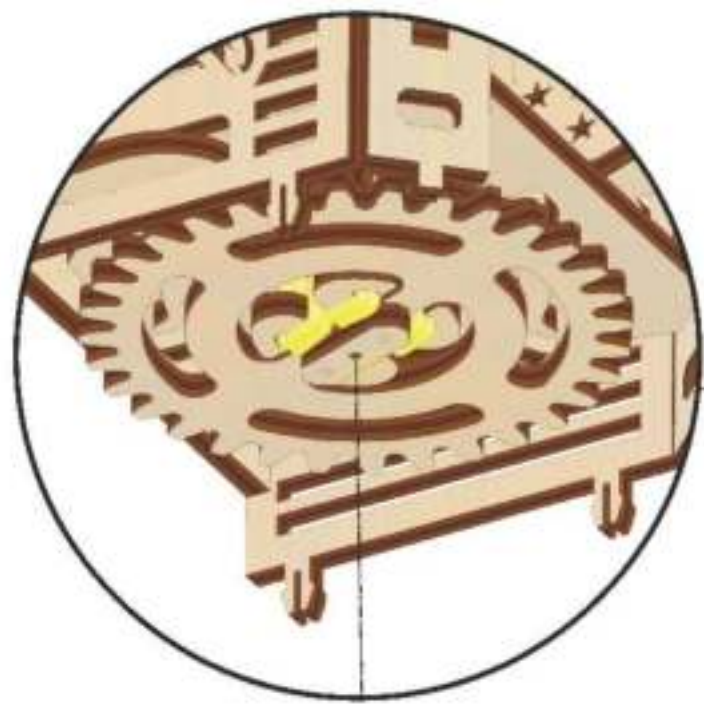
[74]



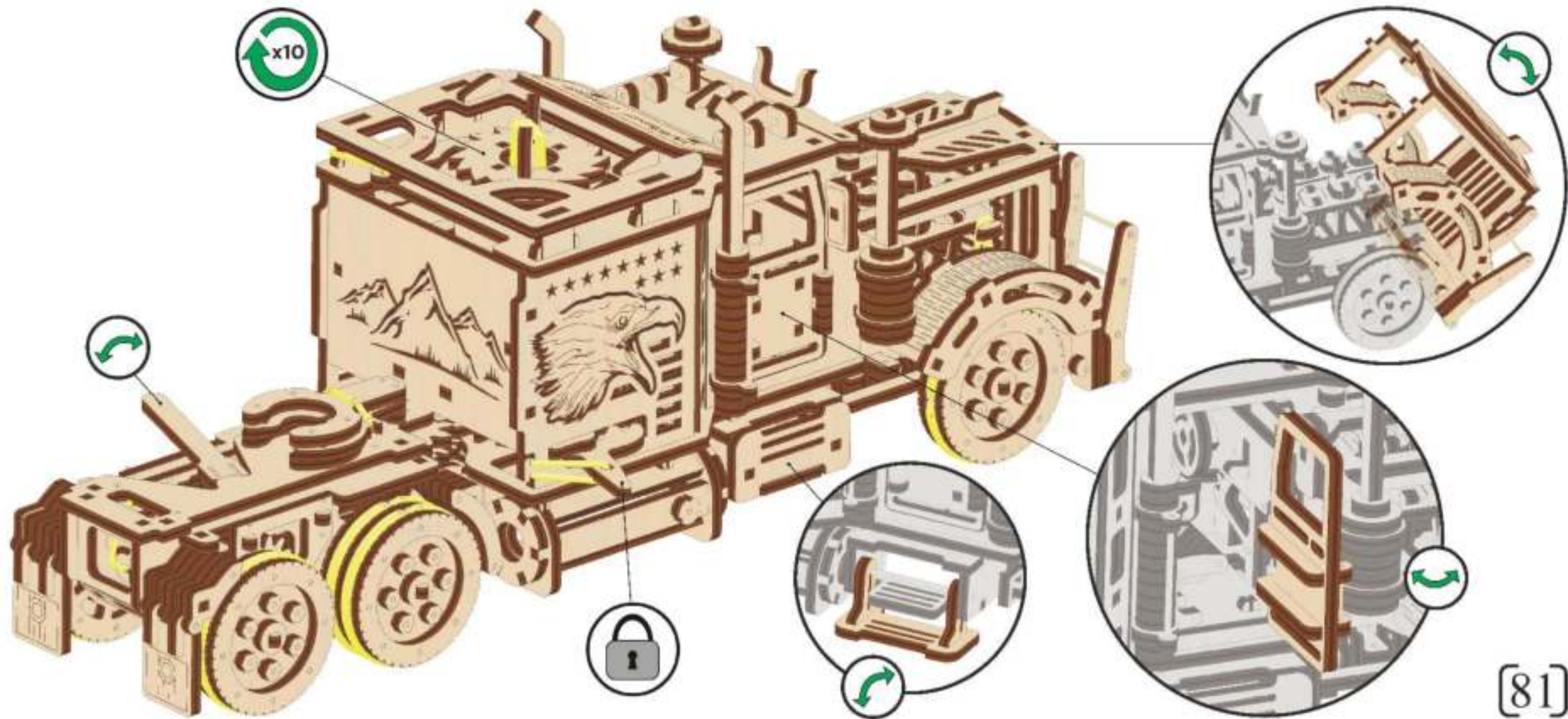


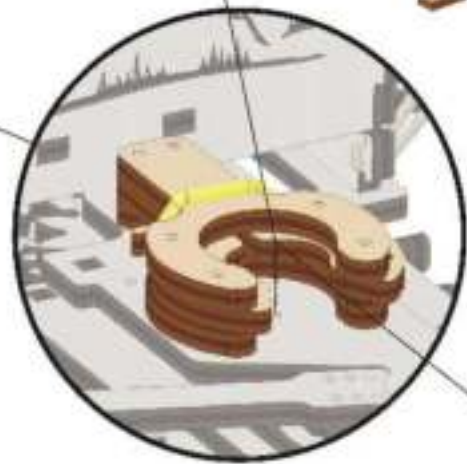
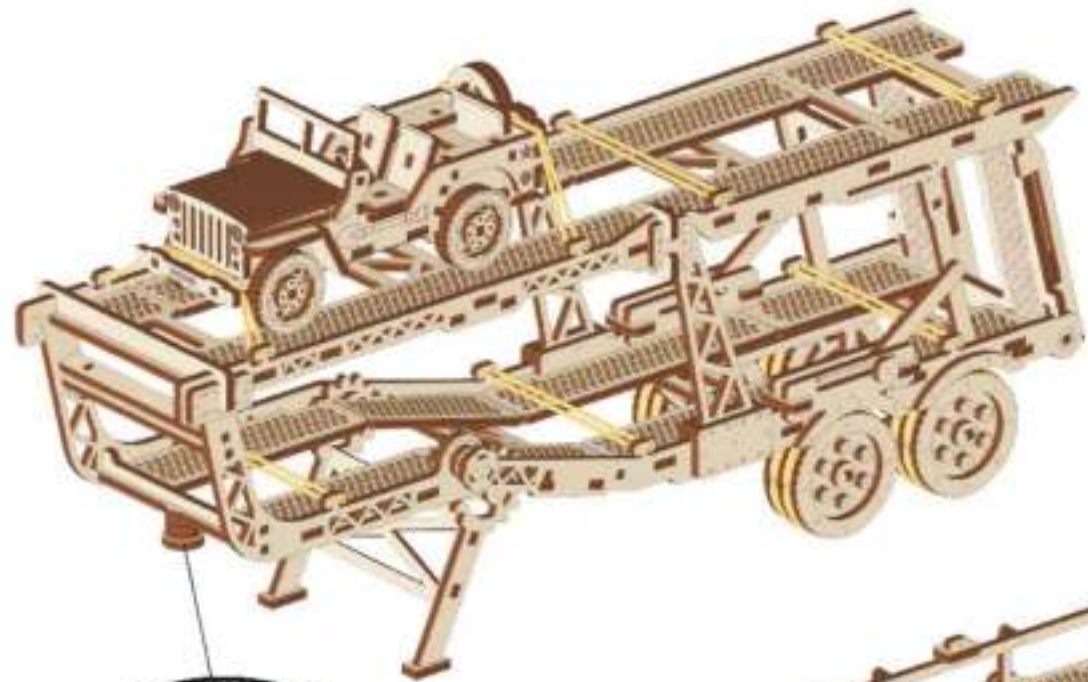














COLLECT A SET OF ADDITIONS

