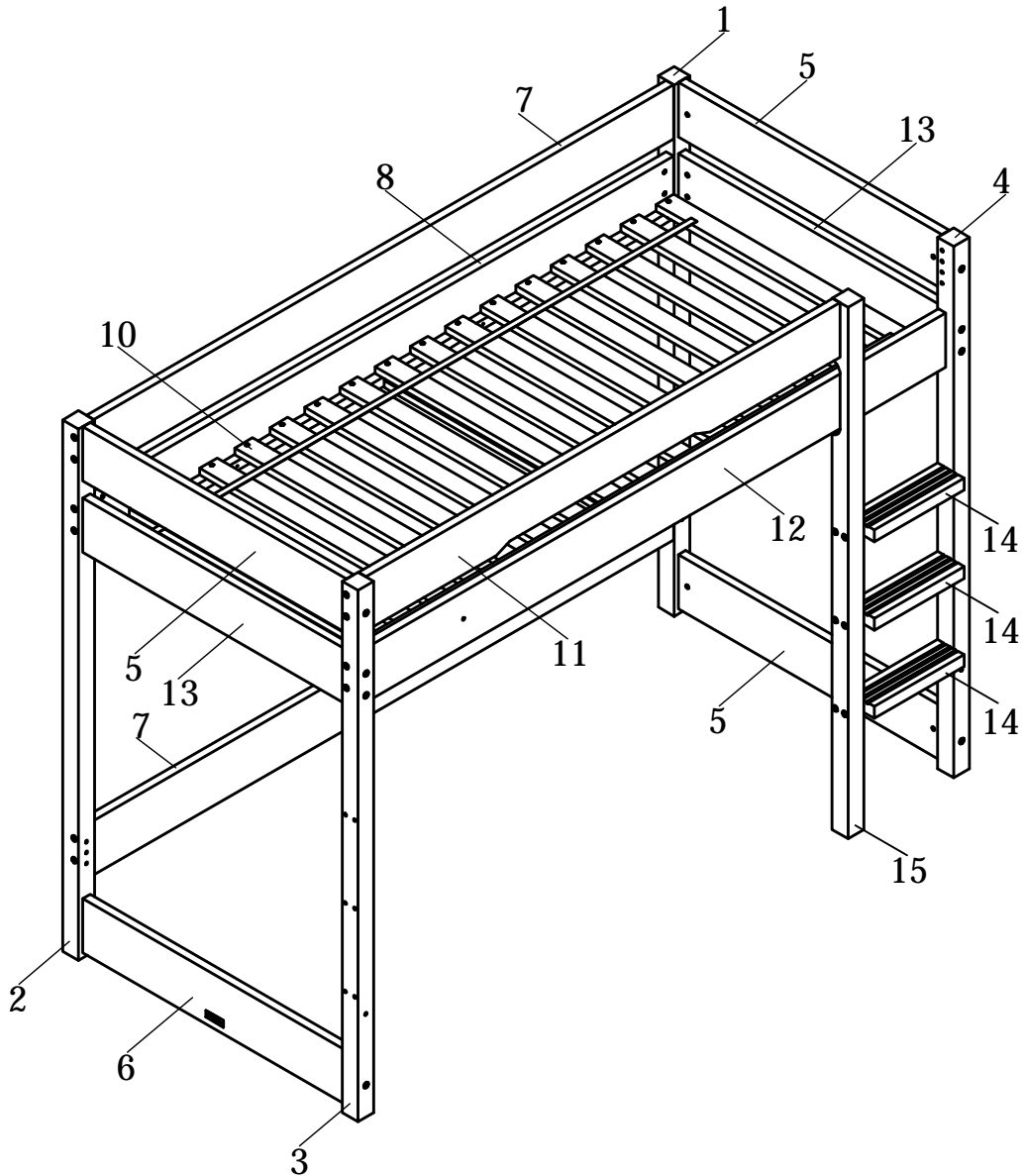


bopita®

ASSEMBLY INSTRUCTION
MONTAGE HANDLEIDING
MONTAGE ANLEITUNG
NOTICE DE MONTAGE
MANUAL DE MONTAJE

UK
NL
D
F
ESP

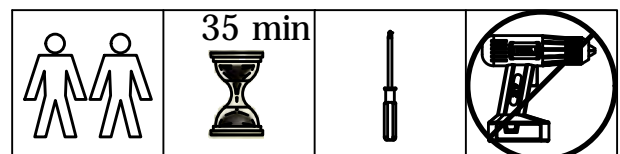
MODEL : LUCAS
TYPE : HIGHSLEEPER
COLOUR : MATT BLACK/NATURAL
ART.CODE : 129232.19






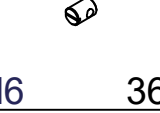
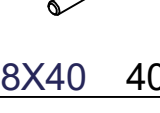

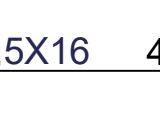
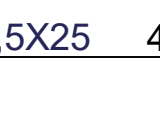

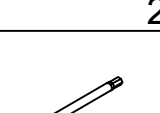

Distributor:

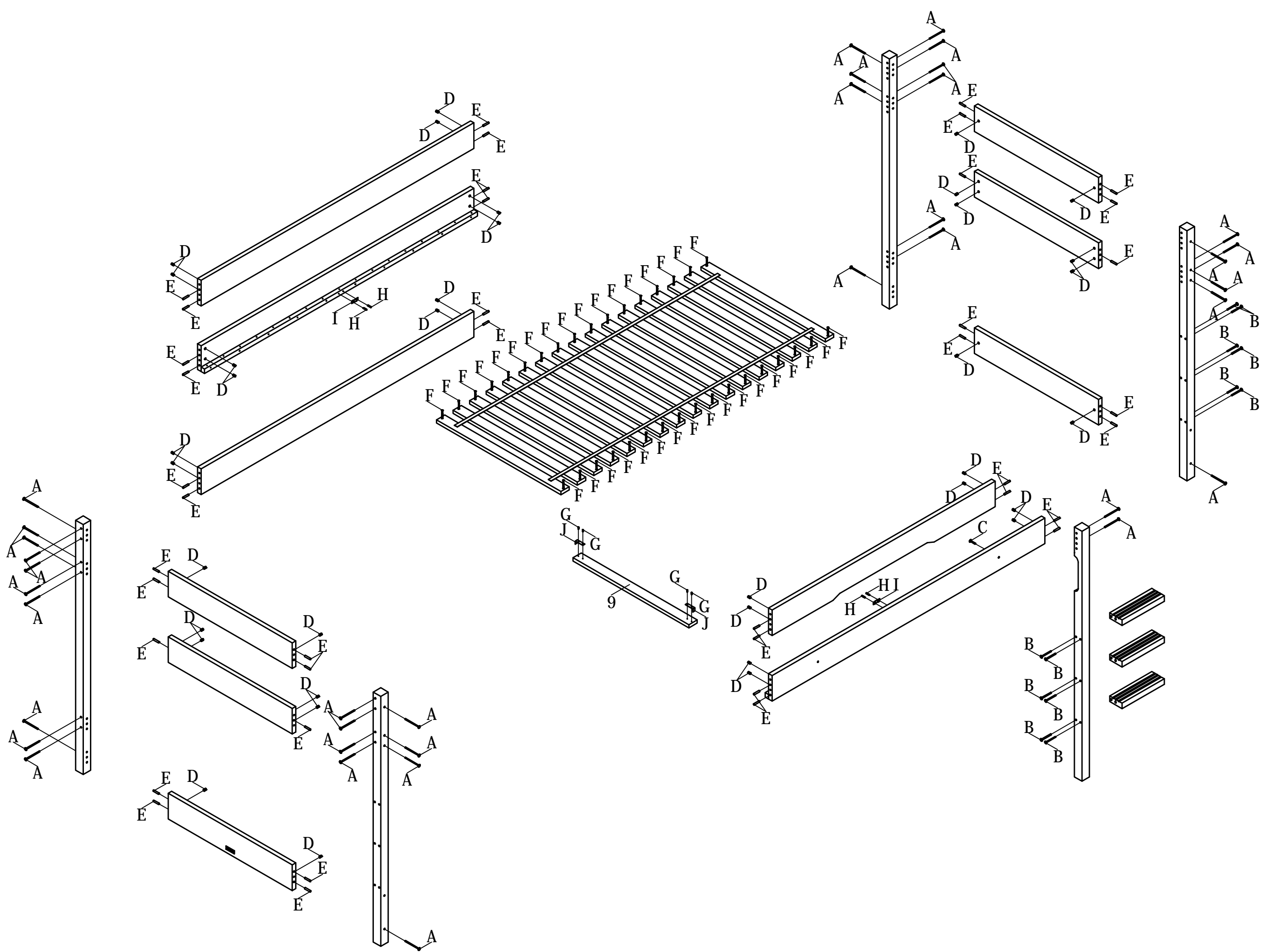
BOPITA
Edisonweg 3, 6662 NW Elst
The Netherlands

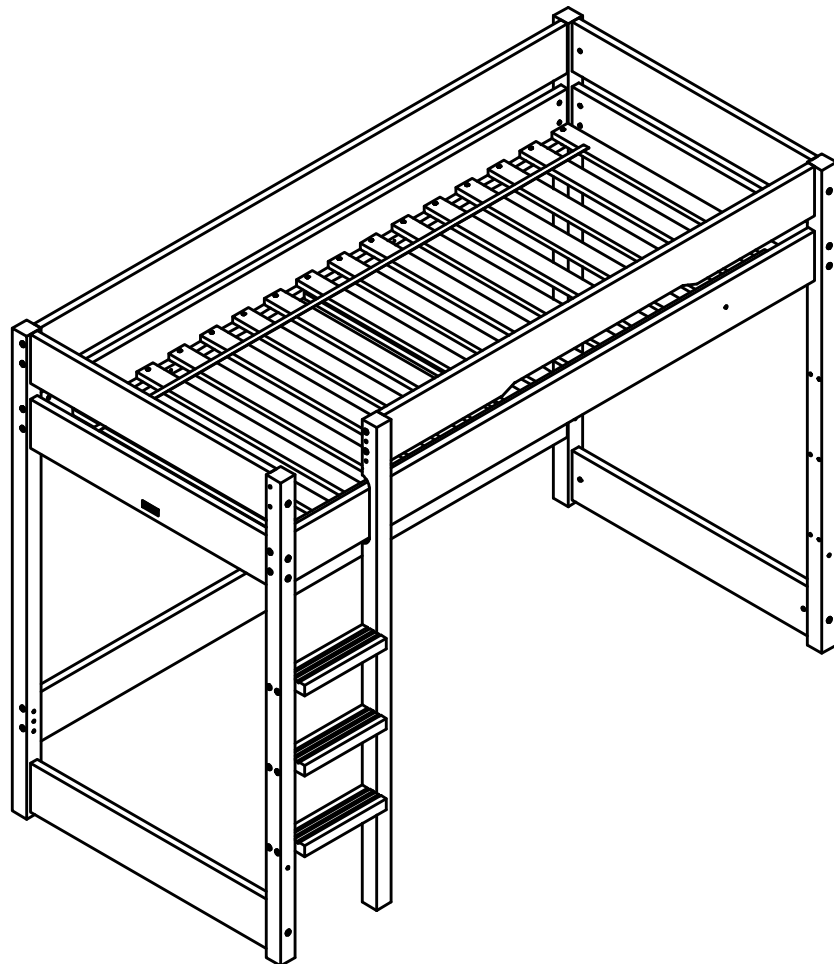
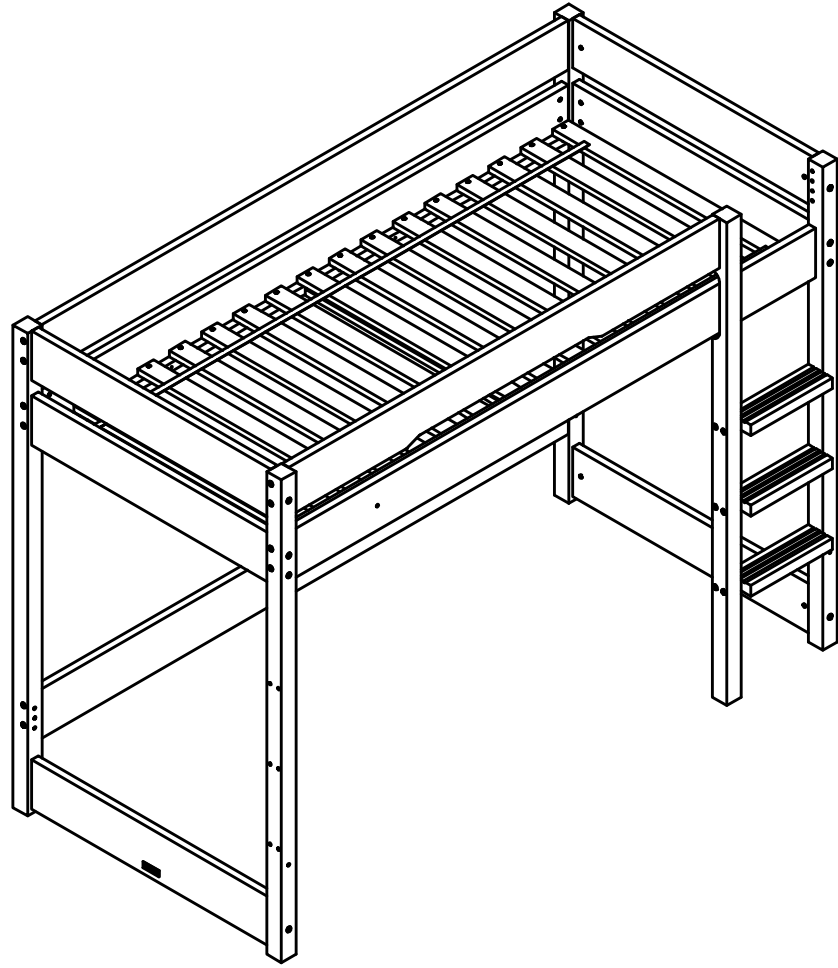
www.bopita.com

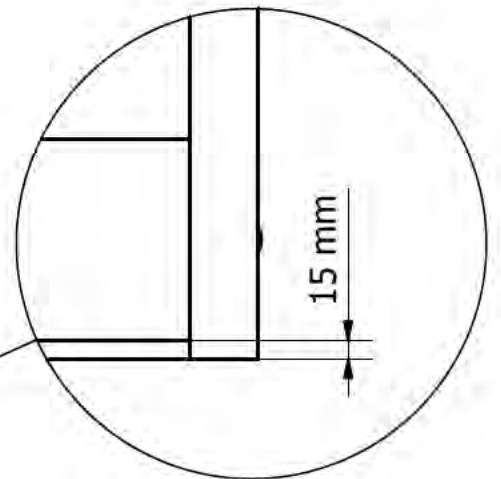
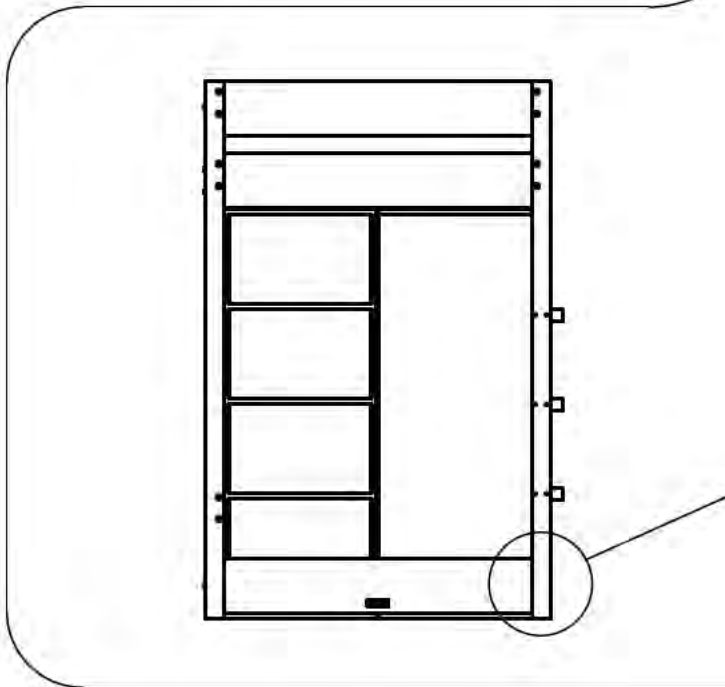
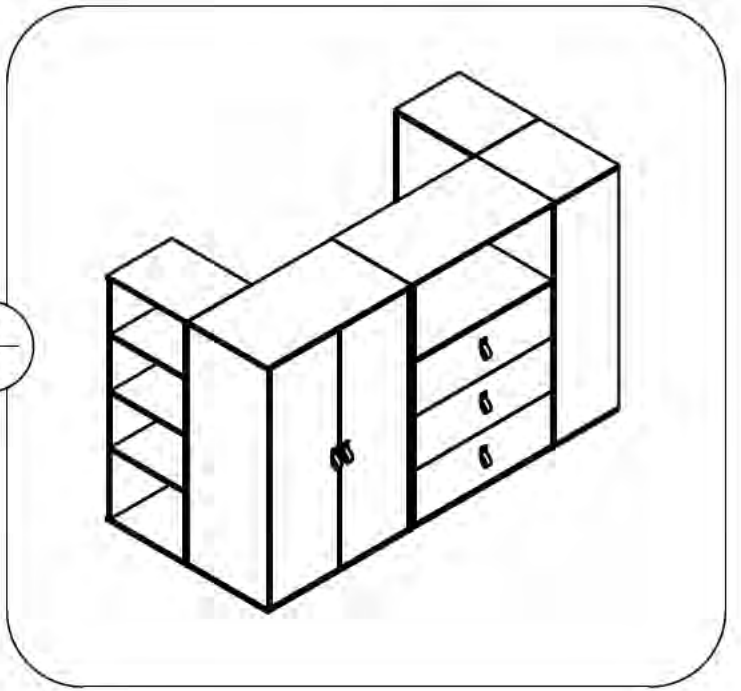
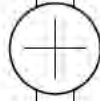
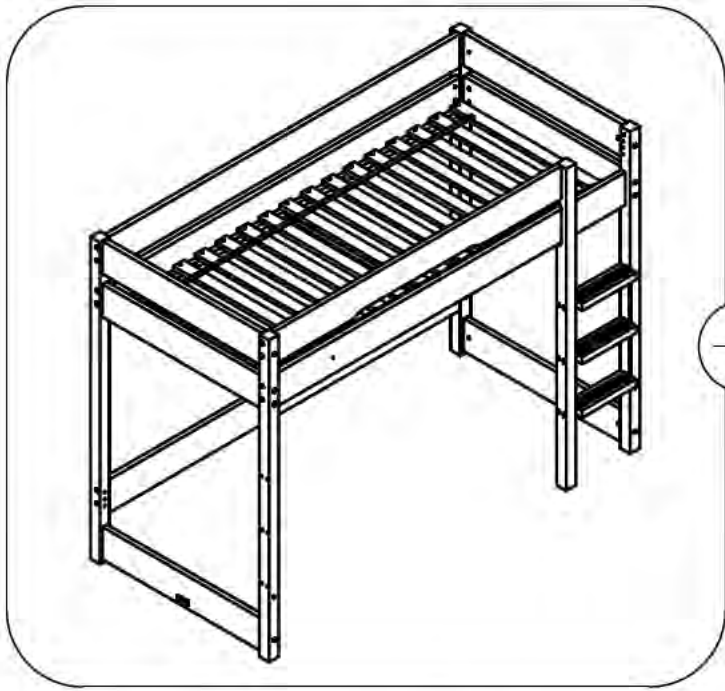


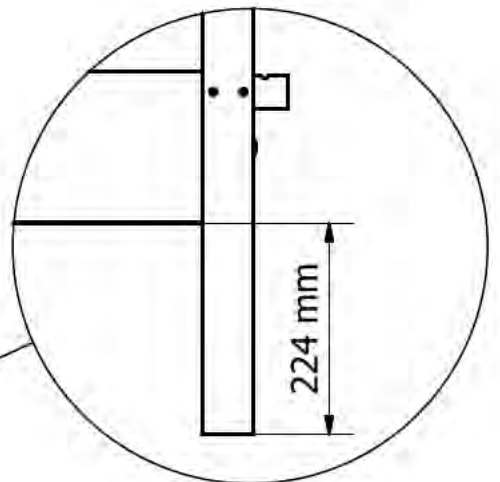
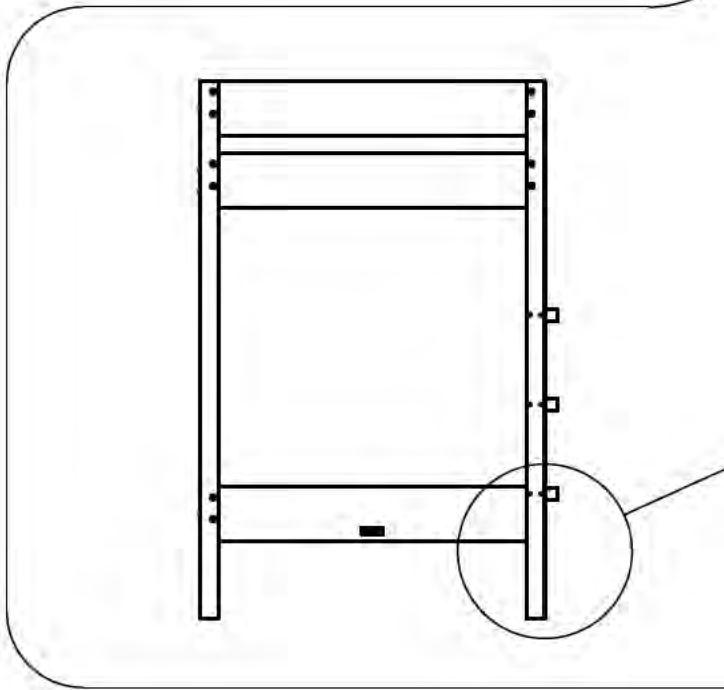
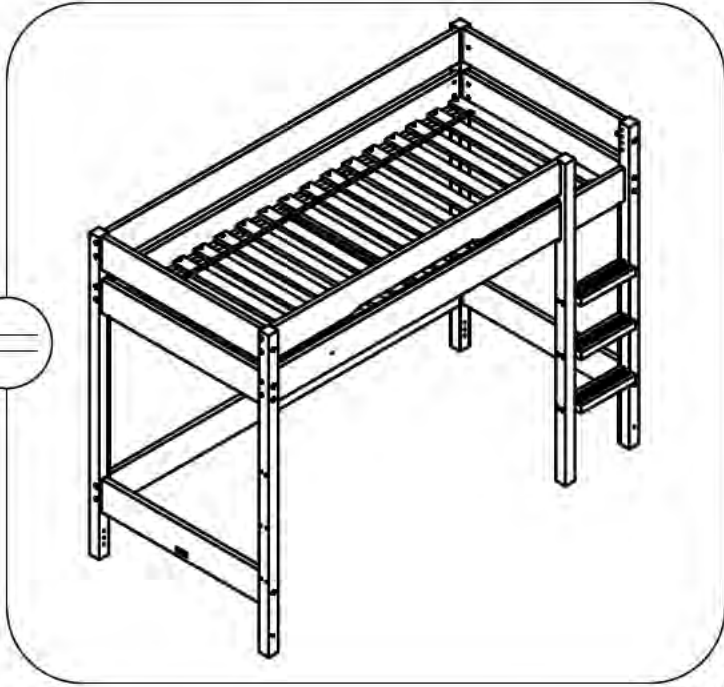
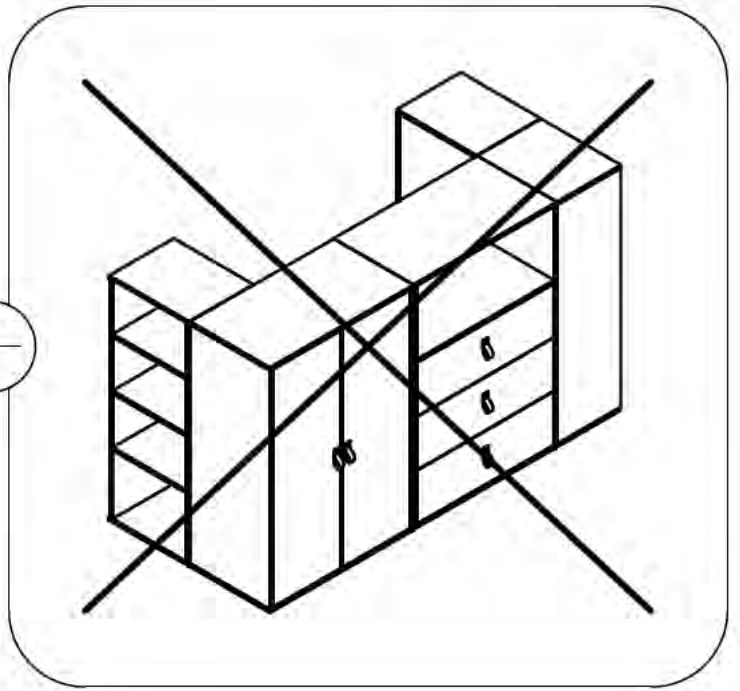
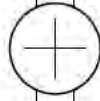
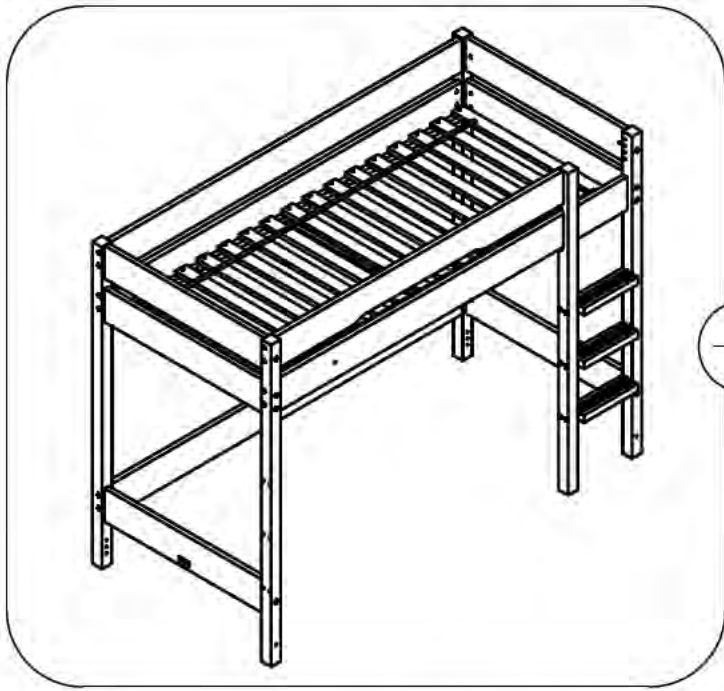
15.03.2023.

| | |
|--------|---|
| A |  |
| M6X100 | 36X |
| B |  |
| M6X70 | 12X |
| C |  |
| M6X35 | 1X |
| D |  |
| M6 | 36X |
| E |  |
| Ø8X40 | 40X |
| F |  |
| 5X40 | 34X |
| G |  |
| 3,5X16 | 4X |
| H |  |
| 3,5X25 | 4X |
| I |  |
| | 2X |
| J |  |
| | 2X |
| K |  |
| SW4 | 1X |

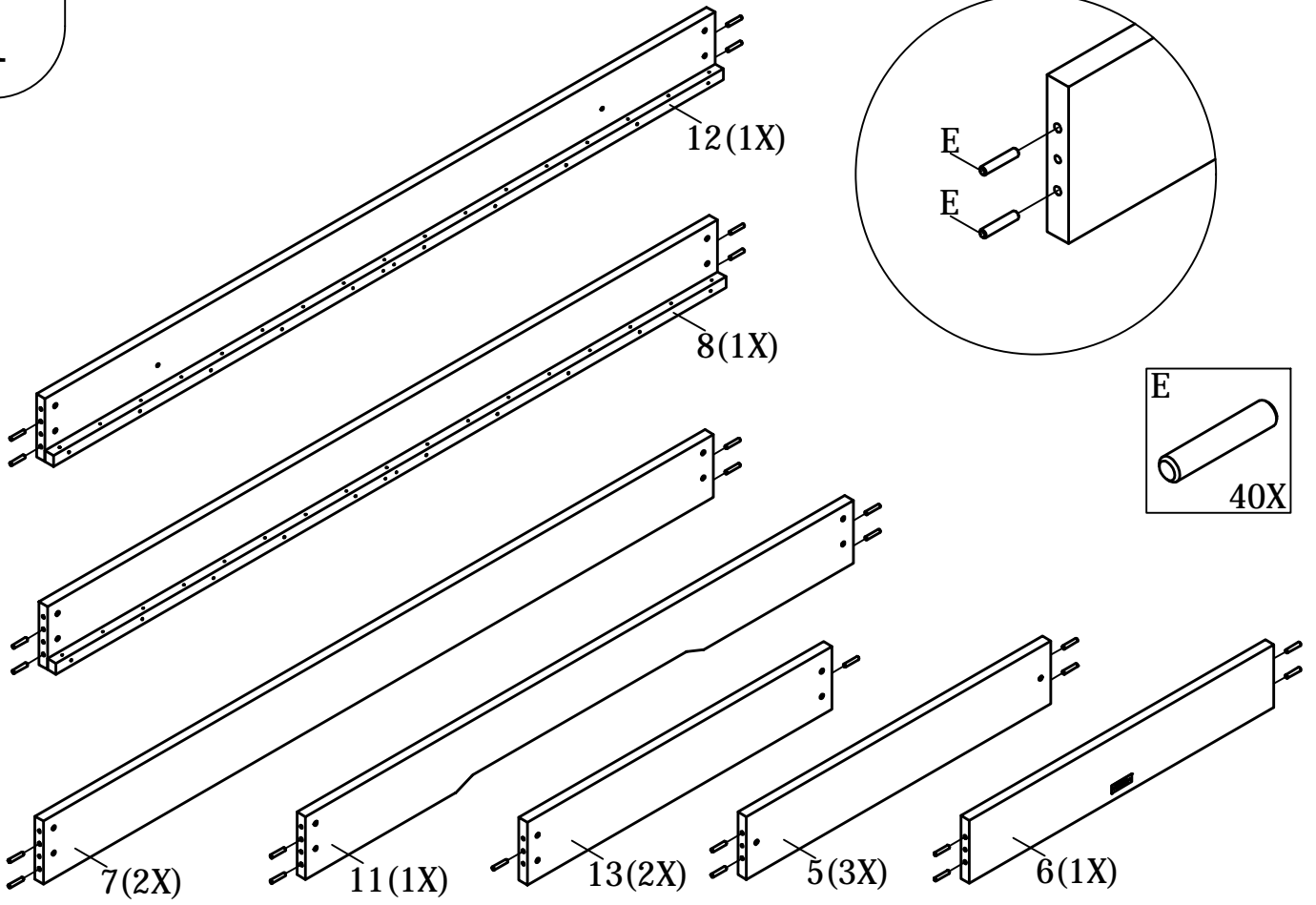




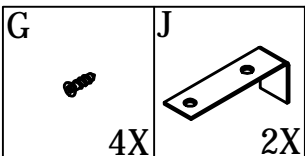
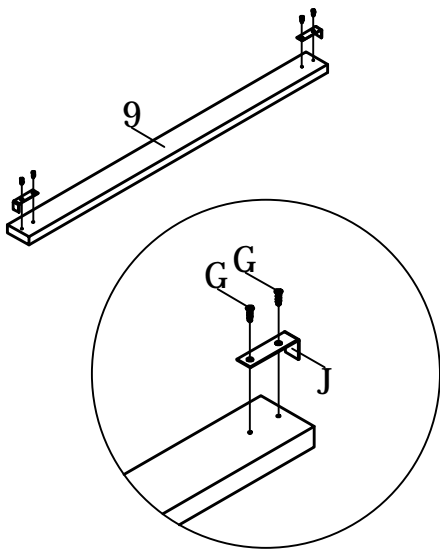




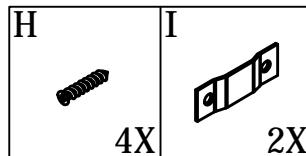
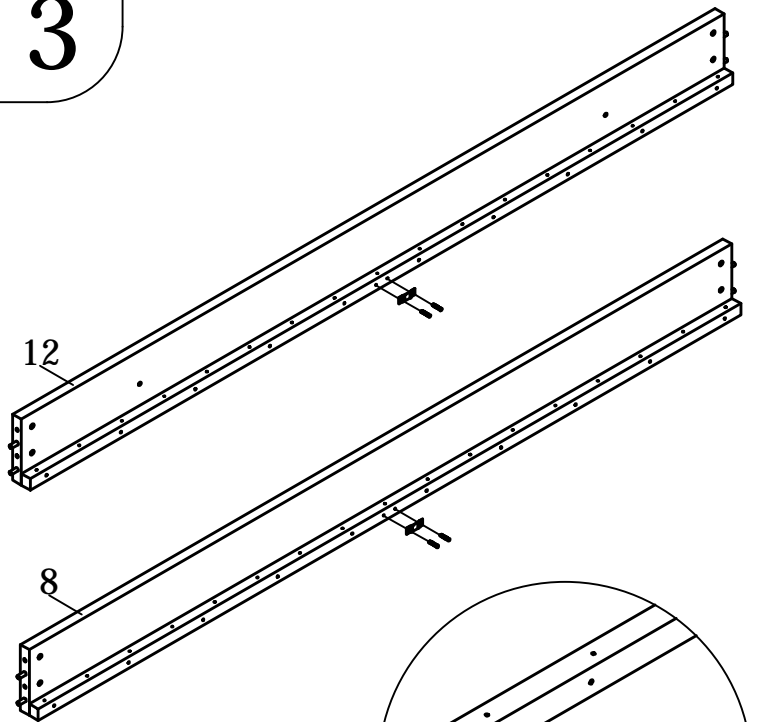
1



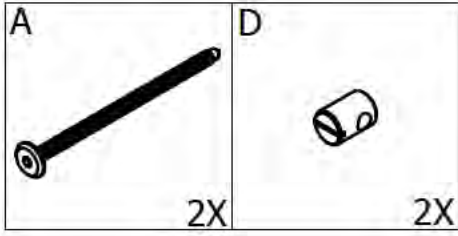
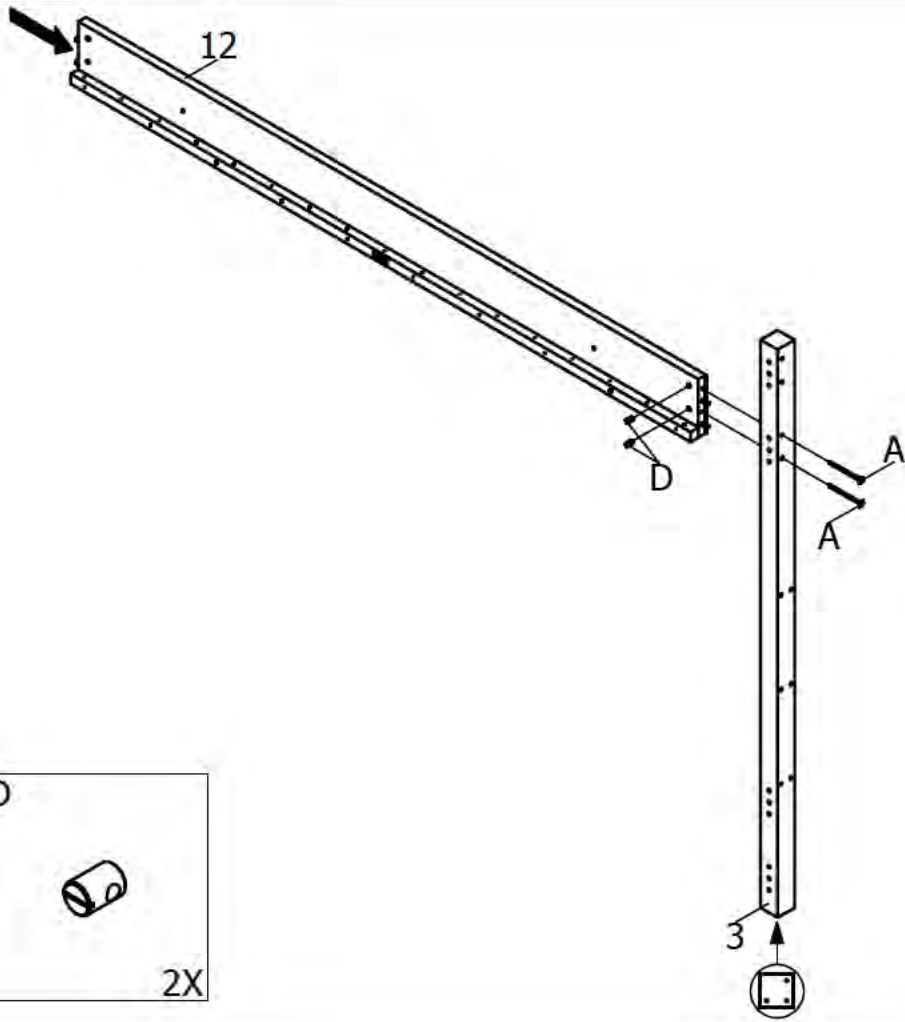
2



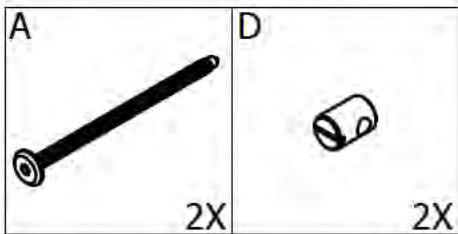
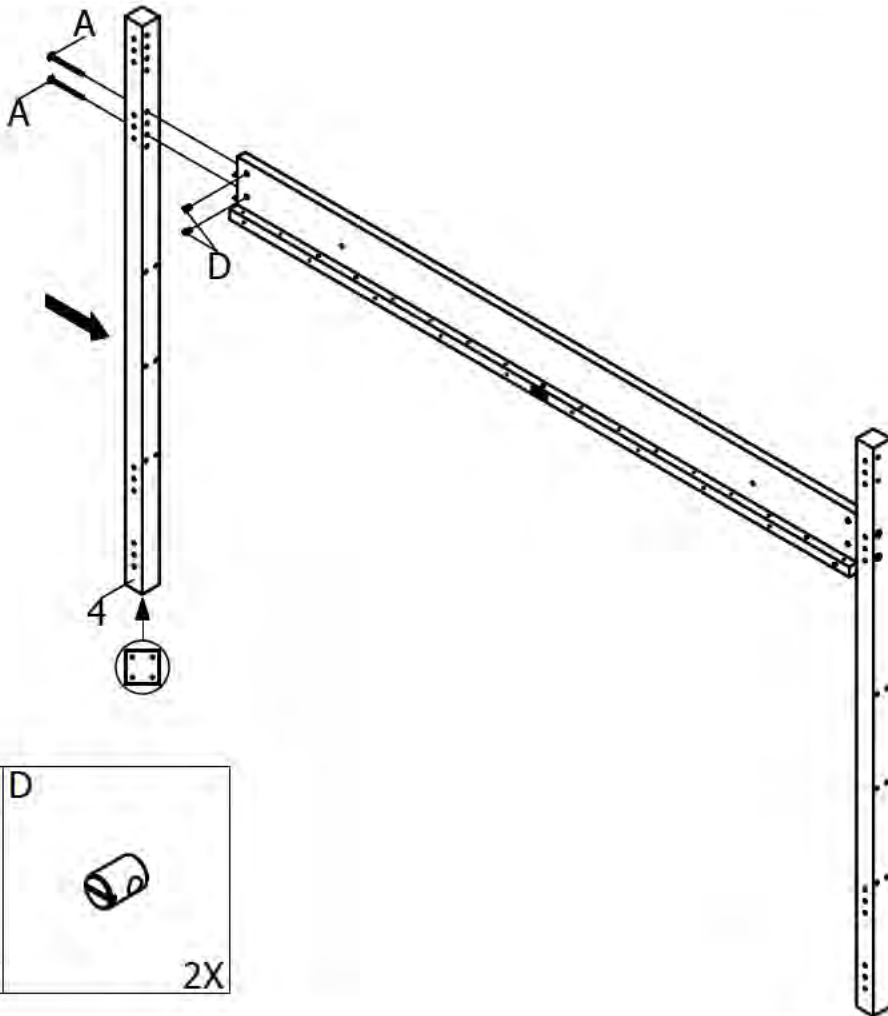
3



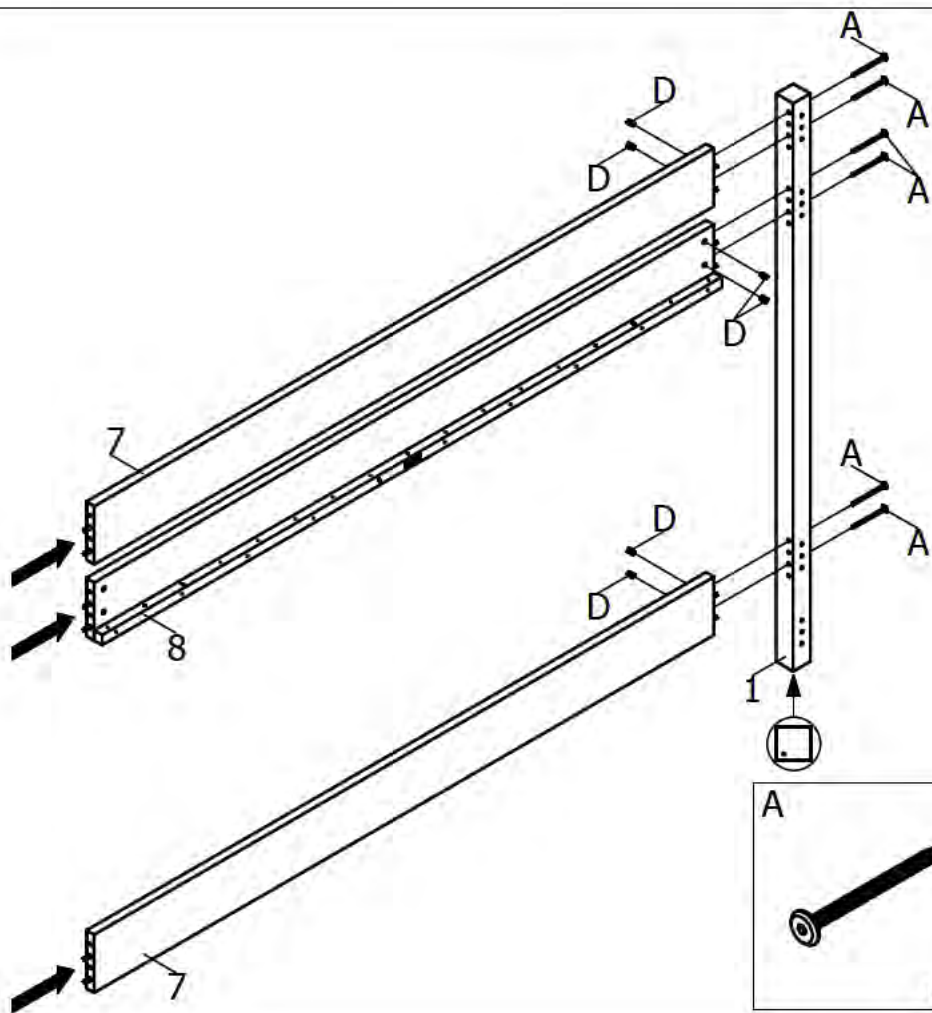
4



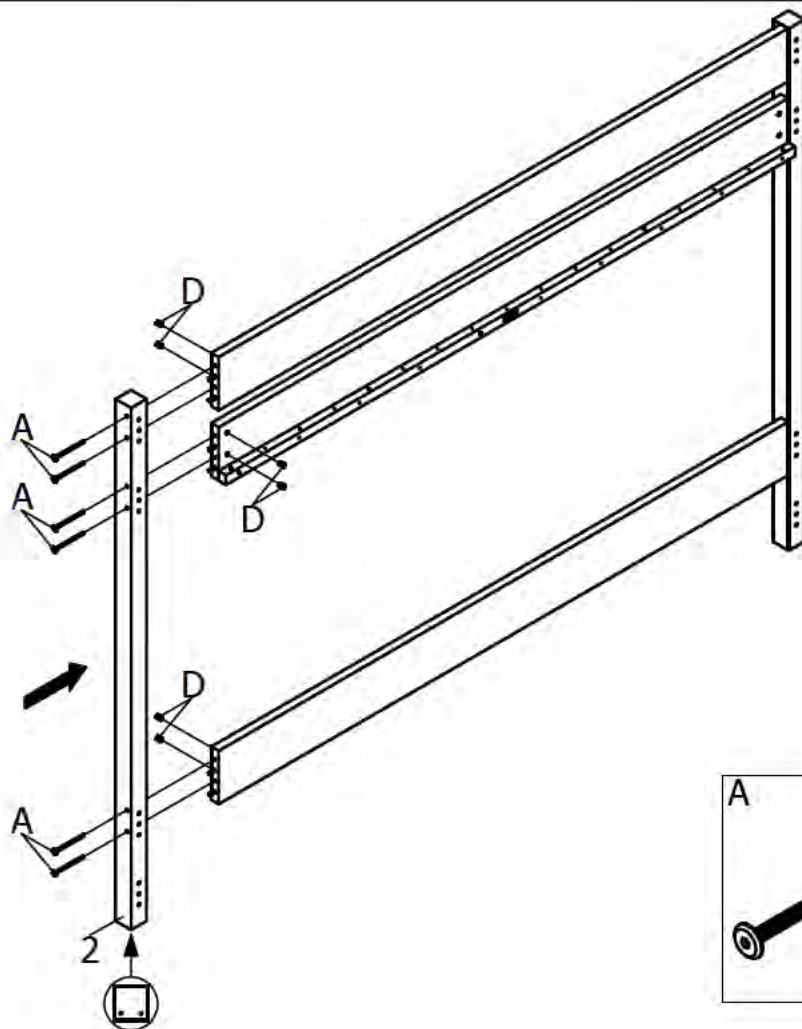
5



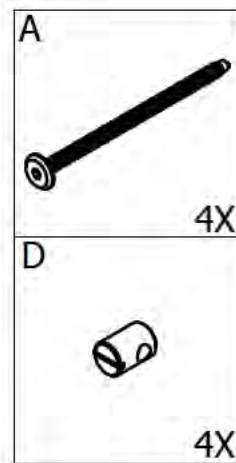
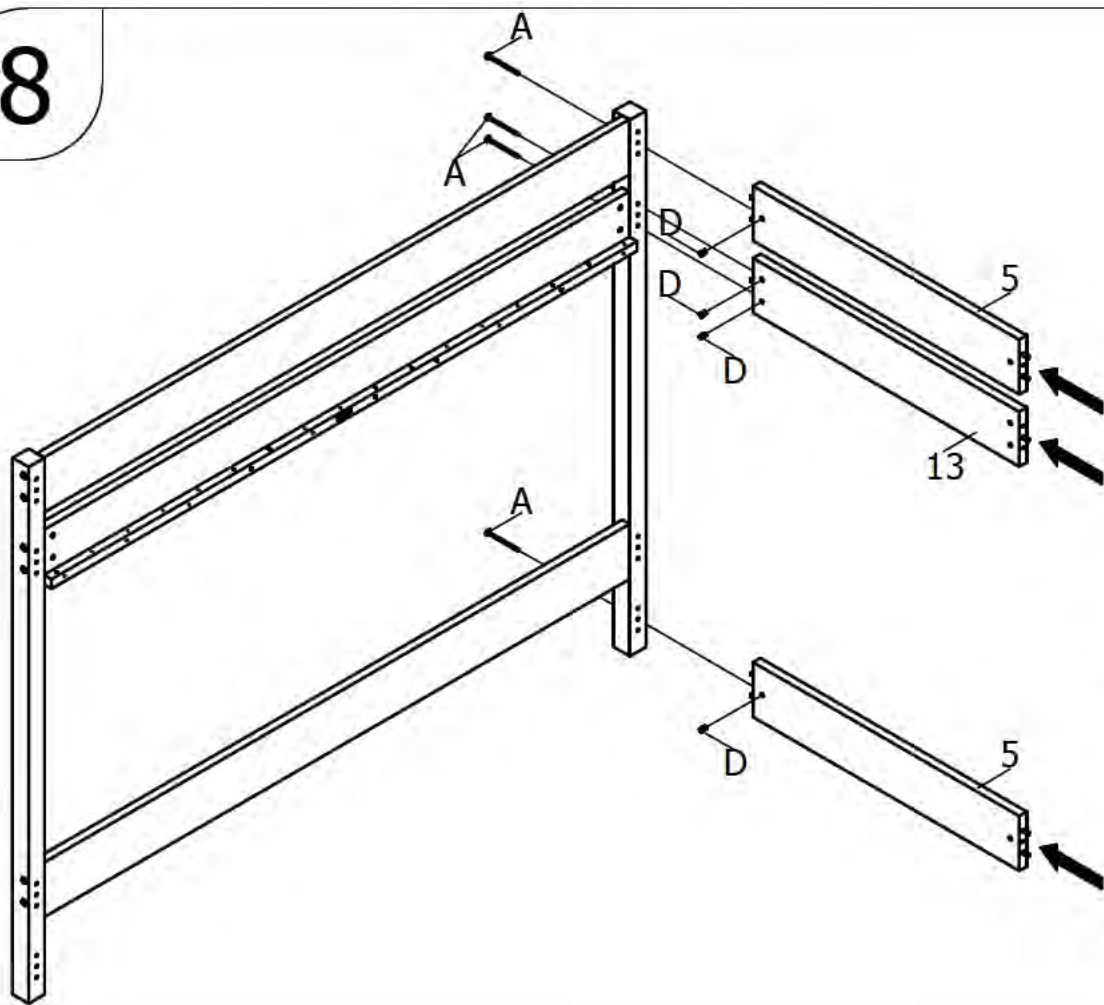
6



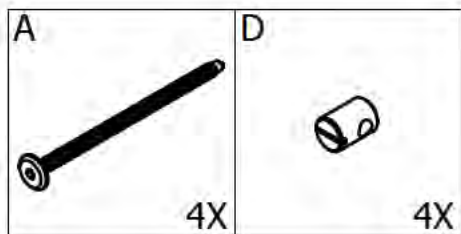
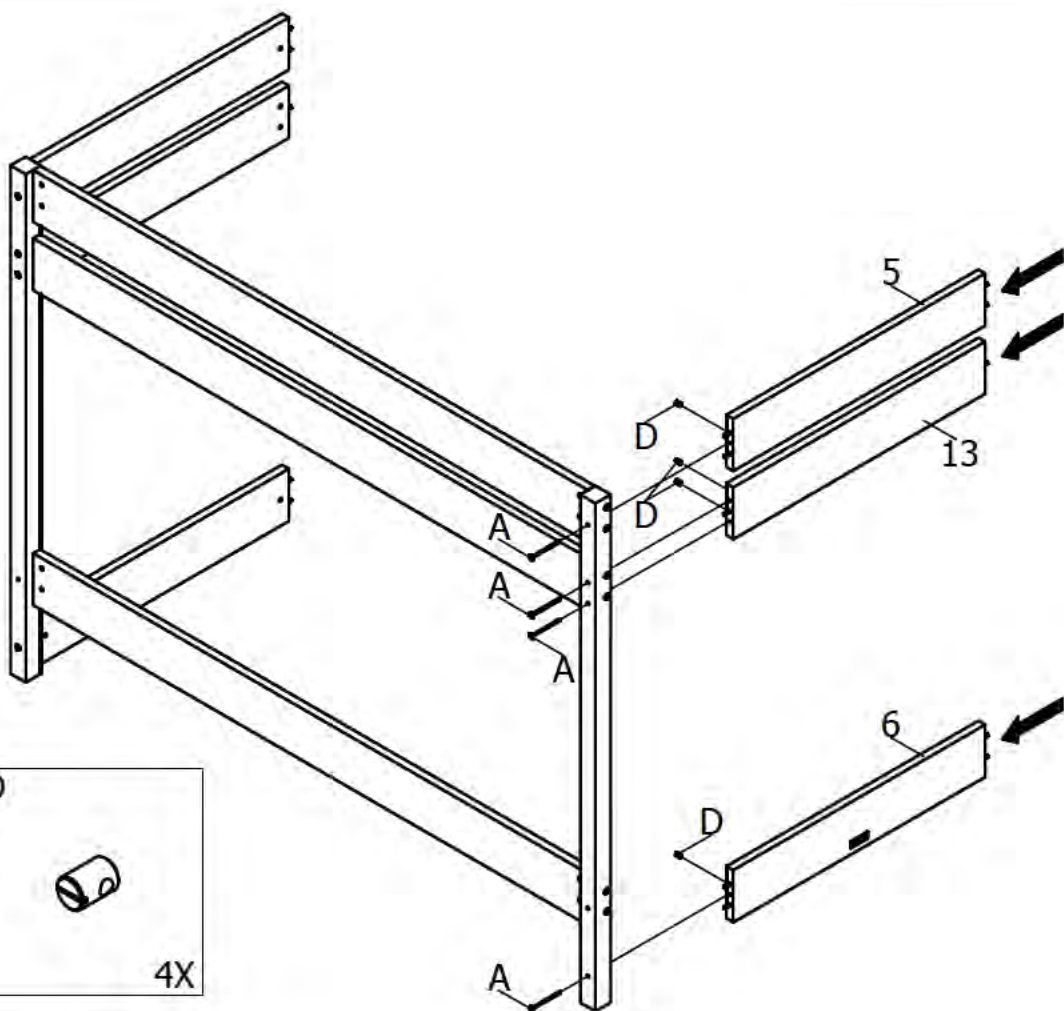
7



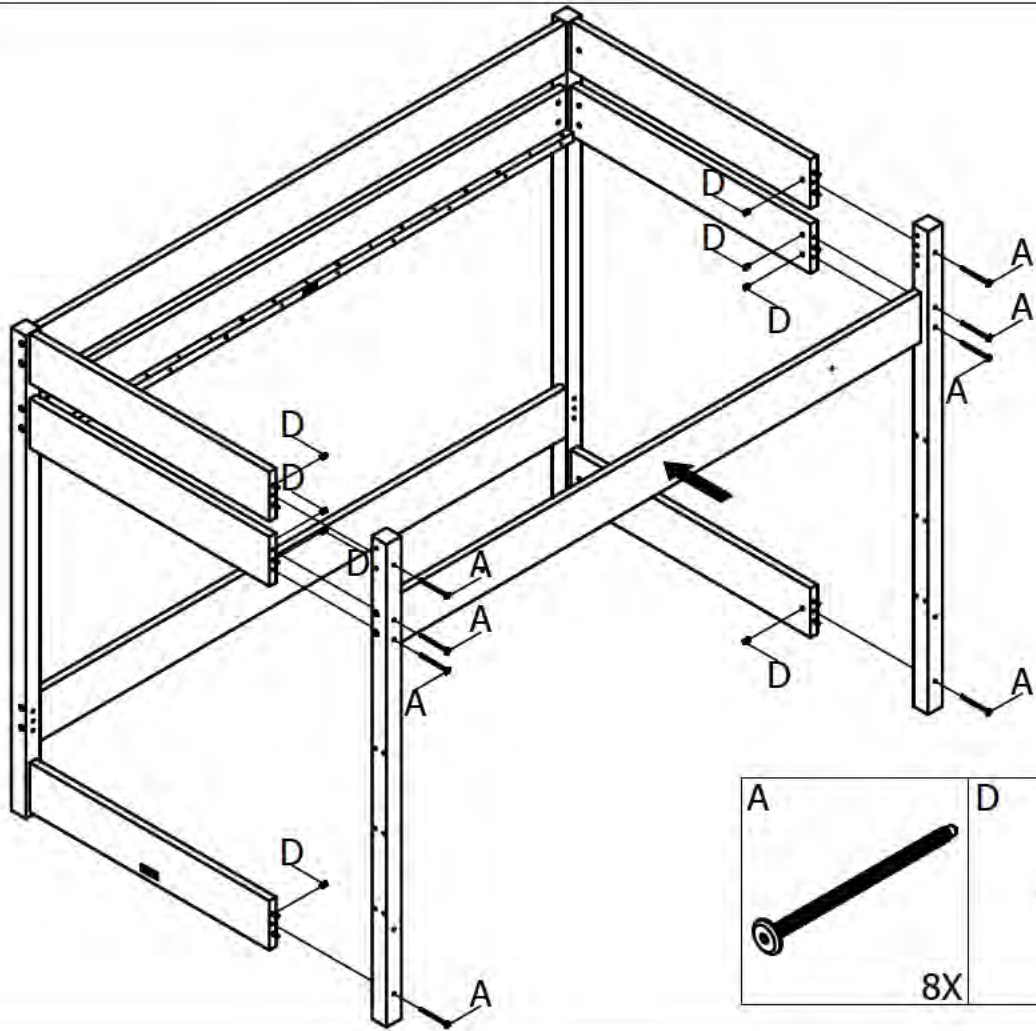
8



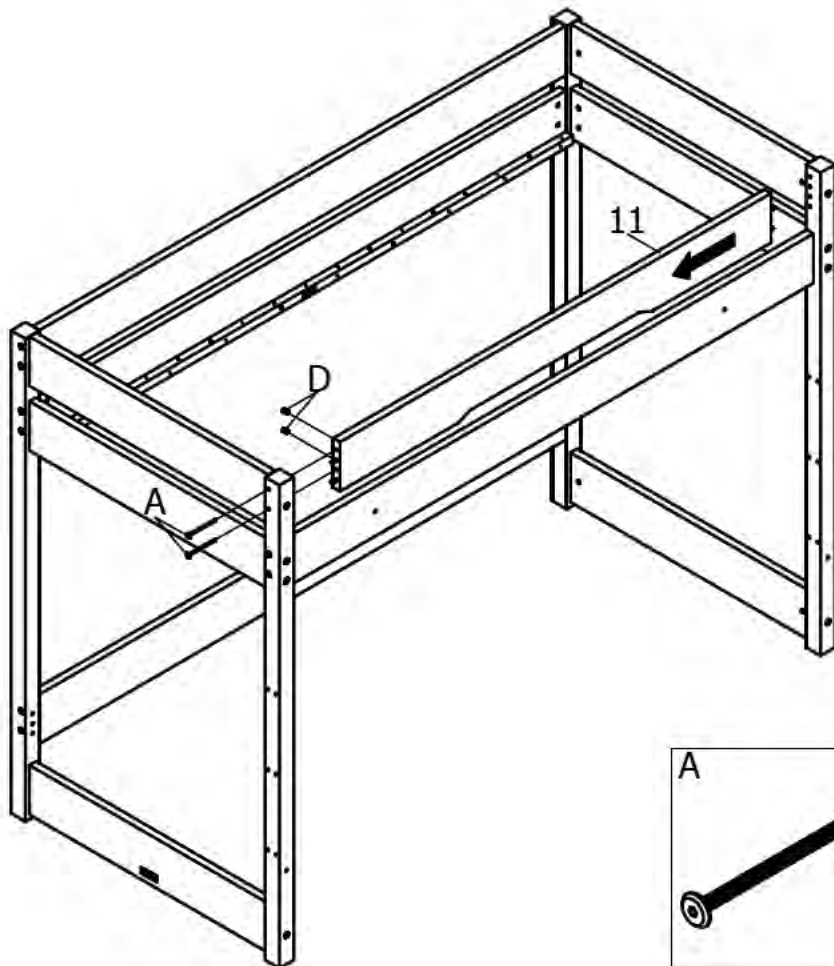
9



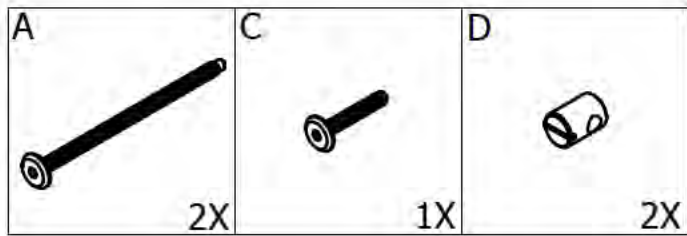
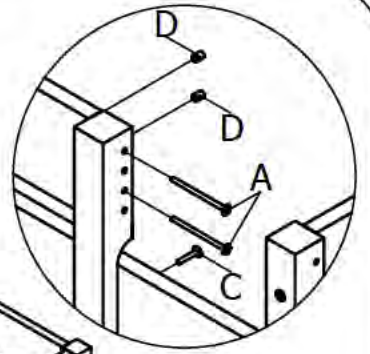
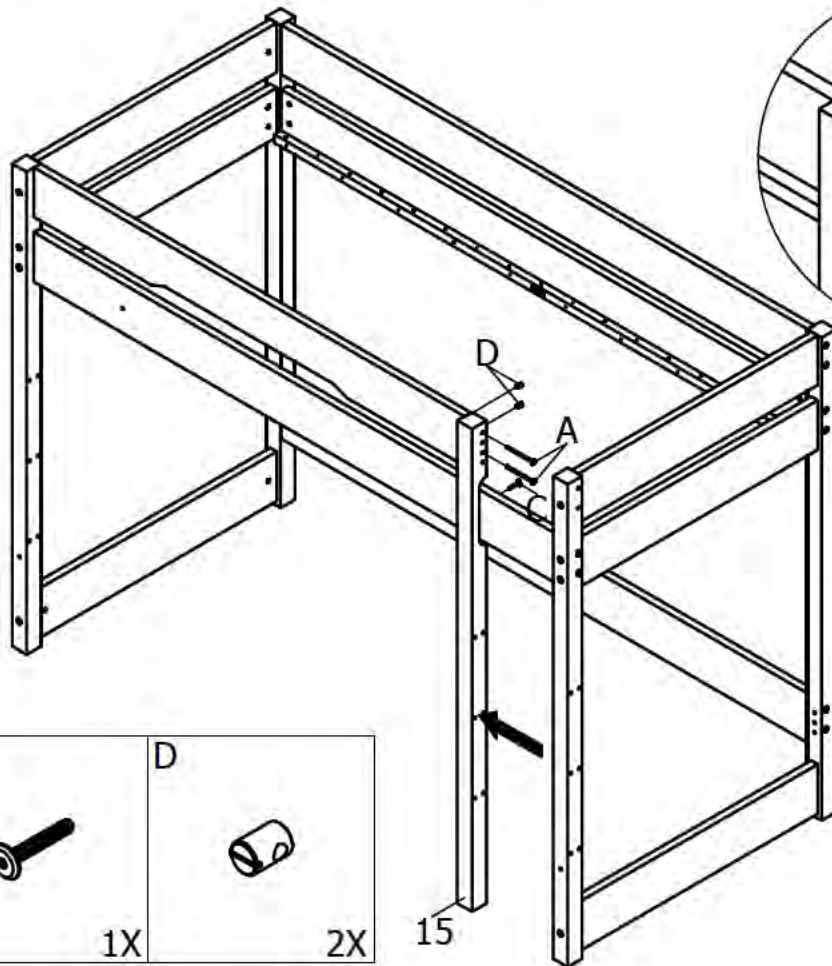
10



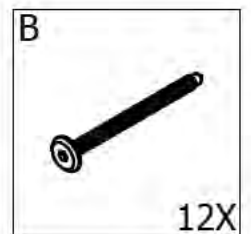
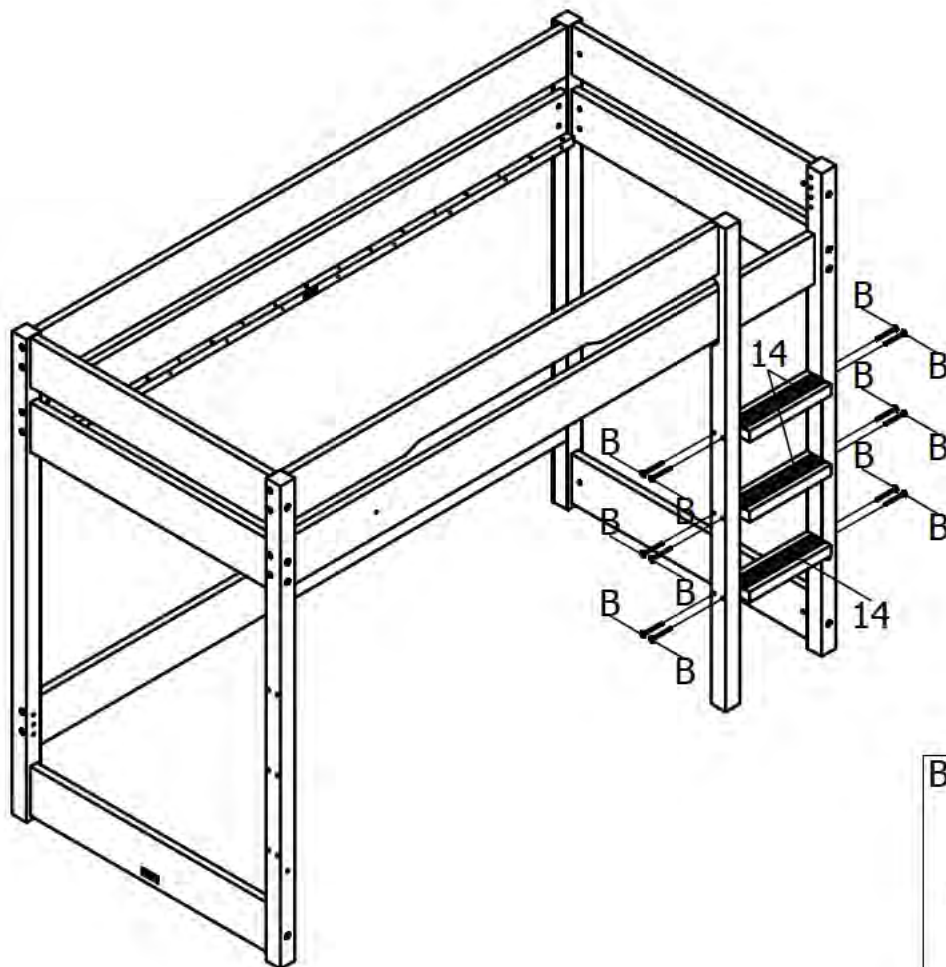
11



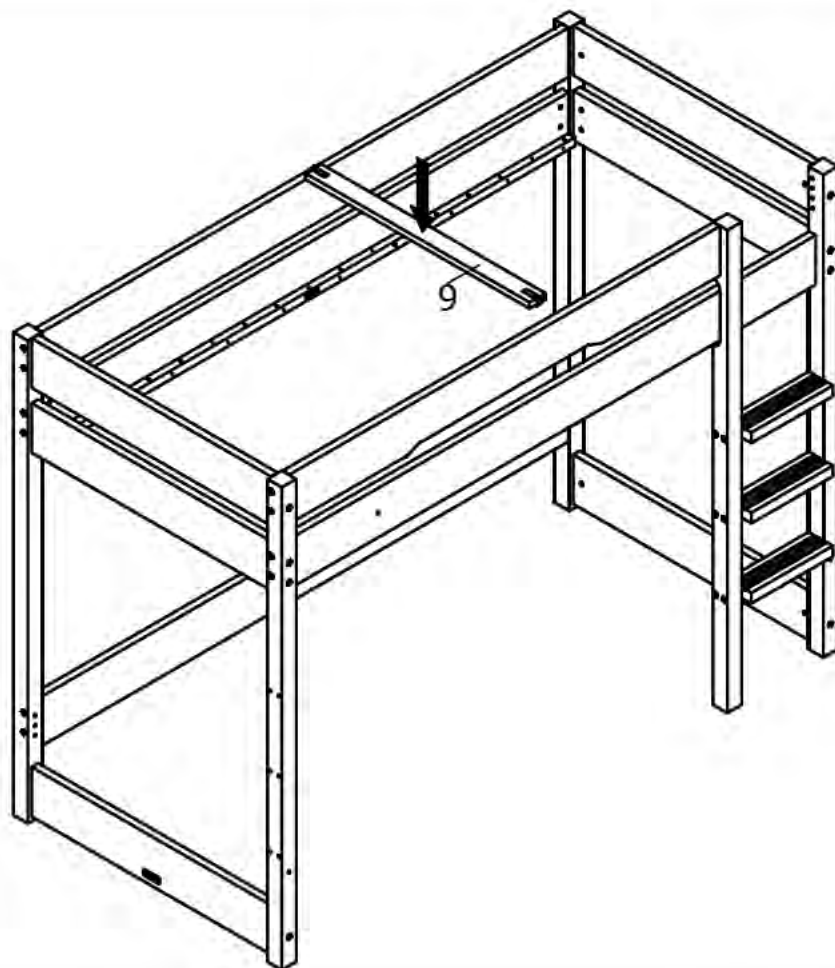
12



13



14



15

