

# Mesh<sup>YM-252</sup> Nebulizer



No noise



One key start



No maintenance



Fine atomization

# Mesh Nebulizer

Thank you for purchasing this product. Please read the instruction manual carefully and keep it for later use. Be sure to make the manual accessible to other users and observe the information they contain.

## Contents

1. Getting to know your instrument .....	2
2. Signs and symbols.....	2
3. Safety information and warnings.....	3
4. Useful information on the device.....	4
5. Description of device and accessories.....	5
6. Initial use .....	6
7. Operation.....	7
8. Cleaning and Disinfection .....	9
9. Storage.....	10
10. Troubleshooting.....	11
11. Technical specifications.....	12

## 1. Getting to know your instrument

This nebulizer is a mesh type nebulizer for treating the upper and lower respiratory tract.

The nebulization and inhalation of medication prescribed or recommended by a physician can prevent against diseases of the respiratory tract, treat the side effects of these disorders and accelerate healing.

For more information on possible applications, consult your physician or pharmacist.

The device is suitable for inhalation at home. Medicines should only be inhaled when instructed by a physician.


Inhalation should be performed in a calm and relaxed atmosphere. Inhale slowly and deeply to enable the medicine to reach the small bronchi deep into the lungs. Exhale normally.

## 2. Signs and symbols

The following symbols appear in these instructions.

 **Warning** Warning instruction indicating a risk of injury or damage to health.

 **Important** Safety note indication possible damage to the unit/accessory.

 **Note** Note on important information.

### 3. Safety information and warnings

#### Warning

1. Before use, ensure that there is no visible damage to the unit or accessories. When in doubt, do not use the unit and contact your dealer or the customer service address provided.
2. Using the unit is not a substitute for consultation with or treatment from a physician. Whenever you have any pain or illness, always contact your physician first.
3. If you have health concerns of any kind, contact your physician.
4. Only use medicines that have been prescribed or recommended by your physician or pharmacist.
5. If the unit dose is not functioning correctly or if you begin to feel unwell or feel pain, stop using the unit immediately.
6. During use, hold the unit away from the eyes, as some nebulizer medicines may cause damage to the eyes.
7. Do not operate the unit in the presence of flammable gases.
8. Do not use the device near electromagnetic transmitters.
9. This device is not intended to be used by children or persons with restricted physical, sensory (e.g. insensitivity to pain) or mental abilities or persons lacking in the required experience or knowledge for safe operation of the device, unless supervised or instructed by a person responsible for their safety.
10. Do not dip the unit into water and do not use it in wet rooms. Do not allow any liquid to penetrate the unit.
11. Remove the batteries from the device if you will not be using it for an extended period of time. Leaking batteries may damage the device.

#### Important

1. Store the device in a location protected against environmental influences. The device must be stored in the specified ambient conditions.
2. Do not use any liquids that have a viscosity (thickness) greater than 3, as these may damage the mesh irreparably.
3. Do not use any medicines in powder form (even if dissolved.)

4. Do not shake the atomiser, as this may cause liquid to leak, and the device may be damaged.
5. Unplug from the socket after using the adapter.
6. Switch the unit off immediately if it is defective or malfunctioning.
7. The manufacturer shall not be held liable for damage or injuries caused by improper or incorrect use.

### 4. Useful information on the device

#### Accessories

The safe functioning of the device can only be guaranteed if the accessories recommended by the manufacturer are used.

#### Important

#### Protecting against leaks

When filling the medicine container with medicine, ensure that you do not exceed the maximum mark (8ml). The recommended filling amount is between 2ml and 8ml.

During use, you can tilt the device up to a maximum angle of 45° in any direction without impairing its nebulizing function or the success of the treatment. However, please try to hold the device as upright as much as possible.

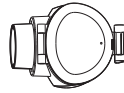
#### Automatic switch-off

The device has an automatic switch-off function. To prevent damage to the mesh, the device switches off automatically when the medicine/liquid has been almost entirely used up.

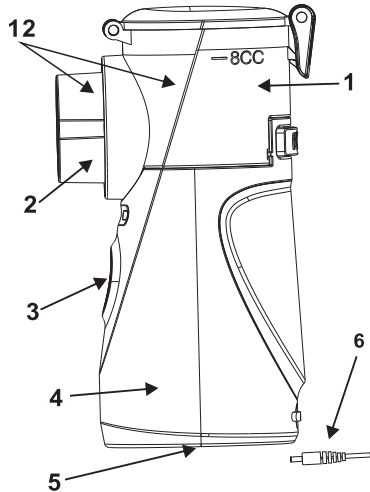
Do not use the device if the medicine container or water tank is empty. The device switches off automatically if the substance to be sprayed is no longer in contact with the mesh.

## 5. Description of device and accessories

For the convenience, the following “1. Medicine container” and “2. Mesh atomiser” will be called by a joint name: **medicine cup module (12)**



12. Medicine cup module



7. Adult mask



8. Child mask



9. Mouthpiece



11. Batteries



10 USB cable

1. Medicine container

2. Mesh atomizer

3. On / Off button / Operation LEDs:

Blue: device ready  
Red: change batteries

4. Apparatus body

5. Battery compartment

6. Adapter connector

## 6. Initial use

### Before using the unit for the first time

#### ⚠ Notes

The atomiser and accessories must be cleaned and disinfected before they are used for the first time. For information about this, see “Cleaning and disinfection”.

#### Assembly

1. Remove the unit from the packaging.
2. Fit the Medicine cup module (12) onto the apparatus body (4). (image 1)

When remove the medicine cup module (12), please press the **PUSH** button, and pull up the medicine cup module. (image 2)

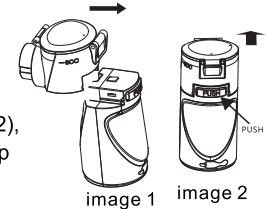
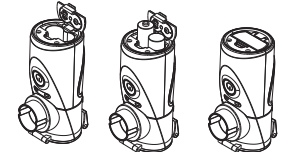


image 1

image 2

#### Inserting the batteries

1. To open the battery compartment (5) on the underside of the device, apply light pressure and pull the battery compartment cover in the direction of the arrows, then fold the lid up.
2. Insert ALKALINE or Rechargeable batteries (type AA).



Inserting the batteries image 3

3. Ensure that the poles of the batteries are touching their respective poles in the device.
4. Fold the battery compartment lid down again and push it back in place, in the opposite direction to the arrows.

#### ⚠ Notes

1. When changing batteries, ensure that the medicine container is completely empty, otherwise there is a risk of leaks.
2. When the red LEDs (3) red light up, replace the batteries, spraying becomes much less effective when the batteries are weak.
3. You can operate the device for approx. 60-70 minutes with new alkaline batteries.
4. If the unit will not be use for a long time, please take out the battery.

## Operating the device with the A/C Adapter

Before using the adapter, remove the batteries.

1. Insert the **USB cable** into the connection socket.
2. Plug **adapter** the A/C outlet.

### ⚠ Notes

1. Remove the batteries when operating the device with the Adapter.

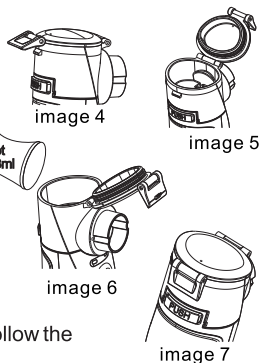
## 7. Operation

### Preparing the nebulizer

For reasons of hygiene, it is imperative that the nebulizer and accompanying accessories are cleaned and disinfected after every use. If the therapy requires that various different medicines be inhaled in succession, ensure that the medicine cup module is rinsed after every use.

### Filling the atomiser

1. Open the medicine container(1) by opening the clip, and fill the medicine container with an isotonic saline solution or medicine. Do not overfill! The maximum recommended fill amount is 8ml. (image 4, 5, 6 )
2. Use medication only on the advice of a physician, and check the appropriate inhalation duration and quantity for your needs.
3. If the recommended dose of the medicine is less than 2ml, add this quantity to at least 4ml using only isotonic saline solution. Viscous medicines may also require dilution. Always follow the instructions of your physician.
4. Close the lid of the medicine container and lock the clip in place. (image 7)



### Fitting accessories

1. Attach the accessories (mouthpiece, adult it mask or child mask) firmly to the assembled medicine container(1)

2. Place the device to your mouth and close your lips firmly around the mouthpiece. When using either of the masks, place it over the nose and mouth.
3. Start the device using the on/off button (3)
4. The spray mist coming from the device and the illuminated blue LEDs(3) show that the device is working perfectly.

### Inhaling correctly

#### Breathing technique

1. The right breathing technique is important to ensure that the particles are distributed as widely as possible into the air ways. So that they can enter the air ways and lungs, you must inhale slowly and deeply, hold your breath briefly (5 to 10 seconds) and then exhale quickly.
2. You should only use nebulizers to treat respiratory disorders if advised by your physician.
3. Certain medicines are only available on prescription.

### ⚠ Notes

**You should hold the device as upright as possible. Tilting it slightly will not, however, affect its function, since the container is leak proof, To ensure that the device functions correctly, make sure that you do not tilt it more than 45° in any direction and that the medicine is in contact with the mesh while in use.**

### ⚠ Important

Essential oils, cough medicines, solutions designed for gargling, and drops for application to the skin or for use in steam baths are wholly unsuitable for inhalation using the nebulizer.

### End of inhalation

1. After treatment, switch off the device using the on / off button (3)
2. The LEDs (3) go out.
3. Once the inhalant has been fully sprayed out, the device will switch off automatically. For technical reasons, a small amount may still remain in the medicine container.
4. If applicable, disconnect the adapter(10) from the A/C outlet.

## 8. Cleaning and disinfection

### Warning

Observe the following hygiene instructions in order to avoid any health risks. The nebulizer and accessories are intended for multiple use. Please note that cleaning and hygienic reconditioning requirements differ according to the different areas of application.

### Notes

- 1. Do not put pressure on the mesh with brushes or similar, as this may easily puncture the mesh causing irreparable damage, and will void the warranty. The metal is very thin and can be punctured easily.**
- 2. Prior to cleaning the body or the medicine chamber, always remove first the battery or adapter before cleaning as the liquid may leak into the electronic components. Any liquid that penetrates into the unit can damage the electrical parts and impair the function of the device.**

### Cleaning

1. Remove the mouthpiece and any accessories from the atomiser.
2. Add 6ml of clean water to the medicine container (1) and switch on the device to first remove any medicine residue from the mesh. (Please use up the entire liquid).
3. Remove the batteries.
4. If any traces of medical solutions or impurities remain on the gold-coloured contacts on the device and atomiser, use cotton buds to remove them.

### Disinfection

Follow the steps listed below carefully in order to disinfect your atomizer and the accessories. It is advisable to disinfect the individual components after the last time they are used each day at the latest. First, clean the atomiser and the accessories as described under 'Cleaning'. You can then continue with disinfection.

## Disinfection with hot water

1. Place 5ml of hot water inside the medicine cup module.
2. Spray until the water inside the medicine module runs out.

### Drying

1. Carefully dry all components using a soft cloth.
2. Shake the mesh atomiser lightly backwards and forwards (5 to 10 times), so that the water inside is removed.
3. Place the individual components on a dry, clean and absorbent surface and allow to dry completely (for at least 4 hours).

### Notes

Ensure that all parts are thoroughly dried after cleaning, otherwise there is an increased risk of bacterial growth. Once all components are fully dry, reassemble the nebulizer and place the components in a dry, sealed container. Ensure that the medicine container has dried completely by shaking it. Otherwise, nebulization may not function properly after reassembling the device. If this is the case, disassemble the medicine container again and shake it so that the water can escape. Once it has been reassembled, the nebulizer should function properly again as usual.

## 9. Storage

1. Do not store the nebulizer in a damp atmosphere (e.g. in the bathroom) or transport it together with damp objects.
2. Store and transport the nebulizer away from direct sunlight.

## 10. Troubleshooting

Problem Question	Possible Cause/Remedy
The nebulizer produces little or no aerosol.	<ol style="list-style-type: none"> <li>1. Insufficient medicine in the Nebulizer.</li> <li>2. The nebulizer is not held in an upright position.</li> <li>3. The medicine used is unsuitable for spraying (e.g. too thick, viscosity must be less than 3)</li> <li>4. The metal contacts between the medicine cup module and body is dirty.</li> </ol>
Output is too low.	<ol style="list-style-type: none"> <li>1. The batteries are flat. Replace the batteries or connect the power supply unit and try again.</li> <li>2. There are air bubbles inside the medicine container which are preventing the medicine from coming into continuous contact with the mesh. Please check and remove any air bubbles.</li> <li>3. Particles on the mesh are impeding output. To remove the particles, fill the nebulizer with 2 to 3 drops of vinegar and 3 to 6ml of water, then nebulizer this solution completely. Do not inhale this spray and ensure that you clean and disinfect the medicine container afterwards.</li> <li>4. Mesh is worn out.</li> </ol>
Which medicines are suitable for inhalation?	Only the doctor can advise you which medicine to use to treat your condition. <b>Consult your physician.</b> With the mesh nebulizer, you can atomize medicines with a viscosity lower than 3.
Some inhalation solution remains in the nebulizer.	This is normal and occurs for technical reasons. Stop inhaling as soon as you can hear a marked difference in the sound made by the nebulizer, or when the device switches off automatically due to insufficient inhalant.
What special steps should be taken for babies and children .	<ol style="list-style-type: none"> <li>1. In babies, the mask should cover the mouth and nose to guarantee effective inhalation.</li> <li>2. In children, the mask should also cover the mouth and nose.</li> </ol> <p>Note: Children should only use the device with help and under supervision of an adult. Never leave a child alone with the nebulizer.</p>

Inhalation with the mask takes longer.	This is for technical reasons. Less medicine is inhaled per breath through the mask holes than using the mouthpiece. The aerosol is mixed with ambient air through the holes in the mask.
Does each user need their own accessories?	This is absolutely necessary for hygiene reasons.

## 11. Technical specifications

Power consumption: 2.0W

Input: 5V/1A;

Oscillation frequency: 110kHz ± 10%

Condensation rate: ≥ 0.2 ml/min.

Atomized particles: ≤ 5µm

Volume: max. 8ml

Product weight: 115g ± 10%

Size (LxWxH): 45x45x100mm

Housing material: ABS

Operating conditions: Temperature: +5°C ~ +40°C;

Relative humidity: < 93% RH non-condensing

Storage and transport conditions:

Operating conditions: Temperature: -20°C ~ +50°C

Relative humidity: < 93% non-condensing

**Please follow the doctor's prescription.  
Specifications are subject to change without prior notice.**