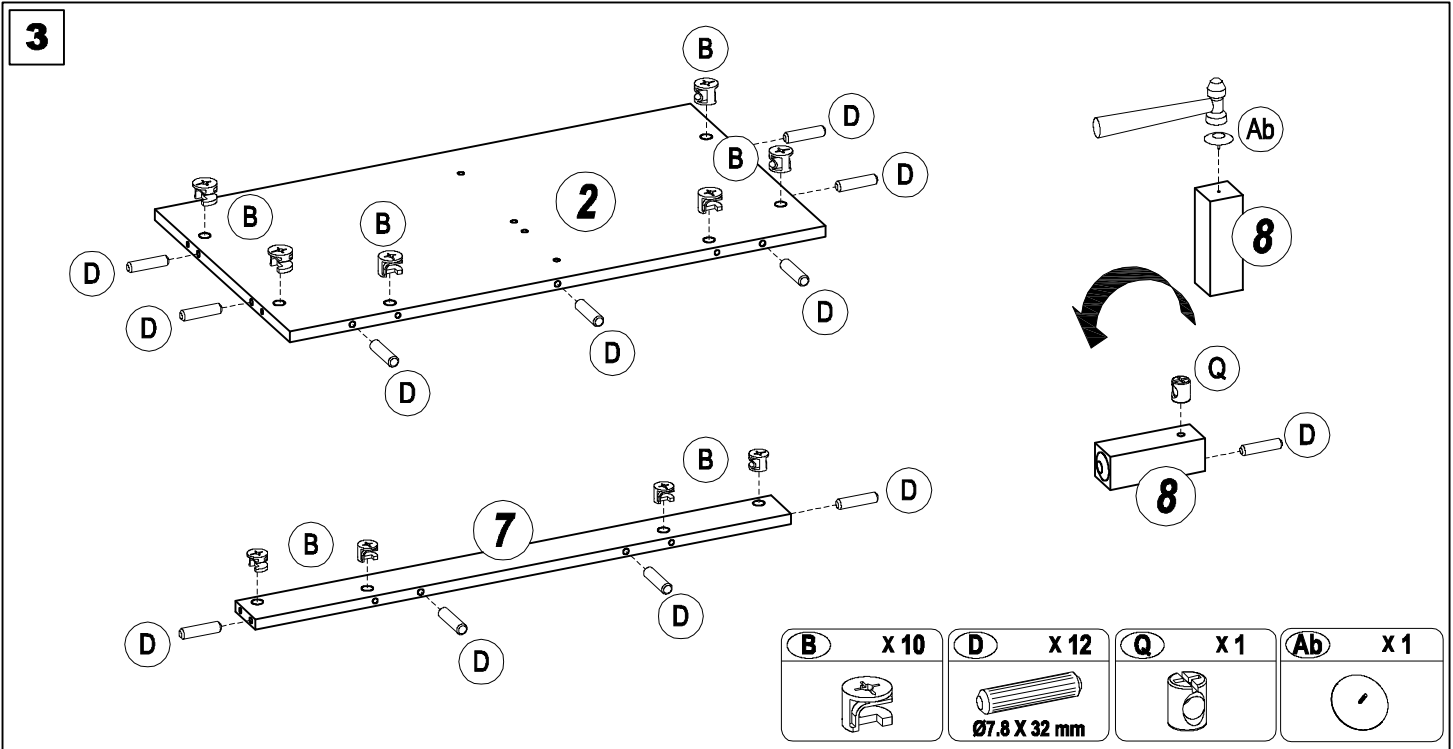
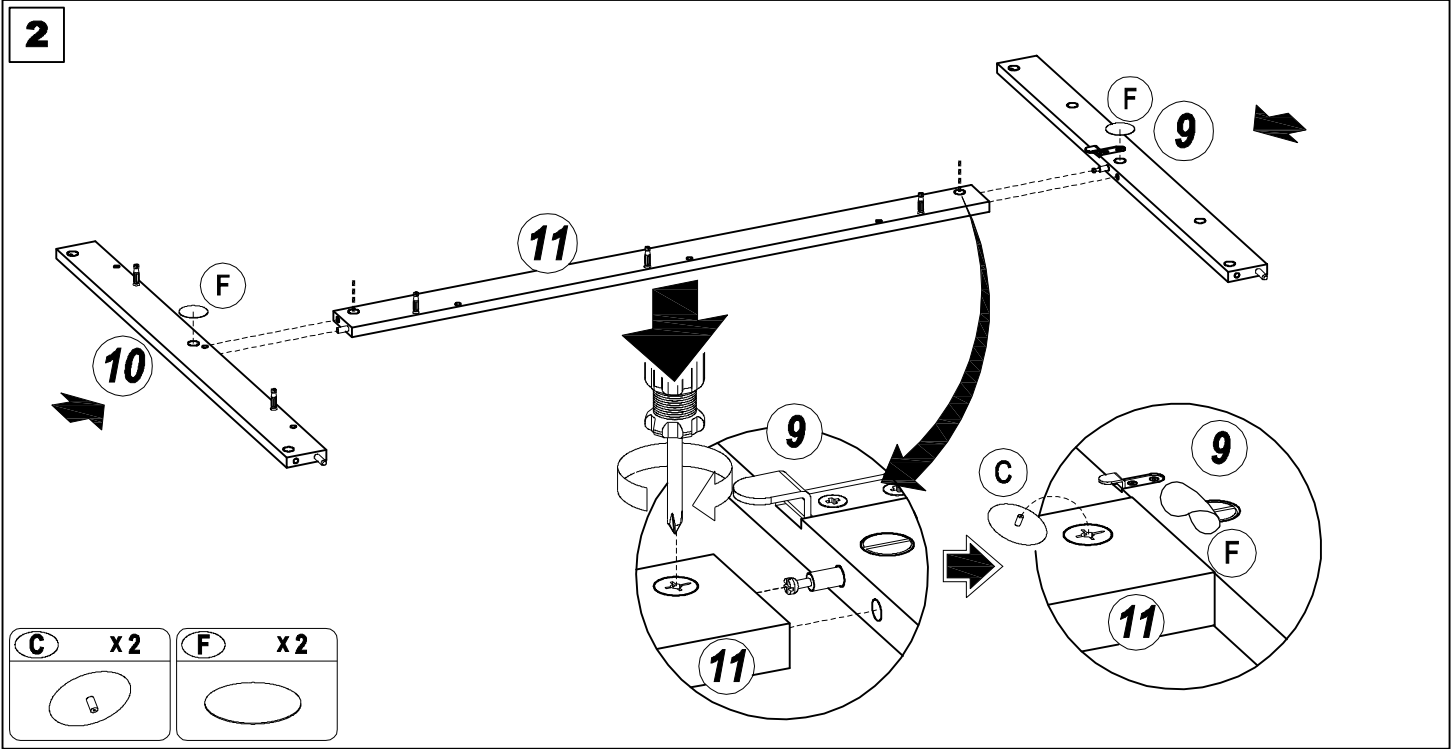
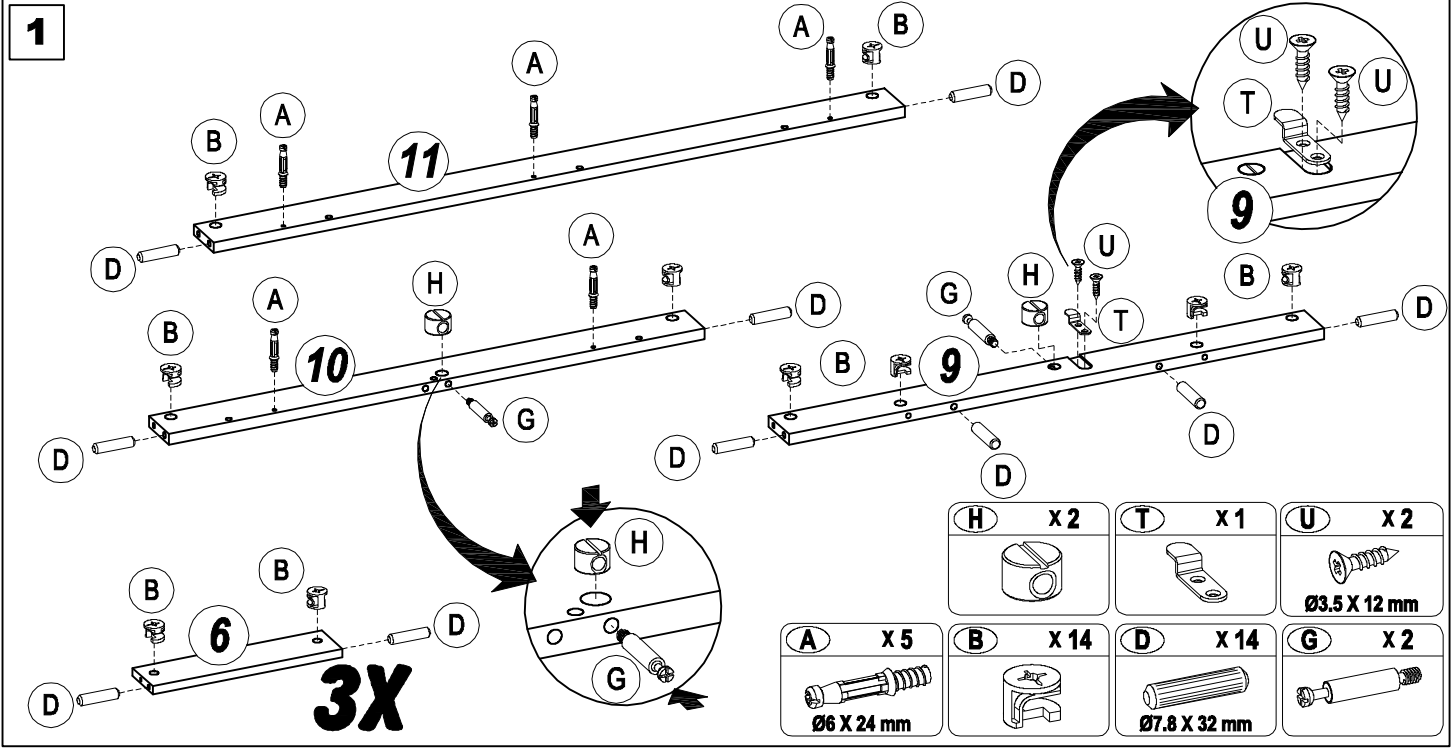
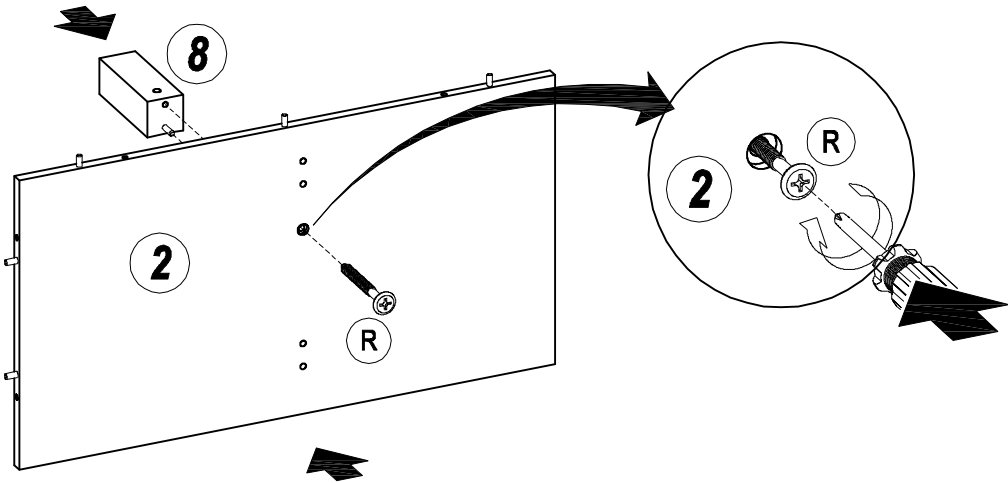


A x 51 Ø6 X 24 mm	B x 53 	C x 47 	D x 45 Ø7.8 X 32 mm	E x 2 	F x 2 	
G x 2 	H x 2 	J x 2 Ø7 X 50 mm	K x 16 Ø3.5 X 37 mm	L x 2 	M x 4 Ø4 X 14 mm	N x 5
P x 10 	Q x 1 	R x 1 M6 X 50 mm	S x 8 	T x 1 	U x 42 Ø3.5 X 12 mm	V x 1
W x 3 	Y x 23 Ø3 X 13 mm	Z x 8 	Aa x 8 Ø3.5 X 19 mm	Ab x 5 	Ac x 4 	Ad x 4

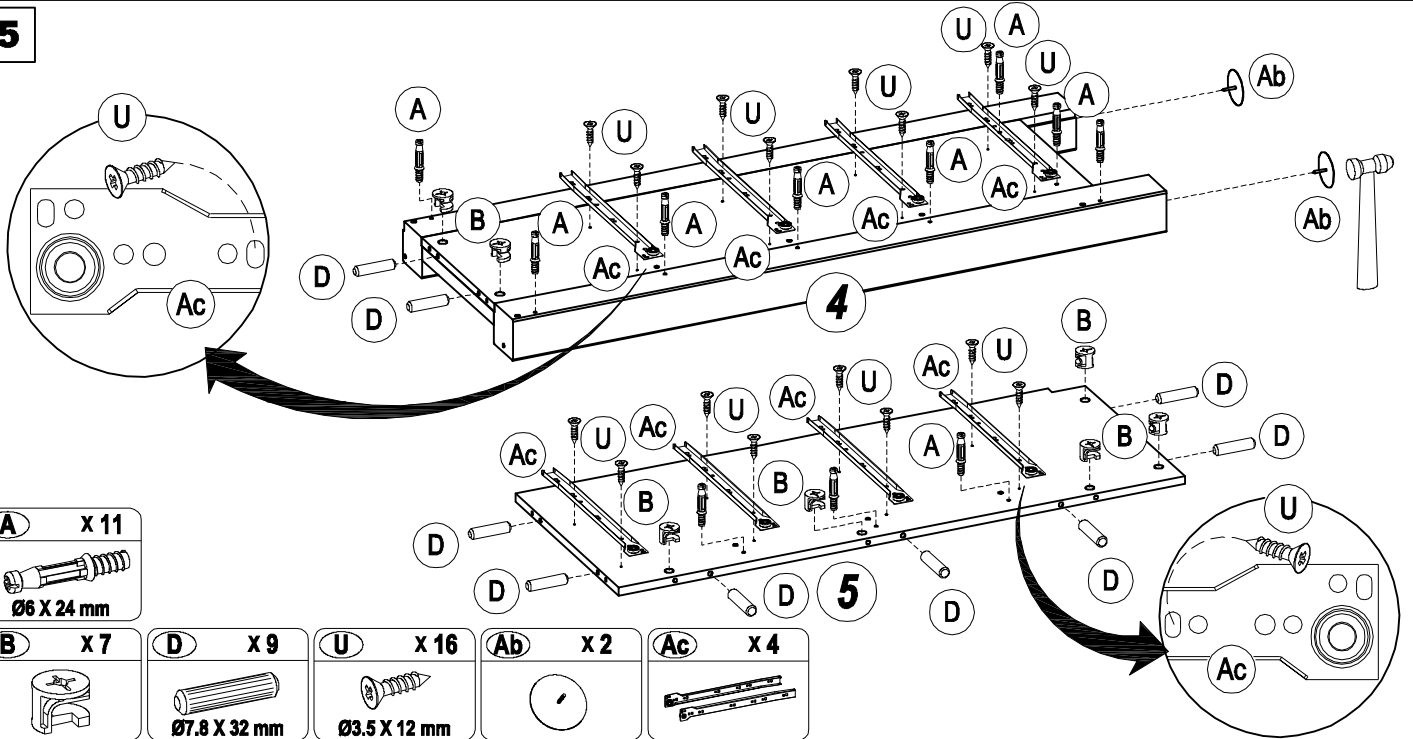



4

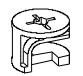



R	x 1
	
M6 X 50 mm	


5





A	x 11
	
Ø6 X 24 mm	

B	x 7
	

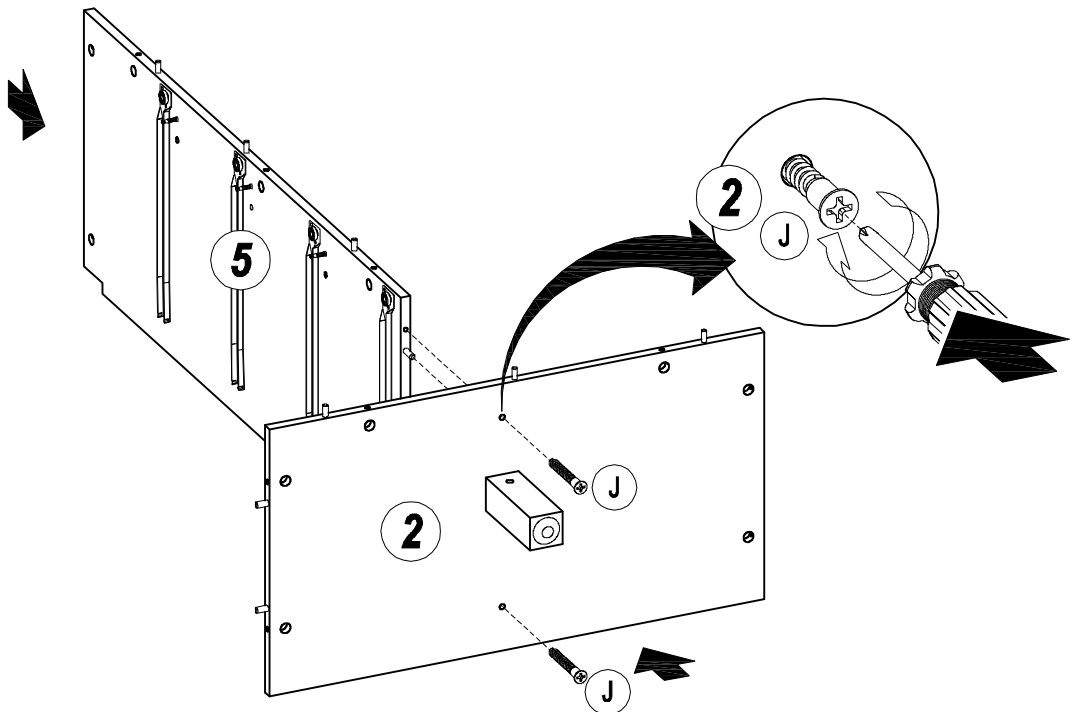
D	x 9
	
Ø7.8 X 32 mm	

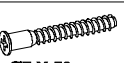
U	x 16
	
Ø3.5 X 12 mm	

Ab	x 2
	

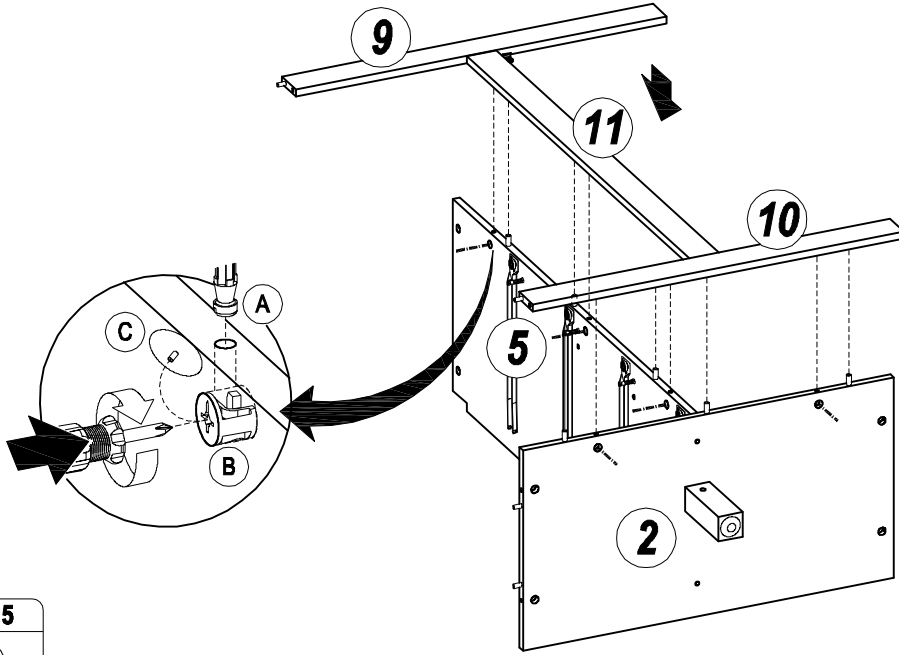
Ac	x 4
	

6



J	x 2
	
Ø7 X 50 mm	

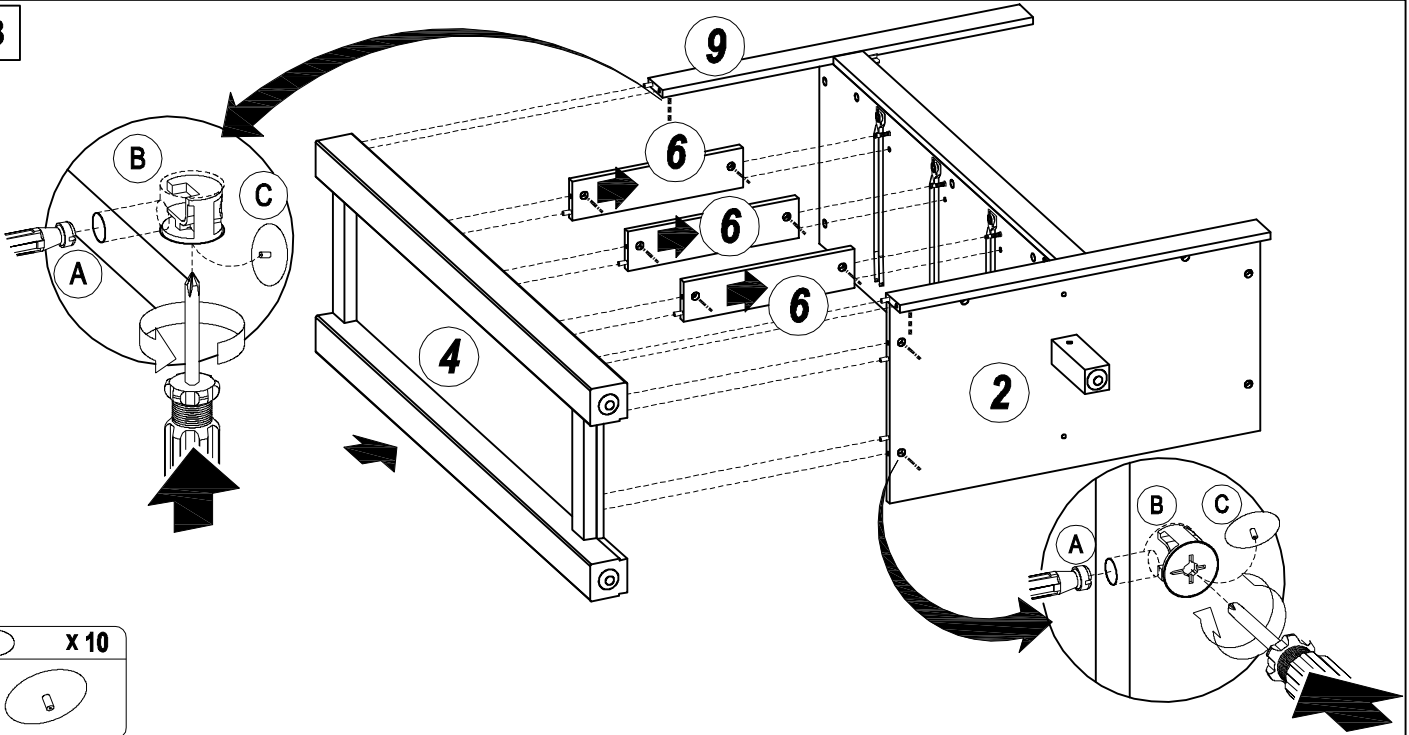
7



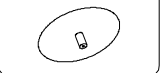
C x 5



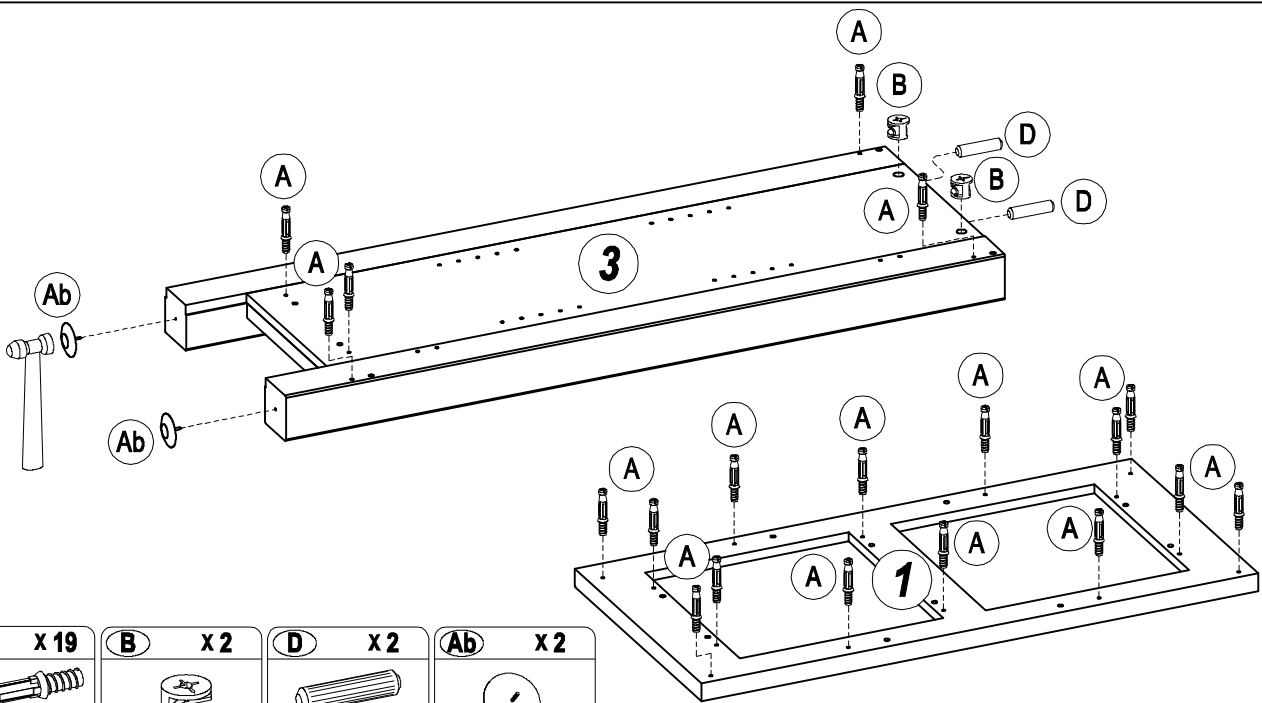
8



C x 10



9



A x 19

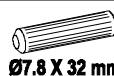
B x 2

D x 2

Ab x 2



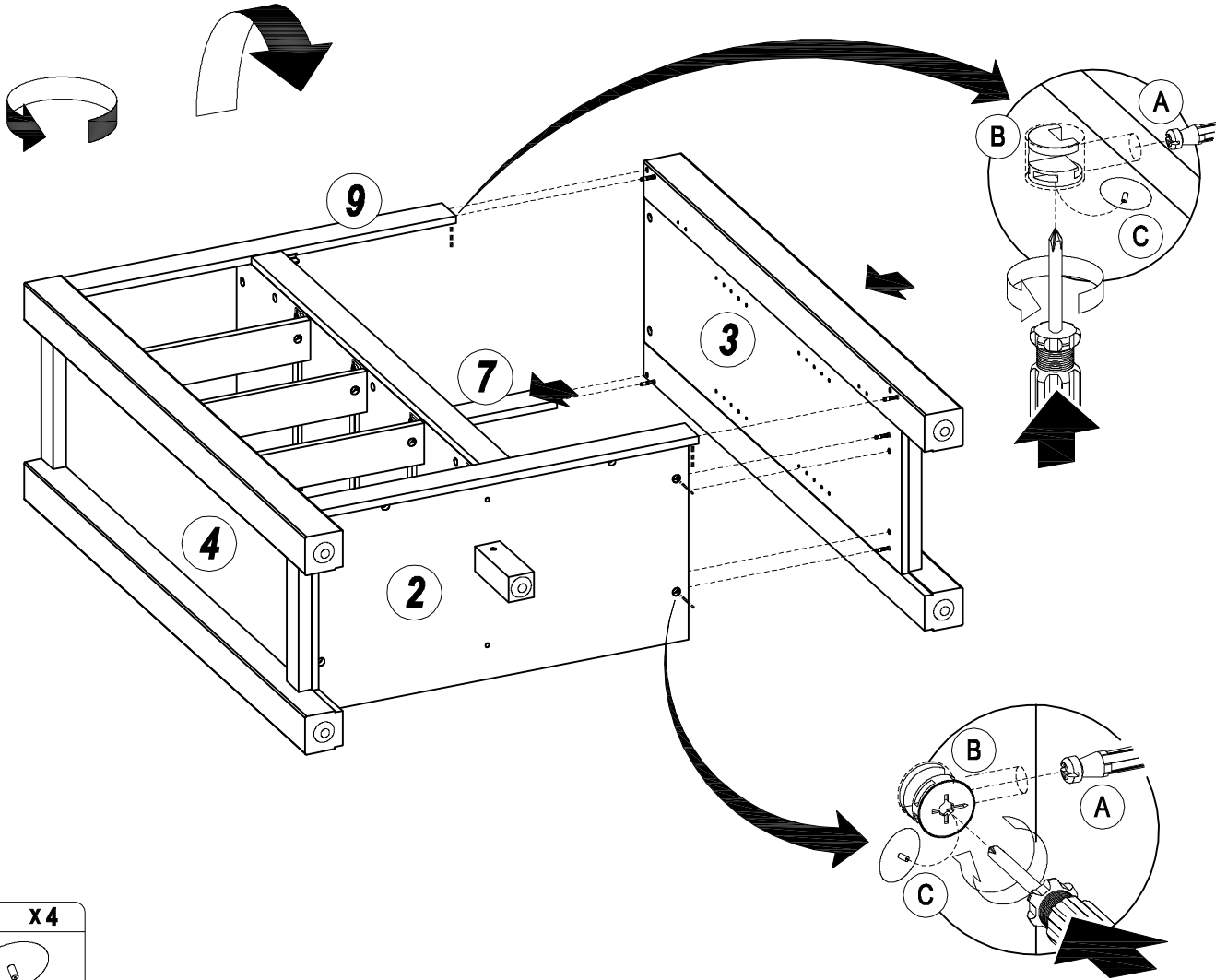
Ø6 X 24 mm



Ø7.8 X 32 mm

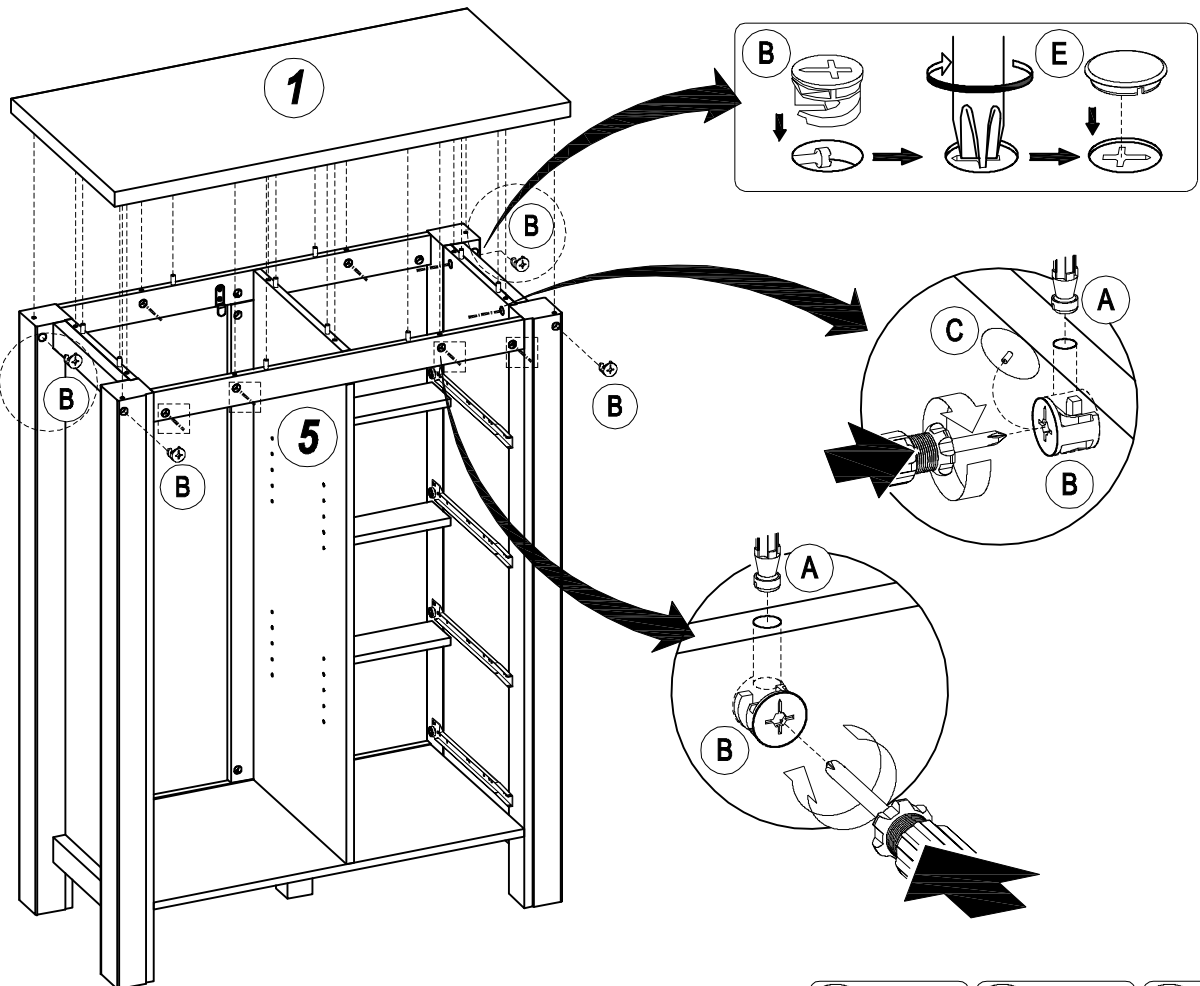


10



C	x4

11



B	x4	C	x10	E	x2

12

4X

A x 16	B x 16			
D x 8	L x 2	M x 4	N x 5	P x 5

13

4X

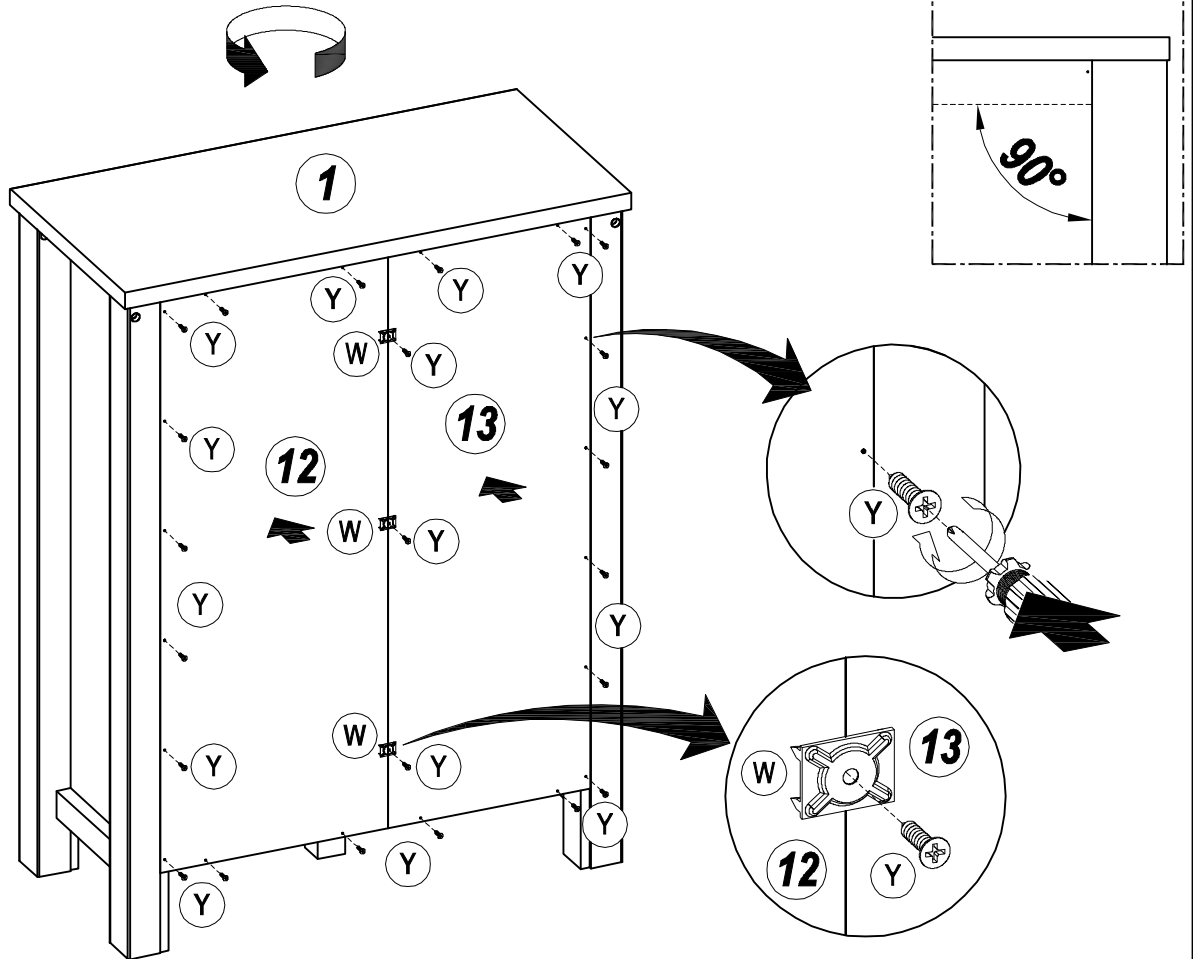
C x 4	K x 4

14

4X

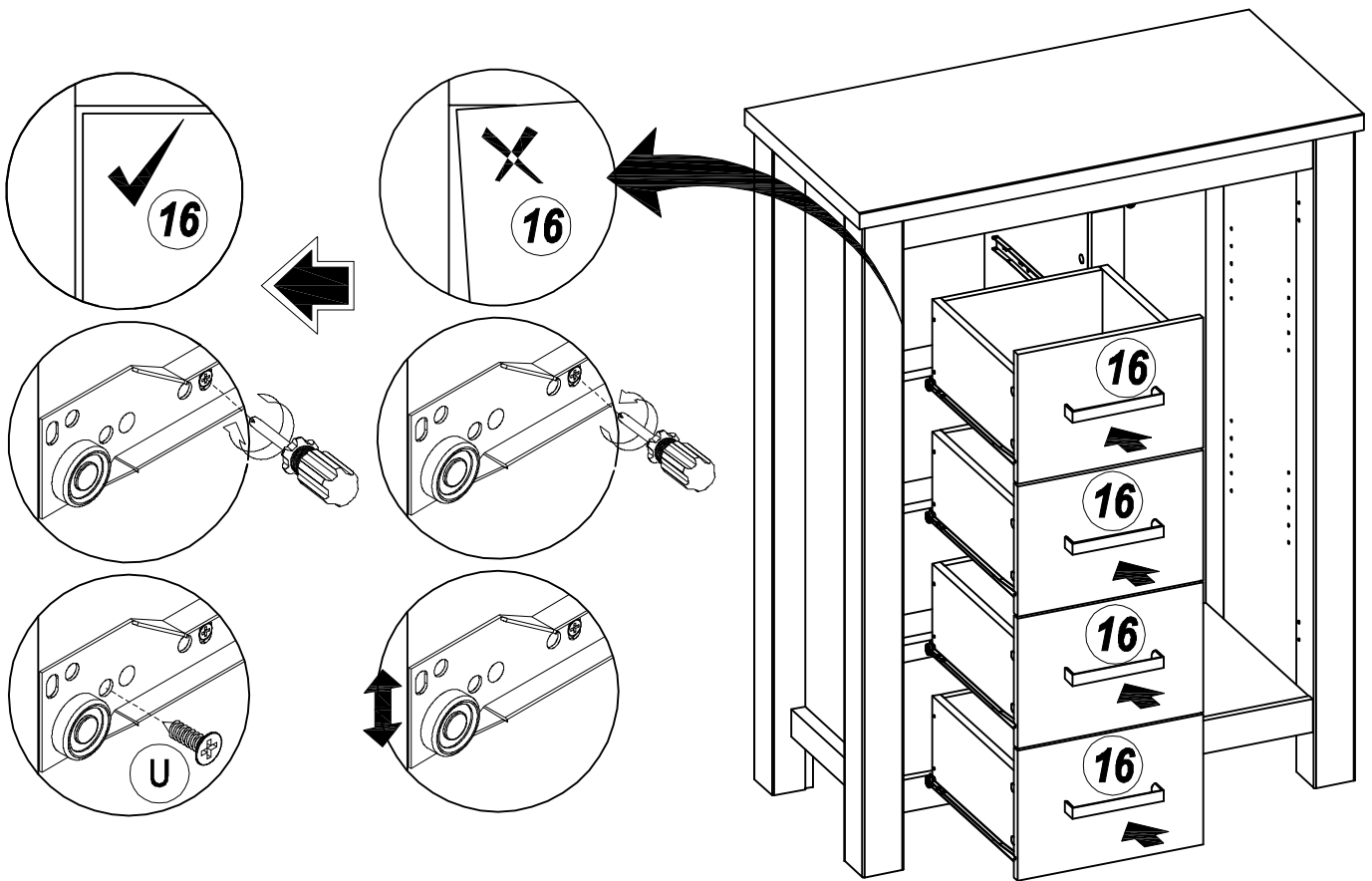
U x 16	Z x 8	Aa x 8	Ad x 4

15



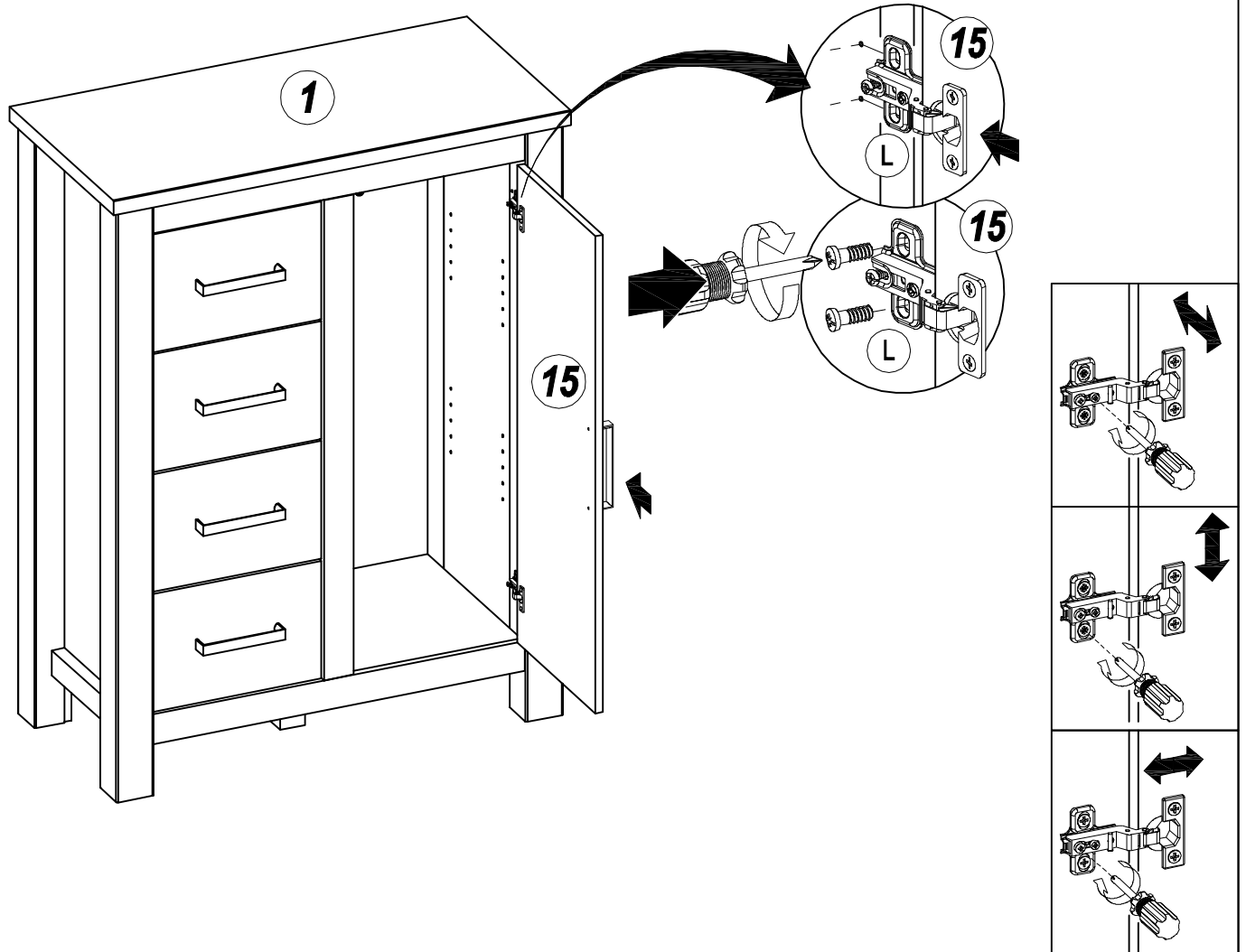
W	x 3	Y	x 23
		Ø3 X 13 mm	

16

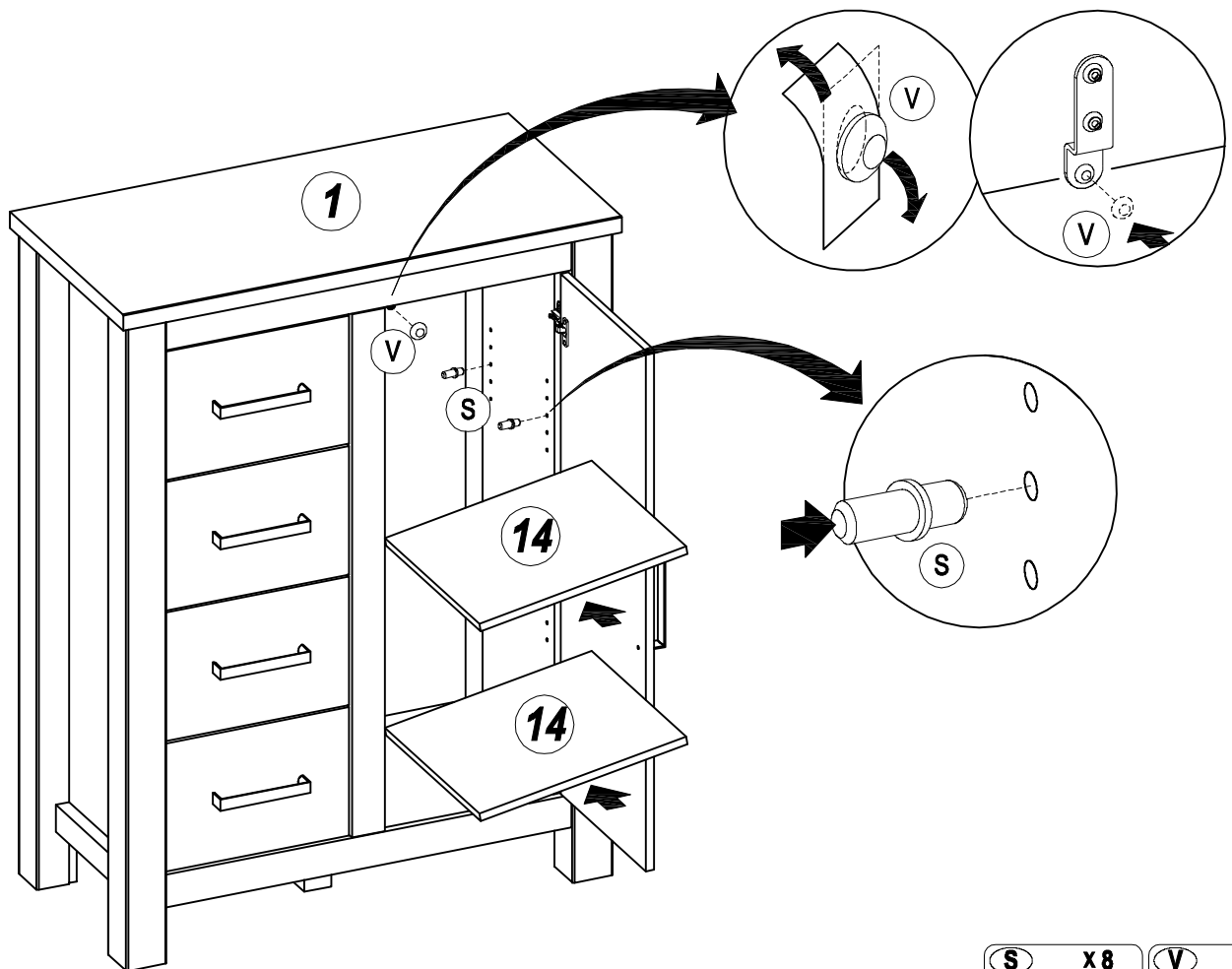


U	x 8
Ø3.5 X 12 mm	

17



18



S	x8	V	x1
