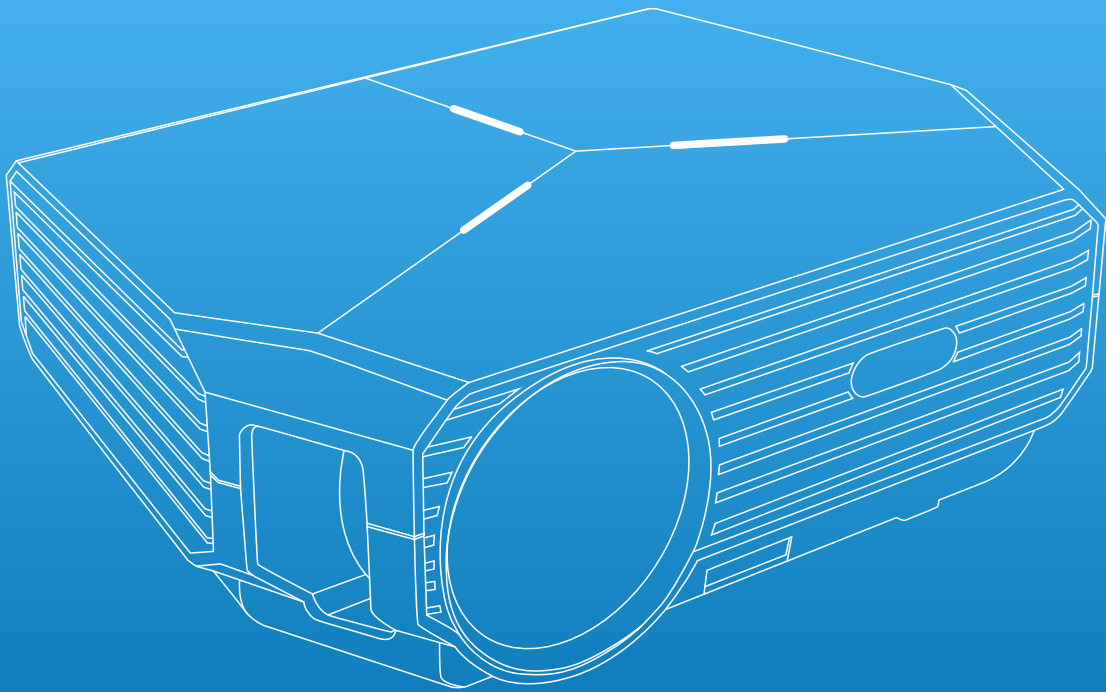


Projector

User Guide



Please read this user's guide carefully before operating the projector, and save this guide for future use.

English








**Thank you
for purchasing
our projector**

**If you have any further enquiries or need any
further assistance, please contact us**

Precautions for Use

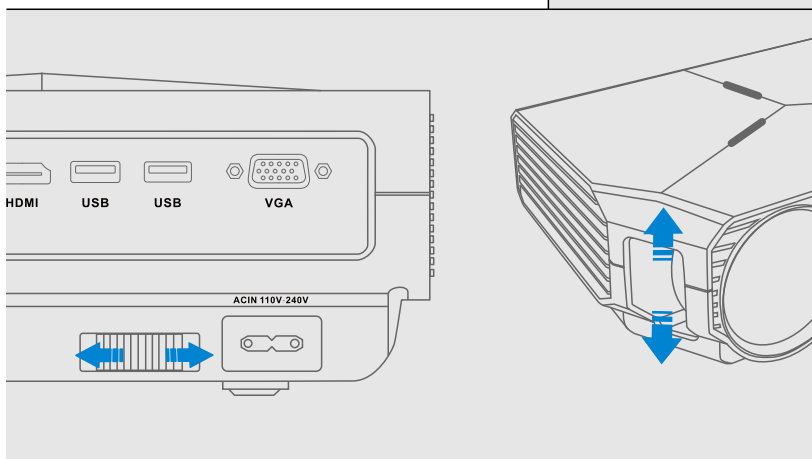
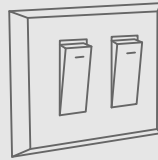
Follow these safety instructions and read these helpful tips before setting up and using the projector.

Important Safety Instructions

	Do not disassemble the projector. If needed, please contact your dealer for repair/replacement.
	Do not use the different power source, it may result in fire or electric shock. Please use the indicated type of power source.
	Do not look into the lens when the projector is operating. The bright light may damage your eyes.
	Do not use the projector near water or sources of heat.
	Place the projector on an even surface or stable stand. If the projector is mounted on a ceiling, it should be installed by qualified mounting hardware which designed for use with this projector.
	Unplug the projector after powering down.
	In order to maintain the performance and reliability of the projector, please leave at least 30CM between the projector and the wall.

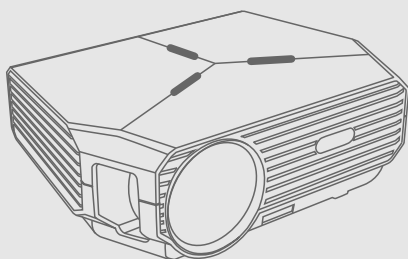
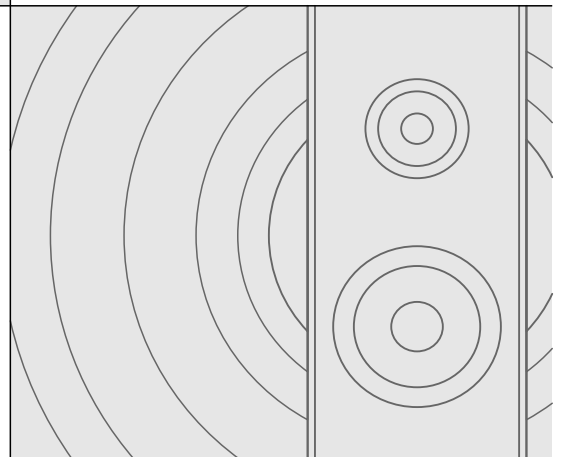
Helpful Tips

For incredible clarity and optimum results, operating the projector in a dark environment is recommended.



You may adjust the focus ring and keystone simultaneously until to get crystal clear images.

Please understand that the projector makes noise for heat dissipation during working. Nevertheless, it will not affect watching experiences when connected to an audio device.

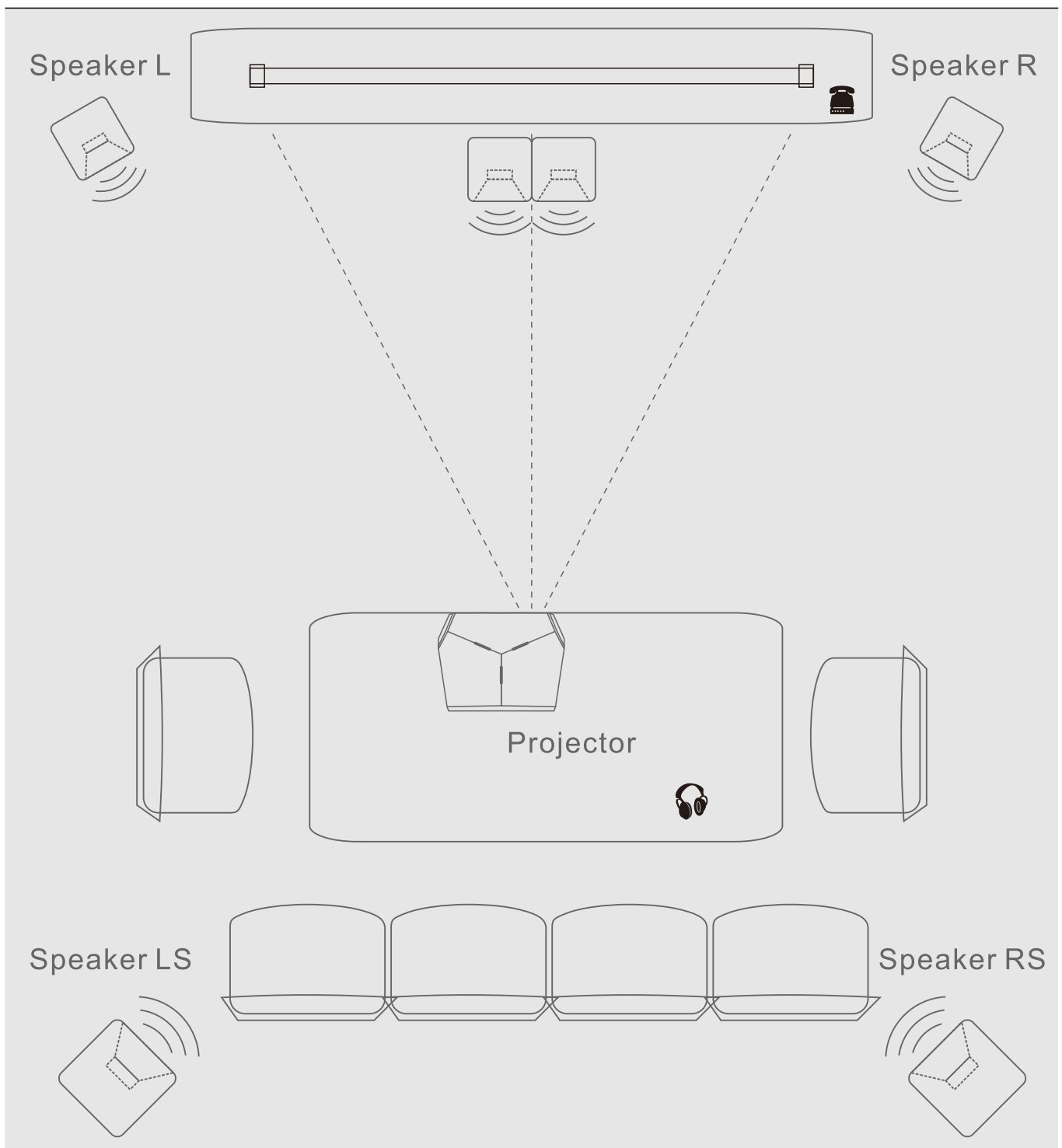


Projector is ideal for home entertainment, such as videos watching, photos viewing and games playing etc. Please be advised that the projector is not for business data presentation.

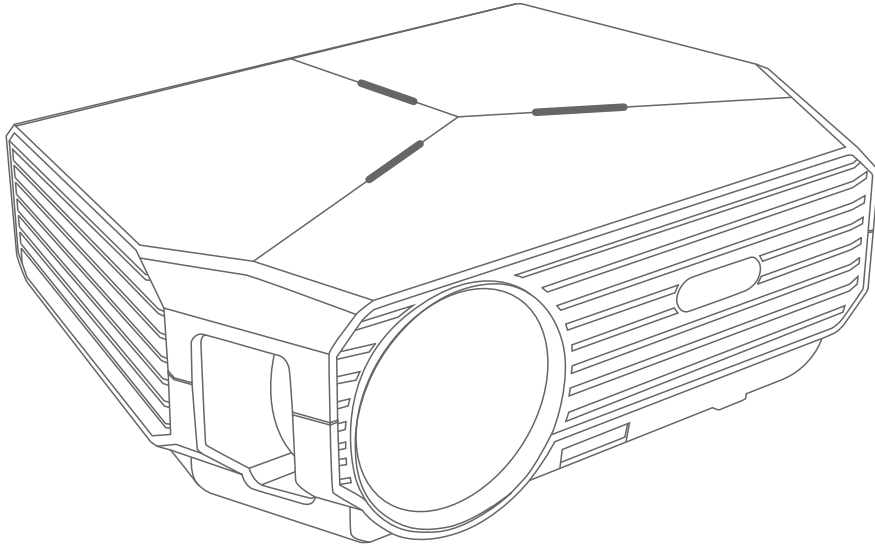
Projector Features

projector includes these special and outstanding features:

Incredible Watching Experiences



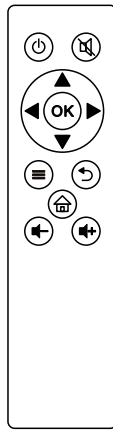
Product Box Contents



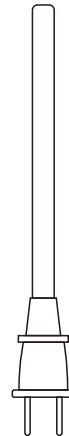
Projector



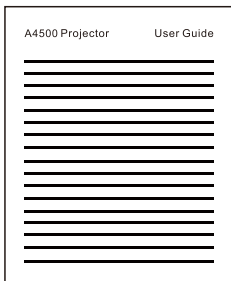
HDMI cable



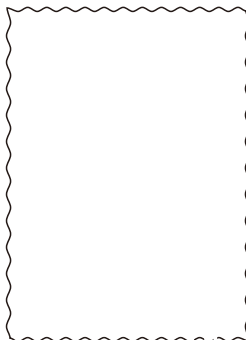
Remote control



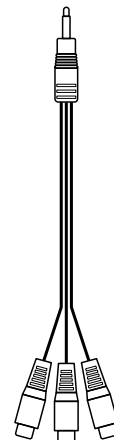
Power cord



Instruction manual



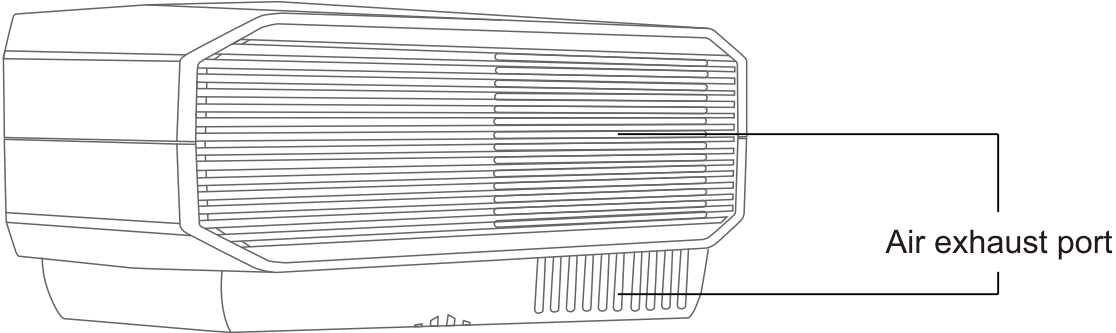
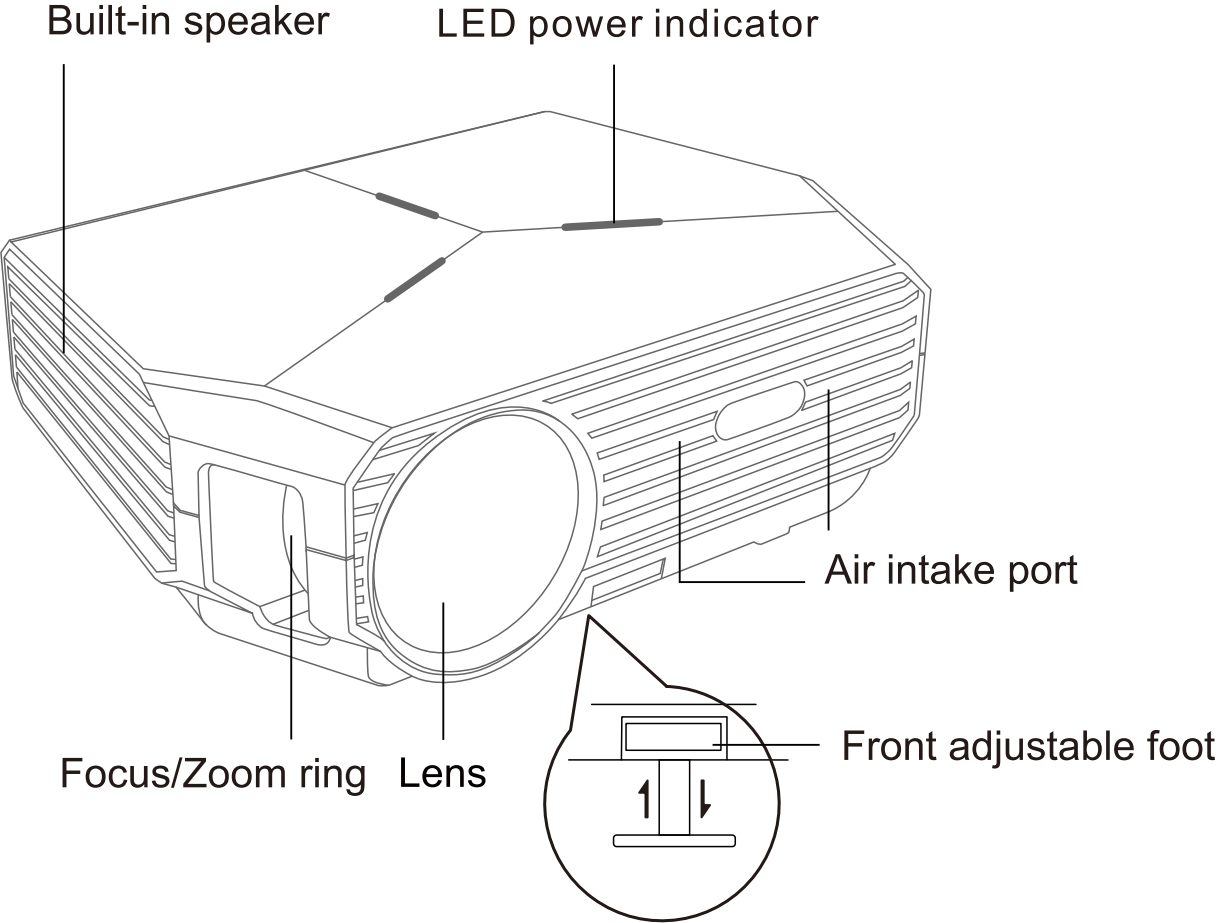
Cleaning cloth



3-in-1 AV cable

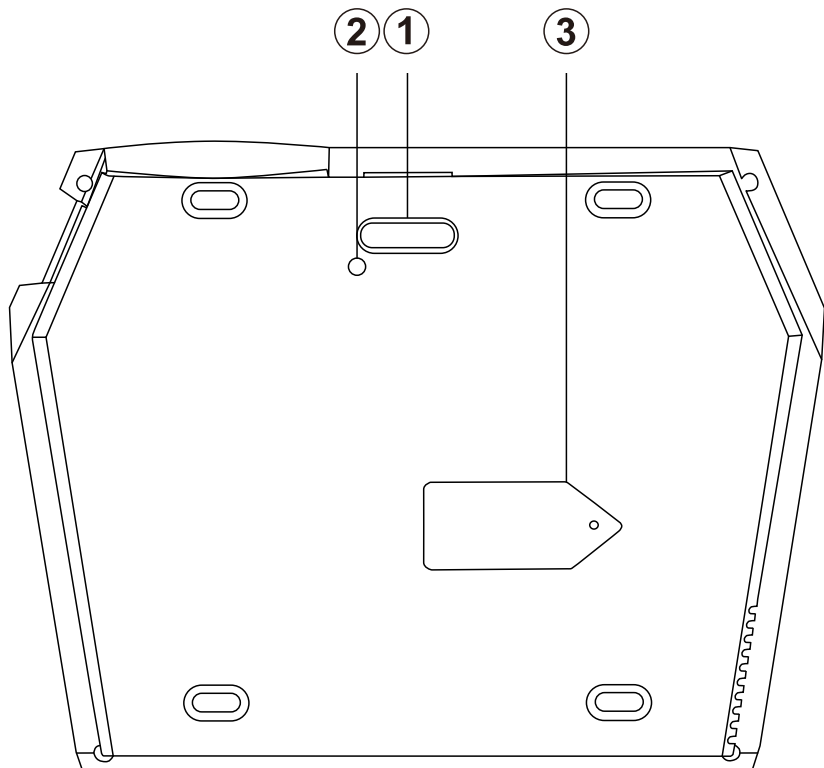
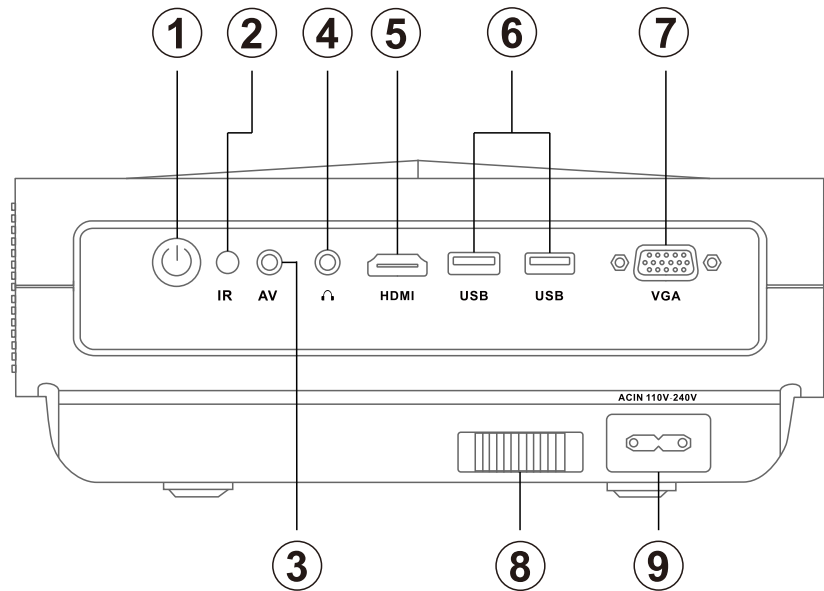
Projector Part Locations

Front/side



Rear / Bottom

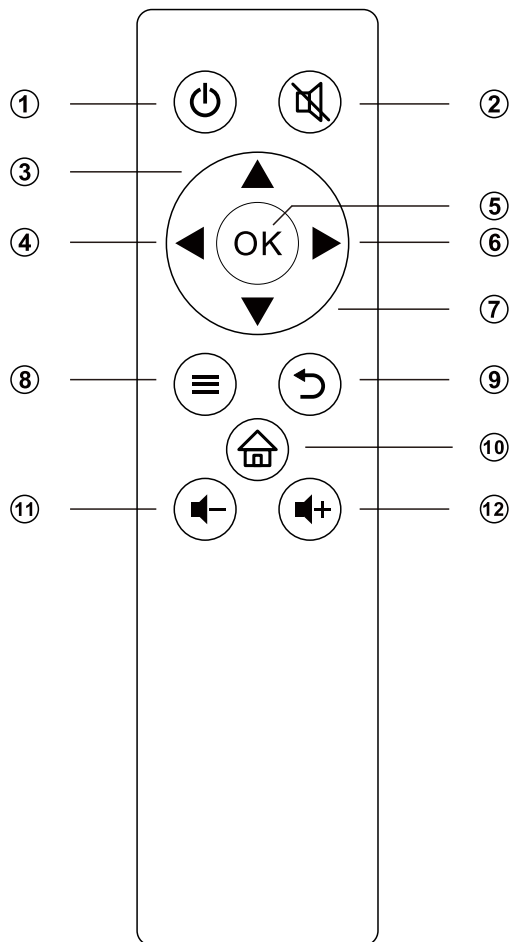
1. Power button
2. IR receiver
3. AV input port
4. Audio jack
5. HDMI port
6. USB port
7. VGA port
8. Keystone ring
9. AC input port














1. Front adjustable foot
2. Projector mount hole Fix with M6
3. Clear window

NOTE: Please don't open Clear window for non-professional maintenance personnel.

Remote Control



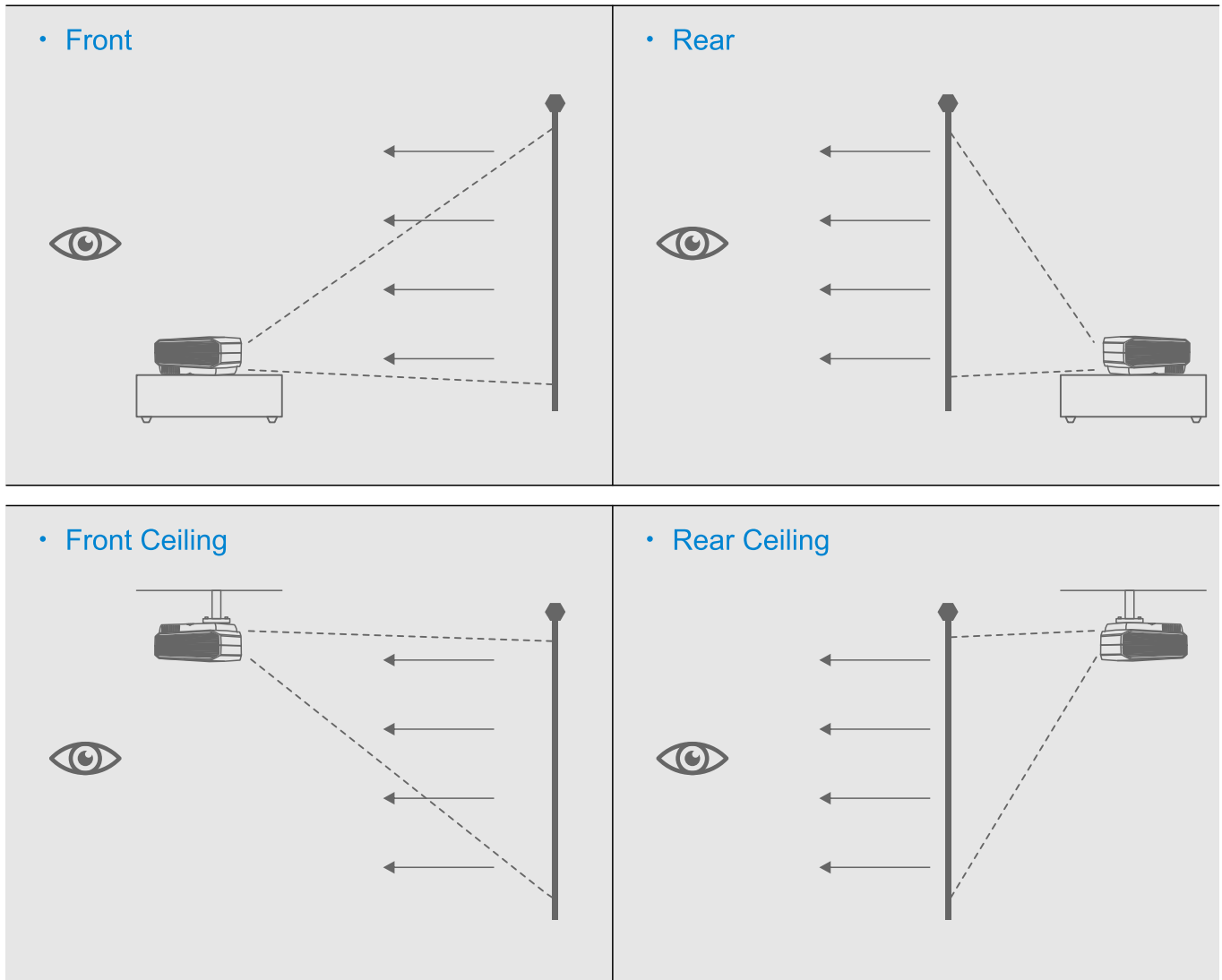
1. Power Button
2. Mute Button
3. Up Button
4. Left Button
5. OK Button
6. Right Button
7. Down Button
8. Setting Button
9. Eject Button
10. Home Button
11. Volume Down Button
12. Volume Up Button

	turns the projector on or off	OK	selects and confirms options
	turns off sound		accesses projector menu system (Doing operations in USB playback)
	selects upward movement		Cancels/exits functions
	selects leftward movement		back to homepage
	selects rightward movement		adjusts speaker volume
	selects downward movement		adjusts speaker volume

Setting Up the Projector

Before projecting, please be familiar with the following suggestions of placement, installation and adjustment.

Projector Placement and Installation

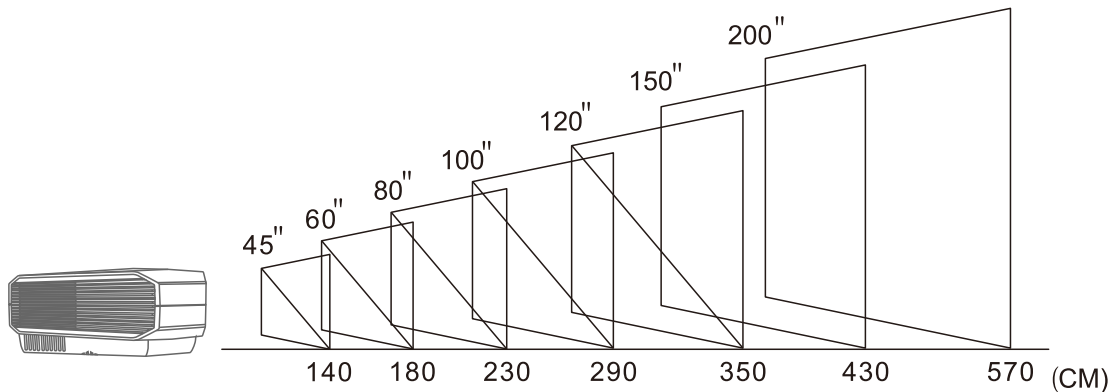


Whether the way you choose to project your images or videos, please keep these suggestions in mind:

1. Ensure the place you set the projector is sturdy and even;
2. Do not block the vents and always leave enough space for heat dissipation;
3. If the way you project is from the ceiling or from the rear, please ensure to select the correct projection option in the menu system.

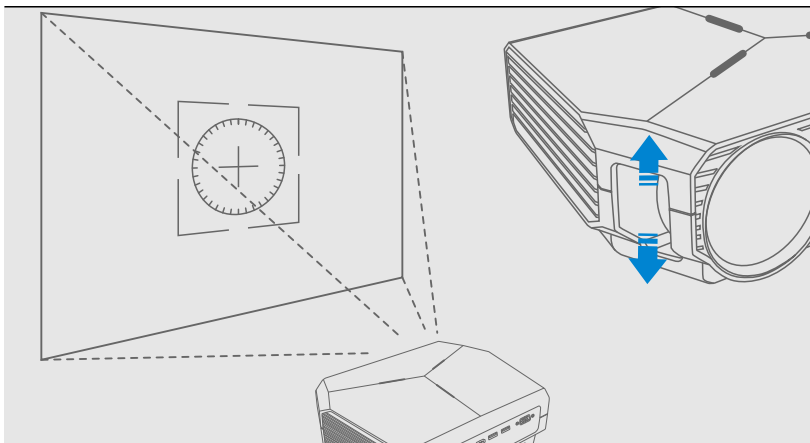
Projection Distance and Screen Size

The throw distance, zoom factor, aspect ratio, and other settings determine the approximate size of the image. Please refer to the following table for the relationship between projection distance and image size.



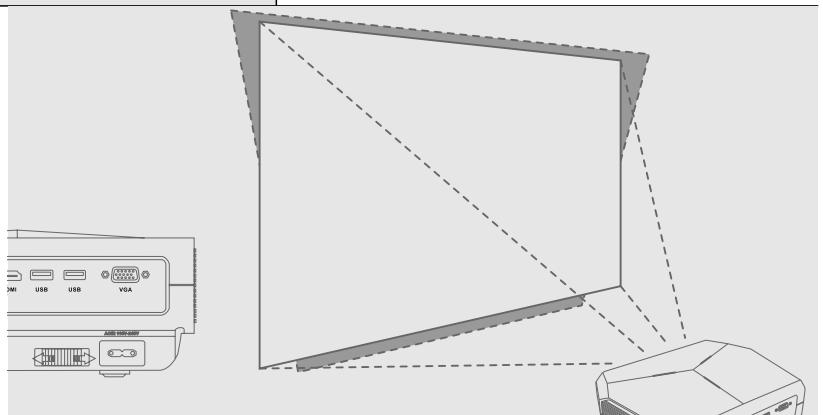
Projector Adjustment

Except setting suitable throw distance, you can adjust keystone ring and focus/zoom ring manually before projecting your images or videos:



Rotate the focus ring to adjust the clarity of the projected image until it reaches to crystal clear.

Adjust the keystone ring to correct keystone distortion.

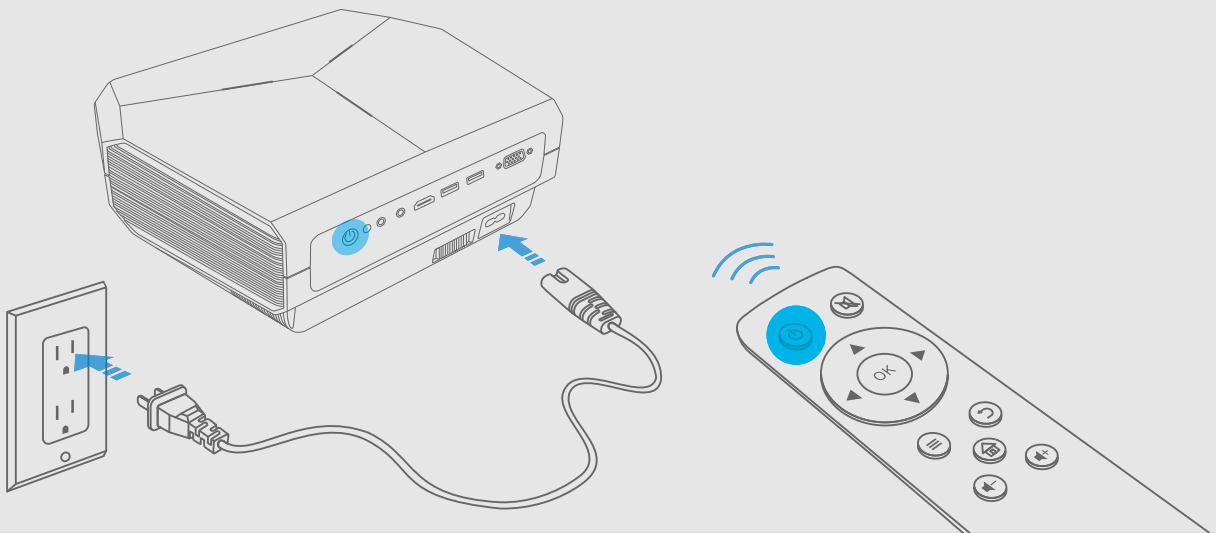


Basic Projector Operations

Basic operations provided help you to get started quickly.

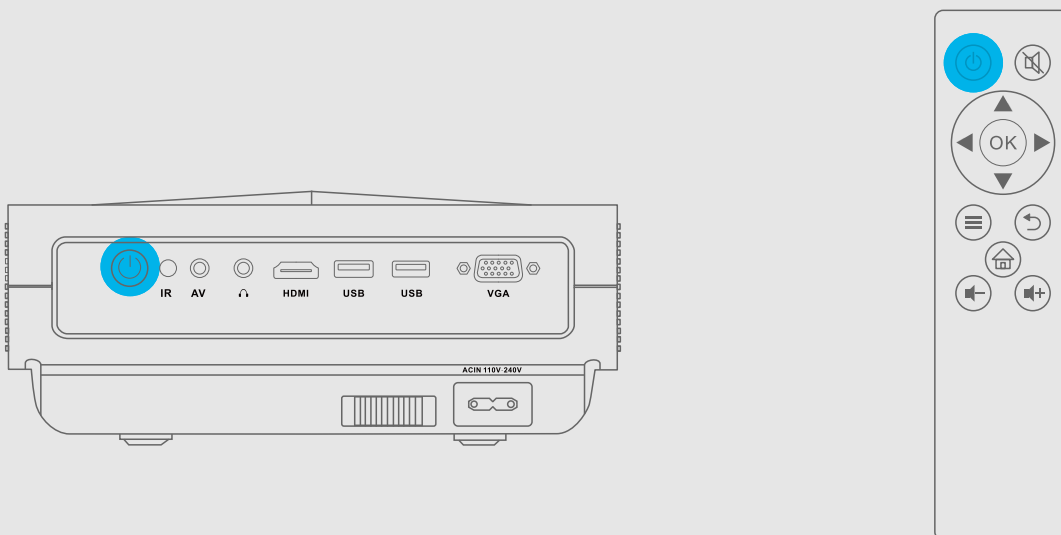
Power on/off the Projector

- Power on the projector



Indicator light will on after plugging in the power cord. Then press the Power button on the rear of projector or on the remote control, it enters into multimedia interface within 2 to 5 seconds.

- Power off the projector

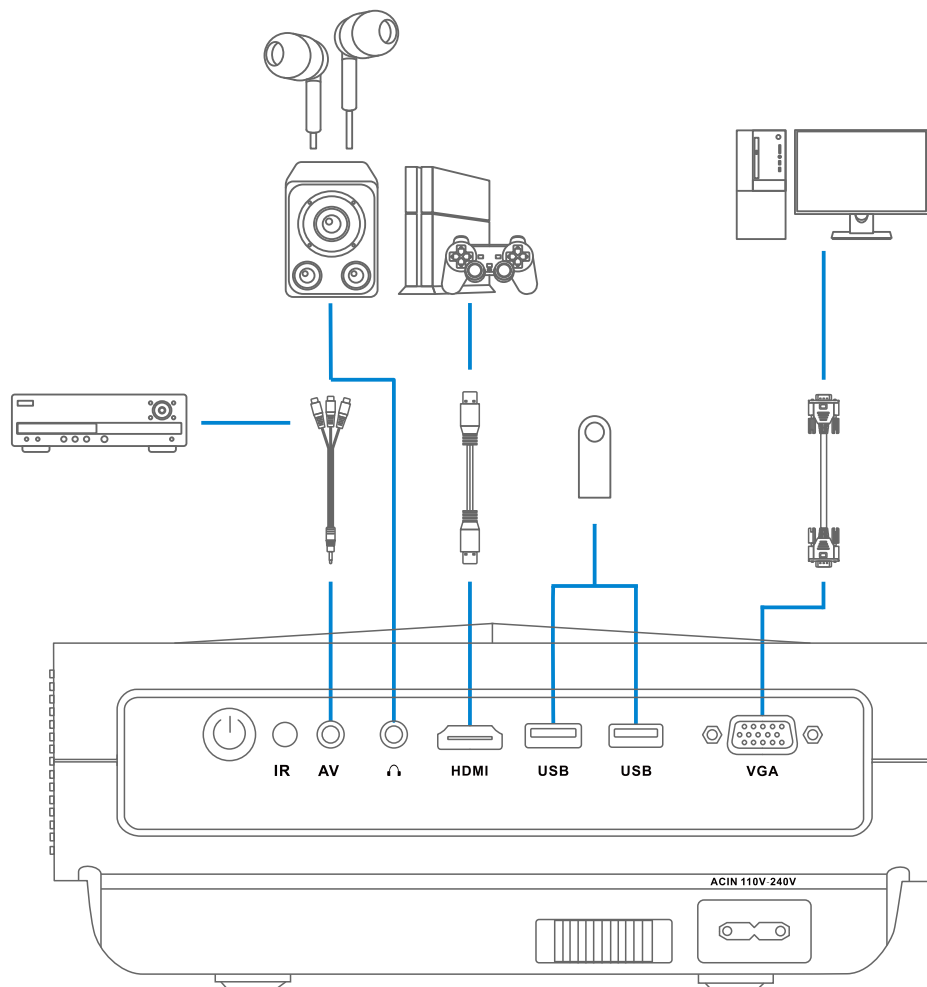


Press the Power button on the rear of Projector or on the remote control, the projector will shut off.

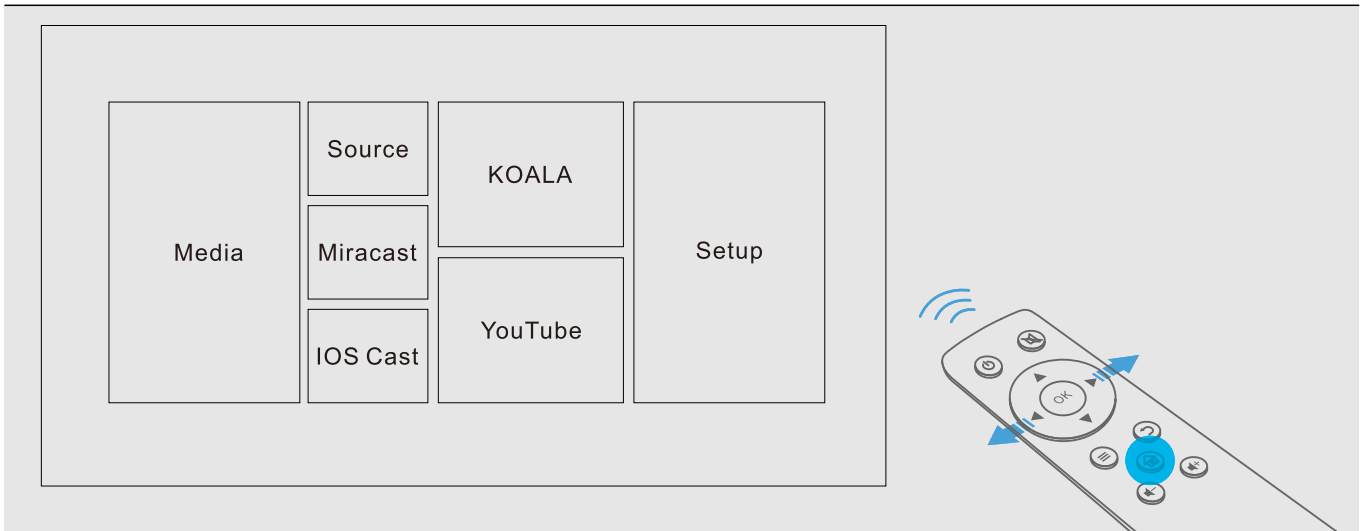
Projector Connections

You can connect the projector to a USB device, an audio source, an AV equipment, a VGA device or a HDMI device to enjoy your presentations, images, or other videos, with premium sound.

Introduction to Ports




Connecting to a device





Note: Media for U disk playback. Source for HDMI, AV, VGA. Miracast for Android. IOS Cast for Apple.

Connecting to a computer

The shortcut keys for output signals from different brands are different. See the computer manual for details.

(1) Press the windows key  + P key on the keyboard and select "Copy".

(2) Find the button of the " " symbol on the F1~F12 buttons on the keyboard, and press the Fn button at the same time to select "Copy".

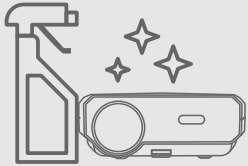
Common key combinations are as follows:

Lenovo	Fn+F3
Dell	Fn+F8
HP	Fn+F4
ThinkPad	Fn+F7
Asus	Fn+F8
Acer	Fn+F5
Samsung	Fn+F4
Sony	Fn+F7

Fujitsu	Fn+F10
Haier	Fn+F3
NEC	Fn+F3
Panasonic	Fn+F3
Sharp	Fn+F5
Hitachi	Fn+F7
TOSHIBA	Fn+F5

Note: The above content is for reference only, please refer to the computer manual

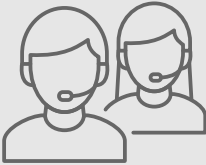
Projector Cleaning and Maintenance



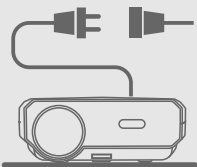
For optimum watching experiences and longer lifetime, please clean the projector periodically.



For projector maintenance, please seek help from or under the guidance of specified persons.

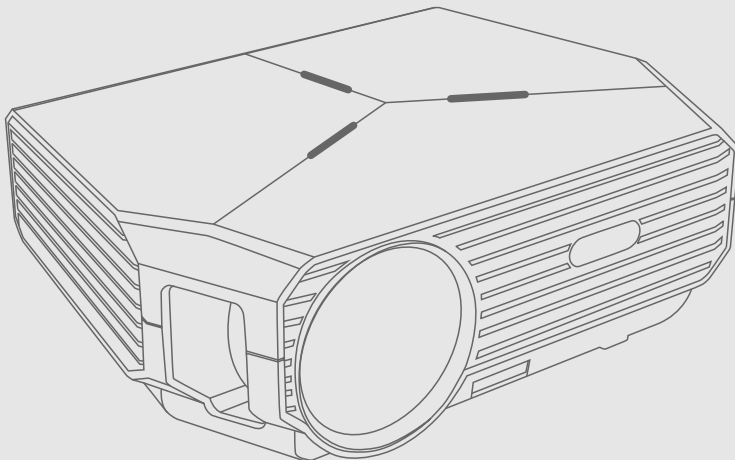


If it is necessary to replace any parts of the projector, please feel free to contact the dealer or qualified customer service team.



Before cleaning and maintaining the projector, please turn off the projector and unplug the power cord.

Projector Cleaning

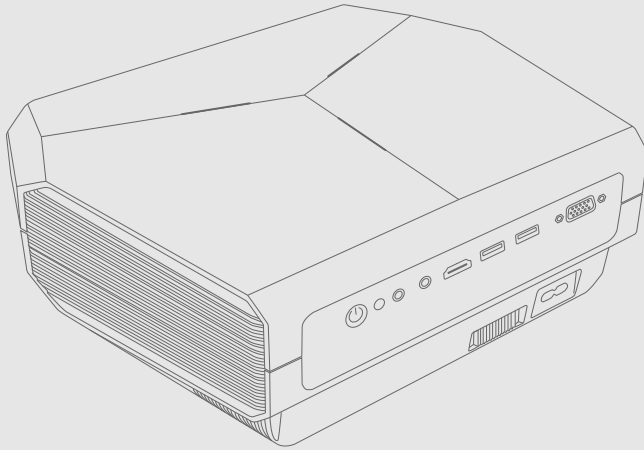


Always keep the projector clean to avoid affecting images quality and ventilation system during working caused by dust, dirt and smudge.



Cleaning the Projector Case

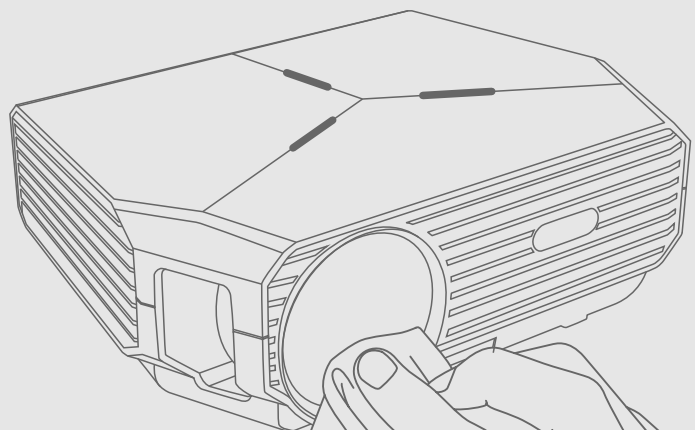
Use a piece of dry, soft and lint-free cloth to remove dust or dirt;



Use a piece of moistened and soft cloth with a little water and mild soap to remove stubborn dirt.

Cleaning the Lens

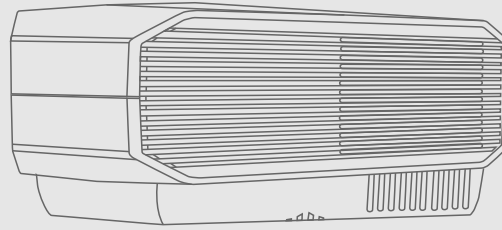
Gently wipe the lens with a piece of dry and non-abrasive cloth or paper to remove dust or dirt;



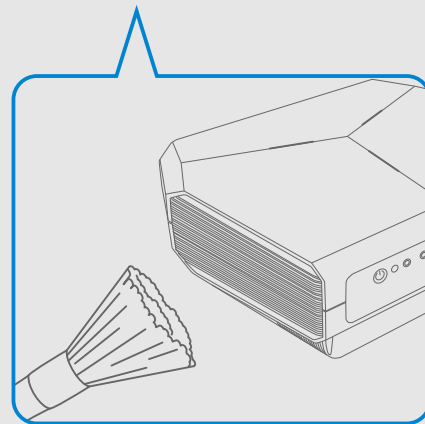
Gently wipe the lens by a piece of moistened (with a little water), non-abrasive and lint-free cloth to remove stubborn dirt.

Cleaning the Vents

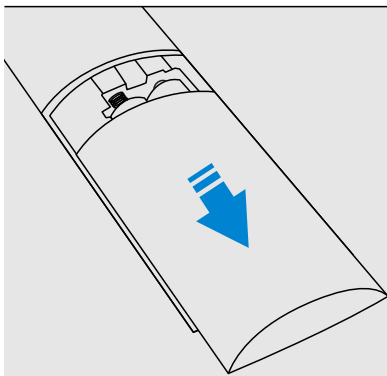
Use a soft brush or a special designed small vacuum to remove the dust.



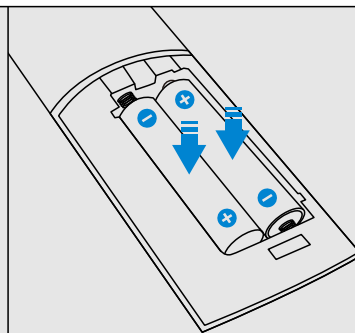
- Note: For cleaning process, do Not spray any liquid (included water) directly on any parts of the projector. Do Not use the chemical liquid to clean the projector which will damage the projector.



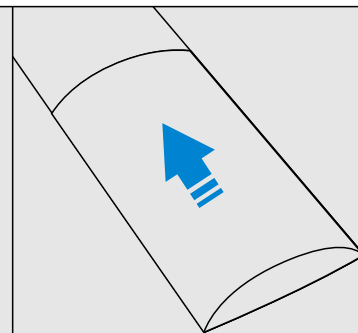
Batteries Replacement of the Remote Control



1. Open battery cover of the remote control;



2. Insert batteries with the + and – ends as the indicators on the battery box showed;



3. Close battery cover of the remote control properly.

Projector Maintenance

For this part, we only offer the basic maintaining suggestions. If you have any further requirements (replacement or repair), please contact the dealer or qualified customer service team.

Technical Specifications

To know product better and use projector properly, please read the table below:

Imaging Technology	LCD
Native Resolution	1280x 720 pixels
Maximum Supported Resolution	1920 x 1080 pixels
Light	LED
Lens	Multichip Coated Lens
Keystone	± 15 ° Correction
Screen Size	45-200 inches
Projection Distance	1.4-5.7M
Recommended Projection Distance	1.8M/60 inches
Projection Ratio	1.4:1
Aspect Ratio	16:9
Color	16.7k
Interface	1 x AC Input
	2 x USB Ports
	1 x VGA Port
	1 x AV Input
	1 x HDMI Port
	1 x 3.5mm Audio Jack
Consumption	85W±5W
Power Supply	AC 90~260V
Operating Temperature	-10°C~45°C
Cpu	TSUMV66LS
RAM	256MB
ROM	128MB
Supported Languages	Multi-Lingual
Package Accessories	Instruction Manual, Remote Control,Cleaning cloth Power cord,3-in-1 AV Cable,HDMI Cable
Product Size	260 x 192 x 91 MM
Product weight	1.53KG

Troubleshooting

As a high-tech product, the projector combined with optical, mechanical and electronic components and equipped with a protective and complicated circuit inside. To quickly solve your problems and to prevent improper using and settings, please follow operations below. If your problems or enquiries cannot be eliminated after reading the table, please do not hesitate to contact us.

Problem Description	Troubleshooting
The projector won't turn on	Check if the power source is the indicated one and the power cord is connected correctly. Make sure the power cord is not defective.
Lamp does not work after turning on the projector	Ensure power cord and power source are connected correctly. If the lamp gets damages, please contact us to replace the lamp
No images	Check whether the format and resolution of images are supported by the projector.
No response from remote control	Check whether batteries of the remote control run out or are installed correctly. Make sure there is no obstacle between the remote control and IR receiver. Always use the remote control within its effective distance (4m).
Obscure/Blurred images	Please rotate the focus ring, adjust the keystone and throw distance until the projected image is clear. Ensure the lens is clean.
Abnormal sound	Ensure the audio device is connected correctly and function well. Check if the mute or minimum volume mode is set.