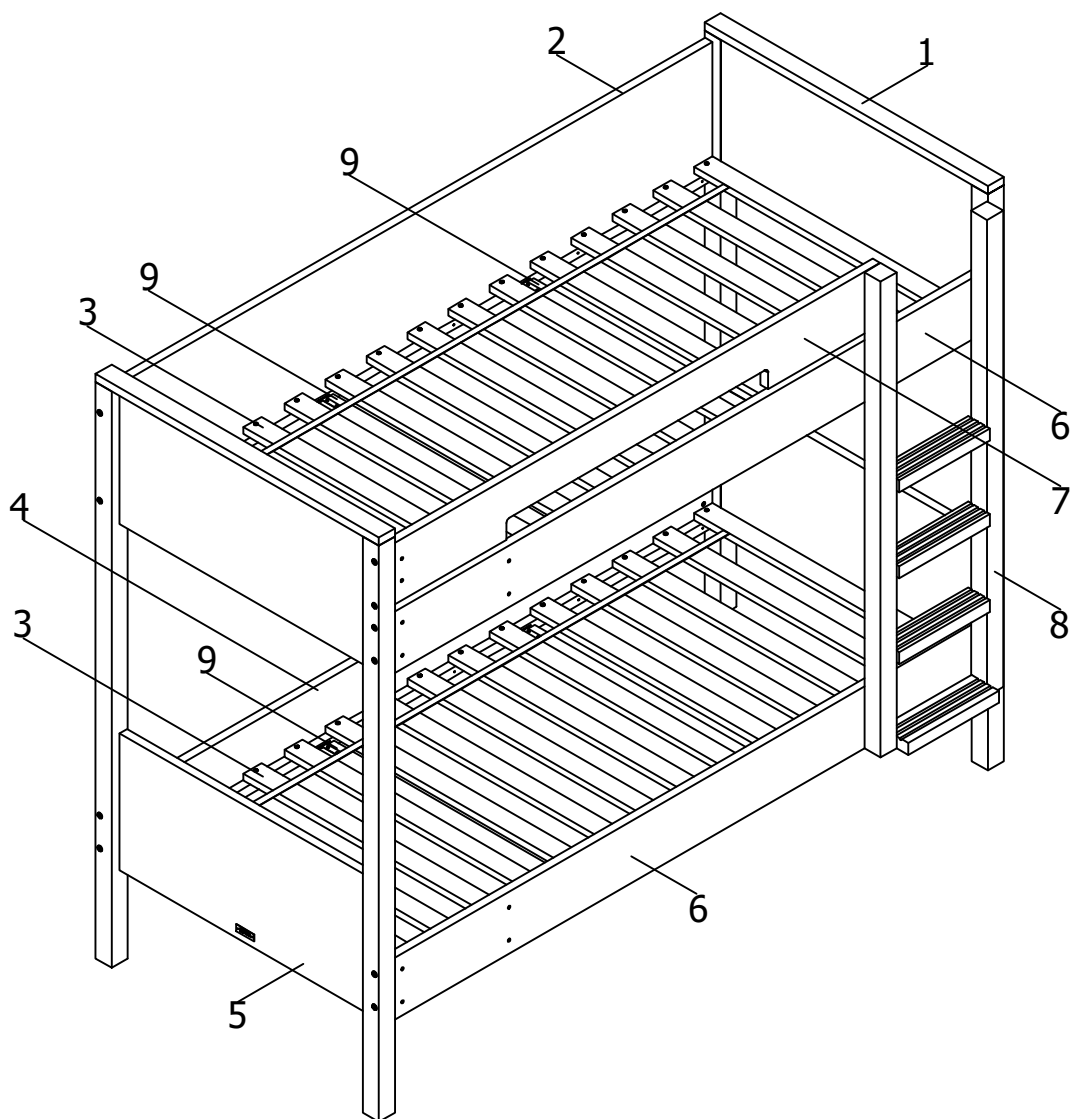




ASSEMBLY INSTRUCTION
MONTAGE HANDLEIDING
MONTAGE ANLEITUNG
NOTICE DE MONTAGE
MANUAL DE MONTAJE

UK
NL
D
F
ESP

MODEL :SEPPE
TYPE :BUNKBED
COLOUR :WHITE
ART.CODE :6146.11.

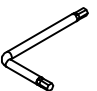





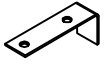

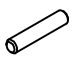



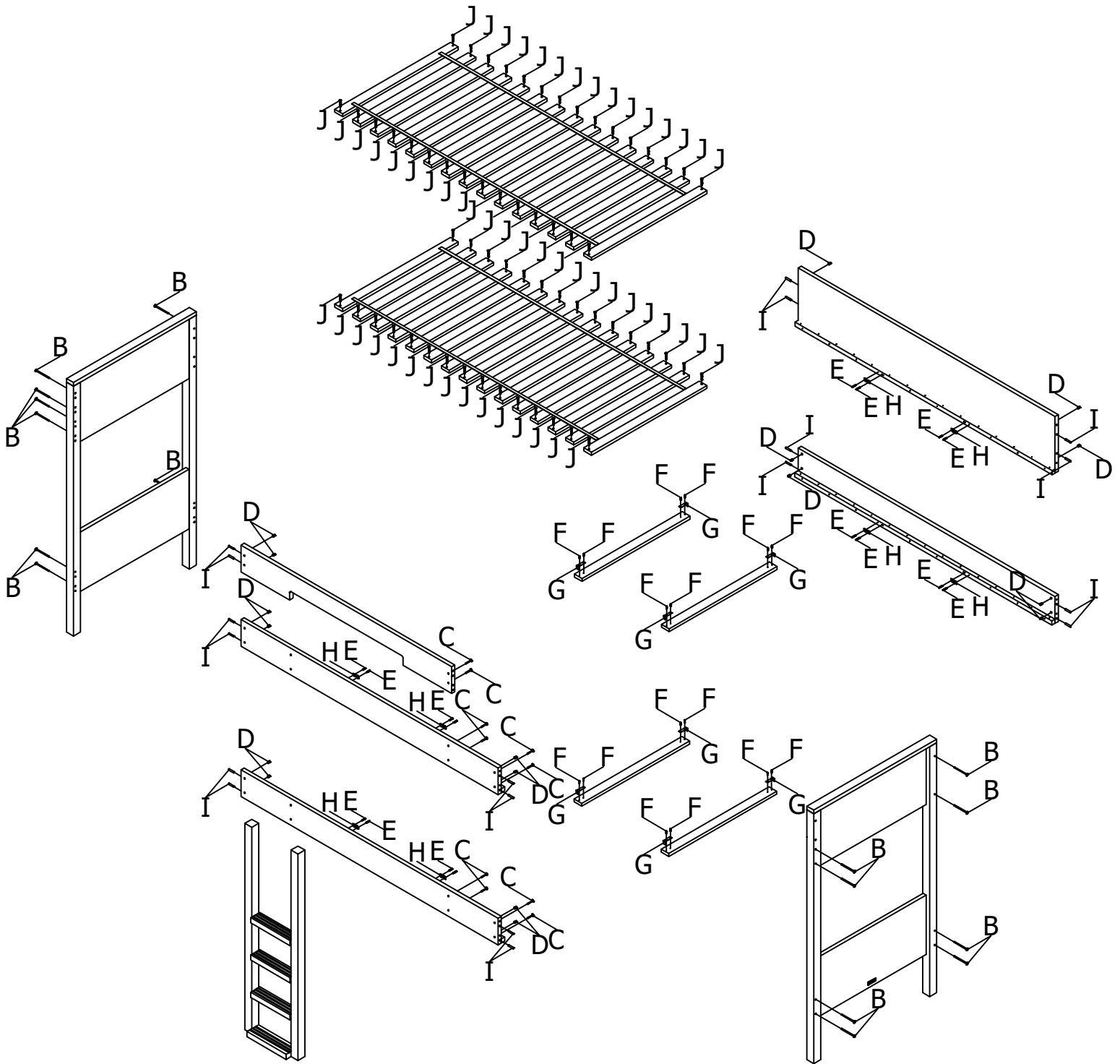
Distributor:

BOPITA
Energieweg 1
6662 NS Elst
The Netherlands

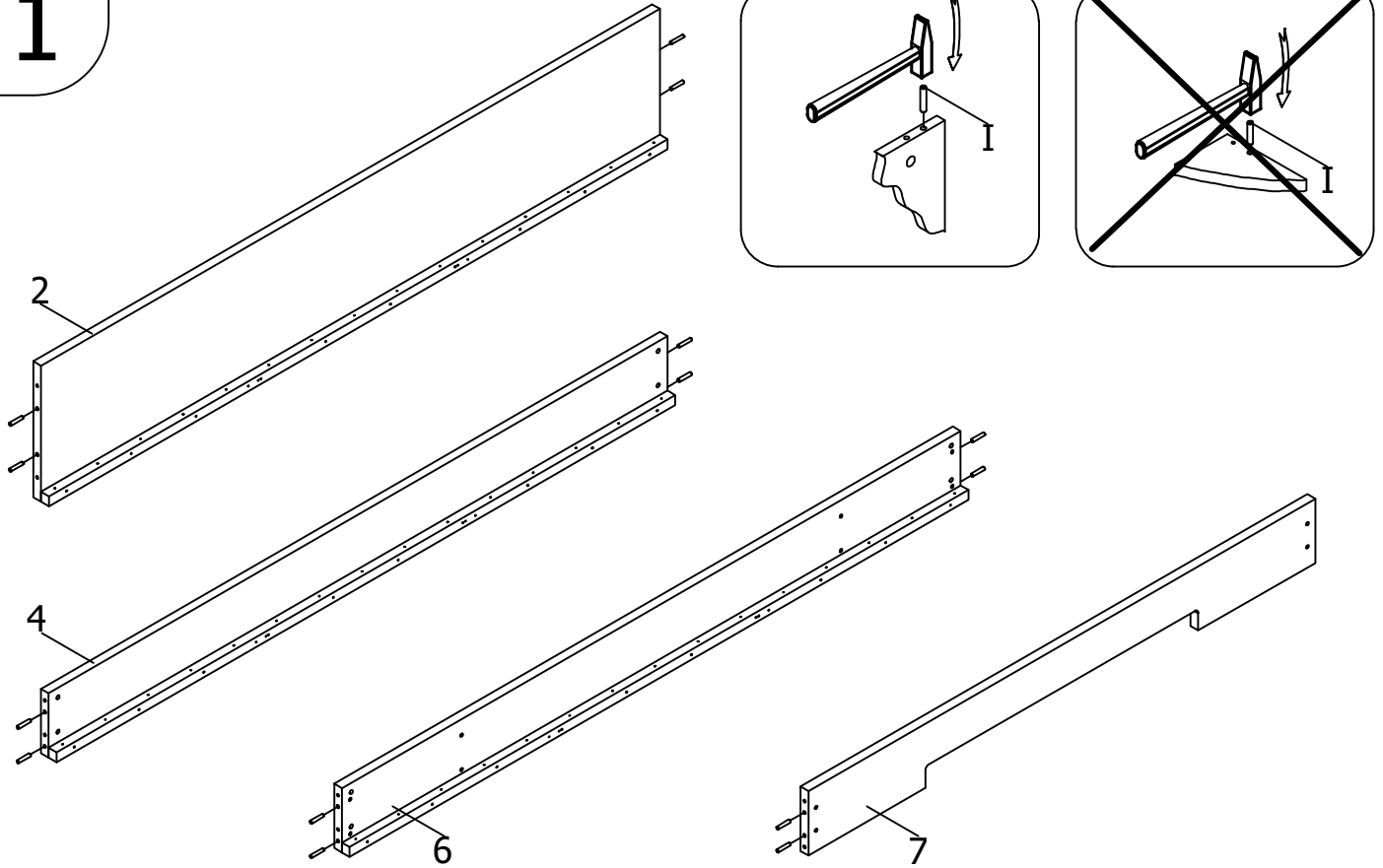
www.bopita.com

28.01.2020.

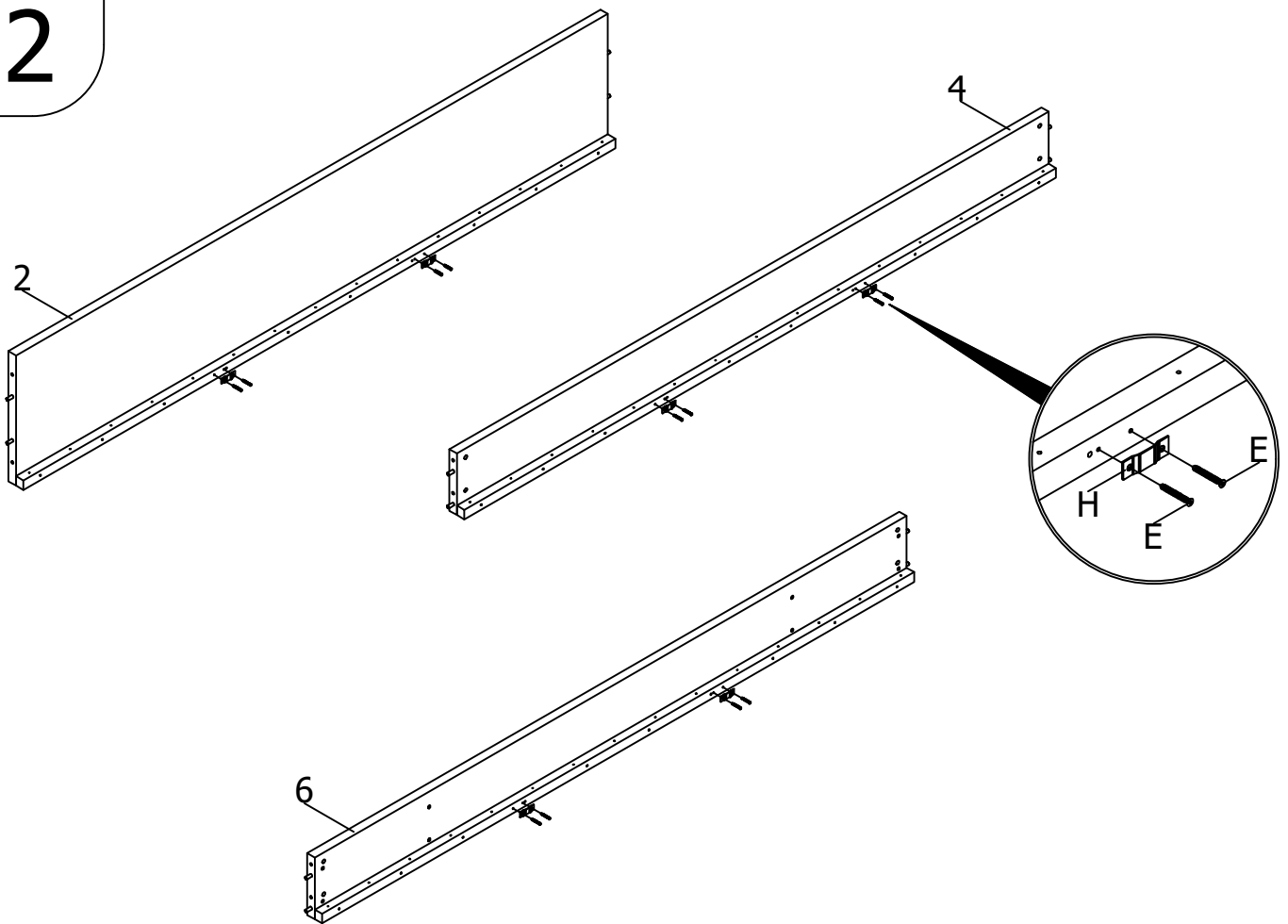
| | | | | |
|---|---|---|--|---|
| A | B | C | D | E |
|  |  |  |  |  |
| 1X | M6X100 18X | M6X35 10X | M6 18X | 3,5X25 16X |
| artcode:445001 | artcode:441028 | artcode:441013 | artcode:442004 | artcode:431008 |
| F | G | H | I | J |
|  |  |  |  |  |
| 3,5X16 16X | 8X | 8X | Ø8x40 18X | 5X40 60X |
| artcode:431006 | artcode:446108 | artcode:446107 | artcode: | artcode:431034 |

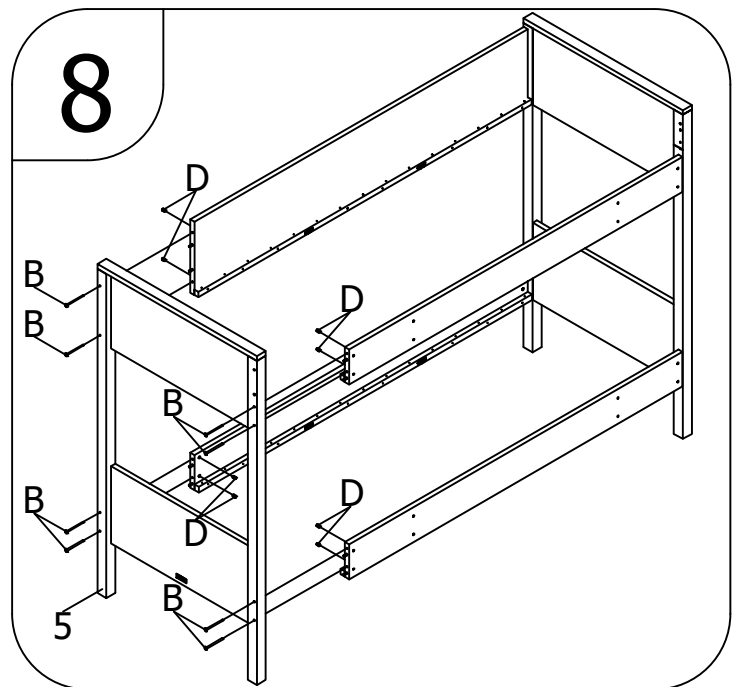
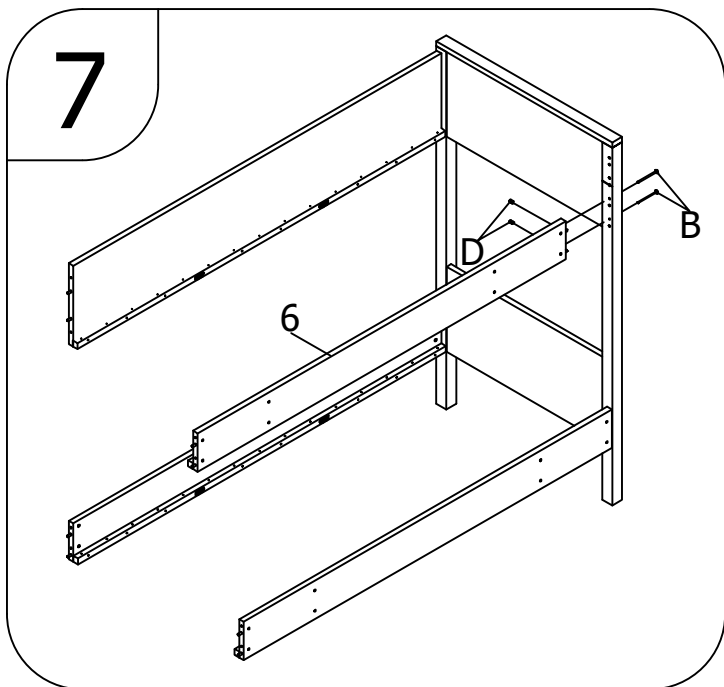
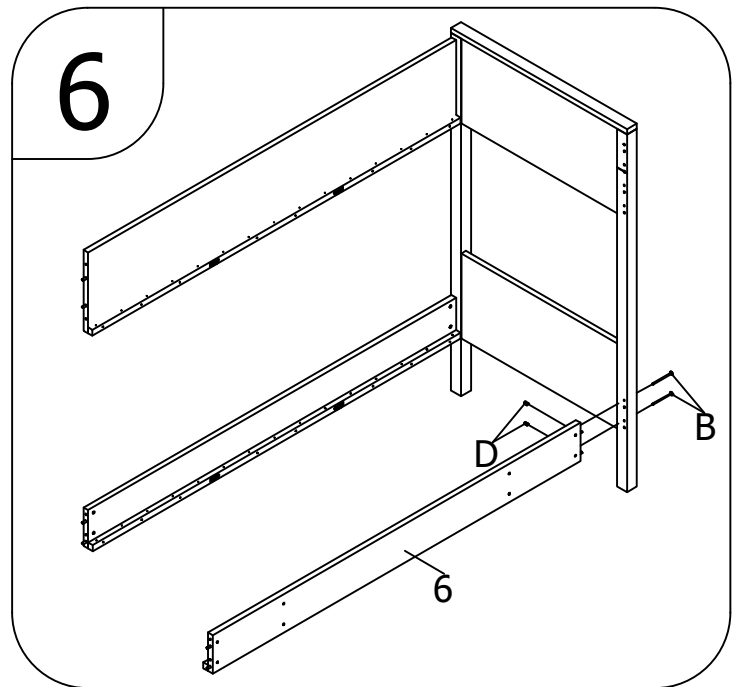
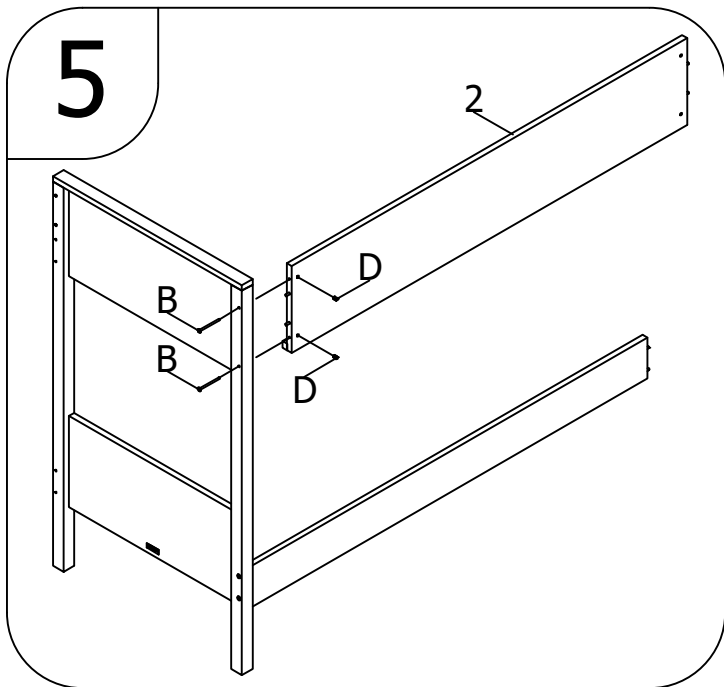
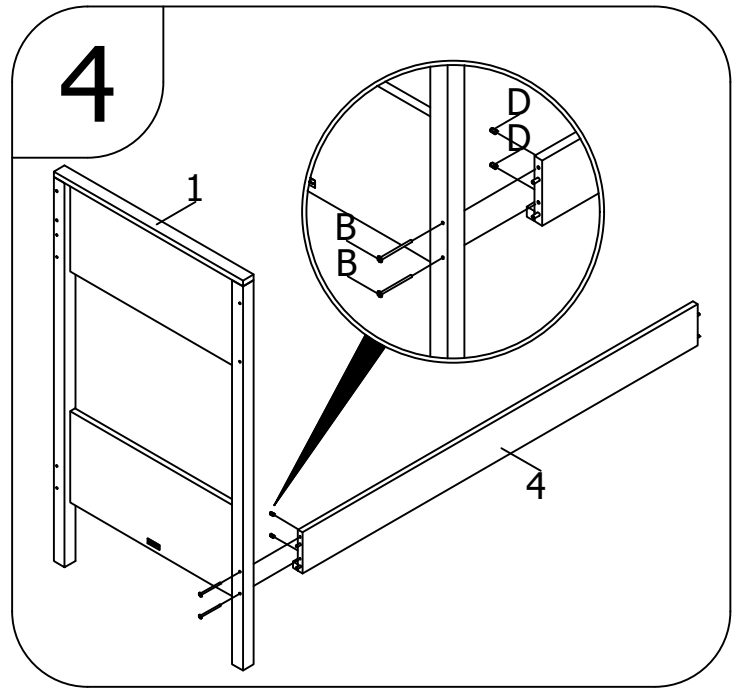
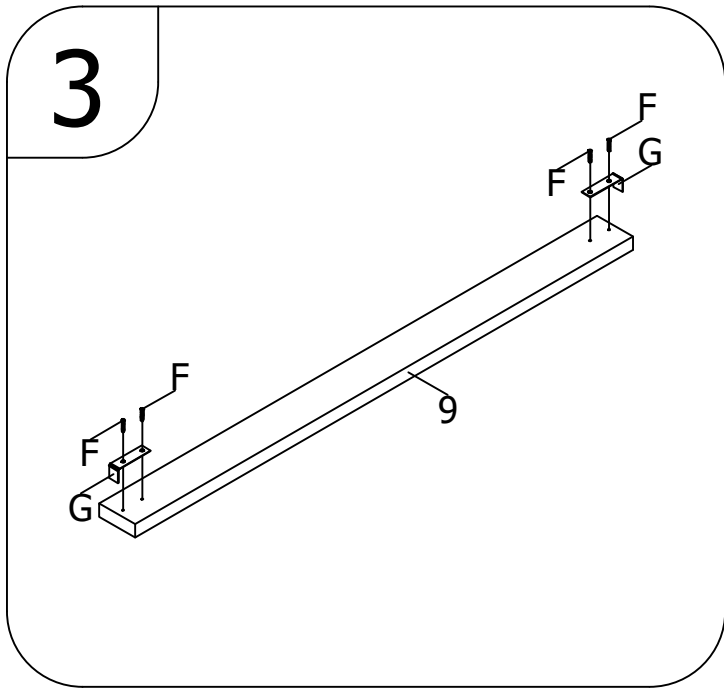


1

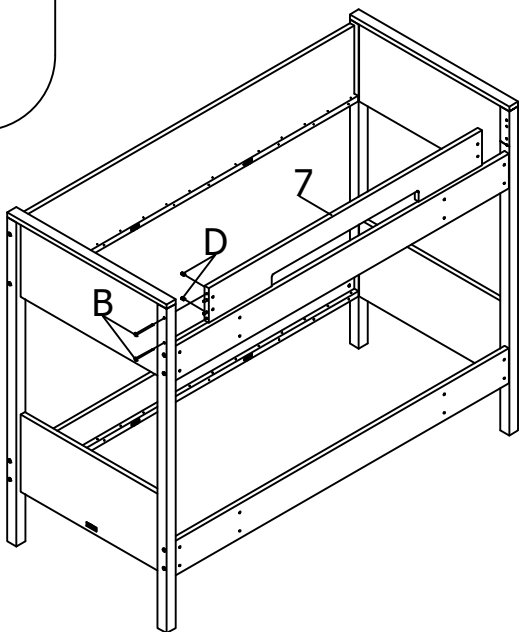


2

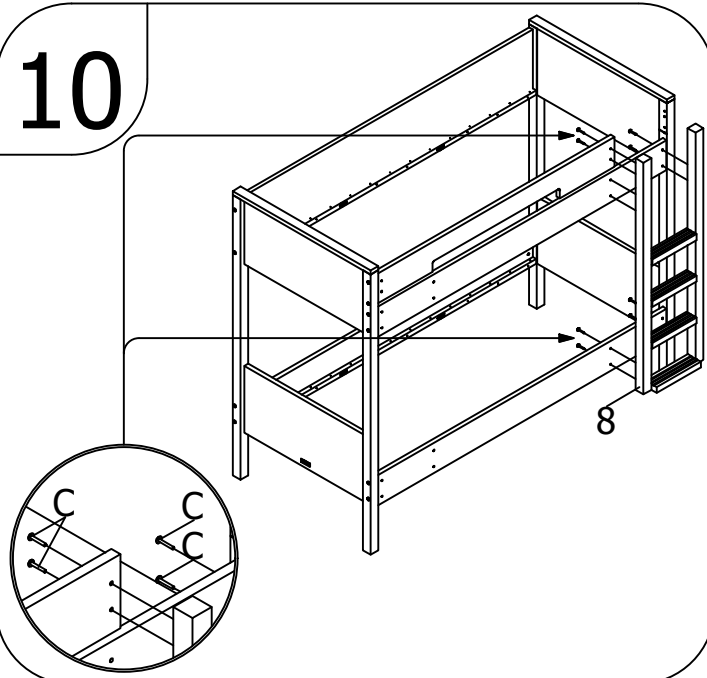




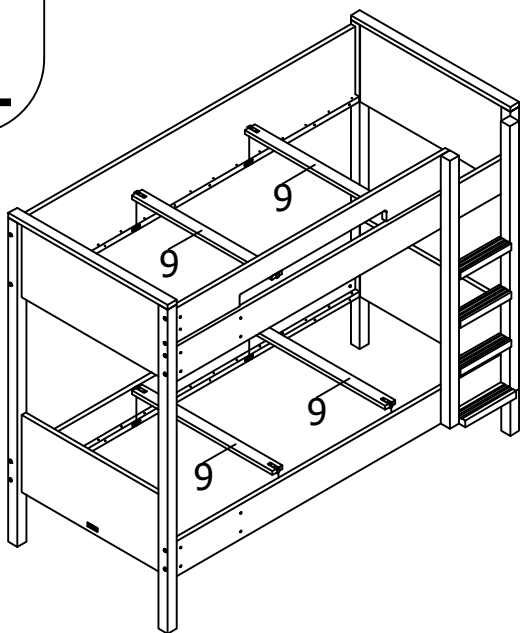
9



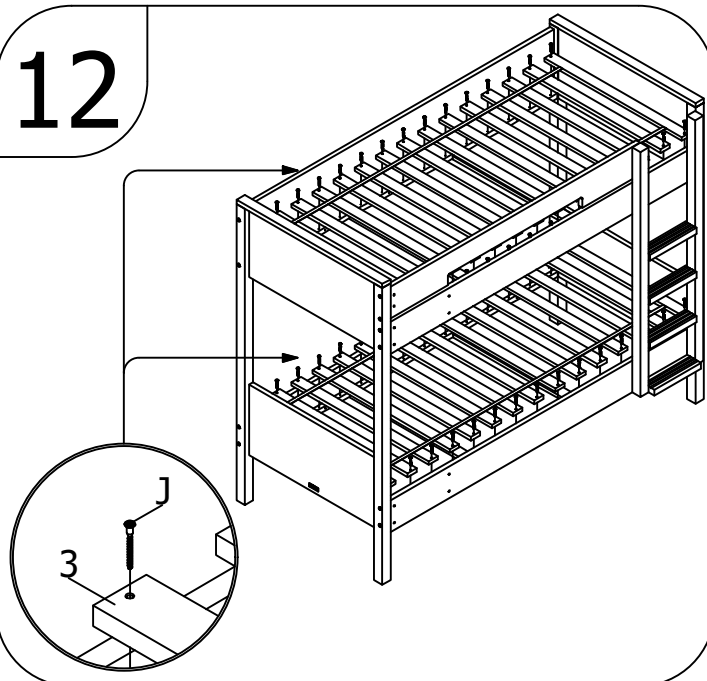
10



11



12



13

