

AREBOS

Standing Heater 2000W

AR-HE-SH2000BB/S



Please follow all security measures in this user's manual to ensure a secure use.



Thank you for trusting in AREBOS.

Table of Contents

| | |
|---|-----------|
| 1. Safety Instructions..... | 3 |
| 1.1 Explanation of the symbols | 3 |
| 1.2 General safety instructions | 3 |
| 1.3 Specific safety advices | 4 |
| 1.4 Intended use..... | 6 |
| 1.5 Foreseeable misuse | 6 |
| 2. Overview of the device | 7 |
| 3. Technical Data | 7 |
| 4. Assembly..... | 8 |
| 5. Operation | 10 |
| 6. Errors and faults | 10 |
| 7. Maintenance..... | 11 |
| 7.1 Activities required before starting maintenance | 11 |
| 7.2 Cleaning the device | 11 |
| 8. Disposal instruction | 11 |
| 8.1 Disposal of the packaging..... | 11 |
| 8.2 Disposal of waste equipment..... | 11 |
| 8.3 Meaning of the “dustbin” | 11 |
| EU Declaration of Conformity | 13 |

Please read and save these instructions. Read through this user's manual carefully before using this product. Protect yourself and others by observing all safety information, warnings and cautions. Failure to comply with instructions could result in personal injury and/or damage to product or property. Please retain instructions for future reference.

1. Safety Instructions

1.1 Explanation of the symbols



This product **must not** be disposed of with household waste!



By means of a CE marking, it can be recognized that a product complies with the legal requirements of European legal standards and therefore may be traded within the European Community.



Warning of electrical voltage!



Warning! Hot surface!



Warning! Read the safety instructions carefully. Failure to follow the safety precautions could result in serious injury or damage. Keep the operating instructions in a safe place.

1.2 General safety instructions

- Keep all safety information and instructions for future reference.
- The appliance can be used by children aged from 8 years and above and persons with reduced physical, sensory or mental capabilities or lack of experience and / or knowledge if they have been given supervision or instruction concerning use of the appliance in a safe way and understand the hazards involved.
- Children must not play with the appliance. Cleaning and user maintenance must not be carried out by children without supervision.
- Children younger than 3 years must be kept away unless they are supervised at all times.

- Children aged 3 years and under and under 8 years may only switch the appliance on and off if they are supervised or have been instructed in the safe use of the appliance and understand the resulting hazards, provided that the appliance is placed or installed in its normal position of use
- Children aged 3 years and under 8 years must not insert the plug into the socket, regulate the appliance, clean the appliance and/or carry out user maintenance.
- Do not use the appliance in small rooms if there are people in them who cannot leave the room independently and are not under constant supervision.
- Do not operate the unit in rooms where there is a risk of explosion.
- Do not operate the unit in aggressive atmospheres.
- Allow the unit to dry after wet cleaning. Do not operate the unit when it is wet.
- Do not operate or handle the unit with wet or damp hands.
- Do not expose the unit to direct water jets.
- Never insert objects or limbs into the unit.
- Do not cover or transport the unit during operation.
- Do not sit on the unit.
- The appliance is not a toy. Keep children and animals away. Only use the appliance under supervision.
- Before each use, check the appliance, its accessories and connecting parts for possible damage. Do not use defective devices or device parts.
- Make sure that all electrical cables outside the unit are protected from damage (e.g. by animals). Never use the unit if the electrical cables or the mains connection are damaged!
- The power connection must comply with the specifications in the chapter Technical Data.
- Insert the mains plug into a properly fused mains socket.
- Select mains cable extensions taking into account the appliance connection power, cable length and intended use. Unroll extension cords completely. Avoid electrical overload.
- Before servicing, maintaining or repairing the unit, unplug the mains cable from the mains socket by grasping the mains plug.
- Switch off the unit and unplug the power cord from the mains socket when you are not using the unit.
- Never use the unit if you notice any damage to the power plug or power cord. If the mains lead of this appliance becomes damaged, it must be replaced by the manufacturer or its after-sales service or a similarly qualified person in order to avoid hazards. Defective mains cables pose a serious health hazard!
- During installation, observe the minimum distances to walls and objects as well as the storage and operating conditions according to chapter Technical data.
- Do not use the unit in the immediate vicinity of curtains.
- Do not transport the unit during operation.
- Let the unit cool down before transport and / or maintenance work.
- Do not use this unit near bathtubs, shower trays, swimming pools or other vessels containing water. There is a risk of electric shock!
- The unit must not be placed directly below a wall socket.
- The appliance must be installed in such a way that switches and other controls cannot be touched by a person in the bath or shower.
- The appliance must not be used with a programme switch, a timer, a separate remote control system or a similar device that switches the appliance on automatically, as there is a risk of fire if the heater is covered or incorrectly positioned.

1.3 Specific safety advices

- Only use the halogen heater on a firm solid horizontal area where all the feet on the base are in

contact with the floor. (Should the heater be tilted or fall over the auto cut off switch will activate)

- Site the heater outside or in a large open area and well away from any obstructions such as branches or where the heater is near any objects that can be affected by heat, such as furniture,
- curtains or other inflammable objects (**minimum distance 1 meter**).
- Do not use near bath tubs, wash areas or swimming pools.
- Do not use in unventilated areas
- Do not use where gas, petrol, paint or other inflammable goods are stored.
- Do not push any items through, obstruct or cover the grill of the heater head.
- Do not position immediately above or below an electrical socket.
- Do not move when connected to an electrical supply and always wait for the patio heater to cool down before storing away.
- Do not touch the heater head when in use.
- Do not leave turned on and unattended especially when children and or animals are in the vicinity.
- The indication of the different positions of switches shall be visible from a distance of 1m.
- The Marking concerning covering shall be visible after the heater has been installed. It shall not be placed on the back of portable heaters.
- The unit must be fixed with the clearance of 100cm to the wall and 30cm to the ceiling.
- The unit must be correctly installed according to the instructions. Make sure the head is at least 1.8m from the floor.
- The unit must be securely fixed on a horizontal and flat surface.
- The unit is at high temperature during operation. It keeps hot for a period after shut down. Potential danger would occur when touching it during this period.
- Don't fixed the unit closed to curtain and/or other flammable objects. Otherwise, there will be a danger of catching fire.
- Don't cover the unit with anything during operation or a short time after it's shut down.
- Don't wrap the power supply cord on the unit.
- The unit must be handled with care, and avoid vibration or hitting.
- The unit must be securely grounded during operation.
- If the unit gets damaged, it must be repaired by professional electricians.
- When the power supply cord is damaged, it must be replaced by authorized agent or other professional people to avoid danger.
- The unit must not be fixed under a socket.
- When assembling, keep clear from any board or flammable material.
- The unit must be supervised by adults if it's used by a child.
- It is not safe to install the unit by a swimming pool, in a bathroom or shower area.
- The unit is for household use only. It is not safe to use on a building site, greenhouse, barn or stable where there's flammable dust.
- The head of the unit is at high temperature during operation. Unplug the unit and wait till it cools before cleaning.
- Don't use this unit in place where causticity or volatile air exists, i.e., dust, steam, gas, etc.
- Don't use this unit as a cloth drier or towel drier.
- Don't use this unit as a sauna heater.
- Don't use this unit as a room heater.
- Don't use this unit in place of animal propagating and raising.
- Don't immerse this unit into water for cleaning.
- The unit should be plugged in a socket, which is easily visible and reachable.
- Two Dark points may exist on the surface of the heating elements during the first few minutes after it is turned on. This is normal, and will not affect the performance of the unit.

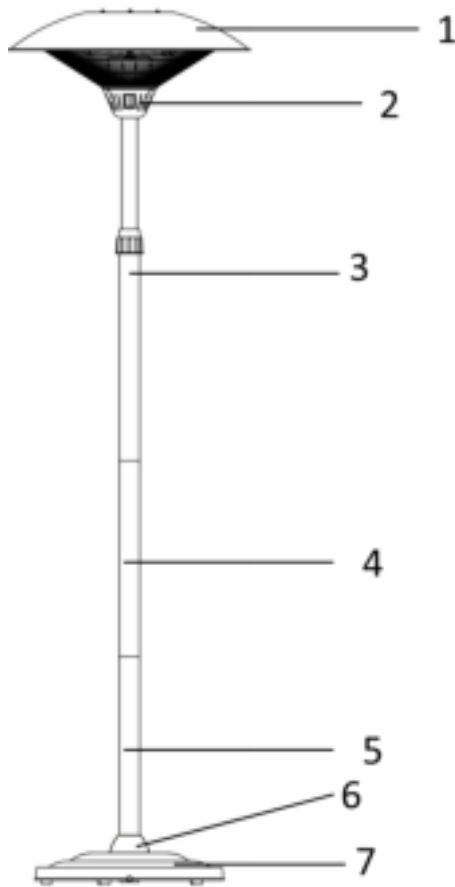
1.4 Intended use

- Use the device for heating surfaces in roofed outdoor areas and protected from weather exposure.
- The device is only intended for floor installation.
- Intended use comprises:
- Heating surfaces
 - in storage facilities,
 - in construction areas,
 - in containers,
 - in the catering trade,
 - at trade fairs and events,
 - in roofed outdoor areas (e. g. covered terraces).

1.5 Foreseeable misuse

- The device is not intended for industrial use.
- Do not place any objects, e.g., clothing, on the device.
- Do not use the device for heating in vehicles.
- Do not use this device in the vicinity of fuel, solvents, varnishes or other easily inflammable vapors or in rooms where these substances are stored.
- The device may not be used as a heating device for babies/ children or animals.
- The device may not be installed inside a shower or directly above a bathtub.
- The device must not be used near swimming pools.
- Do not use this device in the immediate vicinity of sinks, bathtubs or other water containers.
- Never immerse the device in water.
- Any other use than the one described in the chapter “intended use” is regarded as reasonably foreseeable misuse.
- Any unauthorized changes, modifications or alternations to the device are forbidden.

2. Overview of the device



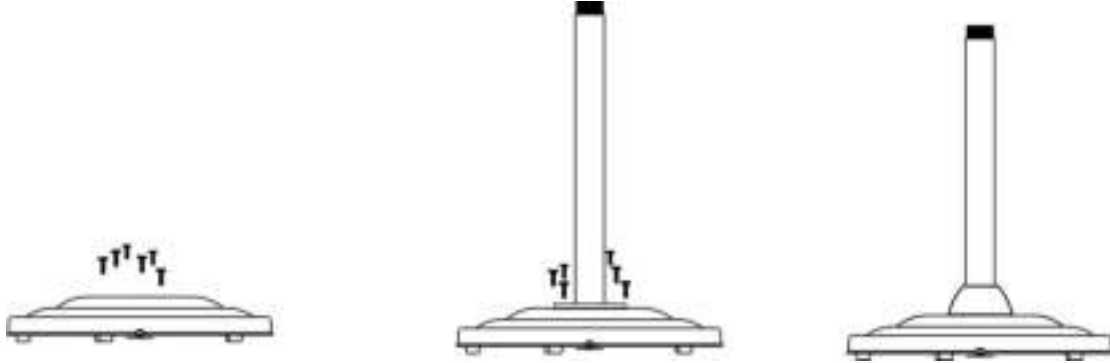
1. Grille and heating elements
2. On / Off switch
3. Upper telescopic rod with lock
4. Central rod
5. Bottom rod
6. Decoration attachment
7. Base

3. Technical Data

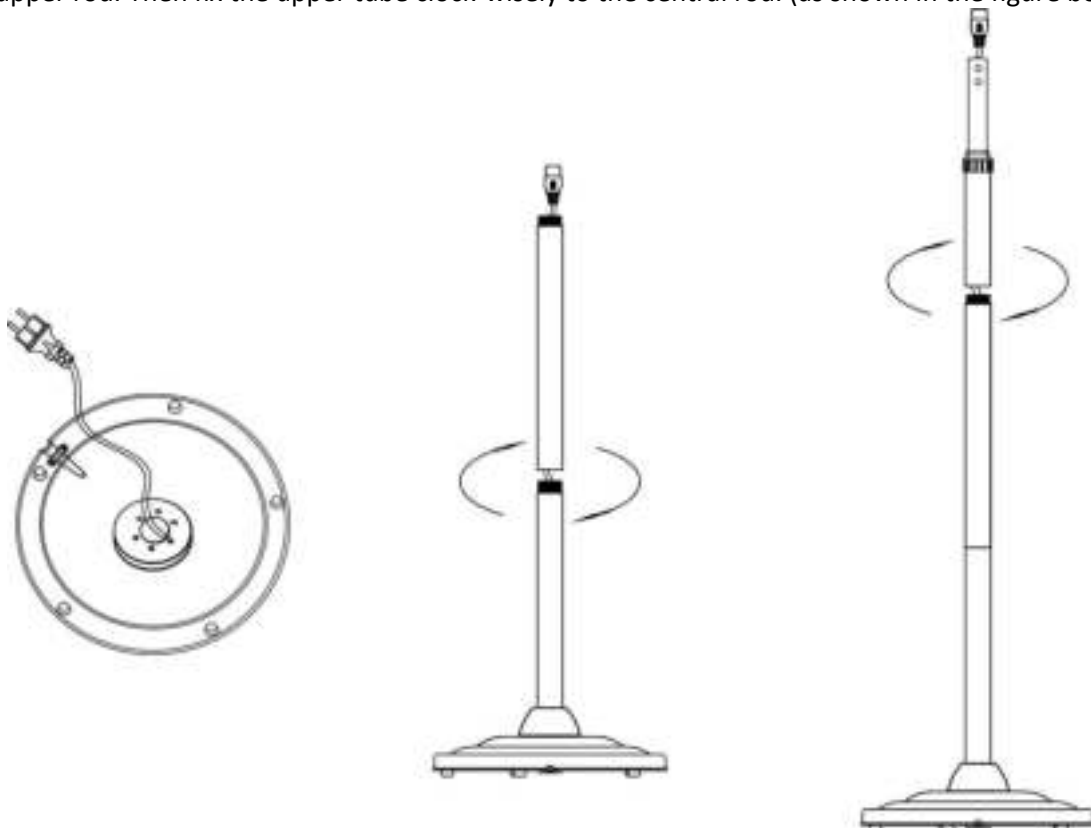
| | |
|----------------------|--|
| Model | AR-HE-SH2000BB (black); AR-HE-SH2000BS (silver) |
| Heating capacity | 1000 W / 2000W |
| Mains connection | AC 220-240V / 50-60Hz |
| Protection Class | IP 34 |
| Dimension of product | 590 x 590 x 1940 -2040 mm (height adjustable) |
| Weight | 11.5 Kg |

4. Assembly

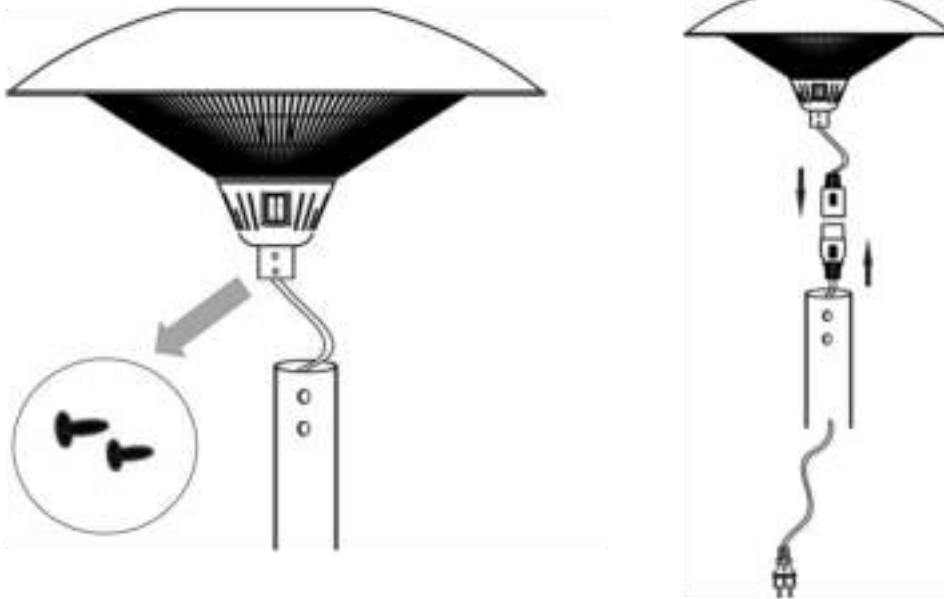
- Step 1: Fasten the bottom rod to the ground base by means of M6x30 screws (6x). Slide the decoration attachment over the rod and onto the round base.



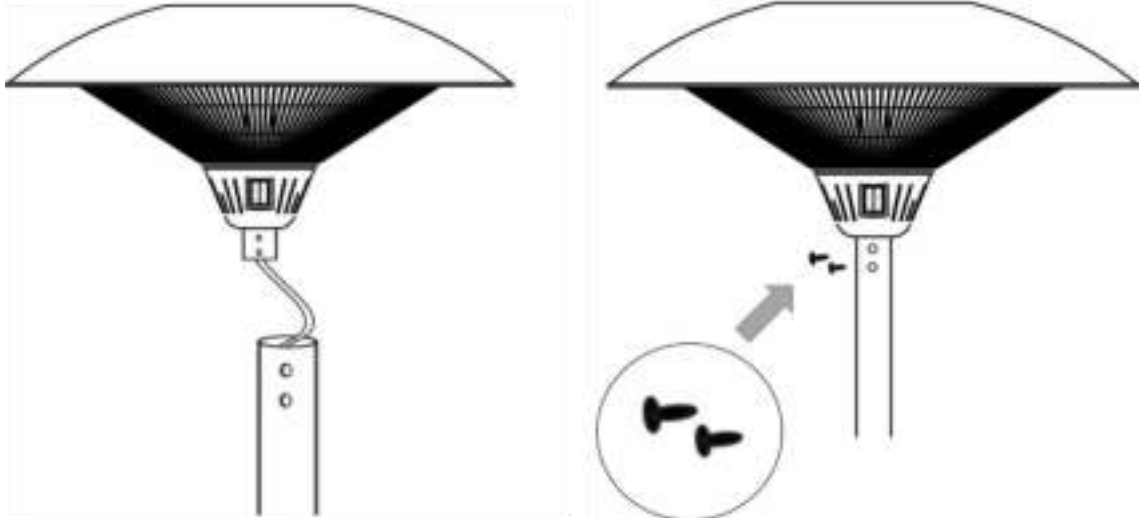
- Step 2.1: To fix the central rod to the bottom rod, guide the power cord through the center hole of bottom and central rod from the base, then rotate the central rod clockwise to fix it to the bottom tube.
- Step 2.2.: Similarly, to fix the upper tube to the central rod, guide the power cord through the upper rod. Then fix the upper tube clock-wisely to the central rod. (as shown in the figure below)



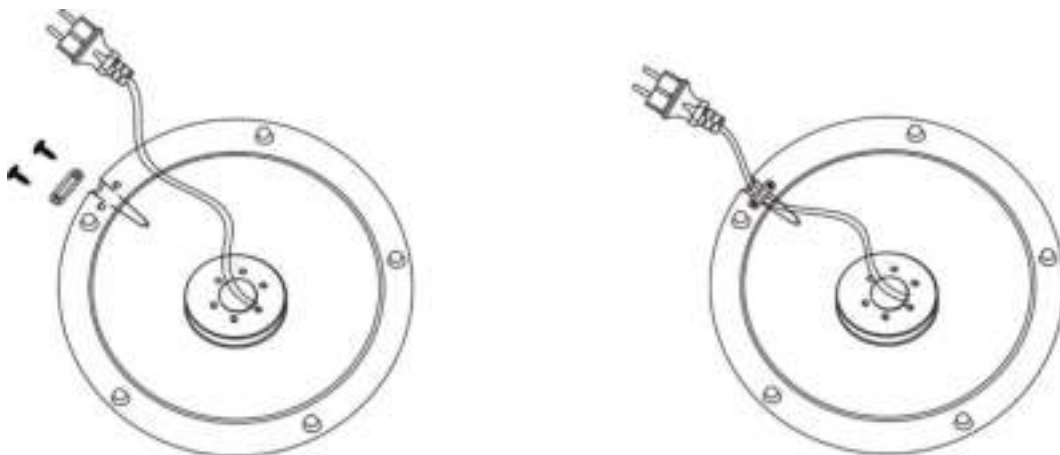
- Step 3: Remove two screws (M4x10) from the product line box, set them aside for Step 4, and connect the plug of the power cable to the socket of the radiant heater.



- Step 4: Place the radiant heater onto rod and fix it by using the M4x10 screws (2x) from Step 3.

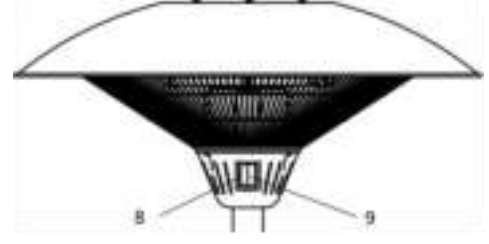


- Step 5: Tilt the device carefully, then fasten the power cord to the foot base using the clamp and the M6x14 screws (2x).



5. Operation

- Connect the power cable to a 13 Amp supply that is located in a safe, dry area.
- The switch on the heater head is used to control the two-heater setting.
- Level I for 1000W; Level II for 2000W.

|  | No. | Designation / Use |
|---|-----|--|
| | 8 | On /Off switch for heating level I <i>(to switch the upper heating element on / off)</i> |
| | 9 | On /Off switch for heating level II <i>(to switch the lower heating element on / off)</i> |

- Although the heater is shower proof, do not use when raining or in wet conditions.
- Always disconnect the power cable from the electrical supply, when the heater is not in use.

6. Errors and faults

| Problem | Solution |
|--|---|
| The device does not start. | <ul style="list-style-type: none"> - Check the power connection. - Check the power cable and mains plug for damages. - Check the on-site fusing. - Wait for 10 minutes before restarting the device. If the device is not starting, have the electrics checked by a specialist company. |
| The device does not emit heat. | <ul style="list-style-type: none"> - The heating element may be defective. If the heating element is defective, have it replaced by a specialist electrical company. - Check the on/off switch. If the on/off switch is set to the 0 position, the device is switched off. - Switch the device on. |
| RCD or another fuse trips. | <ul style="list-style-type: none"> - Check the fuse. Switch off any other devices to reduce the load on the line. - Contact a specialist electrical company. |
| The device slightly vibrates during switch-on and then stops vibrating. | <ul style="list-style-type: none"> - Slight vibrations during switch-on are a normal process. No measures are required. <p>Note: Wait for at least 3 minutes after maintenance and repair work. Only then switch the device back on.</p> |
| Your device still does not operate correctly after these checks? | <ul style="list-style-type: none"> - Please contact the customer service. If necessary, bring the device to an authorized specialist electrical company for repair. |

7. Maintenance

7.1 Activities required before starting maintenance

- Do not touch the mains plug with wet or damp hands.
- Switch the device off.
- Hold onto the mains plug while pulling the power cable out of the mains socket.
- Allow the device to cool down completely.

7.2 Cleaning the device

- Clean the device with a soft, damp and lint-free cloth. Ensure that no moisture enters the housing. Protect electrical components from moisture. Do not use any aggressive cleaning agents such as cleaning sprays, solvents, alcohol-based or abrasive cleaners to dampen the cloth.
- Wipe the housing dry after cleaning.
- Dirt on the heating rods should be removed with a long brush with soft bristles.

8. Disposal instruction

8.1 Disposal of the packaging

- Please make reference to the guidelines and standards for appropriate disposal of the packaging valid in your region. In part, the package may consist of plastic bags - watch this respect, with special care to ensure that this is not out of the reach of children. There is a risk of suffocation!

8.2 Disposal of waste equipment

- Equipment must be disposed of in accordance with the rules and regulations of the local waste disposal.
- At the end of the long life of your article, please dispose of the valuable raw materials for proper disposal so that proper recycling can take place. If you are not sure how to proceed, the local waste disposal companies or recycling centers are happy to help.

8.3 Meaning of the “dustbin”



The symbol of the crossed-out dustbin on batteries or accumulators indicates that they must not be disposed of with household waste at the end of their service life. If batteries or accumulators contain mercury (Hg), cadmium (Cd) or lead (Pb), you will find the respective chemical symbol below the symbol of the crossed-out trash can. You are legally obliged to return old batteries and accumulators after use. You can do this free of charge in a retail store or at another collection point near you. Addresses of suitable collection points can be obtained from your city or local government.

Batteries may contain substances that are harmful to the environment and human health. Special care must be taken when handling batteries containing lithium due to the particular risks involved. The separate collection and recycling of old batteries and accumulators is intended to avoid negative effects on the environment and human health.

Please avoid the generation of waste from old batteries as much as possible, e.g. by preferring batteries with a longer life or rechargeable batteries. Please avoid littering public spaces by not carelessly leaving batteries or electrical and electronic equipment containing batteries. Please consider

ways to reuse a battery instead of disposing of it, for example by reconditioning or repairing the battery.

You can also find more information on the Battery Act on the Internet at www.batteriegesetz.de.

You can also visit our website at www.arebos.de to find out about other return options we have created.

Our customer service number: +49 (0) 931-45232700

EU Declaration of Conformity

We,

Canbolat Vertriebs GmbH, Gneisenaustraße 10-11, 97074 Würzburg, Germany,

Hereby declare that the product named below, seen its design and construction as well as according to our sales, has been complied with the relevant and basic health and safety EU-requirements.

Name of the product: Standing Heater 2000W

Art. Nr.: 4260627427536 (black); 4260627427178 (silver)

Model Nr.: AR-HE-SH2000BB (black); AR-HE-SH2000BS (silver)

If the product has any modification not allowed by us, this declaration loses its validity.

Tested acc. to:

Low Voltage Directive 2014/35/EU

EN 60335-1:2012+A11+A13+A1+A14+A2

EN 60335-2-30:2009+A11

EN 62233:2008

Electromagnetic Compatibility 2014/30/EU

EN 55014-1:2017

EN 55014-2:2015

EN 61000-3-3:2013

EN 61000-3-2:2014

RoHS Directive

2011/65(EU) and 2015/863 (EU)

Date/Manufacturer Signature/Location:

Würzburg, May 6, 2021



Identification of the signatory:

Korhan Canbolat, head of the company

Authorized representative for the technical documentation:

Korhan Canbolat

Office address:

Canbolat Vertriebs GmbH

Gneisenaustraße 10-11

D-97074 Würzburg

Return address can be found in the imprint: <https://www.arebos.de/impressum/>

VAT identification number: DE 263752326

Court of the Commercial Register is Würzburg, HRB 10082

WEEE Reg.-No. DE 61617071