

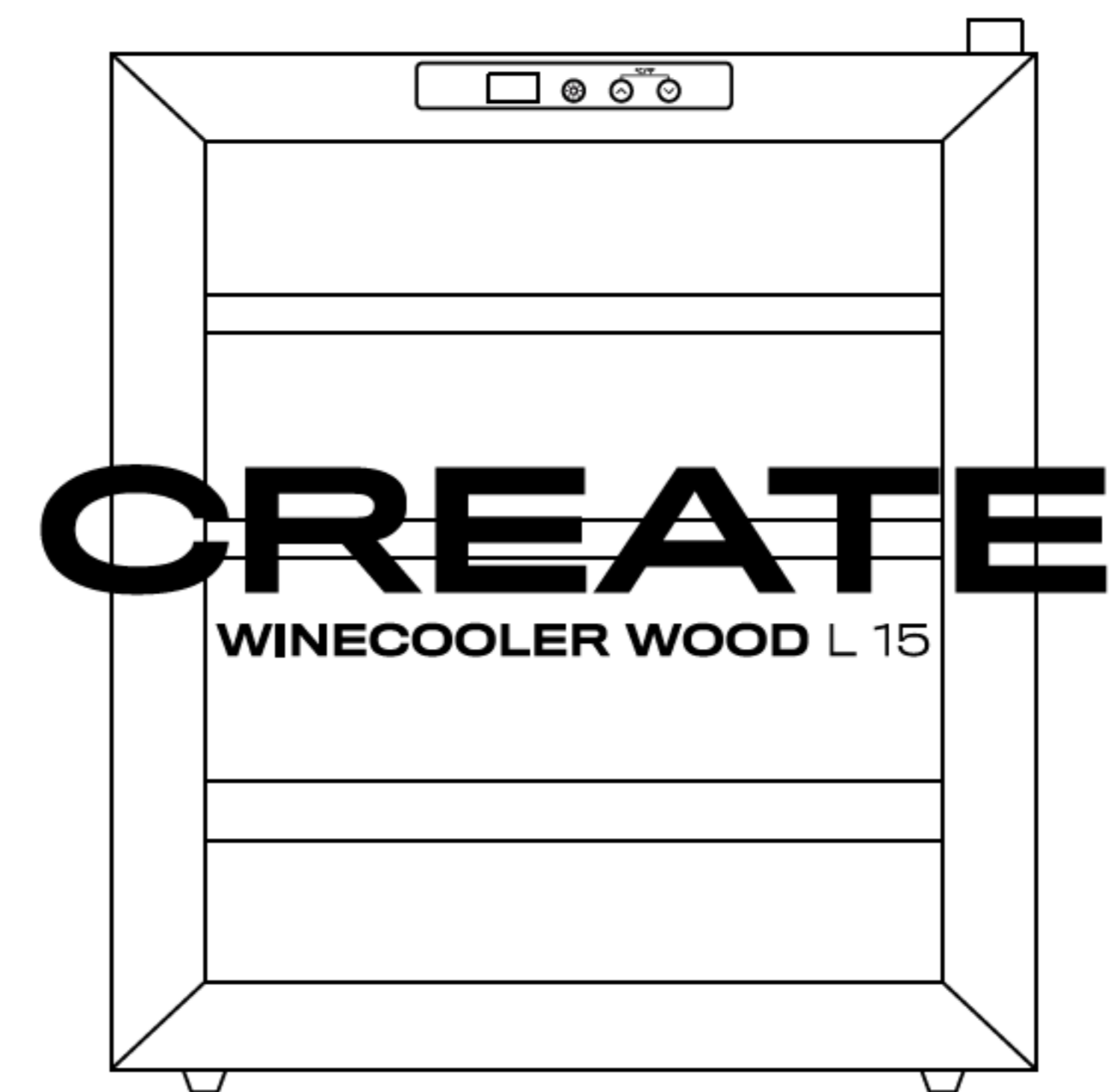
**ELECTRIC WINE COOLER FOR 15 BOTTLES**  
VINOTECA ELÉCTRICA PARA 15 BOTELLAS

**CREATE**

QTY	_____
NW	_____
GW	_____
MEAS	_____



DESIGNED IN EUROPE  
All brands, product names and logos are trademarks or registered trademarks of their respective companies. All rights reserved. Help minimize our waste by recycling.



**ELECTRIC WINE COOLER FOR 15 BOTTLES**  
VINOTECA ELÉCTRICA PARA 15 BOTELLAS

**CREATE**

QTY	_____
NW	_____
GW	_____
MEAS	_____



   **RoHS**  
WOODS & GO DESIGN SL - B98944986  
C/ Polígono 4, P18 - 46722 - Beniarjó (Valencia) Spain  
/ Made in P.R.C.

