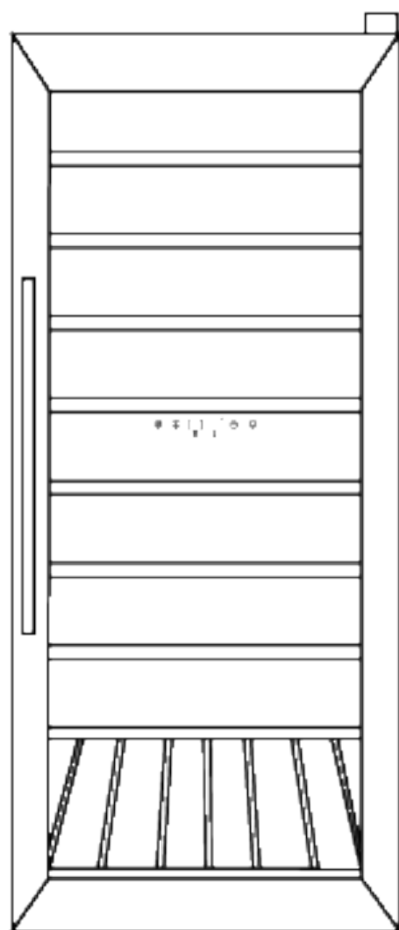


CREATE

WINECOOLER XXL



WINE COOLER VINOTECA

USER MANUAL

INDEX

ENGLISH

Security instructions	6
Parts list	7
Installation instructions	7
Operating your appliance	8
Control panel	8
How to use your wine cooler	8
Reversing the door swing	11
Cleaning and maintenance	11
Troubleshooting	12

PORTUGUÊS

Instruções de segurança	20
Lista de peças	21
Instruções de instalação	21
Instruções de uso	22
Painel de controle	22
Como usar a adega	22
Mudar a direção de abertura da porta	25
Limpeza e manutenção	25
Resolução de problemas	25

ESPAÑOL

Instrucciones de seguridad	13
Listado de partes	14
Instrucciones de instalación	14
Instrucciones de uso	15
Panel de control	15
Cómo utilizar su vinoteca	16
Cambiar la dirección de apertura de la puerta	16
Limpieza y mantenimiento	18
Resolución de problemas	19

FRANÇAIS

Instructions de sécurité	27
Liste des pièces	28
Instructions d'installation	28
Mode d'emploi	29
Panneau de commande	29
Comment utiliser votre cave à vin	30
Modifier la direction d'ouverture de la porte	32
Nettoyage et entretien	32
Résolution des problèmes	33

INDEX**ITALIANO**

Istruzioni di sicurezza	34
Elenco della parti	35
Istruzioni per l'installazione	35
Istruzioni per l'uso	36
Pannello di controllo	36
Come usare la cantina	36
Modificare la direzione di apertura della porta	39
Pulizia e manutenzione	39
Risoluzione dei problemi	40

NEDERLANDS

Beveiligingsinstructies	48
Onderdelen lijst	48
Installatie instructies	49
Gebruiksaanwijzing	60
Controlepaneel	50
Hoe uw wijnkoeler te gebruiken	60
Verander de openingsrichting van de deur	53
Schoonmaak en onderhoud	53
Probleem oplossing	54

DEUTSCH

Sicherheitshinweise	41
Liste der Einzelteile	42
Installationsanleitung	42
Gebrauchsanweisung	43
Betriebsfeld	43
Wie benutzen sie ihr Weinkühler	44
Ändern sie die Türöffnungsrichtung	46
Reinigung und Instandhaltung	46
Problemlösung	47

POLSKI

Instrukcja bezpieczeństwa	55
Liste części	56
Instrukcja instalacji	56
Instrukcja użycia	57
Panel sterowniczy	57
Jak korzystać z winiarki	58
Zmień kierunek otwarcia drzwi	60
Czyszczenie i konserwacja	60
Rozwiązywanie problemu	61

ENGLISH

Thank you for choosing our wine cooler. Before using the appliance, and to ensure the best use, carefully read these instructions.

The safety precautions enclosed herein reduce the risk of death, injury and electrical shock when correctly adhered to. Keep the manual in a safe place for future reference, along with the completed warranty card, purchase receipt and package. If applicable, pass these instructions on to the next owner of the appliance. Always follow basic safety precautions and accident-prevention measures when using an electrical appliance. We assume no liability for customer failing to comply with these requirements.

SECURITY INSTRUCTIONS

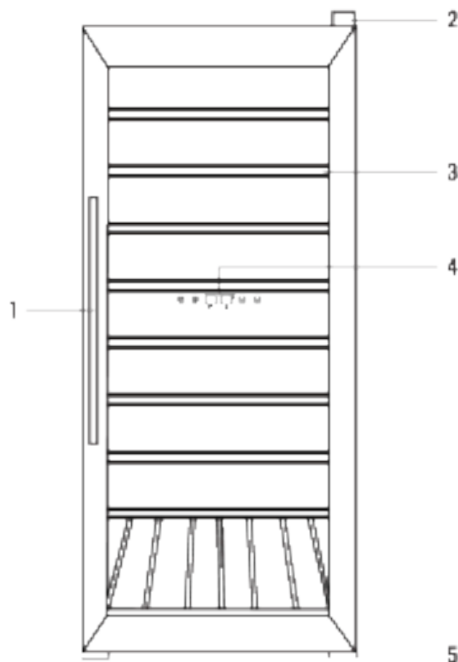
When using any electrical appliance, basic safety precautions should always be observed.

- **WARNING:** Risk of child entrapment. To avoid the possibility of child entrapment, please take the following precautions before throwing out the wine cooler.
- Remove all doors from the unit.
- Leave the shelves in place so that children may not easily climb inside.
- Never allow children to operate, play with, or crawl inside the wine cooler.
- Children should be supervised to ensure that they do not play with the appliance. Keep the mains cord out of the reach of children. Do not let the mains cord hang over the edge of the table or worktop on which the appliance stands.
- This appliance is not intended for use by persons (including children) with reduced physical, sensory or mental capabilities, or lack of experience and knowledge, unless they have been given supervision or instruction concerning use of the appliance by a person responsible for their safety.
- Do not use the appliance if the plug, the mains cord or the appliance itself is damaged. If the mains cord is damaged, you must have it replaced by the manufacturer, or an authorized service centre or similarly qualified persons in order to avoid a hazard.
- Refrigerants: All refrigeration products contain refrigerants, which under the guidelines of federal law must be removed before disposal of product. It is the consumer's responsibility to comply with federal and local regulations when disposing of this product. Never clean wine cooler parts with flammable fluids. The fumes can create a fire hazard or explosion.
- Do not store or use gasoline or any other flammable vapors and liquids in the vicinity of this or any other appliance. The fumes can create a fire hazard or an explosion.
- Improper use of the grounded plug can result in the risk of electrical shock. If the power cord is damaged, have it replaced by an authorized service center.
- This wine cooler should be properly grounded for your safety. The power cord of this wine cooler is equipped with a three-prong plug which mates with standard three prong wall outlets to minimize the possibility of electrical shock.
- Do not, under any circumstances, cut or remove the third ground prong from the power cord supplied. This wine cooler requires a standard 220-240 Volt, AC /50Hz electrical outlet with three-prong ground.
- This wine cooler is not designed to be used with an inverter.
- The cord should be secured behind the wine cooler and not left exposed or dangling to prevent accidental injury.
- Never unplug the wine cooler by pulling the power cord. Always grip the plug firmly and pull straight out from the receptacle.

- Do not use an extension cord with this appliance. If the power cord is too short, have a qualified electrician or service technician install an outlet near the appliance. Use of an extension cord can negatively affect the performance of the unit.
- If any problems with the wine cooler persist, please contact our Customer Service Dept. to consult with a representative.

PARTS LIST

1. Stainless steel handle
2. Hinge cover
3. Wood shelf
4. Electronic control panel
5. Foot



INSTALLATION INSTRUCTIONS

Before Using Your Wine Cooler

- Remove the exterior and interior packing.
- Before connecting the wine cooler to the power source, let it stand upright for approximately 4 hours. This will reduce the possibility of a malfunction in the cooling system from improper handling during transportation. Clean the interior surface with lukewarm water using a soft cloth.

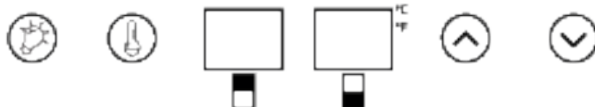
Installing Your Wine Cooler

- This wine cooler is designed to be free standing only, and should not be recessed or built-in.
- Allow 5 inches of space between the back and sides of the wine cooler, which allows the proper air ventilation. Adjust the feet to keep the wine cooler level. Locate the wine cooler away from direct sunlight and sources of heat (stove, heater, radiator, etc.). Direct sunlight may affect the acrylic coating and heat sources may increase electrical consumption. Ambient temperature below 5°C or above 32°C will hinder the performance of this appliance.
- Depending on the location of the appliance, the direction of the door opens can be changed.

- This unit is not designed for use in a garage or any other outside installation.
- Avoid locating the wine cooler in moist areas.
- Plug the wine cooler into dedicated, properly installed-grounded wall outlet. Do not under any circumstances cut or remove the third (ground) prong from the power cord. Any questions concerning power and/or grounding should be directed toward a certified electrician or an authorized service center.
- This unit is not designed to be installed in an RV or used with an inverter.
- After plugging the wine cooler into a wall outlet, turn the unit on and allow the unit to cool down for 3 ~ 4 hours under before placing wine bottles or beverages in the appliance.

OPERATING YOUR APPLIANCE

CONTROL PANEL



SELECT THE TEMPERATURE

- The unit has two temperature zones. For each zone, the temperature range can be set between 6 °C and 18 °C (40 °F and 65 °F).

IMPORTANT:

- The temperature selected for the lower compartment must always be higher than the top compartment. For optimum performance, the difference between the two zones should be maximum of 6 °C to avoid damage related to condensation.

THE WINE COOLER SHELVES

- The shelves are fully adjustable to suit various wine bottle shapes and sizes.
- To prevent damaging the door gasket, make sure the door is fully open when pulling shelves out of the rail compartment.
- For easy access to the bottles stored, pull the shelves out approximately 1/3. The shelves are designed with an emergency stop to prevent them being removed too far when loaded.

HOW TO USE YOUR WINE COOLER

Before switching on:

- Make sure that it has been installed by a suitably qualified person, as per the information contained in the installation instructions.
- After delivery, wait for four hours before connecting the appliance to your mains supply. This will allow any refrigerant gasses that may have been disturbed during the transportation process to settle.
- The outside of the appliance and the removable accessories contained within it, should be cleaned with a solution of liquid detergent and water.
- The interior of the appliance should be cleaned with a solution of sodium bicarbonate dissolved in lukewarm water.
- The interior and accessories should be thoroughly dried, after the cleaning process has been completed.
- There can be an odour when you first switch on the appliance. It will lessen as the appliance starts to cool.

During first use:

IMPORTANT: When you use the wine cooler for the first time or restart the appliance after it has been turned off for a long time, there could be a few degrees variance between the temperature you select and the one indicated on the LED display. This is normal and it is due to the length of activation time. Once the wine cooler has been running for a few hours everything will be back to normal.

- When you first switch on the appliance, the compressor will run continuously until the wine cooler reaches a cool enough temperature.
- During this period of time, you should try not to open the door frequently or place bottles inside of the appliance.
- If the unit is switched off or unplugged, you must allow at least 5 minutes before restarting the appliance or reconnecting it to your mains supply.

Switching on the appliance and setting the temperature

- Switching between Celsius and Fahrenheit: To alter what the temperature displays are showing, press the light button for 5 seconds.
- Switch on/turn off: To switch on the wine cooler, press the light and temperature buttons and hold 5 seconds. To turn off the appliance, press and hold the light and temperature buttons and hold 5 seconds.
- Temperature Setting: Press the temperature button to set the internal temperature of each zone. Temperatures in degrees will appear on every screen corresponding to distinct area for the top and the lower compartment.
- Note: When the temperature button is pressed for the first time, the LED displays indicates the factory preset temperature, 10 °C/50 °F for the upper and 16 °C/60 °F for the lower compartment.
- Press the temperature button once. The display for the upper compartment will flash. Press up and down buttons to increase/decrease the temperature.
- If you press again the temperature button, the display for the lower compartment will flash. Press up and down buttons to increase/decrease the temperature.
- When working with both upper and lower zone, setting temperature of upper zone must be lower than the lower zone as factory default setting.

Interior light

- The cooler has an interior light. The light can be switched on and off by using the light button.
- Note: To see the temperature of each zone at any time. Touch the up and down buttons, set temperature temporarily flash on the display for about 5 seconds. Use the "SET" to see the selected temperature zone or the other.
- **IMPORTANT:** When the temperature is changed, the compressor works harder to reach the required temperature. During this time, the side panels of the wine cooler can reach up to 45 °C however they will cool down when the set temperature is reached.

Loading the wine cooler:

IMPORTANT: Your appliance is ideally suited to store 0.75 litre Bordeaux style wine bottles. Whilst it can store larger bottles, you must make sure that they do not prevent the door from shutting properly.

- Always check that you can close the door without it fouling on a wine bottle, before shutting it.
- When loading several bottles of wine at once, it will take longer for the appliance to cool the individual bottles
- As many bottles may differ in size and dimensions, the actual number of bottles you are able to store may vary
- The maximum storage number is based on standard 0.75 litre Bordeaux style wine bottles.

Storing your wine:

- The chart below indicates the ideal storage temperatures for different types of wine:

Type of wine	Temperature (Celsius)	Temperature (Fahrenheit)
Red wine	12 - 18 °C	58 - 64 °F
White wine	8 - 12 °C	48 - 79 °F
Sparkling wines/champagne	4 - 8 °C	39 - 47 °F
Rose wine	8.5 - 10.5 °C	49.1 - 50.9 °F
Vintage wine	13 °C	55 °F

- Temperature stability is the most important factor when it comes to storing wine.
- Exposure to light, vibrations or fluctuations in temperature and humidity can all cause wine to spoil. When properly stored, wines not only maintain their quality but many will actually improve in aroma, flavour and complexity as they mature.
- Wines kept at a higher temperature will age faster. Wine that is exposed to temperatures that are greater than 18 °C (64 °F) will suffer from poorer flavour and aroma.
- If wine is kept at too low a temperature, this can result in the development of harmful deposits. A humidity of 60%-70% is ideal for keeping corks from shrinking.
- After a bottle of wine has been opened, the wine comes into contact with air. So it is best to store the remainder of the bottle upright, to minimize the surface area of the wine that is coming into contact with the air.
- Once opened, wine will remain in a drinkable condition for two days for delicate whites or three days for rich reds, as long as the bottle has been resealed. You should make sure that the seal is firm by checking the stopper.
- Special stoppers that keep wine sparkling and Champagne bubbling for one or two days after opening, can be bought at most good wine shops.
- When stored correctly, white wines can keep well for up to two years. Full bodied reds will age well for ten years and dessert wines will age well for up to twenty years.
- When you buy a bottle of wine, you should transfer it to a suitable storage location immediately (if you are not going to store it in your wine cooler).
- Cheaper bottles of wine will not age as well as more expensive ones.
- To make the most of the bouquet and taste of your wine, never fill more than half a glass at a time. It will also help if the shape of your wine glass is appropriate for your wine. The size and shape of your wine glass's bowl will determine the intensity and complexity of the bouquet. The stem should be long enough to allow you to avoid hand contact with the bowl of the glass and should be tulip-shaped or tapered at the top.

REVERSING THE DOOR SWING

This unit has the capability of either opening the door from the left or right side. The unit is delivered to you with the door opening from the left side. Should you desire to reverse the opening direction, please follow these instructions:

Note: Before reversing the door, the power must be shut off. All parts removed must be saved to the reinstallation of the door. This unit has been built with the door hinges on the right. If you wish to change the opening direction, follow the instructions below:

1. Remove the upper hinge cover first.
2. Remove the three screws that hold the upper hinge (right side) to the frame. Take away the upper hinge (right side).
3. Lift the door and place it on a padded surface to prevent scratching it.
4. Remove the three screws that hold the lower hinge and make sure to remove the hinge.
5. Remove the left front leg and transfer it to the right side.
6. Remove the hole cover plate to the right side.
7. Before placing this lower hinge, remove the bolt in it and reverse the direction of the lower hinge. Then install the lower hinge onto the left side of the lower frame with two screws.
8. Insert the bolt into the lower hinge.
9. Set the door to its place making sure the door seats on the lower hinge.
10. While holding the door in the closed position secure the upper hinge in the top frame of left side with three screws. Please remember to not tighten the three screws until the top of the door is leveled with the counter top.
11. Install the upper hinge cover.

CLEANING AND MAINTENANCE

- Upon installation of your new appliance, it is recommended that it be cleaned thoroughly.
- Turn off the wine cooler first and then unplug the unit from the wall outlet.
- Remove all contents.
- Wash the inside with a damp warm cloth soaked in lukewarm water and baking soda solution.
- The solution should be about 2 tablespoons of baking soda to a quart of water.
- Be sure to keep the door gasket (seal) clean to keep the unit running efficiently.
- The outside of the wine cooler should be cleaned with mild detergent and warm water.
- Dry the interior and exterior with a soft cloth.
- Dust or anything else blocking the vent may hinder the cooling efficiency of the appliance. Vacuum the vent if necessary.
- Turn off the wine cooler first and then unplug the unit from the wall outlet when it is not going to be used for a long period of time.
- Remove all the contents.
- Clean the appliance.
- Leave the lid open slightly to avoid possible formation of condensation, mold, or odors.
- Short vacations: Leave the wine cooler operating during vacations of less than three weeks.

- Long vacations: If the wine cooler will not be used for several months, remove all content and unplug the power cord. Clean and dry the interior thoroughly. To prevent odor and mold growth, leave the door open slightly: blocking it open if necessary.
- Moving Your Appliance: Turn off the wine cooler first and then unplug the unit from the wall outlet.
- Remove all the contents.
- Securely tape down all loose items inside your appliance.
- Tape the doors shut.

Energy Saving Tips:

- The wine cooler should be located in the coolest area of the room, away from heat producing appliances or heating ducts, and out of the direct sunlight.
- Ensure that door is properly closed when the wine cooler is turned on.

TROUBLESHOOTING

PROBLEM	POSSIBLE CAUSE AND SOLUTIONS
The wine cooler does not work.	Not connected. The circuit-breaker is tripped or the fuse is damaged. Temperature control is set too warm. Turn the control to a cooler setting and allow several hours for the temperature to stabilize. Door is kept open too long or is opened too frequently. Warm air enters the wine cooler every time the door is opened. Open the door less often.
Temperature inside the wine cooler is too warm.	The door is not closed completely. The door gasket does not seal properly. The wine cooler has recently been disconnected for a period of time. 4 hours are required for the wine cooler to cool down completely.
Temperature inside the wine cooler is too cold.	Temperature control is set too cold. Turn the control to a warmer setting and allow several hours for the temperature to stabilize. Door is slightly open.
Moisture forms on inside wine cooler walls.	Door is kept open too long, or is opened too frequently. Open the door less often. The door is not sealed properly.
Moisture forms on outside of appliance.	Check to make sure the wine cooler is level.
The wine cooler seems to be making too much noise.	Door is slightly open, causing cold air from inside the wine cooler to meet warm moist air from outside.
The door does not close properly.	The wine cooler is not on a level surface. The gasket is dirty.



In compliance with Directives 2012/19/EU and 2015/853/EU on the restriction of the use of dangerous substances in electric and electronic equipment as well as their waste disposal. The symbol with the crossed double arrow on the package indicates that the product at the end of its service life should be collected as separate waste. Therefore, any products that have reached the end of their useful life must be given to waste disposal centres specialising in separate collection of waste electrical and electronic equipment, or given back to the retailer at the time of purchasing new similar equipment on a one-for-one basis. The adequate separate collection for the subsequent start-up of the equipment seen to be recycled, treated and disposed of in an environmentally compatible way contributes to preventing possible negative effects on the environment and health and optimises the recycling and reuse of components making up the appliance. Appropriate disposal of the product by the user involves application of the administrative sanctions according to the laws.

Gracias por elegir nuestra vinoteca. Antes de utilizar este electrodoméstico y para asegurar su mejor uso, por favor, lea detenidamente las instrucciones.

Las medidas de seguridad aquí indicadas reducen el riesgo de incendio, descarga eléctrica y lesiones cuando se siguen correctamente. Guarde el manual en un lugar seguro para futuras referencias, así como la garantía, el recibo de compra y la caja. Si procede, entregue estas instrucciones al futuro propietario del electrodoméstico. Siempre siga las instrucciones básicas de seguridad y las medidas de prevención de riesgos cuando utilice un electrodoméstico eléctrico. El fabricante no se responsabilizará de ningún daño derivado del incumplimiento de estas instrucciones por parte del usuario.

INSTRUCCIONES DE SEGURIDAD

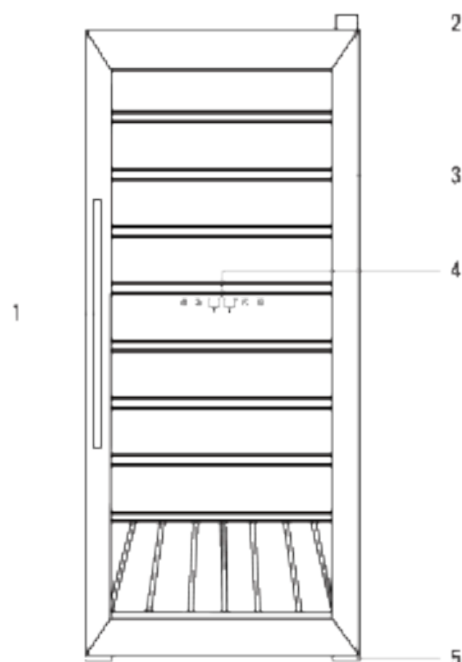
Al usar cualquier aparato eléctrico, siempre se deben observar precauciones básicas de seguridad.

- **ADVERTENCIA:** No permita que los niños pequeños jueguen con la vinoteca ya que podrían quedar atrapados.
- Para evitar la posibilidad de que un niño quede atrapado, tome las siguientes precauciones antes de tirar la vinoteca.
- Retire todas las puertas de la unidad.
- Deje los estantes en su lugar para que los niños no puedan subir fácilmente.
- Nunca permita que los niños utilicen, jueguen o gateen dentro de la vinoteca.
- Se debe supervisar a los niños para asegurarse de que no jueguen con el aparato. Mantenga el cable de alimentación fuera del alcance de los niños. No permita que el cable de alimentación cuelgue del borde de la mesa o la encimera sobre la que se encuentra el aparato.
- Este electrodoméstico no está diseñado para ser utilizado por personas (incluidos niños) con capacidades físicas, sensoriales o mentales reducidas, o con falta de experiencia y conocimiento, a menos que hayan recibido supervisión o instrucciones sobre el uso del electrodoméstico por parte de una persona responsable de su seguridad.
- No utilice el aparato si el enchufe, el cable de alimentación o el propio aparato están dañados. Si el cable de alimentación está dañado, debe reemplazarlo el fabricante, un centro de servicio autorizado o personas calificadas de manera similar para evitar riesgos.
- **Refrigerantes:** Todos los productos de refrigeración contienen refrigerantes, que según las pautas legales deben eliminarse antes de desechar el producto. Es responsabilidad del consumidor cumplir con las reglamentaciones locales al desechar este producto. Nunca limpie las partes de la vinoteca con líquidos inflamables. Los humos pueden crear un peligro de incendio o explosión.
- No almacene ni use gasolina u otros vapores y líquidos inflamables cerca de este o cualquier otro electrodoméstico. Los humos pueden crear un peligro de incendio o una explosión.
- El uso incorrecto del enchufe con conexión a tierra puede provocar un riesgo de descarga eléctrica. Si el cable de alimentación está dañado, haga que lo reemplace un centro de servicio autorizado.
- Esta vinoteca debe estar debidamente conectada a tierra para su seguridad. El cable de alimentación de esta vinoteca está equipado con un enchufe de tres clavijas que se acopla con las tomas de corriente estándar de tres clavijas para minimizar la posibilidad de descarga eléctrica.
- Bajo ninguna circunstancia corte ni quite la tercera punta de tierra del cable de alimentación suministrado. Este enfriador de vino requiere un estándar de 220 - 240 voltios. Tornacorriente de CA / 50Hz con conexión a tierra de tres terminales.

- Esta vinoteca no está diseñada para usarse con un inversor.
- El cable debe estar asegurado detrás de la vinoteca y no quedar expuesto o colgado para evitar lesiones accidentales.
- Nunca desenchufe la vinoteca tirando del cable de alimentación. Sujete siempre el enchufe con firmeza y tire directamente del receptáculo.
- No use un cable de extensión con este aparato. Si el cable de alimentación es demasiado corto, haga que un electricista calificado o un técnico de servicio instale una toma de corriente cerca del electrodoméstico. El uso de un cable de extensión puede afectar negativamente el rendimiento de la unidad.
- Si persiste algún problema con la vinoteca, comuníquese con nuestro Departamento de Servicio al Cliente para consultar con un representante.

LISTADO DE PARTES

1. Tirador de acero inoxidable
2. Tapa de la bisagra
3. Estanterías de madera
4. Panel de control digital
5. Patas



INSTRUCCIONES DE INSTALACIÓN

Antes de usar su vinoteca

- Retire el embalaje exterior e interior.
- Antes de conectar la vinoteca a la fuente de alimentación, déjela en posición vertical durante aproximadamente 4 horas. Esto reducirá la posibilidad de un mal funcionamiento en el sistema de enfriamiento debido a un manejo inadecuado durante el transporte. Limpie la superficie interior con agua tibia y con un paño suave.

Instalación de la vinoteca

- Este enfriador de vino está diseñado para ser independiente y no debe estar empotrado.

- Deje 12 cm de espacio aproximadamente entre la parte posterior y los lados de la vinoteca, lo que permitirá la ventilación de aire adecuada. Ajuste las patas para mantener el nivel del vino en la posición más adecuada. Ubique la vinoteca lejos de la luz solar directa y de fuentes de calor (estufa, calentador, radiador, etc.). La luz solar directa puede afectar el recubrimiento acrílico y las fuentes de calor pueden aumentar el consumo eléctrico. La temperatura ambiente por debajo de 5 °C o por encima de 32 °C dificultará el rendimiento de este aparato.
- Dependiendo de la ubicación del aparato, se puede cambiar la dirección de apertura de la puerta.
- Esta unidad no está diseñada para su uso en un garaje o cualquier otra instalación exterior.
- Evite ubicar el enfriador de vino en áreas húmedas.
- Conecte la vinoteca a un tomacorriente de pared, debidamente instalado y conectado a tierra. Bajo ninguna circunstancia corte ni retire el tercer cable (tierra) del cable de alimentación. Cualquier pregunta relacionada con la alimentación y / o la conexión a tierra debe dirigirse a un electricista certificado o a un centro de servicio autorizado.
- Esta unidad no está diseñada para instalarse en una caravana o usarse con un inversor.
- Después de enchufar la vinoteca en una toma de corriente de pared, encienda la unidad y deje que se enfríe durante 3 o 4 horas antes de colocar botellas de vino o bebidas en el aparato.

INSTRUCCIONES DE USO

PANEL DE CONTROL



SELECCIONE LA TEMPERATURA

- La unidad tiene dos zonas de temperatura. El rango de temperatura se puede establecer entre 5 °C y 18 °C (40 °F y 65 °F).

IMPORTANTE:

- La temperatura seleccionada para el compartimento inferior siempre debe ser mayor a la del compartimento superior. Para un rendimiento óptimo, la diferencia entre las dos zonas debe ser máxima de 6 °C para evitar daños por efecto de la condensación.

LOS ESTANTES DE LA VINOTECA

- Los estantes son totalmente ajustables para adaptarse a diversas formas y tamaños de botellas de vino.
- Para evitar dañar la junta de la puerta, asegúrese de que la puerta esté completamente abierta al sacar los estantes del compartimento del riel.
- Para acceder fácilmente a las botellas almacenadas, extraiga los estantes aproximadamente 1/3. Los estantes están diseñados con una parada de emergencia para evitar que se retiren demasiado cuando están cargados.

Antes de encenderla:

- Asegúrese de que haya sido instalado por una persona debidamente cualificada, según la información contenida en las instrucciones de instalación.
- Después de la entrega, espere cuatro horas antes de conectar el aparato a la red eléctrica. Esto permitirá que se depositen los gases refrigerantes que puedan haberse alterado durante el proceso de transporte.
- El exterior del aparato y los accesorios extraíbles contenidos en él deben limpiarse con una solución de detergente líquido y agua.
- El interior del aparato debe limpiarse con una solución de bicarbonato de sodio disuelto en agua tibia.
- El interior y los accesorios deben secarse completamente, una vez que se haya completado el proceso de limpieza.
- Puede desprenderse un olor peculiar cuando encienda el aparato por primera vez. Disminuirá a medida que el aparato comience a enfriarse.

Durante el primer uso:

IMPORTANTE: Cuando usa la vinoteca por primera vez o reinicia el electrodoméstico después de haberlo apagado por un tiempo prolongado, puede haber una variación de algunos grados entre la temperatura que selecciona y la indicada en la pantalla LED. Esto es normal y se debe a la duración del tiempo de activación. Una vez que la vinoteca haya estado funcionando durante unas horas, todo volverá a la normalidad.

- Cuando encienda el aparato por primera vez, el compresor funcionará continuamente hasta que la vinoteca alcance una temperatura lo suficientemente fría.
- Durante este período de tiempo, debe intentar no abrir la puerta con frecuencia ni colocar botellas dentro del aparato.
- Si la unidad está apagada o desenchufada, debe esperar al menos 5 minutos antes de reiniciar el aparato o volver a conectarlo a la red eléctrica.

Encender el aparato y ajustar la temperatura

- Alternar entre grados Celsius y Fahrenheit: Para alterar lo que muestran las pantallas de temperatura, presione el botón de luz durante 5 segundos.
- Encender / apagar: Para encender o apagar la vinoteca, presione los botones de luz y temperatura y mantenga presionado 5 segundos.
- Configuración de temperatura: Presione el botón de temperatura para establecer la temperatura interna de cada zona. Las temperaturas en grados aparecerán en cada pantalla correspondiente a un área distinta para el compartimento superior e inferior.
- Nota: Cuando se presiona el botón de temperatura por primera vez, las pantallas LED indican la temperatura preestablecida de fábrica, 10 °C / 50 °F para el compartimento superior y 16 °C / 60 °F para el compartimento inferior.
- Presione el botón de temperatura una vez. La pantalla del compartimento superior parpadeará. Presione los botones arriba y abajo para aumentar / disminuir la temperatura.
- Si presiona nuevamente el botón de temperatura, la pantalla del compartimento inferior parpadeará. Presione los botones arriba y abajo para aumentar / disminuir la temperatura.
- Cuando se trabaja con las zonas superior e inferior, la temperatura de configuración de la zona superior debe ser más alta a la zona inferior como la configuración predeterminada de fábrica.

Luz interior

- La vinoteca tiene una luz interior. La luz se puede encender y apagar usando el botón de luz.
- Nota: Para ver la temperatura de cada zona en cualquier momento toque los botones arriba y abajo, ajuste la temperatura temporalmente en la pantalla durante aproximadamente 5 segundos. Use el botón "SET" para ver una zona de temperatura u otra.

- **IMPORTANTE:** Cuando se cambia la temperatura, el compresor trabaja más para alcanzar la temperatura requerida. Durante este tiempo, los paneles laterales del enfriador de vino pueden alcanzar hasta 45 °C, sin embargo, se enfriarán cuando se alcance la temperatura establecida.

Carga de la vinoteca

- **IMPORTANTE:** La vinoteca es ideal para almacenar botellas de vino estilo Burdeos de 0,75 litros. Si bien puede almacenar botellas más grandes, debe asegurarse de que no impidan que la puerta se cierre correctamente.
- Siempre verifique que pueda cerrar la puerta sin golpear una botella de vino.
- Cuando cargue varias botellas de vino a la vez, el aparato tardará más en enfriar las botellas individuales.
- Como muchas botellas pueden diferir en tamaño y dimensiones, la cantidad real de botellas que puede almacenar puede variar.
- El número máximo de almacenamiento se basa en botellas de vino estándar de 0,75 litros.

Almacenamiento del vino:

- La tabla a continuación indica las temperaturas de almacenamiento ideales para diferentes tipos de vino:

Tipo de vino	Temperatura (Celsius)	Temperatura (Fahrenheit)
Vino tinto	12 - 18 °C	58 - 64 °F
Vino blanco	5 - 12 °C	48 - 79 °F
Vino espumoso / Cava	4 - 8 °C	39 - 47 °F
Vino rosado	8.5 - 10.5 °C	48.1 - 50.9 °F
Vino añejo	13 °C	55 °F

- La estabilidad de la temperatura es el factor más importante cuando se trata de almacenar vino.
- La exposición a la luz, las vibraciones o las fluctuaciones de temperatura y humedad pueden hacer que el vino se eche a perder. Cuando se almacenan adecuadamente, los vinos no solo mantienen su calidad, sino que muchos mejorarán en aroma, sabor y complejidad a medida que maduran.
- Los vinos mantenidos a una temperatura más alta envejecerán más rápido. El vino que está expuesto a temperaturas superiores a 18 °C (64 °F) sufrirá un sabor y aroma más pobres.
- Si el vino se mantiene a una temperatura demasiado baja, puede provocar el desarrollo de depósitos nocivos. Una humedad del 60 % - 70 % es ideal para evitar que los corchos se encojan.
- Después de abrir una botella de vino, el vino entra en contacto con el aire. Por lo tanto, es mejor almacenar el resto de la botella en posición vertical, para minimizar el área de superficie del vino que entra en contacto con el aire.
- Una vez abierto, el vino permanecerá en condiciones óptimas para su consumo durante dos días para los blancos delicados o tres días para los tintos ricos, siempre que la botella se haya cerrado nuevamente. Debe asegurarse de que el sello esté firme comprobando el tapón.
- Se pueden comprar tapones especiales que mantienen el vino espumoso y el champán burbujeante durante uno o dos días después de la apertura en la mayoría de las tiendas de vinos especializadas.
- Cuando se almacenan correctamente, los vinos blancos pueden mantenerse bien hasta por dos años. Los tintos con cuerpo envejecerán bien durante diez años y los vinos de postre envejecerán bien hasta veinte años.
- Cuando compre una botella de vino, debe transferirla a un lugar de almacenamiento adecuado de inmediato (si no va a almacenarla en su enfriador de vino).
- Las botellas de vino más baratas no envejecerán tan bien como las más caras.

- Para aprovechar al máximo el aroma y el sabor de su vino, nunca llene más de medio vaso a la vez. También ayudará si la forma de su copa de vino es apropiada para su vino. El tamaño y la forma del recipiente de su copa de vino determinarán la intensidad y la complejidad del caldo. El tallo debe ser lo suficientemente largo como para evitar el contacto de las manos con el recipiente del vaso y debe tener forma de tulpán o cónico en la parte superior.

CAMBIAR LA DIRECCIÓN DE APERTURA DE LA PUERTA

- Esta unidad tiene la capacidad de abrir la puerta desde el lado izquierdo o el derecho. La unidad se entrega con la puerta abierta desde el lado izquierdo. Si desea cambiar la dirección de apertura, siga estas instrucciones:
 - **Nota:** Antes de invertir el lado de apertura de la puerta, la vinoteca debe estar apagada. Todas las piezas extraídas deben guardarse para la reinstalación de la puerta.
1. Retire primero la cubierta de la bisagra superior.
 2. Retire los tres tornillos que sujetan la bisagra superior, en el lado derecho, al marco y retire la bisagra.
 3. Levante la puerta y colóquela sobre una superficie acolchada para evitar rayarla.
 4. Retire los tres tornillos que sujetan la bisagra inferior y retire la bisagra.
 5. Retire la pata delantera izquierda y cámbiela al lado derecho.
 6. Retire la placa de la cubierta del orificio del lado derecho para colocarla en el izquierdo.
 7. Antes de colocar esta bisagra inferior, retire el perno e invierta la dirección de la bisagra. Luego instale la bisagra en el lado izquierdo del marco inferior con dos tornillos.
 8. Inserte el perno en la bisagra inferior.
 9. Coloque la puerta en su lugar asegurándose de que el asiento de la puerta esté sobre la bisagra inferior.
 10. Mientras coloca la puerta en posición cerrada, asegure la bisagra superior en el marco del lado izquierdo con tres tornillos. Recuerde que no debe apretar los tres tornillos hasta que la parte superior de la puerta esté nivelada con la cubierta del cuerpo exterior de la vinoteca.
 11. Finalmente, instale la cubierta de la bisagra superior.

LIMPIEZA Y MANTENIMIENTO

- Tras la instalación de su nuevo electrodoméstico, se recomienda que se limpie a fondo.
- Primero apague la vinoteca y luego desconecte la unidad de la toma de corriente.
- Elimine todo el contenido.
- Lave el interior con un paño húmedo y tibio empapado en agua tibia y una solución de bicarbonato de sodio.
- La solución debe ser de aproximadamente 2 cucharadas de bicarbonato de sodio por cada litro de agua.
- Asegúrese de mantener limpia la junta de la puerta (sello) para que la unidad funcione de manera eficiente.
- El exterior de la vinoteca debe limpiarse con detergente suave y agua tibia.
- Seque el interior y el exterior con un paño suave.
- El polvo o cualquier otra cosa que bloquee la ventilación puede dificultar la eficiencia de enfriamiento del aparato. Aspire la ventilación si es necesario.
- Primero, apague la vinoteca y luego desenchufe la unidad de la toma de corriente cuando no vaya a utilizarla durante un período prolongado.
- Elimine todo el contenido.
- Limpie el aparato.
- Deje la puerta ligeramente abierta para evitar la posible formación de condensación, moho u olores.

- Vacaciones cortas: Deje la vinoteca en funcionamiento durante las vacaciones de menos de tres semanas.
- Vacaciones largas: Si la vinoteca no se va a utilizar durante varios meses, retire todo el contenido y desconecte el cable de alimentación. Limpie y seque el interior a fondo. Para evitar el olor y el crecimiento de moho, deje la puerta ligeramente abierta y bloquéela si es necesario.
- Traslado de su electrodoméstico: Apague primero la vinoteca y luego desconecte la unidad de la toma de corriente.
- Elimine todo el contenido.
- Asegure con cinta adhesiva todos los artículos sueltos dentro de su electrodoméstico.
- Tape las puertas cerradas.
- **Consejos para ahorrar energía:**
- La vinoteca debe ubicarse en el área más fresca de la habitación, lejos de aparatos que produzcan calor o conductos de calefacción, y fuera del alcance de la luz solar directa.
- Asegúrese de que la puerta esté bien cerrada cuando la vinoteca esté encendida.

RESOLUCIÓN DE PROBLEMAS

PROBLEMA	POSIBLE CAUSA Y SOLUCIONES
La vinoteca no funciona.	No está conectada. El interruptor automático se ha disparado o el fusible está dañado.
La temperatura interior es demasiado alta.	El control de temperatura está configurado demasiado caliente. Cámbielo a una configuración más fría y espere varias horas para que la temperatura se estabilice. La puerta se mantiene abierta demasiado tiempo o se abre con demasiada frecuencia. El aire caliente ingresa al enfriador de vino cada vez que se abre la puerta. Abra la puerta con menos frecuencia. La puerta no está completamente cerrada. La junta de la puerta no se sella correctamente. La vinoteca se ha desconectado recientemente durante un tiempo. Se requiere 4 horas para que la vinoteca se enfríe por completo.
La temperatura interior es demasiado baja.	El control de temperatura está configurado demasiado frío. Cámbielo a una configuración más cálida y espere varias horas para que la temperatura se estabilice.
Hay condensación en las paredes interiores de la vinoteca.	La puerta está ligeramente abierta. La puerta se mantiene abierta demasiado tiempo o se abre con demasiada frecuencia. Abra la puerta con menos frecuencia. La puerta no está sellada correctamente.
Hay condensación en las paredes exteriores de la vinoteca.	Asegúrese de que la vinoteca está sobre una superficie nivelada.
Parece que la vinoteca hace demasiado ruido.	La puerta está ligeramente abierta, lo que hace que el aire frío del interior de la vinoteca se encuentre con el aire cálido y húmedo del exterior.
La puerta no cierra adecuadamente.	La vinoteca no está en una superficie nivelada. La junta está sucia.



En cumplimiento de las directivas 2002/96 / UE y 2003/180 / UE sobre la reducción del uso de sustancias peligrosas en equipos eléctricos y electrónicos, así como su eliminación de residuos. El símbolo con el dibujo de basura cruzado que se muestra en el paquete indica que el producto al final de su vida útil se recogerá como residuo separado. Por lo tanto, cualquier producto que haya llegado al final de su vida útil debe entregarse a centros de eliminación de residuos especializados en la recogida selectiva de equipos eléctricos y electrónicos de desecho, o devolverse al minorista al momento de comprar equipo nuevo similar, en uno para una base. La recolección separada adecuada para el posterior puesta en marcha de los equipos enviados para ser reciclados, tratados y eliminados de un manera compatible con el medio ambiente contribuya a prevenir posibles efectos negativos sobre el medio ambiente y la salud y optimar el reciclaje y la reutilización de los componentes que componen el aparato. La eliminación abusiva del producto por parte del usuario implica la aplicación de las sanciones administrativas de acuerdo con las leyes.

PORTUGUÊS

Obrigado por escolher a nossa adega. Antes de usar este aparelho e para garantir seu melhor uso, leia atentamente as instruções.

As medidas de segurança indicadas aqui reduzem o risco de incêndio, choque elétrico e ferimentos quando seguidas corretamente. Mantenha o manual em um local seguro para referência futura, bem como a garantia, o recibo de compra e a caixa. Se aplicável, dê essas instruções ao futuro proprietário do dispositivo. Sempre siga as instruções básicas de segurança e medidas de prevenção de riscos ao usar um aparelho elétrico. O fabricante não será responsável por nenhum dano resultante da violação destas instruções pelo usuário.

INSTRUÇÕES DE SEGURANÇA

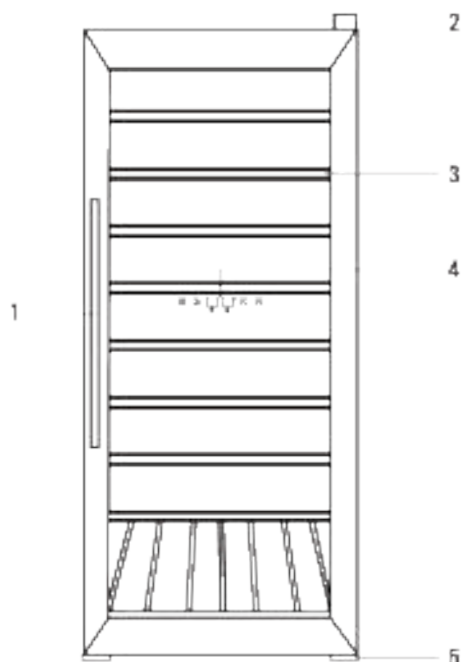
Ao usar qualquer aparelho elétrico, sempre devem ser observadas as precauções básicas de segurança.

- **AVISO:** Não permita que crianças pequenas brinquem com o refrigerador de vinho, pois podem ser pegos.
- Para evitar a possibilidade de uma criança ficar presa, tome as seguintes precauções antes de jogar fora o refrigerador de vinho.
- Remova todas as portas da unidade.
- Deixe as prateleiras no lugar para que as crianças não possam subir facilmente.
- Nunca permita que as crianças usem, brinquem ou rastejem dentro da adega.
- As crianças devem ser supervisionadas para garantir que não brinquem com o aparelho. Mantenha o cabo de alimentação fora do alcance de crianças. Não permita que o cabo de alimentação fique pendurado na borda da mesa ou no balcão em que o aparelho está ligado.
- Este aparelho não se destina ao uso por pessoas (incluindo crianças) com habilidades físicas, sensoriais ou mentais reduzidas ou com falta de experiência e conhecimento, a menos que tenham recebido supervisão ou instruções sobre o uso do aparelho por uma pessoa responsável da sua segurança.
- Não use o aparelho se o plugue, o cabo de alimentação ou o próprio aparelho estiverem danificados. Se o cabo de alimentação estiver danificado, ele deve ser substituído pelo fabricante, por um centro de serviço autorizado ou por pessoas qualificadas da mesma forma para evitar riscos.
- Refrigerantes: Todos os produtos de refrigeração contêm refrigerantes que, de acordo com as diretrizes legais, devem ser removidos antes do descarte do produto. É de responsabilidade do consumidor cumprir os regulamentos locais ao descartar este produto. Nunca limpe as partes da adega com líquidos inflamáveis. Os vapores podem criar risco de incêndio ou explosão.
- Não armazene ou use gasolina ou outros vapores e líquidos inflamáveis nas proximidades deste ou de qualquer outro aparelho. Os vapores podem criar risco de incêndio ou explosão.
- O uso inadequado do plugue aterrado pode resultar em risco de choque elétrico. Se o cabo de alimentação estiver danificado, substitua-o por um centro de serviço autorizado.
- Este refrigerador de vinho deve estar devidamente aterrado para sua segurança. O cabo de força deste refrigerador de vinho é equipado com um plugue de três pinos que se conecta a tomadas de três pinos padrão para minimizar a possibilidade de choque elétrico.
- Sob nenhuma circunstância, corte ou remova o terceiro pino de aterramento do cabo de alimentação fornecido. Este refrigerador de vinho requer um padrão de 220 – 240 volts. Tomada aterrada de três pinos AC / 50Hz.

- Este refrigerador de vinho não foi projetado para uso com um inversor.
- O cabo deve ser preso atrás da adega e não exposto ou pendurado para evitar ferimentos acidentais.
- Nunca desconecte a adega puxando pelo cabo de alimentação. Sempre segure o plugue firmemente e puxe diretamente o receptáculo.
- Não use um cabo de extensão com este aparelho. Se o cabo de alimentação for muito curto, solicite a um electricista ou técnico de serviço qualificado que instale uma tomada perto do aparelho. O uso de um cabo de extensão pode afetar adversamente o desempenho da unidade.
- Se um problema com a adega persistir, entre em contato com o departamento de atendimento ao cliente para obter um representante.

LISTA DE PEÇAS

1. Cabo de aço inoxidável
2. Tampa da dobradiça
3. Prateleiras de madeira
4. Painel de controle digital
5. Pernas



INSTRUÇÕES DE INSTALAÇÃO

Antes de usar sua adega

- Remova a embalagem externa e interna.
- Antes de conectar o refrigerador de vinho à fonte de alimentação, deixe-o na posição vertical por cerca de 4 horas. Isso reduzirá a possibilidade de um mau funcionamento no sistema de refrigeração devido ao manuseio inadequado durante o transporte. Limpe a superfície interna com água morna e um pano macio.

Instalação da sua adega

- Este refrigerador de vinho foi projetado para ser autônomo e não deve ser embutido ou embutido.

- Deixe 12 cm de espaço entre a parte traseira e as laterais do refrigerador de vinho, permitindo ventilação adequada. Ajuste os pés para manter o nível do vinho mais frio. Localize a adega longe da luz solar direta e de fontes de calor (fogão, aquecedor, radiador, etc.). A luz solar direta pode afetar o revestimento acrílico e as fontes de calor podem aumentar o consumo elétrico. Temperaturas ambiente abaixo de 5 ° C ou acima de 32 ° C prejudicarão o desempenho deste aparelho.
- Dependendo da localização do aparelho, a direção da porta aberta pode ser alterada.
- Esta unidade não foi projetada para uso em uma garagem ou em qualquer outra instalação externa.
- Evite localizar o refrigerador de vinho em áreas molhadas.
- Conecte o refrigerador de vinho a uma tomada aterrada dedicada, instalada corretamente. Sob nenhuma circunstância, corte ou remova a terceira ponta (terra) do cabo de alimentação. Qualquer dúvida sobre energia e / ou aterramento deve ser direcionada a um eletricitista certificado ou centro de serviço autorizado.
- Esta unidade não foi projetada para ser instalada em um RV ou usada com um inversor.
- Depois de conectar o refrigerador de vinho a uma tomada, ligue a unidade e deixe esfriar por 3 a 4 horas antes de colocar garrafas de vinho ou bebidas no aparelho.

INSTRUÇÕES DE USO

PAINEL DE CONTROLE



SELECIONE A TEMPERATURA

- A unidade possui duas zonas de temperatura. Para cada zona, a faixa de temperatura pode ser definida entre 5 °C e 18 °C (40 °F e 65 °F).

IMPORTANTE:

- A temperatura selecionada para o compartimento inferior deve sempre ser maior que a do compartimento superior. Para desempenho ideal, a diferença entre as duas zonas deve ser de no máximo 6 °C para evitar danos por condensação.

AS PRATELEIRAS DA ADEGA

- As prateleiras são totalmente ajustáveis para caber em várias formas e tamanhos de garrafas de vinho.
- Para evitar danificar a junta da porta, verifique se a porta está totalmente aberta ao remover as prateleiras do compartimento de trilhos.
- Para facilitar o acesso às garrafas armazenadas, puxe as prateleiras cerca de 1/3. As prateleiras são projetadas com uma parada de emergência para impedir que elas se afastem demais quando carregadas.

COMO USAR A ADEGA

Antes de ligá-lo:

- Verifique se ele foi instalado por uma pessoa adequadamente qualificada, de acordo com as informações nas instruções de instalação.
- Após o parto, aguarde quatro horas antes de conectar o aparelho à rede elétrica. Isso permitirá que os gases refrigerantes que possam ter sido alterados durante o processo de transporte se assentem.

- O exterior do aparelho e os acessórios removíveis nele contidos devem ser limpos com uma solução de detergente líquido e água.
- O interior do aparelho deve ser limpo com uma solução de bicarbonato de sódio dissolvido em água morna.
- O interior e os acessórios devem ser completamente secos quando o processo de limpeza estiver concluído.
- Um odor pode ser emitido quando você liga o aparelho pela primeira vez. Diminuirá à medida que o aparelho esfriar.

Durante o primeiro uso:

IMPORTANTE: Quando você usa a adega pela primeira vez ou reinicia o aparelho depois de desligá-lo por um longo período de tempo, pode haver uma variação de alguns graus entre a temperatura selecionada e a indicada no visor de LED. Isso é normal e é devido ao tempo de ativação. Quando a adega estiver funcionando por algumas horas, tudo voltará ao normal.

- Quando você liga o aparelho pela primeira vez, o compressor funciona continuamente até que a adega atinja uma temperatura suficientemente baixa.
- Durante esse período, tente não abrir a porta com frequência ou colocar garrafas dentro do aparelho.
- Se a unidade estiver desligada ou desconectada, aguarde pelo menos 5 minutos antes de reiniciar a unidade ou reconectá-la à rede elétrica.

Ligue o aparelho e ajuste a temperatura

- Alterne entre graus Celsius e Fahrenheit: Para alterar o que as exibições de temperatura mostram, pressione o botão de luz por 5 segundos.
- Acender/apagar: Para ligar a adega, pressione os botões de luz e temperatura e segure por 5 segundos. Para desligar o aparelho, mantenha pressionados os botões de luz e temperatura por 5 segundos.
- Ajuste de temperatura: Pressione o botão de temperatura para definir a temperatura interna de cada zona. As temperaturas em graus aparecerão em cada tela correspondente a uma área diferente para o compartimento superior e inferior.
- Nota: Quando o botão de temperatura é pressionado pela primeira vez, os displays de LED indicam a temperatura predefinida de fábrica, 10 °C / 50 °F para o compartimento superior e 16 °C / 60 °F para o compartimento inferior.
- Pressione o botão de temperatura uma vez. O visor no compartimento superior pisca. Pressione os botões para cima e para baixo para aumentar / diminuir a temperatura.
- Se você pressionar o botão de temperatura novamente, o visor do compartimento inferior piscará. Pressione os botões para cima e para baixo para aumentar / diminuir a temperatura.
- Ao trabalhar com as zonas superior e inferior, a temperatura de ajuste da zona superior deve ser menor que a zona inferior como configuração padrão de fábrica.

Luz interior

- A geladeira possui uma luz interna. A luz pode ser ligada e desligada usando o botão da luz.
- Nota: Para visualizar a temperatura de cada zona a qualquer momento, toque nos botões para cima e para baixo, ajuste a temperatura temporariamente na tela por cerca de 5 segundos. Use o botão "SET" para visualizar uma zona de temperatura ou outra.
- **IMPORTANTE:** Quando a temperatura é alterada, o compressor trabalha mais para atingir a temperatura necessária. Durante esse período, os painéis laterais do refrigerador de vinho podem atingir até 45 °C; no entanto, esfriarão quando a temperatura definida for atingida.

Carregamento da adega

- **IMPORTANTE:** A adega é ideal para armazenar garrafas de vinho de 0,75 litros no estilo Bordeaux. Embora você possa armazenar garrafas maiores, verifique se elas não impedem que a porta se feche corretamente.

- Sempre verifique se é possível fechar a porta sem bater em uma garrafa de vinho antes de fechá-la.
- Quando você carrega várias garrafas de vinho ao mesmo tempo, o aparelho leva mais tempo para esfriar as garrafas individuais.
- Como muitas garrafas podem diferir em tamanho e dimensões, o número real de garrafas que você pode armazenar pode variar.
- O número máximo de armazenamento é baseado em garrafas de vinho padrão de 0,75 litro em estilo bordô.

Armazenamento de vinho:

- A tabela abaixo indica as temperaturas ideais de armazenamento para diferentes tipos de vinho:

Tipo de vinho	Temperatura (Celsius)	Temperatura (Fahrenheit)
Vinho tinto	12 - 18 °C	58 - 64 °F
Vinho branco	6 - 12 °C	48 - 59 °F
Espumante / Cava	4 - 8 °C	39 - 47 °F
Vinho rosé	9.5 - 10.5 °C	49.1 - 50.9 °F
Vinho velho	13 °C	55 °F

- A estabilidade da temperatura é o fator mais importante no armazenamento de vinhos.
- A exposição à luz, vibrações ou flutuações de temperatura e umidade pode causar deterioração do vinho. Quando armazenados adequadamente, os vinhos não apenas mantêm sua qualidade, mas muitos melhoram seu aroma, sabor e complexidade à medida que amadurecem.
- Os vinhos mantidos a uma temperatura mais alta envelhecem mais rapidamente. O vinho exposto a temperaturas acima de 18 °C (64 °F) experimentará um sabor e um aroma mais pobres.
- Se o vinho for mantido a uma temperatura muito baixa, pode levar ao desenvolvimento de depósitos prejudiciais. Uma umidade de 60% a 70% é ideal para evitar o encolhimento das rolhas.
- Depois de abrir uma garrafa de vinho, o vinho entra em contato com o ar. Portanto, é melhor armazenar o restante da garrafa na posição vertical, para minimizar a área de superfície do vinho que entra em contato com o ar.
- Uma vez aberto, o vinho permanecerá em ótimas condições de consumo por dois dias para brancos delicados ou três dias para tintos ricos, desde que a garrafa tenha sido fechada novamente. Você deve certificar-se de que o lacre esteja bem apertado, verificando o plugue.
- Rolhas especiais que mantêm espumante e champanhe espumante por um ou dois dias após a abertura podem ser compradas na maioria das lojas especializadas em vinho.
- Quando armazenados adequadamente, os vinhos brancos podem durar até dois anos. Os tintos encorpados envelhecem bem por dez anos e os vinhos de sobremesa envelhecem bem até vinte anos.
- Ao comprar uma garrafa de vinho, transfira-a imediatamente para um local de armazenamento adequado (se não for para armazená-la no refrigerador de vinho).
- As garrafas de vinho mais baratas não envelhecerão nem as mais caras.
- Para tirar o máximo proveito do aroma e sabor do seu vinho, nunca encha mais de meio copo de cada vez. Também ajudará se o formato do seu copo de vinho for apropriado para ele. O tamanho e a forma do recipiente do seu copo de vinho determinará a intensidade e a complexidade do caldo. O caula deve ser longo o suficiente para evitar o contato das mãos com o recipiente do copo e deve ter o formato de uma tulipa ou cônico no topo.

MUDAR A DIREÇÃO DE ABERTURA DA PORTA

- Esta unidade tem a capacidade de abrir a porta do lado esquerdo ou direito. A unidade é entregue com a porta aberta do lado esquerdo. Se você deseja alterar a direção de abertura, siga estas instruções:
 - **Nota:** Antes de inverter o lado de abertura da porta, a adega deve ser desligada. Todas as peças removidas devem ser salvas para a reinstalação da porta.
1. Remova a tampa da dobradiça superior primeiro.
 2. Remova os três parafusos que prendem a dobradiça superior (lado direito) à estrutura. Retire a dobradiça superior (lado direito).
 3. Levante a porta e coloque-a em uma superfície acolchoada para evitar arranhões.
 4. Remova os três parafusos que prendem a dobradiça inferior e remova a dobradiça inferior.
 5. Remova a perna dianteira esquerda e transfira-a para o lado direito.
 6. Retire a placa de cobertura do orifício para o lado direito.
 7. Antes de conectar esta dobradiça inferior, remova o parafuso e inverta a direção da dobradiça inferior. Em seguida, instale a dobradiça inferior no lado esquerdo da estrutura inferior com dois parafusos.
 8. Insira o parafuso na dobradiça inferior.
 9. Coloque a porta no lugar, certificando-se de que o assento da porta esteja na dobradiça inferior.
 10. Ao perfurar a porta na posição fechada, prenda a dobradiça superior na estrutura superior do lado esquerdo com três parafusos. Lembre-se de não apertar os três parafusos até que a parte superior da porta esteja nivelada com o balcão.
 11. Instale a tampa da dobradiça superior na dobradiça superior.

LIMPEZA E MANUTENÇÃO

- Após a instalação do seu novo aparelho, recomenda-se que ele seja bem limpo.
- Primeiro desligue a adega e, em seguida, desconecte a unidade da tomada.
- Exclua todo o conteúdo.
- Lave o interior com um pano úmido e quente, umedecido em água morna e uma solução de bicarbonato de sódio.
- A solução deve conter cerca de 2 colheres de sopa de bicarbonato de sódio para cada litro de água.
- Certifique-se de manter a junta da porta (selo) limpa para que a unidade funcione com eficiência.
- O exterior da adega deve ser limpo com detergente neutro e água morna.
- Seque o interior e o exterior com um pano macio.
- Poeira ou qualquer outra coisa que bloqueie a ventilação pode prejudicar a eficiência de refrigeração do aparelho. Aspirar a ventilação, se necessário.
- Primeiro, desligue o refrigerador de vinho e, em seguida, desconecte a unidade da tomada elétrica quando não for usá-la por um longo período.
- Exclua todo o conteúdo.
- Limpe o aparelho.
- Deixe a tampa ligeiramente aberta para evitar possíveis condensações, bolores ou formação de odores.
- Pausas curtas: Deixe a adega em funcionamento por férias inferiores a três semanas.

- Longas férias: Se a adega não for usada por vários meses, remova todo o conteúdo e desconecte o cabo de alimentação. Limpe e seque bem o interior. Para evitar o odor e o crescimento de fungos, deixe a porta ligeiramente aberta e tranque-a, se necessário.
 - Movendo seu aparelho: Desligue a adega primeiro e depois desconecte a unidade da tomada elétrica.
 - Exclua todo o conteúdo.
 - Prenda com fita adesiva todos os itens soltos dentro do aparelho.
 - Cubra as portas fechadas.
- Dicas para economizar energia:**
- O refrigerador de vinho deve estar localizado na área mais fria da sala, longe de aparelhos que produzem calor ou dutos de aquecimento e longe da luz solar direta.
 - Certifique-se de que a porta esteja fechada corretamente quando a adega estiver ligada.

RESOLUÇÃO DE PROBLEMAS

PROBLEMA	POSSÍVEL CAUSA E SOLUÇÕES
A adega não funciona.	<p>Oa não está conectada.</p> <p>O diautor disparou ou o fusível está danificado.</p>
A temperatura interna está muito alta.	<p>O controle de temperatura está definido muito quente. Altere para uma configuração mais fria e aguarde várias horas até a temperatura estabilizar.</p> <p>A porta é mantida aberta por muito tempo ou é aberta com muita frequência. O ar quente entra no refrigerador de vinho sempre que a porta é aberta. Abra a porta com menos frequência.</p> <p>A porta não está completamente fechada.</p> <p>A gaxeta da porte não está vedando corretamente.</p> <p>A adega foi desconectada recentemente por um tempo.</p> <p>A adega leva 4 horas para esfriar completamente.</p>
A temperatura interna está muito baixa.	<p>O controle de temperatura está muito frio. Altere para uma configuração mais quente e aguarde várias horas até a temperatura estabilizar.</p> <p>A porta está ligeiramente aberta.</p>
Há condensação nas paredes interiores da adega.	<p>A porta é mantida aberta por muito tempo ou é aberta com muita frequência. Abra a porta com menos frequência.</p> <p>A porta não está devidamente selada.</p>
Há condensação nas paredes externas da adega.	<p>Verifique se a adega está em uma superfície nivelada.</p>
O bar de vinhos parece estar fazendo muito barulho.	<p>A porta está ligeiramente aberta, fazendo com que o ar frio dentro da adega encontre o ar quente e úmido do lado de fora.</p>
A porta não fecha corretamente.	<p>A adega não está em uma superfície nivelada. O quadro está sujo.</p>



Em conformidade com as diretivas 2012/19 / UE e 2016/863 / UE sobre a restrição do uso de substâncias perigosas em equipamentos elétricos e eletrônicos, bem como a eliminação de resíduos. O símbolo com o círculo de lixo cruzado rotulado na embalagem indica que o produto ao final de sua vida útil deve coletar-se como lixo separado. Portanto, qualquer produto que tenha atingido o fim de sua vida útil deve ser entregue a centros especializados de eliminação de resíduos para coleta seletiva de equipamentos elétricos e eletrônicos, ou devolvido ao varejista ao comprar equipamentos novos similares, em um ponto de coleta. A coleta seletiva é apropriada para o correto tratamento subsequente do equipamento enviado para reciclagem, reparação e descarte de maneira ecológica ajuda a evitar possíveis efeitos negativos no meio ambiente e na saúde e otimiza a reciclagem e reutilização de os componentes que compõem o dispositivo. A eliminação abusiva do produto pelo usuário implica a aplicação de sanções administrativas de acordo com as leis.

FRANÇAIS

Merci d'avoir choisi notre cave à vin. Avant d'utiliser cet appareil et pour assurer sa meilleure utilisation, veuillez lire attentivement les instructions.

Les mesures de sécurité indiquées ici réduisent le risque d'incendie, de choc électrique et de blessure si elles sont suivies correctement. Conservez le manuel dans un endroit sûr pour référence future, ainsi que la garantie, le reçu d'achat et la boîte. Le cas échéant, remettez ces instructions au futur propriétaire de l'appareil. Suivez toujours les consignes de sécurité de base et les mesures de prévention des risques lorsque vous utilisez un appareil électrique. Le fabricant ne sera pas responsable de tout dommage résultant de la violation de ces instructions par l'utilisateur.

INSTRUCTIONS DE SÉCURITÉ

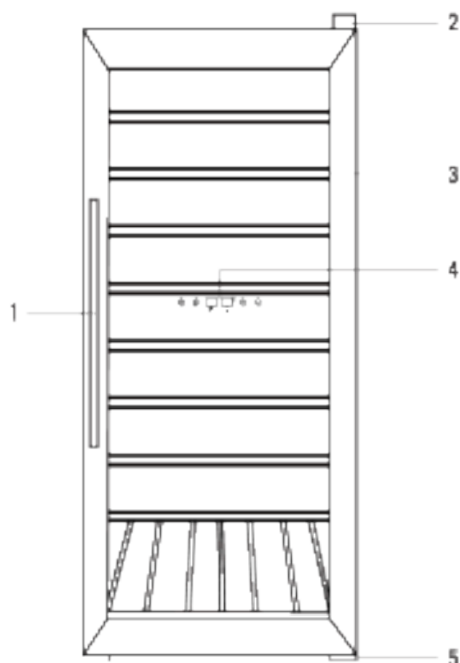
Lors de l'utilisation d'un appareil électrique, des précautions de sécurité de base doivent toujours être respectées.

- **AVERTISSEMENT:** Ne laissez pas les jeunes enfants jouer avec le refroidisseur à vin car ils pourraient se prendre.
- Pour éviter la possibilité qu'un enfant soit piégé, prenez les précautions suivantes avant de jeter le refroidisseur à vin.
- Retirez toutes les portes de l'unité.
- Laissez les étagères en place afin que les enfants ne puissent pas grimper facilement.
- Ne laissez jamais les enfants utiliser, jouer ou ramper à l'intérieur de la cave à vin.
- Les enfants doivent être surveillés pour s'assurer qu'ils ne jouent pas avec l'appareil. Conservez le cordon d'alimentation hors de portée des enfants. Ne laissez pas le cordon d'alimentation pendre du bord de la table ou du comptoir sur lequel l'appareil est allumé.
- Cet appareil n'est pas destiné à être utilisé par des personnes (y compris des enfants) ayant des capacités physiques, sensorielles ou mentales réduites, ou manquant d'expérience et de connaissances, sauf si elles ont reçu une supervision ou des instructions sur l'utilisation de l'appareil par une personne responsable de votre sécurité.
- N'utilisez pas l'appareil si la fiche, le cordon d'alimentation ou l'appareil lui-même est endommagé. Si le cordon d'alimentation est endommagé, il doit être remplacé par le fabricant, un centre de service autorisé ou des personnes de qualification similaire pour éviter les dangers.
- Réfrigérants: Tous les produits de réfrigération contiennent des réfrigérants qui, conformément aux directives légales, doivent être retirés avant l'élimination du produit. Il est de la responsabilité du consommateur de se conformer aux réglementations locales lors de l'élimination de ce produit. Ne nettoyez jamais les parties de la cave à vin avec des liquides inflammables. Les fumées peuvent créer un risque d'incendie ou d'explosion.
- Ne pas stocker ni utiliser d'essence ou d'autres vapeurs et liquides inflammables à proximité de cet appareil ou de tout autre appareil. Les fumées peuvent créer un risque d'incendie ou d'explosion.
- Une mauvaise utilisation de la prise mise à la terre peut entraîner un risque de choc électrique. Si le cordon d'alimentation est endommagé, faites-le remplacer par un centre de service agréé.
- Ce refroidisseur à vin doit être correctement mis à la terre pour votre sécurité. Le cordon d'alimentation de ce refroidisseur à vin est équipé d'une fiche à trois broches qui s'adapte à des prises de courant à trois broches standard pour minimiser les risques de choc électrique.
- En aucun cas, ne coupez ou retirez la troisième broche de mise à la terre du cordon d'alimentation fourni. Ce refroidisseur à vin nécessite une tension standard de 220 - 240 volts. Prise de courant à trois broches CA / 50 Hz.

- Ce refroidisseur à vin n'est pas conçu pour être utilisé avec un onduleur.
- Le câble doit être fixé derrière la cave à vin et non exposé ou suspendu pour éviter les blessures accidentelles.
- Ne débranchez jamais la cave à vin en tirant sur le cordon d'alimentation. Tenez toujours la fiche fermement et tirez directement sur la prise.
- N'utilisez pas de rallonge avec cet appareil. Si le cordon d'alimentation est trop court, faites installer une prise près d'un appareil par un électricien ou un technicien qualifié. L'utilisation d'une rallonge peut nuire aux performances de l'appareil.
- Si un problème avec la cave à vin persiste, veuillez contacter notre service client pour consulter un représentant.

LISTE DES PIÈCES

1. Poignée en acier inoxydable
2. Capuchon de charnière
3. Étagères en bois
4. Panneau de commande numérique
5. Jambes



INSTRUCTIONS D'INSTALLATION

Avant d'utiliser votre cave à vin

- Retirez l'emballage extérieur et intérieur.
- Avant de connecter le refroidisseur à vin à la source d'alimentation, laissez-le debout pendant environ 4 heures. Cela réduira la possibilité d'un dysfonctionnement du système de refroidissement en raison d'une mauvaise manipulation pendant le transport. Nettoyez la surface intérieure à l'eau tiède avec un chiffon doux.

Installation de votre cave à vin

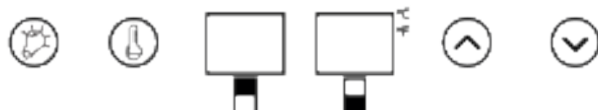
- Ce refroidisseur à vin est conçu pour être autoportant et ne doit pas être encastré ou encastré.
- Laissez 12 cm d'espace entre l'arrière et les côtés du refroidisseur à vin, permettant une ventilation adéquate de l'air. Réglez les pieds pour maintenir le niveau du vin plus frais. Placez la cave à vin à l'abri de la lumière directe du soleil et des sources de

chaleur (cuisinière, radiateur, radiateur, etc.). La lumière directe du soleil peut affecter le revêtement acrylique et les sources de chaleur peuvent augmenter la consommation électrique. Des températures ambiantes inférieures à 5 °C ou supérieures à 32 °C entraveront les performances de cet appareil.

- Selon l'emplacement de l'appareil, la direction de la porte ouverte peut être modifiée.
- Cet appareil n'est pas conçu pour être utilisé dans un garage ou toute autre installation extérieure.
- Évitez de placer le refroidisseur à vin dans des zones humides.
- Connectez le refroidisseur à vin à une prise murale dédiée, correctement installée et mise à la terre. En aucun cas, ne coupez ou retirez la troisième extrémité (mise à la terre) du cordon d'alimentation. Toutes les questions concernant l'alimentation et / ou la mise à la terre doivent être adressées à un électricien certifié ou à un centre de service agréé.
- Cet appareil n'est pas conçu pour être installé dans un VR ou utilisé avec un onduleur.
- Après avoir branché le refroidisseur à vin dans une prise murale, allumez l'appareil et laissez-le refroidir pendant 3 à 4 heures avant de placer des bouteilles de vin ou de boisson dans l'appareil.

MODE D'EMPLOI

PANNEAU DE COMMANDE



SÉLECTIONNEZ LA TEMPÉRATURE

- L'unité a deux zones de température. Pour chaque zone, la plage de température peut être réglée entre 5 °C et 18 °C (40 °F et 65 °F).

IMPORTANT:

- La température choisie pour le compartiment inférieur doit toujours être supérieure à celle du compartiment supérieur. Pour des performances optimales, la différence entre les deux zones doit être au maximum de 6 °C pour éviter les dommages dus à la condensation.

LES ÉTAGÈRES DE LA CAVE À VIN

- Les étagères sont entièrement réglables pour s'adapter à différentes formes et tailles de bouteilles de vin.
- Pour éviter d'endommager le joint de porte, assurez-vous que la porte est complètement ouverte lorsque vous retirez les étagères du compartiment de rail.
- Pour un accès facile aux bouteilles stockées, tirez les étagères d'environ 1/3. Les étagères sont conçues avec un arrêt d'urgence pour les empêcher de tirer trop loin lorsqu'elles sont chargées.

Avant de l'allumer:

- Assurez-vous qu'il a été installé par une personne qualifiée, conformément aux informations contenues dans les instructions d'installation.
- Après la livraison, attendez quatre heures avant de brancher l'appareil au secteur. Cela permettra aux gaz réfrigérants qui peuvent avoir été modifiés pendant le processus de transport de se déposer.
- L'extérieur de l'appareil et les accessoires amovibles qu'il contient doivent être nettoyés avec une solution de détergent liquide et d'eau.
- L'intérieur de l'appareil doit être nettoyé avec une solution de bicarbonate de soude dissous dans de l'eau tiède.
- L'intérieur et les accessoires doivent être complètement séchés une fois le nettoyage terminé.
- Une odeur peut être émise lorsque vous allumez l'appareil pour la première fois. Il diminuera lorsque l'appareil commencera à refroidir.

Lors de la première utilisation:

IMPORTANT: Lorsque vous utilisez la cave à vin pour la première fois ou redémarrez l'appareil après l'avoir éteint pendant une longue période, il peut y avoir une variation de quelques degrés entre la température que vous sélectionnez et celle indiquée sur l'affichage LED. Ceci est normal et est dû à la durée du temps d'activation. Une fois que la cave à vin a fonctionné pendant quelques heures, tout redevient normal.

- Lorsque vous allumez l'appareil pour la première fois, le compresseur fonctionnera en continu jusqu'à ce que la cave à vin atteigne une température suffisamment froide.
- Pendant cette période, vous devez essayer de ne pas ouvrir la porte fréquemment ou de mettre des bouteilles à l'intérieur de l'appareil.
- Si l'appareil est éteint ou débranché, vous devez attendre au moins 5 minutes avant de redémarrer l'appareil ou de le rebrancher sur le secteur.

Allumez l'appareil et réglez la température

- Basculez entre les degrés Celsius et Fahrenheit: Pour modifier ce que la température affiche, appuyez sur le bouton d'éclairage pendant 5 secondes.
- Allumer/Eteindre: Pour allumer la cave à vin, appuyez sur les boutons d'éclairage et de température et maintenez pendant 5 secondes. Pour éteindre l'appareil, maintenez enfoncés les boutons d'éclairage et de température pendant 5 secondes.
- Réglage de la température: Appuyez sur le bouton de température pour régler la température interne de chaque zone. Les températures en degrés apparaîtront sur chaque écran correspondant à une zone différente pour le compartiment supérieur et inférieur.
- Remarque: Lorsque le bouton de température est enfoncé pour la première fois, les écrans LED indiquent la température pré-réglée en usine, 10 °C / 50 °F pour le compartiment supérieur et 16 °C / 60 °F pour le compartiment inférieur.
- Appuyez une fois sur le bouton de température. L'affichage dans le compartiment supérieur clignote. Appuyez sur les boutons haut et bas pour augmenter / diminuer la température.
- Si vous appuyez à nouveau sur le bouton de température, l'affichage du compartiment inférieur clignote. Appuyez sur les boutons haut et bas pour augmenter / diminuer la température.
- Lorsque vous travaillez avec les zones supérieure et inférieure, la température de réglage de la zone supérieure doit être inférieure à la zone inférieure comme paramètre par défaut.

Lumière intérieure

- Le réfrigérateur a une lumière intérieure. La lumière peut être allumée et éteinte à l'aide du bouton d'éclairage.
- Remarque: Pour afficher la température de chaque zone à tout moment, appuyez sur les boutons haut et bas, ajustez temporairement la température sur l'écran pendant environ 5 secondes. Utilisez le bouton "SET" pour visualiser une zone de température ou une autre.

- **IMPORTANT:** Lorsque la température est modifiée, le compresseur travaille plus fort pour atteindre la température requise. Pendant ce temps, les panneaux latéraux du refroidisseur à vin peuvent atteindre jusqu'à 45 °C, mais ils se refroidissent lorsque la température réglée est atteinte.

Chargement de cave à vin

- **IMPORTANT:** La cave à vin est idéale pour stocker des bouteilles de vin de style bordelais de 0,75 litre. Bien que vous puissiez stocker des bouteilles plus grandes, vous devez vous assurer qu'elles n'empêchent pas la porte de se fermer correctement.
- Vérifiez toujours que vous pouvez fermer la porte sans heurter une bouteille de vin, avant de la fermer.
- Lorsque vous chargez plusieurs bouteilles de vin à la fois, l'appareil mettra plus de temps à refroidir les bouteilles individuelles.
- Étant donné que de nombreuses bouteilles peuvent différer en taille et en dimensions, le nombre réel de bouteilles que vous pouvez stocker peut varier.
- Le nombre maximum de stockage est basé sur des bouteilles de vin de style bordelais standard de 0,75 litre.

Stockage du vin:

- Le tableau ci-dessous indique les températures de stockage idéales pour différents types de vins:

Type de vin	Température (Celsius)	Température (Fahrenheit)
Vin rouge	12 - 18 °C	58 - 64 °F
Vin blanc	5 - 12 °C	46 - 75 °F
Vin moussoux / champagne	4 - 8 °C	39 - 47 °F
Vin rosé	8,5 - 10,5 °C	49,1 - 50,9 °F
Vieux vin	13 °C	55 °F

- La stabilité de la température est le facteur le plus important pour le stockage du vin.
- L'exposition à la lumière, aux vibrations ou aux fluctuations de température et d'humidité peut endommager le vin. Lorsqu'ils sont stockés correctement, les vins non seulement conservent leur qualité, mais beaucoup s'améliorent en arôme, en saveur et en complexité à mesure qu'ils vieillissent.
- Les vins conservés à une température plus élevée vieillissent plus rapidement. Le vin exposé à des températures supérieures à 18 °C (64 °F) connaîtra un goût et un arôme plus pauvres.
- Si le vin est conservé à une température trop basse, cela peut conduire au développement de dépôts nocifs. Une humidité de 60% à 70% est idéale pour empêcher les bouchons de rétrécir.
- Si le vin est conservé à une température trop basse, cela peut conduire au développement de dépôts nocifs. Une humidité de 60% à 70% est idéale pour empêcher les bouchons de rétrécir.
- Après avoir ouvert une bouteille de vin, le vin entre en contact avec l'air. Par conséquent, il est préférable de stocker le reste de la bouteille en position verticale, afin de minimiser la surface du vin qui entre en contact avec l'air.
- Une fois ouvert, le vin restera dans des conditions optimales de consommation pendant deux jours pour les blancs délicats ou trois jours pour les rouges riches, à condition que la bouteille soit refermée. Vous devez vous assurer que le joint est étanche en vérifiant le bouchon.
- Des bouchons spéciaux qui font bouillir du vin mousseux et du champagne pendant un jour ou deux après ouverture peuvent être achetés dans la plupart des cavistes spécialisés.
- Bien conservés, les vins blancs peuvent se conserver jusqu'à deux ans. Les rouges corsés vieilliront bien pendant dix ans et les vins de dessert vieilliront bien jusqu'à vingt ans.

- Lorsque vous achetez une bouteille de vin, vous devez la transférer immédiatement dans un lieu de stockage approprié (si vous ne la stockez pas dans votre cave à vin).
- Les bouteilles de vin les moins chères ne vieilliront pas aussi bien que les plus chères.
- Pour profiter pleinement de l'arôme et de la saveur de votre vin, ne remplissez jamais plus d'un demi-verre à la fois. Cela vous aidera également si la forme de votre verre à vin déterminera l'intensité et la complexité du bouillon. La tige doit être suffisamment longue pour éviter le contact des mains avec le récipient en verre et doit être en forme de tulipe ou conique sur le dessus.

MODIFIER LA DIRECTION D'OUVERTURE DE LA PORTE

- Cette unité a la possibilité d'ouvrir la porte du côté gauche ou droit. L'unité est livrée avec la porte ouverte du côté gauche. Si vous souhaitez modifier le sens d'ouverture, suivez ces instructions:
 - **Remarque:** Avant d'inverser l'ouverture de la porte, la cave à vin doit être éteinte. Toutes les pièces retirées doivent être enregistrées pour la réinstallation de la porte.
1. Retirez d'abord le cache supérieur de la charnière.
 2. Retirez les trois vis qui fixent la charnière supérieure (côté droit) au cadre. Retirez la charnière supérieure (côté droit).
 3. Soulevez la porte et placez-la sur une surface rembourrée pour éviter de la rayer.
 4. Retirez les trois vis qui maintiennent la charnière inférieure et assurez-vous de retirer la charnière inférieure.
 5. Retirez la jambe avant gauche et transférez-la sur le côté droit.
 6. Retirez la plaque d'obturation du trou sur le côté droit.
 7. Avant de fixer cette charnière inférieure, retirez le boulon et inversez le sens de la charnière inférieure. Installez ensuite la charnière inférieure sur le côté gauche du cadre inférieur avec deux vis.
 8. Insérez le boulon dans la charnière inférieure.
 9. Mettez la porte en place en vous assurant que le siège de la porte est sur la charnière inférieure.
 10. Tout en perçant la porte en position fermée, fixez la charnière supérieure sur le cadre supérieur du côté gauche avec trois vis. N'oubliez pas de ne pas serrer les trois vis jusqu'à ce que le haut de la porte soit au niveau du comptoir.
 11. Installez le couvercle de la charnière supérieure sur la charnière supérieure.

NETTOYAGE ET ENTRETIEN

- Après avoir installé votre nouvel appareil, il est recommandé de le nettoyer à fond.
- Éteignez d'abord la cave à vin, puis débranchez l'appareil de la prise de courant.
- Supprimez tout le contenu.
- Lavez l'intérieur avec un chiffon chaud et humide imbibé d'eau tiède et d'une solution de bicarbonate de soude.
- La solution doit être d'environ 2 cuillères à soupe de bicarbonate de soude pour chaque litre d'eau.
- Assurez-vous que le joint de la porte (joint) est propre pour que l'appareil fonctionne efficacement.
- L'extérieur de la cave à vin doit être nettoyé avec un détergent doux et de l'eau tiède.
- Séchez l'intérieur et l'extérieur avec un chiffon doux.
- La poussière ou tout autre élément qui bloque la ventilation peut nuire à l'efficacité de refroidissement de l'appareil. Passez l'aspirateur si nécessaire.
- Tout d'abord, éteignez le refroidisseur à vin, puis débranchez l'appareil de la prise électrique lorsque vous ne l'utiliserez pas pendant une période prolongée.
- Supprimez tout le contenu.
- Nettoyez l'appareil.
- Laissez le couvercle légèrement ouvert pour éviter la formation possible de condensation, de moisissure ou d'odeur.

- Des pauses courtes: Laissez la cave à vin en service pour des vacances de moins de trois semaines.
- Longues vacances: Si la cave à vin ne sera pas utilisée pendant plusieurs mois, retirez tout le contenu et débranchez le câble d'alimentation. Nettoyez et séchez soigneusement l'intérieur. Pour éviter la formation d'odeurs et de moisissures, laissez la porte légèrement ouverte et verrouillez-la si nécessaire.
- Déplacement de votre appareil: Éteignez d'abord la cave à vin, puis débranchez l'appareil de la prise électrique.
- Supprimez tout le contenu.
- Collez fermement tous les objets en vrac à l'intérieur de votre appareil.
- Couvrir les portes fermées.
- Conseils pour économiser l'énergie:
 - Le refroidisseur à vin doit être situé dans la zone la plus fraîche de la pièce, loin des appareils produisant de la chaleur ou des conduits de chauffage, et à l'abri de la lumière directe du soleil.
 - Assurez-vous que la porte est bien fermée lorsque la cave à vin est allumée.

RÉSOLUTION DES PROBLÈMES

PROBLÈME	CAUSE POSSIBLE ET SOLUTIONS
La cave à vin ne fonctionne pas.	Elle n'est pas connectée. Le disjoncteur s'est déclenché ou le fusible est encombré.
La température intérieure est trop élevée.	Le contrôle de la température est réglé trop chaud. Changez-le pour un réglage plus frais et attendez plusieurs heures pour que la température se stabilise. La porte reste ouverte trop longtemps ou est ouverte trop fréquemment. L'air chaud pénètre dans le refroidisseur à vin à chaque ouverture de la porte. Ouvrez la porte moins souvent. La porte n'est pas complètement fermée. Le joint de porte ne scelle pas correctement. La cave à vin a récemment été déconnectée pendant un certain temps. Il faut 4 heures pour que la cave à vin refroidisse complètement.
La température intérieure est trop basse.	Le contrôle de la température est réglé trop froid. Changez-le pour un réglage plus chaud et attendez plusieurs heures pour que la température se stabilise.
Il y a de la condensation sur les parois intérieures de la cave à vin.	La porte est légèrement ouverte. La porte reste ouverte trop longtemps ou est ouverte trop fréquemment. Ouvrez la porte moins souvent. La porte n'est pas correctement scellée.
Il y a de la condensation sur les murs extérieurs de la cave à vin.	Assurez-vous que la cave à vin est sur une surface plane.
Le bar à vin semble faire trop de bruit.	La porte est légèrement ouverte, ce qui fait que l'air froid à l'intérieur de la cave à vin rencontre l'air chaud et humide à l'extérieur.
La porte ne se ferme pas correctement.	La cave à vin n'est pas sur une surface plane. La planche est sale.

Conformément aux directives 2002/96/CE et 2005/618/CE sur la limitation de l'utilisation de substances dangereuses dans les équipements électriques et électroniques, ainsi que leur élimination des déchets. Le symbole avec la poubelle croisée indiqué sur l'emballage indique que le produit à la fin de sa durée de vie sera collecté en tant que déchet séparé. Par conséquent, tout produit ayant atteint la fin de sa durée de vie doit être livré dans des centres d'élimination des déchets spécialisés pour la collecte collective des déchets d'équipements électriques et électroniques, ou retourné au détaillant (ou de préférence à un service utilisateur des équipements spécialisés pour être recyclés, triés et éliminés d'une manière respectueuse de l'environnement) afin d'éviter les effets négatifs potentiels sur l'environnement et la santé et optimiser le recyclage et la réutilisation des composants qui composent l'appareil. L'élimination abusive du produit par l'utilisateur implique l'application de sanctions administratives conformément aux lois.



Grazie per aver scelto la nostra cantina. Prima di utilizzare questo apparecchio e per garantirne il miglior utilizzo, leggere attentamente le istruzioni.

Le misure di sicurezza qui indicate riducono il rischio di incendi, scosse elettriche e lesioni se seguite correttamente. Conservare il manuale in un luogo sicuro per riferimenti futuri, nonché la garanzia, la ricevuta di acquisto e la confezione. Se applicabile, dare queste istruzioni al futuro proprietario dell'apparecchio. Seguire sempre le istruzioni di sicurezza di base e le misure di prevenzione dei rischi quando si utilizza un apparecchio elettrico. Il produttore non sarà responsabile per eventuali danni derivanti dalla violazione di queste istruzioni da parte dell'utente.

ISTRUZIONI DI SICUREZZA

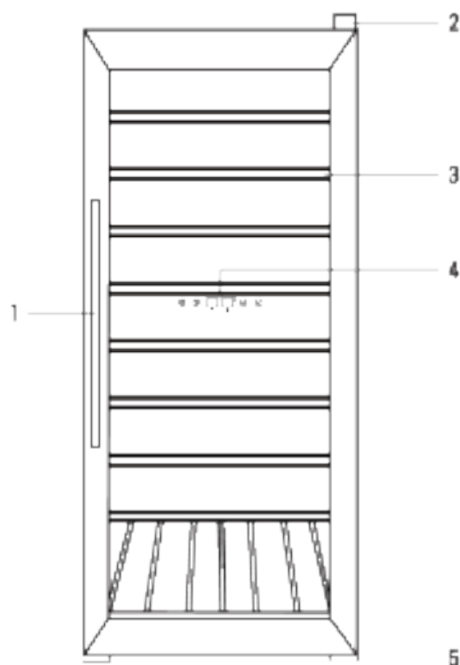
Quando si utilizza un apparecchio elettrico, è necessario osservare sempre le precauzioni di sicurezza di base.

- **AVVERTIMENTO:** Non permettere ai bambini di giocare con il dispositivo di raffreddamento del vino in quanto potrebbero essere scoperti.
- Per evitare la possibilità che un bambino rimanga intrappolato, prendere le seguenti precauzioni prima di gettare il dispositivo di raffreddamento del vino.
- Rimuovere tutte le porte dall'unità.
- Lasciare gli scaffali in posizione in modo che i bambini non possano arrampicarsi facilmente.
- Non permettere mai ai bambini di usare, giocare o gattonare all'interno della cantina.
- I bambini devono essere sorvegliati per assicurarsi che non giochino con l'apparecchio. Tenere il cavo di alimentazione fuori dalla portata dei bambini. Non lasciare che il cavo di alimentazione penda dal bordo del tavolo o contro che l'apparecchio sia acceso.
- Questo apparecchio non è destinato all'uso da parte di persone (compresi i bambini) con ridotte capacità fisiche, sensoriali o mentali o con mancanza di esperienza e conoscenza, a meno che non abbiano ricevuto supervisione o istruzioni sull'uso dell'apparecchio da parte di una persona responsabile della tua sicurezza.
- Non utilizzare l'apparecchio se la spina, il cavo di alimentazione o l'apparecchio stesso sono danneggiati. Se il cavo di alimentazione è danneggiato, deve essere sostituito dal produttore, un centro di assistenza autorizzato o persone analogamente qualificate per evitare pericoli.
- Refrigeranti: Tutti i prodotti di refrigerazione contengono refrigeranti, che in base alle linee guida legali devono essere rimossi prima di smaltire il prodotto. È responsabilità del consumatore rispettare le normative locali per lo smaltimento di questo prodotto. Non pulire mai le parti della cantina con liquidi infiammabili. I fumi possono creare pericolo di incendio o esplosione.
- Non conservare o utilizzare benzina o altri vapori e liquidi infiammabili nelle vicinanze di questo o di altri apparecchi. I fumi possono creare pericolo di incendio o esplosione.
- L'uso improprio della spina con messa a terra può comportare il rischio di scosse elettriche. Se il cavo di alimentazione è danneggiato, farlo sostituire da un centro di assistenza autorizzato.
- Questo dispositivo di raffreddamento del vino deve essere adeguatamente messo a terra per la tua sicurezza. Il cavo di alimentazione per questo dispositivo di raffreddamento del vino è dotato di una spina a tre poli che si accoppia con prese di corrente a tre poli standard per ridurre al minimo la possibilità di scosse elettriche.
- In nessun caso tagliare o rimuovere il terzo polo di messa a terra dal cavo di alimentazione in dotazione. Questo dispositivo di raffreddamento del vino richiede uno standard 220 ~ 240 volt. Presa con messa a terra a tre poli AC / 50HZ.

- Questo dispositivo di raffreddamento del vino non è progettato per l'uso con un inverter.
- Il cavo deve essere fissato dietro la cantina e non esposto o appeso per evitare lesioni accidentali.
- Non scollegare mai la cantina tirando il cavo di alimentazione. Tenere sempre saldamente la spina e tirare direttamente sulla presa.
- Non utilizzare una prolunga con questo apparecchio. Se il cavo di alimentazione è troppo corto, chiedere a un elettricista qualificato o a un tecnico dell'assistenza di installare una presa vicino all'apparecchio. L'uso di una prolunga può influire negativamente sulle prestazioni dell'unità.
- Se il problema persiste con la cantina, contattare il nostro servizio clienti per consultare un rappresentante.

ELENCO DELLE PARTI

1. Manico in acciaio inossidabile
2. Tappo carliera
3. Ripiani in legno
4. Pannello di controllo digitale
5. Gambe



ISTRUZIONI PER L'INSTALLAZIONE

Prima di usare la tua cantina

- Rimuovere l'imballaggio esterno e interno.
- Prima di collegare il dispositivo di raffreddamento del vino alla fonte di alimentazione, lasciarlo in posizione verticale per circa 4 ore. Ciò ridurrà la possibilità di un malfunzionamento nel sistema di raffreddamento a causa di una manipolazione impropria durante il trasporto. Pulire la superficie interna con acqua calda con un panno morbido.

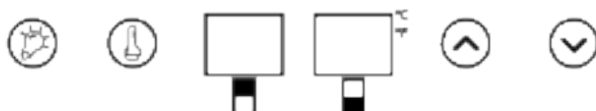
Installazione della tua cantina

- Questo dispositivo di raffreddamento del vino è progettato per essere indipendente e non deve essere incassato o incassato.

- Lasciare 12 cm di spazio tra la parte posteriore e i lati del dispositivo di raffreddamento del vino, consentendo un'adeguata ventilazione dell'aria. Regola i piedi per mantenere il livello del vino più fresco. Posizionare la cantina lontano dalla luce diretta del sole e da fonti di calore (stufa, riscaldamento, radiatore, ecc.). La luce solare diretta può influire sul rivestimento acrilico e le fonti di calore possono aumentare il consumo elettrico. Temperature ambiente inferiori a 5 °C o superiori a 32 °C ostacolano le prestazioni di questo apparecchio.
- A seconda della posizione dell'apparecchio, è possibile modificare la direzione della porta aperta.
- Questa unità non è progettata per l'uso in garage o qualsiasi altra installazione esterna.
- Evitare di posizionare il dispositivo di raffreddamento del vino in aree umide.
- Collegare il dispositivo di raffreddamento del vino a una presa a muro dedicata, correttamente installata e collegata a terra. In nessun caso tagliare o rimuovere la terza punta (messa a terra) del cavo di alimentazione. Eventuali domande relative all'alimentazione e / o alla messa a terra devono essere indirizzate a un elettricista certificato o a un centro di assistenza autorizzato.
- Questa unità non è progettata per essere installata in un camper o utilizzata con un inverter.
- Dopo aver collegato il dispositivo di raffreddamento del vino a una presa a muro, accendere l'unità e lasciarlo raffreddare per 3-4 ore prima di posizionare bottiglie di vino o bevande nell'apparecchio.

ISTRUZIONI PER L'USO

PANNELLO DI CONTROLLO



SELEZIONA LA TEMPERATURA

- L'unità ha due zone di temperatura. Per ciascuna zona, l'intervallo di temperatura può essere impostato tra 5 °C e 18 °C (40 °F e 65 °F).

IMPORTANTE:

- La temperatura selezionata per il compartimento inferiore deve essere sempre superiore a quella del compartimento superiore. Per prestazioni ottimali, la differenza tra le due zone dovrebbe essere al massimo di 6 °C per evitare danni da condensa.

GLI SCAFFALI DELLA CANTINA

- I ripiani sono completamente regolabili per adattarsi a varie forme e dimensioni di bottiglie di vino.
- Per evitare di danneggiare la guarnizione della porta, assicurarsi che la porta sia completamente aperta quando si rimuovono i ripiani dal vano del binario.
- Per un facile accesso alle bottiglie conservate, estrarre gli scaffali di circa 1/3. I ripiani sono progettati con un arresto di emergenza per impedire che si spingano troppo quando vengono caricati.

COME USARE LA CANTINA

Prima di accenderlo:

- Assicurarsi che sia stato installato da una persona adeguatamente qualificata, secondo le informazioni contenute nelle istruzioni di installazione.
- Dopo la consegna, attendere quattro ore prima di collegare l'apparecchio alla rete elettrica. Ciò consentirà ai gas refrigeranti che potrebbero essere stati alterati durante il processo di trasporto di depositarsi.
- L'esterno dell'apparecchio e gli accessori rimovibili in esso contenuti devono essere puliti con una soluzione di detergente liquido e acqua.

- L'interno dell'apparecchio deve essere pulito con una soluzione di bicarbonato di sodio sciolto in acqua calda.
- Gli interni e gli accessori devono essere completamente asciugati al termine del processo di pulizia.
- Un odore può essere emesso quando si accende l'apparecchio per la prima volta. Diminuirà quando l'apparecchio inizia a raffreddarsi.

Durante il primo utilizzo:

IMPORTANTE: Quando si utilizza la cantina per la prima volta o si riavvia l'apparecchio dopo averlo spento per molto tempo, potrebbe esserci una variazione di alcuni gradi tra la temperatura selezionata e quella indicata sul display a LED. Ciò è normale ed è dovuto alla durata del tempo di attivazione. Una volta che la cantina ha funzionato per alcune ore, tutto tornerà alla normalità.

- Quando si accende l'apparecchio per la prima volta, il compressore funzionerà continuamente fino a quando la cantina non raggiungerà una temperatura sufficientemente fredda.
- Durante questo periodo di tempo, dovresti cercare di non aprire frequentemente la porta o di mettere bottiglie all'interno dell'apparecchio.
- Se l'unità è spenta o scollegata, è necessario attendere almeno 5 minuti prima di riavviare l'unità o ricollegarla alla rete elettrica.

Accendi l'apparecchio e regola la temperatura

- Alterna tra gradi Celsius e Fahrenheit: Per modificare ciò che mostra la visualizzazione della temperatura, premere il pulsante luce per 5 secondi.
- Accendere/spingere: Per accendere la cantina, premere i pulsanti luce e temperatura e tenere premuto per 5 secondi. Per spegnere l'apparecchio, tenere premuti i pulsanti luce e temperatura per 5 secondi.
- Impostazione della temperatura: Premere il pulsante della temperatura per impostare la temperatura interna di ciascuna zona. Le temperature in gradi appariranno su ogni schermo corrispondente ad un'area diversa per il compartimento superiore e inferiore.
- Nota: Quando si preme il pulsante della temperatura per la prima volta, il display a LED indicano la temperatura preimpostata in fabbrica, 10 °C / 50 °F per il vano superiore e 16 °C / 60 °F per il vano inferiore.
- Premere una volta il pulsante della temperatura. Il display nello scomparto superiore lampeggerà. Premere i pulsanti su e giù per aumentare / diminuire la temperatura.
- Se si preme nuovamente il pulsante della temperatura, il display del comparto inferiore lampeggerà. Premere i pulsanti su e giù per aumentare / diminuire la temperatura.
- Quando si lavora con le zone superiore e inferiore, la temperatura di impostazione della zona superiore deve essere inferiore alla zona inferiore come impostazione predefinita di fabbrica.

Luce interiore

- Il frigorifero ha una luce interna. La luce può essere accesa e spenta usando il pulsante luce.
- Nota: Per visualizzare la temperatura di ciascuna zona in qualsiasi momento, toccare i pulsanti su e giù, regolare temporaneamente la temperatura sullo schermo per circa 5 secondi. Utilizzare il pulsante "SET" per visualizzare una zona di temperatura o un'altra.
- **IMPORTANTE:** Quando la temperatura viene modificata, il compressore lavora di più per raggiungere la temperatura richiesta. Durante questo periodo, i pannelli laterali del dispositivo di raffreddamento del vino possono raggiungere fino a 45 °C, tuttavia si raffreddano quando viene raggiunta la temperatura impostata.

Caricamento cantina

- **IMPORTANTE:** La cantina è ideale per conservare bottiglie di vino in stile Bordeaux da 0,75 litri. Sebbene sia possibile conservare bottiglie più grandi, è necessario assicurarsi che non impediscano la corretta chiusura della porta.

- Verifica sempre che puoi chiudere la porta senza colpire una bottiglia di vino, prima di chiuderla.
- Quando si caricano più bottiglie di vino contemporaneamente, l'apparecchio impiegherà più tempo a raffreddare le singole bottiglie.
- Poiché molte bottiglie possono differire per dimensioni e dimensioni, il numero effettivo di bottiglie che è possibile conservare può variare.
- Il numero massimo di archiviazione si basa su bottiglie di vino standard da 0,75 litri in stile bordeaux.

Conservazione del vino:

- La tabella seguente indica le temperature ideali di conservazione per diversi tipi di vino:

Tipo di vino	Temperatura (Celsius)	Temperatura (Fahrenheit)
Vino rosso	12 - 18 °C	58 - 64 °F
Vino bianco	5 - 12 °C	48 - 79 °F
Spumante / Cava	4 - 8 °C	39 - 47 °F
Vino rosa	9,5 - 10,5 °C	49,1 - 50,9 °F
Vino vecchio	13 °C	55 °F

- La stabilità della temperatura è il fattore più importante quando si tratta di conservare il vino.
- L'esposizione alla luce, alle vibrazioni o alle fluttuazioni della temperatura e dell'umidità può causare il deterioramento del vino. Se conservati correttamente, i vini non solo mantengono la loro qualità, ma molti miglioreranno nell'aroma, nel sapore e nella complessità man mano che maturano.
- I vini tenuti a una temperatura più elevata invecchieranno più velocemente. Il vino esposto a temperature superiori a 18 °C (64 °F) subirà un gusto e un aroma più scarsi.
- Se il vino viene mantenuto a una temperatura troppo bassa, può portare allo sviluppo di depositi dannosi. Un'umidità del 60% - 70% è ideale per prevenire il restringimento dei tappi.
- Dopo aver aperto una bottiglia di vino, il vino entra in contatto con l'aria. Pertanto, è meglio conservare il resto della bottiglia in posizione verticale, per ridurre al minimo la superficie del vino che viene a contatto con l'aria.
- Una volta aperto, il vino rimarrà in condizioni ottimali per il consumo per due giorni per i bianchi delicati o tre giorni per i rossi ricchi, a condizione che la bottiglia sia stata nuovamente chiusa. È necessario assicurarsi che il sigillo sia stretto controllando la spina.
- I tappi speciali che mantengono frizzante vino e spumante per uno o due giorni dopo l'apertura possono essere acquistati presso la maggior parte delle enoteche specializzate.
- Se conservati correttamente, i vini bianchi possono resistere fino a due anni. I rossi corposi invecchiano bene per dieci anni e i vini da dessert invecchiano bene fino a venti anni.
- Al momento dell'acquisto di una bottiglia di vino, è necessario trasferirla immediatamente in un luogo di conservazione adeguato (se non si intende conservare nel proprio dispositivo di raffreddamento del vino).
- Le bottiglie di vino più economiche non invecchieranno come quelle più costose.
- Per sfruttare appieno l'aroma e il sapore del tuo vino, non riempire mai più di mezzo bicchiere alla volta. Aiuterà anche se la forma del tuo bicchiere di vino è appropriata per il tuo vino. Le dimensioni e la forma del contenitore del bicchiere di vino determineranno l'intensità e la complessità del brodo. Lo stelo dovrebbe essere abbastanza lungo da evitare il contatto delle mani con il contenitore del bicchiere e dovrebbe essere a forma di tulipano o conico in cima.

MODIFICARE LA DIREZIONE DI APERTURA DELLA PORTA

- Questa unità ha la capacità di aprire la porta dal lato sinistro o destro. L'unità viene consegnata con la porta aperta dal lato sinistro. Se vuoi cambiare la direzione di apertura, segui queste istruzioni:
 - **Nota:** Prima di invertire il lato di apertura della porta, la cantina deve essere spenta. Tutte le parti rimosse devono essere salvate per la reinstallazione della porta.
1. Rimuovere prima il coperchio del cardine superiore.
 2. Rimuovere le tre viti che fissano il cardine superiore (lato destro) al telaio. Rimuovere la cerniera superiore (lato destro).
 3. Sollevare la porta e posizionarla su una superficie imbottita per evitare di graffiarla.
 4. Rimuovere le tre viti che fissano la cerniera inferiore e assicurarsi di rimuovere la cerniera inferiore.
 5. Rimuovere la gamba anteriore sinistra e trasferirla sul lato destro.
 6. Rimuovere la piastra di copertura del foro sul lato destro.
 7. Prima di fissare questa cerniera inferiore, rimuovere il bullone e invertire la direzione della cerniera inferiore. Quindi installare la cerniera inferiore sul lato sinistro del telaio inferiore con due viti.
 8. Inserire il bullone nella cerniera inferiore.
 9. Mettere la porta in posizione assicurandosi che il sedile della porta si trovi sul cardine inferiore.
 10. Durante la foratura della porta in posizione chiusa, fissare la cerniera superiore sul telaio superiore sul lato sinistro con tre viti. Ricordarsi di non serrare le tre viti fino a quando la parte superiore della porta è a livello con il contatore.
 11. Installare il coperchio del cardine superiore sul cardine superiore.

PULIZIA E MANUTENZIONE

- Dopo aver installato il nuovo dispositivo, si consiglia di pulirlo a fondo.
- Spegnere prima la cantina e quindi scollegare l'unità dalla presa di corrente.
- Elimina tutto il contenuto.
- Lavare l'interno con un panno caldo e umido imbevuto di acqua calda e una soluzione di bicarbonato di sodio.
- La soluzione dovrebbe essere di circa 2 cucchiaini di bicarbonato di sodio per ogni litro d'acqua.
- Assicurarsi di mantenere pulita la guarnizione (guarnizione) della porta affinché l'unità funzioni in modo efficiente.
- L'esterno della cantina deve essere pulito con detergente delicato e acqua calda.
- Asciugare l'interno e l'esterno con un panno morbido.
- La polvere o qualsiasi altra cosa che blocchi la ventilazione può ostacolare l'efficienza di raffreddamento dell'apparecchio. Aspirare la ventilazione se necessario.
- Innanzitutto, spegnere il dispositivo di raffreddamento del vino, quindi scollegare l'unità dalla presa elettrica quando non verrà utilizzata per un lungo periodo.
- Elimina tutto il contenuto.
- Pulire l'apparecchio.
- Lasciare il coperchio leggermente aperto per evitare la formazione di condensa, muffe o odori.
- Brevi pause: Lasciare la cantina in funzione per le vacanze di meno di tre settimane.
- Vacanza lunga: Se la cantina non verrà utilizzata per diversi mesi, rimuovere tutto il contenuto e scollegare il cavo di alimentazione. Pulire e asciugare accuratamente l'interno. Per evitare la formazione di odori e muffe, lasciare la porta leggermente aperta e bloccarla se necessario.

- Spostare il tuo apparecchio: Spegnerne prima la cantina, quindi scollegare l'unità dalla presa elettrica.
- Elimina tutto il contenuto.
- Fissare saldamente con nastro adesivo tutti gli oggetti sfusi all'interno dell'apparecchio.
- Coprire le porte chiuse.
- Suggestimenti per risparmiare energia:
- Il dispositivo di raffreddamento del vino dovrebbe essere situato nella zona più fredda della stanza, lontano da apparecchi che producono calore o condotti di riscaldamento e dalla luce solare diretta.
- Assicurarsi che la porta sia chiusa correttamente quando la cantina è accesa.

RISOLUZIONE DEI PROBLEMI

PROBLEMA	POSSIBILE CAUSA E SOLUZIONI
La cantina non funziona.	<p>Lei non è connessa.</p> <p>L'interruttore automatico è scattato o il fusibile è danneggiato.</p> <p>Il controllo della temperatura è troppo caldo. Passalo a un'impostazione più fredda e attendi diverse ore affinché la temperatura si stabilizzi.</p> <p>La porta rimane aperta troppo a lungo o viene aperta troppo frequentemente. L'aria calda entra nel radiatore del vino ogni volta che si apre la porta. Apri la porta meno frequentemente.</p> <p>La porta non è completamente chiusa.</p> <p>La guarnizione della porta non sta sigillando correttamente.</p> <p>La cantina è stata recentemente disconnessa per un po'.</p> <p>Sono necessarie 4 ore affinché la cantina si raffreddi completamente.</p>
La temperatura interna è troppo alta.	<p>Il controllo della temperatura è troppo freddo. Modificalo su un'impostazione più calda e attendi diverse ore affinché la temperatura si stabilizzi.</p> <p>La porta è leggermente aperta.</p>
La temperatura interna è troppo bassa.	<p>La porta rimane aperta troppo a lungo o viene aperta troppo frequentemente. Apri la porta meno frequentemente.</p> <p>La porta non è correttamente sigillata.</p>
C'è condensa sulle pareti interne della cantina.	<p>Assicurarsi che la cantina sia su una superficie piana.</p>
C'è condensa sulle pareti esterne della cantina.	<p>La porta è leggermente aperta, facendo sì che l'aria fredda all'interno della cantina incontri l'aria calda e umida all'esterno.</p>
L'enotaca sembra fare troppo rumore.	<p>La cantina non è su una superficie piana. Il tabellone è sporco.</p>
La porta non si chiude correttamente.	



In conformità con le direttive 2002/95 / UE e 2002/96 / UE sulla riduzione dell'uso di sostanze pericolose nelle apparecchiature elettriche ed elettroniche, nonché sul loro smaltimento dei rifiuti, il simbolo con la piumina incrociata mostrato sulla confezione indica che il prodotto al termine della sua vita utile verrà raccolto come rifiuto separato. Pertanto, qualsiasi prodotto che ha raggiunto la fine della sua vita utile deve essere consegnato a centri specializzati di smaltimento dei rifiuti per la raccolta selettiva di rifiuti di apparecchiature elettriche ed elettroniche o recitato al rivenditore al momento dell'acquisto di nuove apparecchiature simili. In un'area per una base. Una corretta raccolta separata per la successiva messa in servizio di apparecchiature aperte per essere riciclate, trattate o smaltite in modo ecologico aiuta a prevenire potenziali effetti negativi sull'ambiente e sulla salute e ottimizza il riciclaggio e il riutilizzo di componenti che compongono il dispositivo. L'uso non abusivo del prodotto da parte del cliente implica l'applicazione di sanzioni amministrative in conformità con la legge.

Vielen Dank, dass Sie sich für unseren Weinkühlschrank entschieden haben. Lesen Sie die Anweisungen sorgfältig durch, bevor Sie dieses Gerät verwenden und eine optimale Verwendung sicherstellen.

Die hier aufgeführten Sicherheitsmaßnahmen verringern das Risiko von Feuer, Stromschlag und Verletzungen, wenn sie ordnungsgemäß befolgt werden. Bewahren Sie das Handbuch sowie die Garantie, den Kaufbeleg und die Verpackung an einem sicheren Ort auf, damit Sie später darauf zurückgreifen können. Geben Sie diese Anweisungen gegebenenfalls an den zukünftigen Besitzer des Geräts weiter. Befolgen Sie bei der Verwendung eines Elektrogeräts immer die grundlegenden Sicherheitshinweise und Maßnahmen zur Risikoprävention. Der Hersteller haftet nicht für Schäden, die durch die Nichtbeachtung dieser Anweisungen durch den Benutzer entstehen.

SICHERHEITSHINWEISE

Bei der Verwendung von Elektrogeräten sollten immer die grundlegenden Sicherheitsvorkehrungen beachtet werden.

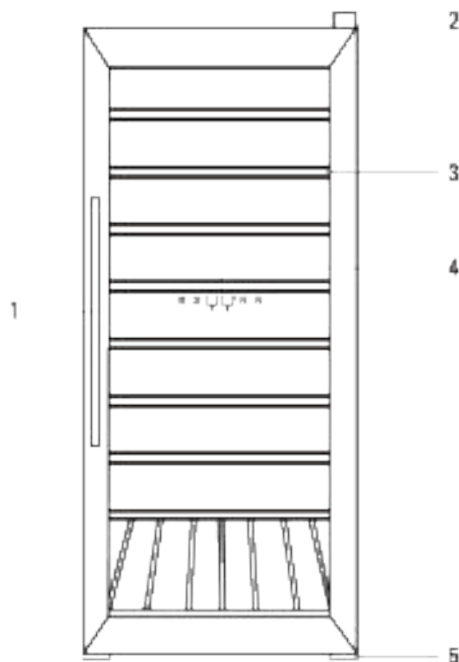
- **WARNUNG:** Lassen Sie kleine Kinder nicht mit dem Weinkühler spielen, da sie sonst erwischt werden könnten.
- Treffen Sie die folgenden Vorsichtsmaßnahmen, bevor Sie den Weinkühler wegwerfen, um zu verhindern, dass ein Kind eingeklemmt wird.
- Entfernen Sie alle Türen vom Gerät.
- Lassen Sie die Regale an Ort und Stelle, damit Kinder nicht leicht klettern können.
- Lassen Sie Kinder niemals im Weinkeller benutzen, spielen oder kriechen.
- Kinder sollten beaufsichtigt werden, um sicherzustellen, dass sie nicht mit dem Gerät spielen. Bewahren Sie das Netzkabel außerhalb der Reichweite von Kindern auf. Lassen Sie das Netzkabel nicht über der Tischkante oder der Theke hängen, an der sich das Gerät befindet.
- Dieses Gerät ist nicht für die Verwendung durch Personen (einschließlich Kinder) mit eingeschränkter körperlicher, sensorischer oder geistiger Fähigkeiten oder mit mangelnder Erfahrung und mangelndem Wissen vorgesehen, es sei denn, sie haben von einer verantwortlichen Person Aufsicht oder Anweisungen zur Verwendung des Geräts erhalten Ihrer Sicherheit.
- Verwenden Sie das Gerät nicht, wenn der Stecker, das Netzkabel oder das Gerät selbst beschädigt sind. Wenn das Netzkabel beschädigt ist, muss es vom Hersteller, einem autorisierten Servicecenter oder ähnlich qualifizierten Personen ausgetauscht werden, um Gefahren zu vermeiden.
- Kältemittel: Alle Kühlprodukte enthalten Kältemittel, die gemäß den gesetzlichen Richtlinien vor der Entsorgung des Produkts entfernt werden müssen. Es liegt in der Verantwortung des Verbrauchers, bei der Entsorgung dieses Produkts die örtlichen Vorschriften einzuhalten. Reinigen Sie niemals die Teile des Weinkellers mit brennbaren Flüssigkeiten. Dämpfe können eine Brand- oder Explosionsgefahr verursachen.
- Lagern oder verwenden Sie kein Benzin oder andere brennbare Dämpfe und Flüssigkeiten in der Nähe dieses oder eines anderen Geräts. Dämpfe können eine Brand- oder Explosionsgefahr verursachen.
- Eine falsche Verwendung des geerdeten Steckers kann zu einem Stromschlag führen. Wenn das Netzkabel beschädigt ist, lassen Sie es von einem autorisierten Servicecenter ersetzen.
- Dieser Weinkühler muss zu Ihrer Sicherheit ordnungsgemäß geerdet sein. Das Netzkabel für diesen Weinkühler ist mit einem dreipoligen Stecker ausgestattet, der mit standardmäßigen dreipoligen Steckdosen kombiniert wird, um die Möglichkeit eines Stromschlags zu minimieren.
- Schneiden oder entfernen Sie unter keinen Umständen den dritten Erdungsstift vom

mitgelieferten Netzkabel. Dieser Weinkühler benötigt standardmäßig 220 – 240 Volt, Dreipolige AC / 50Hz-Steckdose.

- Dieser Weinkühler ist nicht für die Verwendung mit einem Wechselrichter vorgesehen.
- Das Kabel sollte hinter dem Weinkeller befestigt und nicht freigelegt oder aufgehängt werden, um versehentliche Verletzungen zu vermeiden.
- Ziehen Sie niemals den Netzstecker aus der Steckdose, indem Sie am Netzkabel ziehen. Halten Sie den Stecker immer fest und ziehen Sie direkt an der Steckdose.
- Verwenden Sie für dieses Gerät kein Verlängerungskabel. Wenn das Netzkabel zu kurz ist, lassen Sie einen qualifizierten Elektriker oder Servicetechniker eine Steckdose in der Nähe des Geräts installieren. Die Verwendung eines Verlängerungskabels kann die Leistung des Geräts beeinträchtigen.
- Wenn ein Problem mit dem Weinkeller weiterhin besteht, wenden Sie sich bitte an unseren Kundendienst, um einen Vertreter zu konsultieren.

LISTE DER EINZELTEILE

1. Edelstahlgriff
2. Scharnierkappe
3. Holzregale
4. Digitales Bedienfeld
5. Beine



INSTALLATIONSANLEITUNG

Bevor Sie ihren Weinkühler benutzen

- Entfernen Sie die äußere und innere Verpackung.
- Lassen Sie den Weinkühler ca. 4 Stunden aufrecht stehen, bevor Sie ihn an die Stromquelle anschließen. Dies verringert die Möglichkeit einer Fehlfunktion des Kühlsystems aufgrund unsachgemäßer Handhabung während des Transports. Reinigen Sie die Innenfläche mit warmem Wasser mit einem weichen Tuch.

Installation Ihres Weinkühler

- Dieser Weinkühler ist freistehend und darf nicht versenkt oder versenkt werden.
- Lassen Sie zwischen der Rückseite und den Seiten des Weinkühlers 12 cm Platz, um eine ausreichende Belüftung zu gewährleisten. Stellen Sie die FüÙe so ein, dass der

Wein kühler bleibt. Stellen Sie den Weinkeller nicht in der Nähe von direktem Sonnenlicht und Wärmequellen (Herd, Heizung, Heizkörper usw.) auf. Direkte Sonneneinstrahlung kann die Acrylbeschichtung beeinträchtigen und Wärmequellen können den Stromverbrauch erhöhen. Umgebungstemperaturen unter 5 °C oder über 32 °C beeinträchtigen die Leistung dieses Geräts.

- Je nach Standort des Geräts kann die Richtung der offenen Tür geändert werden.
- Dieses Gerät ist nicht für den Einsatz in einer Garage oder einer anderen Außeninstallation vorgesehen.
- Stellen Sie den Weinkühler nicht in feuchten Bereichen auf.
- Schließen Sie den Weinkühler an eine dafür vorgesehene, ordnungsgemäß installierte, geerdete Steckdose an. Schneiden oder entfernen Sie unter keinen Umständen die dritte (Erdungs-) Spitze des Netzkabels. Bei Fragen zur Stromversorgung und / oder Erdung wenden Sie sich bitte an einen zertifizierten Elektriker oder ein autorisiertes Servicecenter.
- Dieses Gerät ist nicht für den Einbau in ein Wohnmobil oder die Verwendung mit einem Wechselrichter vorgesehen.
- Schalten Sie das Gerät nach dem Anschließen des Weinkühlers an eine Wandsteckdose ein und lassen Sie es 3 bis 4 Stunden abkühlen, bevor Sie Wein- oder Getränkeflaschen in das Gerät stellen.

GEBRAUCHSANWEISUNG

SCHALTAFEL



WÄHLEN SIE DIE TEMPERATUR

- Das Gerät verfügt über zwei Temperaturzonen. Für jede Zone kann der Temperaturbereich zwischen 5 °C und 18 °C (40 °F und 65 °F) eingestellt werden.

WICHTIG:

- Die für das untere Fach gewählte Temperatur muss immer höher sein als die des oberen Fachs. Für eine optimale Leistung sollte der Unterschied zwischen den beiden Zonen maximal 6 °C betragen, um Schäden durch Kondensation zu vermeiden.

DIE WEINKELLERREGALE

- Die Regale sind vollständig verstellbar und passen sich verschiedenen Formen und Größen von Weinflaschen an.
- Um eine Beschädigung der Türdichtung zu vermeiden, stellen Sie sicher, dass die Tür vollständig geöffnet ist, wenn Sie die Regale aus dem Schienenfach entfernen.
- Ziehen Sie die Regale für einen einfachen Zugang zu gelagerten Flaschen etwa 1/3 heraus. Die Regale sind mit einem Not-Aus ausgestattet, um zu verhindern, dass sie beim Beladen zu weit ziehen.

Vor dem Einschalten:

- Stellen Sie sicher, dass es von einer entsprechend qualifizierten Person gemäß den Informationen in den Installationsanweisungen installiert wurde.
- Warten Sie nach der Lieferung vier Stunden, bevor Sie das Gerät an das Stromnetz anschließen. Dadurch können sich Kältemittelgase absetzen, die möglicherweise während des Transportvorgangs verändert wurden.
- Das Äußere des Geräts und das darin enthaltene herausnehmbare Zubehör müssen mit einer Lösung aus flüssigem Reinigungsmittel und Wasser gereinigt werden.
- Das Innere des Geräts muss mit einer in warmem Wasser gelösten Backpulverlösung gereinigt werden.
- Der Innenraum und das Zubehör sollten nach Abschluss des Reinigungsvorgangs vollständig getrocknet sein.
- Beim ersten Einschalten des Geräts kann ein Geruch entstehen. Sie nimmt ab, wenn das Gerät abkühlt.

Während des ersten Gebrauchs:

WICHTIG: Wenn Sie den Weinkeller zum ersten Mal benutzen oder das Gerät nach längerem Ausschalten neu starten, kann es zu Abweichungen von einigen Grad zwischen der von Ihnen ausgewählten und der auf der LED-Anzeige angezeigten Temperatur kommen. Dies ist normal und liegt an der Länge der Aktivierungszeit. Sobald der Weinkeller einige Stunden in Betrieb war, wird sich alles wieder normalisieren.

- Wenn Sie das Gerät zum ersten Mal einschalten, läuft der Kompressor kontinuierlich, bis der Weinkeller eine ausreichend kalte Temperatur erreicht hat.
- Während dieser Zeit sollten Sie versuchen, die Tür nicht häufig zu öffnen oder Flaschen in das Gerät zu stellen.
- Wenn das Gerät ausgeschaltet oder vom Stromnetz getrennt ist, müssen Sie mindestens 5 Minuten warten, bevor Sie das Gerät neu starten oder wieder an das Stromnetz anschließen.

Schalten Sie das Gerät ein und stellen Sie die Temperatur ein

- Zwischen Grad Celsius und Fahrenheit umschalten: Drücken Sie die Lichttaste 5 Sekunden lang, um die Anzeige der Temperaturanzeigen zu ändern.
- Einschalten ausschalten: Um den Weinkeller einzuschalten, drücken Sie die Licht- und Temperaturtasten und halten Sie sie 5 Sekunden lang gedrückt. Halten Sie zum Ausschalten des Geräts die Licht- und Temperaturtasten 5 Sekunden lang gedrückt.
- Temperatureinstellung: Drücken Sie die Temperaturtaste, um die Innentemperatur jeder Zone einzustellen. Die Temperaturen in Grad werden auf jedem Bildschirm angezeigt, die einem anderen Bereich für das obere und untere Fach entsprechen.
- Hinweis: Wenn die Temperaturtaste zum ersten Mal gedrückt wird, zeigen die LED-Anzeigen die werkseitig voreingestellte Temperatur an: 10 °C / 50 °F für das obere Fach und 18 °C / 60 °F für das untere Fach.
- Drücken Sie die Temperaturtaste einmal. Das Display im oberen Fach blinkt. Drücken Sie die Auf- und Ab-Tasten, um die Temperatur zu erhöhen / zu verringern.
- Wenn Sie die Temperaturtaste erneut drücken, blinkt die Anzeige im unteren Fach. Drücken Sie die Auf- und Ab-Tasten, um die Temperatur zu erhöhen / zu verringern.
- Bei der Arbeit mit der oberen und unteren Zone sollte die Einstellungstemperatur der oberen Zone niedriger sein als die der unteren Zone als werkseitige Standardeinstellung.

Innenbeleuchtung

- Der Kühlschrank hat eine Innenbeleuchtung. Das Licht kann mit der Lichttaste ein- und ausgeschaltet werden.
- Hinweis: Um die Temperatur jeder Zone jederzeit anzuzeigen, berühren Sie die Auf- und Ab-Tasten und stellen Sie die Temperatur vorübergehend für etwa 5 Sekunden auf dem Bildschirm ein. Verwenden Sie die Taste "SET", um die eine oder andere Temperaturzone anzuzeigen.
- **WICHTIG:** Wenn die Temperatur geändert wird, arbeitet der Kompressor härter, um die erforderliche Temperatur zu erreichen. Während dieser Zeit können die Seitenwände

des Weinkühlers bis zu 45 °C erreichen, sie kühlen jedoch ab, wenn die eingestellte Temperatur erreicht ist.

Weinkühler laden

- **WICHTIG:** Der Weinkeller ist ideal für die Aufbewahrung von 0,75-Liter-Weinflaschen im Bordeaux-Stil. Obwohl Sie größere Flaschen aufbewahren können, müssen Sie sicherstellen, dass sie das ordnungsgemäße Schließen der Tür nicht verhindern.
- Stellen Sie immer sicher, dass Sie die Tür schließen können, ohne eine Flasche Wein zu treffen, bevor Sie sie schließen.
- Wenn Sie mehrere Flaschen Wein gleichzeitig laden, dauert es länger, bis das Gerät die einzelnen Flaschen abgekühlt hat.
- Da sich viele Flaschen in Größe und Abmessungen unterscheiden können, kann die tatsächliche Anzahl der Flaschen, die Sie lagern können, variieren.
- Die maximale Lageranzahl basiert auf Standard-Weinflaschen im Burgunder-Stil von 0,75 Litern.

Weinlagerung:

- Die folgende Tabelle zeigt die idealen Lagertemperaturen für verschiedene Weinsorten:

Art des Weins	Temperatur (Celsius)	Temperatur (Fahrenheit)
Rotwein	12 - 18 °C	58 - 64 °F
Weißwein	5 - 12 °C	48 - 79 °F
Sekt / Champagner	4 - 8 °C	39 - 47 °F
Roséwein	9,5 - 10,5 °C	49,1 - 50,9 °F
Alter Wein	13 °C	bb °F

- Die Temperaturstabilität ist der wichtigste Faktor bei der Lagerung von Wein.
- Licht, Vibrationen oder Schwankungen der Temperatur und Luftfeuchtigkeit können dazu führen, dass der Wein verderbt. Bei richtiger Lagerung behalten Weine nicht nur ihre Qualität bei, sondern viele verbessern Aroma, Geschmack und Komplexität, wenn sie reifen.
- Weine, die auf einer höheren Temperatur gehalten werden, altern schneller. Wein, der Temperaturen über 18 °C ausgesetzt ist, hat einen schlechteren Geschmack und ein schlechteres Aroma.
- Wenn der Wein auf einer zu niedrigen Temperatur gehalten wird, kann dies zur Bildung schädlicher Ablagerungen führen. Eine Luftfeuchtigkeit von 60% - 70% ist ideal, um ein Schrumpfen der Korken zu verhindern.
- Nach dem Öffnen einer Flasche Wein kommt der Wein mit der Luft in Kontakt. Daher ist es am besten, den Rest der Flasche aufrecht zu lagern, um die Oberfläche des Weins, der mit Luft in Kontakt kommt, zu minimieren.
- Nach dem Öffnen bleibt der Wein zwei Tage lang unter optimalen Verzehrbedingungen für zarte Weißweine oder drei Tage für kräftige Rotweine, sofern die Flasche wieder geschlossen wurde. Sie müssen sicherstellen, dass die Dichtung dicht ist, indem Sie den Stecker überprüfen.
- Spezielle Stopfen, die nach dem Öffnen noch ein oder zwei Tage lang Sekt und Champagner sprudeln lassen, können in den meisten Weinfachgeschäften gekauft werden.
- Bei richtiger Lagerung können Weißweine bis zu zwei Jahre haltbar sein. Vollmundige Rotweine werden zehn Jahre lang gut altern und Dessertweine werden bis zu zwanzig Jahre lang gut altern.
- Wenn Sie eine Flasche Wein kaufen, sollten Sie diese sofort an einen geeigneten Ort bringen (wenn Sie sie nicht in Ihrem Weinkühler aufbewahren möchten).
- Die billigsten Weinflaschen altern nicht so gut wie die teuersten.
- Füllen Sie niemals mehr als ein halbes Glas gleichzeitig, um das Aroma und den Geschmack Ihres Weins voll auszunutzen. Es hilft auch, wenn die Form Ihres Weinglases für Ihren Wein geeignet ist. Die Größe und Form des Behälters Ihres Weinglases bestimmt die Intensität und Komplexität der Bräue. Der Stiel sollte lang genug sein, um einen Kontakt der Hände mit dem Behälter des Glases zu vermeiden, und sollte oben wie eine Tulpe oder konisch geformt sein.

ÄNDERN SIE DIE TÜRÖFFNUNGSRICHTUNG

- Dieses Gerät kann die Tür von links oder rechts öffnen. Das Gerät wird bei geöffneter Tür von links geliefert. Wenn Sie die Öffnungsrichtung ändern möchten, befolgen Sie diese Anweisungen:
 - **Hinweis:** Vor dem Umkehren der Öffnungsseite der Tür muss der Weinkeller ausgeschaltet werden. Alle entfernten Teile sollten für die Neuinstallation der Tür aufbewahrt werden.
1. Entfernen Sie zuerst die obere Scharnierabdeckung.
 2. Entfernen Sie die drei Schrauben, mit denen das obere Scharnier (rechte Seite) am Rahmen befestigt ist. Entfernen Sie das obere Scharnier (rechte Seite).
 3. Heben Sie die Tür an und legen Sie sie auf eine gepolsterte Oberfläche, um Kratzer zu vermeiden.
 4. Entfernen Sie die drei Schrauben, mit denen das untere Scharnier befestigt ist, und entfernen Sie unbedingt das untere Scharnier.
 5. Entfernen Sie das linke Vorderbein und übertragen Sie es auf die rechte Seite.
 6. Entfernen Sie die Lochabdeckplatte auf der rechten Seite.
 7. Entfernen Sie vor dem Anbringen dieses unteren Scharniers die Schraube und kehren Sie die Richtung des unteren Scharniers um. Installieren Sie dann das untere Scharnier mit zwei Schrauben auf der linken Seite des unteren Rahmens.
 8. Setzen Sie die Schraube in das untere Scharnier ein.
 9. Setzen Sie die Tür ein und achten Sie darauf, dass sich der Türsitz am unteren Scharnier befindet.
 10. Befestigen Sie beim Bohren der Tür in der geschlossenen Position das obere Scharnier am oberen Rahmen auf der linken Seite mit drei Schrauben. Denken Sie daran, die drei Schrauben nicht festzuziehen, bis die Oberseite der Tür auf Höhe der Theke liegt.
 11. Installieren Sie die obere Scharnierabdeckung am oberen Scharnier.

REINIGUNG UND INSTANDHALTUNG

- Nach der Installation Ihres neuen Geräts wird empfohlen, es gründlich zu reinigen.
- Schalten Sie zuerst den Weinkeller aus und ziehen Sie dann den Netzstecker aus der Steckdose.
- Löschen Sie den gesamten Inhalt.
- Waschen Sie das Innere mit einem warmen, feuchten Tuch, das in warmem Wasser und einer Backpulverlösung eingeweicht ist.
- Die Lösung sollte etwa 2 Esslöffel Backpulver pro Liter Wasser sein.
- Stellen Sie sicher, dass die Türdichtung (Dichtung) sauber ist, damit das Gerät effizient funktioniert.
- Das Äußere des Weinkellers sollte mit einem milden Reinigungsmittel und warmem Wasser gereinigt werden.
- Innen und außen mit einem weichen Tuch trocknen.
- Staub oder andere Gegenstände, die die Belüftung blockieren, können die Kühleffizienz des Geräts beeinträchtigen. Saugen Sie gegebenenfalls die Belüftung ab.
- Schalten Sie zuerst den Weinkühler aus und ziehen Sie das Gerät aus der Steckdose, wenn Sie es längere Zeit nicht benutzen.
- Löschen Sie den gesamten Inhalt.
- Reinigen Sie das Gerät.
- Lassen Sie den Deckel leicht geöffnet, um Kondensation, Schimmel oder Geruchs- bildung zu vermeiden.
- Kurze Pausen: Lassen Sie den Weinkeller für Ferien von weniger als drei Wochen in Betrieb.
- Lange Ferien: Wenn der Weinkeller mehrere Monate lang nicht benutzt wird, entfernen Sie den gesamten Inhalt und ziehen Sie das Netzkabel ab. Reinigen und trocknen Sie den Innenraum gründlich. Lassen Sie die Tür leicht geöffnet und verriegeln Sie sie gegebenenfalls, um Geruchs- und Schimmelbildung zu vermeiden.

- **Bewegen Sie Ihr Gerät:** Schalten Sie zuerst den Weinkeller aus und ziehen Sie dann den Netzstecker aus der Steckdose.
- **Löschen Sie den gesamten Inhalt.**
- **Kleben Sie alle losen Gegenstände sicher in Ihr Gerät.**
- **Verschlossene Türen abdecken.**
- **Tipps zum Energiesparen:**
- **Der Weinkühler sollte sich im kühlssten Bereich des Raums befinden, fern von wärmeerzeugenden Geräten oder Heizkanälen und ohne direkte Sonneneinstrahlung.**
- **Stellen Sie sicher, dass die Tür ordnungsgemäß geschlossen ist, wenn der Weinkeller eingeschaltet ist.**

PROBLEMLÖSUNG

PROBLEM	MÖGLICHE URSACHE UND LÖSUNGEN
Der Weinkühler funktioniert nicht.	Sie ist nicht verbunden. Der Leistungsschalter hat ausgelöst oder die Sicherung ist beschädigt. Die Temperaturregelung ist zu heiß eingestellt. Stellen Sie es auf eine kühlere Einstellung und warten Sie einige Stunden, bis sich die Temperatur stabilisiert hat. Die Tür wird zu lange offen gehalten oder zu häufig geöffnet. Bei jedem Öffnen der Tür tritt heiße Luft in den Weinkühler ein. Öffnen Sie die Tür weniger häufig. Die Tür ist nicht vollständig geschlossen. Die Dichtung sitzt nicht richtig ab. Der Weinkeller wurde vor kurzem für eine Weile getrennt. Es dauert 4 Stunden, bis der Weinkeller vollständig abgekühlt ist.
Die Innentemperatur ist zu hoch.	Die Temperaturregelung ist zu kalt eingestellt. Stellen Sie es auf eine wärmere Einstellung und warten Sie einige Stunden, bis sich die Temperatur stabilisiert hat. Die Tür ist nicht geöffnet.
Die Innentemperatur ist zu niedrig.	Die Tür wird zu lange offen gehalten oder zu häufig geöffnet. Öffnen Sie die Tür weniger häufig. Die Tür ist nicht richtig abgedichtet.
An den Innenwänden des Weinkühlers befindet sich Kondenswasser.	Stellen Sie sicher, dass sich der Weinkeller auf einer ebenen Fläche befindet. Die Tür ist nicht geöffnet, sodass die kalte Luft im Weinkühler auf die warme, feuchte Luft draußen trifft.
An den Außenwänden des Weinkühlers befindet sich Kondenswasser.	Der Weinkeller befindet sich nicht auf einer ebenen Fläche. Das Board ist schmutzig.
Der Weinkühler scheint zu viel Lärm zu machen.	
Die Tür schließt nicht richtig.	



In Übereinstimmung mit den Richtlinien 2012/19 / EU und 2011/65 / EU über die Beschränkung der Verwendung gefährlicher Stoffe in elektrischen und elektronischen Geräten sowie deren Abfallentsorgung. Das Symbol mit der gestrichelten Mülltonne auf der Verpackung zeigt an, dass das Produkt am Ende seiner Nutzungsdauer als separate Abfälle gesammelt wird. Daher muss jedes Produkt, das das Ende seiner Nutzungsdauer erreicht hat, an spezialisierte Abfallentsorgungszentren zur selektiven Sammlung von elektrischen und elektronischen Abfällen (Sondermüll) geliefert oder beim Kauf ähnlicher neuer Geräte an den Einzelhändler zurückgegeben werden für eine Basis- oder erweiterte Sammelung für die spätere Inbetriebnahme von Geräten, die zum umweltfreundlichen Recycling, zur Behandlung und Entsorgung vorgesehen werden, trägt dazu bei, mögliche negative Auswirkungen auf Umwelt und Gesundheit zu vermeiden und das Recycling und die Wiederverwendung zu optimieren. Die Komponenten, aus denen das Gerät besteht, die mit ähnlichen Beschränkungen des Produkts durch den Benutzer (im Falle der Anwendung von Verwertungspraktiken) in Übereinstimmung mit den Gesetzen.

NEDERLANDS

Bedankt voor het kiezen van onze elektrische wijnkoeler. Lees de instructies zorgvuldig door voordat u dit apparaat gebruikt en om het optimaal te gebruiken.

De hier vermelde veiligheidsmaatregelen verminderen het risico op brand, elektrische schokken en letsel als ze op de juiste manier worden opgevolgd. Bewaar de handleiding op een veilige plaats voor toekomstige referentie, evenals de garantie, aankoopbon en doos. Geef deze instructies, indien van toepassing, door aan de toekomstige eigenaar van het apparaat. Volg altijd de basisveiligheidsinstructies en risicopreventiemaatregelen bij het gebruik van een elektrisch apparaat. De fabrikant is niet verantwoordelijk voor enige schade als gevolg van het niet naleven van deze instructies door de gebruiker.

BEVEILIGINGSINSTRUCTIES

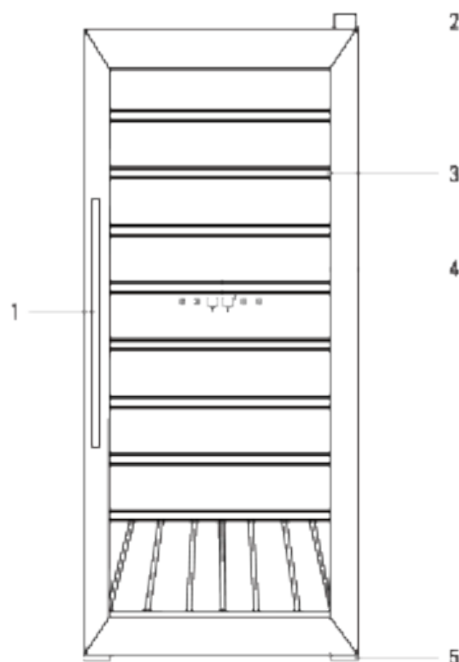
Bij het gebruik van een elektrisch apparaat moeten altijd de fundamentele veiligheidsmaatregelen in acht worden genomen.

- **WAARSCHUWING:** Sta niet toe dat jonge kinderen met de wijnkoeler spelen, omdat ze kunnen worden gepakt.
- Neem de volgende voorzorgsmaatregelen om te voorkomen dat een kind bekneld raakt voordat u de wijnkoeler weggooit.
- Verwijder alle deuren van de unit.
- Laat de planken op hun plaats zodat kinderen niet gemakkelijk kunnen klimmen.
- Laat kinderen nooit de wijnkoeler gebruiken, spelen of kruipen.
- Kinderen moeten onder toezicht staan om ervoor te zorgen dat ze niet met het apparaat spelen. Houd het netsnoer buiten het bereik van kinderen. Laat het netsnoer niet over de rand van de tafel of het aanrecht hangen waar het apparaat op staat.
- Dit apparaat is niet bedoeld voor gebruik door personen (inclusief kinderen) met verminderde fysieke, sensorische of mentale vermogens, of met een gebrek aan ervaring en kennis, tenzij ze supervisie of instructies hebben gekregen over het gebruik van het apparaat door een verantwoordelijke persoon van uw veiligheid.
- Gebruik het apparaat niet als de stekker, het netsnoer of het apparaat zelf beschadigd is. Als het netsnoer beschadigd is, moet het worden vervangen door de fabrikant, een erkend servicecentrum of personen met vergelijkbare kwalificaties om gevaren te voorkomen.
- Koelmiddelen: Alle koelproducten bevatten koelmiddelen, die volgens de wettelijke richtlijnen moeten worden verwijderd voordat het product wordt afgevoerd. Het is de verantwoordelijkheid van de consument om de lokale regelgeving na te leven bij het afvoeren van dit product. Reinig de delen van de wijnkoeler nooit met brandbare vloeistoffen. Dampen kunnen brand- of explosiegevaar veroorzaken.
- Bewaar of gebruik geen benzine of andere brandbare dampen en vloeistoffen in de buurt van dit of enig ander apparaat. Dampen kunnen brand- of explosiegevaar veroorzaken.
- Onjuist gebruik van de geaarde stekker kan leiden tot elektrische schokken. Als het netsnoer beschadigd is, laat het dan vervangen door een erkend servicecentrum.
- Deze wijnkoeler moet goed geaard zijn voor uw veiligheid. Het netsnoer voor deze wijnkoeler is uitgerust met een stekker met drie pennen die past bij standaard stopcontacten met drie pennen om de kans op elektrische schokken te minimaliseren.
- Knip of verwijder in geen geval de derde aardingspin van het meegeleverde netsnoer. Deze wijnkoeler vereist standaard 220 ~ 240 volt. AC / 50Hz drievoudig geaard stopcontact.
- Deze wijnkoeler is niet ontworpen voor gebruik met een omvormer.
- De kabel moet achter de wijnkoeler worden bevestigd en mag niet worden blootgesteld of opgehangen om onbedoeld letsel te voorkomen.
- Koppel de wijnkoeler nooit los door aan het netsnoer te trekken. Houd de stekker altijd stevig vast en trek rechtstreeks aan het stopcontact.

- Gebruik bij dit apparaat geen verlengsnoer. Als het netsnoer te kort is, laat dan een gekwalificeerde elektricien of onderhoudstechnicus een stopcontact in de buurt van het apparaat installeren. Het gebruik van een verlengsnoer kan de prestaties van het apparaat nadelig beïnvloeden.
- Als een probleem met de wijnkelder aanhoudt, neem dan contact op met onze klantenservice voor overleg met een vertegenwoordiger.

ONDERDELEN LIJST

1. Roestvrijstalen handgreep
2. Scharnierkap
3. Houten planken
4. Digitaal bedieningspaneel
5. Poten



INSTALLATIE INSTRUCTIES

Voordat u uw wijnkelder gebruikt

- Verwijder de buiten- en binnenverpakking.
- Voordat u de wijnkoeler op de stroombron aansluit, laat u hem ongeveer 4 uur rechtop staan. Dit verkleint de kans op een storing in het koelsysteem als gevolg van onjuiste behandeling tijdens transport. Reinig het binnenoppervlak met warm water met een zachte doek.

Installatie van uw wijnkelder

- Deze wijnkoeler is ontworpen om vrijstaand te zijn en mag niet worden verzonken of verzonken.
- Laat 12 centimeter ruimte tussen de achterkant en zijkanten van de wijnkoeler, zodat er voldoende ventilatie is. Stel de voeten af om het wijnniveau koeler te houden. Plaats de wijnkelder uit de buurt van direct zonlicht en warmtebronnen (kachel, verwarming, radiator enz.). Direct zonlicht kan de acrylcoating aantasten en warmtebronnen kunnen het elektriciteitsverbruik verhogen. Omgevingstemperaturen onder 5 °C of boven 32 °C belemmeren de prestatie van dit apparaat.
- Afhankelijk van de locatie van het apparaat kan de richting van de open deur worden gewijzigd.

- Dit toestel is niet ontworpen voor gebruik in een garage of enige andere buitenopstelling.
- Plaats de wijnkoeler niet in natte ruimtes.
- Sluit de wijnkoeler aan op een speciaal, correct geïnstalleerd, geaard stopcontact. Knip of verwijder in geen geval de derde (gemalen) punt van het netsnoer. Vragen over stroom en / of aarding moeten worden gericht aan een gecertificeerde elektricien of geautoriseerd servicecentrum.
- Dit toestel is niet ontworpen voor installatie in een camper of voor gebruik met een omvormer.
- Nadat u de wijnkoeler op een stopcontact hebt aangesloten, zet u het apparaat aan en laat u het 3 tot 4 uur afkoelen voordat u wijn- of drankflessen in het apparaat plaatst.

————— GEBRUIKSAANWIJZING —————

CONTROLEPANEEL



SELECTEER DE TEMPERATUUR

- De unit heeft twee temperatuurzones. Voor elke zone kan het temperatuurbereik worden ingesteld tussen 5 °C en 18 °C (40 °F en 65 °F).

BELANGRIJK:

- De gekozen temperatuur voor het onderste compartiment moet altijd hoger zijn dan die van het bovenste compartiment. Voor optimale prestaties mag het verschil tussen de twee zones maximaal 6 °C zijn om schade door condensatie te voorkomen.

DE WIJNKELDER PLANKEN

- De planken zijn volledig verstelbaar om in verschillende soorten en maten wijnflessen te passen.
- Om schade aan de deurpakking te voorkomen, moet u ervoor zorgen dat de deur volledig open is wanneer u de planken uit het rallcompartiment verwijdert.
- Voor gemakkelijke toegang tot opgeslagen flessen, trekt u de planken ongeveer 1/3 uit. De planken zijn ontworpen met een noodstop om te voorkomen dat ze tijdens het laden te ver trekken.

————— HOE UW WIJNKOELER TE GEBRUIKEN —————

Voordat u het inschakelt:

- Zorg ervoor dat het is geïnstalleerd door een voldoende gekwalificeerd persoon, volgens de informatie in de installatie-instructies.
- Wacht na levering vier uur voordat u het apparaat aansluit op het lichtnet. Hierdoor kunnen koelgassen die mogelijk tijdens het transportproces zijn gewijzigd, bezinken.
- De buitenkant van het apparaat en de verwijderbare accessoires die erin zitten, moeten worden schoongemaakt met een oplossing van vloeibaar wasmiddel en water.
- De binnenkant van het apparaat moet worden schoongemaakt met een oplossing van zuiveringszout opgelost in warm water.
- Het interieur en de accessoires moeten volledig worden gedroogd zodra het reinigingsproces is voltooid.
- De eerste keer dat u het apparaat inschakelt, kan er een geur ontstaan. Deze zal afnemen naarmate het apparaat afkoelt.

Tijdens het eerste gebruik:

BELANGRIJK: Wanneer u de wijnkelder voor de eerste keer gebruikt of het apparaat opnieuw opstart na lange tijd uitgeschakeld te hebben, kan er een variatie van enkele graden zijn tussen de temperatuur die u selecteert en die aangegeven op het LED-display. Dit is normaal en komt door de lengte van de activeringstijd. Zodra de wijnkelder een paar uur heeft gewerkt, wordt alles weer normaal.

- Wanneer u het apparaat voor het eerst inschakelt, zal de compressor continu blijven draaien totdat de wijnkelder een voldoende koude temperatuur heeft bereikt.
- Probeer gedurende deze periode de deur niet vaak te openen of flessen in het apparaat te plaatsen.
- Als het apparaat is uitgeschakeld of de stekker uit het stopcontact is gehaald, moet u ten minste 5 minuten wachten voordat u het apparaat opnieuw opstart of het opnieuw op het lichtnet aansluit.

Zet het apparaat aan en pas de temperatuur aan

- Wissel tussen graden Celsius en Fahrenheit: Om te wijzigen wat de temperatuurdissplays weergeven, drukt u 5 seconden op de lichtknop.
- Aanzetten uitzetten: Om de wijnkelder aan te zetten, drukt u op de licht- en temperatuurknoppen en houdt u deze 5 seconden vast. Om het apparaat uit te schakelen, houdt u de licht- en temperatuurknoppen 5 seconden ingedrukt.
- Temperatuurinstelling: Druk op de temperatuurknop om de interne temperatuur van elke zone in te stellen. De temperaturen in graden verschijnen op elk scherm dat overeenkomt met een ander gebied voor het bovenste en onderste compartiment.
- Notitie: Wanneer de temperatuurknop voor de eerste keer wordt ingedrukt, geven de LED-displays de in de fabriek ingestelde temperatuur aan, 10 °C / 50 °F voor het bovenste compartiment en 18 °C / 60 °F voor het onderste compartiment.
- Druk eenmaal op de temperatuurknop. Het display in het bovenste compartiment knippert. Druk op de knoppen omhoog en omlaag om de temperatuur te verhogen / verlagen.
- Als u nogmaals op de temperatuurknop drukt, knippert het display van het onderste compartiment. Druk op de knoppen omhoog en omlaag om de temperatuur te verhogen / verlagen.
- Bij het werken met de bovenste en onderste zones moet de insteltemperatuur van de bovenste zone lager zijn dan de onderste zone als de fabrieksinstelling.

Binnenverlichting

- De koelkast heeft een binnenverlichting. Het licht kan aan- en uitgezet worden met de lichtknop.
- Notitie: Raak de knoppen omhoog en omlaag aan om de temperatuur van elke zone op elk moment te bekijken en pas de temperatuur tijdelijk gedurende ongeveer 5 seconden op het scherm aan. Gebruik de "SET" knop om de ene temperatuurzone of de andere te bekijken.
- **BELANGRIJK:** Wanneer de temperatuur wordt gewijzigd, werkt de compressor harder om de vereiste temperatuur te bereiken. Gedurende deze tijd kunnen de zijpanelen van de wijnkoeler oplopen tot 45 °C, maar ze zullen afkoelen wanneer de ingestelde temperatuur is bereikt.

Wijnkelder laden

- **BELANGRIJK:** De wijnkelder is ideaal voor het bewaren van 0,75 liter wijnflessen in Bordeaux-stijl. Hoewel u grotere flessen kunt bewaren, moet u ervoor zorgen dat deze de deur niet goed sluiten.
- Controleer altijd of u de deur kunt sluiten zonder een fles wijn te raken, voordat u deze sluit.
- Wanneer u meerdere flessen wijn tegelijk laadt, duurt het langer voordat het apparaat de afzonderlijke flessen koelt.
- Aangezien veel flessen kunnen verschillen in grootte en afmetingen, kan het werkelijke aantal flessen dat u kunt bewaren variëren.
- Het maximale opslagaantal is gebaseerd op standaard 0,75 liter wijnflessen in Bordeauxstijl.

Wijnopslag:

- Onderstaande tabel geeft de ideale bewaartemperaturen weer voor verschillende soorten wijn:

Soort wijn	Temperatuur (celsius)	Temperatuur (Fahrenheit)
Rode wijn	12 - 18 °C	58 - 64 °F
Witte wijn	5 - 12 °C	48 - 79 °F
Mousserende wijn / Champagne	4 - 6 °C	39 - 47 °F
Roze wijn	8,5 - 10,5 °C	48,1 - 50,9 °F
Oude wijn	13 °C	55 °F

- Temperatuurstabiliteit is de belangrijkste factor bij het bewaren van wijn.
- Blootstelling aan licht, trillingen of schommelingen in temperatuur en vochtigheid kunnen ertoe leiden dat wijn bederft. Als ze op de juiste manier worden bewaard, behouden wijnen niet alleen hun kwaliteit, maar zullen ze ook verbeteren in aroma, smaak en complexiteit naarmate ze rijpen.
- Wijnen die op een hogere temperatuur worden bewaard, verouderen sneller. Wijn die wordt blootgesteld aan temperaturen boven 18 °C (64 °F) zal een slechtere smaak en aroma ervaren.
- Als de wijn op een te lage temperatuur wordt bewaard, kan dit leiden tot de ontwikkeling van schadelijke afzettingen. Een luchtvochtigheid van 60% ~ 70% is ideaal om te voorkomen dat kurken krimpen.
- Na het openen van een fles wijn komt de wijn in aanraking met de lucht. Daarom is het het beste om de rest van de fles rechtop te bewaren, om de oppervlakte van de wijn die in contact komt met lucht te minimaliseren.
- Eenmaal geopend, blijft de wijn gedurende twee dagen in optimale omstandigheden voor consumptie voor delicate witte wijnen of drie dagen voor rijke rode wijnen, op voorwaarde dat de fles opnieuw is gesloten. U moet ervoor zorgen dat de verzegeling goed vast zit door de plug te controleren.
- Speciale stoppen die mousserende wijn en champagne een of twee dagen na opening bubbelen, zijn verkrijgbaar bij de meeste speciaalzaken.
- Als ze goed worden bewaard, kunnen witte wijnen maximaal twee jaar worden bewaard. Volle rode wijnen zullen tien jaar goed rijpen en dessertwijnen tot twintig jaar.
- Als u een fles wijn koopt, moet u deze onmiddellijk naar een geschikte opslaglocatie overbrengen (als u deze niet in uw wijnkoeler gaat opslaan).
- De goedkoopste wijnflessen verouderen niet zo goed als de duurste.
- Om optimaal te profiteren van de geur en smaak van uw wijn, mag u nooit meer dan een half glas tegelijk vullen. Het helpt ook als de vorm van uw wijnglas geschikt is voor uw wijn. De maat en vorm van de container van uw wijnglas bepalen de intensiteit en complexiteit van de bouillon. De stengel moet lang genoeg zijn om contact van de handen met de houder van het glas te voorkomen en moet de vorm hebben van een tulp of er bovenop een kegel.

VERANDER DE OPENINGSRICHTING VAN DE DEUR

- Deze unit heeft de mogelijkheid om de deur aan de linker- of rechterkant te openen. De unit wordt geleverd met de deur open vanaf de linkerkant. Volg deze instructies als u de openingsrichting wilt wijzigen:
 - **Notitie:** Voordat de openingszijde van de deur wordt omgedraaid, moet de wijnkelder worden uitgeschakeld. Alle verwijderde onderdelen moeten worden bewaard voor herinstallatie van de deur.
1. Verwijder eerst de bovenste scharnierkap.
 2. Verwijder de drie schroeven waarmee het bovenscharnier (rechterkant) aan het frame is bevestigd. Verwijder het bovenscharnier (rechterkant).
 3. Til de deur op en plaats deze op een gewatteerd oppervlak om krassen te voorkomen.
 4. Verwijder de drie schroeven waarmee het onderste scharnier is bevestigd en verwijder het onderste scharnier.
 5. Verwijder het linker voorbeen en breng het over naar de rechterkant.
 6. Verwijder de afdekplaat van het gat aan de rechterkant.
 7. Voordat u dit onderste scharnier bevestigt, verwijdert u de bout en keert u de richting van het onderste scharnier om. Installeer vervolgens het onderste scharnier aan de linkerkant van het onderste frame met twee schroeven.
 8. Steek de bout in het onderste scharnier.
 9. Zet de deur op zijn plaats en zorg ervoor dat de deurzitting op het onderste scharnier zit.
 10. Terwijl u de deur in de gesloten positie boort, bevestigt u het bovenste scharnier op het bovenste frame aan de linkerkant met drie schroeven. Denk eraan om de drie schroeven niet vast te draaien totdat de bovenkant van de deur gelijk staat met de toonbank.
 11. Installeer de bovenste scharnierkap op het bovenste scharnier.

SCHOONMAAK EN ONDERHOUD

- Na installatie van uw nieuwe apparaat is het raadzaam het grondig te reinigen.
- Schakel eerst de wijnkelder uit en haal vervolgens de stekker uit het stopcontact.
- Verwijder alle inhoud.
- Was de binnenkant met een warme, vochtige doek gedrenkt in warm water en een oplossing van zuiveringszout.
- De oplossing moet ongeveer 2 eetlepels zuiveringszout per liter water zijn.
- Zorg ervoor dat de deurpakking (afdichting) schoon is, zodat de unit efficiënt kan werken.
- De buitenkant van de wijnkelder moet worden schoongemaakt met een mild afwasmiddel en warm water.
- Droog de binnen- en buitenkant af met een zachte doek.
- Stof of iets anders dat de ventilatie blokkeert, kan de koeling van het apparaat bemmeren. Stofzuig de ventilatie indien nodig.
- Schakel eerst de wijnkoeler uit en haal vervolgens de stekker uit het stopcontact wanneer u deze langere tijd niet zult gebruiken.
- Verwijder alle inhoud.
- Maak het apparaat schoon.
- Laat het deksel iets open staan om mogelijke condensatie, schimmelvorming of geurvorming te voorkomen.

- Korte pauzes: Laat de wijnkelder in bedrijf voor vakanties van minder dan drie weken.
- Lange vakantie: Als de wijnkelder enkele maanden niet wordt gebruikt, verwijder dan alle inhoud en koppel de stroomkabel los. Reinig en droog het interieur grondig. Om geur- en schimmelgroei te voorkomen, laat u de deur een beetje open staan en vergridelt u deze indien nodig.
- Uw apparaat verplaatsen: Schakel eerst de wijnkelder uit en haal vervolgens de stekker uit het stopcontact.
- Verwijder alle inhoud.
- Plak alle losse items in uw apparaat stevig vast.
- Dek gesloten deuren af.
- Tips om energie te besparen:
 - De wijnkoeler moet in de koelste ruimte van de kamer worden geplaatst, uit de buurt van warmtegenererende apparaten of verwarmingskanalen en niet in direct zonlicht.
 - Zorg ervoor dat de deur goed gesloten is als de wijnkelder aanstaat.

PROBLEEM OPLOSSING

PROBLEEM	MOGELIJKE OORZAAK EN OPLOSSINGEN
De wijnkelder werkt niet.	<p>Ze is niet verbonden.</p> <p>De stroomonderbreker is geactiveerd of de zekering is beschadigd.</p> <p>De temperatuuregeling is te hoog ingesteld. Verander het naar een koelere instelling en wacht enkele uren totdat de temperatuur is gestabiliseerd.</p>
De binnentemperatuur is te hoog.	<p>De deur wordt te lang opengenhouden of wordt te vaak geopend. Elke keer dat de deur wordt geopend, komt er hete lucht in de wijnkoeler. Open de deur minder vaak.</p> <p>De deur is niet helemaal gesloten.</p> <p>De deuropakking sluit niet goed af.</p> <p>De wijnkelder is recentelijk enige tijd afgesloten geweest.</p> <p>Het duurt 4 uur voordat de wijnkelder volledig is afgekoeld.</p>
De binnentemperatuur is te laag.	<p>De temperatuuregeling is te laag ingesteld. Verander het in een warmere stand en wacht enkele uren tot de temperatuur stabiel is.</p>
Er zit condens op de binnenmuren van de wijnkelder.	<p>De deur wordt te lang opengenhouden of wordt te vaak geopend. Open de deur minder vaak.</p> <p>De deur is niet goed afgesloten.</p>
Er is condensatie op de buitenmuren van de wijnkelder.	Zorg ervoor dat de wijnkelder op een vlakke ondergrond staat.
De wijnbar lijkt te veel lawas te maken.	De deur staat een beetje open, waardoor de koude lucht in de wijnkelder de warme, vochtige lucht buiten ontmoet.
De deur sluit niet goed.	De wijnkelder staat niet op een vlakke ondergrond. Het bord is vuil.



In overeenstemming met de richtlijn(en) 2012/19 / EU en 2011/653 / EU betreffende de beperking van het gebruik van gevaarlijke stoffen in elektrische en elektronische apparatuur, overal buiten afvalverwerking. Het symbool met de gekruiste vuilzak op de verpakking geeft aan dat het product aan het einde van zijn levensduur als gevaarlijk afval wordt ingezameld. Daarom moet elk product dat het einde van zijn levensduur heeft bereikt, worden afgeleverd bij gespecialiseerde afvalverwerkingscentra voor de selectieve inzameling van afgedane elektrische en elektronische apparatuur, of bij de aankoop van soortgelijk nieuwe apparatuur in één keer met de afgedane apparatuur worden gerecycled, waar een basis. Een juiste gescheiden inzameling voor betere inzameling van apparatuur die wordt gerecycled om te worden gerecycled, behandeld en op milieuvriendelijke wijze afgevoerd, helpt mogelijk negatieve effecten op het milieu en de gezondheid te voorkomen en optimaliseert recycling en hergebruik van de componenten waarin het apparaat bestaat. De productieve afvalminimatie van het product door de gebruiker impliceert de toepassing van alle nodige voorzorgen in overeenstemming met de wetten.

Dziękujemy za wybranie naszej piwniczki z winkoeler. Przed użyciem tego urządzenia i aby zapewnić jego jak najlepsze wykorzystanie, należy uważnie przeczytać instrukcję.

Wymienione tutaj środki bezpieczeństwa zmniejszają ryzyko pożaru, porażenia prądem i obrażeń, jeśli są odpowiednio przestrzegane. Przechowuj instrukcję w bezpiecznym miejscu do wykorzystania w przyszłości, a także gwarancji, dowodu zakupu i pudełka. W razie potrzeby przekaż te instrukcje przyszłemu właścicielowi urządzenia. Podczas korzystania z urządzenia elektrycznego należy zawsze przestrzegać podstawowych instrukcji bezpieczeństwa i środków zapobiegania ryzyku. Producent nie ponosi odpowiedzialności za jakiegokolwiek szkody wynikające z nieprzestrzegania przez użytkownika instrukcji.

INSTRUKCJE BEZPIECZEŃSTWA

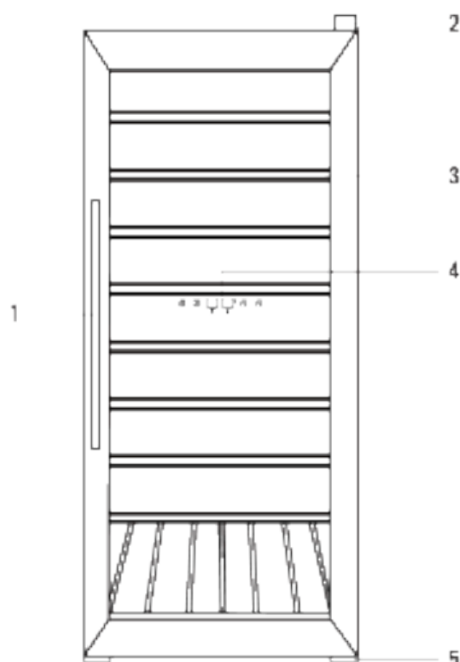
Podczas korzystania z dowolnego urządzenia elektrycznego należy zawsze przestrzegać podstawowych zasad bezpieczeństwa.

- **OSTRZEŻENIE:** Nie pozwalaj małym dzieciom bawić się chłodziarką do wina, ponieważ mogą one zostać przytłapane.
- Aby uniknąć możliwości uwięzienia dziecka, przed wyrzuceniem chłodziarki do wina należy podjąć następujące środki ostrożności.
- Usuń wszystkie drzwi z urządzenia.
- Pozostaw półki na miejscu, aby dzieci nie mogły się łatwo wspinać.
- Nigdy nie pozwalaj dzieciom korzystać, bawić się ani czotgać w piwnicy z winami.
- Dzieci powinny być nadzorowane, aby nie bawiły się urządzeniem. Trzymaj przewód zasilający poza zasięgiem dzieci. Nie pozwól, aby przewód zasilający zwisał nad krawędzią stołu lub blatu, na którym znajduje się urządzenie.
- To urządzenie nie jest przeznaczone do użytku przez osoby (w tym dzieci) o ograniczonych zdolnościach fizycznych, sensorycznych lub umysłowych lub bez doświadczenia i wiedzy, chyba że otrzymały one nadzór lub instrukcje dotyczące użytkowania urządzenia przez osobę odpowiedzialną za twoje bezpieczeństwo.
- Nie używaj urządzenia, jeśli wtyczka, przewód zasilający lub samo urządzenie jest uszkodzone. Jeśli przewód zasilający jest uszkodzony, musi zostać wymieniony przez producenta, autoryzowane centrum serwisowe lub podobnie wykwalifikowane osoby, aby uniknąć zagrożeń.
- Czynniki chłodnicze: Wszystkie produkty chłodnicze zawierają czynniki chłodnicze, które zgodnie z wytycznymi prawnymi muszą zostać usunięte przed utylizacją produktu. Podczas utylizacji tego produktu obowiązkiem konsumenta jest przestrzeganie lokalnych przepisów. Nigdy nie czyść części piwnicy na wino łatwopalnymi cieczami. Opary mogą powodować zagrożenie pożarem lub wybuchem.
- Nie przechowuj ani nie używaj benzyny ani innych łatwopalnych oparów i płynów w pobliżu tego lub innego urządzenia. Opary mogą powodować zagrożenie pożarem lub wybuchem.
- Nieprawidłowe użycie uziemionej wtyczki może spowodować ryzyko porażenia prądem. Jeśli przewód zasilający jest uszkodzony, należy go wymienić w autoryzowanym centrum serwisowym.
- Ta chłodziarka do wina musi być odpowiednio uziemiona dla twojego bezpieczeństwa. Przewód zasilający chłodziarki do wina jest wyposażony w wtyczkę z trzema bolcami, która współpracuje ze standardowymi gniazdami z trzema bolcami, aby zminimalizować ryzyko porażenia prądem.
- Pod żadnym pozorem nie odcinaj ani nie usuwaj trzeciego bolca uziemiającego z dostarczonego przewodu zasilającego. Ta chłodziarka do wina wymaga standardowego napięcia 220 - 240 woltów. Uziemione gniazdo z trzema bolcami AC / 50Hz.

- Ta chłodziarka do wina nie jest przeznaczona do użytku z falownikiem.
- Kabel należy zabezpieczyć za piwnicą z winami, a nie odsłonięty lub zawieszony, aby uniknąć przypadkowych obrażeń.
- Nigdy nie odłączaj piwniczki od wina ciągnąc za przewód zasilający. Zawsze mocno trzymaj wtyczkę i ciągnij bezpośrednio za gniazdo.
- Nie używaj przedłużacza z tym urządzeniem. Jeśli przewód zasilający jest za krótki, poproś wykwalifikowanego elektryka lub technika serwisowego o zainstalowanie gniazdka w pobliżu urządzenia. Użycie przedłużacza może niekorzystnie wpłynąć na działanie urządzenia.
- Jeśli problem z piwnicą z winami utrzymuje się, skontaktuj się z naszym działem obsługi klienta w celu uzyskania przedstawiciela.

LISTA CZĘŚCI

1. Uchwyt ze stali nierdzewnej
2. Zasłepka zawiasu
3. Drewniane półki
4. Cyfrowy panel sterowania
5. Nogi



INSTRUKCJE INSTALACJI

Przed użyciem piwnicy z wijnkoeler

- Usuń zewnętrzne i wewnętrzne opakowanie.
- Przed podłączeniem chłodziarki do wina do źródła zasilania pozostaw ją w pozycji pionowej na około 4 godziny. Zmniejszy to możliwość nieprawidłowego działania układu chłodzenia z powodu niewłaściwej obsługi podczas transportu. Wyczyść wewnętrzną powierzchnię ciepłą wodą miękką ścieraczką.

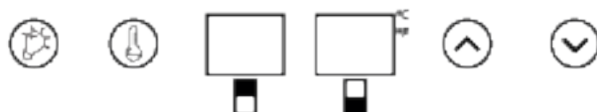
Instalacja piwnicy na wino

- Chłodziarka do wina została zaprojektowana jako wolnostojąca i nie wolno jej wpuszczać ani wpuszczać.

- Pozostaw 12 cm wolnej przestrzeni między tyłem a bokami chłodziarki do wina, umożliwiając odpowiednią wentylację powietrza. Dostosuj nóżki, aby utrzymać chłodniejszy poziom wina. Umieść piwnicę z winem z dala od bezpośredniego światła słonecznego i źródeł ciepła (kuchenka, grzejnik, kaloryfer itp.). Bezpośrednie światło słoneczne może wpływać na powłokę akrylową, a źródła ciepła mogą zwiększać zużycie energii elektrycznej. Temperatura otoczenia poniżej 5 °C lub powyżej 32 °C obniży wydajność tego urządzenia.
- W zależności od umiejscowienia urządzenia kierunek otwartych drzwi można zmienić.
- To urządzenie nie jest przeznaczone do użytku w garażu lub innej instalacji zewnętrznej.
- Unikaj umieszczania chłodziarki do wina w mokrych miejscach.
- Podłącz schładzacz do wina do dedykowanego, prawidłowo zainstalowanego, uzziemionego gniazdka ściennego. Pod żadnym pozorem nie odcinaj ani nie usuwaj trzeciej (uziemionej) końcówki przewodu zasilającego. Wszelkie pytania dotyczące zasilania i / lub uziemienia należy kierować do certyfikowanego elektryka lub autoryzowanego centrum serwisowego.
- To urządzenie nie jest przeznaczone do zainstalowania w RV ani do użycia z falownikiem.
- Po podłączeniu chłodziarki do wina do gniazdka ściennego, włącz urządzenie i pozwól mu ostygnąć przez 3 do 4 godzin przed umieszczeniem butelek wina lub napojów w urządzeniu.

INSTRUKCJA UŻYCIA

PANEL STEROWANIA



WYBIERZ TEMPERATURĘ

- Urządzenie ma dwie strefy temperaturowe. Dla każdej strefy zakres temperatur można ustawić między 5 °C a 18 °C (40 °F i 65 °F).

WAŻNY:

- Temperatura wybrana dla dolnej komory zawsze musi być wyższa niż temperatura górnej komory. Aby uzyskać optymalną wydajność, różnica między dwiema strefami powinna wynosić maksymalnie 6 °C, aby uniknąć uszkodzeń spowodowanych kondensacją.

PÓTKI NA PIWNICIE Z WIJNKOELER

- Półki są w pełni regulowane, aby pasowały do różnych kształtów i rozmiarów butelek wina.
- Aby uniknąć uszkodzenia uszczelki drzwi, upewnij się, że drzwi są całkowicie otwarte podczas wyjmowania półek z przedziału szyny.
- Aby uzyskać łatwy dostęp do przechowywanych butelek, wyciągnij półki o około 1/3. Półki są wyposażone w wyłącznik awaryjny, aby zapobiec ich zbyt dużemu wyciągnięciu podczas ładowania.

Przed włączeniem:

- Upewnij się, że został zainstalowany przez odpowiednio wykwalifikowaną osobę, zgodnie z informacjami w instrukcji instalacji.
- Po dostawie odczekaj cztery godziny przed podłączeniem urządzenia do sieci. Umożliwi to osiadywanie gazów chłodniczych, które mogły zostać zmienione podczas procesu transportu.
- Zewnętrzną część urządzenia i znajdujące się w nim wyjmowane akcesoria należy oczyścić roztworem płynnego detergentu i wody.
- Wnętrze urządzenia należy oczyścić roztworem sody oczyszczonej rozpuszczonej w ciepłej wodzie.
- Wnętrze i akcesoria powinny zostać całkowicie wysuszone po zakończeniu procesu czyszczenia.
- Przy pierwszym włączeniu urządzenia może wydobywać się zapach. Zmniejszy się, gdy urządzenie zacznie się ochładzać.

Podczas pierwszego użycia:

WAŻNY: Podczas korzystania z piwniczki na wino po raz pierwszy lub ponownego uruchamiania urządzenia po długim wyłączeniu może wystąpić różnica kilku stopni między wybraną temperaturą a temperaturą wskazaną na wyświetlaczu LED. Jest to normalne i wynika z długości czasu aktywacji. Gdy piwnica z winami będzie działała przez kilka godzin, wszystko wróci do normy.

- Po włączeniu urządzenia po raz pierwszy kompresor będzie pracował nieprzerwanie, dopóki piwnica z winami nie osiągnie wystarczająco niskiej temperatury.
- W tym czasie nie należy często otwierać drzwi ani wkładać butelek do urządzenia.
- Jeśli urządzenie jest wyłączone lub odłączone od zasilania, musisz odczekać co najmniej 5 minut przed ponownym uruchomieniem urządzenia lub ponownym podłączeniem go do sieci.

Włącz urządzenie i wyreguluj temperaturę

- Przetaczaj między stopniami Celsjusza i Fahrenheita: Aby zmienić sposób pokazywania wyświetlanych temperatur, naciśnij przycisk podświetlenia na 5 sekund.
- Włączyć / wyłączyć: Aby włączyć piwnicę z winami, naciśnij przyciski światła i temperatury i przytrzymaj przez 5 sekund. Aby wyłączyć urządzenie, naciśnij i przytrzymaj przyciski światła i temperatury przez 5 sekund.
- Ustawienie temperatury: Naciśnij przycisk temperatury, aby ustawić temperaturę wewnętrzną każdej strefy. Temperatury w stopniach pojawiają się na każdym ekranie odpowiadającym innemu obszarom dla górnej i dolnej komory.
- Uwaga: Gdy przycisk temperatury zostanie naciśnięty po raz pierwszy, wyświetlacze LED wskazują fabrycznie ustawioną temperaturę, 10 °C / 50 °F dla górnej komory i 16 °C / 60 °F dla dolnej komory.
- Naciśnij raz przycisk temperatury. Wyświetlacz w górnej komorze zacznie migać. Naciśnij przyciski góra i dół, aby zwiększyć / zmniejszyć temperaturę.
- Po ponownym naciśnięciu przycisku temperatury wyświetlacz dolnego przedziału zacznie migać. Naciśnij przyciski góra i dół, aby zwiększyć / zmniejszyć temperaturę.
- Podczas pracy z górną i dolną strefą temperatura ustawienia górnej strefy powinna być niższa niż dolna strefa jako domyślne ustawienie fabryczne.

Wewnętrzne światło

- Lodówka ma wewnętrzne oświetlenie. Światło można włączać i wyłączać za pomocą przycisku światła.
- Uwaga: Aby w dowolnym momencie wyświetlić temperaturę każdej strefy, dotknij przycisków w górę i w dół, tymczasowo dostosuj temperaturę na ekranie przez około 5 sekund. Użyj przycisku „SET”, aby wyświetlić jedną strefę temperatury lub inną.
- **WAŻNY:** Po zmianie temperatury sprężarka pracuje ciężej, aby osiągnąć wymaganą temperaturę. W tym czasie panele boczne chłodziarki do wina mogą osiągnąć temperaturę do 45 °C, jednak ostygną po osiągnięciu ustawionej temperatury.

Ładowanie piwnicy z wijnkoeler

- WAŻNY: Piwnica jest idealna do przechowywania butelek wina w stylu Bordeaux o pojemności 0,75 litra. Chociaż możesz przechowywać większe butelki, musisz upewnić się, że nie uniemożliwiają one prawidłowego zamknięcia drzwi.
- Przed zamknięciem zawsze sprawdź, czy możesz zamknąć drzwi bez uderzania w butelkę wina.
- Po załadowaniu wielu butelek wina na raz urządzenie schłodzi poszczególne butelki dłużej.
- Ponieważ wiele butelek może różnić się rozmiarem i wymiarami, faktyczna liczba butelek, które można przechowywać, może się różnić.
- Maksymalna liczba miejsc przechowywania oparta jest na standardowych butelkach wina w stylu burgunda o pojemności 0,75 litra.

Przechowywanie wina:

- Poniższa tabela wskazuje idealne temperatury przechowywania dla różnych rodzajów wina:

Rodzaj wina	Temperatura (Celsjusza)	Temperatura (Fahrenheita)
Czerwone wino	12 - 18 °C	58 - 64 °F
Białe wino	5 - 12 °C	48 - 78 °F
Wino musujące / Szampan	4 - 8 °C	39 - 47 °F
Różowe wino	8,5 - 10,5 °C	49,1 - 50,9 °F
Stare wino	13 °C	56 °F

- Stabilność temperaturowa jest najważniejszym czynnikiem przy przechowywaniu wina.
- Wystawienie na światło, wibracje lub wahania temperatury i wilgotności może spowodować zepsucie wina. W przypadku prawidłowego przechowywania wina nie tylko zachowują swoją jakość, ale w miarę dojrzewania wiele z nich poprawi aromat, smak i złożoność.
- Wina przechowywane w wyższej temperaturze szybciej się starzeją. Wino wystawione na działanie temperatur powyżej 18 °C (64 °F) będzie miało gorszy smak i aromat.
- Jeśli wino jest przechowywane w zbyt niskiej temperaturze, może to prowadzić do powstawania szkodliwych osadów. Wilgotność 60% - 70% jest idealna, aby zapobiec kurczeniu się korka.
- Po otwarciu butelki wina wino wchodzi w kontakt z powietrzem. Dlatego najlepiej przechowywać resztę butelki w pozycji pionowej, aby zminimalizować powierzchnię wina mającego kontakt z powietrzem.
- Po otwarciu wino pozostanie w optymalnych warunkach do spożycia przez dwa dni w przypadku delikatnych białych lub trzy dni w przypadku bogatych czerwonych, pod warunkiem, że butelka zostanie ponownie zamknięta. Należy upewnić się, że uszczelka jest szczelna, sprawdzając korek.
- Specjalne korki, które utrzymują musujące wino i szampan szampan przez jeden lub dwa dni po otwarciu, można kupić w większości specjalistycznych sklepów z winami.
- W przypadku właściwego przechowywania białe wina mogą się dobrze przechowywać przez okres do dwóch lat. W pełni czerwone wina będą się dobrze starzeć przez dziesięć lat, a wina deserowe będą się dobrze starzeć przez okres do dwudziestu lat.
- Kupując butelkę wina, należy ją natychmiast przenieść do odpowiedniego miejsca przechowywania (jeśli nie zamierzasz przechowywać jej w chłodzarni do wina).
- Najtańsze butelki wina nie będą się starzeć tak samo jak te najdroższe.
- Aby w pełni wykorzystać aromat i smak wina, nigdy nie napętniaj więcej niż pół szklanki na raz. Pomoże również, jeśli kształt kieliszka do wina jest odpowiedni dla twojego wina. Rozmiar i kształt pojemnika na kieliszek do wina określa intensywność i złożoność bulionu. Trzon powinien być wystarczająco długi, aby uniknąć kontaktu dna z pojemnikiem szklanym, i powinien mieć kształt tulipana lub stożka na górze.

ZMIENIĆ KIERUNEK OTWARCIA DRZWI

- To urządzenie ma możliwość otwierania drzwi z lewej lub prawej strony. Urządzenie jest dostarczane z otwartymi drzwiami z lewej strony. Jeśli chcesz zmienić kierunek otwierania, postępuj zgodnie z tymi instrukcjami:
 - **Uwaga:** Przed odwróceniem otwierającej się strony drzwi piwniczkę z winami należy wyłączyć. Wszystkie usunięte części należy zapisać do ponownej instalacji drzwi.
1. Najpierw zdejmij górną pokrywę zawiasu.
 2. Odkręć trzy śruby mocujące górny zawias (po prawej stronie) do ramy. Zdejmij górny zawias (prawa strona).
 3. Podnieś drzwi i potóż je na wyściętanej powierzchni, aby uniknąć zarysowania.
 4. Odkręć trzy śruby mocujące dolny zawias i koniecznie wyjmij dolny zawias.
 5. Zdejmij lewą przednią nogę i przenieś ją na prawą stronę.
 6. Zdejmij zaślepkę otworu po prawej stronie.
 7. Przed zamocowaniem dolnego zawiasu wyjmij śrubę i odwróć kierunek dolnego zawiasu. Następnie zainstaluj dolny zawias po lewej stronie dolnej ramy za pomocą dwóch śrub.
 8. Włóż śrubę do dolnego zawiasu.
 9. Umieść drzwi na miejscu, upewniając się, że siedzisko drzwi znajduje się na dolnym zawiasie.
 10. Podczas wiercenia drzwi w pozycji zamkniętej zabezpiecz górny zawias na górnej ramie po lewej stronie za pomocą trzech śrub. Pamiętaj, aby nie dokręcać trzech śrub, dopóki górna część drzwi nie znajdzie się w jednej linii z blatem.
 11. Zamontować górną pokrywę zawiasu na górnym zawiasie.

CZYSZCZENIE I KONSERWACJA

- Po zainstalowaniu nowego urządzenia zaleca się jego dokładne czyszczenie.
- Najpierw wyłącz piwniczkę z winami, a następnie odłącz urządzenie od gniazdka elektrycznego.
- Usuń całą zawartość.
- Umyj wnętrze ciepłą, wilgotną szmatką nasączoną ciepłą wodą i roztworem sody oczyszczonej.
- Roztwór powinien zawierać około 2 łyżki sody oczyszczonej na każdy litr wody.
- Utrzymuj uszczelkę drzwi (uszczelkę) w czystości, aby urządzenie działało wydajnie.
- Zewnętrzną część piwnicy winnej należy czyścić łagodnym detergentem i ciepłą wodą.
- Osuszyć wnętrze i na zewnątrz miękką ściereczką.
- Kurz lub cokolwiek innego, co blokuje wentylację, może obniżyć wydajność chłodzenia urządzenia. W razie potrzeby odkurz wentylację.
- Najpierw wyłącz schładzacz do wina, a następnie odłącz urządzenie od gniazdka elektrycznego, jeśli nie będziesz go używać przez dłuższy czas.
- Usuń całą zawartość.
- Wyczyść urządzenie.
- Pozostaw pokrywę lekko otwartą, aby uniknąć możliwej kondensacji, pleśni lub zapachu.
- Krótkie przerwy: Pozostaw działającą piwnicę z winami na święta krótsze niż trzy tygodnie.
- Długie wakacje: Jeśli piwnica z winami nie będzie używana przez kilka miesięcy, usuń całą zawartość i odłącz kabel zasilający. Dokładnie wyczyść i osusz wnętrze. Aby zapobiec powstawaniu nieprzyjemnego zapachu i pleśni, pozostaw lekko otwarte drzwiczki i zablokuj je w razie potrzeby.
- Przenoszenie urządzenia: Najpierw wyłącz piwniczkę z winami, a następnie odłącz urządzenie od gniazdka elektrycznego.
- Usuń całą zawartość.

- Bezpiecznie zaklej wszystkie luźne przedmioty wewnątrz urządzenia.
- Zakryj zamknięte drzwi.
- Wskazówki dotyczące oszczędzania energii:
- Chłodziarka do wina powinna być umieszczona w najzimniejszym pomieszczeniu, z dala od urządzeń wytwarzających ciepło lub kanałów grzewczych oraz z dala od bezpośredniego światła słonecznego.
- Upewnij się, że drzwi są prawidłowo zamknięte, gdy piwnica z winami jest włączona.

ROZWIĄZANIE PROBLEMU

PROBLEM	MOŻLIWA PRZYCZYNA I ROZWIĄZANIA
Piwnica z winami nie działa.	Nie jest połączona. Zadziałł wyłącznik automatyczny lub bezpiecznik jest uszkodzony.
Temperatura wewnętrzna jest za wysoka.	Regulacja temperatury jest ustawiona za gorąco. Zmień ustawienie na chłodniejsze i poczekaj kilka godzin, aż temperatura się ustabilizuje. Drzwi są otwarte zbyt długo lub zbyt często. Gorące powietrze dostaje się do chłodziarki do wina przy każdym otwarciu drzwi. Rzadziej otwieraj drzwi. Drzwi nie są całkowicie zamknięte. Uszczelka drzwi nie uszczelnia się prawidłowo. Piwnica z winami została niedawno odłączona. Całkowite ochłodzenie piwnicy z winami zajmuje 7 godzin.
Temperatura wewnętrzna jest zbyt niska.	Regulacja temperatury jest za niska. Zmień ustawienie na ciepłejsze i poczekaj kilka godzin, aż temperatura się ustabilizuje.
Na wewnętrznych ściankach piwniczki znajduje się kondensacja.	Drzwi są lekko otwarte. Drzwi są otwarte zbyt długo lub zbyt często. Rzadziej otwieraj drzwi. Drzwi nie są odpowiednio uszczelnione.
Na zewnętrznych ściankach piwniczki znajduje się kondensacja.	Upewnij się, że piwnica z winami jest na poziomej powierzchni.
Winami wytaje się robieć zbyt duży hałas.	Drzwi są lekko otwarte, przez co zimne powietrze w piwnicy winnej napotyka ciepłe, wilgotne powietrze na zewnątrz.
Drzwi nie zamykają się prawidłowo.	Piwnica z winami nie jest na poziomej powierzchni. Tablica jest brudna.



Zgodnie z dyrektywami 2012/15 / UE i 2014/53 / UE w sprawie ograniczenia stosowania niebezpiecznych substancji w sprzęcie elektrycznym i elektronicznym, o także ich usuwania. Symbol z przekreślonym pojemnikiem na śmieci pokazuje na opakowaniu oznacza, że produkt pod koniec okresu użytkowania będzie zliczony jako osobny odpad. Dlatego każdy produkt, który osiągnął koniec okresu użytkowania, musi zostać dostarczony do wyznaczonych centrów usowania odpadów w celu selektywnej zbiórki zużytego sprzętu elektrycznego i elektronicznego lub zwrócony do sprzedawcy przy zakupie podobnego nowego sprzętu w jednym dla jednej bazy. Wskazówka selektywna zbiórka w celu późniejszego uruchomienia sprzętu przeznaczony do recyklingu, składowania i stylowej w sposób przyjazny dla środowiska poprzez zapobieganie potencjalnym negatywnym skutkom dla środowiska i zdrowia oraz optymalizację recyklingu ponowne użyte elementy składające się na urządzenie... Nowelkowie usunęło produktu przez użytkownika oznacza narodzić sankcji administracyjnych zgodnie z prawem.

CREATE