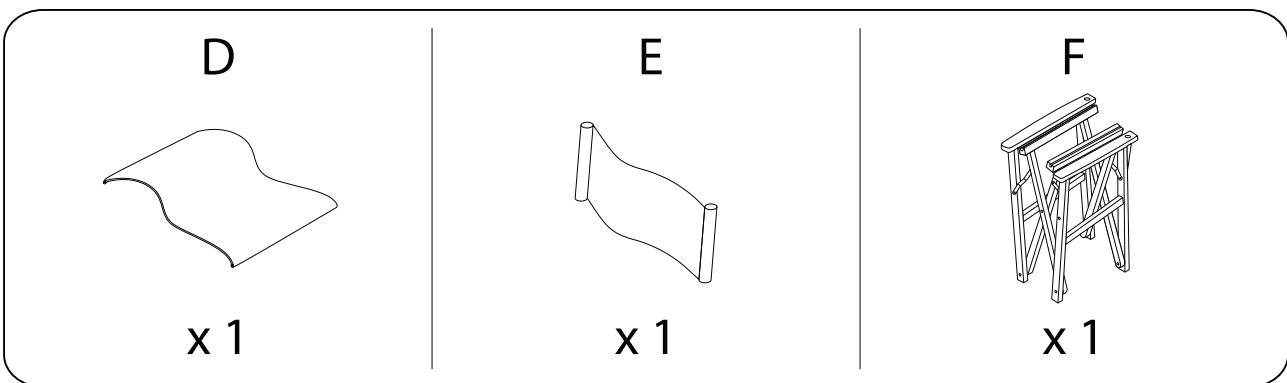
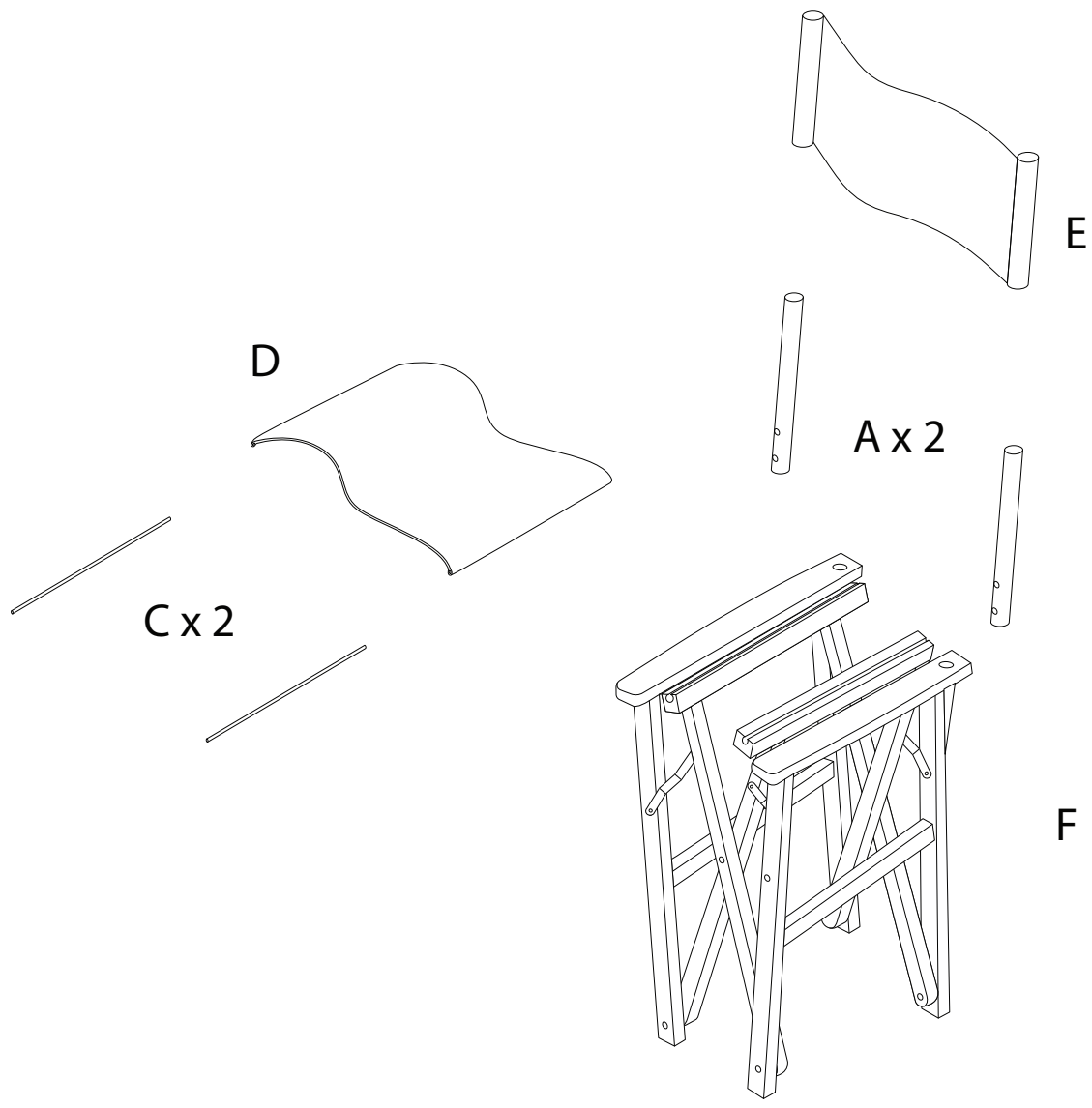
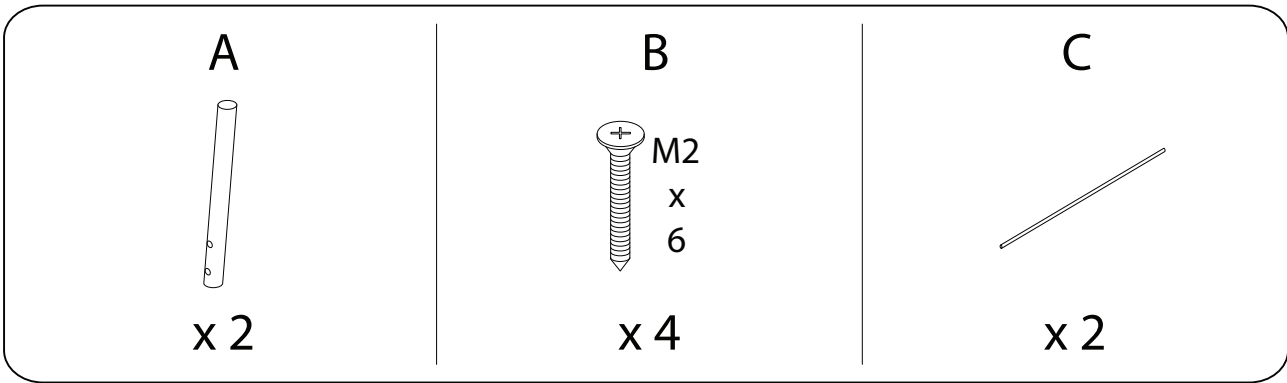


Assembly instructions for step 1/4:

- Tools: A screwdriver is required. A power drill is not required (indicated by a crossed-out drill icon).
- Time: 30 minutes.
- Personnel: 1 person.
- Warnings: Two warning triangles with exclamation marks are present, indicating safety precautions.

1/4

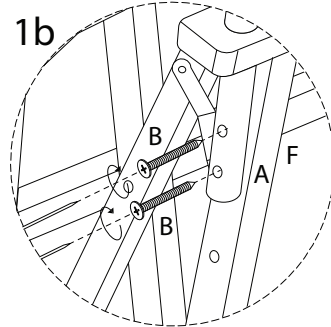
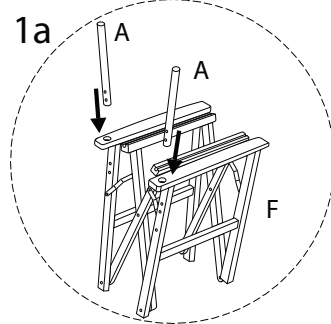
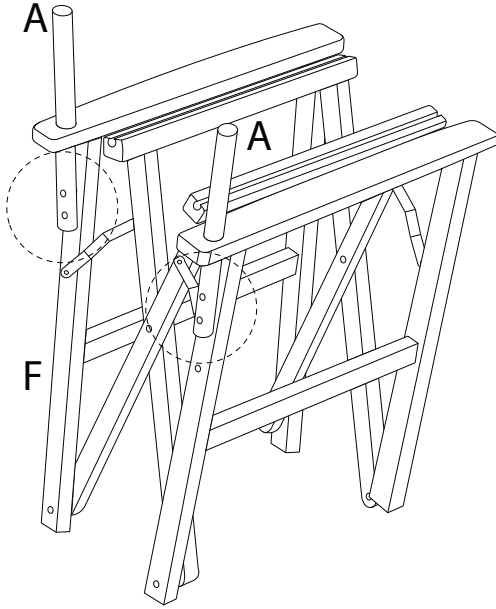


1

A
x2

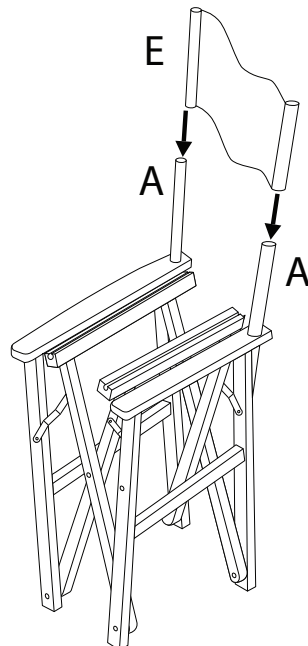
B
M2
x 6
x4

F
x1

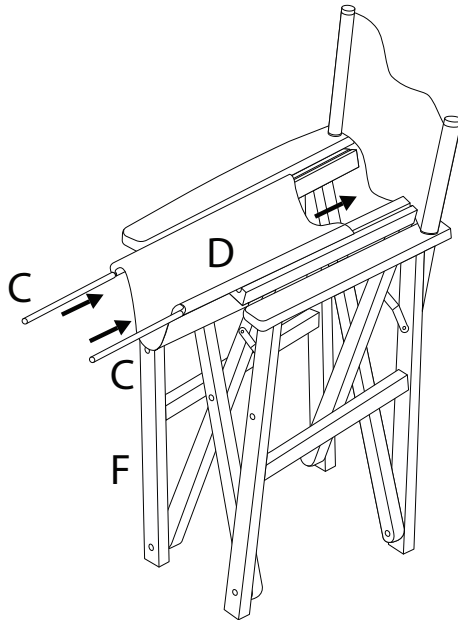
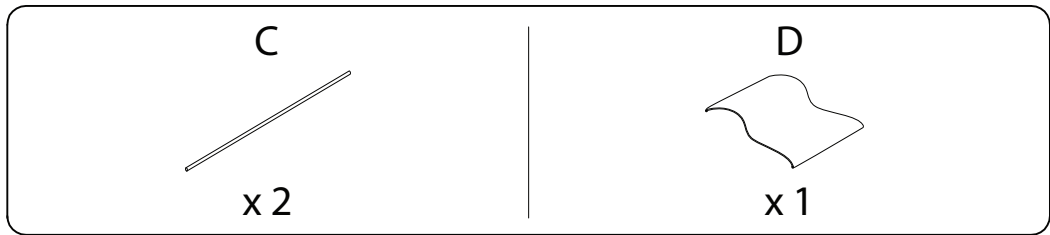


2

E
x1



3



4

