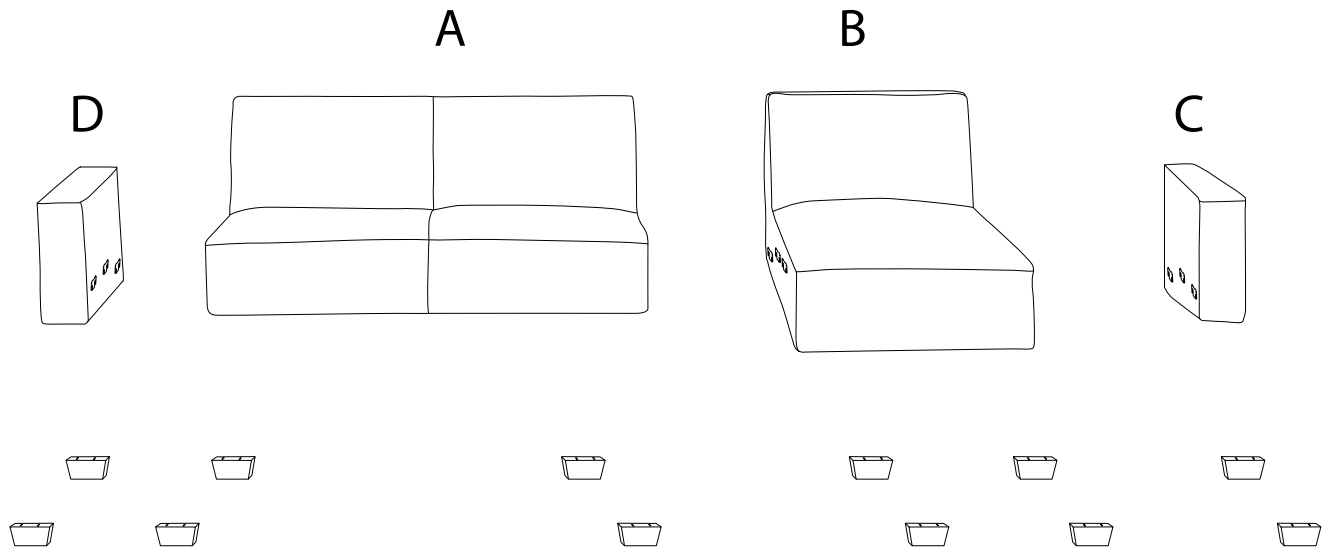
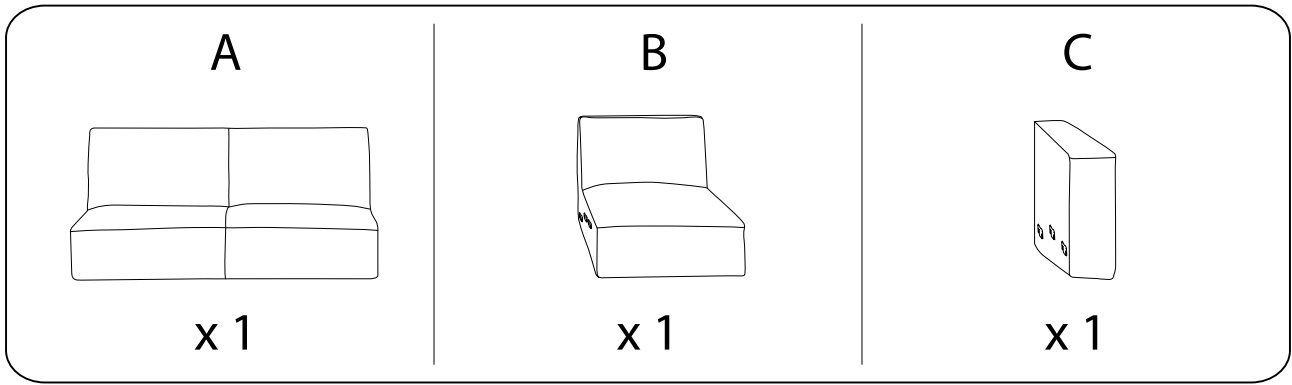


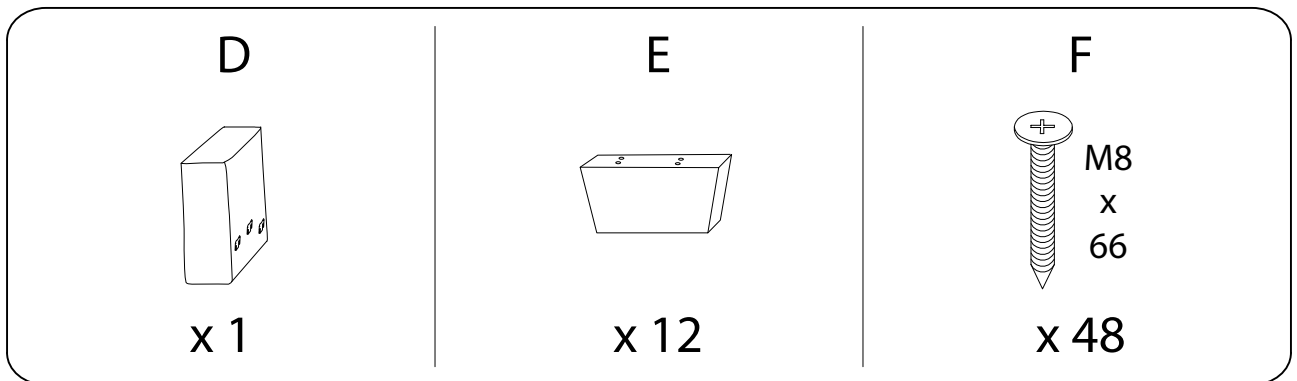
Assembly instructions for step 1/6:

- Tools:** A screwdriver is shown as the required tool. A power drill is shown with a diagonal line through it, indicating it is not to be used.
- Warning:** A warning triangle with an exclamation mark is positioned above the tool icons.
- Time:** A clock icon indicates that this step will take 30 minutes.
- Personnel:** An icon of a person indicates that one person is required for this step.

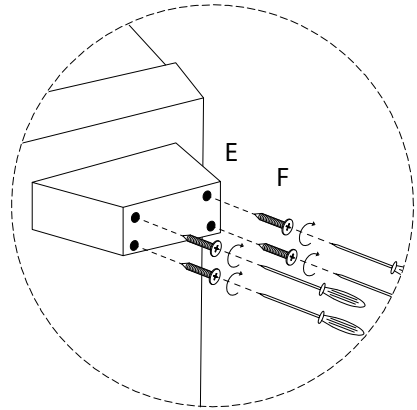
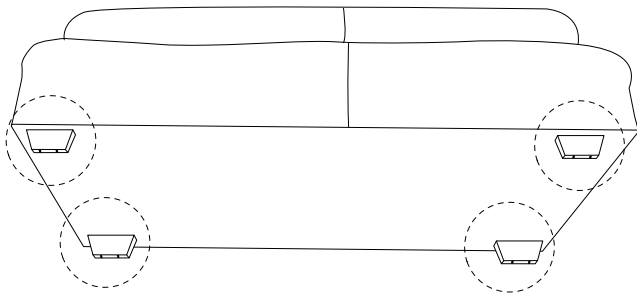
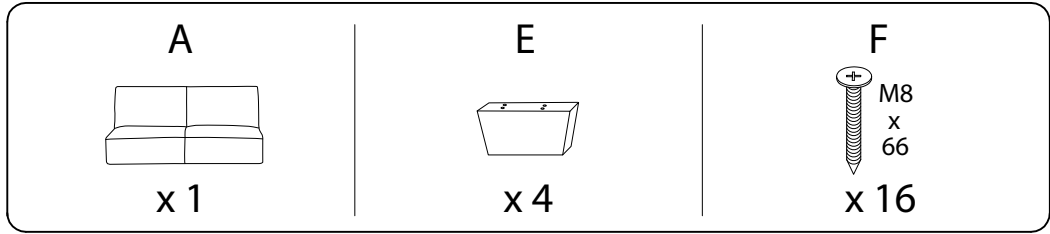
1/6



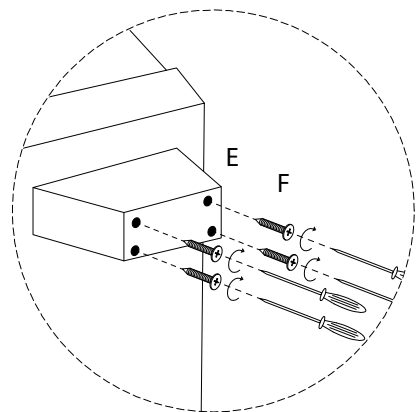
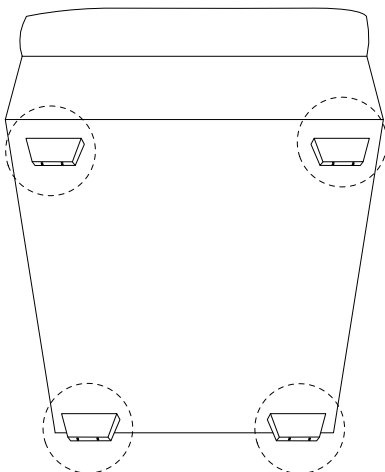
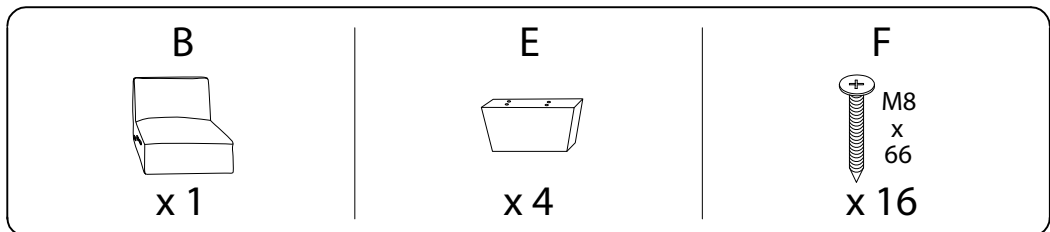
Ex 12



1

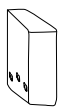


2



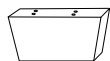
3

C



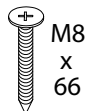
x 1

E

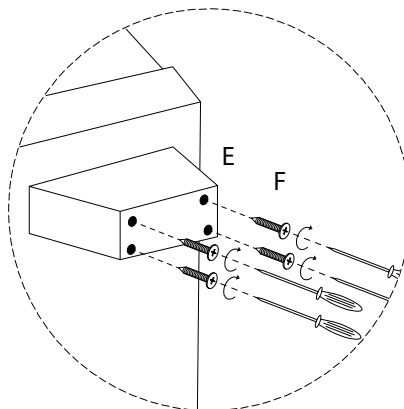
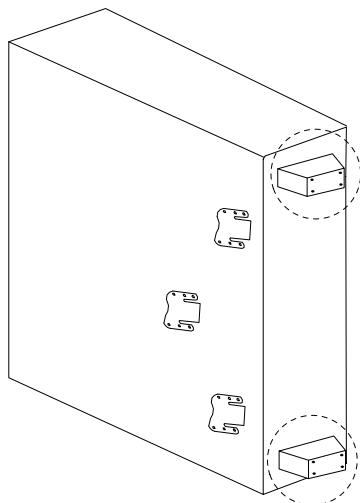


x 2

F

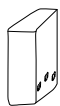


x 8



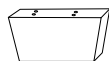
4

D



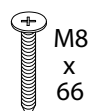
x 1

E

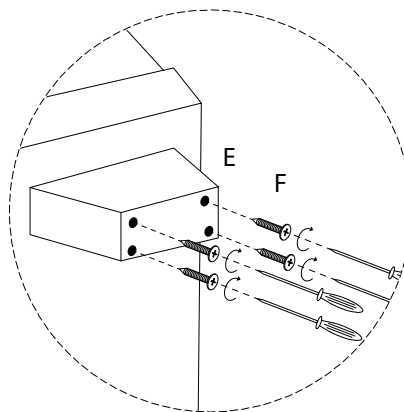
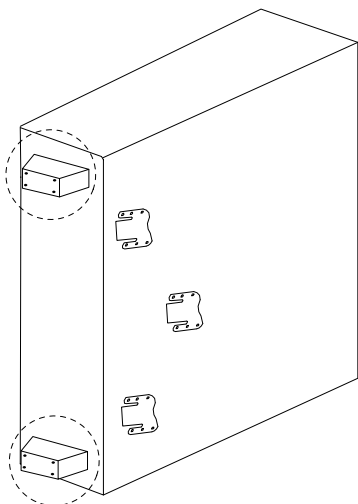


x 2

F



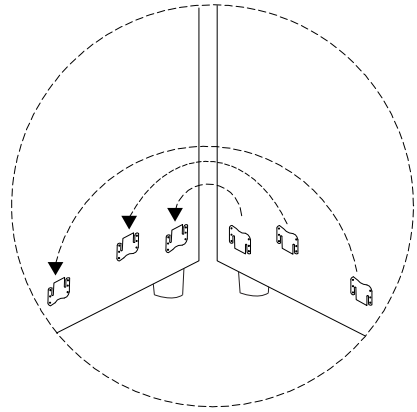
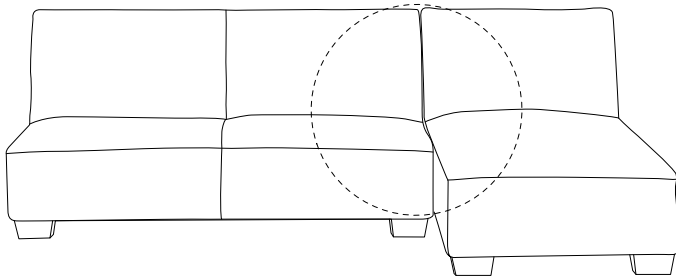
x 8



5

A

B



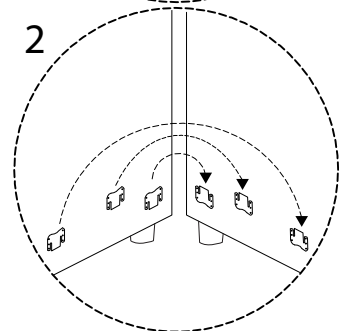
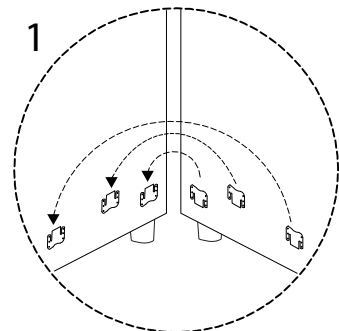
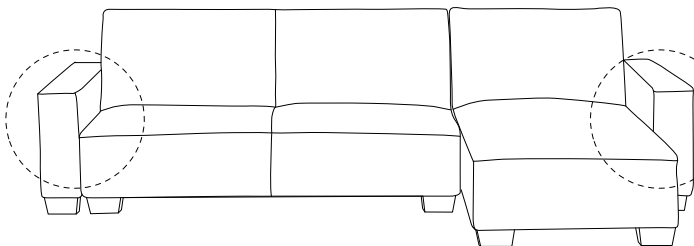
6

D

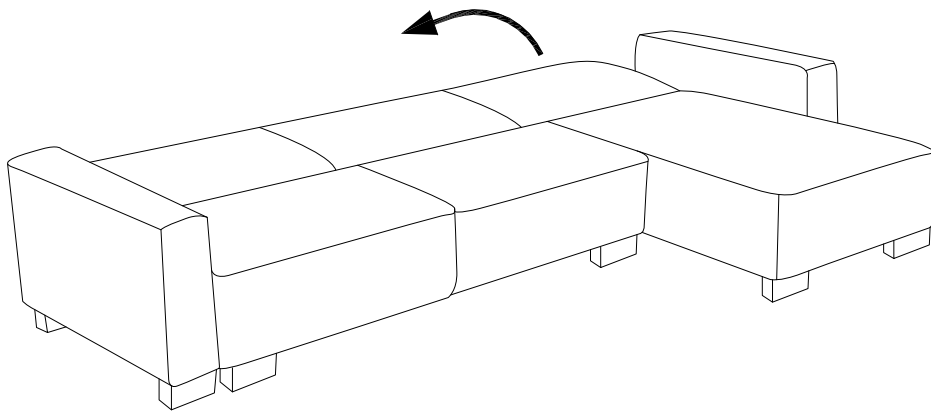
C

2

1



!



!

