

**CR6255A**  
**Mercury Turntable**  
**Instruction Manual**

---



Questions, problems or missing parts?  
Contact us on our website [www.crosleyradio.eu](http://www.crosleyradio.eu),  
[service@crosleyradio.eu](mailto:service@crosleyradio.eu) or 31 (0)306622470.  
Crosley products are distributed in Europe by:  
SF Distributions BV.  
Winthontlaan 28 unit 5  
3526 KV Utrecht  
The Netherlands  
[www.swordfishandfriend.com](http://www.swordfishandfriend.com)

## **Safety Instructions**

---

Read and understand this entire manual before using this product. Keep these instructions for future reference.

1. Do not use this product near water.
2. This product should be operated only by the type of power source indicated on the marking label or in this instruction manual.
3. Do not defeat the safety purpose of the polarized plug. A polarized plug has two blades with one blade wider than the other. This plug will fit into the power outlet only one way. If you are unable to insert the plug fully into the outlet try reversing the plug. If the plug should still fail to fit, contact your electrician.
4. Protect the power cord from being walked on or pinched particularly at plugs, convenience receptacles, and the point where they exit from the product.
5. Do not overload wall outlets, extension cords, or integral convenience receptacles as this can result in a risk of fire or electric shock.
6. Never push objects of any kind into this product through openings as they may touch dangerous voltage points or short-out parts that could result in a fire or electric shock. Never spill liquid of any kind on the product.
7. Do not attempt to service this product yourself as opening or removing covers may expose you to dangerous voltage or other hazards. Refer all servicing to qualified service personnel.
8. Changes or modifications to this unit not expressly approved by the party responsible for compliance could void the user's authority to operate the equipment.
9. Do not use attachments not recommended by the product manufacturer as they may cause hazards.
10. A product and cart combination should be moved with care. Quick stops, excessive force, and uneven surfaces may cause the product and cart combination to overturn.
11. Slots and openings in the cabinet are provided for ventilation and to ensure reliable operation of the product and to protect it from overheating. Do not block or cover these openings.
12. Unplug the product during lightning storm or when unused for long periods of time.

## Items in this package

---

Before throwing away any packaging materials, please check thoroughly and make sure you find the following items that come along with this package:

- Turntable
- 45 RPM adapter
- 3.5mm to RCA cable
- Power adaptor

Please contact Crosley customer service if there is any accessory missing from the package. **Retain the original packaging materials for exchange or return purposes.**

## Specifications

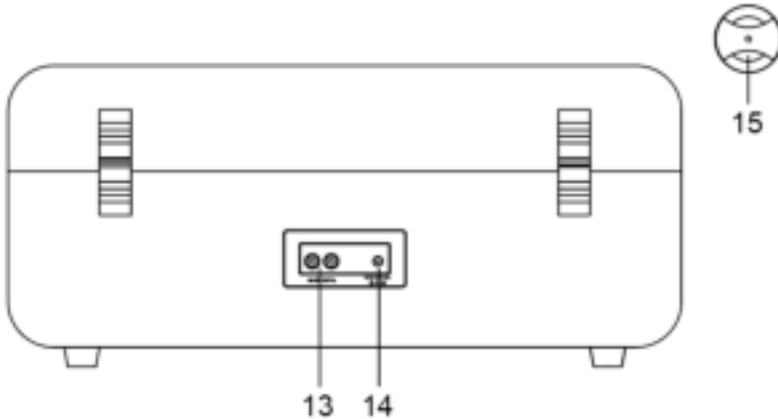
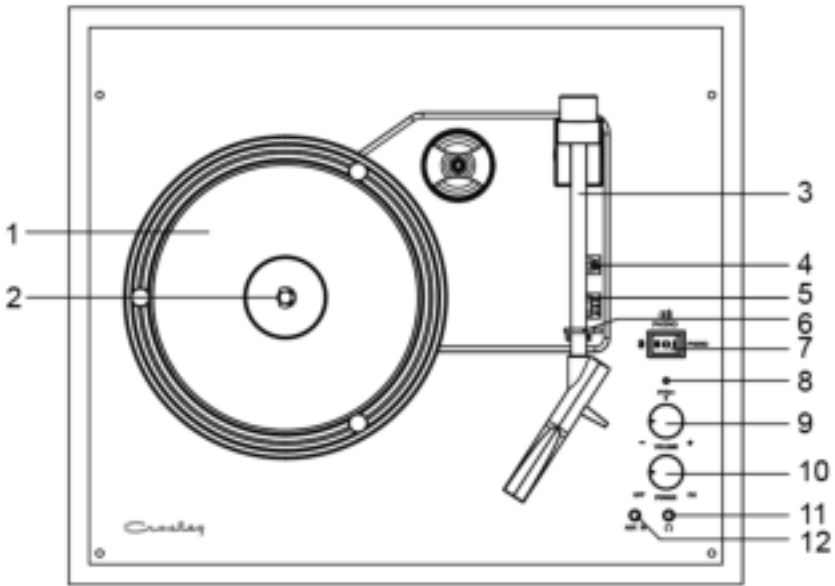
---

Power	AC power adaptor, DC output 12V 0.5 A
Power consumption	9W
Speaker	4Ω, 5W x 2
Turntable speed	33 <sup>1</sup> / <sub>3</sub> , 45, 78 RPM
Replacement needle	Crosley NP-15

*Note:*

- *Design and specifications are subject to change without notice.*
- **To help save power consumption, some models will comply with ERP energy saving standard. When there is no audio input for 20 minutes, their powers will automatically cut-off. To turn power back on and resume playing, you will need to turn off the power and turn it on again.**

## Product Description



- 1. Turntable Platter
- 2. Turntable Spindle
- 3. Tonearm
- 4. Auto-stop Switch
- 5. Speed Switch
- 6. Tonearm Clip
- 7. Function Switch
- 8. Function Indicator

- 9. Pitch Control
- 10. On/Off Volume Knob
- 11. Headphone Jack
- 12. Aux In Jack
- 13. RCA Jacks
- 14. Power Jack
- 15. 45 RPM Adapter

## Initial Setup

---

### Essential Setup

1. Place the unit on a flat and level surface. The selected location should be stable and free from vibration.
2. Remove the tie-wrap that is holding the tonearm.
3. Connect AC adaptor to the **Power Jack** of the unit.

*Note: Do not plug the AC power adaptor to power outlet before all the assembly is completed. Before turning the power on, make sure again all the connection settings are correct. Always turn off the power when connecting or disconnecting.*

## Stereo System Connection

---

### RCA Jacks

- The RCA Jacks output analog line-level signals and could be connected directly with a pair of active/powered speakers or the appropriate input of your stereo system.
- The Red plug connects with the Right channel and the White plug connects with the Left channel.

*Note: The RCA Jacks are not designed to be connected directly to the passive/unpowered speakers. If connected to the passive speakers, the volume level will be very low.*

## Aux Input Connection

---

You can connect an audio device to this unit and play your music through its speakers. To do this, connect the 3.5mm auxiliary cable between your audio device and the **Aux In Jack** of this unit and start playing the music.

*Note:*

*The aux in connection will automatically override the turntable and Bluetooth functions. To resume using the turntable or Bluetooth functions, unplug the auxiliary cable from the aux in jack.*

*The Function Indicator will be purple.*

## Bluetooth Output Operation

---

This turntable features Bluetooth output which is a device that transmits audio from this turntable to another Bluetooth device such as wireless Bluetooth headphones, Bluetooth speakers, or other Bluetooth receiving devices.

1. Place the audio device that supports Bluetooth technology as close to your turntable as possible.
2. Set the turntable's function switch to the ON position for Bluetooth output.  
*Note: The function indicator will slowly flash blue.*
3. Set the device that you would like to connect to pairing mode.
4. Your turntable will connect automatically to your audio device once they are both in pairing mode.
5. When the pairing is complete, the function indicator will be solid blue.

*Note: If pairing is unsuccessful, make sure your audio device is not paired/connected to another Bluetooth device.*

## Turntable Operation

---

1. Rotate the **On/Off Volume Knob** to turn on the power.
2. Set the Function Switch to PHONO position.  
*Note: The Function Indicator will be red*
3. Set the **Speed Switch** accordingly.
4. Place the record on the turntable. Use the **45 RPM Adapter** if necessary.
5. Remove the stylus protector from the stylus assembly.

*Note: To avoid stylus damage, make certain the included stylus guard is in place whenever the turntable is being moved or cleaned.*

6. Release the Tonearm **Clip**.  
*Note: when the turntable is not in use, remember to lock back hold down clip.*
7. Lift up the Tonearm and move it over the record where play is desired to begin. Gently put down the Tonearm and begin the playback.
8. When the record is finished playing, gently lift up the Tonearm and move it back to the Tonearm Rest. To suspend the playback, repeat the same steps.
9. Lock the Tonearm Clip to secure the tonearm.

## Platter Auto-stop

---

If the **Auto-stop Switch** is set to ON position, the platter will stop spinning automatically when the record plays to the end. In some rare occasion, if the turntable stops playing before the end of the record, set the switch to OFF position the turntable should overcome this issue.

## Pitch Control

---

The turntable speed can be increased or decreased by approximately 10% by rotating the Pitch Control Knob. To increase the speed, turn the Pitch Control Knob clockwise. To decrease the speed, turn the knob counter-clockwise.

## Needle Replacement

---

### Removing Needle

1. Gently hold both sides of the needle.
2. Gently pull the needle forward and remove.




### Installing Needle

1. Position the needle with its tip facing down.
2. Line up the back of the needle with the cartridge.
3. Push the needle back into place.



## Bluetooth Operation

---

1. Turn the **Function Switch** to Bluetooth mode   
*Note: The function indicator will be flashing blue.*
2. Turn on the Bluetooth feature of your audio device, search for “CROSLEY CR6255A” and pair.
3. Once your device is successfully paired with the unit, you will hear a short confirmation sound from the unit, and the function indicator will be blue.
4. Play and stream music from your device to the unit.

*Note: Bluetooth version – 5.1*

## Turntable Maintenance

---

1. Do not touch the stylus tip with your fingers. Avoid bumping the stylus on the turntable mat or a record's edge.
2. Clean the stylus frequently with a soft brush with a back-to-front motion only.
3. Clean the records to get rid of dust or grease with a record cleaning brush and record cleaning solution.
4. Clean the turntable lid and turntable cabinet with a slightly dampened microfiber cloth.

*Note: Do not use cleanser other than that contains alcohol, benzene or any other harsh chemicals, which might damage the paint and finish of the turntable.*

**\*\* Crosley offers a product line of different cleaning accessories. Please ask your retailer or check out our website [www.crosleyradio.com](http://www.crosleyradio.com) for more cleaning product information.**

## Troubleshooting

---

### There is no power

- Power adaptor is not connected correctly.
- No power at the power outlet.
- To help save power consumption, some models will comply with ERP energy saving standard. When there is no audio input for 20 minutes, their powers will automatically cut-off. To turn power back on and resume playing, turn off the power and turn it on again.

### Power is on, but the platter does not turn

- Turntable's drive belt has slipped off.
- An aux in cable is plugged into the aux in jack, unplug it.

### Turntable is spinning, but there is no sound, or sound not loud enough

- Stylus protector is still on.
- Tone arm is lift up by the lever.
- Headphone is plugged in.



## FCC Statements

---

This device complies with part 15 of the FCC Rules. Operation is subject to the following two conditions:

- (1) This device may not cause harmful interference, and
- (2) this device must accept any interference received, including interference that may cause undesired operation.

Note: This equipment has been tested and found to comply with the limits for a Class B digital device, pursuant to part 15 of the FCC Rules. These limits are designed to provide reasonable protection against harmful interference in a residential installation. This equipment generates, uses and can radiate radio frequency energy and, if not installed and used in accordance with the instructions, may cause harmful interference to radio communications. However, there is no guarantee that interference will not occur in a particular installation. If this equipment does cause harmful interference to radio or television reception, which can be determined by turning the equipment off and on, the user is encouraged to try to correct the interference by one or more of the following measures:

- Reorient or relocate the receiving antenna.
- Increase the separation between the equipment and receiver.
- Connect the equipment into an outlet on a circuit different from that to which the receiver is connected.
- Consult the dealer or an experienced radio/TV technician for help.

Note: The Grantee is not responsible for any changes or modifications not expressly approved by the party responsible for compliance. such modifications could void the user's authority to operate the equipment.

The device has been evaluated to meet general RF exposure requirement.

To maintain compliance with FCC's RF exposure guidelines, the distance must be at least 20 cm between the radiator and your body, and fully supported by the operating and installation configurations of the transmitter and its antenna(s).

## SIMPLIFIED EU DECLARATION OF CONFORMITY

Hereby, Modern Marketing Concepts Inc. dba Crosley Brands, declares that the radio equipment type is in compliance with Directive 2014/53/EU. The full text of the EU declaration of conformity is available at the following internet address:  
<http://crosleybrands.com/euDoC>



# CROSLEY®

## CR6255A Mercury Tocadoiscos Manual de instrucciones

---



Tiene preguntas, ha tenido problemas o hay piezas faltantes? Antes de devolver el producto a la tienda, comuníquese con nuestro Servicio al Cliente a través de [crosleyradio.eu](http://crosleyradio.eu)

Crosley se distribuye en Europa por:

SF Distributions BV.

Winthontlaan 28 unit 5

3526 KV Utrecht

Países Bajos

[www.swordfishandfriend.com](http://www.swordfishandfriend.com)

## Instrucciones de seguridad

---

Lea y comprenda este manual en su totalidad antes de usar este producto. Conserve estas instrucciones para consultarlas en el futuro.

1. No use este producto cerca del agua.
2. Este producto debe ser utilizado solo con el tipo de fuente de alimentación indicado en la etiqueta o en este manual de instrucciones.
3. No subestime el propósito de seguridad del enchufe polarizado. Un enchufe polarizado posee dos hojas; una de ellas es más ancha que la otra. Este enchufe encajará en el tomacorriente en un solo sentido. Si no logra insertar completamente el enchufe en el tomacorriente, pruebe invirtiendo el enchufe. Si aún así el enchufe no encaja, comuníquese con su electricista.
4. Proteja el cable de alimentación de ser pisado o pinzado, en especial en los enchufes, los tomacorrientes y en el punto donde el cable sale del producto.
5. No sobrecargue los tomacorrientes de pared, cables de alargue, o receptáculos integrales, ya que puede generar un riesgo de incendio o descarga eléctrica.
6. No introduzca objetos de ningún tipo en el producto a través de las ranuras, ya que pueden hacer contacto con puntos de alto voltaje o provocar un cortocircuito que ocasione fuego o una descarga eléctrica. No derrame líquidos de ningún tipo sobre el producto.
7. No intente realizar tareas de mantenimiento por su cuenta, ya que abrir o remover la cubierta puede exponerlo a un voltaje peligroso y a otros riesgos. Deje toda tarea de mantenimiento en manos de un técnico de servicio calificado.
8. Los cambios o las modificaciones que no tengan la aprobación expresa de la parte responsable del cumplimiento pueden anular el permiso del usuario para utilizar el equipo.
9. No utilice accesorios que no son recomendados por los fabricantes del producto porque pueden ser peligrosos.
10. Cualquier combinación de carro y producto debe moverse con cuidado. Las paradas súbitas, el uso de fuerza excesiva y las superficies irregulares pueden causar que el producto y el carro se vuelquen.
11. Las ranuras de ventilación y las aberturas del gabinete son provistas para la ventilación y para asegurar el correcto funcionamiento del producto y evitar el recalentamiento. No bloquee ni cubra estas aberturas.
12. Desconecte el producto durante las tormentas eléctricas o cuando no se utilice durante períodos extendidos.

## Artículos en este empaque

---

Antes de deshacerse de cualquier material del empaque, revíselo con atención y asegúrese de encontrar los siguientes artículos que se incluyen en este paquete:

- Tocabiscos
- Adaptador de 45 rpm
- Transformador

Comuníquese con el Servicio al Cliente de Crosley en caso de que faltara algún accesorio en el empaque. **Conserve el material de embalaje original para realizar cambios o devoluciones.**

## Especificaciones

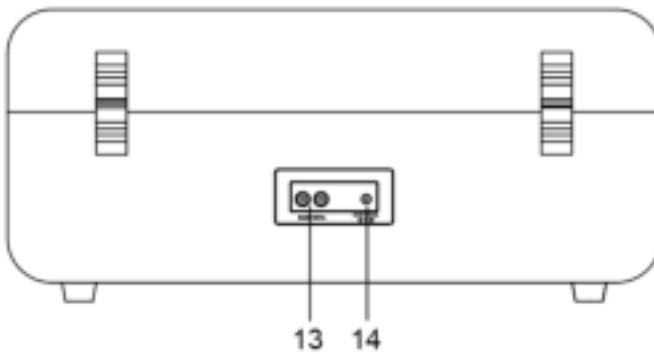
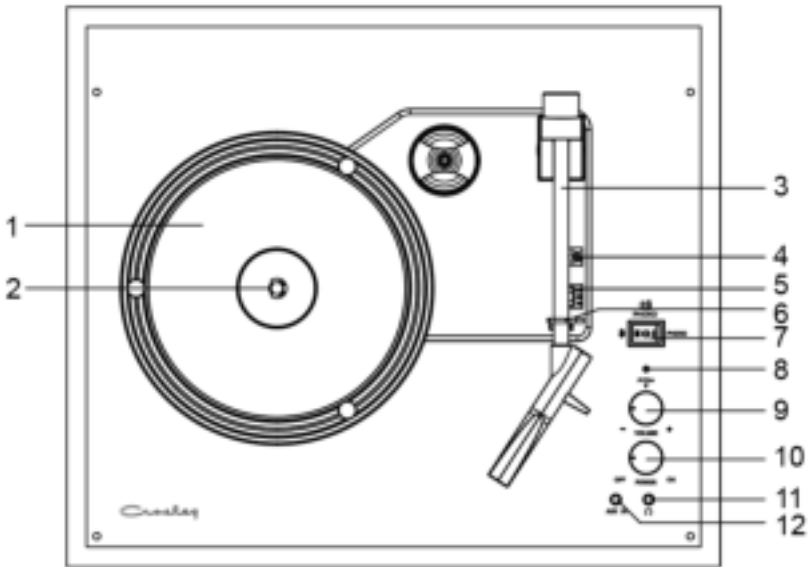
---

Fuente de energía	Transformador de CA, salida CC de 12 V 0.5 A
Consumo de energía	9 W
Potencia del altavoz	4Ω, 5W x 2
Altavoz	33 <sup>1</sup> / <sub>3</sub> , 45, 78 RPM
Aguja de repuesto	Crosley NP-15

Nota:

- *El diseño y las especificaciones están sujetos a cambios sin previo aviso.*
- **Con el fin de ahorrar en el consumo de energía, algunos modelos cumplirán con el estándar de ahorro de energía ERP (productos relacionados con la energía). En el caso de que no se produzca la entrada de audio durante 20 minutos, estos equipos se desactivarán automáticamente. Para volver a encenderlos y reanudar la reproducción, deberá apagar la unidad primero y luego volver a encenderla.**

## Descripción del producto



- |  |                                  |
|--|----------------------------------|
| 1. Bandeja del tocadiscos              | 9. Control de tono               |
| 2. Eje del tocadiscos                  | 10. Perilla de volumen           |
| 3. Brazo del tocadiscos                | Encendido/Apagado                |
| 4. Interruptor de detención automática | 11. Conector de auriculares      |
| 5. Interruptor de velocidad            | 12. Conector de entrada auxiliar |
| 6. Broche de sujeción                  | 13. Conectores RCA               |
| 7. Interruptor de funciones            | 14. Conector de alimentación     |
| 8. Indicador de función                | 15. Adaptador de 45 rpm          |

## Instalación inicial

---

### Instalación indispensable

1. Coloque la unidad en una superficie plana y nivelada. El lugar seleccionado debe ser estable y estar libre de vibraciones.
2. Quite la banda de sujeción que sostiene el brazo del tocadiscos.
3. Conecte el adaptador de CA al conector de alimentación de la unidad.

*Nota: No enchufe el transformador de CA a un tomacorriente hasta terminar de ensamblar las partes. Antes de encender el equipo, vuelva a asegurarse de que todos los ajustes de conexión estén correctos. Siempre apague la unidad al conectarla o desconectarla.*

## Conexión del sistema estéreo

---

### Conectores RCA

- Los conectores RCA generan señales analógicas de nivel de línea y se pueden conectar directamente con un par de parlantes activos o en la entrada correspondiente de su sistema estéreo.
- El cable rojo se conecta en el canal derecho, y el cable blanco se conecta en el canal izquierdo.

*Nota: Los conectores RCA no están diseñados para conectarse directamente a parlantes pasivos. Si se los conecta a parlantes pasivos, el nivel de volumen será muy bajo.*

## Conexión de entrada auxiliar

---

Puede conectar un dispositivo de audio a esta unidad y reproducir su música a través de los parlantes. Para hacerlo, conecte el cable auxiliar de 3.5 mm entre su dispositivo de audio y el **Conector de entrada auxiliar** de esta unidad y comience a reproducir la música.

*Nota: La conexión de entrada auxiliar invalidará automáticamente la función tocadiscos o Bluetooth. Para volver a utilizar la función tocadiscos o Bluetooth, desconecte el cable auxiliar del conector de entrada auxiliar.*

*El Indicador de función será morado.*

## Operación de salida Bluetooth

---

Este tocadiscos cuenta con salida Bluetooth, que es un dispositivo que transmite audio desde este tocadiscos a otro dispositivo Bluetooth, como audífonos Bluetooth inalámbricos, altavoces Bluetooth u otros dispositivos receptores Bluetooth.

1. Coloque el dispositivo de audio compatible con la tecnología Bluetooth lo más cerca posible de su tocadiscos.
2. Coloque el interruptor de función del tocadiscos en la posición ENCENDIDO para la salida Bluetooth.

*Nota: El indicador de función parpadeará lentamente en azul.*

3. Establezca el dispositivo que desea conectar al modo de emparejamiento.
4. El tocadiscos se conectará automáticamente al dispositivo de audio una vez que ambos estén en modo de emparejamiento.
5. Cuando el emparejamiento haya finalizado, el indicador de función permanecerá en color azul sólido.

*Nota: Si el emparejamiento no es exitoso, asegúrese de que su dispositivo de audio no esté emparejado/conectado a otro dispositivo Bluetooth.*

## Funcionamiento del tocadiscos

---

1. Gire la **Perilla de volumen encendido/apagado** para encenderlo.
2. Ajuste el Interruptor de funciones a la posición FONO.  
*Nota: El Indicador de función será rojo.*
3. Ajuste el **Interruptor de velocidad** según corresponda.
4. Coloque el disco en el tocadiscos. De ser necesario, utilice el **Adaptador de 45 rpm**.

5. Quite el protector de la aguja fonográfica de su ensamblaje.

*Nota: Para evitar los daños de la aguja fonográfica, asegúrese de que el protector esté ubicado correctamente cada vez que mueva o limpie el tocadiscos.*

6. Suelte el **Broche de sujeción** del tocadiscos.

*Nota: Cuando el tocadiscos no se utilice, recuerde volver a trabar el broche de sujeción.*

7. Levante el brazo y muévelo sobre el lugar del disco que desea comenzar a reproducir. Baje el brazo con cuidado y comience la reproducción.
8. Cuando el disco termine de reproducirse, con cuidado levante el brazo y muévelo hacia su soporte. Para suspender la reproducción, siga los mismos pasos.
9. Trabe el Broche del brazo del tocadiscos para asegurarlo.

## Detención automática de la bandeja

---

Si el **Interruptor de detención automática** se encuentra en la posición ENCENDIDO, la bandeja dejará de girar automáticamente cuando el disco termine de reproducirse. En raras ocasiones, si el tocadiscos deja de reproducir el disco antes de que termine, ajuste el interruptor a la posición APAGADO. El problema se debería solucionar de esta manera.

## Control de tono

---

La velocidad de la plataforma puede ser aumentado o disminuido en aproximadamente un 10% girando el botón de control de tono. Para aumentar la velocidad, gire la perilla de control de Pitch las agujas del reloj. Para disminuir la velocidad, gire el mando en sentido antihorario.

## Reemplazo de la aguja

---

### Quitar la aguja

1. Sostenga suavemente ambos lados de la aguja.
2. Tire suavemente de la aguja hacia adelante y extráigala.



### Instalar la aguja


1. Coloque la aguja con la punta hacia abajo.
2. Alinee la parte posterior de la aguja con el cartucho.
3. Vuelva a colocar la aguja en su lugar.





## Funcionamiento de Bluetooth

---

1. Coloque la **perilla de funciones** en modo Bluetooth .  
*Nota: El Indicador de función parpadeará en azul.*
2. Active la conexión de Bluetooth en el dispositivo de audio, busque “CROSLEY CR6255A” y conéctelo.
3. Una vez que el dispositivo quede conectado correctamente, la unidad emitirá un sonido corto de confirmación, y el indicador de función será azul.
4. Reproduzca música en forma inalámbrica desde el dispositivo hacia la unidad.

*Nota: Versión de Bluetooth – 5.1*

## Mantenimiento del tocadiscos

---

1. No toque la punta de la aguja fonográfica con los dedos. Evite golpear la aguja fonográfica con el cobertor para el tocadiscos o con el borde del disco.
2. Limpie la aguja fonográfica con frecuencia con un cepillo suave mediante movimientos de atrás hacia adelante.
3. Limpie los discos para quitarles el polvo o la grasa con un cepillo para limpiar discos y con una solución de limpieza para discos.
4. Limpie la tapa del tocadiscos y el gabinete con un paño de microfibras ligeramente humedecido.

*Nota: No utilice otros limpiadores que contengan alcohol, benceno o cualquier otro químico agresivo que pueda dañar la pintura y la terminación del tocadiscos.*

**\*\* Crosley ofrece una línea de productos de distintos accesorios de limpieza. Para obtener más información acerca de los productos de limpieza, consulte a un comerciante o visite nuestro sitio web [www.crosleyradio.com](http://www.crosleyradio.com).**

## **Solución de problemas**

---

### **La unidad no enciende.**

- El transformador no está conectado correctamente.
- No hay energía en el tomacorriente.
- Con el fin de ahorrar en el consumo de energía, algunos modelos cumplirán con el estándar de ahorro de energía ERP (productos relacionados con la energía). En el caso de que no se produzca la entrada de audio durante 20 minutos, estos equipos se desactivarán automáticamente. Para volver a encender la unidad y reanudar la reproducción, apáguela y vuelva a encenderla.

### **El equipo está encendido pero la bandeja no gira.**

- Se ha salido la correa de transmisión del tocadiscos.
- Un cable de entrada auxiliar está conectado en el conector de entrada auxiliar. Desconéctelo.

### **El tocadiscos gira pero no emite sonidos o los sonidos no son lo suficientemente fuertes.**

- El protector de la aguja fonográfica aún está colocado.
- La palanca levanta el brazo del tocadiscos.
- Los auriculares están conectados.

## Declaraciones de la FCC

Este dispositivo cumple con la Sección 15 de las reglas de la Comisión Federal de Comunicaciones (FCC). El uso de este equipo está sujeto a las dos condiciones siguientes:

- (1) Este dispositivo no causa interferencia perjudicial y
- (2) este dispositivo debe aceptar cualquier interferencia recibida, incluso interferencia que pueda causar un funcionamiento no deseado.

Nota: Este equipo se verificó y se comprobó que cumple con los límites para un dispositivo digital clase B, conforme a la Sección 15 de las reglas de la Comisión Federal de Comunicaciones (FCC). Estos límites están diseñados para brindar una protección razonable frente a interferencia perjudicial en un establecimiento residencial. Este equipo genera, usa y puede irradiar energía de radiofrecuencia y, si no se instala y utiliza siguiendo las instrucciones, puede causar interferencia perjudicial a las radiocomunicaciones. Sin embargo, no existe garantía de que la interferencia no ocurrirá en una instalación en particular. Si este equipo causa interferencia perjudicial a las radiocomunicaciones o a la recepción televisiva, lo que se puede determinar al encender y apagar el equipo, se recomienda que el usuario intente corregir la interferencia mediante una o más de las siguientes medidas:

- Reorientar o reubicar la antena de recepción.
- Aumentar la separación entre el equipo y el receptor.
- Conectar el equipo a una toma en un circuito diferente del circuito en el que está conectado el receptor.
- Consultar al proveedor o a un técnico con experiencia en radio/TV para obtener ayuda.

Nota: El Beneficiario no es responsable de cualquier cambio o modificación que no tenga la aprobación expresa de la parte responsable del cumplimiento. Estas modificaciones podrían anular la autoridad del usuario para operar el equipo.

El dispositivo ha sido evaluado para cumplir con el requisito general de exposición a RF. Para mantener el cumplimiento de las pautas de exposición a RF de la FCC, la distancia debe ser de al menos 20 cm entre el radiador y su cuerpo, y debe estar totalmente soportada por las configuraciones de instalación y operación del transmisor y su(s) antena(s).

### DECLARACIÓN DE CONFORMIDAD SIMPLIFICADA DE EU

Por la presente, Modern Marketing Concepts Inc., que opera bajo la denominación comercial de Crosley Brands, declara que el tipo de equipo de radio cumple con la Directiva 2014/53/UE. El texto completo de la declaración de conformidad de la UE está disponible en la siguiente dirección de Internet:  
<http://crosleybrands.com/euDoC>



# **CROSLLEY®**

## **CR6255A**

### **Platine tourne-disque Mercury**

### **Manuel d'utilisation**

---



Questions, problèmes, pièces manquantes?  
Avant de retourner au magasin, appelez le service client sur  
[www.crosleyradio.eu](http://www.crosleyradio.eu),  
[service@crosleyradio.eu](mailto:service@crosleyradio.eu) ou +31 (0) 306622470.

Crosley est distribué en Europe par:  
SF Distributions BV.  
Winthontlaan 28 unit 5  
3526 KV Utrecht  
les Pays-Bas  
[www.swordfishandfriend.com](http://www.swordfishandfriend.com)

## Instructions de sécurité

---

Veillez lire et comprendre l'intégralité de ce manuel avant d'utiliser ce produit. Conservez ces instructions pour pouvoir les consulter ultérieurement.

1. Ne pas utiliser ce produit près de l'eau.
2. Ce produit doit être alimenté uniquement par le type de source d'alimentation indiqué sur l'étiquette ou dans le présent manuel d'utilisation.
3. Ne pas tenter de modifier le dispositif de sécurité que constitue la fiche polarisée. Une fiche polarisée a deux lames, l'une étant plus large que l'autre. Cette fiche peut être insérée dans une prise électrique d'une seule façon. S'il est impossible d'insérer la fiche complètement dans la prise, inverser la fiche. Si la fiche ne peut toujours pas s'insérer entièrement, contacter un électricien.
4. Faire en sorte que personne ne marche sur le cordon d'alimentation ou que ce dernier ne soit pas pincé, notamment au niveau des fiches, des prises murales et du point de sortie du produit.
5. Ne pas surcharger les prises murales, cordons de rallonge ou prises de courant intégrales, car cela pourrait entraîner un risque d'incendie ou de décharge électrique.
6. Ne jamais pousser d'objets, quelle que soit leur nature, dans les ouvertures, car ils pourraient toucher des points de tension dangereux ou court-circuiter des pièces, ce qui pourrait entraîner un incendie ou une décharge électrique. Ne jamais renverser de liquide, quelle qu'en soit la nature, sur le produit.
7. Ne pas tenter de réparer ce produit vous-même, car couvrir ou ôter des couvercles pourrait vous exposer à une tension dangereuse ou à d'autres dangers. Faire appel à une personne qualifiée pour toutes les réparations.
8. Les changements ou les modifications non approuvés expressément par la partie responsable de la conformité pourraient annuler le droit de l'utilisateur de faire fonctionner le matériel.
9. Ne pas utiliser d'accessoires non recommandés par le fabricant du produit, car ils pourraient causer des dommages.
10. Il est important de déplacer avec prudence le produit s'il se trouve sur un chariot. Les arrêts brusques, une force excessive et les surfaces inégales peuvent entraîner le retournement du produit sur un chariot.
11. Des fentes et ouvertures sont présentes dans le boîtier pour la ventilation, pour assurer un fonctionnement fiable du produit et pour le protéger d'une surchauffe. Ne pas bloquer ou couvrir ces ouvertures.
12. Débrancher le produit pendant un orage ou lorsqu'il est inutilisé pendant une période prolongée.

---

## Contenu de la trousse

---

Avant de jeter les emballages, veuillez les passer en revue minutieusement et vérifier que vous avez les éléments suivants fournis dans cette trousse :

- Tourne-disque
- Adaptateur 45 tours
- Câble de 3,5 mm à RCA
- Adaptateur d'alimentation

Veuillez contacter le service à la clientèle de Crosley s'il manque des accessoires dans la trousse. **Conservez les emballages d'origine pour procéder à un échange ou à un retour.**

---

## Spécifications

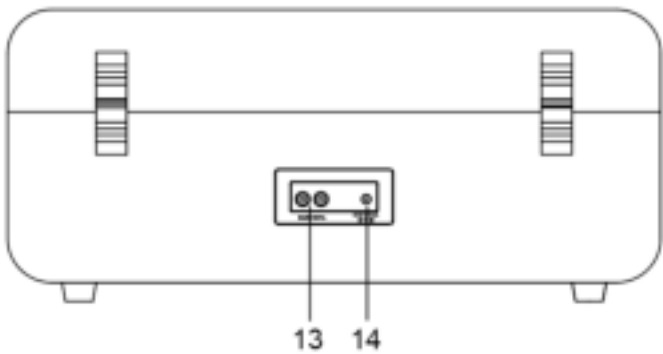
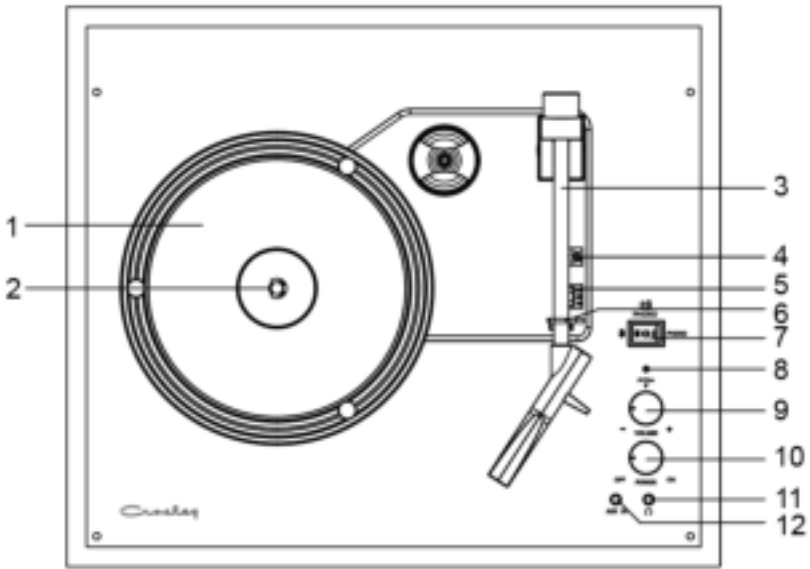
---

Alimentation	Adaptateur c.a., sortie c.c. 12 V 0.5 A
Consommation électrique	9 W
Haut-parleur	4Ω, 5W x 2
Vitesse du tourne-disque	33 <sup>1</sup> / <sub>3</sub> , 45, 78 T/M
Aiguille de rechange	Crosley NP-15

Remarque :

- *La conception et les spécifications sont sujettes à modification sans préavis.*
- **Pour contribuer à économiser de l'énergie, certains modèles se conformeront à la norme d'économie d'énergie ERP (Energy-Related Products). En l'absence d'entrée audio pendant 20 minutes, l'alimentation se coupera automatiquement. Pour rétablir l'alimentation en courant et reprendre la lecture, vous devrez éteindre l'appareil puis le rallumer.**

## Description du produit



- |                                    |                                |
|------------------------------------|--------------------------------|
| 1. Plateau du tourne-disque        | 8. Voyant de fonction          |
| 2. Broche du tourne-disque         | 9. Variateur de vitesse        |
| 3. Bras de lecture                 | 10. Bouton ON/OFF du volume    |
| 4. Commutateur d'arrêt automatique | 11. Prise pour casque d'écoute |
| 5. Sélecteur de vitesse            | 12. Prise d'entrée aux         |
| 6. Attache de retenue              | 13. Prises RCA                 |
| 7. Sélecteur de fonction           | 14. Prise d'alimentation       |
|                                    | 15. Adaptateur 45 tours        |

## Configuration initiale

---

### Configuration de base

1. Placez l'appareil sur une surface plane. L'emplacement choisi doit être stable et sans vibration.
2. Retirez l'attache qui retient le bras de lecture.
3. Branchez l'adaptateur c.a. à la prise d'alimentation de l'appareil.

*Remarque : Ne branchez pas l'adaptateur c.a. à la prise avant la fin du montage. Avant d'allumer l'appareil, vérifiez à nouveau que tous les paramètres des branchements sont corrects. Mettez toujours l'appareil hors tension lorsque vous effectuez ou supprimez des branchements.*

## Branchement du système stéréo

---

### Prises RCA

- Les prises RCA émettent des signaux de niveau de ligne analogique et peuvent être connectées directement avec une paire de haut-parleurs actifs/sous tension ou l'entrée appropriée de votre système stéréo.
- La prise rouge se branche sur le canal droit et la prise blanche se branche sur le canal gauche.

*Remarque : Les prises RCA ne sont pas conçues pour être branchées directement aux haut-parleurs passifs/qui ne sont pas sous tension. Si elles sont branchées aux haut-parleurs passifs, le niveau du volume sera très bas.*

## Branchement de l'entrée Aux

---

Vous pouvez brancher un périphérique audio à cet appareil afin d'écouter de la musique avec vos écouteurs. Pour cela, branchez le câble auxiliaire 3,5 mm entre votre périphérique audio et la **prise d'entrée Aux** de cet appareil et commencez à écouter de la musique.

*Remarque :*

*La prise d'entrée Aux ignorera automatiquement les fonctions tourne-disque ou Bluetooth. Pour utiliser à nouveau les fonctions tourne-disque ou Bluetooth, débranchez le câble auxiliaire de la prise d'entrée Aux.*

*Le voyant FM sera violet.*



## Fonctionnement de la sortie Bluetooth

---

Ce tourne-disque est doté d'une sortie Bluetooth qui transmet l'audio de ce tourne-disque à un autre appareil Bluetooth comme un casque sans fil, des haut-parleurs ou d'autres appareils de réception Bluetooth.

1. Placez l'appareil audio qui prend en charge la technologie Bluetooth aussi près que possible de votre tourne-disque.
2. Réglez le sélecteur de fonction du tourne-disque à la position du ON (MARCHE) pour la sortie Bluetooth.  
*Remarque : Le voyant de fonction clignote lentement en bleu.*
3. Réglez l'appareil que vous souhaitez connecter au mode de jumelage.
4. Votre tourne-disque se connectera automatiquement à votre appareil audio une fois qu'ils seront en mode de jumelage.
5. Une fois le jumelage terminé, le voyant de fonction devient bleu fixe.

*Remarque : Si le jumelage échoue, assurez-vous que votre appareil audio n'est pas jumelé ou connecté à un autre appareil Bluetooth.*

## Utilisation du tourne-disque

---

1. Tournez le **bouton On/Off du volume** pour mettre l'appareil sous tension.
2. Mettez le sélecteur de fonction en position PHONO (PHONO).  
*Remarque : Le voyant FM sera rouge.*
3. Réglez le **sélecteur de vitesse** en conséquence.
4. Placez le disque sur le tourne-disque. Utilisez l'**adaptateur 45 tours** si besoin.
5. Retirez la protection du stylet de son assemblage.  
*Remarque : Pour éviter d'endommager le stylet, vérifiez que la protection intégrée du stylet est bien en place lorsque vous déplacez ou nettoyez le tourne-disque.*
6. Relâchez l'**attache de retenue** du bras de lecture.  
*Remarque : Lorsque vous n'utilisez pas le tourne-disque, n'oubliez pas de verrouiller à nouveau l'attache de retenue.*
7. Soulever le bras de lecture et placez-le au-dessus du disque, là où vous souhaitez commencer la lecture. Reposez doucement le bras de lecture et commencez la lecture.
8. Lorsque la lecture du disque est terminée, soulevez doucement le bras de lecture et remettez-le sur le support du bras de lecture. Pour interrompre la lecture, répétez les mêmes étapes.
9. Verrouillez l'attache du bras de lecture pour retenir le bras de lecture.

## Arrêt automatique du plateau

Si le **sélecteur d'arrêt automatique** est en position ON (MARCHE), le plateau s'arrêtera automatiquement de tourner lorsque la lecture du disque sera terminée. Dans quelques rares occasions, si le tourne-disque s'arrête de lire avant la fin du disque, positionnez le sélecteur sur OFF (ARRÊT) : le tourne-disque devrait surmonter ce problème.

## Variateur de vitesse

Il est possible d'augmenter ou de réduire la vitesse du tourne-disque d'environ 10 % en tournant le bouton de réglage de vitesse. Pour augmenter la vitesse, tournez le bouton de réglage de vitesse dans le sens horaire. Pour réduire la vitesse, tournez la molette de réglage de vitesse dans le sens anti-horaire.

## Remplacement de l'aiguille

### Retrait de l'aiguille

1. Tenez doucement les deux côtés de l'aiguille.
2. Tirez doucement l'aiguille vers l'avant et retirez-la.




### Installation de l'aiguille

1. Positionnez l'aiguille avec la pointe vers le bas.
2. Alignez l'arrière de l'aiguille avec la cartouche.
3. Remettez l'aiguille en place.



## Utilisation du Bluetooth

---

1. Mettez le **Sélecteur de fonction** sur le mode Bluetooth   
*Remarque : L'indicateur de fonction clignote en bleu.*
2. Activez la fonction Bluetooth de votre appareil audio, recherchez « CROSLEY CR6255A » et associez l'appareil.
3. Une fois votre appareil associé à l'unité, celle-ci émettra un bref son de confirmation, et l'indicateur de fonction sera bleu.
4. Lire et diffuser de la musique en continu de votre appareil sur l'unité.  
*Remarque : Versions de Bluetooth – 5.1*

## Entretien du tourne-disque

---

1. Ne pas toucher l'extrémité du stylet avec vos doigts. Éviter de cogner le stylet sur le tapis du tourne-disque ou le bord du disque.
2. Nettoyer souvent le stylet avec une brosse douce dans un mouvement d'arrière vers l'avant uniquement.
3. Nettoyer les disques pour retirer la poussière ou la graisse avec une brosse de nettoyage pour disque et une solution nettoyante pour disque.
4. Nettoyer le couvercle du tourne-disque et le boîtier du tourne-disque avec un chiffon microfibre légèrement humide.

*Remarque : Ne pas utiliser d'autre nettoyant contenant de l'alcool, du benzène ou tout autre produit chimique nocif qui pourrait endommager la peinture et la finition du tourne-disque.*

**\*\* Crosley propose toute une gamme d'accessoires de nettoyage. Veuillez contacter votre détaillant ou consulter notre site Web [www.crosleyradio.com](http://www.crosleyradio.com) pour obtenir plus d'informations sur les produits de nettoyage.**

## Dépannage

---

### L'appareil ne s'allume pas

- L'adaptateur d'alimentation n'est pas branché correctement.
- Aucune alimentation au niveau de la prise électrique.
- Pour contribuer à économiser de l'énergie, certains modèles se conformeront à la norme d'économie d'énergie ERP (Energy-Related Products). En l'absence d'entrée audio pendant 20 minutes, l'alimentation se coupera automatiquement. Pour rétablir l'alimentation en courant et reprendre la lecture, éteignez l'appareil puis rallumez-le.

### **L'appareil est allumé, mais le plateau ne tourne pas**

- La courroie d'entraînement du tourne-disque a glissé.
- Un câble d'entrée Aux est branché à la prise d'entrée Aux, débranchez-le.

### **Le tourne-disque tourne, mais il n'y a pas de son ou le son n'est pas suffisamment fort.**

- La protection du stylet n'a pas été enlevée.
- Le bras de lecture est soulevé par le levier.
- Le casque d'écoute est branché.

## **Déclarations relatives à la FCC**

Cet appareil est conforme à la partie 15 des règles de la FCC. Son fonctionnement est assujéti aux deux conditions suivantes :

- (1) Cet appareil ne peut causer des interférences nuisibles et
- (2) cet appareil doit accepter toute interférence reçue, y compris celles susceptibles de causer un fonctionnement indésirable.

Remarque : Ce matériel a été testé et jugé en conformité avec les limites pour un appareil numérique de Classe B, conformément à la partie 15 des règles de la FCC. Ces limites ont été établies pour offrir une protection raisonnable contre l'interférence nuisible dans une installation résidentielle. Cet appareil produit, utilise et peut émettre de l'énergie de fréquence radio et, s'il n'est pas installé et utilisé conformément aux instructions, il peut provoquer de l'interférence nuisible aux communications radio. Toutefois, il n'existe aucune garantie qu'il n'y aura pas d'interférence dans une installation particulière. Si ce matériel cause de l'interférence nuisible à la réception radio ou de télévision, qui peut être déterminée en allumant et en éteignant le matériel, il est conseillé à l'utilisateur de tenter de remédier à l'interférence par l'un ou plusieurs des moyens suivants :

- Réorienter ou déplacer l'antenne de réception.
- Augmenter la distance entre le matériel et le récepteur.
- Brancher le matériel à une prise sur un circuit différent de celui du récepteur.
- Consulter le détaillant ou un technicien de radios ou de téléviseurs qualifié pour obtenir de l'aide.

Remarque : Le concessionnaire n'est pas responsable des modifications qui ne sont pas expressément approuvées par la partie responsable de la conformité. De telles modifications pourraient annuler l'autorité de l'utilisateur à utiliser l'équipement. L'appareil a été évalué pour respecter les exigences générales en matière d'exposition aux RF.

Pour assurer la conformité aux directives de la FCC en matière d'exposition aux radiofréquences, la distance doit être d'au moins 20 cm entre le radiateur et votre corps et être entièrement soutenue par les configurations de fonctionnement et d'installation de l'émetteur et de ses antennes.

## **DÉCLARATION DE CONFORMITÉ DE L'EU SIMPLIFIÉE**

Par la présente, Modern Marketing Concepts Inc. dba Crosley Brands déclare que le type d'équipement radio est conforme à la directive 2014/53/UE. Le texte intégral de la déclaration de conformité de l'UE est accessible à l'adresse Internet suivante.  
<http://crosleybrands.com/euDoC>



# **CROSLEY®**

## **CR6255A** **Mercury-Plattenspieler** **Gebrauchsanleitung**

---



Fragen, Probleme oder fehlende Teile? Kontaktieren Sie uns über unsere Webseite [www.crosleyradio.eu](http://www.crosleyradio.eu), [service@crosleyradio.eu](mailto:service@crosleyradio.eu) oder 31 (0) 306622470. Crosley-Produkte werden in Europa vertrieben von:

SF Distributions BV.  
Winthontlaan 28 unit 5  
3526 KV Utrecht  
Die Niederlande  
[www.swordfishandfriend.com](http://www.swordfishandfriend.com)

## Sicherheitshinweise

---

Lesen Sie diese Gebrauchsanleitung vollständig durch, bevor Sie das Produkt verwenden. Bewahren Sie diese Anweisungen zum späteren Nachschlagen auf.

1. Verwenden Sie dieses Produkt nicht in der Nähe von Wasser.
2. Dieses Produkt darf nur mit der auf dem Typenschild oder in dieser Gebrauchsanleitung angegebenen Stromquelle betrieben werden.
3. Umgehen Sie nicht den Sicherheitszweck des gepolten Steckers. Ein gepolter Stecker hat zwei Zungen, wobei eine Zunge breiter ist als die andere. Dieser Stecker passt nur in einer Richtung in die Steckdose. Wenn Sie den Stecker nicht vollständig in die Steckdose stecken können, versuchen Sie, den Stecker zu drehen. Sollte der Stecker dennoch nicht passen, wenden Sie sich an Ihren Elektriker.
4. Schützen Sie das Netzkabel davor, dass man darauf tritt oder es eingeklemmt wird, insbesondere an Steckern, Steckdosen und an der Stelle, an der es aus dem Gerät austritt.
5. Überlasten Sie weder Wandsteckdosen, Verlängerungskabel oder integrierte Steckdosen, da dies zu Brand- oder Stromschlaggefahr führen kann.
6. Stecken Sie niemals Gegenstände jeglicher Art durch die Öffnungen in das Gerät, da sie gefährliche Spannungspunkte berühren oder Teile kurzschließen könnten, was zu einem Brand oder Stromschlag führen könnte. Verschütten Sie keine Flüssigkeiten auf das Produkt.
7. Versuchen Sie nicht, das Gerät selbst zu warten, da Sie sich beim Öffnen oder Entfernen von Abdeckungen gefährlichen Spannungen oder anderen Gefahren aussetzen könnten. Überlassen Sie alle Wartungsarbeiten qualifiziertem Servicepersonal.
8. Änderungen oder Modifikationen an diesem Gerät, die nicht ausdrücklich von der für die Einhaltung der Vorschriften verantwortlichen Stelle genehmigt wurden, können dazu führen, dass der Benutzer die Berechtigung zum Betrieb des Geräts verliert.
9. Verwenden Sie keine Anbauteile, die nicht vom Hersteller des Produkts empfohlen werden, da sie Gefahren verursachen können.
10. Eine Kombination aus Produkt und Wagen sollte mit Vorsicht bewegt werden. Schnelles Anhalten, übermäßige Kraft und unebene Oberflächen können dazu führen, dass die Kombination aus Produkt und Wagen umkippt.
11. Die Schlitze und Öffnungen im Gehäuse dienen der Belüftung und gewährleisten einen zuverlässigen Betrieb des Produkts und schützen es vor Überhitzung. Diese Öffnungen dürfen nicht blockiert oder abgedeckt werden.
12. Ziehen Sie bei Gewitter oder wenn Sie das Gerät für längere Zeit nicht benutzen den Netzstecker aus der Steckdose.

## Artikel in diesem Paket

---

Bevor Sie das Verpackungsmaterial wegwerfen, überprüfen Sie bitte gründlich, ob Sie die folgenden Gegenstände vorfinden, die diesem Paket beiliegen:

- Plattenspieler
- 45-U/min-Adapter
- 3,5-mm-zu-Cinch-Kabel
- Netzteil

Bitte wenden Sie sich an den Crosley-Kundendienst, wenn ein Zubehörteil in der Verpackung fehlt. **Bewahren Sie das Original-Verpackungsmaterial für Umtausch- oder Rückgabezwecke auf.**

## Technische Daten

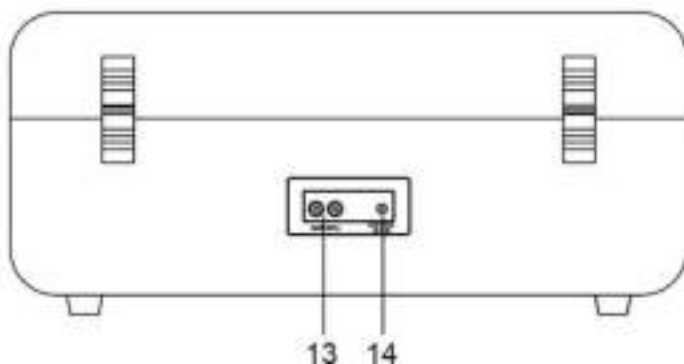
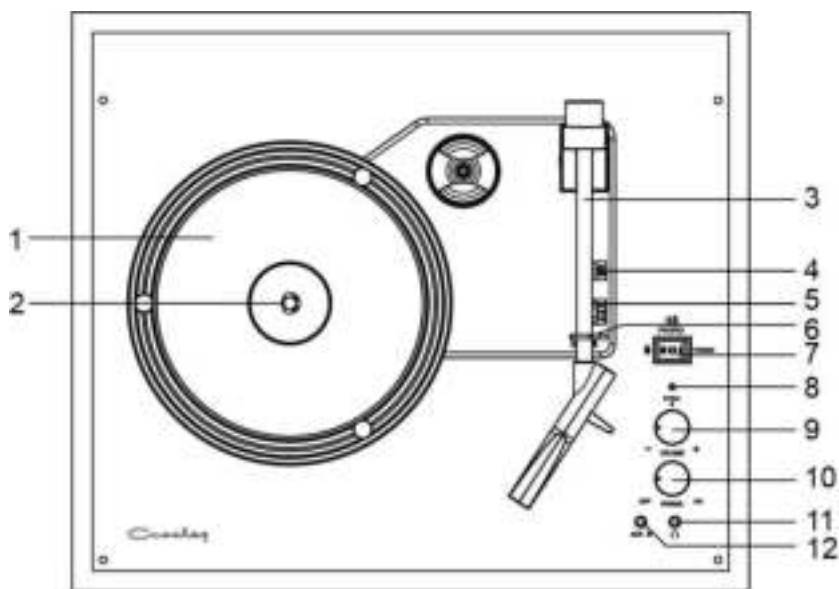
---

Stromversorgung	Wechselstrom-Netzteil, Gleichstromausgabe 12 V, 0,5 A
Leistungsaufnahme	9 W
Lautsprecher	4 $\Omega$ , 5 W x 2
Plattentellergeschwindigkeit	33 <sup>1</sup> / <sub>3</sub> , 45, 78 U/Min.
Ersatznadel	Crosley NP-15

*Hinweis:*

- *Design und Spezifikationen können ohne Ankündigung Anpassungen unterliegen.*
- **Um den Stromverbrauch zu senken, entsprechen einige Modelle dem ERP-Energiesparstandard. Wenn 20 Minuten lang keine Audioeingabe erfolgt, wird die Stromversorgung automatisch abgeschaltet. Um die Stromversorgung wieder einzuschalten und die Wiedergabe fortzusetzen, müssen Sie das Gerät aus- und wieder einschalten.**

## Produktbeschreibung



- |   |  |
|---|--|
| <ul style="list-style-type: none"> <li>1. Plattenteller</li> <li>2. Plattentellerspindel</li> <li>3. Tonarm</li> <li>4. Auto-Stopp-Schalter</li> <li>5. Geschwindigkeitsschalter</li> <li>6. Tonarmklemme</li> <li>7. Funktionsschalter</li> <li>8. Funktionsanzeige</li> </ul> | <ul style="list-style-type: none"> <li>9. Tonhöhenregelung</li> <li>10. Ein-/Aus-/Lautstärkedrehknopf</li> <li>11. Kopfhöreranschluss</li> <li>12. Aux-In-Buchse</li> <li>13. Cinch-Buchsen</li> <li>14. Stromanschluss</li> <li>15. 45-U/Min-Adapter</li> </ul> |
|---|--|



## Erstaufbau

---

### Essentieller Aufbau

1. Stellen Sie das Gerät auf eine flache und ebene Oberfläche. Der gewählte Standort sollte stabil und vibrationsfrei sein.
2. Entfernen Sie die Kabelbinder, die den Tonarm halten.
3. Verbinden Sie den Wechselstromadapter mit dem **Stromanschluss** des Geräts.

*Hinweis: Stecken Sie den Wechselstromadapter erst dann in die Steckdose, wenn die Montage abgeschlossen ist. Vergewissern Sie sich vor dem Einschalten des Geräts noch einmal, dass alle Anschlusseinstellungen korrekt sind. Schalten Sie das Gerät immer aus, wenn sie den Strom anlegen oder wegnehmen.*

## Stereoanlagenanschluss

---

### Cinch-Buchsen

- Die Cinch-Buchsen geben analoge Line-Pegel-Signale aus und können direkt mit zwei Aktivlautsprechern oder dem entsprechenden Eingang Ihrer Stereoanlage verbunden werden.
- Der rote Stecker wird mit dem rechten Kanal und der weiße Stecker mit dem linken Kanal verbunden.

*Hinweis: Die Cinch-Buchsen sind nicht für den direkten Anschluss von passiven/stromlosen Lautsprechern vorgesehen. Bei Anschluss an die passiven Lautsprecher ist die Lautstärke sehr gering.*

## Anschluss Aux-Eingang

---

Sie können ein Audiogerät an dieses Gerät anschließen und Ihre Musik über die Lautsprecher wiedergeben. Schließen Sie dazu das 3,5-mm-Aux-Kabel zwischen Ihrem Audiogerät und der **Aux-Eingangsbuchse** dieses Geräts an und starten Sie die Musikwiedergabe.

*Hinweis:*

*Der Aux-In-Anschluss hat automatisch Vorrang vor der Plattenspieler- und Bluetooth-Funktion. Um die Plattenspieler- oder Bluetooth-Funktionen wieder nutzen zu können, ziehen Sie das Aux-Kabel aus der Aux-In-Buchse. Die Funktionsanzeige leuchtet lila.*

## Betrieb des Bluetooth-Ausgangs

---

Dieser Plattenspieler verfügt über einen Bluetooth-Ausgang, der den Ton von diesem Plattenspieler an ein anderes Bluetooth-Gerät wie einen drahtlosen Bluetooth-Kopfhörer, Bluetooth-Lautsprecher oder ein anderes Bluetooth-Empfangsgerät überträgt.

1. Stellen Sie das Audiogerät, das die Bluetooth-Technologie unterstützt, so nah wie möglich an Ihren Plattenspieler.
2. Stellen Sie den Funktionsschalter des Plattenspielers auf die Position ON für die Bluetooth-Ausgabe.  
*Hinweis: Die Funktionsanzeige blinkt langsam blau.*
3. Schalten Sie das Gerät, das Sie verbinden möchten, in den Pairing-Modus.
4. Ihr Plattenspieler verbindet sich automatisch mit Ihrem Audiogerät, sobald sich beide Geräte im Pairing-Modus befinden.
5. Wenn die Kopplung abgeschlossen ist, leuchtet die Funktionsanzeige durchgehend blau.

*Hinweis: Wenn die Kopplung nicht erfolgreich ist, stellen Sie sicher, dass Ihr Audiogerät nicht mit einem anderen Bluetooth-Gerät gekoppelt/verbunden ist.*

## Plattentellerbetrieb

---

1. Drehen Sie den **Ein-/Aus-/Lautstärkeregl**er, um das Gerät einzuschalten.
2. Setzen Sie den Funktionsschalter in die Position PHONO.  
*Hinweis: Die Funktionsanzeige leuchtet rot.*
3. Stellen Sie den **Geschwindigkeitsschalter** entsprechend ein.
4. Legen Sie die Schallplatte auf den Plattenteller. Verwenden Sie bei Bedarf den **45-U/Min-Adapter** .
5. Nehmen Sie den Schutz für die Abtastnadel vom Tonabnehmerkopf ab.  
*Hinweis: Um eine Beschädigung der Abtastnadel zu vermeiden, stellen Sie sicher, dass der mitgelieferte Abtastnadelschutz angebracht ist, wenn der Plattenspieler bewegt oder gereinigt wird.*
6. Lösen Sie die **Tonarmklemme**.  
*Hinweis: Wenn der Plattenspieler nicht benutzt wird, denken Sie daran, die Klemme wieder zu schließen.*
7. Heben Sie den Tonarm an und bewegen Sie ihn über die Platte, deren Wiedergabe beginnen soll. Setzen Sie den Tonarm vorsichtig ab und starten Sie die Wiedergabe.
8. Wenn die Schallplatte fertig abgespielt ist, heben Sie den Tonarm vorsichtig an und schieben ihn zurück auf die Tonarmstütze. Um die Wiedergabe zu unterbrechen, wiederholen Sie die gleichen Schritte.
9. Verriegeln Sie die Tonarmklemme, um den Tonarm zu sichern.

## **Plattenteller Auto-Stopp**

---

Wenn der **Auto-Stopp-Schalter** auf ON gestellt ist, hört der Plattenteller automatisch auf, sich zu drehen, wenn die Platte zu Ende abgespielt wurde. In seltenen Fällen kann es vorkommen, dass der Plattenspieler aufhört zu spielen, bevor die Platte zu Ende ist, wenn Sie den Schalter auf OFF stellen.

## Tonhöhensteuerung

---

Die Geschwindigkeit des Plattentellers kann durch Drehen des Tonhöhenknopfes um ca. 10% erhöht oder verringert werden. Um die Geschwindigkeit zu erhöhen, drehen Sie den Tonhöhenknopf im Uhrzeigersinn. Um die Geschwindigkeit zu verringern, drehen Sie den Knopf gegen den Uhrzeigersinn.

## Austausch der Nadel

---

### Entfernen der Nadel

1. Halten Sie beide Seiten der Nadel vorsichtig fest.
2. Ziehen Sie die Nadel vorsichtig nach vorne und nehmen Sie sie ab.




### Nadel einsetzen

1. Positionieren Sie die Nadel mit der Spitze nach unten.
2. Richten Sie die Rückseite der Nadel auf die Haltekartusche aus.
3. Schieben Sie die Nadel wieder in ihre Position.



## Bluetooth-Betrieb

---

1. Schalten Sie den **Funktionsschalter** in den Bluetooth-Modus   
*Hinweis: Die Funktionsanzeige blinkt blau.*
2. Schalten Sie die Bluetooth-Funktion Ihres Audiogeräts ein, suchen Sie nach „CROSLEY CR6255A“ und koppeln Sie es.
3. Sobald Ihr Gerät erfolgreich mit dem Gerät gekoppelt wurde, hören Sie einen kurzen Bestätigungston vom Gerät, und die Funktionsanzeige leuchtet blau.
4. Von Ihrem Gerät spielen und streamen Sie Musik auf das andere Gerät.  
*Hinweis: Bluetooth-Version - 5.1*

## Plattenspielerwartung

---

1. Berühren Sie den Tonabnehmer nicht mit Ihren Fingern. Vermeiden Sie es, mit der Abtastnadel gegen die Matte des Plattenspielers oder die Kante einer Schallplatte zu stoßen.
2. Reinigen Sie die Abtastnadel regelmäßig mit einer weichen Bürste, indem Sie sie ausschließlich von hinten nach vorne bewegen.
3. Reinigen Sie die Schallplatten mit einer Schallplattenreinigungsbürste und Schallplattenreinigungslösung, um sie von Staub und Fett zu befreien.
4. Reinigen Sie den Plattenspielerdeckel und das Plattenspielergehäuse mit einem leicht angefeuchteten Mikrofasertuch.

*Hinweis: Verwenden Sie keine anderen Reinigungsmittel, die Alkohol, Benzol oder andere scharfe Chemikalien enthalten, die den Lack und die Oberfläche des Plattenspielers beschädigen könnten.*

**\*\* Crosley bietet eine Produktlinie mit unterschiedlichem Reinigungszubehör an. Bitte fragen Sie Ihren Fachhändler oder besuchen Sie unsere Website [www.crosleyradio.com](http://www.crosleyradio.com) für weitere Informationen zu Reinigungsprodukten.**

## Fehlersuche

---

### Es liegt kein Strom an

- Das Netzteil ist nicht richtig angeschlossen.
- Kein Strom an der Steckdose.
- Um den Stromverbrauch zu senken, entsprechen einige Modelle dem ERP-Energiesparstandard. Wenn 20 Minuten lang keine Audioeingabe erfolgt, wird die Stromversorgung automatisch abgeschaltet. Um die Stromversorgung wieder einzuschalten und die Wiedergabe fortzusetzen, schalten Sie das Gerät aus und wieder ein.

### Der Strom ist eingeschaltet, aber der Plattenteller dreht sich nicht

- Der Antriebsriemen des Plattentellers ist abgerutscht.
- Ein Aux-In-Kabel ist in die Aux-In-Buchse eingesteckt; ziehen Sie es ab.

### Der Plattenspieler dreht sich, aber es ist kein Ton zu hören, oder der Ton ist nicht laut genug

- Die Schutzkappe des Tonabnehmers ist noch vorhanden.
- Der Tonarm wird mit dem Hebel angehoben.
- Der Kopfhörer ist eingesteckt.

## FCC-Erklärungen

---

Dieses Gerät erfüllt die Anforderungen von Teil 15 der FCC-Vorschriften. Der Betrieb unterliegt den folgenden zwei Bedingungen:

- (1) Dieses Gerät darf keine schädlichen Störungen verursachen, und
- (2) dieses Gerät muss alle empfangenen Interferenzen aushalten, einschließlich Interferenzen, die einen unerwünschten Betrieb verursachen können.

Hinweis: Dieses Gerät wurde getestet und entspricht den Grenzwerten für ein digitales Gerät der Klasse B gemäß Teil 15 der FCC-Vorschriften. Diese Grenzwerte sind so ausgelegt, dass sie einen angemessenen Schutz gegen schädliche Störungen in einer Wohnanlage bieten. Dieses Gerät erzeugt und verwendet Hochfrequenzenergie und kann diese ausstrahlen. Wenn es nicht gemäß den Anweisungen installiert und verwendet wird, kann es schädliche Störungen des Funkverkehrs verursachen. Es kann jedoch nicht garantiert werden, dass bei einer bestimmten Installation keine Störungen auftreten. Wenn dieses Gerät den Radio- oder Fernsehempfang stört, was durch Aus- und Einschalten des Geräts festgestellt werden kann, sollte der Benutzer versuchen, die Störung durch eine oder mehrere der folgenden Maßnahmen zu beheben:

- Empfangsantenne neu ausrichten oder neu platzieren.
- Vergrößern Sie den Abstand zwischen dem Gerät und dem Empfänger.
- Schließen Sie das Gerät an eine Steckdose an, die nicht mit dem Stromkreis verbunden ist, an den der Empfänger angeschlossen ist.
- Wenden Sie sich an den Händler oder einen erfahrenen Radio-/Fernsehtechniker, um Hilfe zu erhalten.

Hinweis: Der Aussteller ist nicht verantwortlich für Änderungen oder Modifikationen, die nicht ausdrücklich von der für die Einhaltung der Vorschriften verantwortlichen Partei genehmigt wurden. Solche Änderungen können dazu führen, dass der Benutzer die Berechtigung zum Betrieb des Geräts verliert.

Das Gerät wurde so bewertet, dass es die allgemeinen HF-Expositionsanforderungen erfüllt. Um die FCC-Richtlinien zur HF-Exposition einzuhalten, muss der Abstand zwischen der Strahlungsquelle und Ihrem Körper mindestens 20 cm betragen und durch die Betriebs- und Installationskonfigurationen des Senders und seiner Antenne(n) vollständig unterstützt werden.

### VEREINFACHTE EU-KONFORMITÄTSERKLÄRUNG

Hiermit erklärt Modern Marketing Concepts Inc. dba Crosley Brands, dass der Funkgerätetyp der Richtlinie 2014/53/EU entspricht. Der vollständige Text der EU-Konformitätserklärung ist unter folgender Internetadresse abrufbar:  
<http://crosleybrands.com/euDoC>



# ~~CROSLEY~~<sup>®</sup>

## CR6255A Manuale d'Istruzioni Giradischi Mercury

---



Domande, problemi, componenti mancanti?  
Contattaci sul nostro sito [www.crosleyradio.eu](http://www.crosleyradio.eu), invia una email all'indirizzo  
[service@crosleyradio.eu](mailto:service@crosleyradio.eu) oppure chiama allo 31 (0) 306622470. I prodotti

Crosley sono distribuiti in Europa dalla:

SF Distributions BV.  
Winthontlaan 28 unit 5  
3526 KV Utrecht,  
Paesi Bassi

[www.swordfishandfriend.com](http://www.swordfishandfriend.com)

## Istruzioni di sicurezza

---

Leggi e comprendi l'intero manuale prima di utilizzare il prodotto. Conserva queste istruzioni per poterle consultare in futuro.

1. Non utilizzare questo prodotto vicino all'acqua.
2. Questo prodotto dovrebbe essere alimentato solo dal tipo di fonte di alimentazione indicata sull'etichetta di marcatura o in questo manuale di istruzioni.
3. Non vanificare lo scopo di sicurezza della spina polarizzata. Una spina polarizzata ha due lame, una più larga dell'altra. Questa spina si inserisce nella presa di corrente in un unico modo. Se non è possibile inserire completamente la spina nella presa, provare a invertire la spina. Se la spina non dovesse ancora inserirsi, contatta il tuo elettricista.
4. Proteggi il cavo di alimentazione dall'essere calpestato o schiacciato, in particolare in corrispondenza delle spine, delle prese e del punto in cui esce dal prodotto.
5. Non sovraccaricare le prese a muro, le prolunghe o le prese integrali, poiché ciò può comportare un rischio di incendio o di scosse elettriche.
6. Non spingere mai oggetti di qualsiasi tipo all'interno del prodotto attraverso le aperture perché potrebbero toccare punti di tensione pericolosi o mandare in cortocircuito parti provocando un incendio o scosse elettriche. Non versare mai liquidi di nessun tipo sul prodotto.
7. Non tentare di riparare questo prodotto da solo poiché l'apertura o la rimozione dei coperchi può esporre a tensioni pericolose o a altri rischi. Rivolgiti al personale qualificato per la manutenzione.
8. Cambiamenti o modifiche a questa unità non espressamente approvati dalla parte responsabile della conformità potrebbero annullare la capacità dell'utente di utilizzare il dispositivo.
9. Non utilizzare accessori non raccomandati dal produttore del prodotto in quanto possono provocare pericoli.
10. Prodotto e carrello dovrebbero essere spostati insieme con cura. Arresti bruschi, l'applicazione di una forza eccessiva e superfici irregolari possono far cadere il prodotto dal carrello.
11. Le fessure e le aperture nel cabinet servono a garantire la ventilazione e per assicurare un funzionamento affidabile del prodotto, nonché per proteggerlo dal surriscaldamento. Non ostruire o coprire tali aperture.
12. Scollega il prodotto durante i temporali o quando non viene utilizzato per lunghi periodi di tempo.



## Articoli presenti nella confezione

---

Prima di buttare via qualsiasi materiale d'imballaggio, controlla bene e verifica di aver trovato i seguenti componenti nella confezione:

- Giradischi
- Adattatore 45 GIRI/MIN
- Cavo RCA da 3,5 mm
- Alimentatore di Corrente

Qualora vi siano accessori mancanti nella confezione, invitiamo a contattare l'Assistenza Clienti della Crosley. **Conserva i materiali di imballaggio originali per lo scambio o la restituzione.**

## Specifiche tecniche

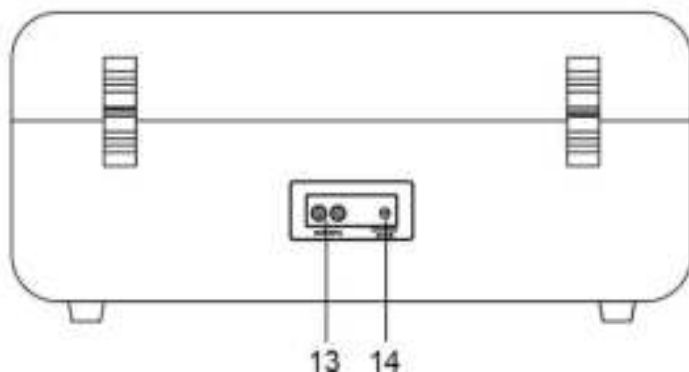
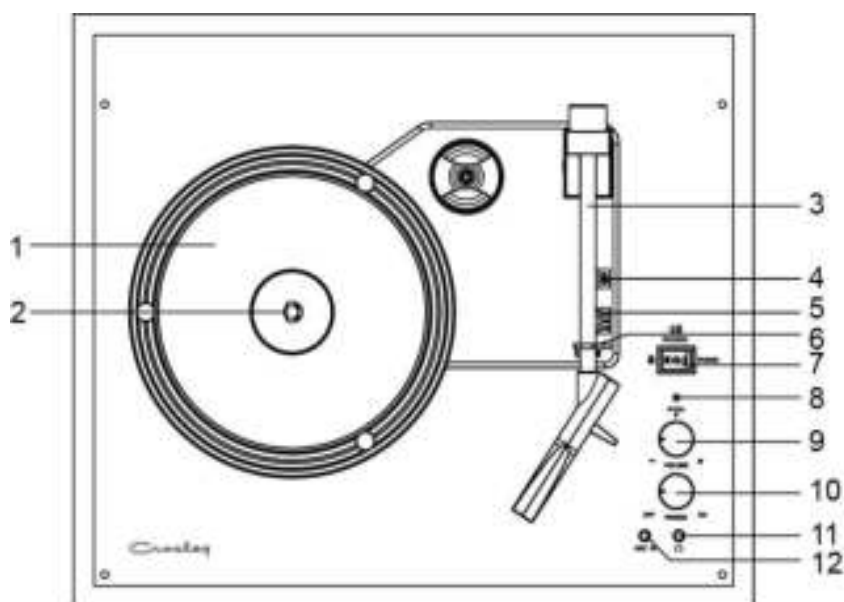
---

Alimentazione	Adattatore di corrente CA, uscita CC 12V 0.5A
Consumo di corrente	9W
Altoparlante	4Ω, 5W x 2
Velocità del giradischi	33 <sub>1/3</sub> , 45, 78 RPM
Puntina sostitutiva	Crosley NP-15

*Nota:*

- *Il design e le specifiche sono soggetti a cambiamenti senza preavviso.*
- **Per contribuire al risparmio energetico, alcuni modelli sono conformi allo standard di risparmio energetico ERP. Qualora non vi sia ingresso audio per 20 minuti, l'alimentazione del dispositivo verrà disattivata. Per riattivare il dispositivo e riprendere la riproduzione sarà necessario spegnere l'interruttore e riaccenderlo.**

## Descrizione del Prodotto



1. Piatto del giradischi
2. Perno del giradischi
3. Braccio
4. Interruttore di arresto automatico
5. Interruttore di velocità
6. Clip del braccio
7. Selettore di Funzione
8. Indicatore di Funzione

9. Controllo del Beccheggio
10. Manopola del volume On/Off
11. Cavo per le cuffie
12. Cavo Aux in
13. Cavi RCA
14. Cavo di alimentazione
15. Adattatore 45 GIRI/MIN

## Configurazione iniziale

---

### Configurazione essenziale

1. Posiziona l'unità su una superficie piana e livellata. La posizione scelta dovrebbe essere stabile e priva di vibrazioni.
2. Rimuovi la fascetta presente sul braccio.
3. Collega l'adattatore AC al **cavo di alimentazione** del dispositivo.

*Nota: Non collegare l'adattatore di alimentazione AC alla presa di corrente prima di aver completato il montaggio. Prima di accendere, verifica ancora che tutte le impostazioni di connessione siano state configurate nella maniera corretta. Spegni sempre l'alimentazione quando colleghi o scollegi l'apparecchio.*

## Collegamento dell'impianto stereo

---

### Cavi RCA

- Gli spinotti RCA emettono dei segnali di linea analogici e potrebbero essere collegati direttamente a una coppia di altoparlanti attivi o all'ingresso adeguato del proprio impianto audio.
- La spina rossa si collega al canale destro, quella bianca al canale sinistro.

*Nota: Gli spinotti RCA non sono stati progettati per essere collegati direttamente agli altoparlanti passivi/non alimentati. Se il dispositivo è collegato ad altoparlanti passivi, il livello di volume sarà molto basso.*

## Collegamento Ingresso Aux

---

Sarà possibile collegare un dispositivo audio a questo dispositivo e riprodurre la musica attraverso i suoi altoparlanti. Per eseguire questa operazione, collega il cavo ausiliario da 3,5 mm dal dispositivo audio alla **Presa Aux in** del dispositivo, poi avvia la riproduzione.

*Nota:*

*La connessione Aux in prevarrà in automatico sulle funzioni del giradischi e del Bluetooth. Per riprendere a utilizzare le funzioni giradischi o Bluetooth scollega il cavo ausiliario dalla presa Aux in.*

*L'indicatore di funzione diventerà viola.*

## Funzionamento dell'uscita Bluetooth

---

Questo giradischi è dotato di uscita Bluetooth, un meccanismo che consente la trasmissione dell'audio da questo giradischi a un altro dispositivo Bluetooth come, per esempio, cuffie Bluetooth wireless, altoparlanti Bluetooth o altri dispositivi di ricezione Bluetooth.

1. Posiziona il dispositivo audio che supporta la tecnologia Bluetooth il più vicino possibile al giradischi.
2. Imposta l'Interruttore di Funzione del giradischi sulla posizione ON per l'uscita Bluetooth.

*Nota: L'indicatore di funzione lampeggerà lentamente di blu.*

3. Imposta il dispositivo che si desidera connettere in modalità di abbinamento.
4. Il giradischi si abbinerà in automatico al dispositivo audio quando entrambi saranno in modalità di abbinamento.
5. Al termine dell'abbinamento, l'Indicatore di Funzione diventerà di colore blu fisso.

*Nota: Se l'abbinamento non riesce, verificare che il dispositivo audio non sia già abbinato/connesso ad altro dispositivo Bluetooth.*

## Funzionamento del giradischi

---

1. Ruota la **Manopola del volume On/Off** per accendere il dispositivo.
2. Imposta il Selettore Funzione in posizione PHONO.
3. Imposta l'**interruttore di velocità** di conseguenza.
4. Metti il disco sul giradischi. Usa l'**Adattatore 45 GIRI/MIN**, se necessario.
5. Rimuovi la protezione della puntina dal gruppo della puntina.

*Nota: Per evitare di danneggiare la puntina, assicurati che la protezione inclusa della puntina sia in posizione ogni volta che il giradischi viene spostato o pulito.*

6. Rilascia la **Clip** del Braccio.
- Nota: quando il giradischi non è in uso, ricordati di bloccare la clip di bloccaggio.*
7. Solleva il braccio e spostalo sul disco nel punto in cui si desidera avviare la riproduzione. Appoggia delicatamente il braccio e avviare la riproduzione.
8. Quando la riproduzione del disco arriva alla fine, solleva delicatamente il braccio e spostarlo fino al punto di riposo del braccio. Per sospendere la riproduzione, ripeti gli stessi step.
9. Blocca la clip di bloccaggio del braccio per fissare il braccio.

## Arresto automatico del piatto

---

Se l'**Interruttore di arresto automatico** è impostato su ON, il piatto smetterà di girare in automatico quando il disco sarà stato riprodotto fino alla fine.

Raramente, se il giradischi smette di suonare prima della fine del disco, imposta l'interruttore sulla posizione OFF, e il giradischi dovrebbe superare il problema.

## Controllo del beccheggio

Sarà possibile aumentare o ridurre la velocità del giradischi indicativamente del 10% ruotando la Manopola di Controllo del Beccheggio. Per aumentare la velocità, ruotare la Manopola di Controllo del Beccheggio in senso orario. Per ridurre la velocità, ruotare la Manopola di Controllo del Beccheggio in senso anti-orario.

## Sostituzione della puntina

### Rimozione della puntina

1. Tieni delicatamente entrambi i lati della puntina.
2. Tira delicatamente la puntina in avanti, poi rimuovila.

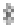


### Installazione della puntina

1. Posiziona la puntina con la punta rivolta verso il basso.
2. Allinea la parte posteriore della puntina alla cartuccia.
3. Spingi la puntina nuovamente al suo posto.



## Funzionamento Bluetooth

1. Ruota il **Selettore di Funzione** sulla modalità Bluetooth.   
*Nota: L'indicatore di funzione lampeggerà di blu.*
2. Attiva la funzionalità Bluetooth del dispositivo audio, cerca "Crosley CR6255A" ed esegui l'abbinamento.
3. Dopo aver abbinato correttamente il dispositivo al dispositivo, sentirai un breve segnale acustico di conferma emesso dal dispositivo stesso e l'Indicatore di Funzione si colorerà di blu.
4. Riproduci e trasmetti musica in streaming dal tuo apparecchio al dispositivo.

*Nota: Versione Bluetooth – 5.1*

## Manutenzione del giradischi

---

1. Non toccare la punta della puntina con le dita. Evita di far urtare la puntina sul tappetino del giradischi o sul bordo di un disco.
2. Pulisci frequentemente la puntina con una spazzola morbida con un movimento solo da dietro verso avanti.
3. Pulisci i dischi per eliminare la polvere o il grasso con una spazzola e una soluzione per la pulizia dei dischi.
4. Pulisci il coperchio e il mobile del giradischi con un panno in microfibra leggermente inumidito.

*Nota: Non utilizzare detergenti che contengano alcol, benzene o altri prodotti chimici aggressivi che potrebbero danneggiare la vernice e la finitura del giradischi.*

**\*Crosley offre una linea di prodotti con diversi accessori per la pulizia. Rivolgiti al tuo rivenditore di fiducia o visita il nostro sito [www.crosleyradio.eu](http://www.crosleyradio.eu) per ulteriori informazioni sui prodotti per la pulizia.**

## Risoluzione dei problemi

---

### Alimentazione assente

- L'adattatore di alimentazione non è collegato correttamente.
- Non c'è corrente alla presa di corrente.
- Per contribuire al risparmio energetico, alcuni modelli sono conformi allo standard di risparmio energetico ERP. Qualora non vi sia ingresso audio per 20 minuti, l'alimentazione del dispositivo verrà disattivata. Per riattivare il dispositivo e riprendere la riproduzione, spegni l'interruttore e riaccendilo.

### L'alimentazione funziona, ma il piatto non si accende

- La cinghia di trasmissione del giradischi è scivolata fino a togliersi.
- Un cavo Aux in è inserito nella presa Aux in, scollegalo.

### Il giradischi gira, ma non c'è suono, o il suono non è abbastanza forte

- La protezione della puntina è ancora al proprio posto.
- Il braccio è sollevato dalla levetta.
- Le cuffie sono collegate.

## Dichiarazioni FCC

---

Questo dispositivo è conforme alla Sezione 15 delle norme FCC. Il funzionamento è soggetto alle seguenti due condizioni:

- (1) questo dispositivo non può provocare interferenze dannose; e
- (2) questo dispositivo deve accettare qualsiasi interferenza nociva, comprese quelle che possono causare funzionamenti indesiderati.

Nota: Questo dispositivo è stato testato e ritenuto conforme ai limiti per un dispositivo digitale di Classe B, conforme alla Sezione 15 delle norme FCC. Questi limiti sono progettati per fornire una protezione ragionevole contro le interferenze dannose in un'installazione di tipo residenziale. Il dispositivo genera, usa e può emanare energia per frequenze radio e, se non viene installato correttamente e utilizzato in conformità alle istruzioni, potrebbe provocare interferenze dannose alle comunicazioni radio. Non viene tuttavia fornita alcuna garanzia in merito al fatto che l'interferenza non si verifichi in presenza di una particolare configurazione. Se questo dispositivo causa interferenze dannose alla ricezione radiofonica o televisiva, che possono essere determinate accendendo e spegnendo l'apparecchio, l'utente è invitato a cercare di correggere l'interferenza adottando una delle seguenti misure:

- riorientare o riposizionare l'antenna ricevente;
- aumentare la distanza tra il dispositivo e il ricevitore;
- collegare il dispositivo a una presa su un circuito diverso rispetto a quello a cui è collegato il ricevitore.
- contattare il rivenditore o un tecnico radio/TV esperto per ricevere assistenza.

Nota: Il Concessionario non è responsabile per gli eventuali cambiamenti o modifiche non espressamente approvati dal soggetto responsabile della compliance. Le modifiche in questione potrebbero vanificare le possibilità da parte dell'utente di utilizzare il dispositivo. Il dispositivo è stato valutato per soddisfare i requisiti generali di esposizione alle RF. Per mantenere la conformità con le linee guida di esposizione a RF di FCC, la distanza tra il dispositivo emittente e il corpo deve essere di almeno 20 cm e pienamente conforme rispetto alle configurazioni di funzionamento e installazione del trasmettitore e delle sue antenne.

### DICHIARAZIONE SEMPLIFICATA DI CONFORMITÀ UE

Con la presente la Modern Marketing Concepts Inc. dba Crosley Brands dichiara che questa tipologia di dispositivo è conforme alla Direttiva 2014/53/UE. Il testo integrale della dichiarazione di conformità UE è reperibile su Internet al seguente indirizzo:

<http://crosleybrands.com/euDoC>



# ~~CROSLEY~~<sup>®</sup>

## CR6255A

### Mercury Platenspeler

### Gebruiksaanwijzing

---



Vragen, problemen of ontbrekende onderdelen?  
Neem contact met ons op of bezoek onze website [www.crosleyradio.eu](http://www.crosleyradio.eu),  
[service@crosleyradio.eu](mailto:service@crosleyradio.eu) of 31 (0)306622470.

Crosley-producten worden in Europa gedistribueerd door:

SF Distributions B.V.

Winthontlaan 28 unit 5

3526 KV Utrecht

Nederland

[www.swordfishandfriend.com](http://www.swordfishandfriend.com)



## Veiligheidsinstructies

---

Lees deze handleiding volledig voor het eerste gebruik van dit product en zorg ervoor dat u deze begrijpt. Bewaar deze instructies voor toekomstig gebruik.

1. Gebruik dit product niet in de buurt van water.
2. Dit product mag enkel gebruikt worden met de stroombron die aangegeven staat op het markeringslabel of in deze gebruiksaanwijzing.
3. Maak de veiligheidsfunctie van de gepolariseerde stekker niet onklaar. Een gepolariseerde stekker heeft twee pinnen, waarbij de ene breder is dan de andere. Deze stekker past slechts op één manier in het stopcontact. Probeer de stekker om te draaien als u hem niet volledig in het stopcontact kunt steken. Neem contact op met een elektricien als de stekker nog steeds niet past.
4. Bescherm de stroomkabel zodat er niet over gelopen wordt of zodat deze niet bekneld wordt, vooral bij de stekkers, stopcontacten en op de plaats waar ze uit het product komen.
5. Overbelast stopcontacten, verlengsnoeren of geïntegreerde stopcontacten niet, dit kan een risico op brand of elektrische schokken veroorzaken.
6. Duw nooit voorwerpen van welke aard dan ook in dit product door de openingen; deze kunnen contact maken met gevaarlijke spanningspunten of kortsluiting van onderdelen veroorzaken, wat brand of elektrische schokken kan veroorzaken. Mors nooit vloeistoffen van welke aard dan ook op het product.
7. Probeer niet om zelf onderhoud uit te voeren aan dit product. Door de behuizing te openen of te verwijderen kunt u blootgesteld worden aan gevaarlijke spanningen of andere gevaren. Neem voor alle onderhoud contact op met gekwalificeerd servicemedewerkers.
8. Wijzigingen of aanpassingen aan deze eenheid die niet uitdrukkelijk goedgekeurd werden door de partij die verantwoordelijk is voor de naleving van de normen kunnen ervoor zorgen dat de autoriteit van de gebruiker om de uitrusting te bedienen vervalt.
9. Gebruik geen hulpstukken die niet aanbevolen worden door de fabrikant van het product aangezien dit risico's kan inhouden.
10. Een combinatie van product en wagen dient voorzichtig verplaatst te worden. Snel stoppen, een overmatige kracht en ongelijke oppervlakken kunnen de draaifunctie van de combinatie product-wagen overbelasten.
11. De sleuven en openingen in de behuizing zijn bedoeld voor ventilatie en om te zorgen voor de betrouwbare werking van het product en om het te beschermen tegen oververhitting. Blokkeer deze openingen niet en dek ze niet af.
12. Haal het product uit het stopcontact bij onweer of wanneer het gedurende langere tijd niet gebruikt wordt.

## Artikelen in deze verpakking

---

Controleer voor u verpakkingsmateriaal weggooit grondig of u de volgende voorwerpen in de verpakking gevonden hebt:

- Platenspeler
- 45 RPM-adapter
- 3,5 mm RCA-kabel
- Stroomadapter

Neem contact op met de Crosley klantenservice als er een accessoire ontbreekt in de verpakking. **Bewaar de oorspronkelijke verpakkingsmaterialen voor ruil- of retourdoeleinden.**

## Specificaties

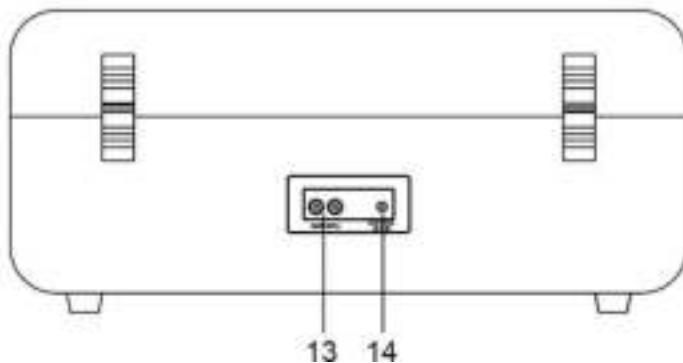
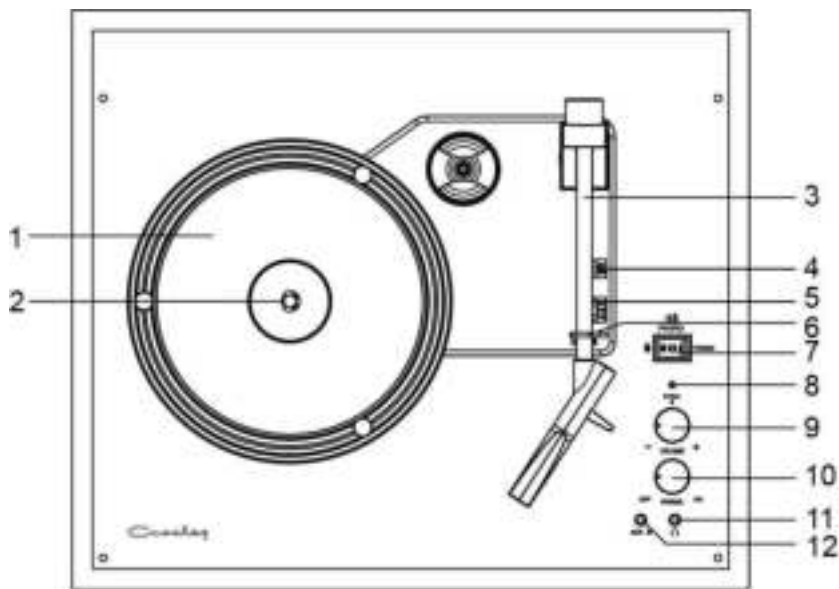
---

Stroom	AC stroomadapter, DC output 12V 0.5 A
Stroomverbruik	9W
Luidspreker	4Ω, 5W x 2
Snelheid platenspeler	33 <sup>1</sup> / <sub>3</sub> , 45, 78 RPM
Vervangingsnaald	Crosley NP-15

### Opmerking:

- *Het ontwerp en de specificaties kunnen zonder voorafgaande kennisgeving gewijzigd worden.*
- **Om het stroomverbruik te beperken, voldoen sommige modellen aan de ERP-norm voor energiebesparing. Wanneer er gedurende 20 minuten geen audio-input is, wordt de stroom op deze modellen automatisch uitgeschakeld. Om de stroom weer aan te zetten en het afspelen te hervatten, moet u de stroom volledig uitschakelen en opnieuw aanzetten.**

## Productbeschrijving



- |                            |                               |
|----------------------------|-------------------------------|
| 1. Draaiplateau            | 9. Controle pitch             |
| 2. Spil draaischijf        | 10. Aan/uit-volumeknop        |
| 3. Toonarm                 | 11. Aansluiting hoofdtelefoon |
| 4. Auto-stop-schakelaar    | 12. Aux In-aansluiting        |
| 5. Schakelaar snelheid     | 13. RCA-aansluiting           |
| 6. Toonarm-clip            | 14. Voedingsaansluiting       |
| 7. Functieschakelaar       | 15. 45 RPM-adapter            |
| 8. Indicatielampje functie |                               |

## Basisinstallatie

---

### Installatie essentiële onderdelen

1. Plaats het apparaat op een vlak, gelijk oppervlak. De geselecteerde locatie dient stabiel en vrij van trillingen te zijn.
2. Verwijder het bandje waarmee de toonarm bevestigd is.
3. Sluit de stroomadapter aan op de **stroomaansluiting** van het toestel.

*Opmerking: Sluit de stroomadapter niet aan op het stopcontact voordat de montage afgerond is. Zorg er, voor u de stroom aanzet, voor dat alle aansluitingen correct uitgevoerd zijn. Zet de stroom steeds uit tijdens het aansluiten of loskoppelen.*

## Aansluiting Stereosysteem

---

### RCA-aansluitingen

- De RCA-aansluitingen geven analoge line-level signalen af en kunnen rechtstreeks aangesloten worden met actieve/versterkte luidsprekers of passende input van je stereosysteem.
- De rode aansluiting wordt verbonden met het rechterkanaal en de witte aansluiting met het linkerkanaal.

*Opmerking: De RCA-aansluitingen zijn niet ontworpen om rechtstreeks aan te sluiten op passieve/niet-versterkte luidsprekers. Als ze aangesloten worden op passieve luidsprekers zal het volumeniveau heel laag zijn.*

## Aansluiting Aux Input

---

U kunt een audioapparaat aansluiten op dit apparaat en uw muziek afspelen via de luidsprekers. Om dit te doen, verbindt u de 3,5 mm aux-kabel met het audiotoeestel en de **Aux In-aansluiting** van dit apparaat en u kunt uw muziek gaan afspelen.

*Opmerking:*

*De aux in-aansluiting krijgt automatisch voorrang op de platenspeler en de Bluetooth-functie. Om de platenspeler of Bluetooth-functie opnieuw te gebruiken, haalt u de aux-kabel weer uit de aux in-aansluiting. Het Functie-indicatielampje wordt paars.*

## Bluetooth Output

---

Deze platenspeler beschikt ook over Bluetooth output, een middel dat audio van deze platenspeler overbrengt naar een ander Bluetooth-apparaat, zoals een draadloze Bluetooth-hoofdtelefoon, Bluetooth-luidsprekers of andere toestellen die Bluetooth kunnen ontvangen.

1. Plaats het audiotoeistel dat Bluetooth-technologie ondersteunt zo dicht mogelijk bij de platenspeler.
2. Zet de functieschakelaar van de platenspeler op de ON (aan)-positie voor Bluetooth output.  
*Opmerking: Het functie-indicatielampje knippert traag in het blauw.*
3. Zet het toestel dat u wil aansluiten op de koppelmodus.
4. De platenspeler maakt automatisch verbinding met het audiotoeistel als ze allebei in de koppelmodus staan.
5. Als de koppeling gemaakt is, blijft het functielampje blauw branden.

*Opmerking: Zorg ervoor dat uw audiotoeistel niet met een andere Bluetooth-dienst verbonden is als de koppeling niet met succes gemaakt kan worden.*

## Werking Platenspeler

---

1. Draai aan de **Aan/Uit Volumeknop** om de stroom aan te zetten.
2. Stel de Functieschakelaar in op de PHONO-positie.  
*Opmerking: Het Functielampje wordt rood.*
3. Stel de **Snelheidsschakelaar** overeenkomstig in.
4. Leg de plaat op de draaischijf. Gebruik de **45 RPM Adapter** indien noodzakelijk.
5. Verwijder de stylusbeschermer van de stylusstructuur.  
*Opmerking: Zorg er om schade aan de stylus te vermijden voor dat de meegeleverde stylusbescherming aangebracht is als de platenspeler verplaatst of schoongemaakt wordt.*
6. Maak de Toonarm **Clip** los.  
*Opmerking: denk eraan om de clip op de toonarm vast te zetten wanneer de platenspeler niet in gebruik is.*
7. Til de Toonarm op en beweeg hem tot over de plaats waar u wil beginnen met afspelen. Zet de toonarm zacht neer om af te spelen.
8. Til de Toonarm zacht op wanneer de plaat afgespeeld is en zet hem terug op de steun. Om het afspelen te onderbreken herhaalt u dezelfde stappen.
9. Sluit de Toonarm Clip om de toonarm vast te zetten.

## Auto-stop Draaischijf

---

Als de **Auto-stop Schakelaar** op de ON (aan)-positie staat, stopt de draaischijf automatisch met draaien wanneer de plaat ten einde is. Zet de schakelaar van de platenspeler naar de OFF-positie om het probleem te verhelpen als het in een zeldzaam geval toch zou gebeuren dat de platenspeler stopt voor het einde van de plaat.

## Pitch Controle

---

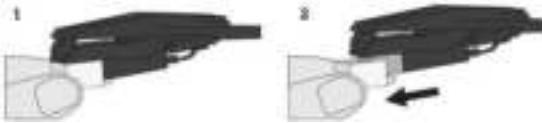
De snelheid van de platenspeler kan met ongeveer 10% versneld of vertraagd worden door aan de Pitch controleknop te draaien. Om de snelheid te verhogen, draait u de Pitch controleknop met de klok mee. Om de snelheid te verlagen, draait u de knop tegen de klok in.

## Vervangen van de naald

---

### De naald verwijderen

1. Houd beide zijden van de naald zachtjes vast.
2. Trek de naald zacht naar voren en haal eruit.




### De naald installeren

1. Plaats de naald met de punt omlaag.
2. Laat de achterkant van de naald tot gelijk met de cartridge komen.
3. Duw de naald achteruit op zijn plaats.



## Werking Bluetooth

---

1. Draai de **Functie Schakelaar** naar de Bluetooth-modus 

*Opmerking: Het functielampje knippert in het blauw.*
2. Zet de Bluetooth-functie van je audietoestel aan, zoek naar "CROSLEY CR6255A" en maak de koppeling.
3. Zodra je toestel en de unit met succes gekoppeld zijn, hoor je een kort bevestigingsgeluid van het toestel en wordt het functielampje blauw.
4. Speel en stream muziek vanaf je apparaat naar het toestel.

*Opmerking: Bluetooth versie – 5.1*

## Onderhoud van de platenspeler

---

1. Raak de punt van de stylus niet aan met je vingers. Vermijd om met de stylus tegen de mat van de platenspeler of de rand van een plaat aan te tikken.
2. Maak de stylus regelmatig schoon met een zachte borstel, maar enkel in een beweging van achter naar voor.
3. Maak platen schoon om stof of vet te verwijderen met een reinigingsborstel en een reinigingsoplossing voor platen.
4. Maak het deksel en de behuizing van de platenspeler schoon met een licht vochtige microvezeldoek.

*Opmerking: Gebruik geen ander reinigingsmiddel dat alcohol, benzeen of andere agressieve chemicaliën bevat, die de verf en afwerking van de platenspeler kunnen beschadigen.*

**\*\* Crosley beschikt over een productlijn van verschillende reinigingsaccessoires. Vraag ernaar bij uw verkoper of neem een kijkje op onze website [www.crosleyradio.com](http://www.crosleyradio.com) voor meer informatie over reinigingsproducten.**

## Problemen oplossen

---

### Er is geen stroom

- De stroomadapter is niet correct aangesloten.
- Geen stroom bij het stopcontact.
- Om het stroomverbruik te beperken, voldoen sommige modellen aan de ERP-norm voor energiebesparing. Wanneer er gedurende 20 minuten geen audio-input is, wordt de stroom op deze modellen automatisch uitgeschakeld. Om de stroom weer aan te zetten en het afspelen te hervatten, moet u de stroom volledig uitschakelen en opnieuw aanzetten.

### De stroom staat aan, maar de schijf draait niet.

- De aandrijfriem van de platenspeler is losgekomen.
- De aux in-kabel is aangesloten op de aux in-aansluiting, ontkoppel deze.

### De platenspeler draait, maar er is geen geluid, of het geluid is niet luid genoeg

- De stylusbeschermer zit er nog op.
- De toonarm is omhoog geplaatst door de hendel.
- De hoofdtelefoon is aangesloten.

## FCC-verklaring

---

Dit apparaat voldoet aan deel 15 van de FCC-regelgeving. Het gebruik van dit apparaat is onderworpen aan de twee volgende voorwaarden:

- (1) Dit apparaat mag geen schadelijke interferentie veroorzaken en
- (2) Dit apparaat moet inkomende interferentie accepteren, met inbegrip van interferentie die mogelijk een ongewenste werking kan veroorzaken.

Opmerking: Tests hebben uitgewezen dat dit apparaat voldoet aan de beperkingen die gelden voor een digital apparaat van klasse B, overeenkomstig deel 15 van de FCC-regelgeving. Deze beperkingen zijn bedoeld om een redelijke bescherming te bieden tegen schadelijke interferentie bij een installatie in een residentiële installatie. Dit apparaat genereert en gebruikt radiofrequentie-energie en kan deze uitstralen. Wanneer het apparaat niet volgens de instructies wordt geïnstalleerd en gebruikt, kan dit tot schadelijke interferentie met radiocommunicatie leiden. Er kan echter geen garantie worden gegeven dat er in een bepaalde installatie geen interferentie zal optreden.

Indien dit apparaat schadelijke interferentie veroorzaakt bij radio- of televisieontvangst, wat kan worden vastgesteld door het apparaat in en uit te schakelen, wordt de gebruiker gevraagd de interferentie op een van de volgende manieren te proberen verhelpen:

- Richt de ontvangstantenne opnieuw of verplaats deze.
- Vergroot de afstand tussen het apparaat en de ontvanger.
- Sluit het apparaat aan op een wandcontactdoos in een andere stroomkring dan waarop de ontvanger is aangesloten.
- Vraag de leverancier of een ervaren radio-/televisiemonteur om hulp.

Opmerking: De garantiegever is niet verantwoordelijk voor wijzigingen of aanpassingen die niet uitdrukkelijk goedgekeurd zijn door de partij die verantwoordelijk is voor de naleving van de normen. Dergelijke wijzigingen kunnen ertoe leiden dat het recht van de gebruiker om het product te bedienen kan komen te vervallen.

Tests hebben uitgewezen dat dit product voldoet aan de algemene vereisten voor RF-blootstelling. Om te voldoen aan de R- blootstellingsrichtlijnen van de FCC, dient er een afstand van minimaal 20 cm te zijn tussen het uitstralende toestel en uw lichaam en dient het volledig ondersteund te worden door de werkings- en installatieconfiguratie van de zender en zijn antenne(s).

## VEREENVOUDIGDE EU-CONFORMITEITSVERKLARING

Hierbij verklaart Modern Marketing Concepts Inc. dba Crosley Brands dat het type radio-uitrusting voldoet aan richtlijn 2014/53/EU. De volledige tekst van de EU-conformiteitsverklaring is beschikbaar op het volgende internetadres: <http://crosleybrands.com/euDoC>

