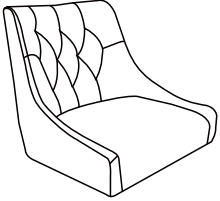

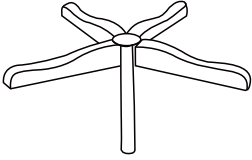

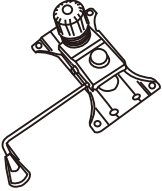




ASSEMBLY INSTRUCTION

Ax1 	Ex1 
Bx1 	Fx5 
Cx1 	Gx4 
Dx1 	Fx1 