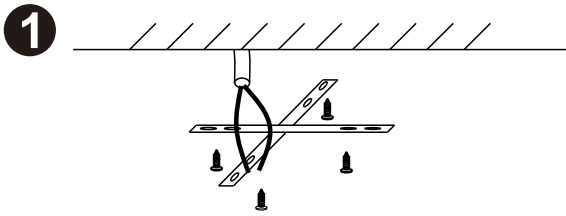
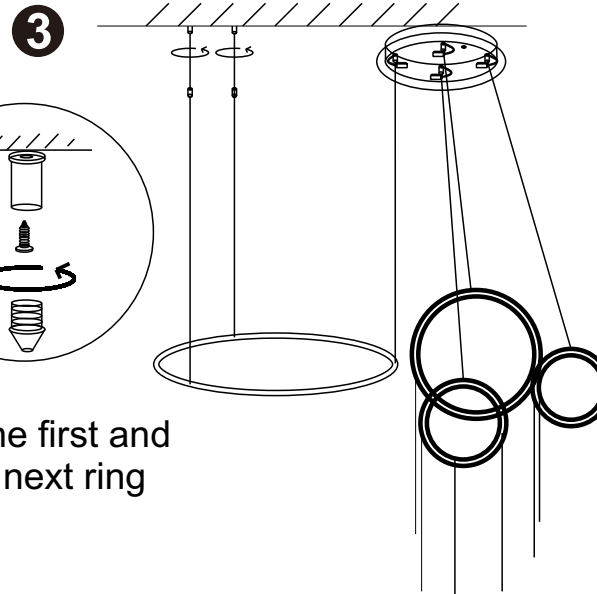


instruction for installation

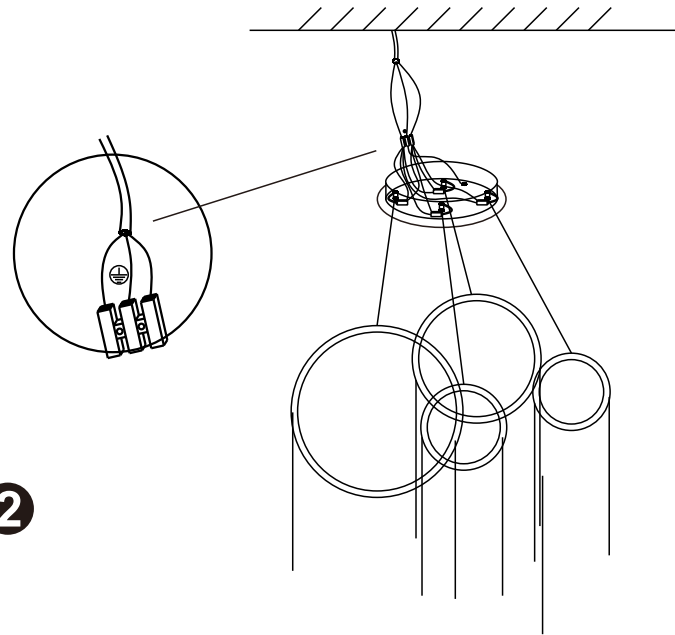


1 Install the hanging plate and punch the hanging plate at the reserved wire outlet.



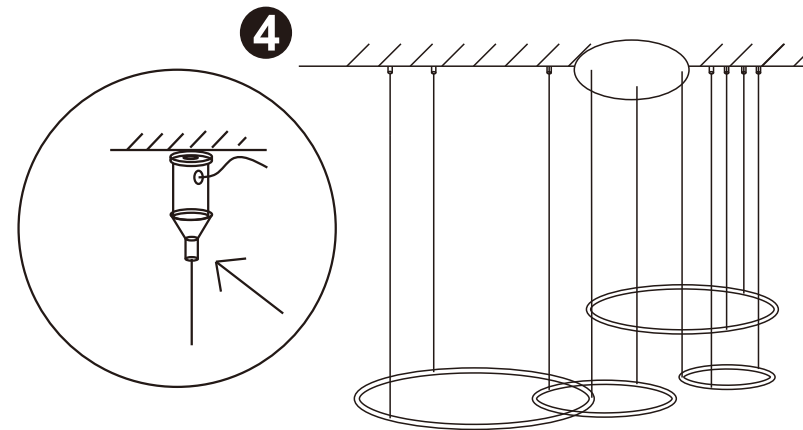
3 Install one first and then the next ring

Twist the lock wire rope 2 and 1 hardware, according to the favorite shape, ensure that the wire rope maintains vertical hanging, find a good position, first fix the bottom of the hollow cylindrical hardware on the ceiling, and then put the conical hardware twist up



2

The left and right sides of the terminal are connected to wire, can be no zero wire. Central port grounding wire, no ground wire in the middle of the empty connection.



4

After the overall installation, the small round pipe of pressing the lock lifting line can adjust the length of the lifting line at will.