

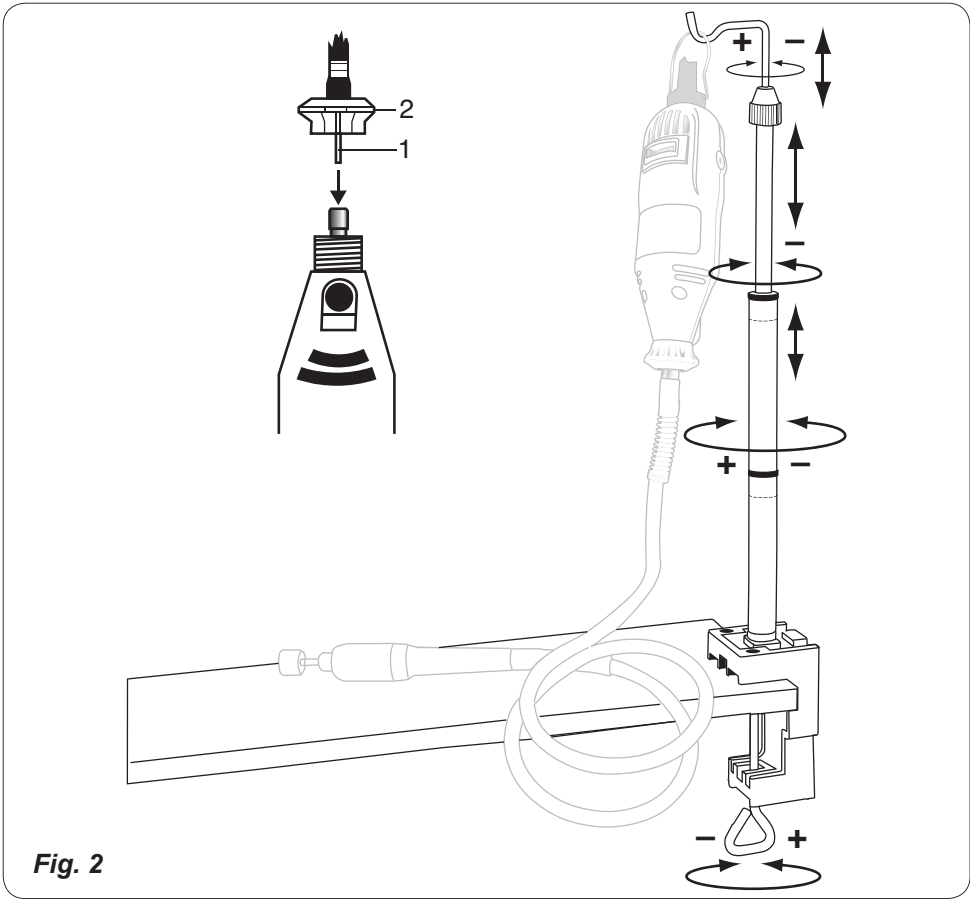
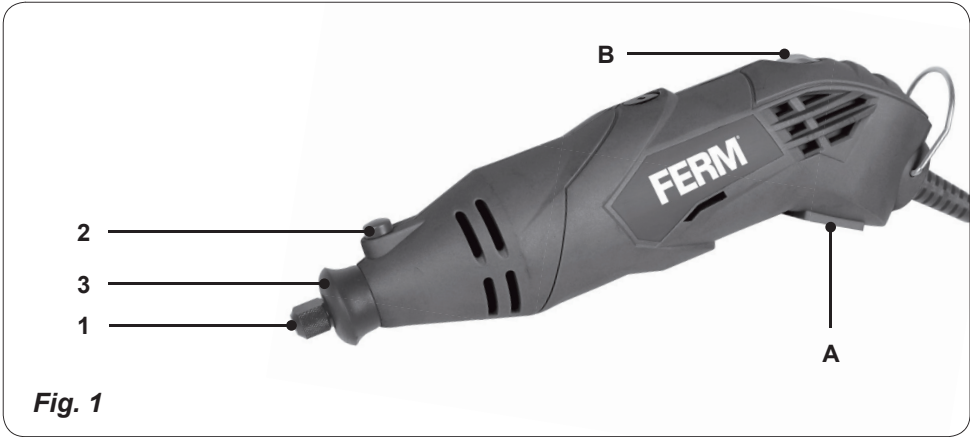
# FERM®

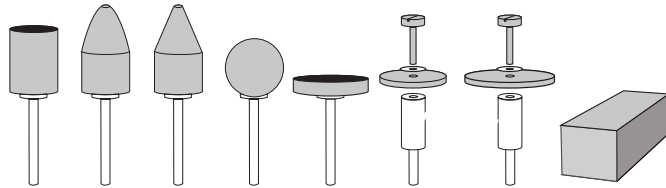
POWER SINCE 1965



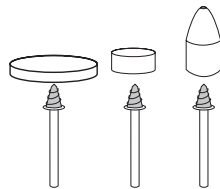
## CTM1017

EN	Original instructions	04
DE	Übersetzung der Originalbetriebsanleitung	09
NL	Vertaling van de oorspronkelijke gebruiksaanwijzing	15
FR	Traduction de la notice originale	21
PL	Tłumaczenie instrukcji oryginalnej	27

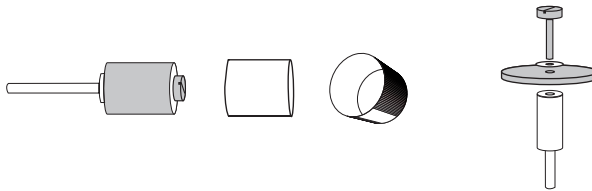




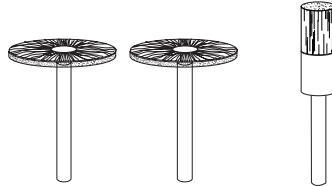
**Fig. 3**



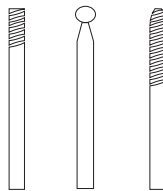
**Fig. 4**



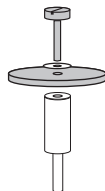
**Fig. 5**



**Fig. 6**



**Fig. 7**



**Fig. 8**

## COMBITOOL 160W

### Thank you for buying this Ferm product.

By doing so you now have an excellent product, delivered by one of Europe's leading suppliers. All products delivered to you by Ferm are manufactured according to the highest standards of performance and safety. As part of our philosophy we also provide an excellent customer service, backed by our comprehensive warranty. We hope you will enjoy using this product for many years to come.

**The numbers in the following text refer to the pictures on page 2-3**



Read the operating instructions carefully before using this device. Familiarise yourself with its functions and basic operation. Service the device as per the instructions to ensure that it always functions properly. The operating instructions and the accompanying documentation must be kept in the vicinity of the device.

### Contents

1. Machine data
2. Safety instructions
3. Assembly of accessoires
4. Mounting the flexible shaft and stand
5. Maintenance

## 1. Machine data

### Technical specifications

Voltage	220-240V~
Frequency	50 Hz
Power consumption	160 W
No load speed	8.000-35.000/min
Capacity of spring chuck	3.2 + 2.3 mm
Weight	1.75 kg
L <sub>pa</sub> (Sound pressure level)	73+3 dB(A)
L <sub>wa</sub> (Sound power level)	84+3 dB(A)
Vibration	3.74+1.5 m/s <sup>2</sup>

### Vibration level

The vibration emission level stated in this instruction manual has been measured in accordance with a standardised test given in EN 60745; it may be used to compare one tool with another and as a preliminary assessment of exposure to vibration when using the tool for the applications mentioned.

- using the tool for different applications, or with different or poorly maintained accessories, may significantly increase the exposure level.
- the times when the tool is switched off or when it is running but not actually doing the job, may significantly reduce the exposure level.

Protect yourself against the effects of vibration by maintaining the tool and its accessories, keeping your hands warm, and organizing your work patterns.

Check first whether or not the delivery has been damaged by transport and/or whether all the parts are present.

## 2. Safety instructions

### Explanation of symbols



Denotes risk of personal injury, loss of life or damage to the tool in case of non-observance of the instructions in this manual.



Indicates the presence of an electrical voltage.



Variable speed control.



Wear ear and eye protection.



Wear a dust mask.

### General safety instructions



**WARNING!**  
**Read all safety warnings and all instructions.** Failure to follow the warnings and instructions may result in electric shock, fire and/or serious injury.

### Save all warnings and instructions for future reference.

The term "power tool" in the warnings refers to your mains-operated (corded) power tool or battery-operated (cordless) power tool.

### 1) Work area safety

- a) **Keep work area clean and well lit.** Cluttered or dark areas invite accidents.
- b) **Do not operate power tools in explosive atmospheres, such as in the presence of flammable liquids, gases or dust.** Power tools create sparks which may ignite the dust or fumes.
- c) **Keep children and bystanders away while operating a power tool.** Distractions can cause you to lose control.

### 2) Electrical safety

- a) **Power tool plugs must match the outlet. Never modify the plug in any way. Do not use any adapter plugs with earthed (grounded) power tools.** Unmodified plugs and matching outlets will reduce risk of electric shock.
- b) **Avoid body contact with earthed or grounded surfaces, such as pipes, radiators, ranges and refrigerators.** There is an increased risk of electric shock if your body is earthed or grounded.
- c) **Do not expose power tools to rain or wet conditions.** Water entering a power tool will increase the risk of electric shock.
- d) **Do not abuse the cord. Never use the cord for carrying, pulling or unplugging the power tool. Keep cord away from heat, oil, sharp edges or moving parts.** Damaged or entangled cords increase the risk of electric shock.
- e) **When operating a power tool outdoors, use an extension cord suitable for outdoor use.** Use of a cord suitable for outdoor use reduces the risk of electric shock.
- f) **If operating a power tool in a damp location is unavoidable, use a residual current device (RCD) protected supply.** Use of an RCD reduces the risk of electric shock.

### 3) Personal safety

- a) **Stay alert, watch what you are doing and use common sense when operating a power tool. Do not use a power tool while you are tired or under the influence of drugs, alcohol or medication.** A moment of inattention while operating power tools may result in serious personal injury.
- b) **Use personal protective equipment. Always wear eye protection.** Protective equipment such as dust mask, non-skid safety

shoes, hard hat, or hearing protection used for appropriate conditions will reduce personal injuries.

- c) **Prevent unintentional starting. Ensure the switch is in the off-position before connecting to power source and/or battery pack, picking up or carrying the tool.** Carrying power tools with your finger on the switch or energising power tools that have the switch on invites accidents.
- d) **Remove any adjusting key or wrench before turning the power tool on.** A wrench or a key left attached to a rotating part of the power tool may result in personal injury.
- e) **Do not overreach. Keep proper footing and balance at all times.** This enables better control of the power tool in unexpected situations.
- f) **Dress properly. Do not wear loose clothing or jewellery. Keep your hair, clothing and gloves away from moving parts.** Loose clothes, jewellery or long hair can be caught in moving parts.
- g) **If devices are provided for the connection of dust extraction and collection facilities, ensure these are connected and properly used.** Use of dust collection can reduce dust related hazards.

### 4) Power tool use and care

- a) **Do not force the power tool. Use the correct power tool for your application.** The correct power tool will do the job better and safer at the rate for which it was designed.
- b) **Do not use the power tool if the switch does not turn it on and off.** Any power tool that cannot be controlled with the switch is dangerous and must be repaired.
- c) **Disconnect the plug from the power source and/or the battery pack from the power tool before making any adjustments, changing accessories, or storing power tools.** Such preventive safety measures reduce the risk of starting the power tool accidentally.
- d) **Store idle power tools out of the reach of children and do not allow persons unfamiliar with the power tool or these instructions to operate the power tool.** Power tools are dangerous in the hands of untrained users.

- e) **Maintain power tools. Check for misalignment or binding of moving parts, breakage of parts and any other condition that may affect the power tool's operation. If damaged, have the power tool repaired before use.** Many accidents are caused by poorly maintained power tools.
- f) **Keep cutting tools sharp and clean.** Properly maintained cutting tools with sharp cutting edges are less likely to bind and are easier to control.
- g) **Use the power tool, accessories and tool bits etc. in accordance with these instructions, taking into account the working conditions and the work to be performed.** Use of the power tool for operations different from those intended could result in a hazardous situation.
- 5) **Battery tool use and care**
- a) **Recharge only with the charger specified by the manufacturer.** A charger that is suitable for one type of battery pack may create a risk of fire when used with another battery pack.
- b) **Use power tools only with specifically designated battery packs.** Use of any other battery packs may create a risk of injury and fire.
- c) **When battery pack is not in use, keep it away from other metal objects, like paper clips, coins, keys, nails, screws or other small metal objects that can make a connection from one terminal to another.** Shorting the battery terminals together may cause burns or a fire.
- d) **Under abusive conditions, liquid may be ejected from the battery; avoid contact. If contact accidentally occurs, flush with water. If liquid contacts eyes, additionally seek medical help.** Liquid ejected from the battery may cause irritation or burns.
- 6) **Service**
- a) **Have your power tool serviced by a qualified repair person using only identical replacement parts. This will ensure that the safety of the power tool is maintained.**

### Special safety instructions

- Always keep the cord away from the moving parts of the machine.
- In the case of locking, switch the machine off immediately and remove the plug from the mains.
- Compare the maximum number of revolutions allowed of the accessories with the number of revolutions of the machine.
- When you put the machine away the engine must be switched off and moving parts must have reached a standstill.
- Never attach an assembly spanner to your machine with a piece of string or anything similar.
- Never use the axle locking button if the machine is operating.
- Make sure that the spring chuck diameter is the same as the axle diameter of the accessory.
- Use a clamping device for securing the work piece.
- Keep your hands away from the work piece.

### Electrical safety

When using electric machines always observe the safety regulations applicable in your country to reduce the risk of fire, electric shock and personal injury. Read the following safety instructions and also the enclosed safety instructions.



*Always check that the power supply corresponds to the voltage on the rating plate.*



*Your machine is double insulated, therefore no earthwire is required.*

### Replacing cables or plugs

If the mains cable becomes damaged, it must be replaced with a special mains cable available from the manufacturer or the manufacturer's customer service. Dispose of old cables or plugs immediately after replacing them with new ones. It is dangerous to connect the plug of a loose cable to a socket.

### Using extension cables

Only use an approved extension cable suitable for the power input of the machine. The minimum conductor size is 1.5 mm<sup>2</sup>. When using a cable reel always unwind the reel completely.

### 3. Assembly of accessories



Before assembly always remove the plug from the mains.



**Warning!** Change accessories by inserting an accessory into the collet (or chuck) as far possible to minimize run out and unbalance.

#### Assembly of accessories

**Fig. 1**

Press down the axle locking button (2) and hold it down. Using the spring chuck spanner you can undo the spring chuck (1). Put the accessory in its place. Hold down the axle locking button when you fasten the spring chuck with the spring chuck spanner.

To mount an accessory in the flexible shaft, lock the spindle by putting the pin in the hole. Then loosen the chuck with the spanner and place the accessory.

Keep the pin in place and tighten the chuck.

Make sure to remove the pin before operating the machine.

#### Operation

Switch on the machine by engaging the on/off switch (A) By adjusting the adjusting wheel (B) you can regulate the speed of the Combitool. Do not put the machine down when the motor is still running. Do not place the machine on a dusty surface. Dust particles may enter the mechanism.



*Too high a load at a low speed of the Combitool can burn out the engine.*

### 4. Mounting the flexible shaft and stand

#### Flexible shaft

**Fig. 2**

Screw the ring off the chuck and remove it. Mount the flexible shaft on the Combitool, placing the inner shaft (1) in the chuck. The ring of the flexible shaft (2) can then be fastened onto the Combitool.



*Never operate the axle locking button if the engine is still rotating.*

#### Stand for the Combitool

- Mount the stand on the side of a workbench or worktop with a maximum thickness of 60 mm.
- The height of the stand is adjustable. Loosen the top tube of the stand by turning it anticlockwise. Draw the tube out to its maximum height and secure it by turning the tube clockwise. The height of the suspension bracket is adjustable by loosening the black knob. After adjusting the suspension bracket to the correct height, retighten the knob.
- Attach the Combitool to the suspension bracket of the stand; this suspension bracket can be turned 360°.

#### Accessories for the Combitool

Always check that the maximum rpm of the accessory is suitable for the maximum speed of the Combitool.

#### Grinding stones

**Fig. 3**

When using a grinding stone the first time, use the dressing stone to balance it. The dressing stone can also be used for cleaning the surface or to give the grinding stone a special shape.

Material	Speed setting
Stone, shell	-
Steel	+
Aluminium, brass	+ -
Plastic	-

#### Felt wheels and tip

**Fig. 4**

The felt wheels or tip should be screwed on the mandrel.

Material	Speed setting
Steel	+
Aluminium, brass	+ -
Plastic	+

#### Sanding bands and disc

**Fig. 5**

Material	Speed setting
Wood	++
Steel	-
Aluminium, brass	+ -
Plastic	-

## Stainless steel brushes and bristle brush

Fig. 6

Material	Speed setting
Stone, shell	+ -
Aluminium, brass	+ -

## High speed cutter, Diamond wheel point and Drill

Fig. 7

Material	Speed setting
Stone, shell	Max
Steel	+ -
Aluminium, brass	+ +
Plastic	-

## Abrasive disc

Fig. 8

Material	Speed setting
Steel	+
Aluminium, brass	+ -
Plastic	-

## 5. Maintenance



*Make sure that the machine is not live when carrying out maintenance work on the motor.*

This machine has been designed to operate over a long period of time with a minimum of maintenance. Continuous satisfactory operation depends upon proper machine care and regular cleaning.

### Cleaning

Keep the ventilation slots of the machine clean to prevent overheating of the engine. Regularly clean the machine housing with a soft cloth, preferably after each use. Keep the ventilation slots free from dust and dirt. If the dirt does not come off use a soft cloth moistened with soapy water. Never use solvents such as petrol, alcohol, ammonia water, etc. These solvents may damage the plastic parts. Please clean the tool immediately after use.

### Lubrication

Make sure to lubricate the flexible shaft regularly to prevent excessive heat generation.

### Faults

Should a fault occur, e.g. after wear of a part, please contact the service address on the warranty card. In the back of this manual you find an exploded view showing the parts that can be ordered.

### Environment

To prevent damage during transport, the appliance is delivered in a solid packaging which consists largely of reusable material. Therefore please make use of options for recycling the packaging.



*Damaged and/or disposed of electrical or electronic devices must be dropped off at recycling stations intended for that purpose.*

### Only for EC countries

Do not dispose of power tools into domestic waste. According to the European Guideline 2012/19/EU for Waste Electrical and Electronic Equipment and its implementation into national right, power tools that are no longer usable must be collected separately and disposed of in an environmentally friendly way.

### Warranty

Read the warranty conditions on the separately supplied warranty card.

The product and the user manual are subject to change. Specifications can be changed without further notice.



## KOMBIWERKZEUG 160W

### Vielen Dank für den Kauf dieses Ferm Produkts.

Hiermit haben Sie ein ausgezeichnetes Produkt erworben, dass von einem der führenden Lieferanten Europas geliefert wird.

Alle von Ferm an Sie gelieferten Produkte sind nach den höchsten Standards von Leistung und Sicherheit gefertigt. Teil unserer Firmenphilosophie ist es auch, Ihnen einen ausgezeichneten Kundendienst anbieten zu können, der von unserer umfassenden Garantie unterstützt wird.

Wir hoffen, dass Sie viele Jahre Freude an diesem Produkt haben.

### Die Zahlen im nachstehenden Text entsprechen den Abbildungen auf Seite 2-3



Lesen Sie diese Bedienungsanleitung aufmerksam, bevor Sie die Maschine in Betrieb nehmen. Machen Sie sich mit der Funktionsweise und der Bedienung vertraut. Warten Sie die Maschine entsprechend der Anweisungen, damit sie immer einwandfrei funktioniert. Die Betriebsanleitung und die dazugehörige Dokumentation müssen in der Nähe der Maschine aufbewahrt werden.

### Inhalt

1. Gerätedaten
2. Sicherheitsvorschriften
3. Montage
4. Gebrauch, Hinweise und Tips
5. Wartung

## 1. Gerätedaten

### Technische Daten

Spannung	220-240V~
Frequenz	50 Hz
Aufgenommene Leistung	160 W
Drehzahl unbelastet	8.000-35.000/min
Kapazität Spannzange	3.2 + 2.3 mm
Gewicht	1.75 kg
Lpa (Schalldruck)	73+3 dB(A)
Lwa (Schalleistung)	84+3 dB(A)
Vibrationswert	3.74+1.5 m/s <sup>2</sup>

### Vibrationsstufe

Die im dieser Bedienungsanleitung angegebene Vibrationsemissionsstufe wurde mit einem standardisierten Test gemäß EN 60745 gemessen; Sie kann verwendet werden, um ein Werkzeug mit einem anderen zu vergleichen und als vorläufige Beurteilung der Vibrationsexposition bei Verwendung des Werkzeugs für die angegebenen Anwendungszwecke.

- die Verwendung des Werkzeugs für andere Anwendungen oder mit anderem oder schlecht gewartetem Zubehör kann die Expositionsstufe erheblich erhöhen.
- Zeiten, zu denen das Werkzeug ausgeschaltet ist, oder wenn es läuft aber eigentlich nicht eingesetzt wird, können die Expositionsstufe erheblich verringern.

Schützen Sie sich vor den Auswirkungen der Vibration durch Wartung des Werkzeugs und des Zubehörs, halten Sie Ihre Hände warm und organisieren Sie Ihren Arbeitsablauf.

Überprüfen Sie die Maschine, lose Teile und Zubehör auf Transportschäden.

## 2. Sicherheitsvorschriften

### Erläuterung der Symbole



Lebens- und Verletzungsgefahr und Gefahr von Beschädigungen am Gerät bei Nichteinhaltung der Sicherheitsvorschriften in dieser Anleitung.



Deutet das Vorhandensein elektrischer Spannung an.



Die Drehzahl der Maschine kann elektronisch eingestellt werden.



Schutzbrille und Gehörschutz tragen.



Tragen Sie eine Staubmasker.

## Allgemeine Sicherheitshinweise



### ACHTUNG!

**Lesen Sie alle Sicherheitshinweise und Anweisungen.** Fehler bei der Einhaltung der nachstehend aufgeführten Anweisungen können elektrischen Schlag, Brand und/oder schwere Verletzungen verursachen.

**Bewahren Sie diese Anweisungen gut auf.** Der nachfolgend verwendete Begriff „Elektrowerkzeug“ bezieht sich auf netzbetriebene Elektrowerkzeuge (mit Netzkabel) und auf akkubetriebene Elektrowerkzeuge (ohne Netzkabel).

### 1) Arbeitsplatz

- a) **Halten Sie Ihren Arbeitsbereich sauber und aufgeräumt.** Unordnung und unbeleuchtete Arbeitsbereiche können zu Unfällen führen.
- b) **Arbeiten Sie mit dem Gerät nicht in explosionsgefährdeter Umgebung, in der sich brennbare Flüssigkeiten, Gase oder Staub befinden.** Elektrowerkzeuge erzeugen Funken, die den Staub oder die Dämpfe entzünden können.
- c) **Halten Sie Kinder und andere Personen während der Benutzung des Elektrowerkzeugs fern.** Bei Ablenkung können Sie die Kontrolle über das Gerät verlieren.

### 2) Elektrische Sicherheit

- a) **Der Anschlussstecker des Gerätes muss in die Steckdose passen. Der Netzstecker darf in keiner Weise verändert werden. Verwenden Sie keine Adapterstecker gemeinsam mit geschützten Geräten. Unveränderte Netzstecker und passende Steckdosen verringern das Risiko eines elektrischen Schlages.**
- b) **Vermeiden Sie Körperkontakt mit geerdeten Oberflächen, wie von Rohren, Heizungen, Herden und Kühlschränken. Es besteht ein erhöhtes Risiko durch elektrischen Schlag, wenn Ihr Körper geerdet ist.**
- c) **Halten Sie das Gerät von Regen oder Nässe fern. Das Eindringen von Wasser in ein Elektrogerät erhöht das Risiko eines elektrischen Schlages.**
- d) **Zweckentfremden Sie das Netzkabel nicht, um das Gerät zu tragen, aufzuhängen oder um den Netzstecker aus der Steckdose zu ziehen. Halten Sie das Netzkabel fern**

**von Hitze, Öl, scharfen Kanten oder sich bewegenden Geräteteilen.** Beschädigte oder verwickelte Netzkabel erhöhen das Risiko eines elektrischen Schlages.

- e) **Wenn Sie mit einem Elektrowerkzeug im Freien arbeiten, verwenden Sie nur Verlängerungskabel, die auch für den Außenbereich zugelassen sind.** Die Anwendung eines für den Außenbereich geeigneten Verlängerungskabels verringert das Risiko eines elektrischen Schlages
  - f) **Wenn sich Arbeiten mit einem Elektrowerkzeug in feuchten Umgebungen nicht vermeiden lassen, verwenden Sie eine Stromversorgung mit einer Fehlerstrom-Schutzeinrichtung (RCD).** Durch die Verwendung einer RCD wird die Gefahr eines elektrischen Schlags verringert.
- ### 3) Sicherheit von Personen
- a) **Seien Sie aufmerksam. Achten Sie darauf, was Sie tun, und gehen Sie mit Vernunft an die Arbeit mit einem Elektrowerkzeug. Benutzen Sie das Gerät nicht, wenn Sie müde sind oder unter dem Einfluss von Drogen, Alkohol oder Medikamenten stehen. Ein Moment der Unachtsamkeit beim Gebrauch des Gerätes kann zu ernsthaften Verletzungen führen.**
  - b) **Tragen Sie persönliche Schutzausrüstung und immer eine Schutzbrille.** Das Tragen persönlicher Schutzausrüstung, wie Staubmaske, rutschfeste Sicherheitsschuhe, Schutzhelm oder Gehörschutz, je nach Art und Einsatz des Elektrowerkzeuges, verringert das Risiko von Verletzungen.
  - c) **Vermeiden Sie eine unbeabsichtigte Inbetriebnahme. Vergewissern Sie sich, dass der Schalter in der Position „AUS(0)“ ist, bevor Sie den Netzstecker in die Steckdose stecken.** Wenn Sie beim Tragen des Gerätes den Finger am Schalter haben oder das Gerät eingeschaltet an die Stromversorgung anschließen, kann dies zu Unfällen führen.
  - d) **Entfernen Sie Einstellwerkzeuge oder Schraubenschlüssel, bevor Sie das Gerät einschalten.** Ein Werkzeug oder Schlüssel, der sich in einem drehenden Geräteteil befindet, kann zu Verletzungen führen.
  - e) **Überschätzen Sie sich nicht. Sorgen Sie für einen sicheren Stand und halten Sie jederzeit das Gleichgewicht.** Dadurch

*können Sie das Gerät in unerwarteten Situationen besser kontrollieren.*

- f) **Tragen Sie geeignete Kleidung. Tragen Sie keine weite Kleidung oder Schmuck. Halten Sie Haare, Kleidung und Handschuhe fern von sich bewegenden Teilen.** *Lockere Kleidung, Schmuck oder lange Haare können von sich bewegenden Teilen erfasst werden.*
- g) **Wenn Staubabsaug- und -auffangeinrichtungen montiert werden können, vergewissern Sie sich, dass diese angeschlossen sind und richtig verwendet werden.** *Das Verwenden dieser Einrichtungen verringert Gefährdungen durch Staub.*
- 4) Sorgfältiger Umgang und Gebrauch von Elektrowerkzeugen**
- a) **Überlasten Sie das Gerät nicht. Verwenden Sie für Ihre Arbeit das dafür bestimmte Elektrowerkzeug.** *Mit dem passenden Elektrowerkzeug arbeiten Sie besser und sicherer im angegebenen Leistungsbereich.*
- b) **Benutzen Sie kein Elektrowerkzeug, dessen Schalter defekt ist.** *Ein Elektrowerkzeug, das sich nicht mehr ein- oder ausschalten lässt, ist gefährlich und muss repariert werden.*
- c) **Ziehen Sie den Netzstecker aus der Steckdose, bevor Sie Geräteeinstellungen vornehmen, Zubehörteile wechseln oder das Gerät weglegen.** *Diese Vorsichtsmaßnahme verhindert den unbeabsichtigten Start des Geräts.*
- d) **Bewahren Sie unbenutzte Elektrowerkzeuge außerhalb der Reichweite von Kindern auf. Lassen Sie Personen das Gerät nicht benutzen, die mit diesem nicht vertraut sind oder diese Anweisungen nicht gelesen haben.** *Elektrowerkzeuge sind gefährlich, wenn Sie von unerfahrenen Personen benutzt werden.*
- e) **Pflegen Sie das Gerät mit Sorgfalt. Kontrollieren Sie, ob bewegliche Geräteteile einwandfrei funktionieren und nicht klemmen, ob Teile gebrochen oder so beschädigt sind, dass die Funktion des Gerätes beeinträchtigt ist. Lassen Sie beschädigte Teile vor dem Einsatz des Gerätes reparieren.** *Viele Unfälle haben ihre Ursache in schlecht gewarteten Elektrowerkzeugen.*
- f) **Halten Sie Schneidwerkzeuge scharf und sauber.** *Sorgfältig gepflegte Schneidwerkzeuge mit scharfen Schneidkanten verkleben sich weniger und sind leichter zu führen.*
- g) **Verwenden Sie Elektrowerkzeug, Zubehör, Einsatzwerkzeuge usw. entsprechend diesen Anweisungen und so, wie es für diesen speziellen Gerätetyp vorgeschrieben ist. Berücksichtigen Sie dabei die Arbeitsbedingungen und die auszuführende Tätigkeit.** *Der Gebrauch von Elektrowerkzeugen für andere als die vorgesehenen Anwendungen kann zu gefährlichen Situationen führen.*
- 5) Umgang mit Akkuwerkzeugen**
- a) **Zum Laden ist ausschließlich das vom Hersteller angegebene Ladegerät zu verwenden.** *Ein Ladegerät, das für eine Art von Akkus geeignet ist, kann bei Verwendung mit einer anderen Art von Akku Brandgefahr verursachen.*
- b) **Elektrowerkzeuge dürfen nur mit speziell dazu bestimmten Akkus verwendet werden,** *da bei der Verwendung anderer Akkus Verletzungs- und Brandgefahr entstehen kann.*
- c) **Wenn der Akku nicht in Gebrauch ist, ist er von Büroklammern, Münzen, Schlüssel, Nägel, Schrauben und anderen kleinen Metallobjekten fernzuhalten, die eine Verbindung zwischen den Polen bilden können.** *Kurzschließen der Pole kann Brand oder Verbrennungen verursachen.*
- d) **Bei falschem Umgang mit dem Akku kann Flüssigkeit aus dem Akku austreten. Die Berührung dieser Flüssigkeit ist zu vermeiden. Bei Berührung den betroffenen Körperteil mit Wasser abspülen. Bei Berührung der Flüssigkeit mit den Augen muss zusätzlich ärztliche Hilfe gerufen werden.** *Die Akkufflüssigkeit kann Reizungen oder Verbrennungen verursachen.*
- 6) Service**
- a) **Lassen Sie Ihre Werkzeuge durch einen qualifizierten Reparaturtechniker ausschließlich mit identischen Ersatzteilen warten.** *So lässt sich eine gleich bleibende Sicherheit des Elektrowerkzeugs gewährleisten.*

### Spezielle Sicherheitsvorschriften

- Halten Sie das Kabel immer von beweglichen Geräteteilen fern.
- Wenn das Gerät blockiert, muß es sofort abgeschaltet und der Stecker aus der Steckdose gezogen werden.
- Vergleichen Sie die maximal zulässige Drehzahl der Zubehörteile mit der Drehzahl des Geräts.
- Verstauen Sie das Gerät erst, nachdem der Motor abgeschaltet wurde und die beweglichen Teile zum Stillstand gekommen sind.
- Befestigen Sie an dem Gerät nie Montageschlüssel mit einer Schnur oder ähnlichem.
- Benutzen Sie den Achsensperrstift nie, wenn das Gerät läuft.
- Achten Sie darauf, daß der Durchmesser der Spannzange mit dem Achsdurchmesser der Zubehörteile übereinstimmt.
- Benutzen Sie zum Befestigen des Werkstücks eine Klemmvorrichtung.
- Halten Sie Ihre Hände fern vom Werkstücks

### Elektrische Sicherheit

Beachten beim Benutzen von Elektromaschinen immer die örtlichen Sicherheitsvorschriften bezüglich Feuerrisiko, Elektroschock und Verletzung. Lesen Sie außer den folgenden Hinweisen ebenfalls die Sicherheitsvorschriften im einschlägigen Sonderteil. Die Hinweise müssen sicher aufbewahrt werden!



*Überprüfen Sie immer, ob Ihre Netzspannung der des Typenschildes entspricht.*



*Gerät der Schutzklasse II – schutzisoliert – kein Schutzkontakt erforderlich.*

### Austauschen von Kabeln oder Steckern

Wenn die Anschlussleitung beschädigt wird, muss sie durch eine besondere Anschlussleitung ersetzt werden, die vom Hersteller oder seinem Kundendienst erhältlich ist. Entsorgen Sie alte Kabeln oder Stecker, unmittelbar nachdem Sie durch neue ersetzt sind. Das Anschließen eines Steckers eines losen Kabels an eine Steckdose ist gefährlich.

### Verwendung von Verlängerungskabeln

Benutzen Sie nur ein genehmigtes Verlängerungskabel, das der Maschinenleistung

entspricht. Die Ader müssen einen Mindestquerschnitt von 1,5 mm<sup>2</sup> haben. Befindet das Kabel sich auf einem Haspel, muß es völlig abgerollt werden.

## 3. Montage des zubehörs



*Ziehen Sie vor der Montage immer den Stecker aus der Steckdose.*



*Achtung! Wechseln Sie Zusatzgeräte, indem Sie ein Zusatzgerät in den Einspannung (oder das Futter) so weit wie möglich einführen, um ungleichmäßigen Lauf oder ein Herausrutschen zu verhindern.*

### Montage des Zubehörs

#### Abb. 1

Drücken Sie auf den Achsensperrknopf (2) und halten Sie ihn fest. Mit dem Spannzangenschlüssel können Sie die Spannzange (1) lösen. Setzen Sie das Zubehörteil ein. Halten Sie den Achsensperrknopf fest, während Sie mit dem Spannzangenschlüssel die Spannzange anziehen.

### Bedienung

Schalten Sie das Gerät mit dem An-/Aus-Schalter ein (A). Die Geschwindigkeit des Combitoool läßt sich mit Hilfe des Stellrädchens (B) regulieren. Setzen Sie das Gerät nicht ab, während der Motor noch läuft. Stellen Sie das Gerät nicht auf eine staubige Oberfläche. Staubteilchen könnten in die Vorrichtung geraten.



*Zu hohe Belastung bei zu niedriger Geschwindigkeit des Combitoool kann zum Verschmoren des Motors führen.*

## 4. Montage der flexible welle und stativ

### Flexible Welle

#### Abb. 2

- Schrauben Sie den Ring um die Spannzange herum ab und entfernen Sie ihn .
- Montieren Sie die flexible Achse auf dem Kombi-Werkzeug, wobei die Innenachse (1) in die Spannzange eingesetzt werden muß. Den Ring der flexiblen Achse (2) können Sie dann auf dem Kombi-Werkzeug festdrehen.



*Bedienen Sie den Achsenspercknopf nie bei laufendem Motor.*

### Stativ für das Combitoool

- Bringen Sie das Stativ am Rand einer Werkbank oder eines Arbeitstisches an, dessen Dicke höchstens 60 mm betragen darf.
- Das Stativ ist höhenverstellbar. Lösen Sie das obere Rohr des Stativs durch Linksdrehen. Ziehen Sie das Rohr bis zur größten Höhe heraus und arretieren Sie es wieder durch Rechtsdrehen.
- Die Halterung ist ebenfalls höhenverstellbar; hierzu drehen Sie den schwarzen Knopf links herum. Nachdem Sie die Halterung in der richtigen Höhe eingestellt haben, drehen Sie den Knopf wieder fest.
- Befestigen Sie das Combitoool an der Halterung des Stativs. Diese Halterung lässt sich um 360° drehen.

### Zubehör für Combitoool

Bevor Sie jedoch ein Zusatzgerät verwenden, muß immer geprüft werden, ob sich die erforderliche Drehzahl des Zusatzgerätes auch für die Höchstgeschwindigkeiten von Combitoool eignen.

### Schleifsteine

#### Abb. 3

Wenn Sie Schleifsteine zum ersten Mal gebrauchen, dann müssen diese immer zuerst mit Hilfe des Wetzsteines ausbalanciert werden. Mit dem Wetzstein kann zudem der Schleifstein speziell geformt werden.

Material	Geschwindigkeit
Stein, Muschel	-
Stahl	+
Aluminium, Messing	+ -
Kunststoff	-

### Filzscheiben und Tip

#### Abb. 4

Die Zubehörteile aus filz müssen auf die mitgelieferte Achse montiert werden.

Material	Geschwindigkeit
Stahl	+
Aluminium, Messing	+ -
Kunststoff	+

### Schleifringe und -scheiben

#### Abb. 5

Material	Geschwindigkeit
Holz	++
Stahl	-
Aluminium, Messing	+ -
Kunststoff	-

### Edelstahl- und Nichtmetallbürsten

#### Abb. 6

Material	Geschwindigkeit
Stein, Muschel	+ -
Aluminium, Messing	+ -

### Fräser, Gravierpunkt und Bohrer

#### Abb. 7

Material	Geschwindigkeit
Stein, Muschel	Max
Stahl	+ -
Aluminium, Messing	++
Kunststoff	-

### Trennscheibe

#### Abb. 8

Material	Geschwindigkeit
Stahl	+
Aluminium, Messing	+ -
Kunststoff	-

## 5. Wartung



*Trennen Sie die Maschine vom Netz, wenn Sie am Mechanismus Wartungsarbeiten ausführen müssen.*

Diese Maschinen sind so konzipiert, dass sie lange Zeit bei minimalem Wartungsaufwand problemlos funktionieren. Durch regelmäßiges Reinigen und sachgerechte Behandlung verlängern Sie die Lebensdauer Ihrer Maschine.

**Reinigen**

Reinigen Sie das Maschinengehäuse regelmäßig mit einem weichen Tuch, vorzugsweise nach jedem Einsatz. Halten Sie die Lüfterschlitze frei von Staub und Schmutz. Entfernen Sie hartnäckigen Schmutz mit einem weichen Tuch, angefeuchtet mit Seifenwasser. Verwenden Sie keine Lösungsmittel wie Benzin, Alkohol, Ammonia, usw. Derartige Stoffe beschädigen die Kunststoffteile.

**Schmierung**

Stellen Sie sicher, dass Sie regelmäßig die flexible Welle schmieren um Überhitzung zu vermeiden.

**Störungen**

Sollte beispielsweise nach Abnutzung eines Teils ein Fehler auftreten, dann setzen Sie sich bitte mit der auf der Garantiekarte angegebenen Service-adresse in Verbindung. Im hinteren Teil dieser Anleitung befindet sich eine ausführliche Übersicht über die Teile, die bestellt werden können.

**Umwelt**

Um Transportschäden zu verhindern, wird die Maschine in einer soliden Verpackung geliefert. Die Verpackung besteht weitgehend aus verwertbarem Material. Benutzen Sie also die Möglichkeit zum Recyclen der Verpackung.



*Schadhafte und/oder entsorgte elektrische oder elektronische Geräte müssen an den dafür vorgesehenen Recycling-Stellen abgegeben werden.*

**Nur für EG-Länder**

Entsorgen Sie Elektrowerkzeuge nicht über den Hausmüll. Entsprechend der Europäischen Richtlinie 2012/19/EU für Elektro- und Elektronikschrott sowie der Einführung in das nationale Recht müssen Elektrowerkzeuge, die nicht mehr im Gebrauch sind, getrennt gesammelt und umweltfreundlich entsorgt werden.

**Garantie**

Lesen Sie die Garantiebedingungen auf der separat beigefügten Garantiekarte.

Das Produkt und das Benutzerhandbuch können geändert werden. Die technischen Daten können ohne Vorankündigung geändert werden.

## COMBITOOL 160W

### Hartelijk dank voor de aanschaf van dit Ferm product.

Hiermee heeft u een uitstekend product aangeschaft van één van de toonaangevende Europese distributeurs.

Alle Ferm producten worden gefabriceerd volgens de hoogste prestatie- en veiligheidsnormen. Deel van onze filosofie is de uitstekende klantenservice die wordt ondersteund door onze uitgebreide garantie.

Wij hopen dat u vele jaren naar tevredenheid gebruik zult maken van dit product.

### De nummers in de nu volgende tekst verwijzen naar de afbeeldingen op pagina 2-3



*Lees deze gebruiksaanwijzing zorgvuldig door, voor u de machine in gebruik neemt. Maak u vertrouwd met de werking en de bediening. Onderhoud de machine volgens de aanwijzingen, zodat zij altijd naar behoren blijft functioneren. Deze gebruiksaanwijzing en de bijbehorende documentatie dienen in de buurt van de machine bewaard te worden.*

### Inhoudsopgave

1. Machinegegevens
2. Veiligheidsvoorschriften
3. Montage van accessoires
4. Montage van de flexibele as en het statief
5. Onderhoud

## 1. Machinegegevens

### Technische specificaties

Spanning	220-240V~
Frequentie	50 Hz
Opgenomen vermogen	160 W
Toerental, onbelast	8.000-35.000/min
Capaciteit, spantang	3.2 + 2.3 mm
Gewicht	1.75 kg
L <sub>pa</sub> (geluidsdruk)	73+3 dB(A)
L <sub>wa</sub> (geluidsvermogen)	84+3 dB(A)
Vibratiewaarde	3.74+1.5 m/s <sup>2</sup>

### Trillingsniveau

Het trillingsemissieniveau, dat in deze gebruiksaanwijzing wordt vermeld, is gemeten in overeenstemming met een gestandaardiseerde test volgens EN 60745; deze mag worden gebruikt om twee machines met elkaar te vergelijken en als voorlopige beoordeling van de blootstelling aan trilling bij gebruik van de machine voor de vermelde toepassingen.

- gebruik van de machine voor andere toepassingen, of met andere of slecht onderhouden accessoires, kan het blootstellingsniveau aanzienlijk verhogen.
- wanneer de machine is uitgeschakeld of wanneer deze loopt maar geen werk verricht, kan dit het blootstellingsniveau aanzienlijk reduceren.

Bescherm uzelf tegen de gevolgen van trilling door de machine en de accessoires te onderhouden, uw handen warm te houden en uw werkwijze te organiseren.

Controleer de machine, losse onderdelen en accessoires op transportschade.

## 2. Veiligheidsvoorschriften

### Uitleg van de symbolen



*Gevaar voor lichamelijk letsel of materiële schade wanneer de instructies in deze handleiding niet worden opgevolgd.*



*Gevaar voor elektrische schok.*



*Het toerental van de machine kan elektronisch worden ingesteld.*



*Draag een stofmasker.*



*Draag een veiligheidsbril.*

## Algemene Veiligheidsvoorschriften



### WAARSCHUWING!

Lees alle veiligheidswaarschuwingen en alle instructies. Het niet opvolgen van onderstaande instructies kan leiden tot een elektrische schok, brand en/of ernstig persoonlijk letsel.

### Bewaar deze instructies.

De term "elektrisch gereedschap" in onderstaande waarschuwingen heeft betrekking op zowel apparatuur met een vaste elektriciteitskabel als op apparatuur met een accu (draadloze apparatuur).

#### 1) Werkgebied

- a) **Zorg voor een opgeruimde en goed verlichte werkomgeving.** Rommelige en donkere werkomgevingen leiden tot ongelukken
- b) **Gebruik elektrisch gereedschap nooit in een omgeving waar explosiegevaar bestaat, zoals in de nabijheid van ontvlambare vloeistoffen, gassen, dampen of andere stoffen.** Elektrische gereedschappen kunnen vonken veroorzaken, die deze stoffen tot ontbranding kunnen brengen.
- c) **Wanneer u elektrisch gereedschap gebruikt, houd dan kinderen en omstanders op afstand.** Wanneer u wordt afgeleid, kunt u de controle over het gereedschap verliezen.

#### 2) Elektrische veiligheid

- a) **Stekkers van elektrische gereedschappen moeten probleemloos passen op het stopcontact. Breng nooit wijzigingen aan in of aan de stekker. Gebruik geen adapters voor geaarde elektrische gereedschappen.** Standaardstekkers en passende stopcontacten verkleinen de kans op een elektrische schok.
- b) **Voorkom lichamen contact met geaarde oppervlakken van bijvoorbeeld pijpen, leidingen, radiatoren, fornuizen en koelkasten.** Wanneer uw lichaam geaard is, wordt de kans op een elektrische schok groter.

- c) **Stel elektrische gereedschappen nooit bloot aan regen of vocht.** Wanneer er water binnendringt in een elektrisch gereedschap, wordt de kans op een elektrische schok groter.
- d) **Gebruik het snoer niet om het elektrisch gereedschap te dragen, te verplaatsen of de stekker uit het stopcontact te trekken.** Bescherm het snoer tegen olie, warmte, scherpe randen en bewegende delen. Beschadigde of vastzittende snoeren vergroten de kans op een elektrische schok.
- e) **Wanneer u elektrische gereedschappen buiten gebruikt, gebruik dan een verlengkabel die geschikt is voor buitengebruik.** Door een kabel te gebruiken die geschikt is voor buitengebruik, wordt de kans op een elektrische schok kleiner.
- f) **Gebruik een aardlekbeveiliging (RCD) als niet te voorkomen is dat een power tool moet worden gebruikt in een vochtige omgeving.** Gebruik van een RCD vermindert het risico van elektrische schokken.

#### 3) Persoonlijke veiligheid

- a) **Blijf altijd alert, kijk goed wat u doet en gebruik uw gezonde verstand wanneer u een elektrisch gereedschap gebruikt.** Gebruik geen elektrische gereedschappen wanneer u moe bent, of drugs, alcohol of medicijnen hebt gebruikt. Eén moment van onachtzaamheid bij het gebruik van elektrische gereedschappen kan ernstige verwondingen tot gevolg hebben.
- b) **Gebruik persoonlijke beschermingsmiddelen. Draag altijd een veiligheidsbril.** Een gepast gebruik van veiligheidsvoorzorgingen, zoals een stof masker, speciale werkschoenen met antislipzolen, een veiligheidshelm en gehoorbescherming verkleinen de kans op persoonlijk letsel.
- c) **Voorkom dat het gereedschap per ongeluk wordt gestart. Zorg dat de schakelaar op de UITpositie staat, voordat u de stekker in het stopcontact steekt.** Draag elektrisch gereedschap nooit met uw vinger op de schakelaar en steek ook nooit de stekker van ingeschakelde elektrische gereedschappen in het stopcontact: dit leidt tot ongelukken.



- d) **Verwijder alle instel en andere sleutels uit het elektrisch gereedschap voordat u hem inschakelt.** *Instel en andere sleutels aan een ronddraaiend onderdeel van het elektrisch gereedschap kunnen tot verwondingen leiden.*
- e) **Zorg dat u nooit uw evenwicht kunt verliezen; houd altijd twee voeten stevig op de vloer.** *Hierdoor kunt u het elektrisch gereedschap in onverwachte situaties beter onder controle houden.*
- f) **Zorg dat u geschikte kleding draagt. Draag geen loshangende kleding of sieraden. Houd uw haar, kleding en handschoenen uit de buurt van bewegende delen.** *Loshangende kleding, sieraden en lang haar kunnen vast komen te zitten in bewegende delen.*
- g) **Wanneer er voorzieningen zijn voor de aansluiting van stofafzuiginstallaties, zorg dan dat ze op de juiste wijze worden aangesloten en gebruikt.** *Gebruik van deze voorzieningen vermindert de gevaren die door stof worden veroorzaakt.*
- 4) Gebruik en onderhoud van elektrisch gereedschap**
- a) **Oefen geen overmatige kracht uit op elektrisch gereedschap. Gebruik het juiste gereedschap voor uw specifieke toepassing.** *Met het juiste elektrische gereedschap voert u de taak beter en veiliger uit wanneer dit op de snelheid gebeurt waarvoor het apparaat is ontworpen.*
- b) **Gebruik nooit elektrisch gereedschap waarvan de AAN/UITschakelaar niet werkt.** *Ieder elektrisch gereedschap dat niet kan worden in en uitgeschakeld met de schakelaar is gevaarlijk en moet worden gerepareerd.*
- c) **Trek de stekker uit het stopcontact voordat u wijzigingen aanbrengt aan elektrische gereedschappen, accessoires verwisselt of het elektrisch gereedschap opbergt.** *Wanneer u zich aan deze preventieve veiligheidsmaatregelen houdt, beperkt u het risico dat het gereedschap per ongeluk wordt gestart.*
- d) **Berg elektrisch gereedschap dat niet in gebruik is op buiten bereik van kinderen en laat personen die niet bekend zijn met het gereedschap of deze instructies het apparaat niet gebruiken.** *Elektrisch gereedschap is gevaarlijk in de handen van ongevoefde gebruikers.*
- e) **Zorg voor een goed onderhoud van elektrisch gereedschap. Controleer of bewegende delen op de juiste wijze zijn vastgezet. Controleer ook of er geen onderdelen defect zijn of dat er andere omstandigheden zijn die van invloed kunnen zijn op de werking van het gereedschap. Laat het gereedschap bij beschadigingen repareren vóór gebruik.** *Veel ongelukken worden veroorzaakt door slecht onderhoud van het gereedschap.*
- f) **Zorg dat snij en zaagwerktuigen scherp en schoon blijven.** *Goed onderhouden snij en zaagwerktuigen met scherpe randen zullen minder snel vastlopen en zijn eenvoudiger onder controle te houden.*
- g) **Gebruik alle elektrische gereedschappen, accessoires, bitjes etc., zoals aangegeven in deze instructies en op de wijze waarvoor het gereedschap is ontworpen. Houd daarbij rekening met de werkomstandigheden en de uit te voeren taak.** *Gebruik van elektrisch gereedschap voor handelingen die afwijken van de taken waarvoor het apparaat is ontworpen kunnen leiden tot gevaarlijke situaties.*
- 5) Gebruik en onderhoud accugereedschap**
- a) **Laad alleen op met de lader die door de fabrikant is gespecificeerd.** *Een lader die voor een bepaalde accu geschikt is, kan brand veroorzaken wanneer deze met een andere accu wordt gebruikt.*
- b) **Gebruik elektrisch gereedschap alleen met de speciaal hiervoor bedoelde accu's.** *Gebruik van andere accu's kan kans op letsel en brand geven.*
- c) **Wanneer de accu niet in gebruik is, houd deze dan uit de buurt van andere metalen voorwerpen zoals paperclips, munten, sleutels, spijkers, schroeven of andere kleine metalen voorwerpen die een verbinding tussen twee polen kunnen maken.** *Kortsluiting tussen de accupolen kan brandwonden of brand veroorzaken.*
- d) **Wanneer de accu niet juist wordt gebruikt, kan er vloeistof uit lopen; raak dit niet aan. Wanneer dit per ongeluk wel gebeurt, spoel dan met water. Wanneer de vloeistof in de ogen komt, moet u een arts raadplegen.** *De vloeistof uit de accu kan irritaties of brandwonden veroorzaken.*

## 6) Service

- a) **Laat uw gereedschap onderhouden door een gekwalificeerde onderhoudstechnicus die alleen gebruikmaakt van identieke vervangingsonderdelen.** Dit zorgt ervoor dat de veiligheid van de powertool intact blijft.

### Speciale veiligheidsvoorschriften

- Houd altijd het snoer verwijderd van de bewegende delen van de machine.
- Schakel in het geval van blokkeren, de machine onmiddellijk uit en trek de stekker uit het stopcontact.
- Vergelijk het maximaal toegestane toerental van de accessoires met het toerental van de machine.
- Als u de machine weglegt moet de motor uitgeschakeld zijn en bewegende delen tot stilstand zijn gekomen.
- Bevestig nooit een montagesleutel aan uw machine met een stuk touw of iets dergelijks.
- Gebruik de spindelblokkeerknop nooit als de machine in werking is.
- Zorg ervoor dat de spantang-diameter overeenkomt met de as-diameter van het accessoire
- Gebruik een materiaalklem voor het vastzetten van het werkstuk.
- Houd uw vingers weg van het draaiende accessoire.

### Elektrische veiligheid

Neem bij het gebruik van elektrische machines altijd de plaatselijk geldende veiligheidsvoorschriften in acht in verband met brandgevaar, gevaar voor elektrische schokken en lichamelijk letsel. Lees behalve onderstaande instructies ook de veiligheids-voorschriften in het apart bijgevoegde veiligheids-katern door. Bewaar de instructies zorgvuldig!



*Controleer altijd of uw netspanning overeenkomt met de waarde op het typeplaatje.*



*Klasse II apparaat - Dubbel geïsoleerd - een geaarde stekker is niet noodzakelijk.*

### Bij vervanging van snoeren of stekkers

Wanneer het netsnoer beschadigd raakt, dan dient het vervangen te worden door een speciaal netsnoer dat verkrijgbaar is bij de fabrikant of

de customer service van de fabrikant. Gooi oude snoeren of stekkers direct weg zodra ze door nieuwe exemplaren zijn vervangen. Het is gevaarlijk om de stekker van een los snoer in een stopcontact te steken.

### Bij gebruik van verlengsnoeren

Gebruik uitsluitend een goedgekeurd verlengsnoer, dat geschikt is voor het vermogen van de machine. De aders moeten een doorsnede hebben van minimaal 1,5 mm<sup>2</sup>. Wanneer het verlengsnoer op een haspel zit, rol het snoer dan helemaal af.

## 3. Montage van accessoires



*Haal vóór het monteren altijd de stekker uit het stopcontact.*



*Waarschuwing! Plaats accessoire zo ver mogelijk in de spantang of spankop, zodat uitloop en onbalans tot een minimum beperkt worden.*

### Montage van accessoires

#### Fig. 1

Druk de spindelblokkeerknop in (2) en houdt deze vast. Middels de spantang-sleutel draait u de spantang (1) los. Breng de accessoire op zijn plaats. Houdt de asblokkeerknop ingedrukt bij het vastdraaien van de spantangmoer met de spantang.

Om een accessoire in de flexibele as te plaatsen blokkeert u de as door de pin in het gat te steken. Vervolgens kunt u met de spansleutel de chuck losdraaien en de accessoire plaatsen. Zorg ervoor dat de pin is verwijderd is voor u de machine weer in gebruik neemt.

### Bediening

Schakel de machine in door de aan/uit-schakelaar (A) in te drukken. U regelt de snelheid door middel van het stelwiel (B). Zet de machine pas weg wanneer de motor volledig is uitgedraaid. Zet de machine niet weg op een stoffige ondergrond. Stofdeeltjes kunnen het mechaniek binnendringen.



*Een te hoge belasting bij een lage snelheid van de Combitool kan de motor laten verbranden.*

## 4. Montage van de flexibele as en het statief

### Flexibele as

#### Fig. 2

- Schroef de ring om de spantang los en verwijder deze.
- Monteer de flexibele as op de Combitool, waarbij de binnenas (1) in de spantang geplaatst moet worden. De ring van de flexibele as (2) kan vervolgens op de Combitool vastgedraaid worden.



*Druk de blokkeerknop nooit in wanneer de machine nog draait.*

### Statief

- Monteer het statief aan de zijkant van een werkbank of werkblad, waarbij de dikte maximaal 60 mm mag zijn.
- Het statief is verstelbaar in hoogte. Draai de bovenste buis van het statief los door deze naar links te draaien. Trek de buis uit tot zijn maximale hoogte en zet het vast door de buis rechtersom te draaien.
- De ophangbeugel is in hoogte verstelbaar, door de zwarte knop los te draaien. Nadat u de ophangbeugel op de juiste hoogte heeft ingesteld draait u de knop weer vast.
- Bevestig de Combitool aan de ophangbeugel van het statief, deze ophangbeugel kan 360° gedraaid worden.

### Accessoires voor de Combitool

Voor u accessoires gebruikt controleert u altijd of het toegestane toerental van de accessoire geschikt is voor de hoogste snelheid van de Combitool.

### Slijpstenen

#### Fig. 3

Indien u slijpstenen voor de eerste maal gebruikt, maak dan gebruik van de wetsteen om de slijpstenen uit te ballanceren. Ook kan de wetsteen worden gebruikt om de slijpsteen een speciale vorm te geven.

Materiaal	Snelheid
Steen, gips	-
Staal	+
Aluminium, messing	+ -
Kunststof	-

### Vilten schijven en tips

#### Fig. 4

De vilten accessoires dienen op de bijgeleverde as te worden gemonteerd.

Materiaal	Snelheid
Staal	+
Aluminium, messing	+ -
Kunststof	+

### Schuurbanden en -schijven

#### Fig. 5

Materiaal	Snelheid
Hout	++
Staal	-
Aluminium, messing	+ -
Kunststof	-

### Metalen- en kunststof borstels

#### Fig. 6

Materiaal	Snelheid
Steen, gips	+ -
Aluminium, messing	+ -

### HSS freesje, graveerpunt en boortje

#### Fig. 7

Materiaal	Snelheid
Steen, gips	Max
Staal	+ -
Aluminium, messing	++
Kunststof	-

### Doorslijpschijf

#### Fig. 8

Materiaal	Snelheid
Staal	+
Aluminium, messing	+ -
Kunststof	-

## 5. Onderhoud



*Zorg dat de machine niet onder spanning staat wanneer onderhoudswerkzaamheden aan het mechaniek worden uitgevoerd.*

Deze machine is ontworpen om gedurende lange tijd probleemloos te functioneren met een minimum aan onderhoud. Door de machine regelmatig te reinigen en op de juiste wijze te behandelen, draagt u bij aan een hoge levensduur van uw machine.

### Reinigen

Reinig de machinebehuizing regelmatig met een zachte doek, bij voorkeur iedere keer na gebruik. Zorg dat de ventilatiesleuven vrij van stof en vuil zijn. Gebruik bij hardnekkig vuil een zachte doek bevochtigd met zeepwater. Gebruik geen oplosmiddelen als benzine, alcohol, ammonia, etc. Dergelijke stoffen beschadigen de kunststof onderdelen.

### Smeren

Zorg dat u de flexibele as regelmatig smeert om overmatige warmte ontwikkeling te voorkomen.

### Storingen

Wanneer er zich een storing voordoet, bijvoorbeeld bij slijtage van een onderdeel, neem dan contact op met het onderhoudsadres op de garantiekaart. Achter in deze handleiding ziet u een opengewerkte afbeelding van de onderdelen die besteld kunnen worden.

### Milieu

Om transportbeschadiging te voorkomen, wordt de machine in een stevige verpakking geleverd. De verpakking is zo veel mogelijk gemaakt van recyclebaar materiaal. Maak daarom gebruik van de mogelijkheid om de verpakking te recyclen.



*Defecte en/of afgedankte elektrische of elektronische gereedschappen dienen ter verwerking te worden aangeboden aan een daarvoor verantwoordelijke instantie.*

### Uitsluitend voor EG-landen

Werp elektrisch gereedschap niet weg bij het huisvuil. Volgens de Europese Richtlijn 2012/19/EU voor Afgedankte Elektrische en Elektronische Apparatuur en de implementatie ervan in nationaal recht moet niet langer te gebruiken elektrisch gereedschap gescheiden worden verzameld en op een milieuvriendelijke wijze worden verwerkt.

### Garantie

Lees voor de garantievoorwaarden de apart bijgevoegde garantiekaart.

Het product en de gebruikershandleiding zijn onderhevig aan wijzigingen. Specificaties kunnen zonder opgaaf van redenen worden gewijzigd.

## OUTIL MULTIFONCTION 160W

### Merci pour votre achat de ce produit Ferm.

Vous disposez maintenant d'un excellent produit, proposé par l'un des principaux fabricants européens. Tous les produits que vous fournit Ferm sont fabriqués selon les normes les plus exigeantes en matière de performances et de sécurité. Complété par notre garantie très complète, l'excellence de notre service clientèle forme également partie intégrante de notre philosophie. Nous espérons que vous profiterez longtemps de ce produit.

**Les numéros dans le texte suivant réfèrent aux illustrations des page 2 - 3.**



*Lisez attentivement ce mode d'emploi avant la mise en service de l'appareil. Familiarisez-vous avec le fonctionnement et la manipulation de l'appareil. Entretenez l'appareil conformément aux instructions, afin qu'il fonctionne parfaitement à chaque utilisation. Ce mode d'emploi et toute documentation relative à l'appareil doivent être conservés près de celui-ci.*

### Table des matières

1. Spécifications techniques
2. Consignes de sécurité
3. Montage des accessoires
4. Montage de l'axe flexible et support
5. Entretien

## 1. Spécifications techniques

### Caracteristeques techniques

Tension	220-240V~
Fréquence	50 Hz
Puissance consommée	160 W
Vitesse à vide	8.000-35.000/min
Capacité griffe de serrage	3.2+2.3 mm
Poids	1.75 kg
Lpa (pression sonore)	73+3 dB(A)
Lwa (puissance sonore)	84+3 dB(A)
Valeur vibratoire	3.74 m/s <sup>2</sup>

### Niveau de vibrations

Le niveau de vibrations émises indiqué en ce manuel d'instruction a été mesuré conformément à l'essai normalisé de la norme EN 60745; il peut être utilisé pour comparer plusieurs outils et pour réaliser une évaluation préliminaire de l'exposition aux vibrations lors de l'utilisation de l'outil pour les applications mentionnées.

- l'utilisation de l'outil dans d'autres applications, ou avec des accessoires différents ou mal entretenus, peut considérablement augmenter le niveau d'exposition.
- la mise hors tension de l'outil et sa non-utilisation pendant qu'il est allumé peuvent considérablement réduire le niveau d'exposition.

Protégez-vous contre les effets des vibrations par un entretien correct de l'outil et de ses accessoires, en gardant vos mains chaudes et en structurant vos schémas de travail.

Vérifiez si la machine, les pièces détachées et les accessoires n'ont pas été endommagés au transport.

## 2. Consignes de sécurité

### Explication des symboles



*Indique un risque de blessures, un danger mortel ou un risque d'endommagement de l'outil en cas du non-respect des consignes de ce mode d'emploi.*



*Indique un risque de décharges électriques.*



*Le nombre de rotations de la machine peut être réglé électroniquement.*



*Portez un masque anti-poussière.*



*Portez des accessoires de protection pour les yeux.*

## Consignes générales de sécurité



### AVERTISSEMENT!

**Veillez lire l'intégralité des avertissements de sécurité et des instructions.** *Le nonrespect de toutes les instructions indiquées cidessous peut entraîner un risque de choc électrique, d'incendie et/ou de blessures graves.*

### Conservez ces instructions.

Le terme "appareil électrique" mentionné dans tous les avertissements cidessous se rapporte à un appareil électrique qui se branche au réseau électrique (grâce à un câble d'alimentation) ou à un appareil électrique (sans fil) fonctionnant grâce à une batterie.

#### 1) espace de travail

- a) **Veillez toujours à garder votre espace de travail propre et bien éclairé.** *Les espaces mal rangés et sombres peuvent être la cause d'accidents.*
- b) **N'utilisez pas les appareils électriques dans des environnements susceptibles d'explosion, par exemple en présence de liquides inflammables, de gaz ou de particules.** *Les appareils électriques provoquent des étincelles qui peuvent enflammer les particules des émanations.*
- c) **Veillez à garder éloignés les enfants et les personnes se trouvant dans votre voisinage, lors de l'utilisation d'un appareil électrique.** *Les distractions peuvent vous faire perdre le contrôle de l'appareil.*

#### 2) mesures de sécurité électriques

- a) **Les prises des appareils électriques doivent être raccordées à la prise murale correspondante. Ne modifiez jamais la prise de l'appareil, de quelque façon que ce soit. N'utilisez pas d'adaptateurs qui mettent les appareils électriques à la terre (mise à la masse).** *Des prises non modifiées et branchées à la prise murale correspondante réduiront les risques de choc électrique.*
- b) **Évitez le contact direct avec les surfaces mises à la terre ou mises à la masse comme les canalisations, les radiateurs, les cuisinières et les réfrigérateurs.** *En effet, le risque de choc électrique s'accrût si votre corps est mis à la terre ou à la masse.*

- c) **N'utilisez pas d'outils électriques dans des environnements pluvieux ou humides.** *Si de l'eau s'introduit dans un appareil électrique, le risque de choc électrique augmentera.*
- d) **N'utilisez pas le câble de manière abusive. N'utilisez jamais le câble pour transporter, tirer ou débrancher l'appareil électrique.** *Veillez à garder le câble éloigné des sources de chaleur, des huiles, des rebords coupants ou des pièces actionnées.* *Les câbles endommagés ou entremêlés augmentent le risque de choc électrique.*
- e) **Lorsque un appareil est utilisé à l'extérieur, utilisez uniquement un câble prolongateur prévu à cet effet.** *L'utilisation d'un câble à usage extérieur réduit le risque de choc électrique.*
- f) **Si vous êtes contraint d'utiliser un outil électrique dans un environnement humide, utilisez une alimentation protégée par un dispositif à courant résiduel (RCD).** *L'utilisation d'un RCD réduit le risque de décharge électrique.*

#### 3) Sécurité personnelle

- a) **Restez vigilant, gardez un œil sur ce que vous faites et utilisez votre sens commun lors de l'utilisation d'un appareil électrique.** *N'utilisez pas un appareil électrique si vous êtes fatigué ou si vous êtes sous l'influence de drogues, d'alcool ou si vous prenez des médicaments.* *Un moment d'inattention lors de l'utilisation des appareils électriques peut entraîner des blessures graves.*
- b) **Utilisez un équipement de protection personnelle. Protégezvous toujours les yeux.** *Les équipements de protection, tels qu'un masque à poussière, des chaussures antidérapantes, des protections auditives ou un casque de sécurité, utilisés dans de bonnes conditions, réduiront le risque de blessures.*
- c) **Prévenez tout démarrage involontaire. Assurezvous que l'interrupteur est sur la position "arrêt avant de brancher l'appareil.** *En effet, le transport des appareils électriques en gardant vos doigts sur l'interrupteur, ou le branchement de ces appareils en ayant l'interrupteur sur "marche accidents.*
- d) **Retirez les clés de réglage ou les clés de vis de réglage avant d'allumer l'appareil électrique.** *Une clé de vis de réglage ou une*

*clé, laissée sur une pièce en mouvement de l'appareil électrique, peut entraîner des lésions corporelles.*

- e) **Ne pas se précipiter. Gardez toujours vos pieds à plat et gardez votre équilibre.** Ceci permet de mieux contrôler l'appareil électrique dans des situations imprévues.
- f) **Habillez-vous convenablement. Ne portez pas de vêtements lâches ou de bijoux.** Gardez vos cheveux, vêtements et gants éloignés des pièces actionnées. *En effet, ces derniers peuvent être pris dans les pièces en action.*
- g) **Si les appareils sont fournis pour la connexion des équipements d'évacuation et de récupération de la poussière, assurez-vous que ces derniers soient correctement connectés et utilisés.** *L'utilisation de ces appareils peut réduire les risques liés à la poussière.*

#### 4) Utilisation et entretien d'un appareil électrique

- a) **Ne forcez pas l'appareil électrique. Utilisez l'appareil électrique adéquat pour votre application.** *Un appareil électrique correctement choisi assurera un meilleur travail et un travail sans danger, au rythme auquel il a été conçu.*
- b) **N'utilisez pas l'appareil électrique si l'interrupteur marche/arrêt ne fonctionne pas.** *Un appareil électrique qui ne peut pas être commandé par l'interrupteur de contrôle est dangereux et doit être réparé.*
- c) **Débranchez la prise du bloc d'alimentation avant d'effectuer des réglages, de changer des accessoires, ou de ranger les appareils électriques.** *Ces mesures de sécurité préventives réduiront le risque de démarrage involontaire de l'appareil électrique.*
- d) **Rangez les appareils électriques arrêtés hors de la portée des enfants et ne laissez aucune personne, non familiarisée avec l'outil ou ces instructions, utiliser l'appareil électrique.** *Les appareils électriques sont dangereux entre les mains d'utilisateurs non formés.*
- e) **Entretenez les appareils électriques. Vérifiez tout défaut d'alignement et l'enchaînement des pièces actionnées, la rupture de ces dernières, et les autres conditions qui peuvent affecter le fonctionnement des appareils électriques.**

**En cas de dommages, faites réparer l'appareil électrique avant de le réutiliser.** *Nombreux sont les accidents provoqués par des appareils électriques mal entretenus.*

- f) **Veillez à garder les outils coupants aiguisés et propres.** *Des outils coupants correctement entretenus avec des lames aiguisées sont moins susceptibles de se bloquer et sont plus faciles à contrôler.*
- g) **Utilisez l'appareil électrique, les accessoires et les embouts, etc., conformément à ces instructions et de la manière prévue pour le type spécifique de l'appareil électrique, en prenant en compte les conditions de travail et le travail à effectuer.** *L'utilisation de l'appareil électrique dans des applications différentes de celles prévues peut entraîner des situations dangereuses.*

#### 5) Utiliser et soigner les outils à batterie

- a) **Rechargez la batterie uniquement avec le chargeur spécifié par le fabricant.** *Un chargeur adapté à une certaine batterie peut être cause de danger d'incendie quand on l'utilise avec une batterie différente.*
- b) **Utilisez chaque outil uniquement avec la batterie conçue pour lui.** *L'utilisation de toute autre batterie peut être cause de danger de blessure ou d'incendie.*
- c) **Lorsque une batterie n'est pas en usage, gardez-la hors d'atteinte d'objets métalliques tels que les trombones, pièces de monnaie, clés, clous, vis et autres petits objets métalliques pouvant faire le contact entre une borne et l'autre.** *Un court-circuit entre les bornes de la batterie peut être cause de brûlures ou d'incendie.*
- d) **Dans des circonstances extrêmes, du liquide peut gicler hors de la batterie ; évitez tout contact. En cas de contact accidentel, rincez à l'eau. En cas de contact du liquide avec les yeux, consultez un médecin.** *Le liquide qui gicle d'une batterie peut causer irritations ou brûlures.*

#### 6) Maintenance

- a) **L'entretien de votre outil électrique doit être confié à un réparateur qualifié qui utilise uniquement des pièces de rechange identiques aux pièces d'origine.** *Cela permet d'assurer la sécurité de l'outil électrique.*

### Consignes de sécurité spéciales

- Veillez toujours à ce que le câble électrique se tienne loin des parties mouvantes de la machine.
- Dans le cas de blocage, stoppez immédiatement la machine et retirez la fiche de la prise électrique.
- Comparez la vitesse de rotation autorisée des accessoires avec celle de la machine.
- Si vous rangez la machine, le moteur devra être en position d'arrêt et les parties mouvantes immobiles.
- Ne fixez jamais une clé de montage sur votre machine à l'aide d'une ficelle ou d'un autre matériel semblable.
- N'utilisez jamais le bouton de blocage de l'essieu pendant la marche de la machine.
- Veillez à ce que le diamètre de la griffe de serrage corresponde avec le diamètre de l'essieu de l'accessoire.
- Utilisez un dispositif de serrage pour fixer la pièce à usiner.
- Tenez vos mains à l'écart de la pièce à usiner.

### Sécurité électrique

Lors d'utilisation de machines électriques, observez les consignes de sécurité locales en vigueur en matière de risque d'incendie, de chocs électriques et de lésion corporelle. En plus des instructions ci-dessous, lisez entièrement les consignes de sécurité contenues dans le cahier de sécurité fourni à part. Conservez soigneusement ces instructions!



*Vérifiez toujours si la tension de votre réseau correspond à la valeur mentionnée sur la plaque signalétique.*



*Machine de la classe II – Double isolation – vous n'avez pas besoin d'une prise avec mise à terre.*

### En cas de changement de câbles ou de fiches

Si le câble d'alimentation électrique est endommagé, il doit être remplacé par un câble d'alimentation électrique spécial disponible auprès du fabricant ou de son service clientèle. Jetez les vieux câbles ou prises immédiatement après les avoir remplacés par de nouveaux. Il est dangereux de brancher un câble lâche.

### En cas d'emploi de câbles prolongateurs

Employez exclusivement un câble prolongateur homologué, dont l'usage est approprié pour la puissance de la machine. Les fils conducteurs doivent avoir une section minimale de 1,5 mm<sup>2</sup>. Si le câble prolongateur se trouve dans un dévidoir, déroulez entièrement le câble.

## 3. Montage des accessoires



*Avant le montage retirez toujours la fiche de la prise électrique.*



*Avertissement ! Changez les accessoires en les introduisant au maximum dans le collier (ou le mandrin), afin de minimiser les déséquilibres et éviter qu'ils ressortent.*

### Montage des accessoires

#### Fig. 1

Enfoncez le bouton de blocage de l'essieu (2) et tenez-le enfoncé. Vous pouvez dévisser la griffe de serrage (1) au moyen de la clé de griffe de serrage. Placez l'accessoire. Tenez enfoncé le bouton de blocage de l'essieu, lorsque vous serrez la griffe de serrage avec la clé de griffe de serrage.

### Fonctionnement

Mettez le moteur en marche en appuyant sur le bouton de marche / arrêt (A). En réglant la petite roue de réglage (B) vous pourrez régler la vitesse du Multitour électrique. Ne posez la machine que lorsque le moteur est en arrêt complet. Ne posez pas la machine sur un sol poussiéreux. Des particules de poussière peuvent s'infiltrer dans le mécanisme.



*Une charge trop élevée par une vitesse trop basse du Multitour peut faire griller le moteur.*



## 4. Montage de l'axe flexible et support

### Axe flexible

#### Fig. 2

- Desserrez l'anneau autour de la pince de serrage et retirez-le.
- Montez l'arbre flexible sur le Combitoool, l'axe intérieur (1) étant placé dans la pince de serrage. L'anneau de l'arbre flexible (2) peut ensuite être serré sur le Combitoool.



*Ne faites jamais fonctionner le bouton de blocage de l'essieu, dans le cas où le moteur tourne encore.*

### Support du Multitour

- Fixez le support sur le bord d'un établi ou d'une table dont l'épaisseur ne dépasse pas 60 mm.
- La hauteur du support est réglable. Desserrez le tube situé en haut du support en le tournant dans le sens inverse des aiguilles d'une montre. Tirez le tube jusqu'à sa hauteur maximum et resserrez-le en le tournant dans le sens des aiguilles d'une montre.
- La hauteur du support de suspension se règle en desserrant le bouton noir. Après avoir ajusté le support de suspension à la hauteur souhaitée, resserrez le bouton.
- Accrochez le Combitoool au support de suspension. Ce dernier peut effectuer une rotation de 360°.

### Accessoires pour le Multitour

Avant d'utiliser vos accessoires, vérifiez toujours si le régime autorisé de l'accessoire est adapté à la vitesse la plus élevée du Combitoool.

### Pierres à aiguiser

#### Fig. 3

Si vous utilisez pour la première fois des pierres à aiguiser, utilisez la meule à aiguiser pour l'équilibrage de la pierre. La meule à aiguiser peut également être utilisée pour donner une forme spéciale à la pierre.

Matériau	Vitesse
Pierre, coquille	-
Acier	+
Aluminium, laiton	+ -
Plastique	-

### Disque et pointe en feutre

#### Fig. 4

Les accessoires en feutre doivent être montés sur l'axe fourni.

Matériau	Vitesse
Acier	+
Aluminium, laiton	+ -
Plastique	+

### Bandes et disques à poncer

#### Fig. 5

Matériau	Vitesse
Bois	++
Acier	-
Aluminium, laiton	+ -
Plastique	-

### Brosses en acier inoxydable et non métalliques

#### Fig. 6

Matériau	Vitesse
Pierre, coquille	+ -
Aluminium, laiton	+ -

### Fraise, pointe à graver et mèche

#### Fig. 7

Matériau	Vitesse
Pierre, coquille	Max
Acier	+ -
Aluminium, laiton	++
Plastique	-

### Meules tronçonnées

#### Fig. 8

Matériau	Vitesse
Acier	+
Aluminium, laiton	+ -
Plastique	-

## 5. Entretien



*Assurez-vous que la machine n'est pas sous tension si vous allez procéder à des travaux d'entretien dans son système mécanique.*

Ces appareils sont mis au point pour fonctionner sur une longue période de temps sans problème et avec un entretien minimal. Vous allongerez la durée de vie de votre appareil si vous le nettoyez régulièrement et l'utilisez avec soin.

### Nettoyage

Nettoyez régulièrement le carter au moyen d'un chiffon doux, de préférence à l'issue de chaque utilisation. Veillez à ce que les fentes d'aération soient indemnes de poussière et de saletés. En présence de saleté tenace, employez un chiffon doux humecté d'eau savonneuse. Proscrivez l'emploi de solvants comme l'essence, l'alcool, l'ammoniaque etc. car ces substances attaquent les pièces en plastique.

### Graissage

Assurez-vous de lubrifier l'arbre flexible régulièrement pour éviter la génération de chaleur excessive.

### Dysfonctionnements

Veillez vous adresser au centre de service indiqué sur la carte de garantie en cas d'un dysfonctionnement, par exemple après l'usure d'une pièce.

Vous trouverez, à la fin de ce manuel, un schéma avec toutes les pièces que vous pouvez commander.

### Environnement

Pour éviter les dommages liés au transport, la machine est livré dans un emballage robuste. L'emballage est autant que possible constitué de matériau recyclable. Veuillez par conséquent destiner cet emballage au recyclage.



*Tout équipement électronique ou électrique défectueux dont vous seriez débarrassé doit être déposé aux points de recyclage appropriés.*

### Uniquement pour les pays CE

Ne jetez pas les outils électriques avec les déchets domestiques. Selon la directive européenne 2012/19/EU « Déchets d'équipements électriques et électroniques » et sa mise en œuvre dans le droit national, les outils électriques hors d'usage doivent être collectés séparément et mis au rebut de manière écologique.

### Garantie

Pour les conditions de garantie, lisez le certificat de garantie joint à part.

Le produit et le manuel d'utilisation sont sujets à modifications. Les spécifications peuvent changer sans autre préavis.

## NARZĘDZIE WIELOFUNKCYJNE 160W

**Dziękujemy za zakup urządzenia firmy Ferm.** W ten sposób nabyli Państwo znakomity produkt, opracowany przez jednego z czołowych dostawców w Europie. Wszystkie produkty sprzedawane przez firmę Ferm są produkowane zgodnie z najwyższymi standardami wydajności i bezpieczeństwa. W ramach naszej filozofii oferujemy również znakomity serwis klienta, oparty na wszechstronnej gwarancji. Mamy nadzieję, że urządzenie będzie Państwu doskonale służyć przez wiele lat.

**Liczby w tekście odnoszą się do schematów na stronie 2-3**



*Przed użyciem urządzenia należy zapoznać się z treścią instrukcji obsługi. Zapoznać się z funkcjami oraz podstawami dot. obsługi. Z urządzeniem należy postąpić zgodnie ze wskazówkami, aby zapewnić właściwe działanie poszczególnych funkcji. Instrukcja obsługi oraz dokumentacja na temat urządzenia powinna znajdować się zawsze w pobliżu urządzenia.*

### Spis treści

1. Informacje o urządzeniu
2. Instrukcje bezpieczeństwa
3. Montowanie akcesoriów
4. Konserwacja

## 1. Informacje o urządzeniu

### Dane techniczne

Napięcie	220-240V~
Częstotliwość	50 Hz
Pobór mocy	160 W
Liczba obrotów, bez obciążenia	8.000-35.000/min
Gniazdo na akcesoria	3.2 + 2.3 mm
Masa	1.75 kg
LpA hałas (ciśnienie)	73+3 dB(A)
LwA hałas (nateżenie)	84+3 dB(A)
Wibracje	3.74+1.5 m/s <sup>2</sup>

### Poziom wibracji

Poziom emisji wibracji podany na końcu tej instrukcji został zmierzony zgodnie z testem standaryzowanym podanym w EN 60745; może służyć do porównania jednego narzędzia z innym i jako ocena wstępna narażenia na wibracje w trakcie używania narzędzia do wymienionych zadań.

- używanie narzędzia do innych zadań, lub z innymi albo źle utrzymanymi akcesoriami, może znacząco zwiększyć poziom narażenia.
- przypadki, kiedy narzędzie jest wyłączone lub jest czynne, ale aktualnie nie wykonuje zadania, mogą znacząco zmniejszyć poziom narażenia.

Należy chronić się przed skutkami wibracji przez konserwację narzędzia i jego akcesoriów, zakładanie rękawic i właściwą organizację pracy.

Najpierw sprawdź, czy maszyna nie została uszkodzona podczas transportu i/lub, czy w opakowaniu znajdują się wszystkie części.

## 2. Instrukcje bezpieczeństwa

### Objaśnienie symboli



*W razie nie przestrzegania danej instrukcji obsługi może powstać ryzyko zranienia oraz zgonienia personelu lub uszkodzenia narzędzia.*



*Wskazuje na niebezpieczeństwo porażenia prądem elektrycznym.*



*Ilość obrotów urządzenia można ustawić elektronicznie.*



*Załóż okulary ochronne.*



*Należy stosować odpowiednią ochronę słuchu*

## Ogólne zalecenia dotyczące bezpieczeństwa



### UWAGA!

Przeczytać wszystkie ostrzeżenia dotyczące bezpieczeństwa i wszystkie instrukcje. Nieprzestrzeganie wszystkich poniższych instrukcji może być przyczyną porażenia prądem, pożaru i/lub poważnych obrażeń.

### Zachowaj poniższe instrukcje.

Termin „elektronarzędzia akumulatorowe” we wszystkich ostrzeżeniach zamieszczonych poniżej odnosi się do elektronarzędzi akumulatorowych zasilanych sieciowo (przewodowych) lub elektronarzędzi akumulatorowych działających na baterie (beprzewodowych).

#### 1) Obszar roboczy

- a) **Obszar roboczy należy utrzymywać w czystości.** Powinien on być dobrze oświetlony. Nieład i złe oświetlenie mogą z łatwością doprowadzić do wypadku.
- b) **Nie korzystaj z elektronarzędzi akumulatorowych w warunkach, w których łatwo może dojść do wybuchu, np. w obecności łatwopalnych cieczy, gazów lub pyłu.** Podczas pracy elektronarzędzi akumulatorowych powstają iskry, które mogą doprowadzić do zapłonu pyłu lub oparów.
- c) **Dzieci i inne osoby postronne powinny pozostać w bezpiecznej odległości od pracującego urządzenia.** Rozproszenie uwagi może spowodować utratę kontroli nad urządzeniem.

#### 2) Bezpieczeństwo związane z elektrycznością

- a) **Wtyczki elektronarzędzi akumulatorowych muszą być odpowiednie do danego gniazda.** Pod żadnym pozorem nie należy modyfikować wtyczki w jakikolwiek sposób. Nie należy używać adapterów, które uziemiają elektronarzędzia akumulatorowe. Stosowanie wtyczek nie poddanych modyfikacjom oraz odpowiednich gniazd zmniejsza ryzyko porażenia prądem.
- b) **Należy unikać bezpośredniego kontaktu fizycznego z powierzchniami uziemionymi, takimi jak rury, grzejniki, kuchenki, lodówki.** Ryzyko porażenia prądem jest większe, jeśli ciało osoby obsługującej urządzenie jest uziemione.
- c) **Nie należy wystawiać elektronarzędzi akumulatorowych na działanie deszczu lub wilgoci.** Dostanie się wody do wnętrza elektronarzędzia akumulatorowego zwiększa ryzyko porażenia prądem.

- d) **Nie należy używać przewodu w niewłaściwy sposób.** Pod żadnym pozorem nie należy wykorzystywać przewodu do przenoszenia lub ciągnięcia elektronarzędzia akumulatorowego, ani do jego odłączania od sieci. Przewodu nie należy wystawiać na działanie ciepła, smarów. Powinien on znajdować się w bezpiecznej odległości od ostrych krawędzi i części ruchomych. Przewody uszkodzone lub poplątane zwiększają ryzyko porażenia prądem.
- e) **Podczas korzystania z elektronarzędzia akumulatorowego na wolnym powietrzu, należy używać przewodu przedłużacza przystosowanego do użytku na zewnątrz.** Używanie przewodu nadającego się do użytku na wolnym powietrzu zmniejsza ryzyko porażenia prądem.
- f) **Jeśli obsługa elektronarzędzia w wilgotnym miejscu jest nieunikniona, użyć zasilania wyposażonego w wyłącznik różnicowo-prądowy.** Użycie wyłącznika różnicowo-prądowego zmniejsza ryzyko porażenia prądem.

#### 3) Bezpieczeństwo osoby obsługującej urządzenie

- a) **Przez cały czas należy mieć się na baczności, uważać na to, co się robi, a w czasie obsługi elektronarzędzia akumulatorowego postępować mając na uwadze zdrowy rozsądek.** Urządzenia nie powinny obsługiwać osoby zmęczone lub będące pod wpływem narkotyków, alkoholu lub leków. Chwila nieuwagi w czasie obsługi elektronarzędzi akumulatorowych może być przyczyną powstania poważnych obrażeń ciała.
- b) **Należy korzystać ze sprzętu ochronnego oraz zawsze nosić okulary ochronne.** Sprzęt ochronny, jak na przykład maska przeciwpyłowa, antypoślizgowe obuwie ochronne, kask lub słuchawki ochronne używany we właściwych sytuacjach pozwoli na zmniejszenie ryzyka obrażeń ciała.
- c) **Unikać niezamierzonego uruchomienia.** Przed podłączeniem urządzenia do sieci, zawsze sprawdzić, czy przełącznik znajduje się w pozycji „wyłączony”. Przenoszenie elektronarzędzi z palcem na przełączniku lub włączonych elektronarzędzi z przełącznikiem w położeniu włączenia jest bardzo niebezpieczne i może powodować wypadki.
- d) **Przed włączeniem elektronarzędzia akumulatorowego należy usunąć z niego wszystkie klucze nastawcze lub maszynowe.** Pozostawienie klucza zamocowanego na jednej

z części obrotowych urządzenia może spowodować powstanie obrażeń ciała.

- e) Nie należy sięgać ponad urządzeniem. Przez cały czas należy zachować odpowiednią równowagę i zapewnić odpowiednie oparcie dla stóp. Pozwoli to na lepsze kontrolowanie urządzenia w nieoczekiwanych sytuacjach.
  - f) Należy nosić odpowiednie ubranie. Do pracy z urządzeniem nie wkładać luźnych ubrań ani biżuterii. Włosy, ubranie i rękawiczki trzymać z dala od części ruchomych. Luźne części ubrania, biżuteria lub długie włosy mogą zostać wciągnięte przez części ruchome.
  - g) Jeśli w urządzeniu przewidziano elementy służące do odprowadzania i zbierania pyłu, należy sprawdzić, czy są podłączone, i czy działają we właściwy sposób. Korzystanie z tego typu elementów pozwala ograniczyć ryzyko związane z wydzielaniem pyłu podczas pracy urządzenia.
- 4) Obsługa i konserwacja elektronarzędzi akumulatorowych
- a) Urządzenia nie należy przeciążać. Należy korzystać z narzędzia odpowiedniego do danego typu pracy. Odpowiednio dobrane urządzenie pozwoli na lepsze i bezpieczniejsze wykonanie pracy, we właściwym dla urządzenia tempie.
  - b) Z elektronarzędzia akumulatorowego nie należy korzystać, jeśli nie można go włączyć i wyłączyć przy pomocy przełącznika. Urządzenie, którego nie można kontrolować używając przełącznika jest niebezpieczne i powinno być oddane do naprawy.
  - c) Przed przystąpieniem do regulowania elektronarzędzi akumulatorowych, wymiany akcesoriów lub przygotowywania urządzeń do okresu przechowywania, należy odłączyć wtyczkę od źródła zasilania. Tego typu środki ostrożności zmniejszają ryzyko przypadkowego uruchomienia urządzenia.
  - d) Niezyczne elektronarzędzia akumulatorowe należy przechowywać poza zasięgiem dzieci. Nie należy pozwolić, aby osoby nie znające urządzenia lub niniejszych instrukcji obsługi używały urządzenia. Elektronarzędzia akumulatorowe w rękach niekompetentnych użytkowników stanowią zagrożenie.
  - e) Elektronarzędzia akumulatorowe należy utrzymywać w dobrym stanie technicznym. Należy sprawdzać, czy części ruchome są właściwie założone, i czy się nie zacinają. Należy również sprawdzać, czy jakieś części

nie są uszkodzone oraz sprawdzać wszelkie inne elementy, które mogą wpłynąć na pracę urządzeń. Jeśli urządzenie jest uszkodzone, przed przystąpieniem do jego użytkowania, należy je naprawić. Częstą przyczyną wypadków jest zły stan techniczny urządzeń.

- f) Narzędzia służące do cięcia powinny być naostrzone i utrzymywane w czystości. Jeśli narzędzia służące do cięcia, które posiadają ostre krawędzie tnące, są właściwie konserwowane, istnieje mniejsze prawdopodobieństwo ich zacinania się. Ponadto, łatwiej je kontrolować.
  - g) Elektronarzędzia akumulatorowego, akcesoriów, nakładek, itp. należy używać zgodnie z niniejszymi instrukcjami oraz w sposób właściwy dla danego rodzaju urządzenia, z u wzięciem pod uwagę warunków pracy oraz jej rodzaju. Używanie urządzenia niezgodnie z przeznaczeniem może prowadzić do powstania sytuacji niebezpiecznych.
- 5) Użytkowanie i konserwacja urządzenia zasilanego akumulatorami
- a) Ładować tylko przy użyciu ładowarki określonej przez producenta. Ładowarka przewidziana dla jednego rodzaju akumulatorów stwarza ryzyko pożaru w przypadku użycia jej z innym zestawem akumulatorów.
  - b) Należy używać jedynie akumulatorów przeznaczonych dla danego urządzenia. Użycie innych akumulatorów stwarza ryzyko wystąpienia obrażeń ciała lub pożaru.
  - c) Kiedy akumulatorki nie są używane, należy przechowywać je z dala od przedmiotów metalowych, takich jak spinacze do papieru, monety, klucze, gwoździe, śruby lub inne niewielkie przedmioty metalowe, które mogłyby spowodować zwarcie pomiędzy stykami. Zwarcie styków akumulatorka może spowodować pożar.
  - d) W przypadku przecięcia z akumulatorka może wycieknąć płyn; nie należy go dotykać. W razie przypadkowego kontaktu przemyć skórę wodą. W przypadku dostania się płynu do oczu należy skontaktować się z lekarzem. Płyn z akumulatorka może powodować podrażnienia lub oparzenia.

- 6) Serwis
- a) **Zlecać serwisowanie elektronarzędzie wykwalifikowanemu technikowi stosującym jedynie części zamienne identyczne z oryginalnymi. Zapewni to zachowanie bezpieczeństwa elektronarzędzia.**

#### Specjalne instrukcje bezpieczeństwa

- Należy dbać, by kabel pozostawał możliwie daleko od ruchomych części urządzenia.
- W przypadku zablokowania się urządzenia, należy je natychmiast wyłączyć i wyjąć wtyczkę z kontaktu.
- Należy pamiętać, by maksymalna liczba obrotów zamontowanych akcesoriów dostosowana była do liczby obrotów urządzenia.
- Gdy odstawiacie Państwo urządzenie, silnik nie może pracować, a ruchome części nie mogą się obracać.
- Kłucza do montowania akcesoriów nie należy nigdy przywiązywać sznurkiem ani niczym podobnym do urządzenia.
- Przycisku blokady gniazda na akcesoria nie należy nigdy używać podczas pracy urządzenia.
- Należy zadbać, by średnica montowanych w gnieździe akcesoriów odpowiadała średnicy gniazda.
- Poddawany obróbce materiał należy przytrzymać przy pomocy narzędzi zaciskowych.
- W czasie obróbki trzymać ręce z dala od materiału.

#### Bezpieczeństwo związane z elektryczną ością

Pod czas wykorzystania urządzenia elektrycznego należy zawsze przestrzegać odpowiednie przepisy bezpieczeństwa, które są ważne w Waszym kraju w celu zmniejszenia ryzyka pożaru, porażenia prądem elektrycznym oraz zranienia personelu.



*Sprawdzić, czy napięcie sieciowe jest zgodne z parametrami na tabliczce znamionowej.*



*II klasy – Izolacja podwójna – Wasze gniazdo nie potrzebuje uziemienia.*

#### Wymiana przewodów lub wtyczek

Jeśli przewód sieciowy zostanie uszkodzony, należy go wymienić na specjalny przewód sieciowy dostępny u producenta lub w jego dziale obsługi klienta. Wyrzucić stare przewody i wtyczki zaraz po ich wymianie na nowe. Niebezpieczne jest wkładanie do gniazdka wtyczki przewodu, który nie jest podłączony do urządzenia.

#### W przypadku zastosowania przedłużaczy

Należy stosować odpowiednie przedłużacze przystosowane do mocy urządzenia. Żyłki takiego kabla muszą mieć minimalny przekrój 1,5 mm<sup>2</sup>. Jeśli kabel przedłużający jest nawinięty na bęben, należy go całkowicie rozwinąć.

### 3. Montowanie akcesoriów



*Należy wyjąć wtyczkę z kontaktu.*



*Ostrzeżenie! Podczas wymiany akcesoriów akcesoria proszę wkładać do tulei zaciskowej możliwie jak najgłębiej, w celu maksymalnego ograniczenia niebezpieczeństwa uwolnienia akcesoriów i uniknięcia nie równomiernego zrównoważenia.*

#### Montowanie akcesoriów

##### Rys. 1

Następnie wcisnąć przycisk (2) zwalniający blokadę gniazda na akcesoria. Przy wciśniętym guziku, kluczem do montowania akcesoriów (1) poluzować gniazdo. Umocować końcówkę w gnieździe. Przy wciśniętym przycisku, dokręcić gniazdo kluczem. Nie wolno zwalniać blokady gniazda podczas pracy silnika.

#### Obsługa

Włączyć urządzenie przy pomocy przełącznika dwupołożeniowego (A). Do regulacji prędkości obrotów Narzędzie wielofunkcyjne służy pokrętko (B). Urządzenie można odstawić dopiero, gdy silnik przestanie pracować. Nie należy kłaść urządzenia w miejscach brudnych i zapyłonych. Pył może przedostać się do środka mechanizmu.



Przy małych prędkościach zbytne obciążenie Narzędzie wielofunkcyjne może doprowadzić do przepalenia silnika.

## 4. Montaż elastycznego sprzęgła i podstawy

### Elastyczne sprzęgło

#### Rys. 2

- Odkręcić pierścieni z zacisku.
- Zamontować elastyczne sprzęgło na narzędziu Combitoool umieszczając wewnętrzny wałek (1) w zacisku. pierścień elastycznego sprzęgła (2) może zostać zamontowany na narzędziu Combitoool.



Nie wolno naciskać przycisku blokowania osi jeśli silnik wciąży się obraca.

### Podstawa narzędzia Combitoool

- Podstawę zamocować z boku stołu lub blatu warsztatowego o maksymalnej grubości 60 mm.
- Wysokość podstawy można regulować. Poluzować górny element podstawy obracając go w lewo. Wyciągnąć go do maksymalnej wysokości i dokręcić obracając w prawo. Wysokość wspornika jest regulowana przez poluzowanie czarnego pokrętkła. Po ustawieniu wspornika na odpowiedniej wysokości należy ponownie dokręcić pokrętkło.
- Zamontować narzędzie Combitoool na wsporniku podstawy; wspornik może zostać obrócony o 360°.

### Akcesorio do Narzędzie wielofunkcyjne

Firma Ferm nie jest dostacą osobnego wyposażenia do Narzędzie wielofunkcyjne. Narzędzie wielofunkcyjne jest zaprojektowane do stosowania ze standardowymi akcesoriami firm Dremel®, Black & Decker®, Bosch® ou Proxxon®. Przed zastawowaniem akcesoriów należy zawsze sprawdzić, czy dopuszczalna liczba obrotów akcesoriów może być stosowana przy najwyższej szybkości Narzędzie wielofunkcyjne.

### Kamienie szlifierskie

#### Rys. 3

Przy zastosowaniu kamieni szlifierskich po raz pierwszy, należy użyć kamienia do ostrzenia w celu zrównoważenia kamieni szlifierskich. Kamień do ostrzenia można również zastosować do nadania kamieniom szlifierskim specjalnego kształtu.

Material	Prędkość
Kamień, muzła	-
Stal	+
Aluminium, miedź	+ -
Plastik	-

### Tracze filcowe i końcówki

Tarcze filcowe i końcówki należy wkręcać w trzpień.

#### Rys. 4

Material	Prędkość
Stal	+
Aluminium, miedź	+ -
Plastik	+

### Szlifowanie zespoły i płyty

#### Rys. 5

Material	Prędkość
Drewno	++
Stal	-
Aluminium, miedź	+ -
Plastik	-

### Szcotki nierdzewne i niemetalowe

#### Rys. 6

Material	Prędkość
Kamień, muzła	+ -
Aluminium, miedź	+ -

### Frez, końcówka do grawerowania i wiertło

#### Rys. 7

Material	Prędkość
Kamień, muzła	Max
Stal	+ -
Aluminium, miedź	++
Plastik	-

**Tarcze ścierne****Rys. 8**

<b>Material</b>	<b>Prędkość</b>
Stal	+
Aluminium, miedź	+ -
Plastik	-

**5. Konserwacja**

*Przed konserwacją silnika, upewnij się, czy przyrząd nie jest włączony i czy jest odłączony z sieci.*

Urządzenia zaprojektowano tak, aby działały bezproblemowo przez długi czas i wymagały konserwacji jedynie w niewielkim zakresie. Stałe poprawne działanie urządzenia zależy od jego właściwej konserwacji i regularnego czyszczenia.

**Czyszczenie**

Otwory wentylacyjne urządzenia należy czyścić w celu uniknięcia przegrzania się silnika. Osłonę urządzenia należy czyścić regularnie miękką szmatką (najlepiej po każdym użyciu). Otwory wentylacyjne trzymaj z dala od pyłu i brudu. Jeśli nie można usunąć brudu, wtedy należy zastosować miękką szmatką namoczoną w wodzie z mydłem. Nigdy nie używać rozpuszczalników takich jak benzyna alkohol, woda amoniakalna, itp. Tego rodzaju rozpuszczalniki mogą zniszczyć plastikowe części.

**Smarowanie**

Upewnij się, że okresowo smarować elastyczny wału, aby zapobiec nadmiernemu gromadzeniu się ciepła.

**Awarie**

W przypadku wystąpienia awarii (n.p. zużycie części) należy skontaktować się z punktem serwisowym – adresy punktów serwisowych znajdują się na karcie gwarancyjnej. Na końcu niniejszej instrukcji zamieszczony został schemat części zamiennych, które mogą być zamawiane.

**Środowisko**

Aby zapobiec uszkodzeniu w trakcie transportu, urządzenie może być dostarczone w opakowaniu trwałym. Większa część opakowania składa się z materiałów zdolnych do recykklacji. Dlatego opakowanie należy zrecyklować.



*Uszkodzone oraz /lub wybrakowane urządzenie elektryczne lub elektroniczne musi być utylizowane w odpowiedni sposób.*

**Tylko dla krajów Komisji Europejskiej**

Nie wolno wyrzucać elektronarzędzi do domowych śmietników. Zgodnie z Dyrektywą Europejską nr 2012/19/EU dotyczącą Utylizacji Wyposażenia Elektrycznego i Elektronicznego i jej wdrożeniem w krajowe prawo, nieużywane elektronarzędzia należy gromadzić oddzielnie i utylizować w sposób przyjazny dla środowiska.

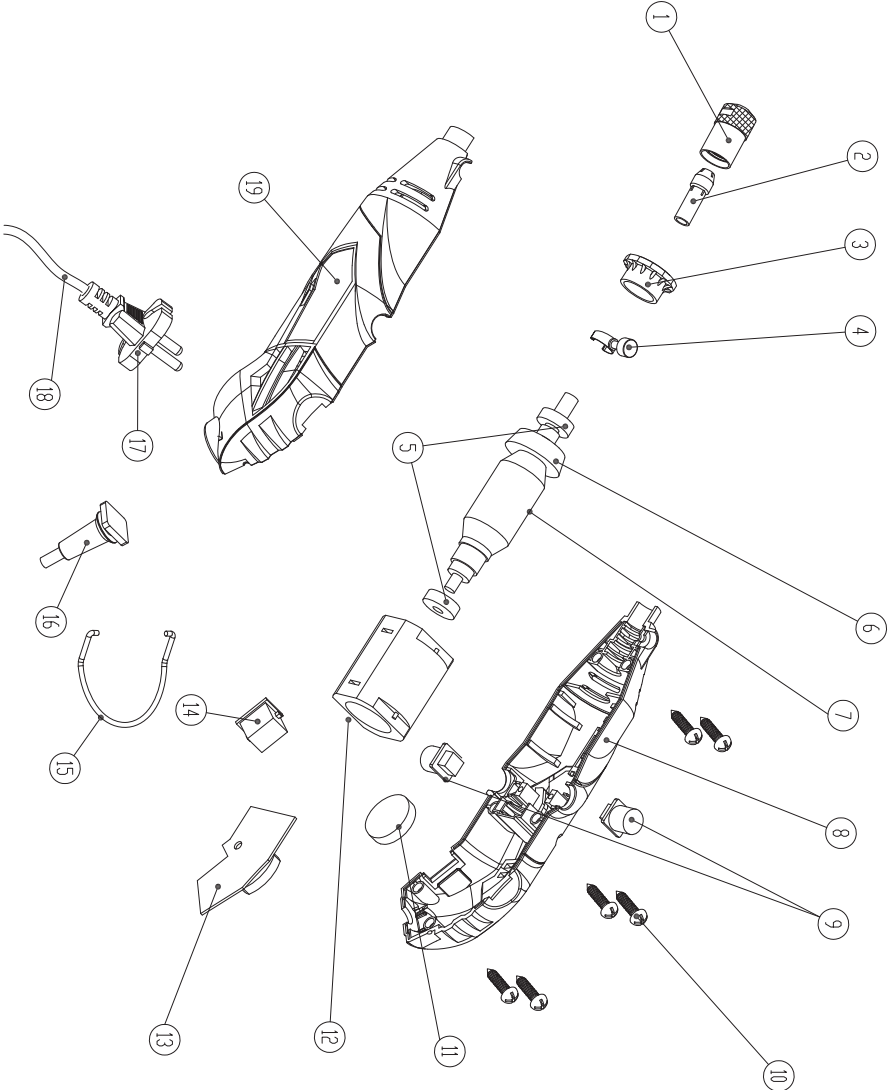
**Gwarancja**

Należy zapoznać się z warunkami gwarancyjnymi na osobnej karcie gwarancyjnej.

Produkt i podręcznik użytkownika może ulec zmianom. Dane techniczne mogą ulec zmianie bez obowiązku powiadamiania użytkownika.



**Exploded view**



---

### *Spare parts list*

<b>No.</b>	<b>Description</b>	<b>Position</b>
480877	Collet nut	1
480878	Collet chuck 3.2mm	2
480879	Collet chuck 2.3mm	2
480880	Ring	3
480881	Spindle lock	4
480882	Bearing	5
480883	Rotor incl. fan	7
480884	Carbon brush set (2pcs)	9
480885	Stator	12
480886	Switch	14
480887	Flex shaft	-



## DECLARATION OF CONFORMITY CTM1017 COMBITOOL

- (EN) We declare under our sole responsibility that this product is in conformity with directive 2011/65/EU of the European parliament and of the council of 8 June on the restriction of the use of certain hazardous substances in electrical and electronic equipment in conformity with and accordance with the following standards and regulations:
- (DE) Der Hersteller erklärt eigenverantwortlich, dass dieses Produkt der Direktive 2011/65/EU des Europäischen Parlaments und des Rats vom 8. Juni 2011 über die Einschränkung der Anwendung von bestimmten gefährlichen Stoffen in elektrischen und elektronischen Geräten entspricht. Den folgenden Standards und Vorschriften entspricht:
- (NL) Wij verklaren onder onze volledige verantwoordelijkheid dat dit product voldoet aan de conform Richtlijn 2011/65/EU van het Europees Parlement en de Raad van 8 juni 2011 betreffende beperking van het gebruik van bepaalde gevaarlijke stoffen in elektrische en elektronische apparatuur en in overeenstemming is met de volgende standaarden en reguleringen:
- (FR) Nous déclarons sous notre seule responsabilité que ce produit est conforme aux standards et directives suivants: est conforme à la Directive 2011/65/EU du Parlement Européen et du Conseil du 8 juin 2011 concernant la limitation d'usage de certaines substances dangereuses dans l'équipement électrique et électronique.
- (ES) Declaramos bajo nuestra exclusiva responsabilidad que este producto cumple con las siguientes normas y estándares de funcionamiento: se encuentra conforme con la Directiva 2011/65/UE del Parlamento Europeo y del Consejo de 8 de junio de 2011 sobre la restricción del uso de determinadas sustancias peligrosas en los equipos eléctricos y electrónicos.
- (PT) Declaramos por nossa total responsabilidade de que este produto está em conformidade e cumpre as normas e regulamentações que se seguem: está em conformidade com a Directiva 2011/65/UE do Parlamento Europeu e com o Conselho de 8 de Junho de 2011 no que respeita à restrição de utilização de determinadas substâncias perigosas existentes em equipamento eléctrico e electrónico.
- (IT) Dichiariamo, sotto la nostra responsabilità, che questo prodotto è conforme alle normative e ai regolamenti seguenti: è conforme alla Direttiva 2011/65/UE del Parlamento Europeo e del Consiglio dell'8 giugno 2011 sulla limitazione dell'uso di determinate sostanze pericolose nelle apparecchiature elettriche ed elettroniche.
- (SV) Vi garanterar på eget ansvar att denna produkt uppfyller och följer följande standarder och bestämmelser: uppfyller direktiv 2011/65/EU från Europeiska parlamentet och EG-rådet från den 8 juni 2011 om begränsningen av användning av vissa farliga substanser i elektrisk och elektronisk utrustning.
- (FI) Vakuutamme yksinomaan omalla vastuullamme, että tämä tuote täyttää seuraavat standardit ja säädökset: täyttää Euroopan parlamentin ja neuvoston 8. kesäkuuta 2011 päivätyn direktiivin 2011/65/EU vaatimukset koskien vaarallisten aineiden käytön rajoitusta sähkö- ja elektronisissa laitteissa.
- (NO) Vi erklærer under vårt eget ansvar at dette produktet er i samsvar med følgende standarder og regler: er i samsvar med EU-direktiv 2011/65/EU fra Europa-parlamentet og Europa-rådet, pr. 8 juni 2011, om begrensning af bruken av visse farlige stoffer i elektrisk og elektronisk utstyr.
- (DA) Vi erklærer under eget ansvar, at dette produkt er i overensstemmelse med følgende standarder og bestemmelser: er i overensstemmelse med direktiv 2011/65/EU fra Europa-Parlamentet og Rådet af 8. juni 2011 om begrænsning af anvendelsen af visse farlige stoffer i elektrisk og elektronisk udstyr.
- (HU) Felelősségünk teljes tudatában kijelentjük, hogy ez a termék teljes mértékben megfelel az alábbi szabványoknak és előírásoknak: je v souladu se směrnici 2011/65/EU Evropského parlamentu a Rady EU ze dne 8. června 2011, která se týká omezení použití určitých nebezpečných látek v elektrických a elektronických zařízeních.
- (CZ) Na naši vlastní zodpovědnost prohlašujeme, že je tento výrobek v souladu s následujícími standardy a normami: Je v souladu s normou 2011/65/EU Evropského parlamentu a Rady z 8. júna 2011 týkajúcej sa obmedzenia používania určitých nebezpečných látok v elektrickom a elektronickom vybavení.
- (SK) Vyhlasujeme na našu výhradnú zodpovednosť, že tento výrobok je v zhode a súlade s nasledujúcimi normami a predpismi: Je v súlade s normou 2011/65/EU Európskeho parlamentu a Rady z 8. júna 2011 týkajúcej sa obmedzenia používania určitých nebezpečných látok v elektrickom a elektronickom vybavení.
- (SL) S polno odgovornostjo izjavljamo, da je ta izdelek v skladu in da odgovarja naslednjim standardom ter predpisom: je v skladu z direktivo 2011/65/EU Evropskega parlamenta in Sveta z dne 8. junij 2011 o omejevanju uporabe določenih nevarnih snovi v električni in elektronski opremi.
- (PL) Deklarujemy na własną odpowiedzialność, że ten produkt spełnia wymogi zawarte w następujących normach i przepisach: jest zgodny z Dyrektywą 2011/65/UE Parlamentu Europejskiego i Rady z dnia 8 czerwca 2011 r. w sprawie ograniczenia stosowania niektórych niebezpiecznych substancji w sprzęcie elektrycznym i elektronicznym.
- (LT) Prisiimdami visą atsakomybę deklaruojame, kad šis gaminyis atitinka Žemiau paminėtus standartus arba nuostatus: atitinka 2011 m. birželio 8 d. Europos Parlamento ir Tarybos direktyvą 2011/65/EB dėl tam tikrų pavojingų medžiagų naudojimo elektros ir elektroninėje įrangoje apribojimo.
- (LV) Ir atbilstoša Eiropas Parlamenta un Padomes 2011. gada 8. jūnija Direktīvai 2011/65/ES par dažu bīstamu vielu izmantošanas ierobežošanu elektriskās un elektroniskās iekārtās.
- (ET) Aggalvojam ar visu atbildību, ka šis produktis ir saskaņā un atbilst sekojošajiem standartiem un nolikumiem: ir atbilstoša Eiropas Parlamenta un Padomes 2011. gada 8. jūnija Direktīvai 2011/65/ES par dažu bīstamu vielu izmantošanas ierobežošanu elektriskās un elektroniskās iekārtās.
- (RO) Declaram prin aceasta cu răspunderea deplină că produsul acesta este în conformitate cu următoarele standarde sau directive: este în conformitate cu Directiva 2011/65/UE a Parlamentului European și a Consiliului din 8 iunie 2011 cu privire la interzicerea utilizării anumitor substanțe periculoase la echipamentele electrice și electronice.
- (HR) Izjavljujemo pod vlastitom odgovornošću da je strojem ukladan sa slijedešim standardima ili standardiziranim dokumentima i u skladu sa odredbama: usklađeno sa Direktivom 2011/65/EU europskog parlamenta i vijeća izdanom 8. lipnja 2011. o ograničenju korištenja određenih opasnih tvari i električnoj i elektroničkoj opremi.
- (SRL) Pod punom odgovornošću izjavljujemo da je usaglašen sa sledećim standardima ili normama: usaglašen sa direktivom 2011/65/EU Evropskog parlamenta i Saveta od 8.juna.2011. godine za restrikciju upotrebe određenih opasnih materija u električnoj i elektronoj opremi.
- (RU) Под свою ответственность заявляем, что данное изделие соответствует следующим стандартам и нормам: соответствует требованиям Директивы 2011/65/ЕU Европейского парламента и совета от 8 июня 2011 г. по ограничению использования определенных опасных веществ в электрическом и электронном оборудовании
- (UK) Na svoju vlasnu відповідальність заявляємо, що дане обладнання відповідає наступним стандартам і нормативам: задовольняє вимоги Директиви 2011/65/ЕС Європейського Парламенту та Ради від 8 червня 2011 року на обмеження використання деяких небезпечних речовин в електричному та електронному обладнанні.
- (EL) Δηλώνουμε υπεύθυνα ότι το προϊόν αυτό συμφώνεί και τήρει τους παρακάτω κανονισμούς και πρότυπα: συμμορφώνεται με την Οδηγία 2011/65/ΕΕ του Ευρωπαϊκού Κοινοβουλίου και του Συμβουλίου της 8ης Ιουνίου 2011 για τον περιορισμό της χρήσης ορισμένων επικίνδυνων ουσιών σε ηλεκτρικό και ηλεκτρονικό εξοπλισμό

**EN 55014-1, EN 55014-2, EN 60745-1, EN 60745-2-23,  
EN 61000-3-2, EN 61000-3-3**

**2006/42/EC, 2014/30/EU, 2012/19/EU, 2011/65/EU**

Zwolle, 01-03-2017

H.G.F. Rosberg  
CEO Ferm B.V.

**Ferm BV • Lingenstraat 6 • 8028 PM • Zwolle The Netherlands**

