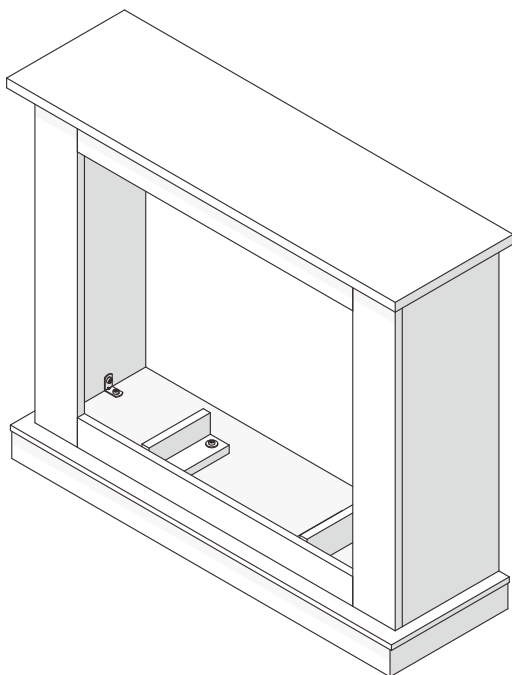


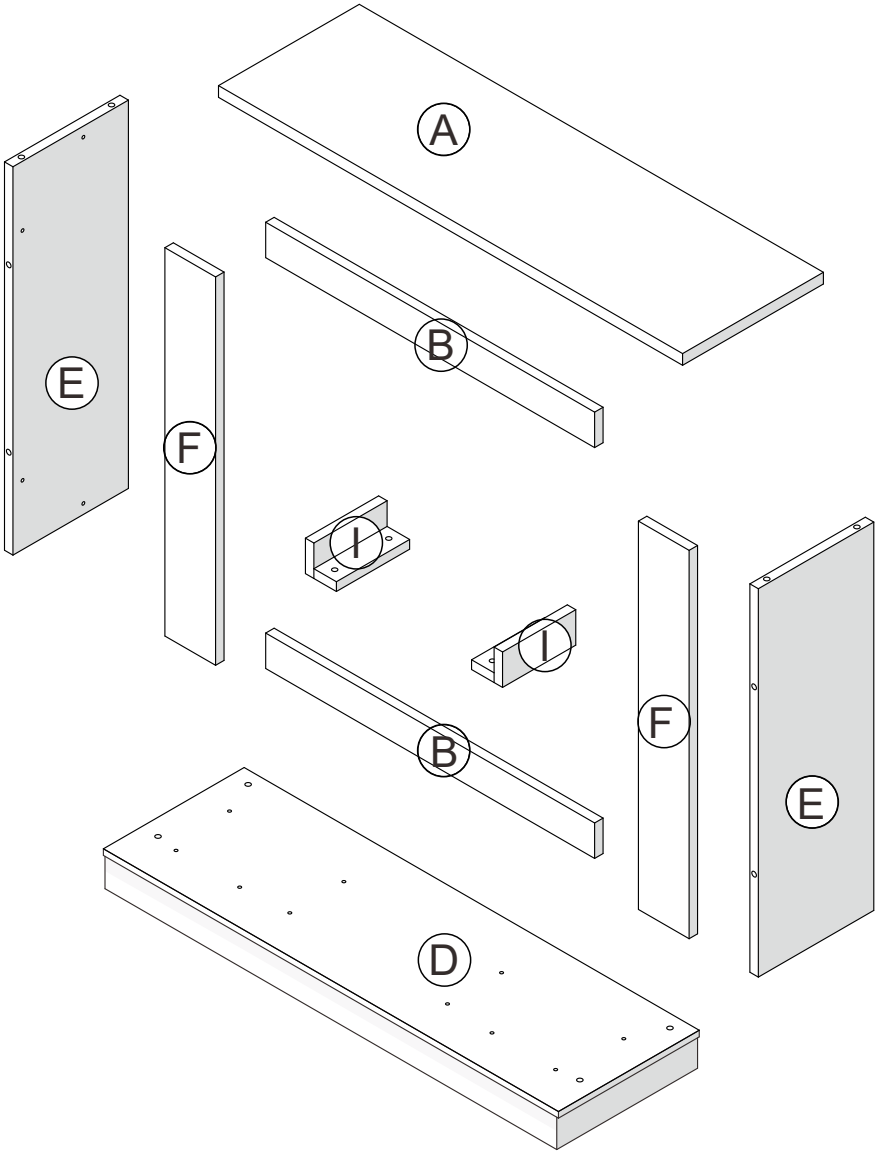
# FIREPLACE MANTEL

ASSEMBLY INSTRUCTIONS

**MT321C**



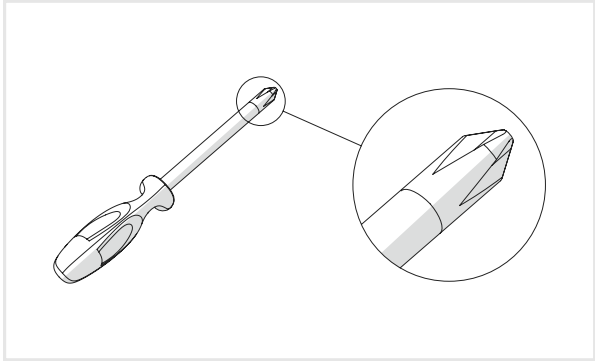
# PARTS LIST


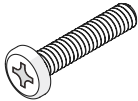
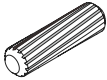

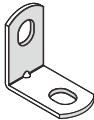
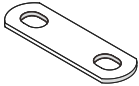



# PARTS AND ACCESSORIES

## Tools required:

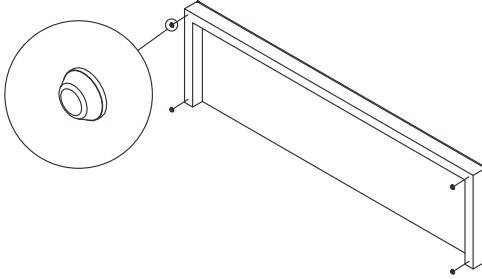
A screwdriver will be needed.



 <b>41x</b> M6x12mm	 <b>5x</b> M6x28mm	 <b>13x</b> ø 8x30mm
 <b>5x</b>	 <b>17x</b>	 <b>5x</b>
 <b>6x</b>		

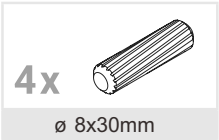
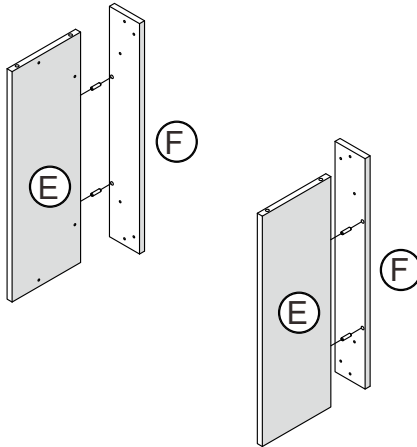
# ASSEMBLY INSTRUCTIONS

## 01



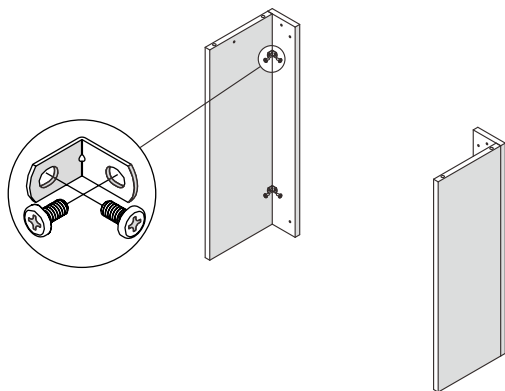
Carry out this assembly step on both sides

## 02



Carry out this assembly step on both sides

# 03



8 x



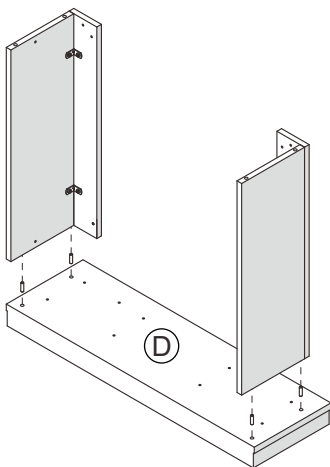
M6x12mm

4 x

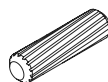


Carry out this assembly step on both sides

# 04



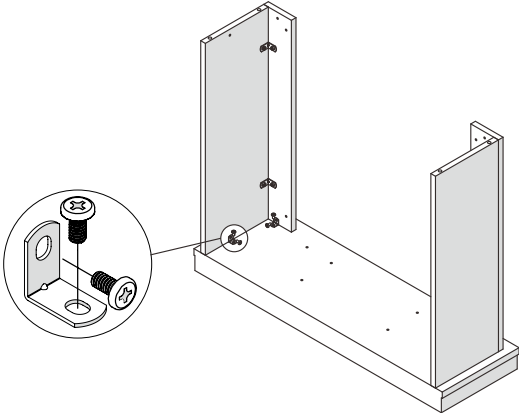
4 x



ø 8x30mm

Carry out this assembly step on both sides

# 05



8x



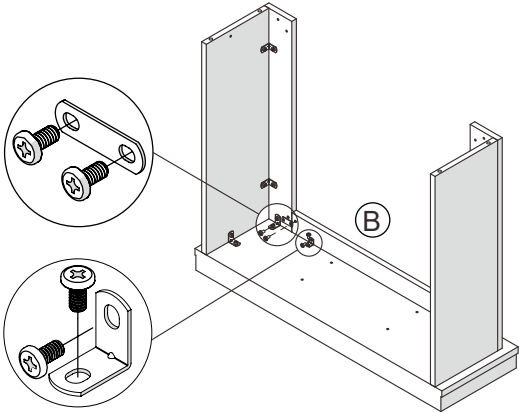
M6x12mm

4x



Carry out this assembly step on both sides

# 06



8x

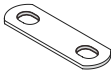


M6x12mm

2x

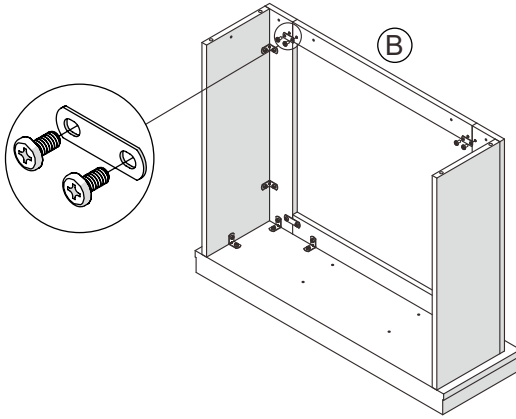


2x



Carry out this assembly step on both sides

# 07

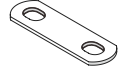


4x



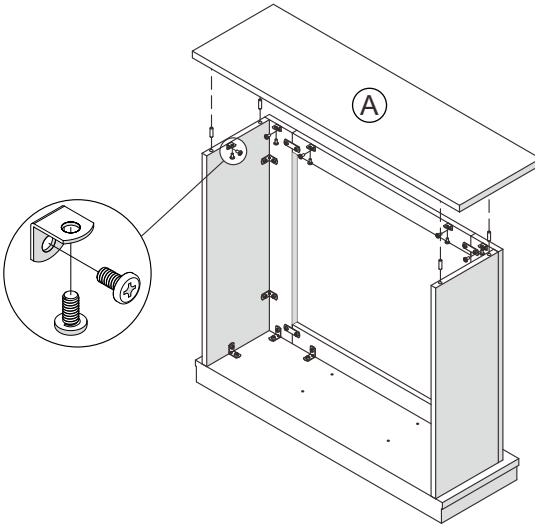
M6x12mm

2x



Carry out this assembly step on both sides

# 08



12x



M6x12mm

6x



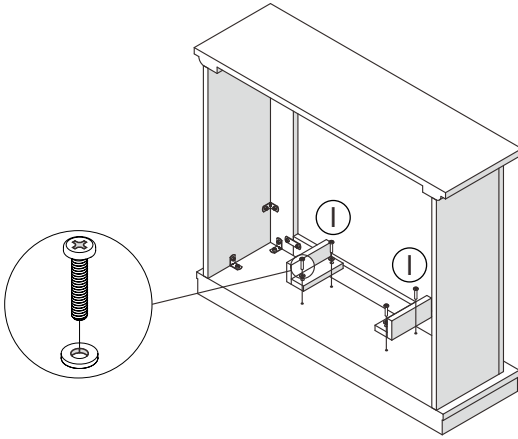
4x



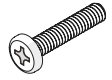
ø 8x30mm

Carry out this assembly step on both sides

09



4x



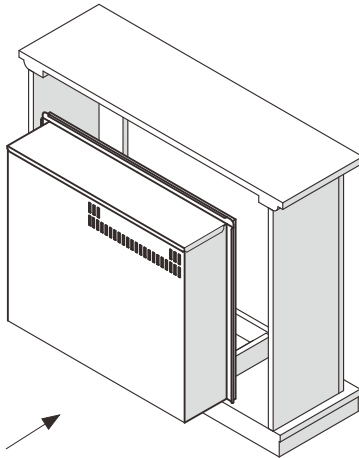
M6x28mm

4x



Carry out this assembly step on both sides

10

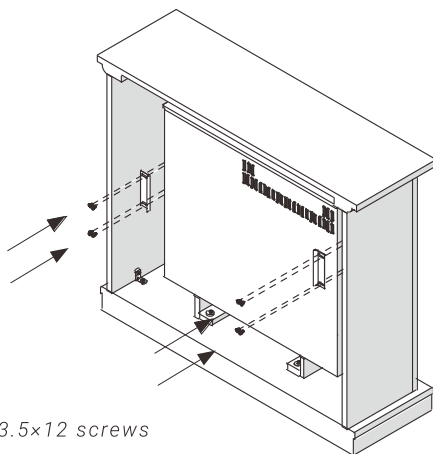


*Rear side of the mantel*



---

11



*Use 8 pcs ST3.5x12 screws*