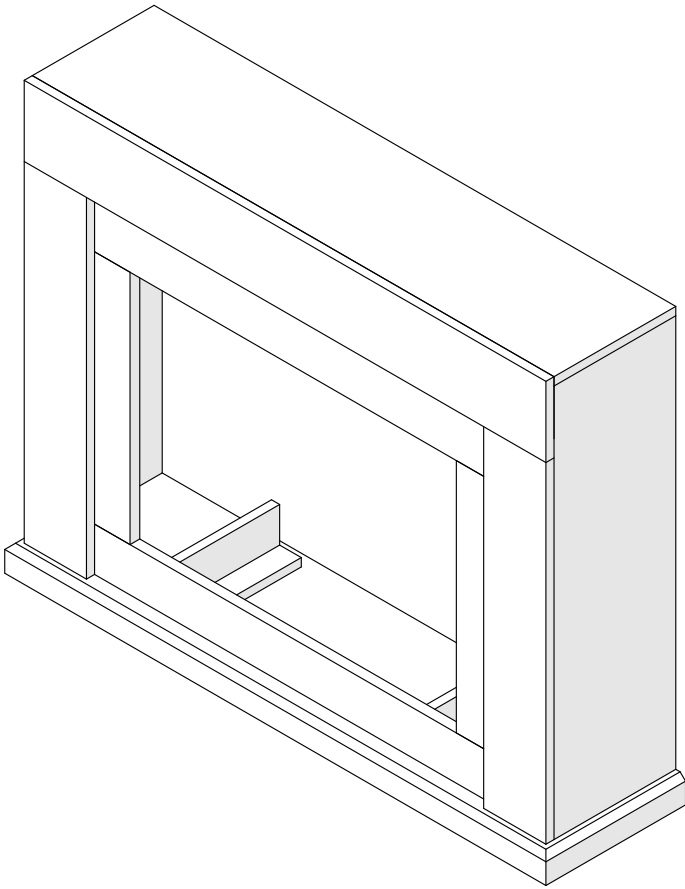
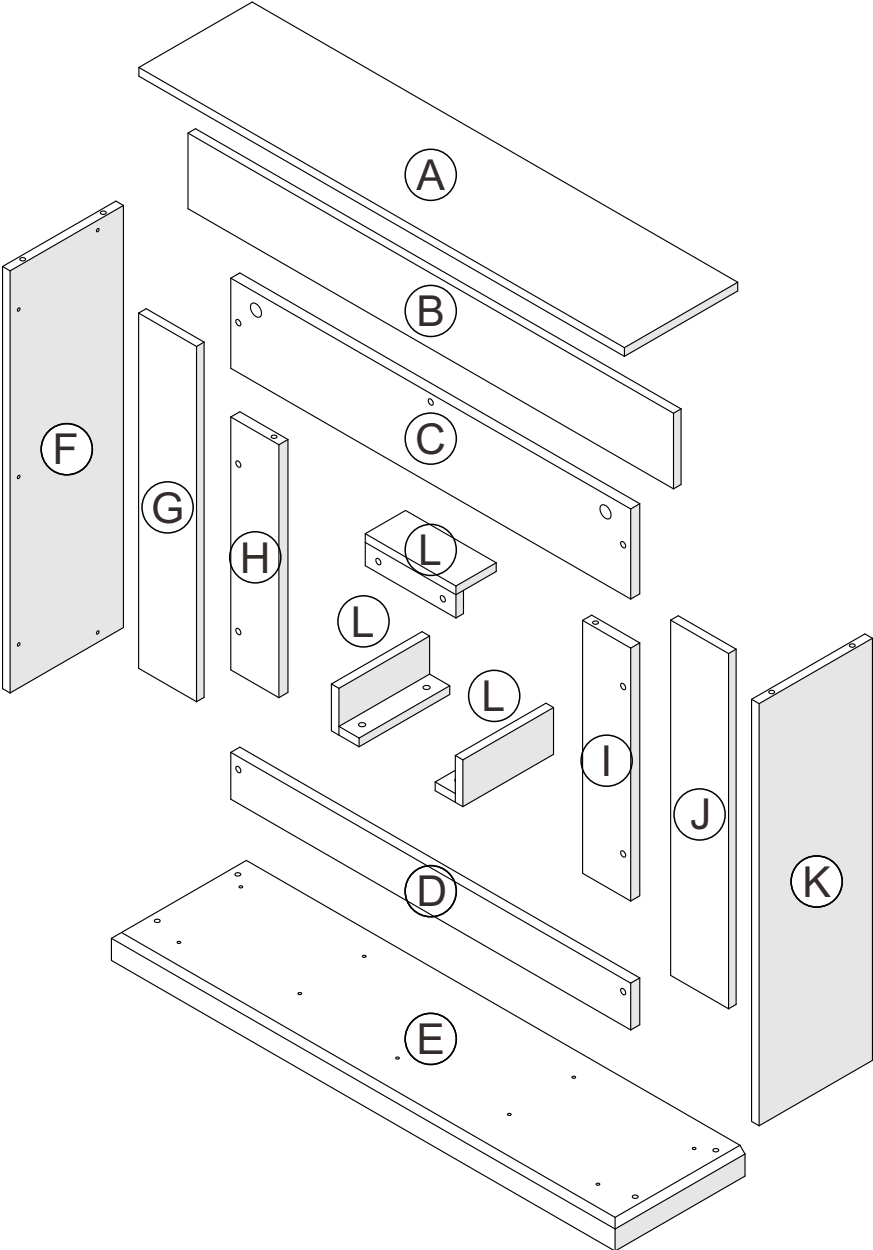


INSTALLATION MANUAL


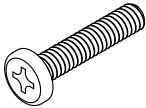
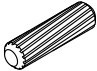

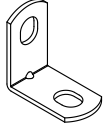

Model No. MT119F



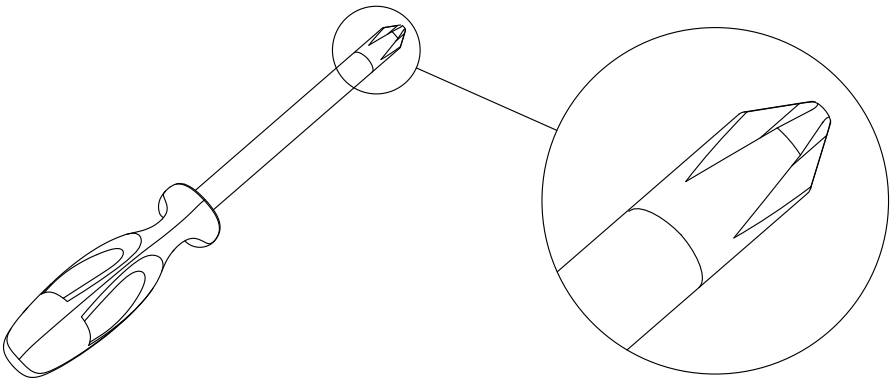
Panel Identification:



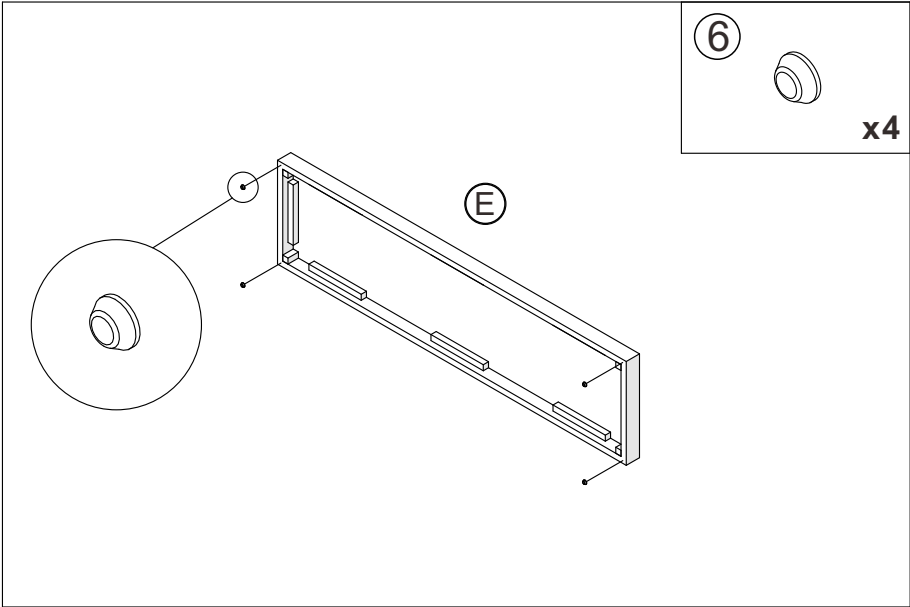
Parts List:

<p>1</p>  <p>M6x12mm x39</p>	<p>2</p>  <p>M6x28mm x18</p>	<p>3</p>  <p>∅8x30mm x13</p>
<p>4</p>  <p>x18</p>	<p>5</p>  <p>x20</p>	<p>6</p>  <p>x6</p>

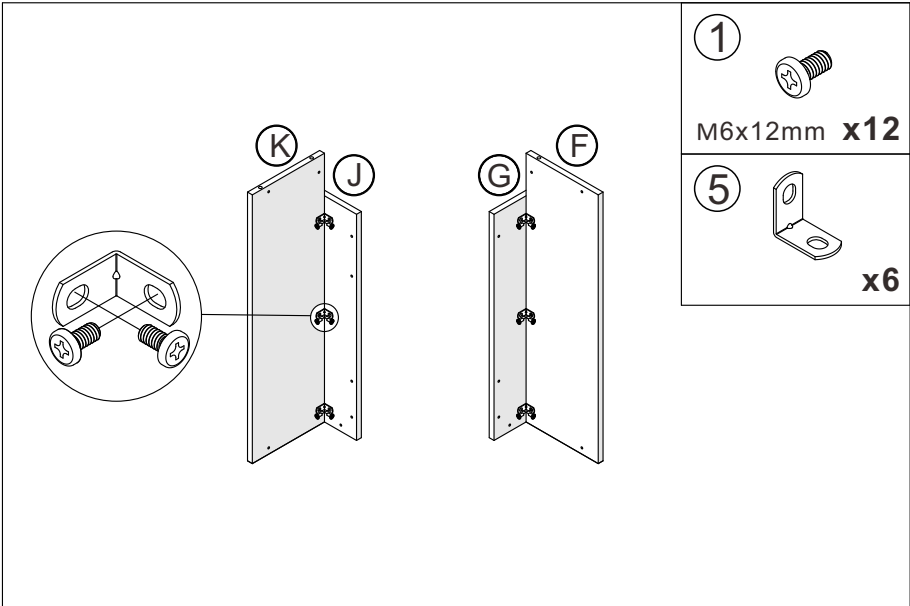
Tools Required



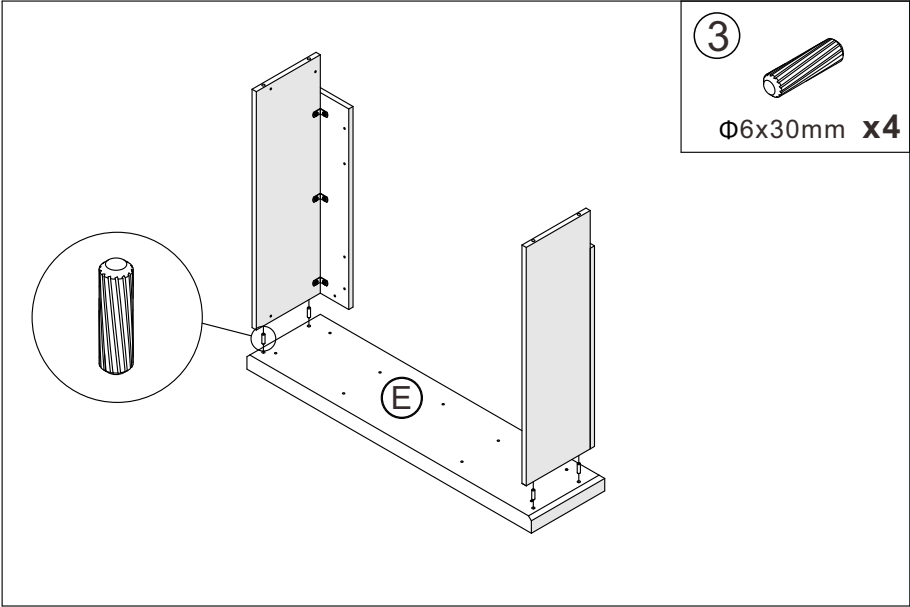
Step 1:



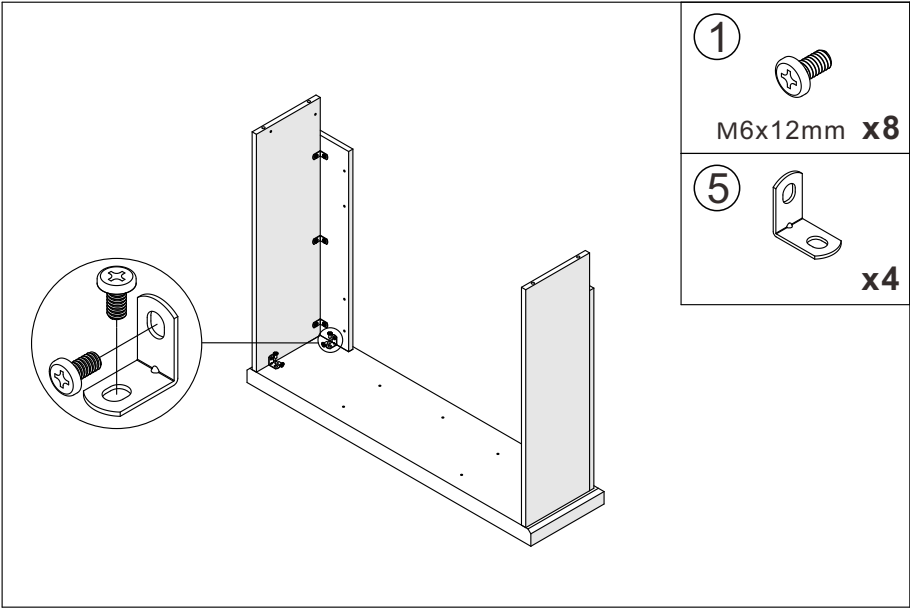
Step 2:



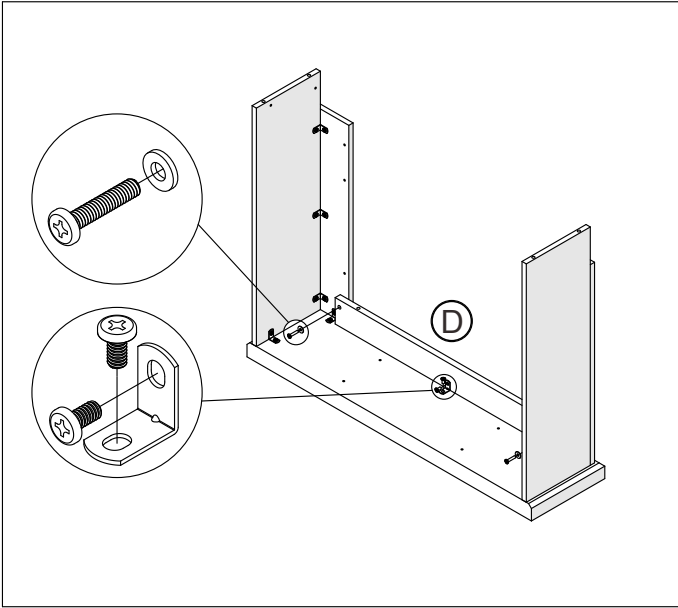
Step 3:


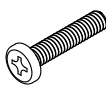




Step 4:

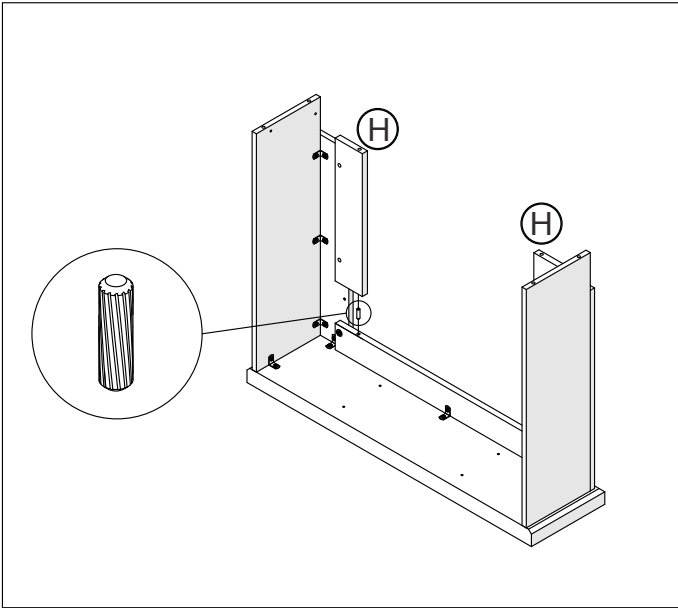



Step 5:



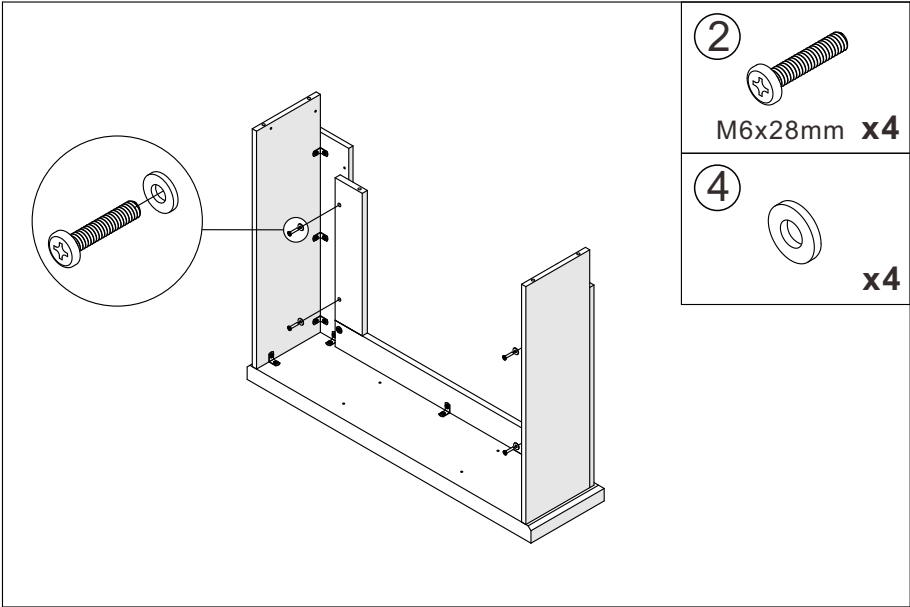
①	
	M6x12mm x2
②	
	M6x28mm x2
④	
	x2
⑤	
	x1

Step 6:

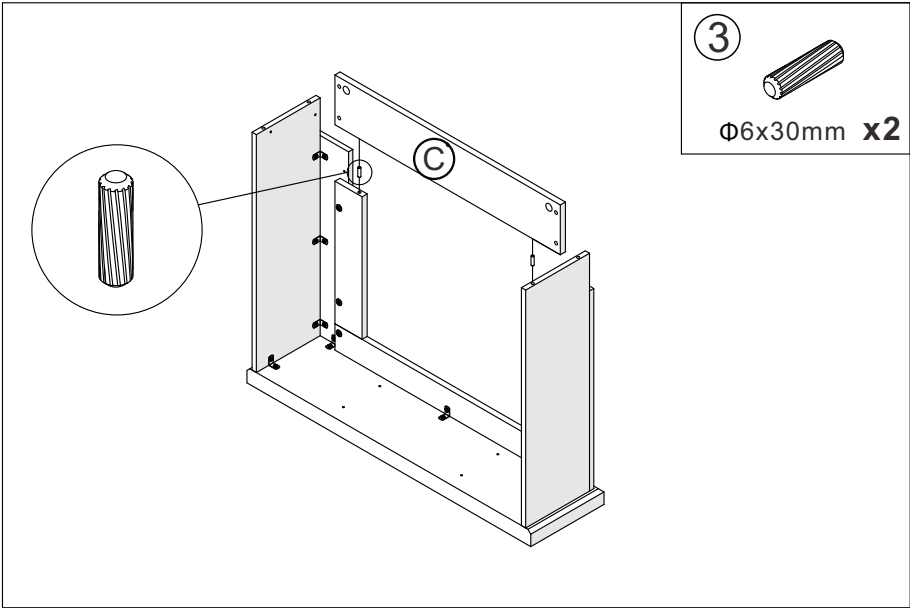


③	
	Φ6x30mm x2

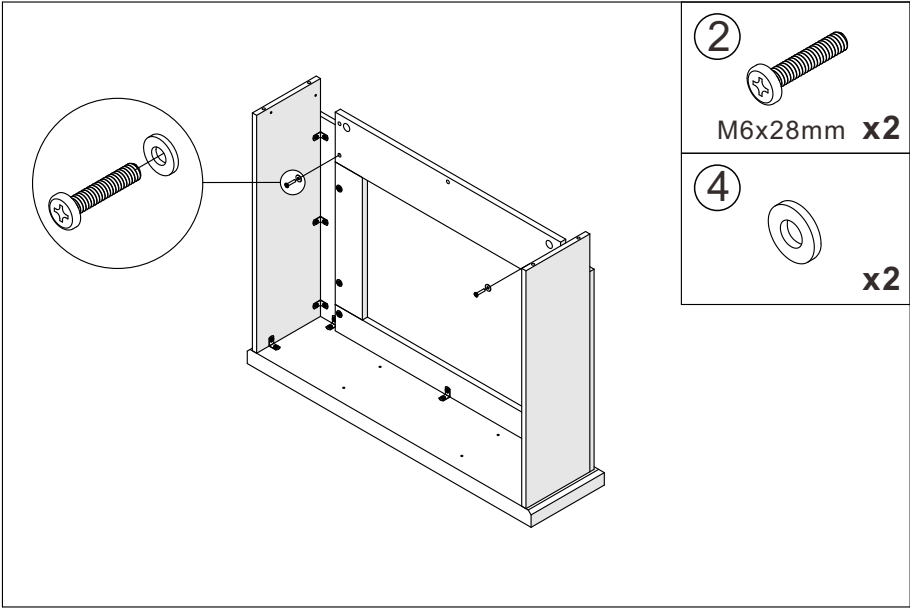
Step 7:



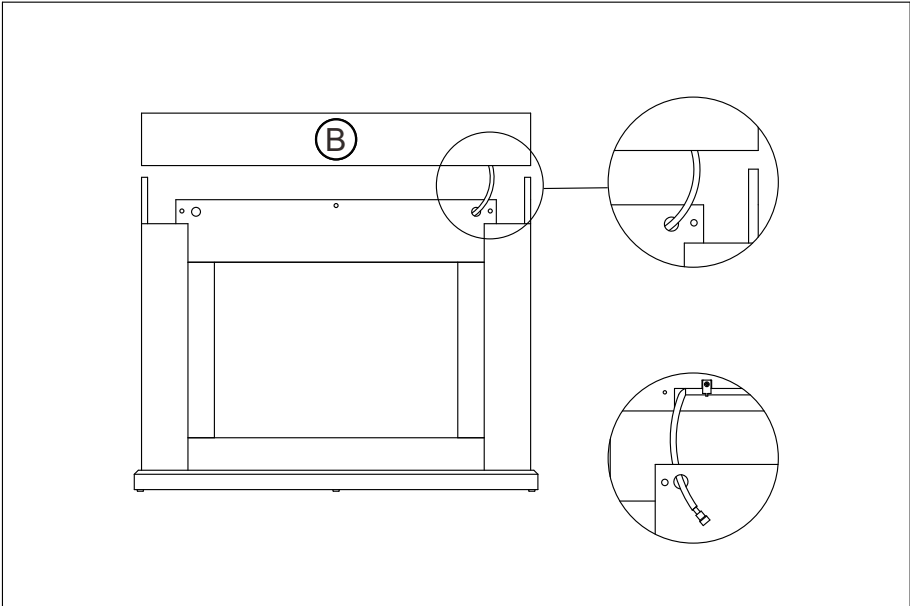
Step 8:



Step 9:



Step 10:




Step 11:


1		M6x12mm x4
2		M6x28mm x3
4		x3
5		x2

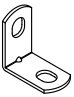
Step 12:

2		M6x28mm x2
4		x2

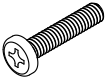
Step 13:


1  M6x12mm **x12**

3  $\Phi 6 \times 30 \text{mm}$ **x4**

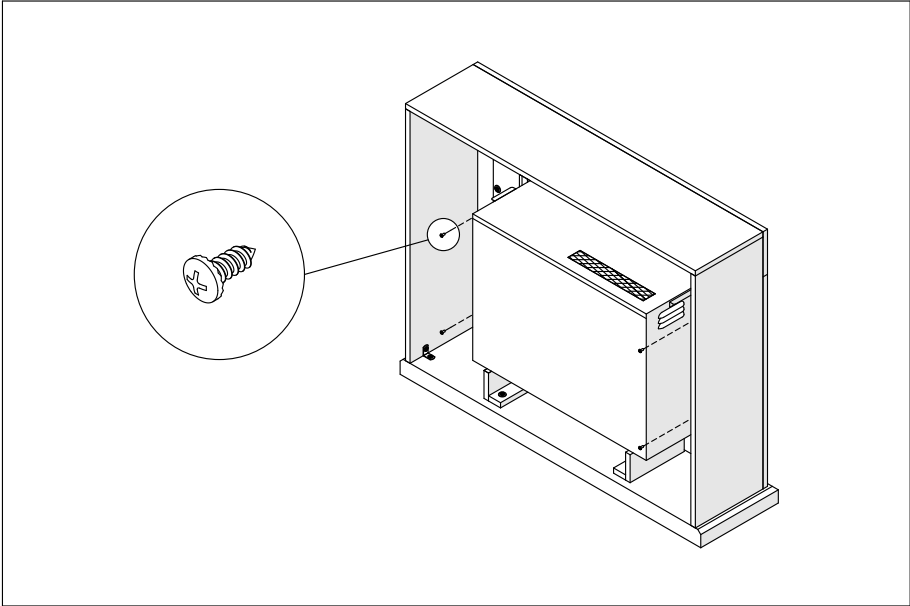
5  **x6**

Step 14:

2  M6x28mm **x4**

4  **x4**

Step 15:



Step 16:

