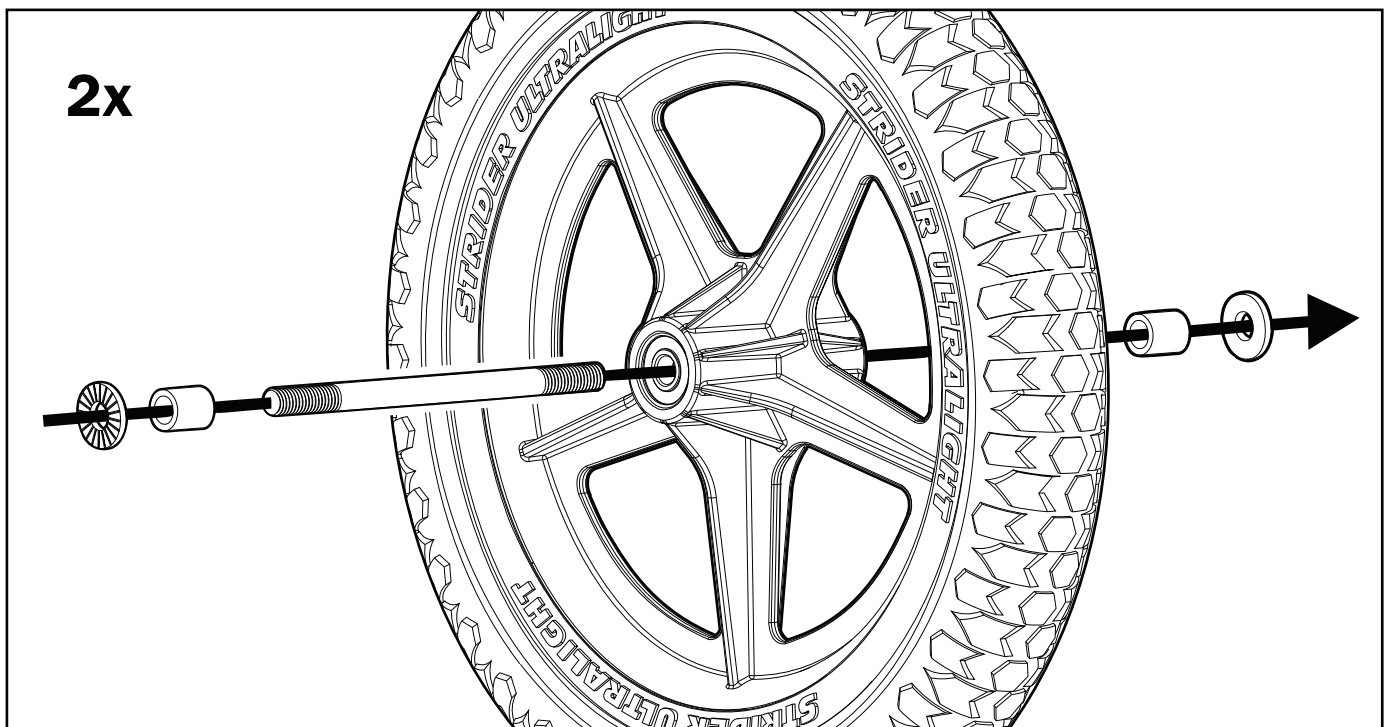
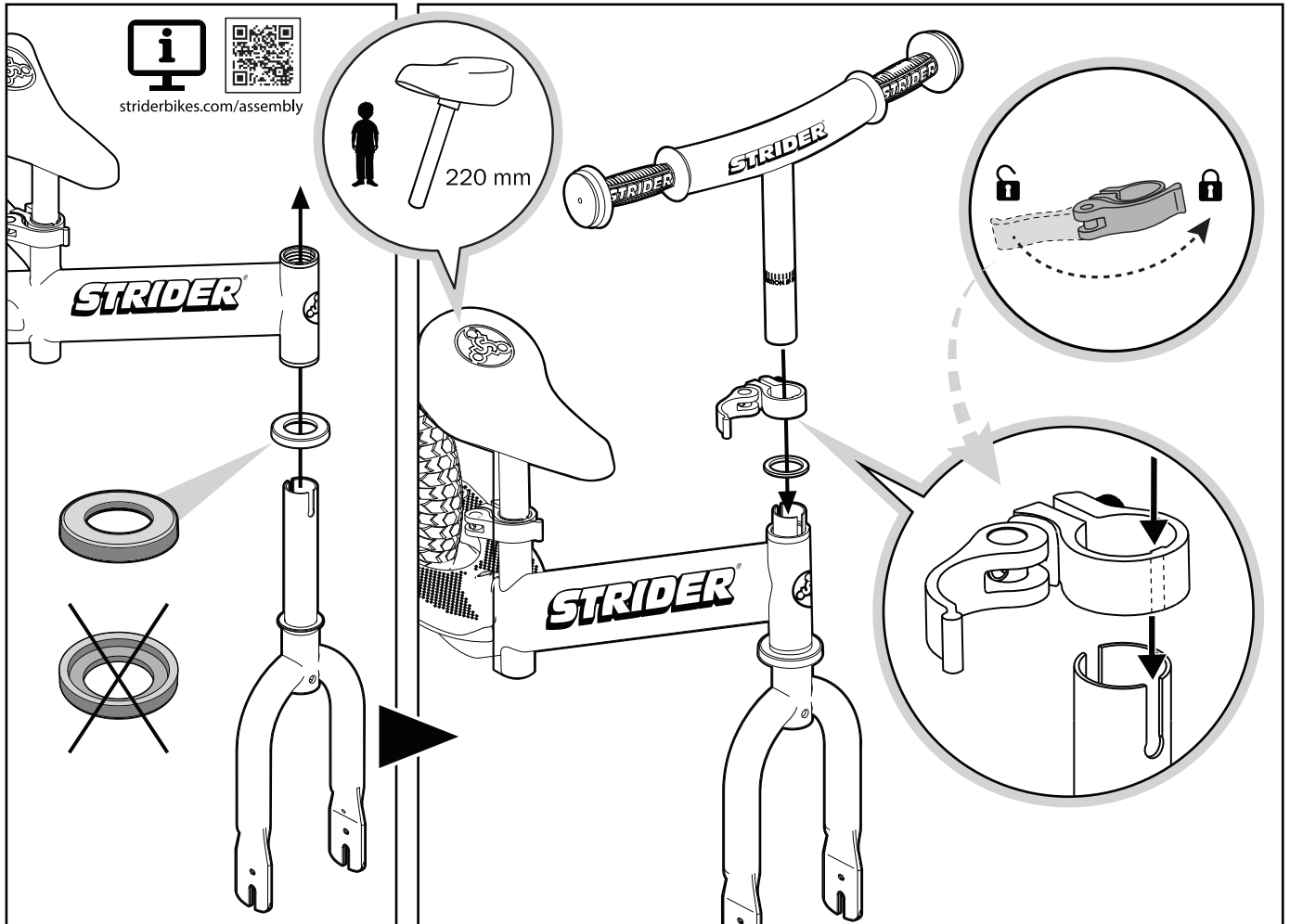
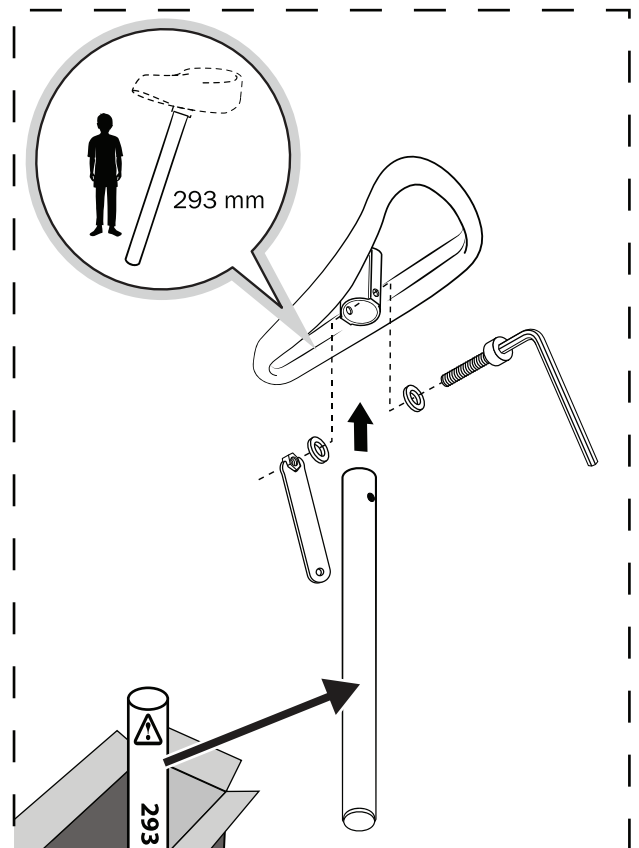
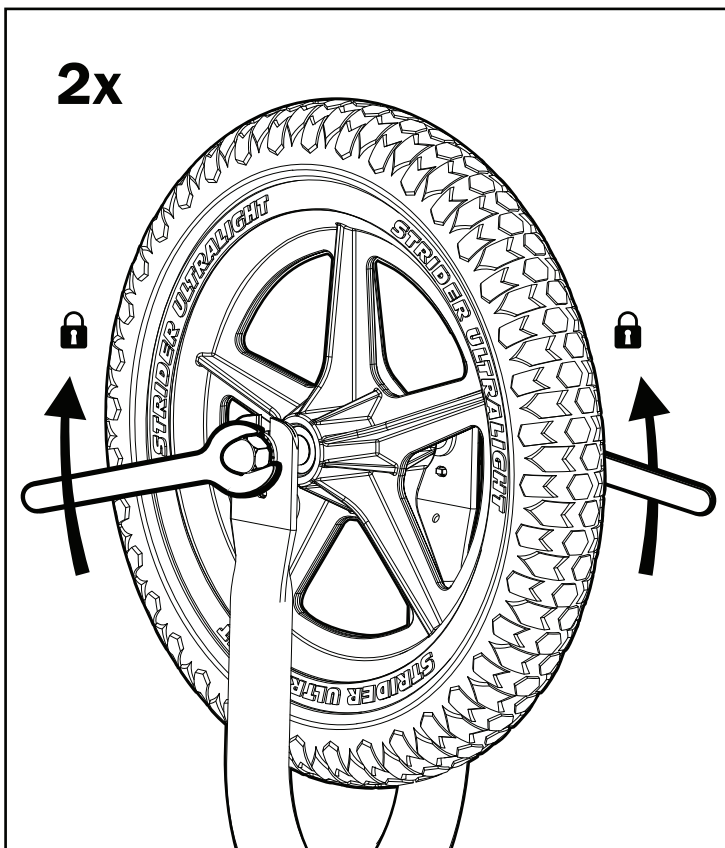
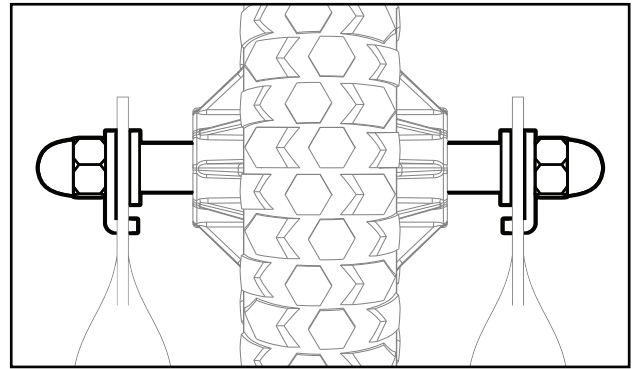
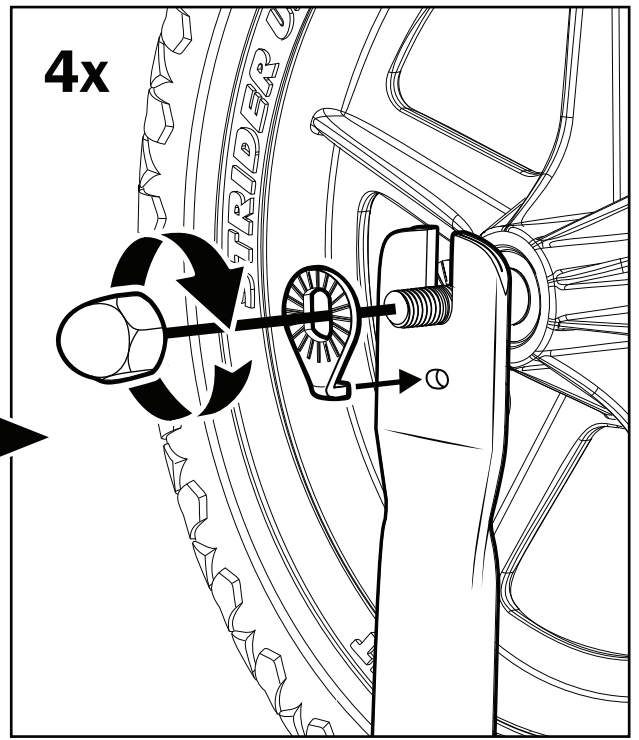
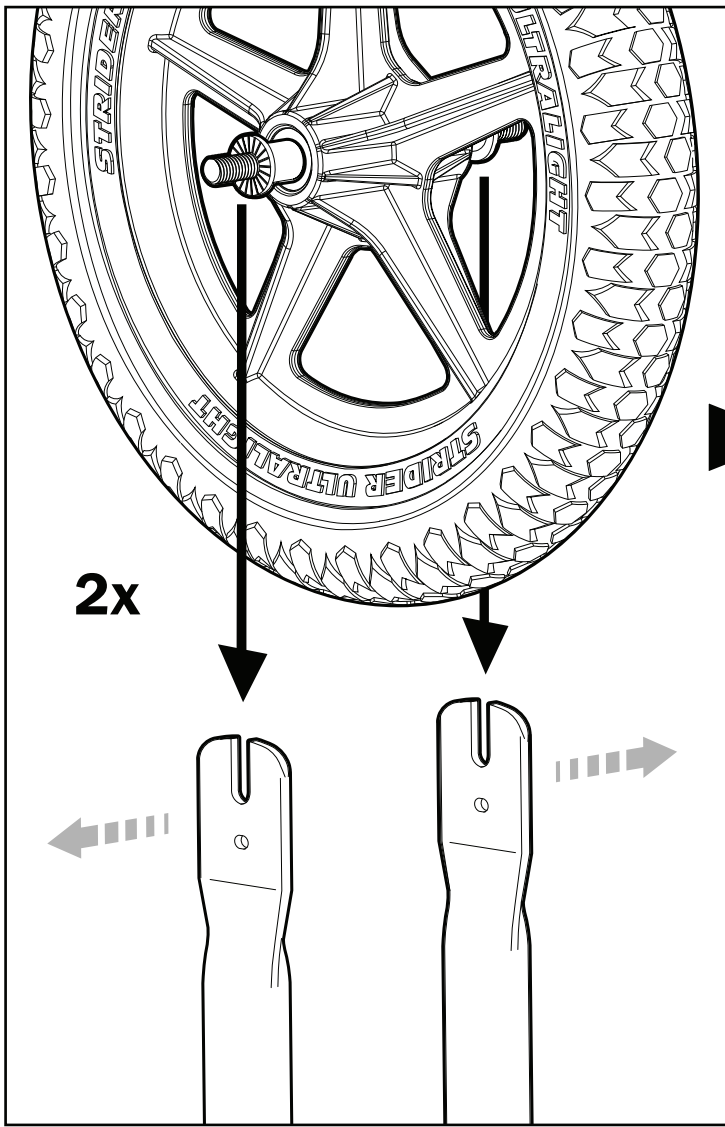
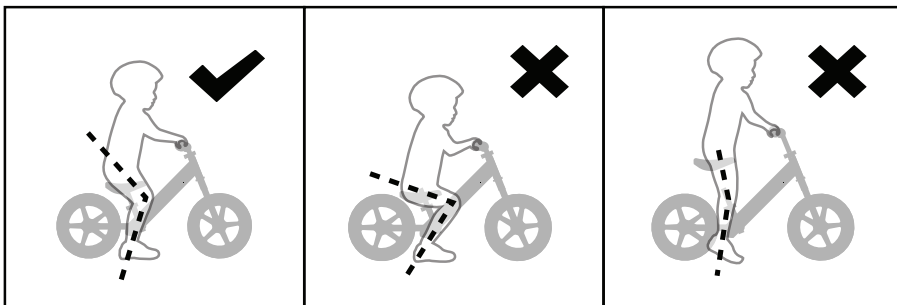
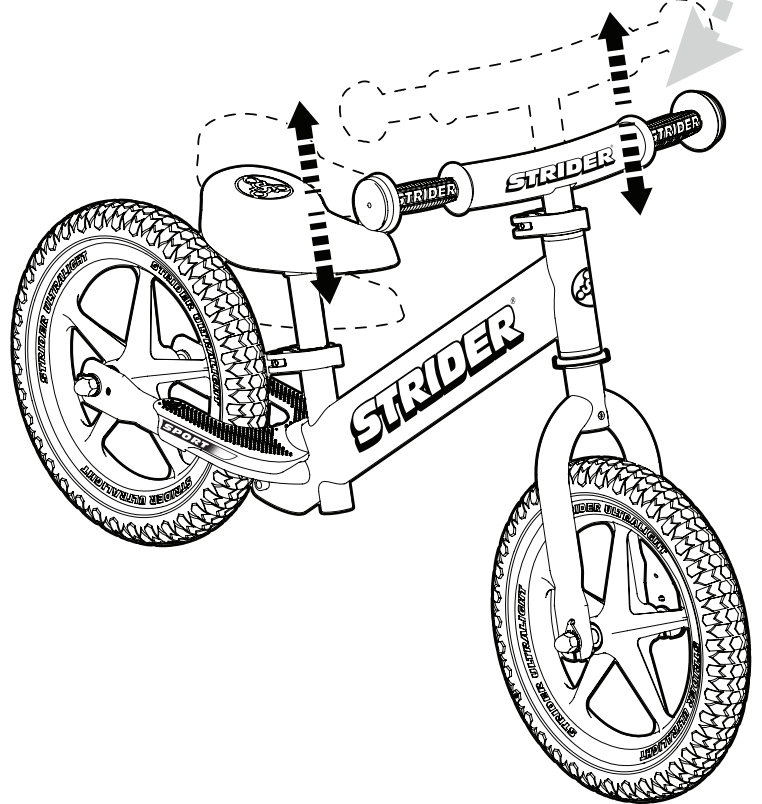
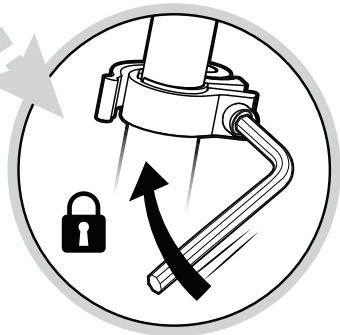
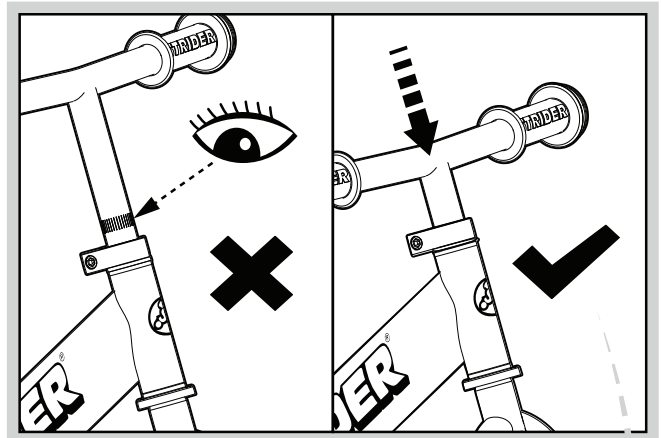
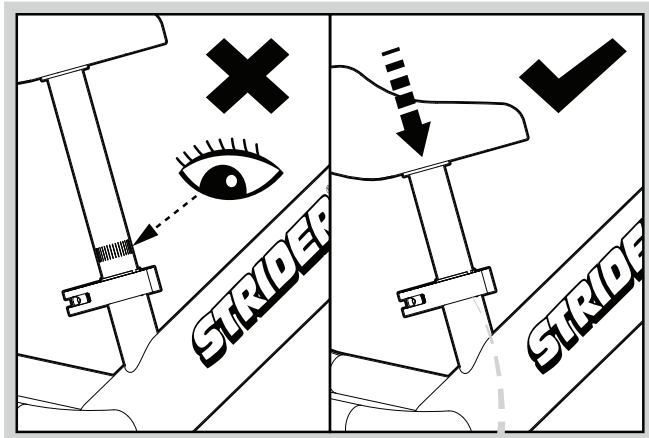


12 Inch Balance Bike

Sport Model







@StriderBikes



www.StriderBikes.com



WARNING: TO AVOID SERIOUS INJURY: Adult supervision is always required; always use in safe areas; always wear sturdy shoes and a properly adjusted helmet. Un-assembled bike and container have parts that are a CHOKING HAZARD to young children. Regularly inspect the bike and replace worn components as necessary. 60-Day Satisfaction Guarantee, 2-Year Warranty against manufacturing defects. Visit www.StriderBikes.com/warranty for more information. © 2022 Strider Sports Int'l, Inc., Rapid City, SD, USA. All rights reserved. Designed in USA. Made in China. Retain this package for future reference. Genuine Strider parts & accessories available through Authorized Strider Distributors and Dealers. This product is subject to various registered intellectual property interests including patents, trademarks and/or copyrights in USA and other countries. Details of these interests may be found at www.StriderBikes.com/IP. Strider and all related trademarks and logos are trademarks of Strider Sports Int'l, Inc. Contact ip@striderbikes.com for further details.