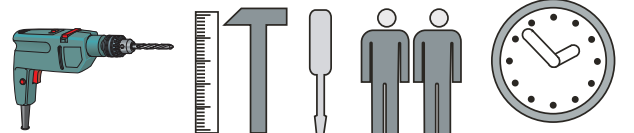
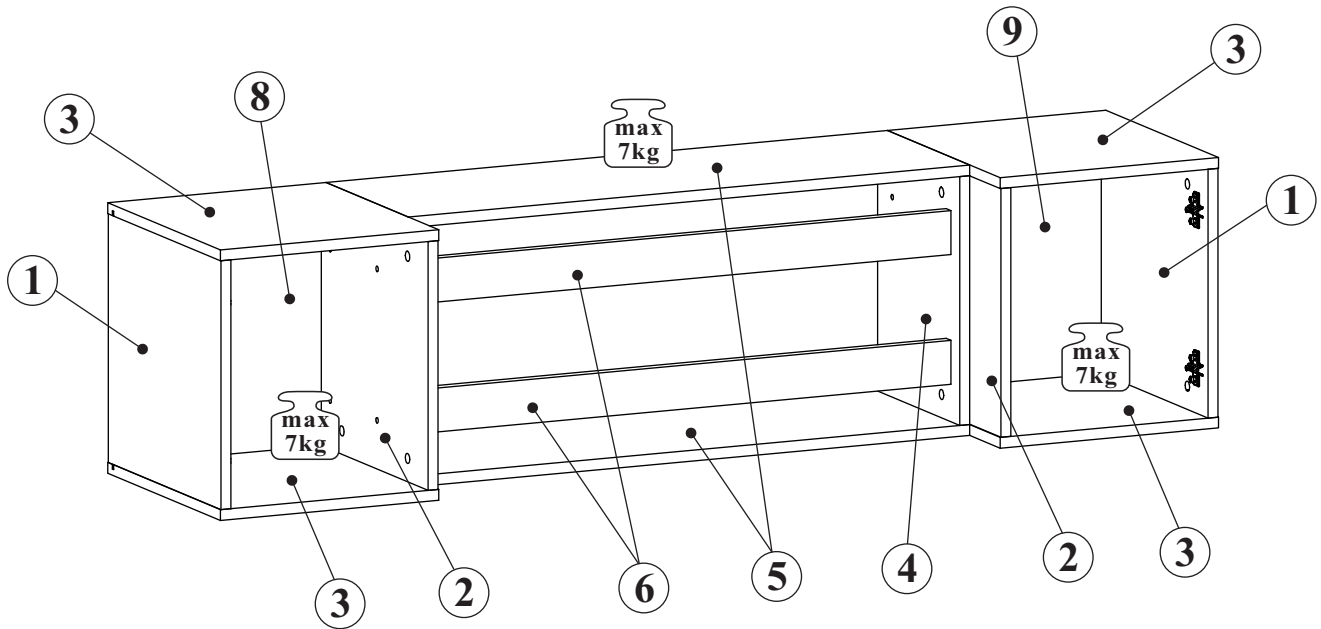
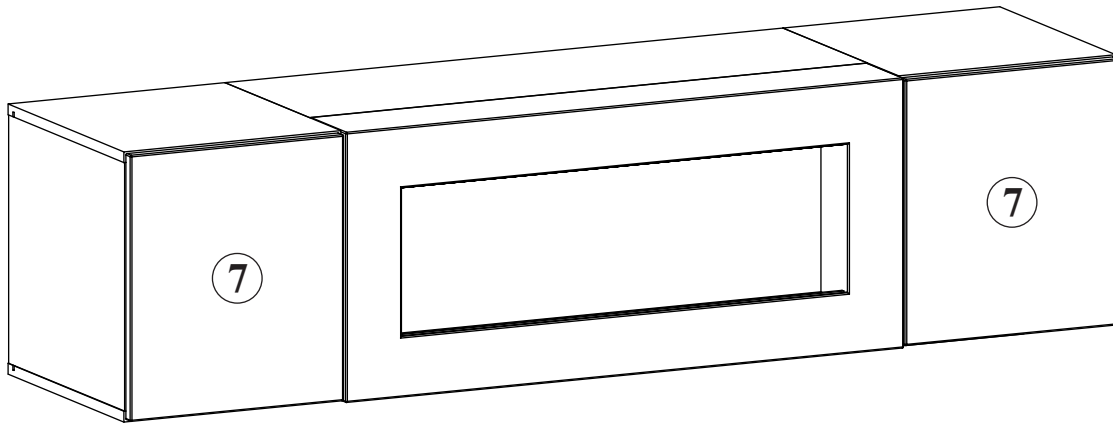
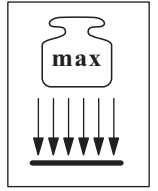


FLY 28 -- FY SBK

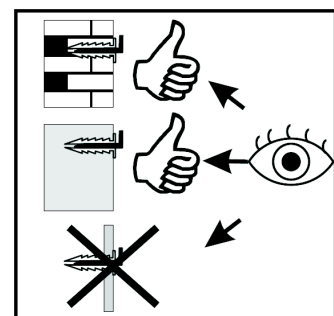
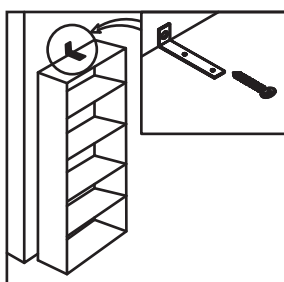
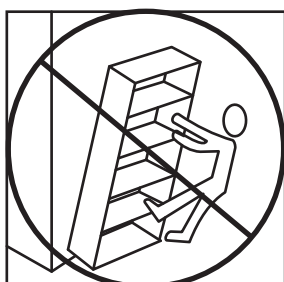
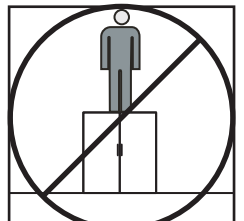
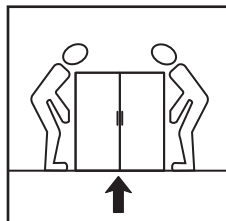
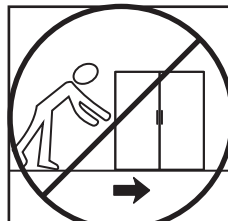
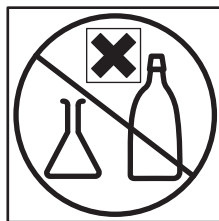
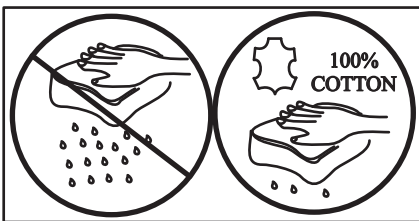
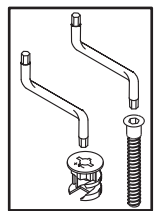
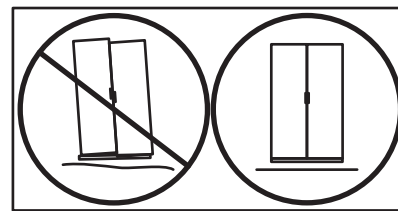
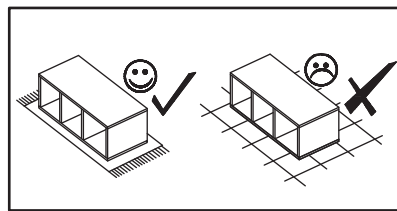
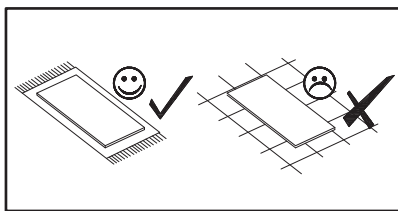
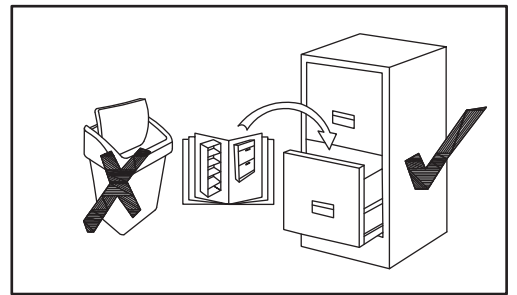
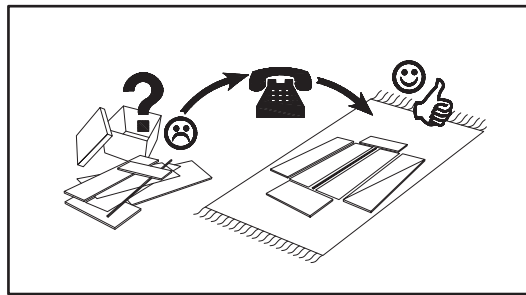
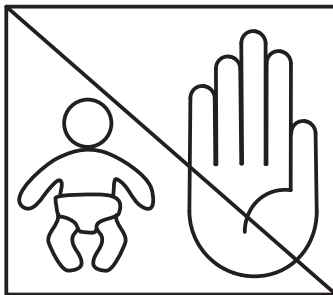
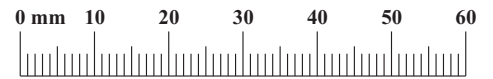


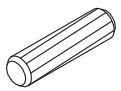

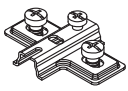
120 min

NO	Dim.		Col.-No	Qty
1	368	384	1	2
2	368	384	1	2
3	350	384	1	4
4	368	280	1	2
5	900	280	1	2
6	868	65	1	2
7	344	394	1	2
8	380	328	1	1
9	380	328	1	1

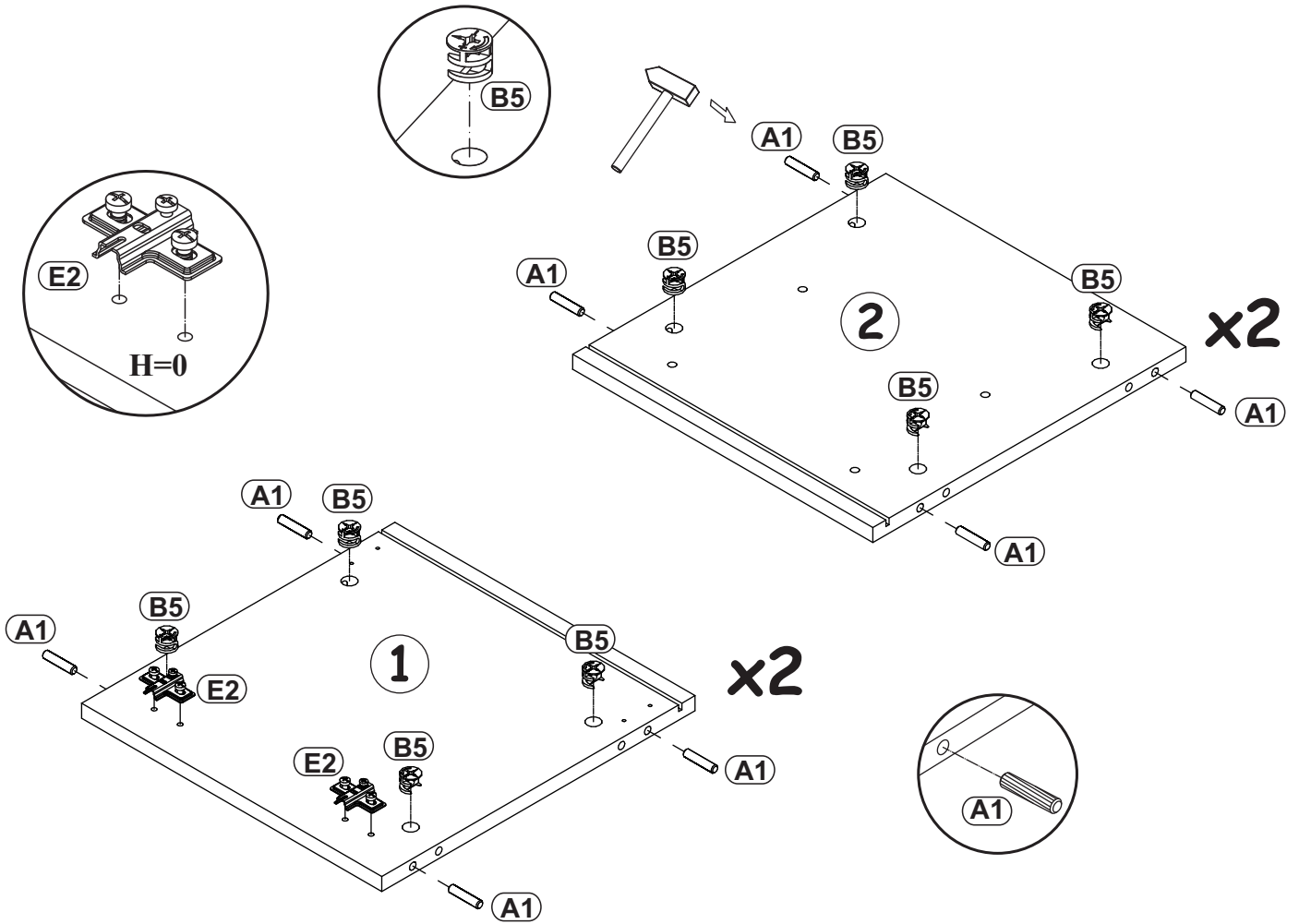
FLY 28 -- FY SBK

A1 x28 Ø8x36	B5 x28 Ø15x12	B4 x28	G5 x28	ZR1 x4	D6 x8 USØ3,5x30
E1 x4 Ø26 H=0	E2 x4 H=0	D10 x12 USØ3,5x13	OD1 x2	B81 x8 M6x26-35 Ø8	S1 x8
PI x1	UP13 x2 UPØ3x16	UP6 x2 UPØ4x30	KR2 x4	G2 x1	

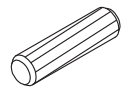

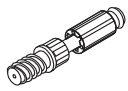


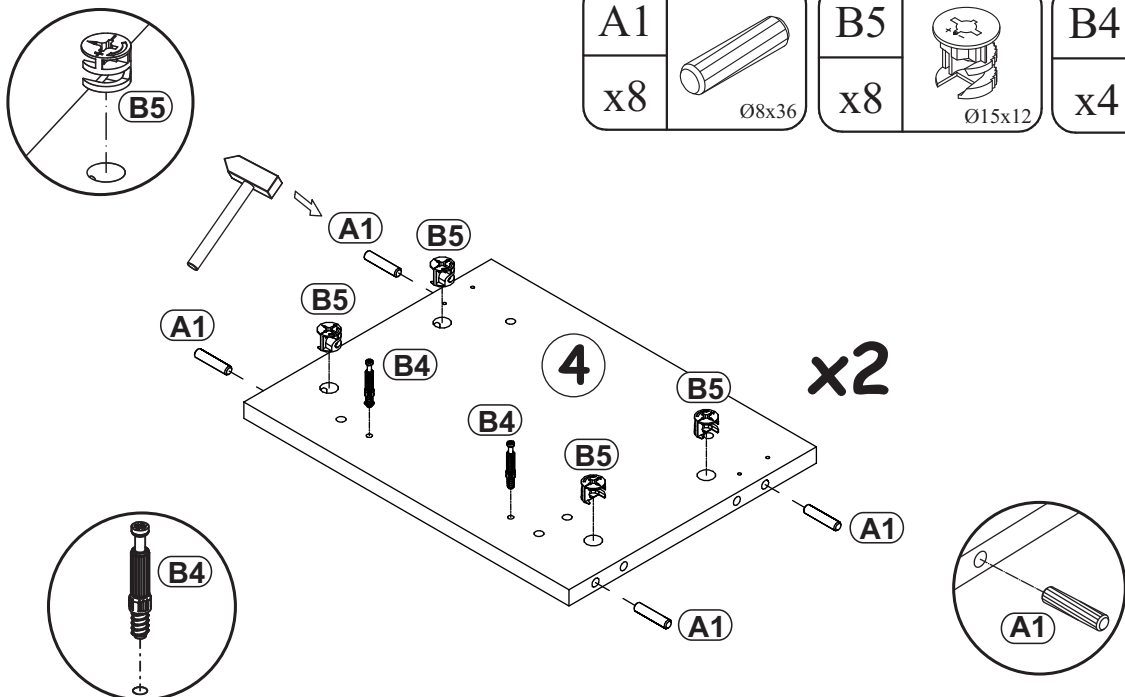
A1		B5		E2	
x16	Ø8x36	x16	Ø15x12	x4	H=0

1



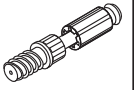
2

A1		B5		B4	
x8	Ø8x36	x8	Ø15x12	x4	

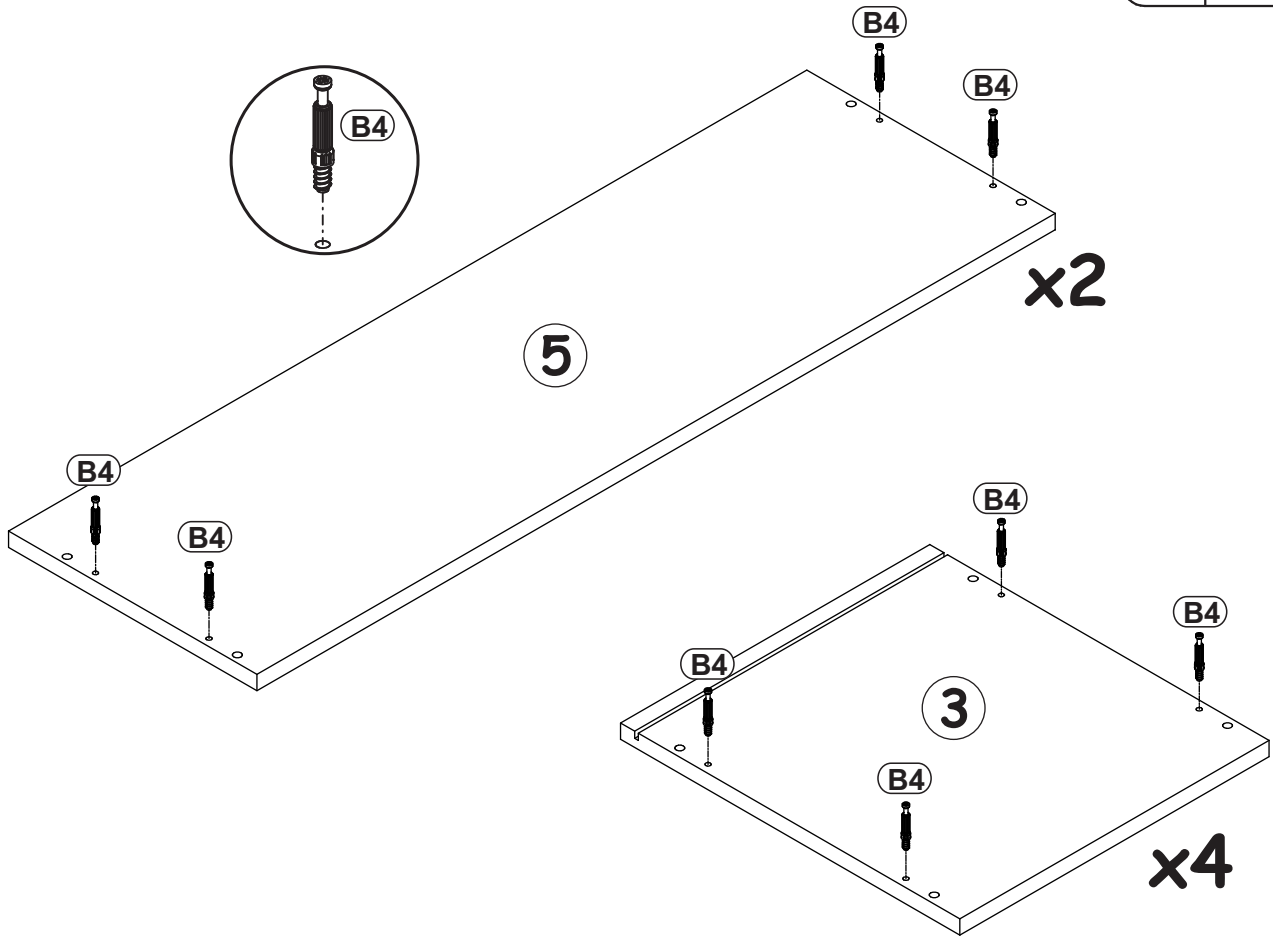


B4

x24



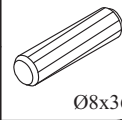
3



4

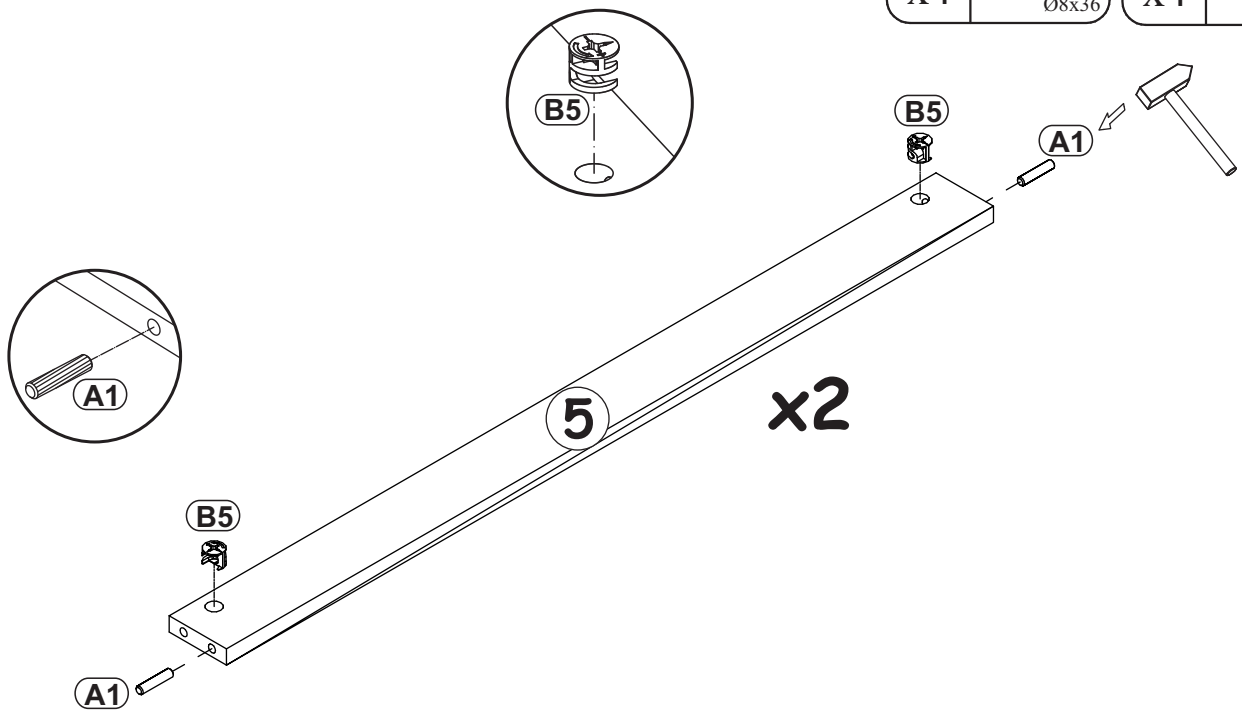
A1

x4

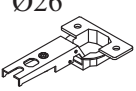
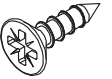


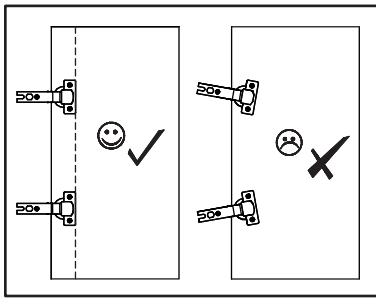
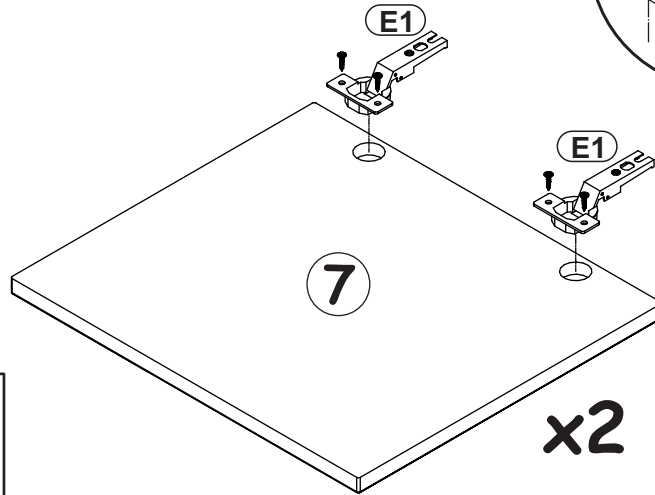
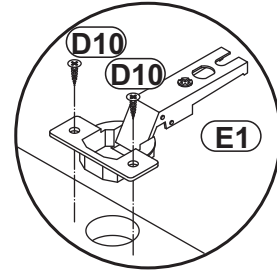
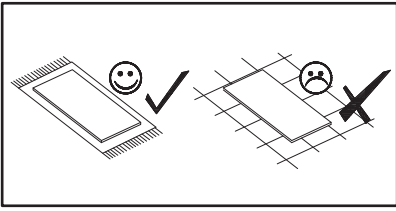
B5

x4




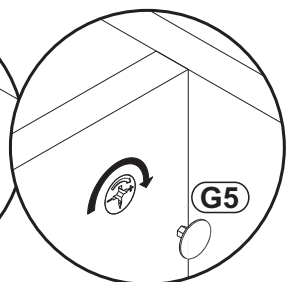
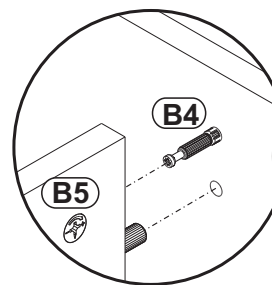
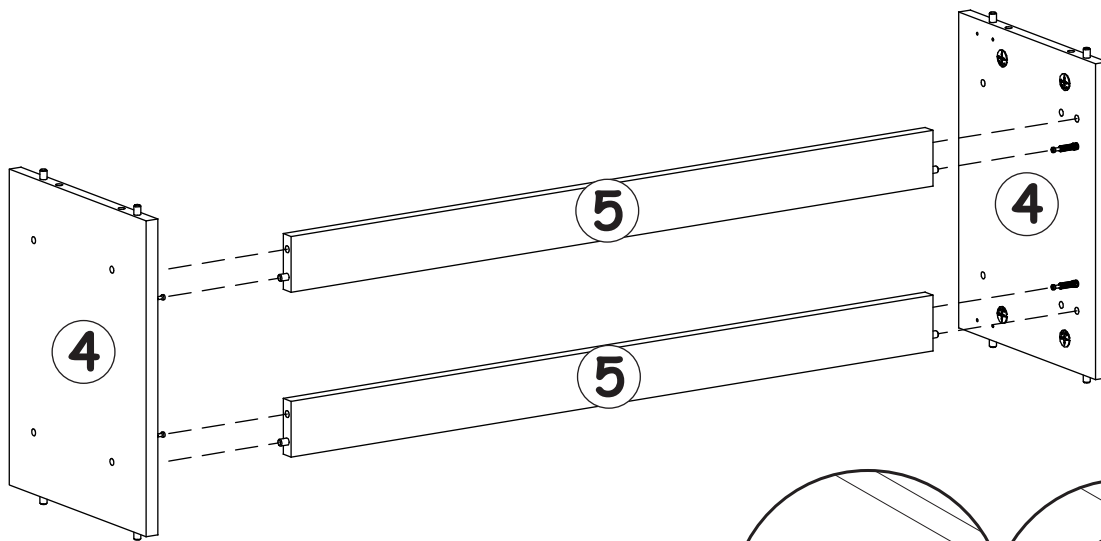
5

E1	Ø26 	D10	
x4	H=0	x8	USØ3,5x13




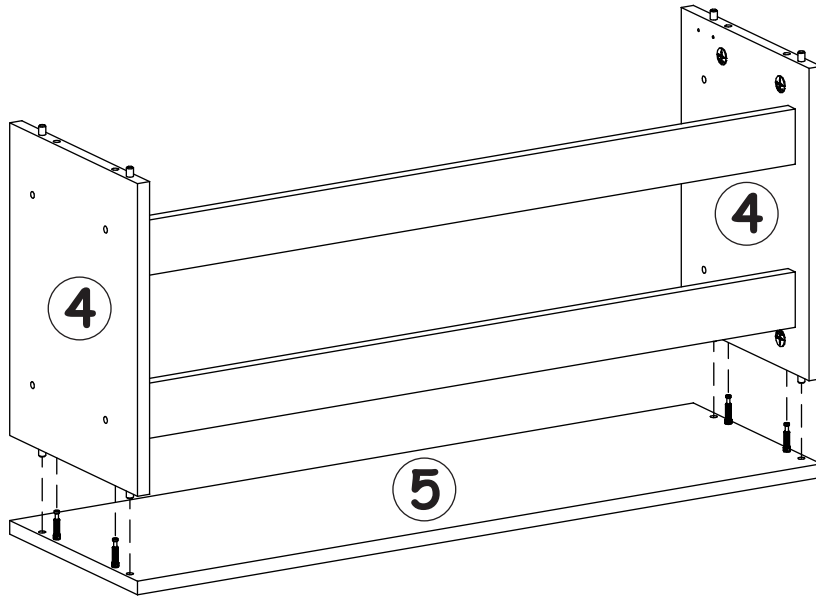
6

G5	
x4	





7

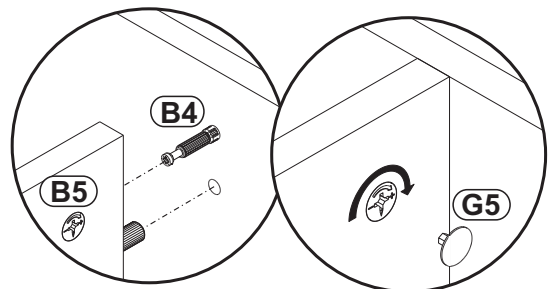
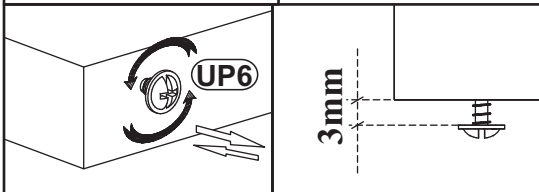
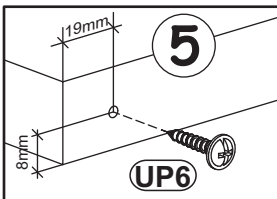
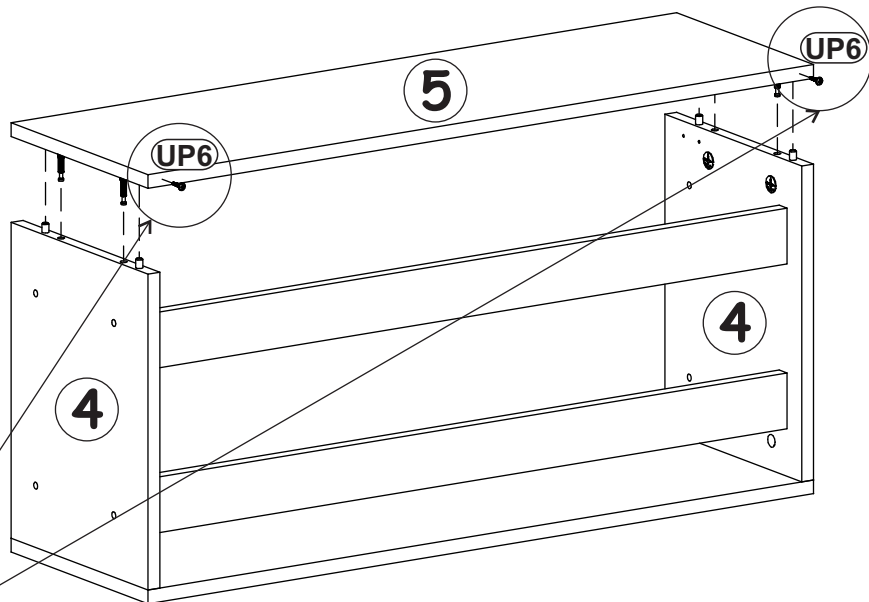
G5	
x4	




8

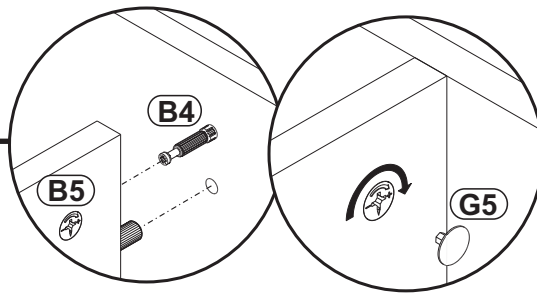
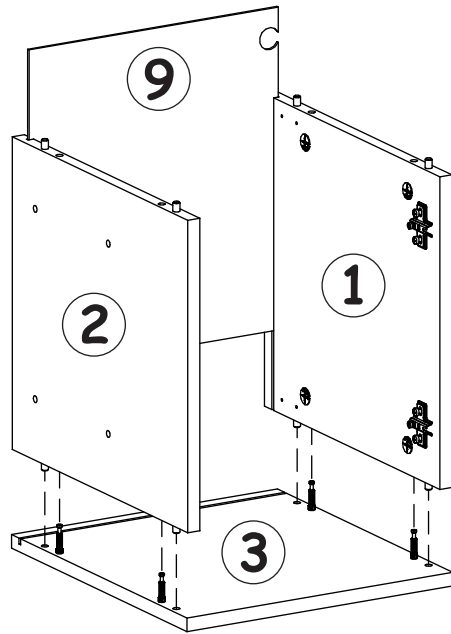
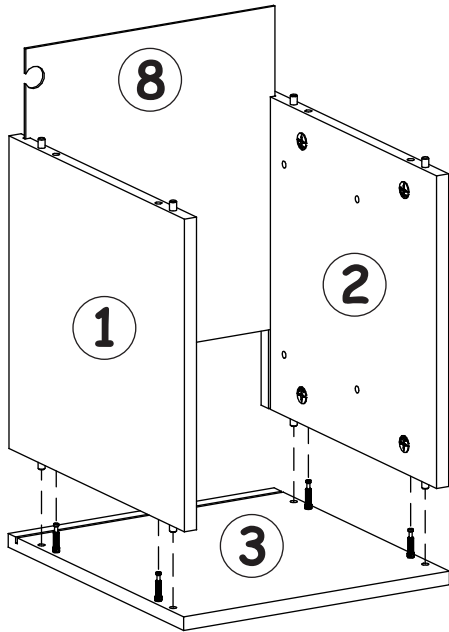
G5	
x4	

UP6	
x2	UPØ4x30




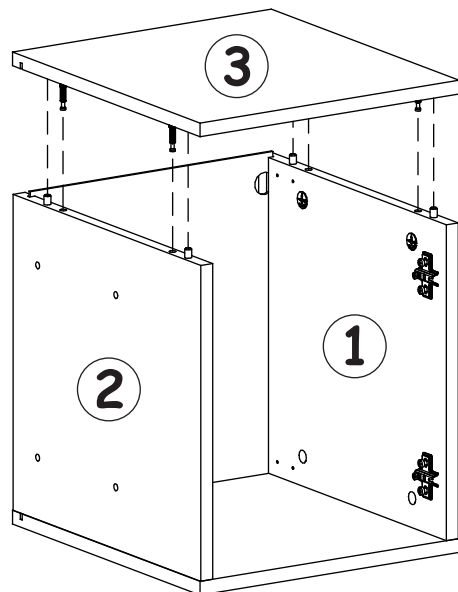
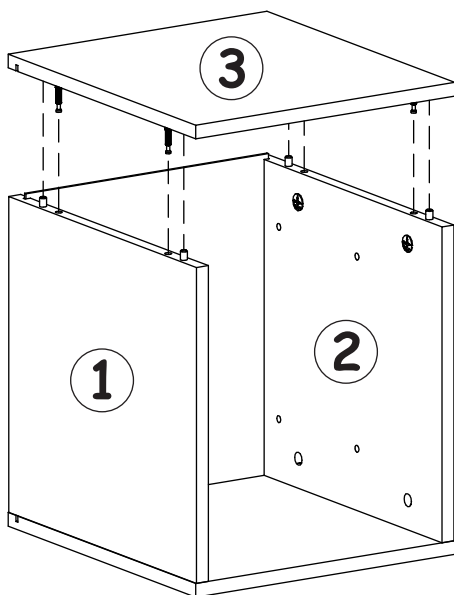
G5	
x8	

9

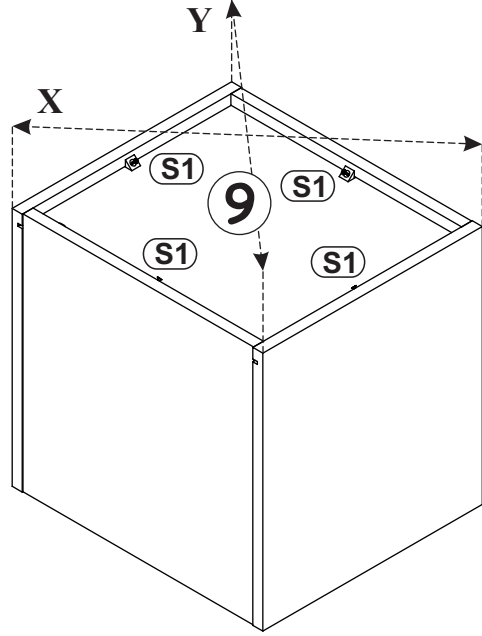
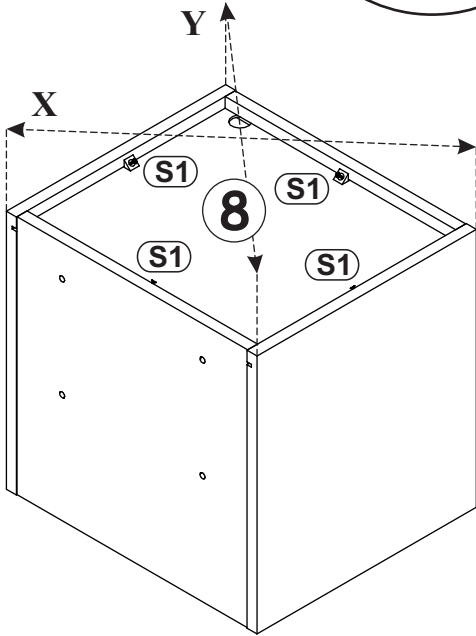
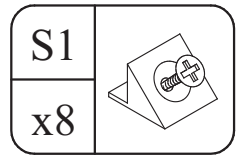
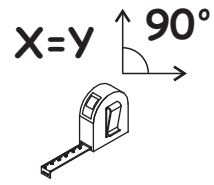
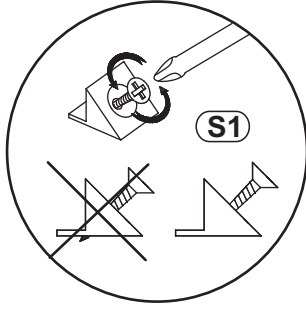


10

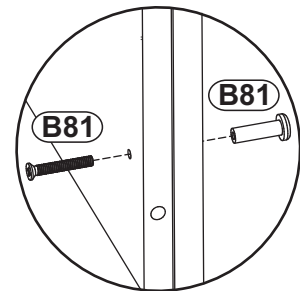
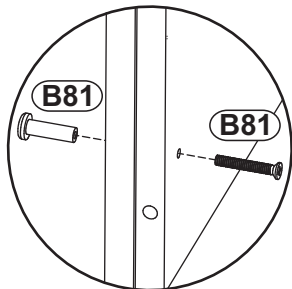
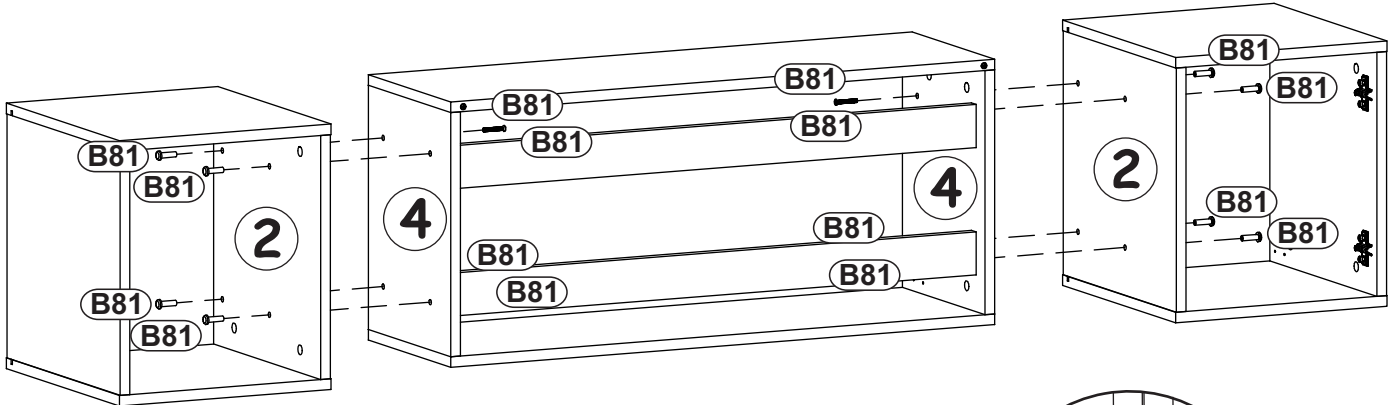
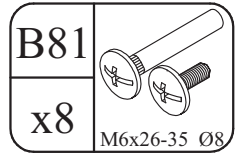
G5	
x8	

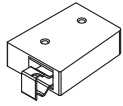



11

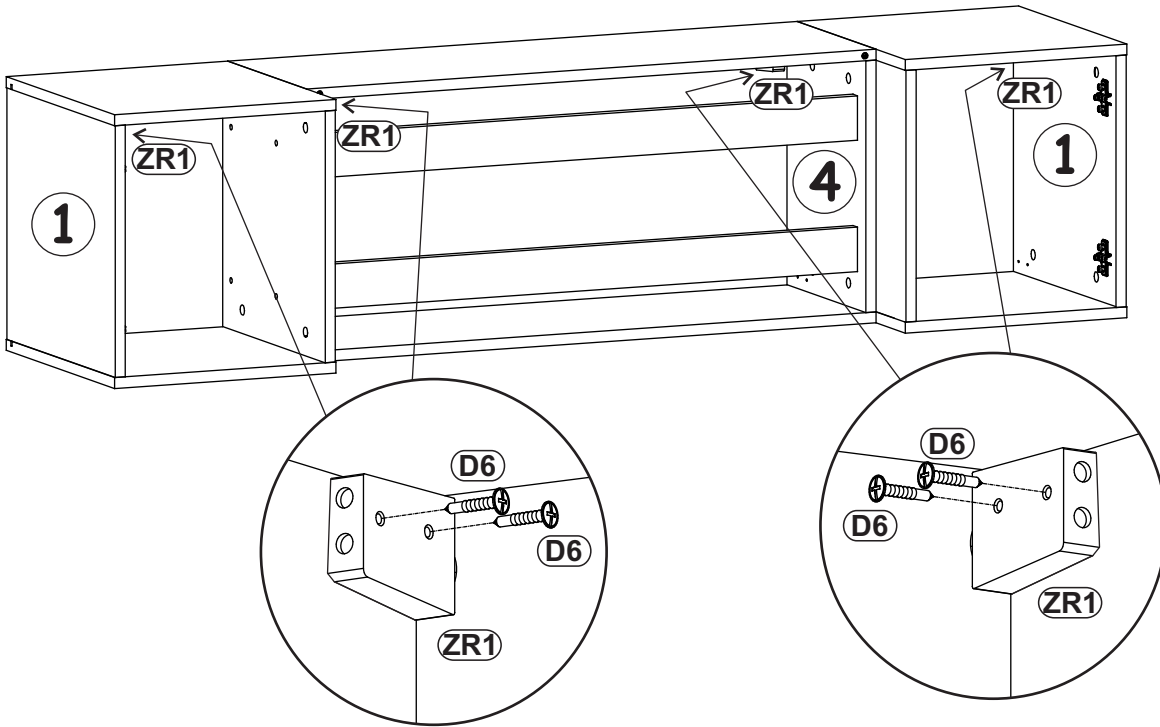


12

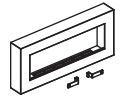
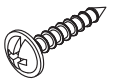


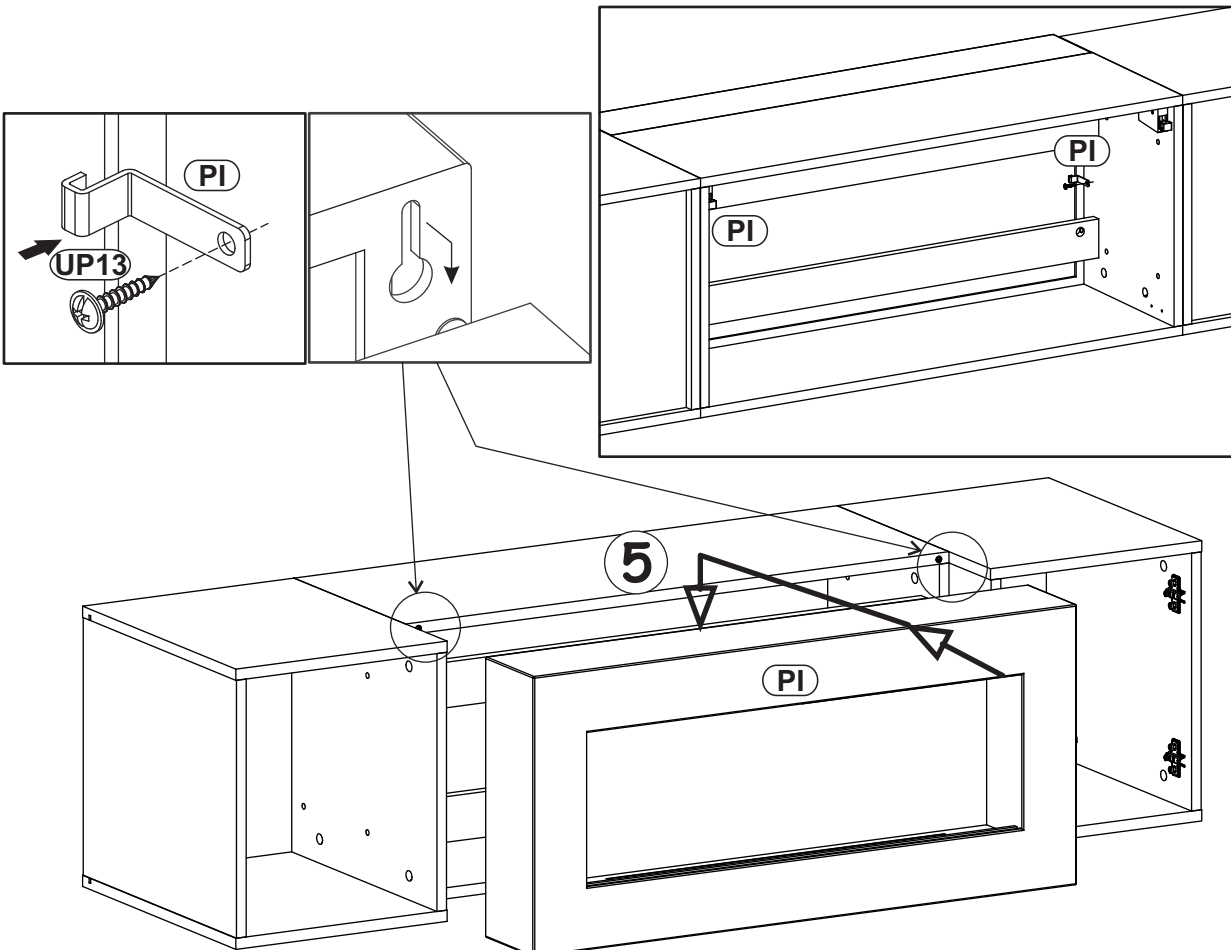
ZR1		D6	
x4		x8	USØ3,5x30

13

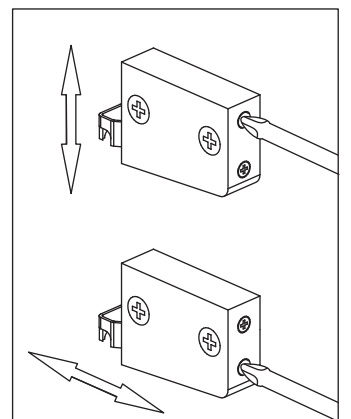
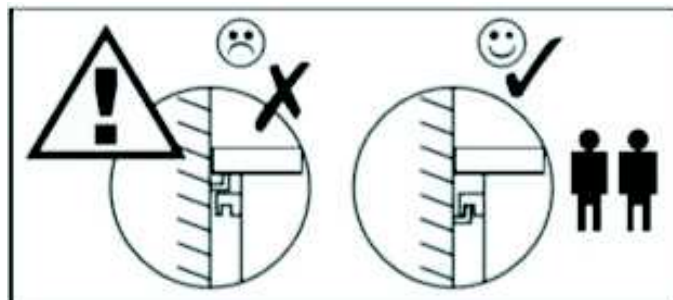
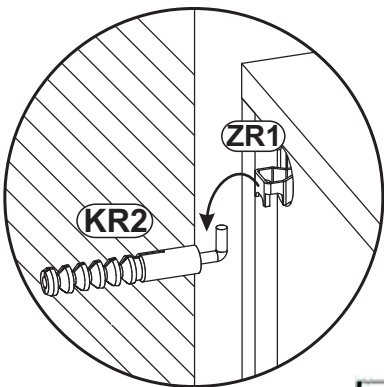
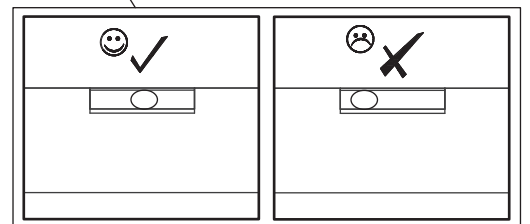
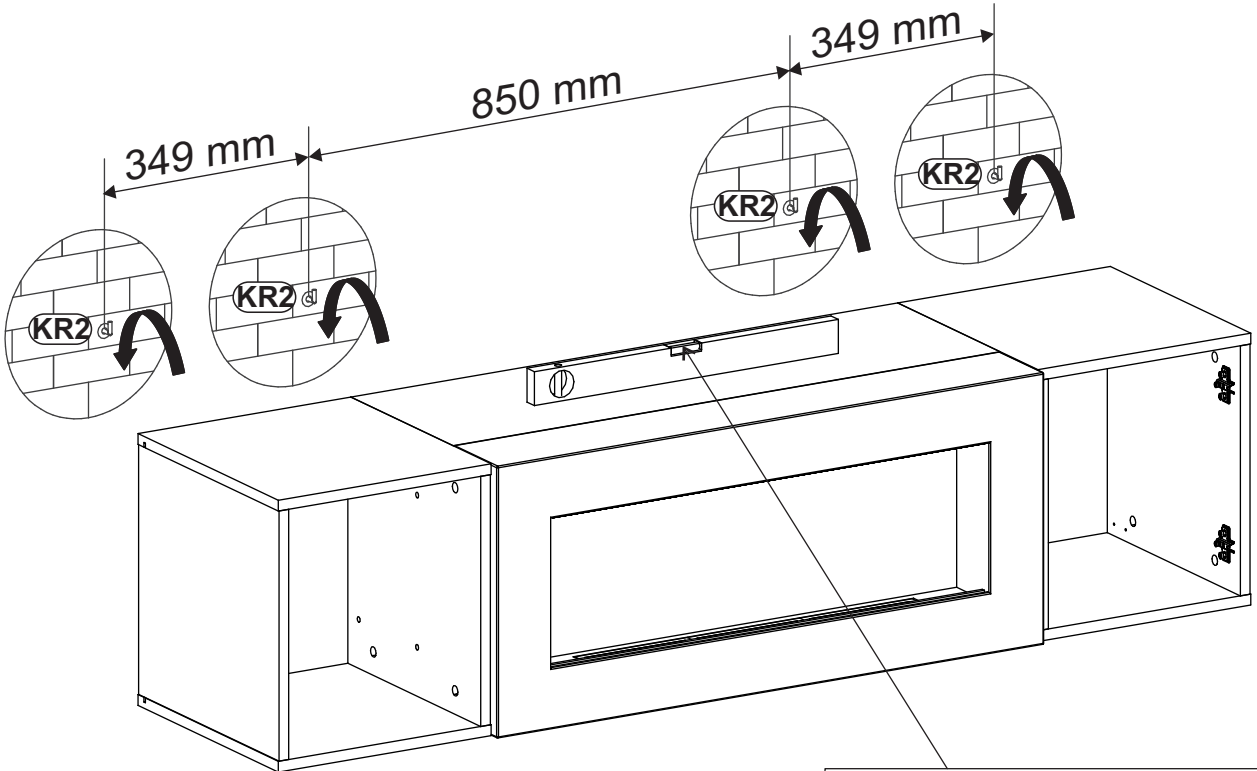
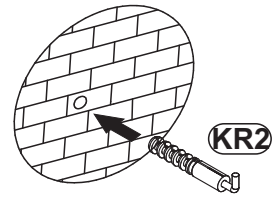
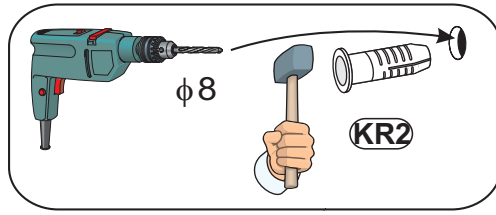
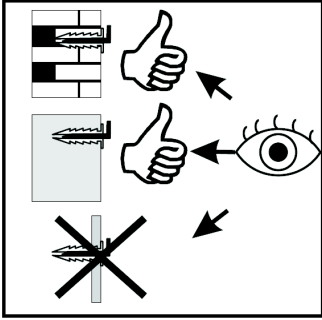
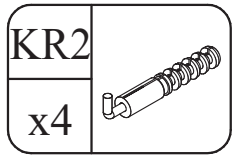


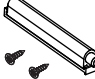
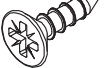

14

PI		UP13	
x1		x2	UPØ3x16



15



OD1		D10	
x2		x4	USØ3,5x13

16

