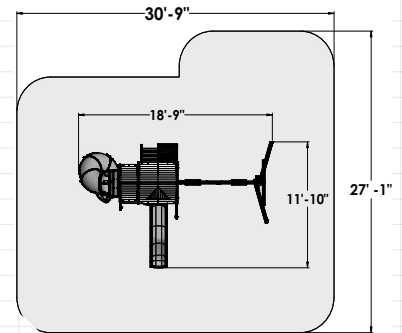


F25715E

CANYON RIDGE



OBSTACLE FREE SAFETY ZONE - 30' 9" x 27' 1" (9.37 x 8.23 m) area requires Protective Surfacing. See page 4.
MAXIMUM VERTICAL FALL HEIGHT - 6' 7" (2.01 m).
CAPACITY - 12 Users Maximum, Ages 3 - 10; Weight Limit 110 lbs. (50 kg) per child.
RESIDENTIAL HOME USE ONLY. Not intended for public areas such as multi-unit residences, schools, churches, nurseries, day cares or parks.



INSTALLATION AND OPERATING INSTRUCTIONS

FOR 24/7 ONLINE PARTS REPLACEMENT

parts.kidkraft.com

KidKraft, Inc.
 4630 Olin Road
 Dallas, Texas 75244
 USA

customerservice@kidkraft.com

1.800.933.0771
 972.385.0100

Made in China

parts.kidkraft.eu

KidKraft Netherlands BV
 Olympisch Stadion 8
 1076 DE Amsterdam
 The Netherlands

eupecustomerservice@kidkraft.com

+31 20 305 8620
 M-F from 09:00 to 17:30 (GMT+1)

9405715E

Rev 12/16/2022



WARNING

To reduce the risk of serious injury or death, please read and follow these instructions. Keep and refer to instructions as needed and pass along to any future owners of this item.

Congratulations on purchasing a KidKraft product!

**Our items are made of high-quality,
durable Cunninghamia Lanceolata wood
from the cypress family.**

**Lumber from these trees are known for
their light weight and excellent strength.
The porosity of this wood allows the
moisture to absorb and evaporate in the
fibers, resisting rot and bugs.**

**Engineered for great play, our products
also go through extensive testing for safety.**

**Plus, our team has developed a series of
proprietary methods for a simpler, more
organized assembly. Less build time and
more play time is our motto!**

**However, during assembly if you have any
questions or concerns, please reach out.
Our Customer Service can help with missing
parts, instructions or maintenance.**



Warnings and Safe Play Instructions



CONTINUOUS ADULT SUPERVISION REQUIRED. Most serious injuries and deaths on playground equipment have occurred while children were unsupervised! Our products are designed to meet mandatory and voluntary safety standards. Complying with all warnings and recommendations in these instructions will reduce the risk of serious or fatal injury to children using this play system. Go over the warnings and safe play instructions regularly with your children and make certain that they understand and follow them. Remember on-site adult supervision is required for children of all ages.



WARNING

SERIOUS HEAD INJURY HAZARD

Installation over concrete, asphalt, dirt, grass, carpet and other hard surface creates a risk of serious injury or death from falls to the ground. Install and maintain shock absorbing material under and around play-set as recommended on page 4 of these instructions.

COLLISION HAZARD

Place play-set on level ground at least 2m from any obstruction such as a garage or house, fences, poles, trees, sidewalks, walls, landscape timbers, rocks, pavement, planters, garden borders, overhanging branches, laundry lines, and electrical wires. (See OBSTACLE FREE SAFETY ZONE on cover)

CHOKING HAZARD/SHARP EDGES & POINTS

Adult assembly required. This product contains small parts and parts with sharp edges and points. Keep parts away from children until fully assembled.

WARNING LABEL

Owners shall be responsible for maintaining the legibility of the warning labels.

STRANGULATION HAZARD

- NEVER allow children to play with ropes, clotheslines, pet leashes, cables, chains or cord-like items when using this play-set or to attach these items to play-set.
- NEVER allow children to wear loose fitting clothing, ponchos, hoods, scarves, capes, necklaces, items with draw-strings, cords or ties when using this play-set.
- NEVER allow children to wear bike or sport helmets when using this play-set.

Failure to prohibit these items, even helmets with chin straps, increases the risk of serious injury and death to children from entanglement and strangulation.

TIP OVER HAZARD

Choose a level location for the equipment. This can reduce the likelihood of the play set tipping over and loose-fill surfacing materials washing away during heavy rains.

DO NOT allow children to play on the play-set until the assembly is complete and the unit is properly anchored.

Never add extra length to chain or rope. The chains or ropes provided are the maximum length designed for the swinging element(s).



WARNING – Safe Play Instructions

- ✓ Observe capacity limitations of your play-set. See front cover.
- ✓ Dress children with well fitting and full foot enclosing footwear.
- ✓ Teach children to sit with their full weight in the center of the swing seat to prevent erratic swing motion or falling off.
- ✓ Check for splintered, broken or cracked wood; missing, loose, or sharp edged hardware. Replace, tighten and or sand smooth as required prior to playing.
- ✓ Verify that suspended climbing ropes, rope ladders, chain or cable are secured at both ends and cannot be looped back on itself as to create an entanglement hazard.
- ✓ On sunny and or hot days, check the slide and other plastic rides to assure that they are not very hot as to cause burns. Cool hot slide and rides with water and wipe dry prior to using.
- ✓ Orientate slide such that it gets the least amount of exposure to the sun.
- ✗ Do not allow children to wear open toe or heel footwear like sandals, flip-flops or clogs.
- ✗ Do not allow children to walk, in front, between, behind or close to moving rides.
- ✗ Do not let children twist swing chains or ropes or loop them over the top support bar. This may reduce the strength of the chain or rope and cause premature failure.
- ✗ Do not let children get off rides while they are in motion.
- ✗ Do not permit climbing on equipment when it is wet.
- ✗ Do not permit rough play or use of equipment in a manner for which it was not intended. Standing on or jumping from the roof, elevated platforms, swings, climbers, ladders or slide can be dangerous.
- ✗ Do not allow children to swing empty rides or seats.
- ✗ Do not allow children to go down slide head first or run up slide.

⚠️ Protective Surfacing - Reducing Risk of Serious Head Injury From Falls

One of the most important things you can do to reduce the likelihood of serious head injuries is to install shock-absorbing protective surfacing under and around your play equipment. The protective surfacing should be applied to a depth that is suitable for the equipment height in accordance with ASTM F1292. There are different types of surfacing to choose from; whichever product you select, follow these guidelines:

Loose-Fill Materials

- Maintain a minimum depth of 9 inches (23 cm) of loose-fill materials such as wood mulch/chips, engineered wood fiber (EWF), or shredded/recycled rubber mulch for equipment up to 8 feet (2.45 m) high; and 9 inches (23 cm) of sand or pea gravel for equipment up to 5 feet (1.5 m) high. NOTE: An initial fill level of 12 inches (31 cm) will compress to about a 9-inch (23 cm) depth of surfacing over time. The surfacing will also compact, displace, and settle, and should be periodically raked and refilled to maintain at least a 9-inch (23 cm) depth.
- Use a minimum of 6 inches (16 cm) of protective surfacing for play equipment less than 4 feet (1.22 m) in height. If maintained properly, this should be adequate. (At depths less than 6 inches (16 cm), the protective material is too easily displaced or compacted.)

NOTE: Do not install home playground equipment over concrete, asphalt, or any other hard surface. A fall onto a hard surface can result in serious injury to the equipment user. Grass and dirt are not considered protective surfacing because wear and environmental factors can reduce their shock absorbing effectiveness. Carpeting and thin mats are not adequate protective surfacing. Ground level equipment -- such as a sandbox, activity wall, playhouse or other equipment that has no elevated play surface -- does not need any protective surfacing.

- Use containment, such as digging out around the perimeter and/or lining the perimeter with landscape edging. Don't forget to account for water drainage.
- Periodically rake, check and maintain the depth of the loose-fill surfacing material. Marking the correct depth on the play equipment support posts will help you to see when the material has settled and needs to be raked and or replenished. Be sure to rake and evenly redistribute the surfacing in heavily used areas.
- Do not install loose fill surfacing over hard surfaces such as concrete or asphalt.

Poured-In-Place Surfaces or Pre-Manufactured Rubber Tiles

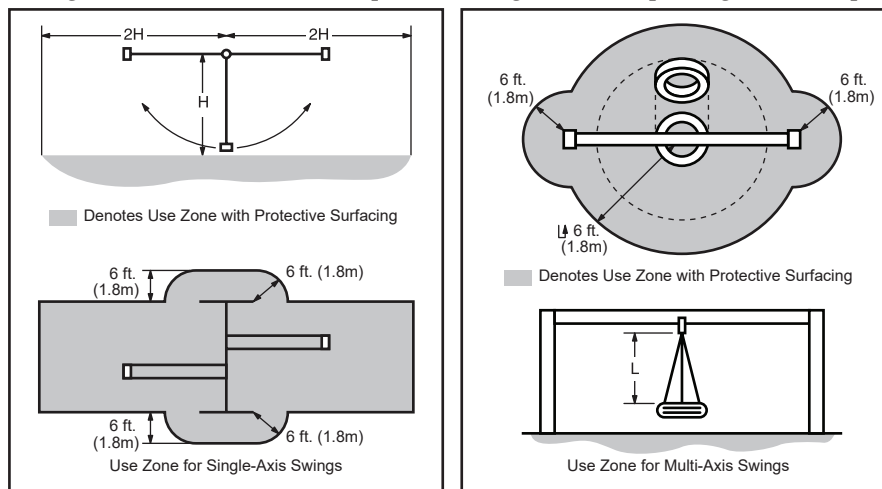
You may be interested in using surfacing other than loose-fill materials - like rubber tiles or poured-in-place surfaces.

- Installations of these surfaces generally require a professional and are not "do-it yourself" projects.
- Review surface specifications before purchasing this type of surfacing. Ask the installer/manufacturer for a report showing that the product has been tested to the following safety standard: ASTM F1292 *Standard Specification for Impact Attenuation of Surfacing Materials within the Use Zone of Playground Equipment*. This report should show the specific height for which the surface is intended to protect against serious head injury. This height should be equal to or greater than the fall height - vertical distance between a designated play surface (*elevated surface for standing, sitting, or climbing*) and the protective surfacing below - of your play equipment.
- Check the protective surfacing frequently for wear.

Placement

Proper placement and maintenance of protective surfacing is essential. Refer to diagram on front cover. Be sure to;

- Extend surfacing at least 6 feet (1.8 m) from the equipment in all directions.
- For to-fro swings, extend protective surfacing in front of and behind the swing to a distance equal to twice the height of the top bar from which the swing is suspended.
- For tire swings, extend surfacing in a circle whose radius is equal to the height of the suspending chain or rope, plus 6 feet (1.8 m) in all directions.

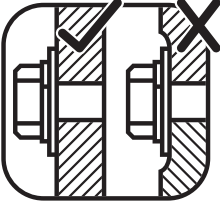
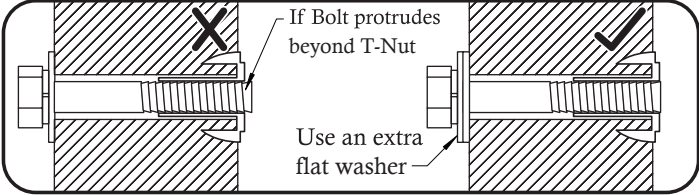


From the CPSC Outdoor Home Playground Safety Handbook. At <http://www.playgroundregs.com/resources/CPSC%20324.pdf>

Instructions for Proper Maintenance

Your KidKraft Play System is designed and constructed of quality materials with your child's safety in mind. As with all outdoor products used by children, it will weather and wear. To maximize the enjoyment, safety and life of your Play Set, it is important that you, the owner, properly maintain it.

Check the following at the beginning of the play season:

<p>HARDWARE:</p> <ul style="list-style-type: none"> ✓ Check metal parts for rust. If found, sand and repaint using a non-lead paint complying with 16 CFR 1303. ✓ Inspect and tighten all hardware. On wood assemblies DO NOT OVER-TIGHTEN as to cause crushing and splintering of wood. ✓ Check for sharp edges or protruding screw threads, add washers if required.   <p>SHOCK ABSORBING SURFACING:</p> <ul style="list-style-type: none"> ✓ Check for foreign objects. Rake and check depth of loose fill protective surfacing materials to prevent compaction and maintain appropriate depth. Replace as necessary. (See Protective Surfacing, page 4) 	<p>GROUND STAKES (ANCHORS):</p> <ul style="list-style-type: none"> ✓ Check for looseness, damage or deterioration. Should firmly anchor unit to ground during use. Re-secure and or replace, if necessary. <p>SWING HANGERS:</p> <ul style="list-style-type: none"> ✓ Check that bolts are secure and tight. Quick clips should be completely closed and threaded clips screwed tight. ✓ If squeaking occurs lubricate bushings with oil or WD-40®. <p>SWINGS, ROPES AND RIDES:</p> <ul style="list-style-type: none"> ✓ Reinstall if removed during cold season. Check all moving parts including swing seats, ropes, chains and attachments for wear, rust and other deterioration. Replace as needed. ✓ Check that ropes are tight, secure at both ends and cannot loop back as to create an entrapment. <p>WOOD PARTS:</p> <ul style="list-style-type: none"> ✓ Check all wood members for deterioration, structural damage and splintering. Sand down splinters and replace deteriorated wood members. As with all wood, some checking and small cracks in grain is normal. ✓ Applying a water repellent or stain (water-based) on a yearly basis is important maintenance to maintain maximum life and performance of the product.
--	---

Check twice a month during play season:

<p>HARDWARE:</p> <ul style="list-style-type: none"> ✓ Inspect for tightness. Must be firmly against, but not crushing the wood. DO NOT OVER-TIGHTEN. This will cause splintering of wood. ✓ Check for sharp edges or protruding screw threads. Add washers if required. 	<p>SHOCK ABSORBING SURFACING:</p> <ul style="list-style-type: none"> ✓ Rake and check depth of loose fill protective surfacing materials to prevent compaction and maintain appropriate depth. Replace as necessary. (See Protective Surfacing, page 4)
---	---

Check once a month during play season:

<p>SWING HANGERS:</p> <ul style="list-style-type: none"> ✓ Check that they are secure and orientated correctly. Hook should rotate freely and perpendicular to support beam. ✓ If squeaking occurs lubricate bushings with oil or WD-40®. 	<p>SWINGS AND RIDES:</p> <ul style="list-style-type: none"> ✓ Check swing seats, all ropes, chains and attachments for fraying, wear, excessive corrosion or damage. Replace if structurally damaged or deteriorated.
--	---

Check at the end of the play season:

<p>SWINGS AND RIDES:</p> <ul style="list-style-type: none"> ✓ To prolong their life, remove swings and store inside when outside temperature is below 32°F/0°C. Below freezing, plastic parts may become more brittle. 	<p>SHOCK ABSORBING SURFACING:</p> <ul style="list-style-type: none"> ✓ Rake and check depth of loose fill protective surfacing materials to prevent compaction and maintain appropriate depth. Replace as necessary. (See Protective Surfacing, page 4)
--	---

If you dispose of your play set: Please disassemble and dispose of your unit so that it does not create any unreasonable hazards at the time it is discarded. Be sure to follow your local waste ordinances.

About Our Wood

KidKraft Premium Play Systems uses only premium playset lumber, ensuring the safest product for your children's use. Although we take great care in selecting the best quality lumber available, wood is still a product of nature and susceptible to weathering which can change the appearance of your set.

What causes weathering? Does it affect the strength of my Play System?

One of the main reasons for weathering is the effects of water (moisture); the moisture content of the wood at the surface is different than the interior of the wood. As the climate changes, moisture moves in or out of the wood, causing tension which can result in checking and or warping. You can expect the following due to weathering. These changes will not affect the strength of the product:

1. **Checking** is surface cracks in the wood along the grain. A post 4" x 4" (101mm x 101mm) will experience more checking than a board 1" x 4" (25mm x 101mm) because the surface and interior moisture content will vary more widely than in thinner wood.
2. **Warping** results from any distortion (twisting, cupping) from the original plane of the board and often happens from rapid wetting and drying of the wood.
3. **Fading** happens as a natural change in the wood color as it is exposed to sun-light and will turn a grey over time.

How can I reduce the amount of weathering to my Play System?

At the factory we have coated the wood with a water repellent or stain. This coating decreases the amount of water absorption during rain or snow thus decreasing the tension in the wood. Sunlight will break down the coating, so we recommend applying a water repellent or stain on a yearly basis (see your local stain and paint supplier for a recommended product).

Most weathering is just the normal result of nature and will not affect safe play and enjoyment for your child. However if you are concerned that a part has experienced a severe weathering problem please call our consumer relations department for further assistance.

Complete and mail registration card to receive important product notifications and assure prompt warranty service.

KidKraft Limited Warranty

MISSING OR DAMAGED PARTS:

KidKraft will replace any parts within 90 days from date of purchase found to be missing from or damaged in the original packaging. See Fig.1

Fig. 1	<u>Product Age (All Parts)</u> 0-90 Days from date of purchase	<u>Consumer Pays</u> \$0 for Part + Free Shipping
--------	---	--

DEFECTS IN MATERIAL AND WORKMANSHIP:

KidKraft warrants that this product is free from defects in materials and workmanship for a period of one (1) year from the original date of purchase (dated sales receipt and/or product registration is required). This one (1) year warranty covers all parts including wood, hardware, and all accessories (Such as swings, rides, and slides). See Fig. 2

Fig. 2	<u>Product Age (All Parts)</u> 91 Days to 1 Year	<u>Consumer Pays</u> \$0 for Part + Free Shipping
--------	---	--

WOOD ROT, DECAY, AND INSECT DAMAGE:

All wood carries a five (5) year warranty against rot, decay, and insect damage (dated sales receipt and/or product registration is required). Refer to the schedule below for charges associated with replacement of wood parts under this **Limited Warranty**. See Fig. 3

Fig. 3	<u>Product Age (Wood Parts)</u> 0 Days to 1 Year After 1 Year to 5 Year Over 5 Years	<u>Consumer Pays</u> \$0 for Part + Free Shipping \$0 for Part + Shipping & Handling 100% for Part (if available) + Shipping & Handling
--------	---	--

This warranty applies to the original owner and registrant and is non-transferable. Regular maintenance is required to ensure the integrity of this product. Failure by the owner to maintain the product according to the maintenance requirements may void this warranty.

This Limited Warranty does NOT cover:

- Any inspection cost
- Labor and/or costs for replacement of any defective item(s), including but not limited to, professional installer costs
- Incidental or consequential damages, including but not limited to, as a result of set relocation, move and/or reinstall
- Cosmetic defects which do not affect performance or integrity of a part or the entire product
- Vandalism, improper use or installation, or acts of nature, including but not limited to, high winds, fire, and flood
- Minor twisting, warping, checking, or any natural occurring properties of wood that do not affect performance or integrity.
- Any KidKraft product purchased, including but not limited to, a non-approved retailer, auction houses, second-hand, and as-is clearance items.

KidKraft products have been designed for safety and quality. Modifications made to the original product may damage the structural integrity of the unit leading to failure and possible injury. KidKraft cannot assume any responsibility for the modified products. Furthermore, modifications void all warranties.

This product is warranted for **RESIDENTIAL USE ONLY**. Under no circumstance should a KidKraft product be used in public settings such as schools, churches, playgrounds, parks, home and professional day cares and the like. Such use may lead to product failure and potential injury. Public use will void this warranty. KidKraft disclaims all other representations and warranties of any kind, express or implied.

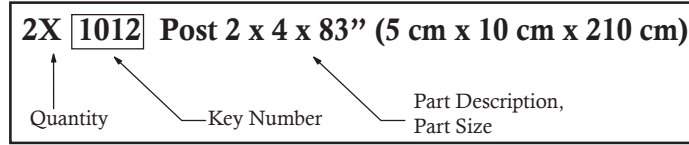
Keys to Assembly Success

Tools Required

<ul style="list-style-type: none"> • Tape Measure • Carpenters Level • Carpenters Square • Claw Hammer • Standard or Cordless Drill • Rubber Mallet 	<ul style="list-style-type: none"> • #1 Phillips, #2 Robertson and Screwdriver • Ratchet with extension 1/2" (13mm) & 7/16" (11 mm) sockets 	<ul style="list-style-type: none"> • Open End Wrench 1/2" (13mm) & 7/16" (11 mm) • Adjustable Wrench • 1/8" (3mm) & 3/16" (5mm) Drill Bits 	<ul style="list-style-type: none"> • 3/16" (5mm) Hex Key • 8' (2.4m) Step Ladder • Safety Glasses • Adult Helpers • Pencil
---	---	---	---

Part Identification Key

On each page, you will find the parts and quantities required to complete the assembly step illustrated on that page. Here is a sample.



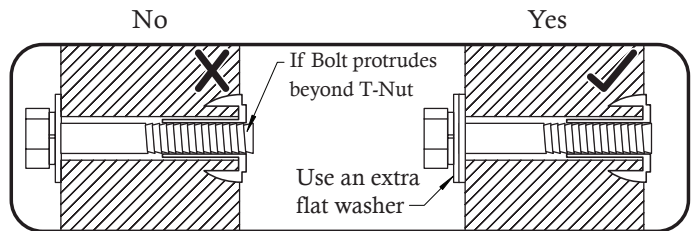
Symbols

Throughout these instructions symbols are provided as important reminders for proper and safe assembly.

<p>This identifies information that requires special attention. Improper assembly could lead to an unsafe or dangerous condition.</p>	<p>Check that set or assembly is properly level before proceeding.</p> <p>Use Level</p>
<p>Use Help</p> <p>Where this is shown, 2 or 3 people are required to safely complete the step. To avoid injury or damage to the assembly make sure to get help!</p>	<p>Pre-drill 1/8" (3mm) & 3/16" (5mm) Bit</p> <p>Pre-drill a pilot hole before fastening screw or lag to prevent splitting of wood.</p>
<p>Measure Distance</p> <p>Use a measuring tape to assure proper location.</p>	<p>Tighten Bolts</p> <p>This indicates time to tighten bolts, but not too tight! Do not crush the wood. This may create splinters and cause structural damage.</p>
<p>Check that assembly is square before tightening bolts.</p> <p>Square Assembly</p>	

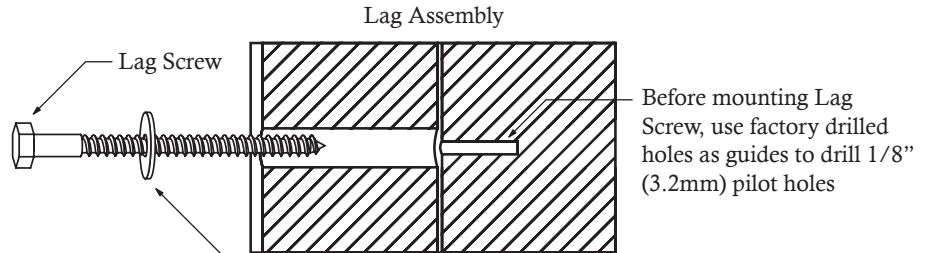
CAUTION – Protrusion Hazard

Once the assembly is tightened, watch for exposed threads. If a thread protrudes from the T-Nut, remove the bolt and add washers to eliminate this condition. Extra washers have been provided for this purpose.

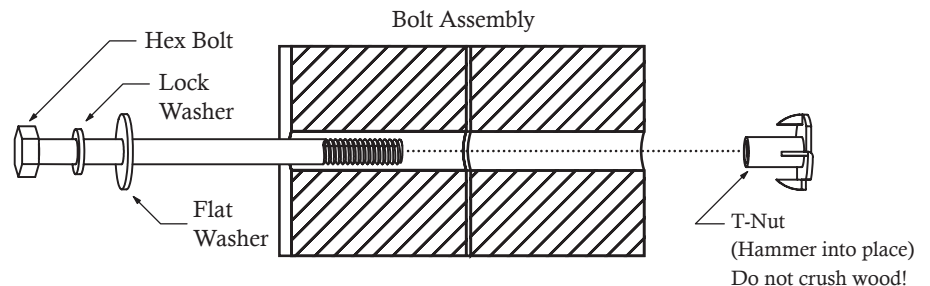


Proper Hardware Assembly

Lag screws require drilling pilot holes to avoid splitting wood. Only a flat washer is required. For ease of installation liquid soap can be used on all lag-type screws.

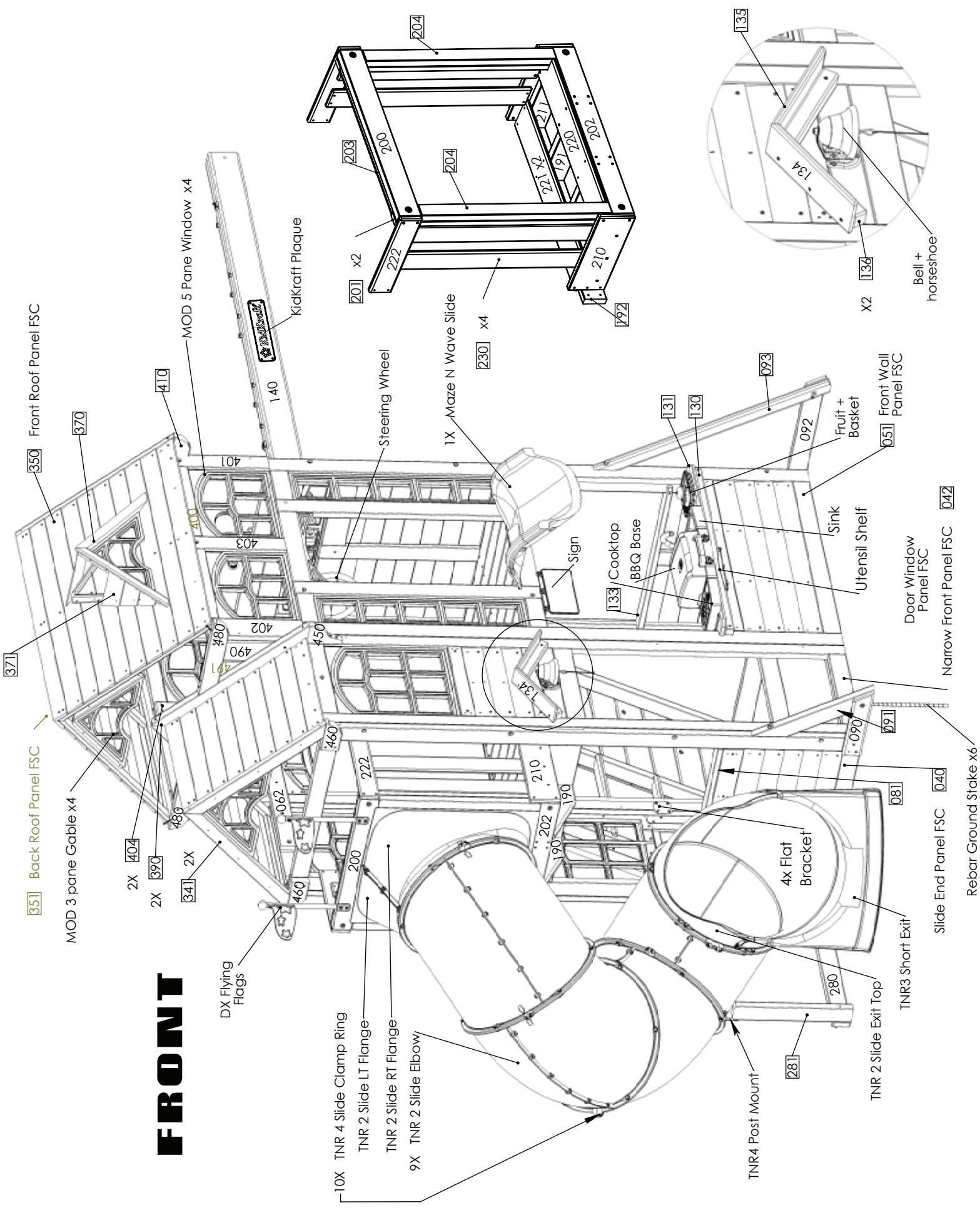


For bolts, tap T-Nut into hole with hammer. Insert the hex bolt through lock washer first then flat washer then hole. Because the assemblies need to be squared do not completely tighten until instructed. Pay close attention to diameter of the bolts. 5/16" (8mm) is slightly larger than 1/4" (6.4mm).



Note: Wafer head bolts with blue lock tight or a bolt with a Ny-Lok nut do NOT require a lock washer.

FRONT



350 Front Roof Panel FSC

351 Back Roof Panel FSC

MOD 3 pane Gable x4

MOD 5 Pane Window x4

DX Flying
Flags

KidKraft Plaque

10X TNR 4 Slide Clamp Ring
 TNR 2 Slide LT Flange
 TNR 2 Slide RT Flange
 9X TNR 2 Slide Elbow

Steering Wheel

1X Maze N Wave Slide

Sign

133 Cooktop
 BBQ Base

TNR4 Post Mount

4x Flat
Bracket

TNR 2 Slide Exit Top
 TNR3 Short Exit

Fruit +
Basket

Sink

Utensil Shelf

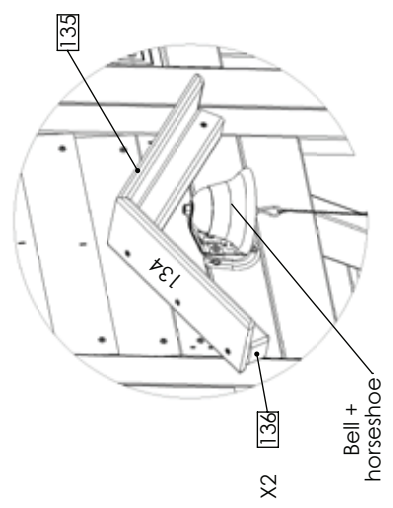
Door Window
Panel FSC

Slide End Panel FSC

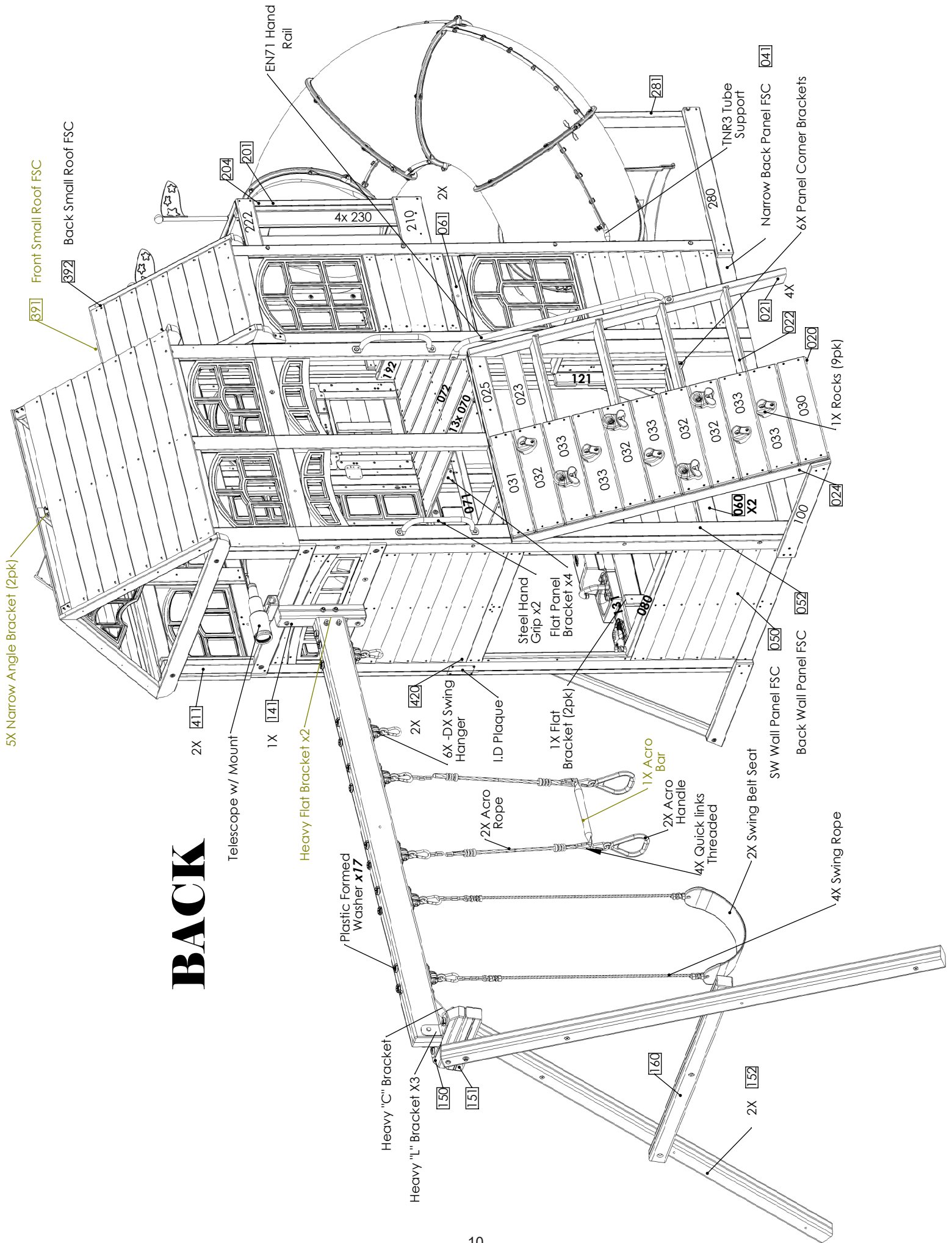
Narrow Front Panel FSC

Front Wall
Panel FSC

Rebar Ground Stake x6



BACK



Part Identification (Reduced Size)

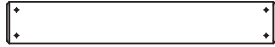
(1) **135** - Bell Top RT 5/8 x 3-3/8 x 11-1/4" - 3609101



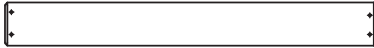
(1) **134** - Bell Top 5/8 x 3-3/8 x 11-1/4" - 3609102



(1) **023** - 1 x 4 x 21" - Ladder Gap - 3598958



(4) **230** - 1 x 4 x 29" - Cedar Wall - 3591975



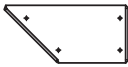
(1) **072** - 1 x 4 x 35-5/8" - Floor Board - 3599050



(1) **025** - 1 x 4 x 41-3/4" - RW - AL Support - 3599062



(2) **491** - 1 x 5 x 10" Transom Board B - 3599116



(2) **490** - 1 x 5 x 14-1/2" Transom Board A - 3599115



(1) **031** - 1 x 5 x 22-1/8" - Access Board - 3599032



(13) **070** - 1 x 5 x 35-5/8" - Floor Board - 3599051



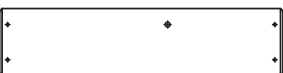
(1) **220** - 1 x 6 x 29-3/8" - Crowsnest Gap Board - 3599040



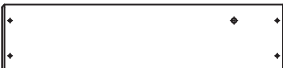
(2) **221** - 1 x 6 x 29-3/8" - Crowsnest Floor - 3599038



(5) **033** - 1 x 6 x 22-1/8" - Board Rock B - 3598512



(4) **032** - 1 x 6 x 22-1/8" - Board Rock A - 3598511



(1) **030** - 1 x 6 x 22-1/8" - Access Rock Bottom - 3598515



Part Identification (Reduced Size)

(2) **201** - 1 x 2 x 34-1/8" - Upright Crowsnest - 3599072



(2) **212** - 3/4 x 3-1/4 x 14-3/4" - Crowsnest Side - 3599042



(2) **210** - 3/4 x 5-1/4 x 14-3/4" - Crowsnest Bottom Side - 3599037



(2) **404** - 15/16 x 3 x 19-1/4" - Wall Tie - 3599117



(1) **121** - 5/4 x 3 x 10" - Door Stop - 3592715



(1) **081** - 5/4 x 3 x 33" - Half Wall Top - 3599053



(1) **080** - 5/4 x 3 x 33-1/2" - SW Wall Top - 3599071



(1) **090** - 5/4 x 4 x 14 1/4" - SW Ground - 3592606



(4) **022** - 5/4 x 4 x 19-1/2" - Tread - 3598957



(1) **203** - 5/4 x 4 x 25-1/2" - Crowsnest Short - 3598115



(1) **100** - 5/4 x 4 x 27-3/4" - RW-AL Ground Brace - 3599061



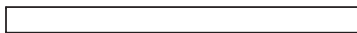
(1) **131** - 5/4 x 5 x 39-5/8" - Table Top - 3592611



(2) **062** - Tie 1 x 3 x 24-1/2" - 3599123



(2) **204** - 1-1/4 x 2 x 27-1/2" - 3599043



(2) **341** - Roof Support Small 1 1/4 x 2 1/4 x 29-11/16" - 3599104



(2) **390** - Mid Roof Support 1 1/4 x 2 1/4 x 32-3/4" - 3599109

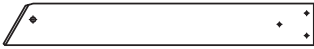


(4) **340** - Roof Support 1 1/4 x 2 1/4 x 33" - 3599105

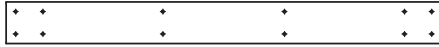


Part Identification (Reduced Size)

(1) **092** - 5/4 x 4 x 24 1/2" - Support Diagonal - 3599111



(1) **192** - 5/4 x 4 x 34" - Crowsnest Back - 3599036



(2) **411** - Swing Side Upright 1-1/4 x 2-1/2 x 16-1/2" - 3599112



(2) **400** - TB Support 1 1/4 x 2 1/2 x 44 1/4" - 3599114



(2) **460** - Roof End Short 1 1/4 x 3 x 6"- 3599103



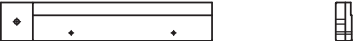
(1) **380** - Dormer Cleat 1 1/4 x 3 x 10" - 3599122



(2) **480** - Long Roof End 1 1/4 x 3 x 16-3/8" - 3599108



(2) **401** - Right Upright 1 1/4 x 3 x 16 1/2" - 3599110



(2) **403** - Centre Upright 1 1/4 x 3 x 16 1/2"- 3599106



(1) **281** - 1-1/4 x 3 x 20-1/4" - TNR Upright - 3598965



(1) **091** - 1-1/4 x 3 x 22" - Diagonal - 3592607



(1) **280** - 1-1/4 x 3 x 32-1/4" - TNR Ground Brace - 3598963



(2) **060** - 1-1/4 x 3 x 40-3/4" - Floor Joist - 3592608



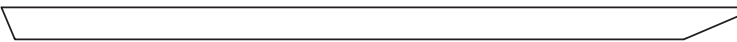
(1) **410** - Swing Top 1 1/4 x 3 x 46-3/4" - 3599113



(1) **071** - 1-1/4 x 3 x 63-1/4" - Long Floor Joist - 3599056



(1) **024** - 1-3/8 x 2-1/2 x 57-7/8" - Rock Rail - 3599058



(1) **020** - 1-3/8 x 2-1/2 x 57-7/8" - Left Access - 3599054



(1) **021** - 1-3/8 x 2-1/2 x 57-7/8" - Right Access - 3599055

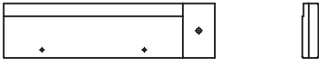


Part Identification (Reduced Size)

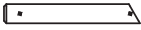
(2) **450** - Mid Roof End 1¼ x 4 x 6" - 3599119



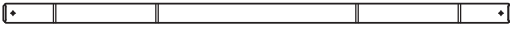
(2) **402** - Left Upright 1¼ x 4¼ x 16½" - 3599107



(2) **136** - Bell Support 1½ x 1½ x 10-5/8" - 3609100



(1) **130** - 2 x 2 x 39-5/8" - Table Support - 3592612



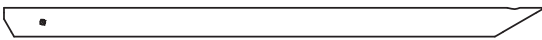
(2) **420** - Wall Support 1½ x 1½ x 55½" - 3599118



(2) **061** - 2 x 2 x 63" Side Joist - 3599064



(1) **093** - 2 x 3 x 42¼" - Diagonal - 3598587



(2) **211** - 2 x 4 x 12-1/2" - Short Crowsnest Joist - 3599063



(2) **191** - 2 x 4 x 13-1/2" - Crowsnest Joist - 3599041



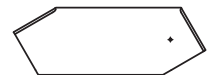
(1) **200** - 2 x 4 x 29-1/2" - Crowsnest Top - 3599044



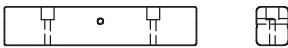
(1) **202** - 2 x 4 x 29-1/2" - Crowsnest Front - 3599039



(2) **190** - 2 x 6 x 15" Crowsnest Gusset - 3598112



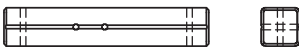
(1) **151** - 2-1/2 x 3 x 15" - Block SW - 3598507



(1) **150** - 2-1/2 x 3 x 15" - SW Block Angle - 3599068



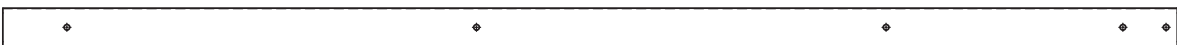
(1) **141** - 4 x 4 x 16" - SW Mount- 3599069



(1) **160** - 2-1/2 x 3 x 51" - Support Cross - 3599067



(2) **152** - 4 x 4 x 92" - SW Post - 3599070



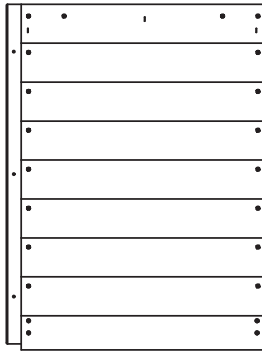
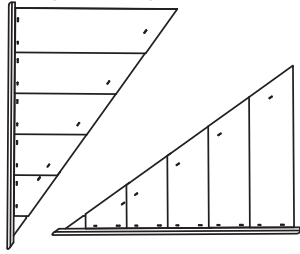
(1) **140** - 4 x 6 x 92" - Engineered SW Beam - 3599049



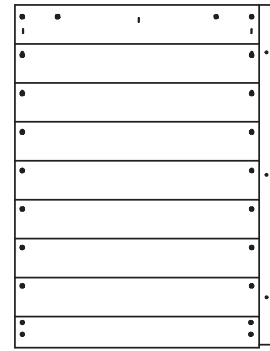
Part Identification (Reduced Size)

1x - Dormer Roof Set

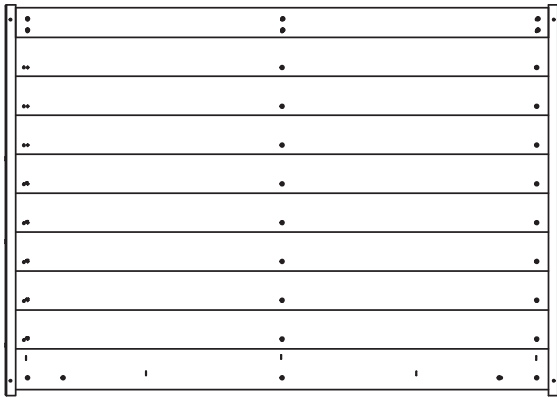
370 Right - **371** Left Dormer
(3598068)



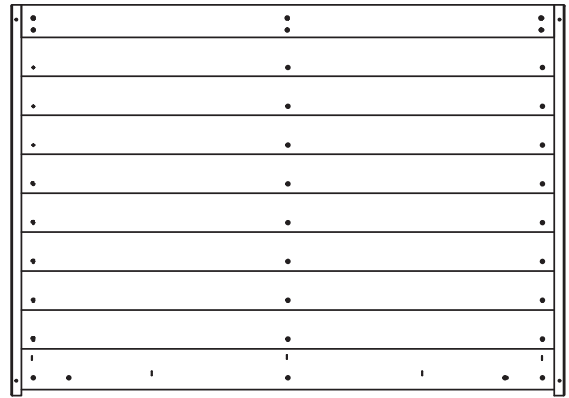
(1) **391**
Front Small Roof 1-1/4 x 29 3/16 x 21-7/8"
- 37599098



(1) **392**
Back Small Roof 1-1/4 x 28-15/16 x 21-7/8"
- 37599091

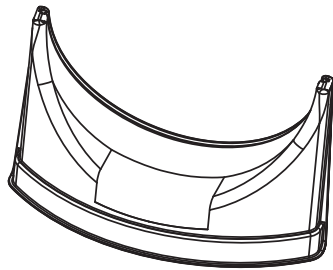


(1) **351** **Back Roof Panel** 1-1/4 x 32 1/4 x 45"
- 37599124

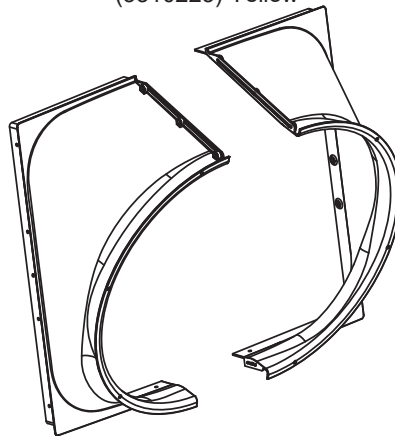


(1) **350** **Front Roof Panel** 1-1/4 x 32 1/2 x 45"
- 37599082

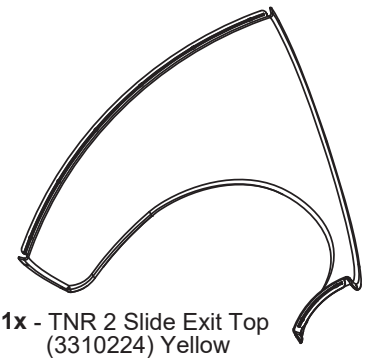
1x - TNR 2 Slide Rt Flange
(3310223) Yellow



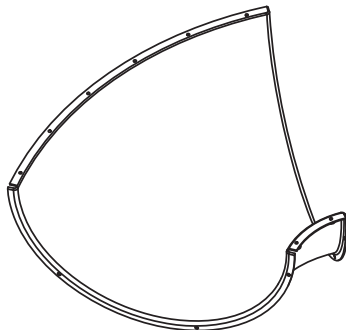
1x - TNR3 Short Exit
(3310232) Yellow



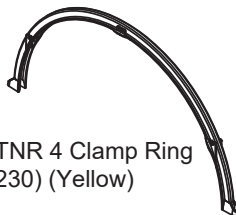
1x - TNR 2 Slide Lt Flange
(3310222) Yellow



1x - TNR 2 Slide Exit Top
(3310224) Yellow

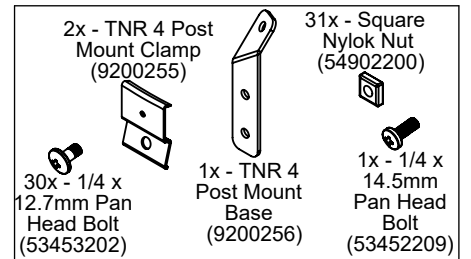


9x - TNR 2 Slide Elbow
(3310221) Yellow

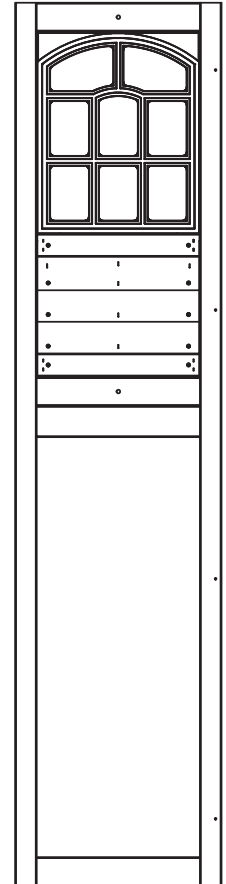
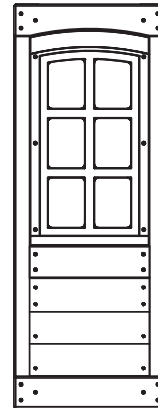
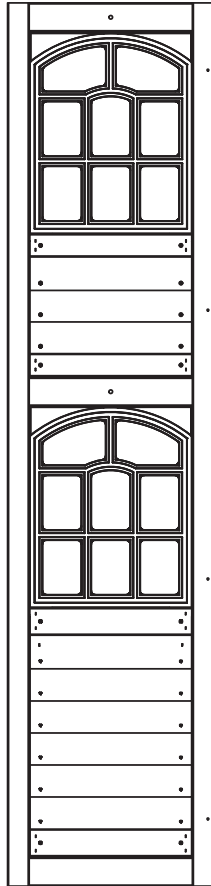
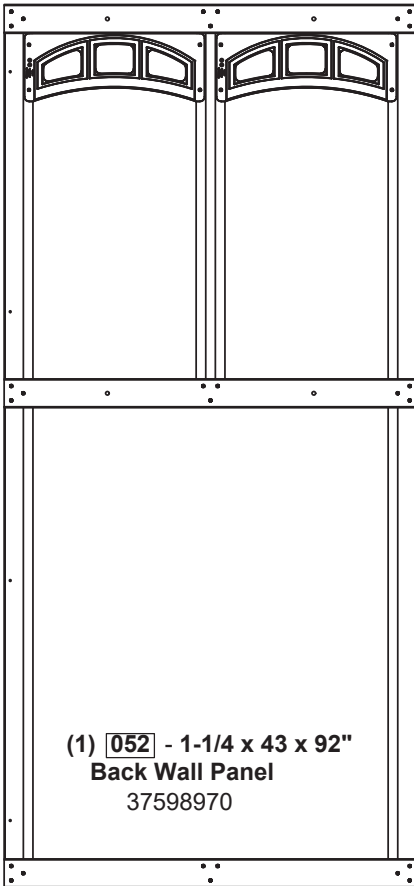
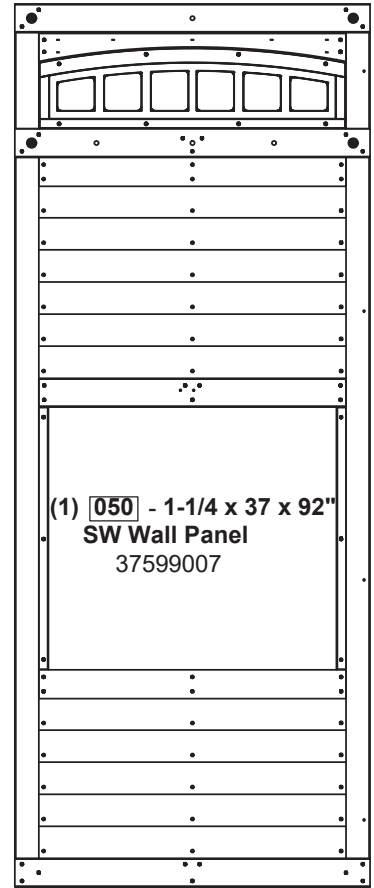
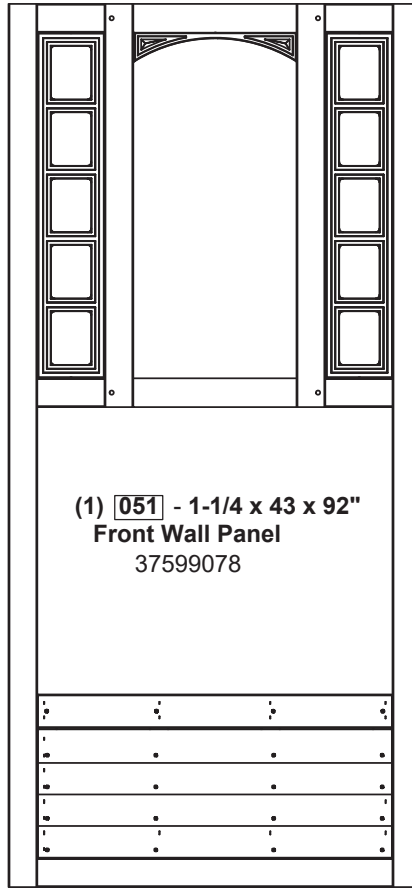
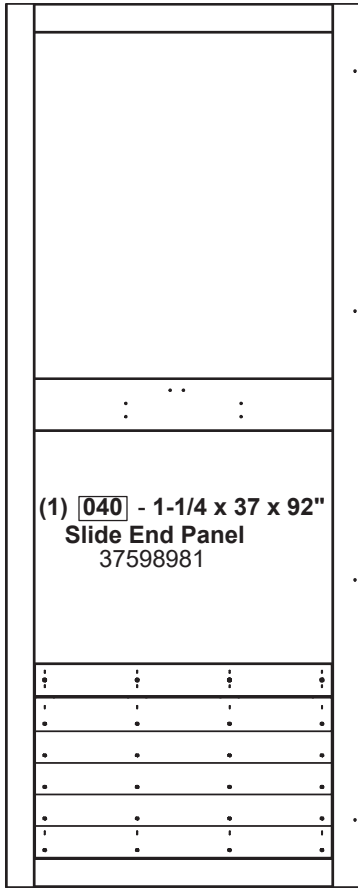


10x - TNR 4 Clamp Ring
(9300230) (Yellow)

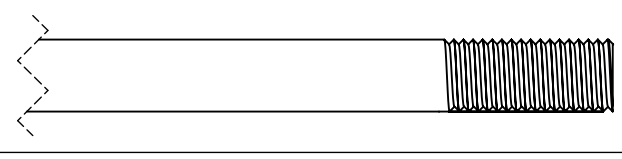
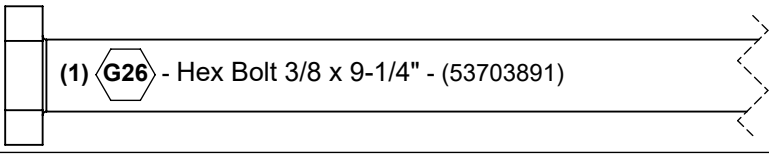
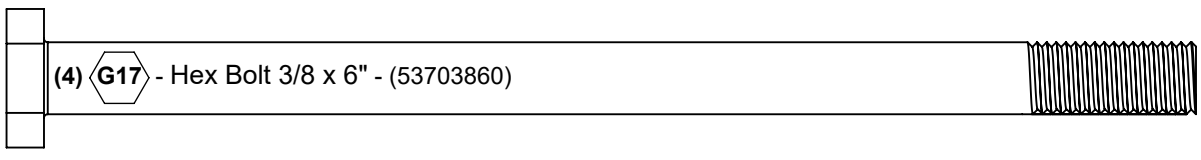
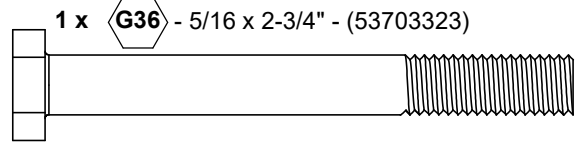
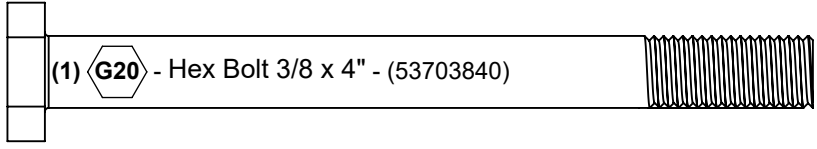
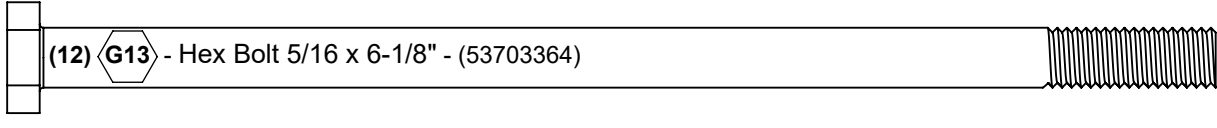
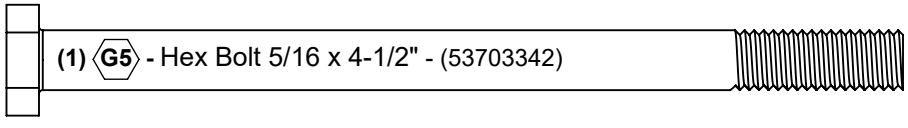
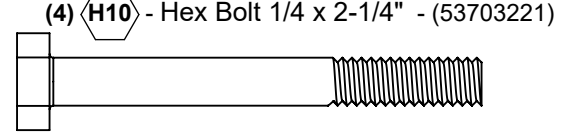
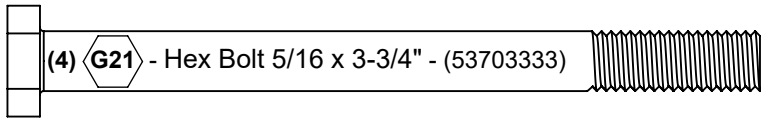
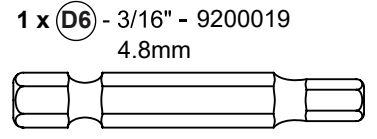
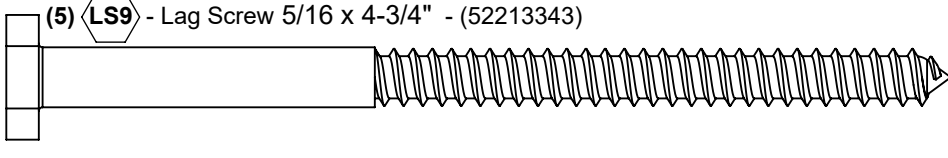
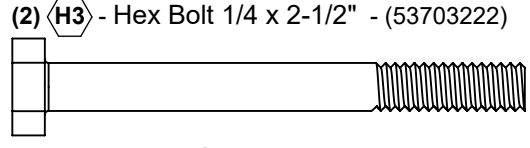
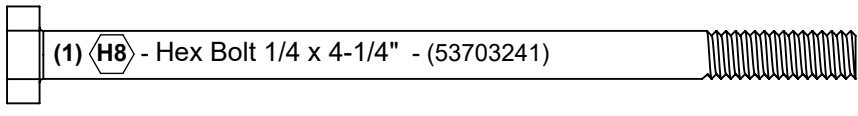
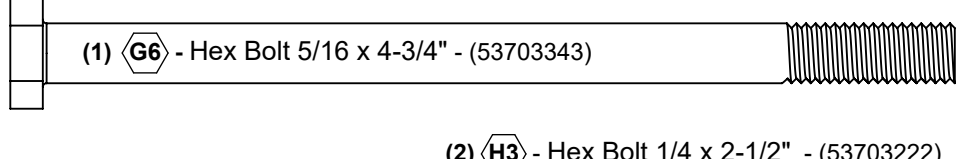
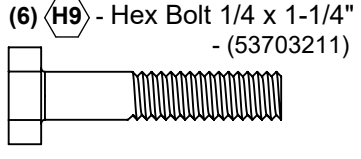
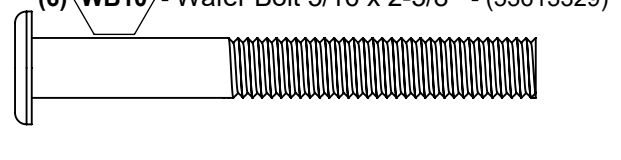
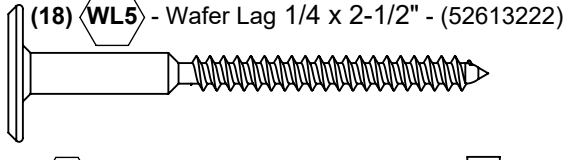
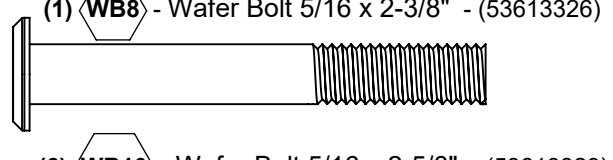
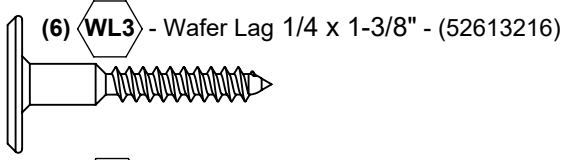
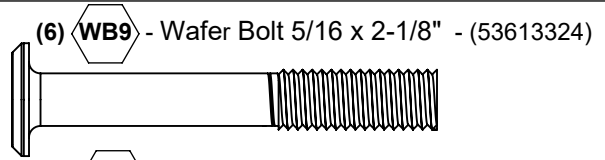
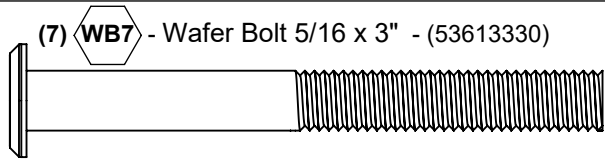
1x - TNR 4 Post Mount Kit (3200255)



Part Identification (Reduced Size)

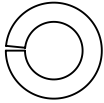


Hardware Identification (Actual Size)



Hardware Identification (Actual Size)

(1) **LW2** - 5/16" Lock Washer - (51303300)



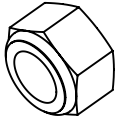
(23) **LW1** - 1/4" Lock Washer - (51303200)



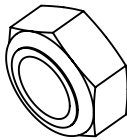
(59) **LN1** - 1/4 Lock Nut - (54303200)



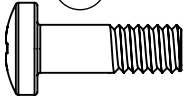
(18) **LN2** - 5/16" Lock Nut - (54303300)



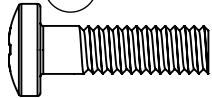
(6) **LN3** - 3/8 Lock Nut - (54303800)



(49) **PB1** - Pan Bolt 1/4 x 3/4" - (53453203)



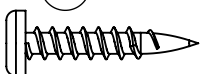
(11) **PB6** - Pan Bolt 1/4 x 1" - (53413210)



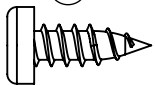
(29) **S37** - Pan Screw #7 x 5/8" - (52433009)



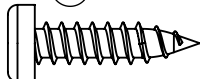
(9) **S10** - Pan Screw #8 x 1" - (52433510)



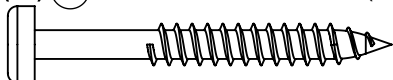
(40) **S8** - Pan Screw #12 x 3/4" - (52433603)



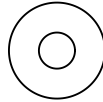
(17) **S6** - Pan Screw #12 x 1" - (52433610)



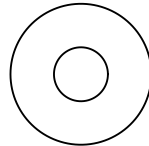
(27) **S7** - Pan Screw #12 x 2" - (52433620)



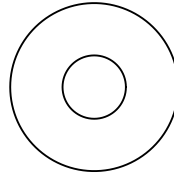
(9) **FW0** - 3/16" Flat Washer - (51103100)



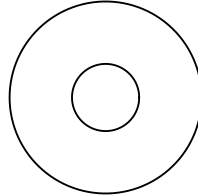
(21) **FW1** - 1/4" Flat Washer - (51103200)



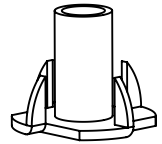
(67) **FW2** - 5/16" Flat Washer - (51103300)



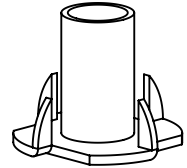
(12) **FW10** - 3/8" Flat Washer - (51103800)



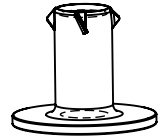
(14) **TN1** - 1/4" T - Nut - (54503200)



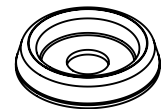
(21) **TN2** - 5/16" T - Nut - (54503300)



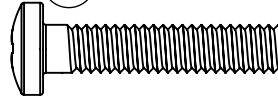
(9) **BN1** - 1/4" Barrel Nut - (54803200)



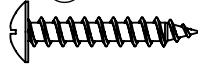
(8) **FW6** - #12 Screw Bezel - (9299500)



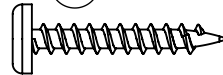
(10) **PB2** - Pan Bolt 1/4 x 1-1/4" - (53433212)



(88) **S0** - Truss Screw #8 x 7/8" - (52933505)



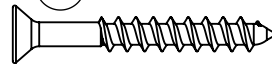
(8) **S38** - Pan Screw #7 x 5/8" - (52433014)



(16) **S1** - Wood Screw #8 x 1-1/8" - (52043514)



(187) **S20** - Wood Screw #8 x 1-3/8" - (52043516)



(105) **S11** - Wood Screw #8 x 2" - (52043520)



(84) **S3** - Wood Screw #8 x 2-1/2" - (52043522)



(26) **S4** - Wood Screw #8 x 3" - (52043530)



Part Identification (Reduced Part Size)

1x - EN71 Hand Rail (3200224) -Yellow

1x - Telescope w/ Mount (3320161)

1x - Kidkraft Plaque (3320353)

1x - TNR3 Tube Support (9200258)

2x - Steel Hand Grip (9200211) -Yellow

1x - Kidkraft ID Plaque (9320374)

1x - Plastic Formed Washer (18 Pk) (3290000)

1x - Rocks (9pk) (3320093) Green/Yellow/Burgundy

6x - Rebar Ground Stake (9290318)

1x - Steering Wheel (3320255)

4x - MOD 5 Pane Window (9330102)

1x - Quadrex Driver (9200015)

2x - Swing Belt Seat (9320130) Green

1x - #2 x 2" Robertson Driver (9200014)

4x - MOD 3 Pane Gable (9330104)

2x - Deluxe Flying Flag (3330317)

1x - Maze N Wave 2.35m Slide (3318215) Yellow

1x - Bell with Horseshoe (3200307)

2x - Deluxe Pole (3330329)

2x - Acro Handle (9320131) Green

1x - Acro Bar (9200131) Green

6x - DX Swing Hangers (9201950)

2x - Utensil Shelf 9320791

1x - BBQ Utensils 3330810

1x - BBQ Sink Set 3330908

1x - Basket with Fruit 3330013

1x - BBQ Lid 9330718

1x - BBQ Base 33308011

1x - Sign 9330714

1x - BBQ Cooktop 3330909

2x 9201712 Door Hinge -Green

1x 9207713 Door Catch -Brown

2x 9201711 Door Handle -Green

3x - Heavy L-Bracket (9200151)

1x - Heavy C-Bracket (9200153)

2x - Heavy Flat Bracket (9200149)

4x - Flat Panel Bracket (92005933)

2x - Flat Bracket (9205960)

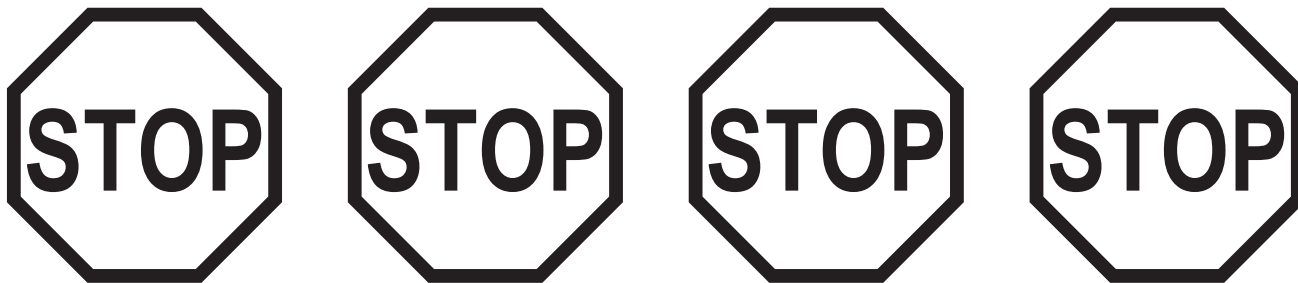
6x - Narrow Angle Bracket (9325932)

5x - Corner Bracket (9205970)

2 x 9502020 Acro Rope EN71

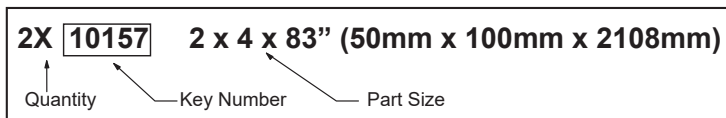
4 x 9502045 Swing Rope w/ Crimps

Step 1: Inventory Parts - Read This Before Starting Assembly



Inventory should be completed before starting installation. KidKraft will not cover costs of any additional installation trip due to missing or damaged pieces.

- A. This is the time for you to inventory all your hardware, wood and accessories, referencing the parts identification sheets. This will assist you with your assembly.
- The wood pieces will have the key number stamped on the ends of the boards. Organize the wood pieces by step, as per the key numbering system below.



- B. Read the assembly manual completely, paying special attention to ANSI warnings; notes; and safety/maintenance information on pages 1 - 8.

**If there are missing or damaged pieces,
please contact the KidKraft Consumer Engagement team
before going back to the retailer.**

Order Replacement Parts 24/7

You can order replacement parts for this product 24 hours a day / 7 days a week:

Outdoor Swingsets and Playhouse Parts Ordering

<https://parts.kidkraft.com/partsorderemail>

If you have assembly or product questions, please refer to the front cover for direct contact information for our Consumer Engagement team OR you can also use this QR code with your smartphone for common questions and contact information.



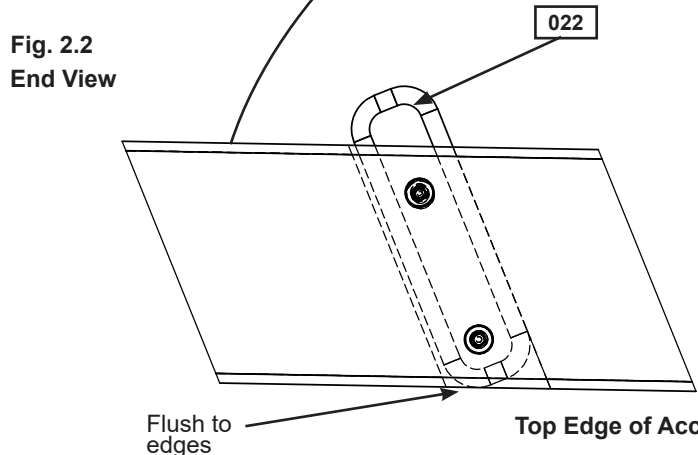
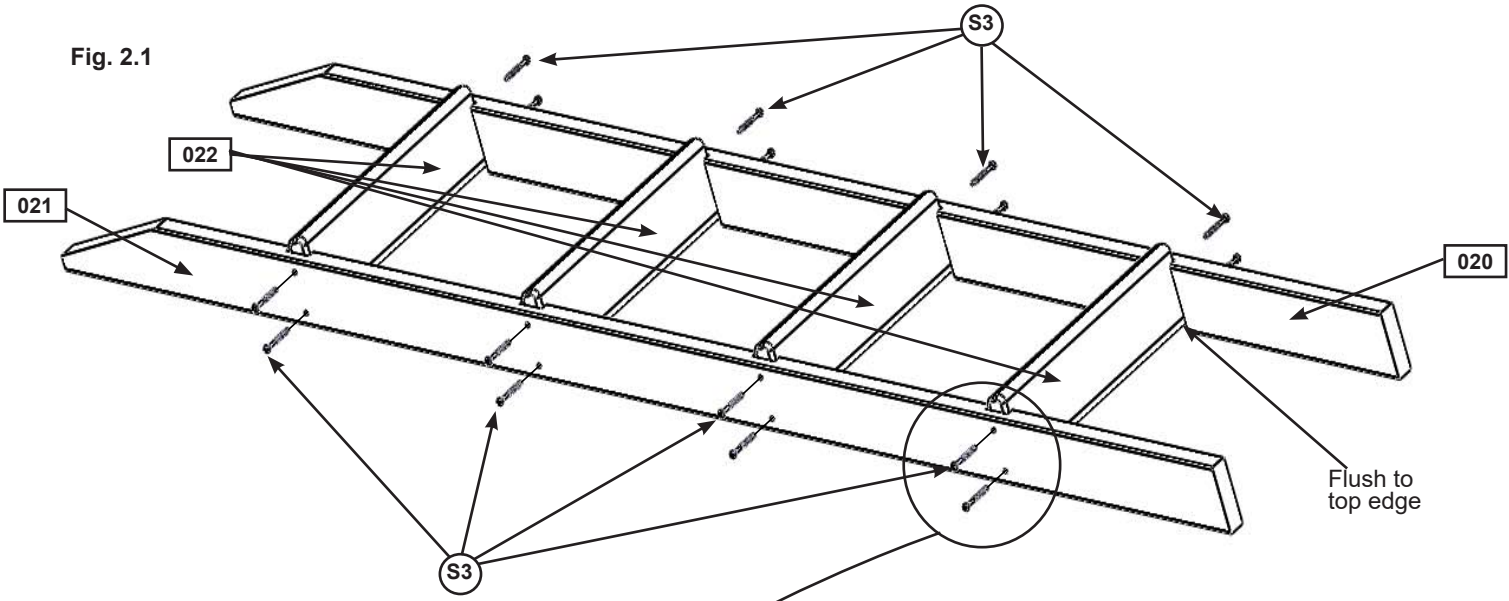
KidKraft Help Center <https://kidkraft.zendesk.com/hc/en-us/>

Step 2: Access Ladder / Rockwall Assembly

Part 1



- A:** Place (020) Left Access on one side of 4 (022) Treads and (021) Right Access on the other side with the grooves facing in. (fig. 2.1)
- B:** Fit each (022) Tread into grooves on both (020) and (021) Access rails, make sure the top edge of the (022) Treads are flush to the front of the Access rails. (fig. 2.1 and 2.2)
- C:** Pre-drill pilot holes with a 1/8" drill bit and attach rails and treads together using 4 (S3) #8 x 2-1/2" Wood Screws per tread. (fig. 2.1)



Wood Parts

- 1 x 020 Left Access 1-3/8 x 2-1/2 x 57-7/8"
- 1 x 021 Right Access 1-3/8 x 2-1/2 x 57-7/8"
- 4 x 022 Tread 5/4 x 4 x 19-1/2"

Hardware

- 16 x S3 #8 x 2-1/2" Wood Screw

Step 2: Access Ladder / Rockwall Assembly

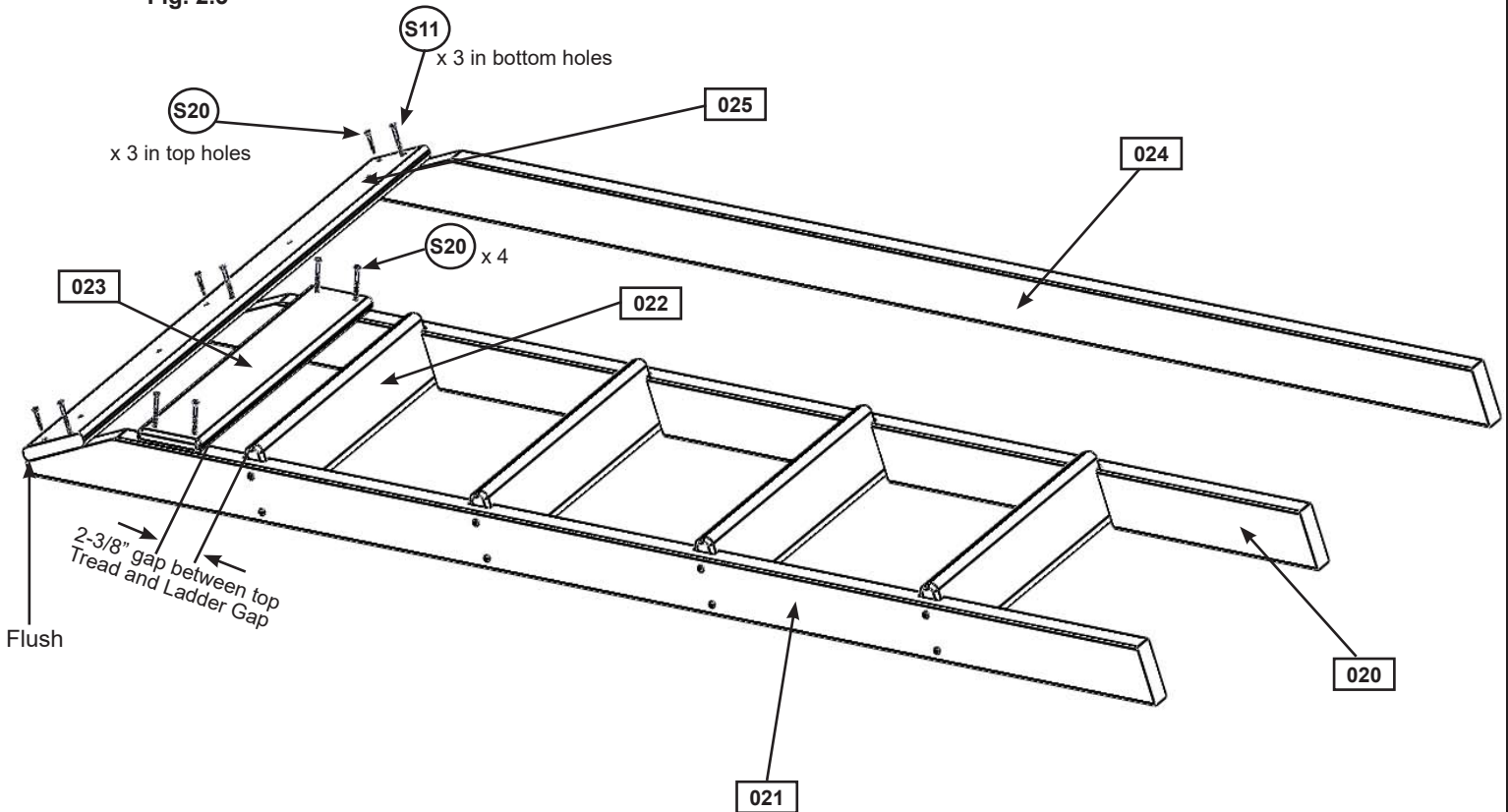
Part 2



D: Place (023) Ladder Gap on each access rail so there is a 2-3/8" gap between (023) Ladder Gap and the top (022) Tread. Attach using 4 (S20) #8 x 1-3/8" Wood Screws. (fig. 2.3)

E: Place (024) Rock Rail on the ground next to (020) Left Access so it matches the orientation of the two access rails as shown in fig. 2.3. Attach (025) RW-AL Support flush to the top of Access Ladder assembly and (024) Rock Rail using 3 (S20) #8 x 1-3/8" Wood Screws in the top holes and 3 (S11) #8 x 2" Wood Screws in the bottom holes. Pilot holes in (025) RW-AL Support should be centred over the rails. (fig. 2.3)

Fig. 2.3



Wood Parts

- 1 x 023 Ladder Gap 1 x 4 x 21"
- 1 x 024 Rock Rail 1-3/8 x 2-1/2 x 57-7/8"
- 1 x 025 RW-AL Support 1 x 4 x 41-3/4"

Hardware

- 3 x S11 #8 x 2" Wood Screw
- 7 x S20 #8 x 1-3/8" Wood Screw

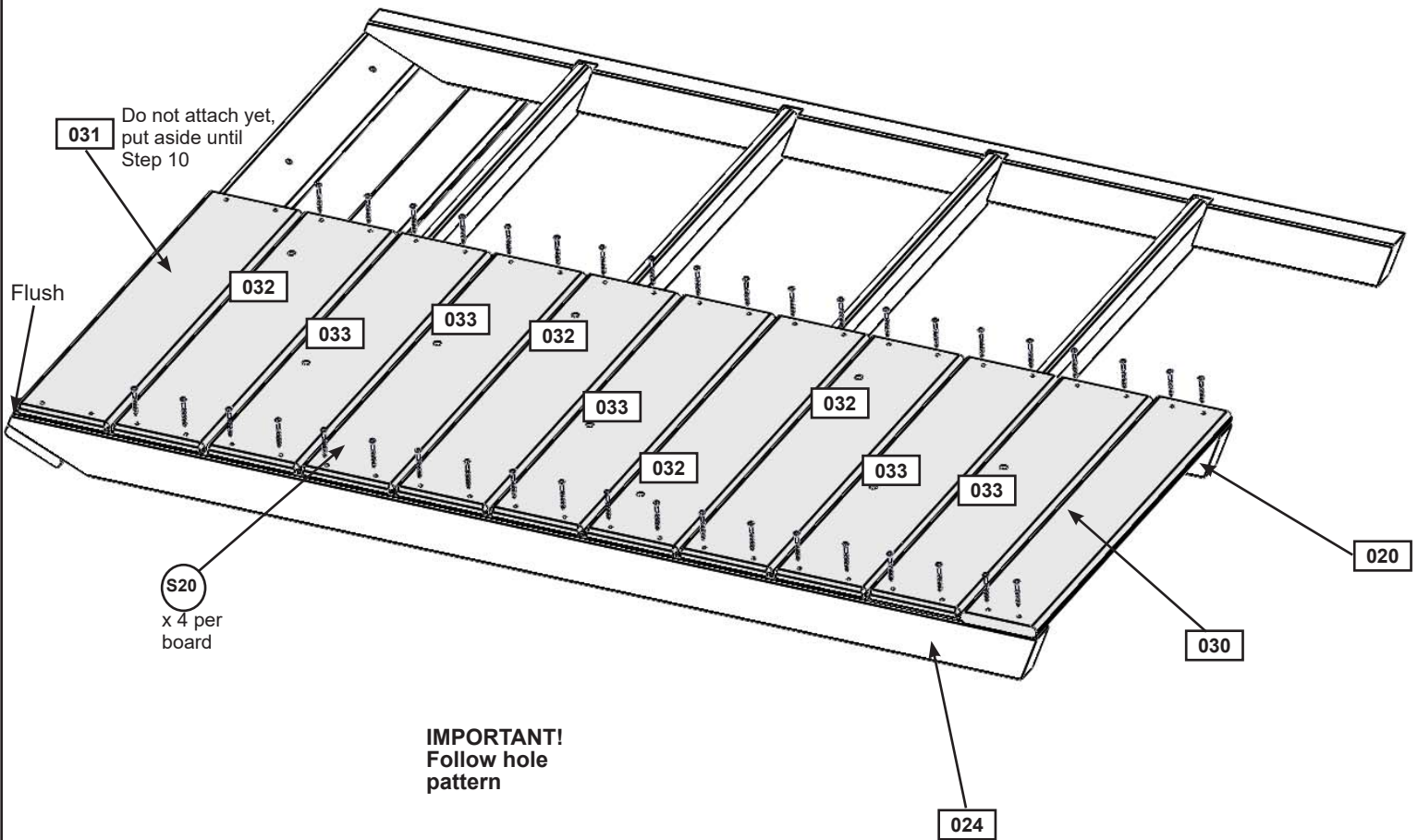
Step 3: Rockwall Assembly Part 1



A: Place (031) Access Board flush to the top of the Access Ladder/Rockwall Assembly and (030) Access Rock Bottom at the bottom of the assembly as shown in fig. 3.1. Then place (032) Board Rock A and (033) Board Rock B as shown in fig. 3.1. Do not screw boards down yet. Rock holes are to be staggered so they do not form a straight line and are at the top of the boards. **Note: Rock Boards are to be flush to (020) Left Access and pilot holes are centred over (024) Rock Rail. (fig. 3.1)**

B: Make sure all boards are tight together and the assembly is square, then attach all boards except for (031) Access Board using 4 (S20) #8 x 1-3/8" Wood Screws per board. (031) Access Board to be attached in Step 10, Part 2, keep aside until needed. (fig. 3.1)

Fig. 3.1



Wood Parts

- 1 x 030 Access Rock Bottom 1 x 6 x 22-1/8"
- 1 x 031 Access Board 1 x 5 x 22-1/8"
- 4 x 032 Board Rock A 1 x 6 x 22-1/8"
- 5 x 033 Board Rock B 1 x 6 x 22-1/8"

Hardware

- 40 x S20 #8 x 1-3/8" Wood Screw

Step 3: Rockwall Assembly Part 2

C: Alternating colours and shapes, attach 1 rock to each rock board using 1 (PB2) 1/4 x 1-1/4" Pan Bolt (with lock washer, flat washer and barrel nut) and 1 (S10) #8 x 1" Pan Screw per rock. (fig. 3.2 and 3.3)

The Pan Screw is placed in the hole beneath the Pan Bolt. (fig. 3.2 and 3.3)

Note: Make sure all hardware is used to secure each rock properly.

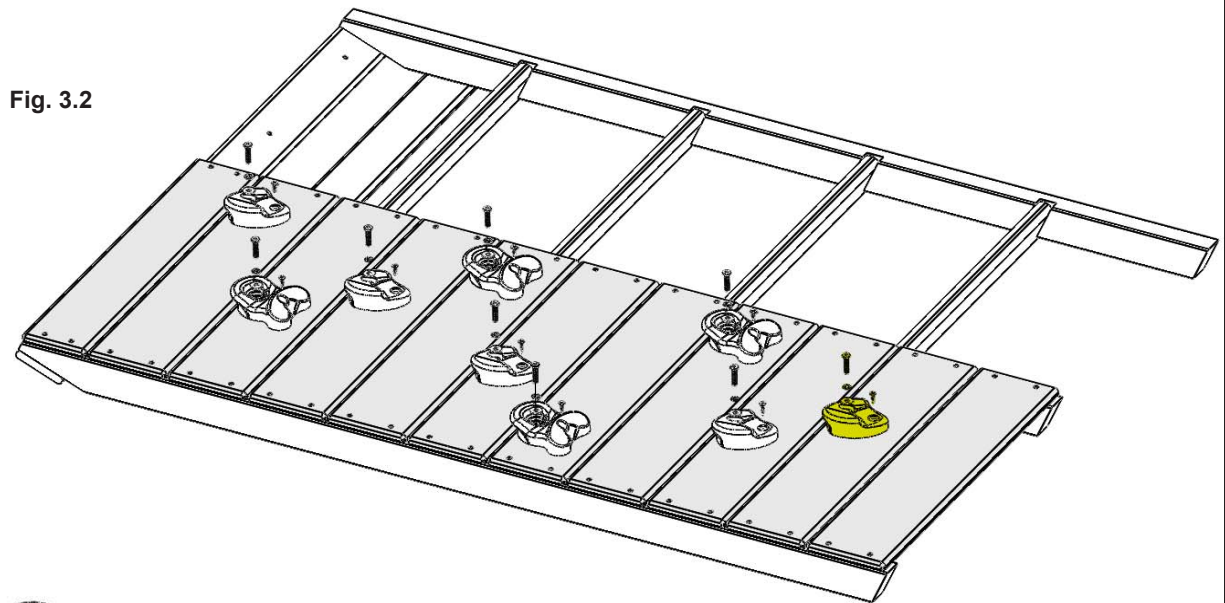


Fig. 3.2

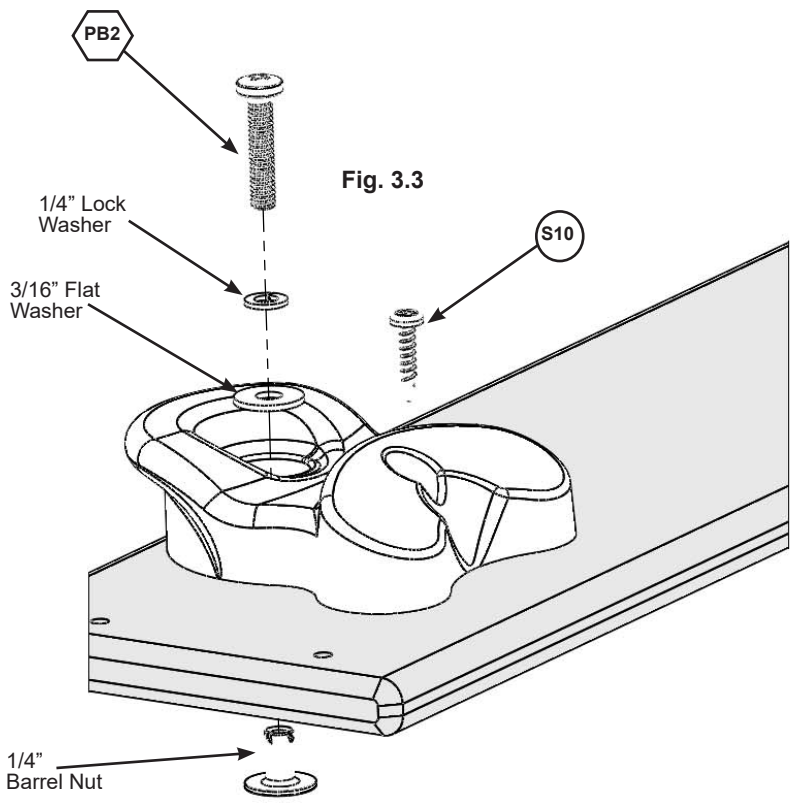



Fig. 3.3

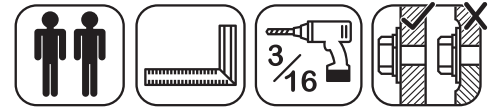
Hardware

- 9 x  1/4 x 1-1/4 Pan Bolt
(1/4" lock washer, 3/16" flat washer & 1/4" barrel nut)
- 9 x  #8 x 1" Pan Screw

Other Parts

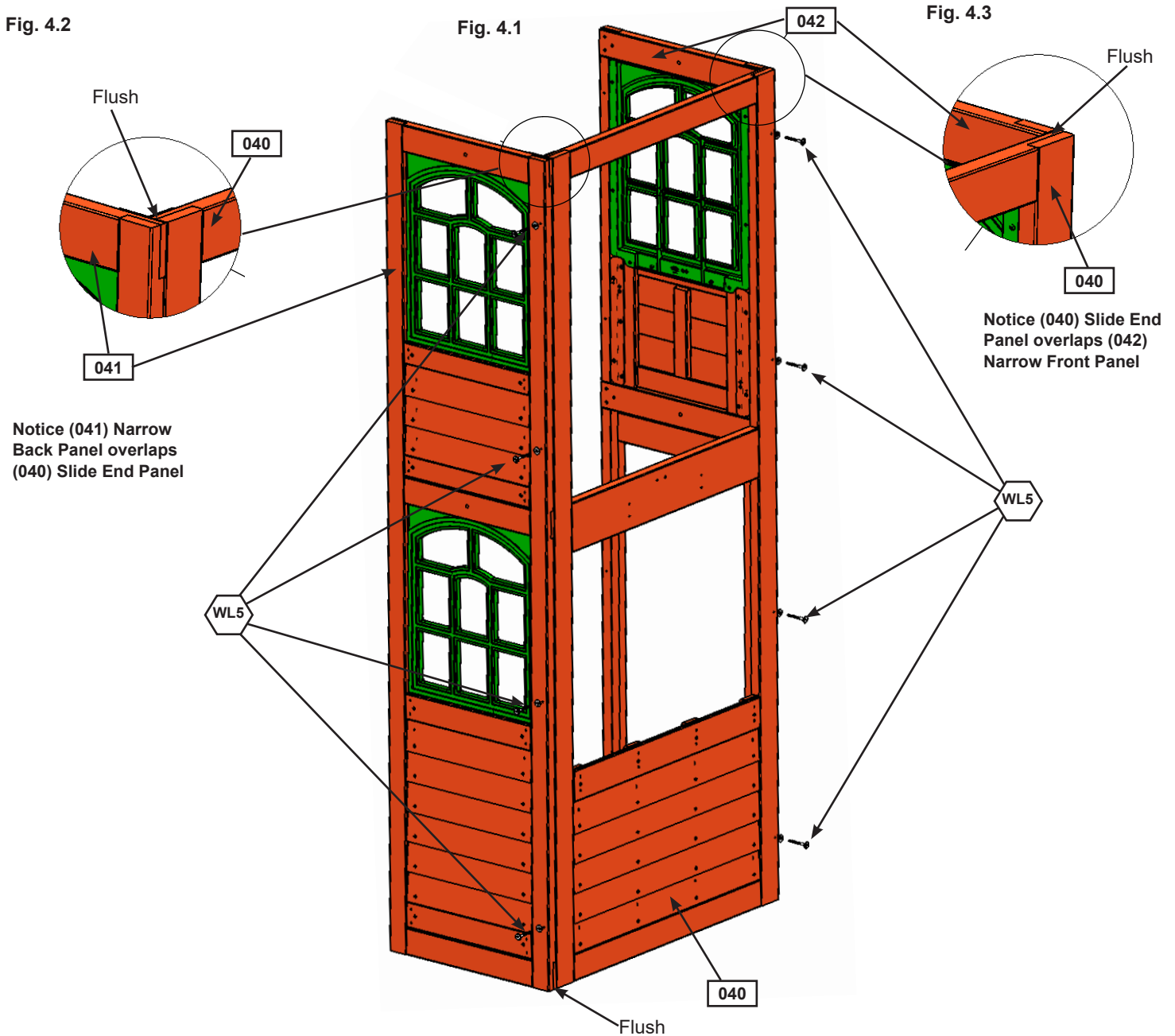
- 9 x Rocks (green/yellow/burgundy)

Step 4: Slide Wall Assembly



A: Place (041) Narrow Back Panel against the left side of (040) Slide End Panel noticing panel orientation. The tops and bottoms of the panels should be flush and panels square. Pre-drill with a 3/16" drill bit, then fasten (041) Narrow Back Panel to (040) Slide End Panel with 4 (WL5) 1/4 x 2-1/2" Wafer Lags. (fig. 4.1 and 4.2)

B: Place (042) Narrow Front Panel against the right side of (040) Slide End Panel noticing panel orientation. The tops and bottoms of the panels should be flush and panels square. Pre-drill with a 3/16" drill bit, then fasten (040) Slide End Panel to (042) Narrow Front Panel with 4 (WL5) 1/4 x 2-1/2" Wafer Lags. (fig. 4.1 and 4.3)



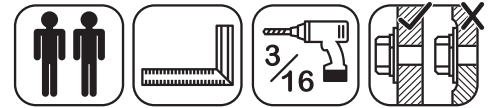
Wood Parts

- 1 x 040 Slide End Panel 1-1/4 x 37 x 92"
- 1 x 041 Narrow Back Panel 1-1/4 x 21-1/2 x 92"
- 1 x 042 Narrow Front Panel 1-1/4 x 21-1/2 x 92"

Hardware

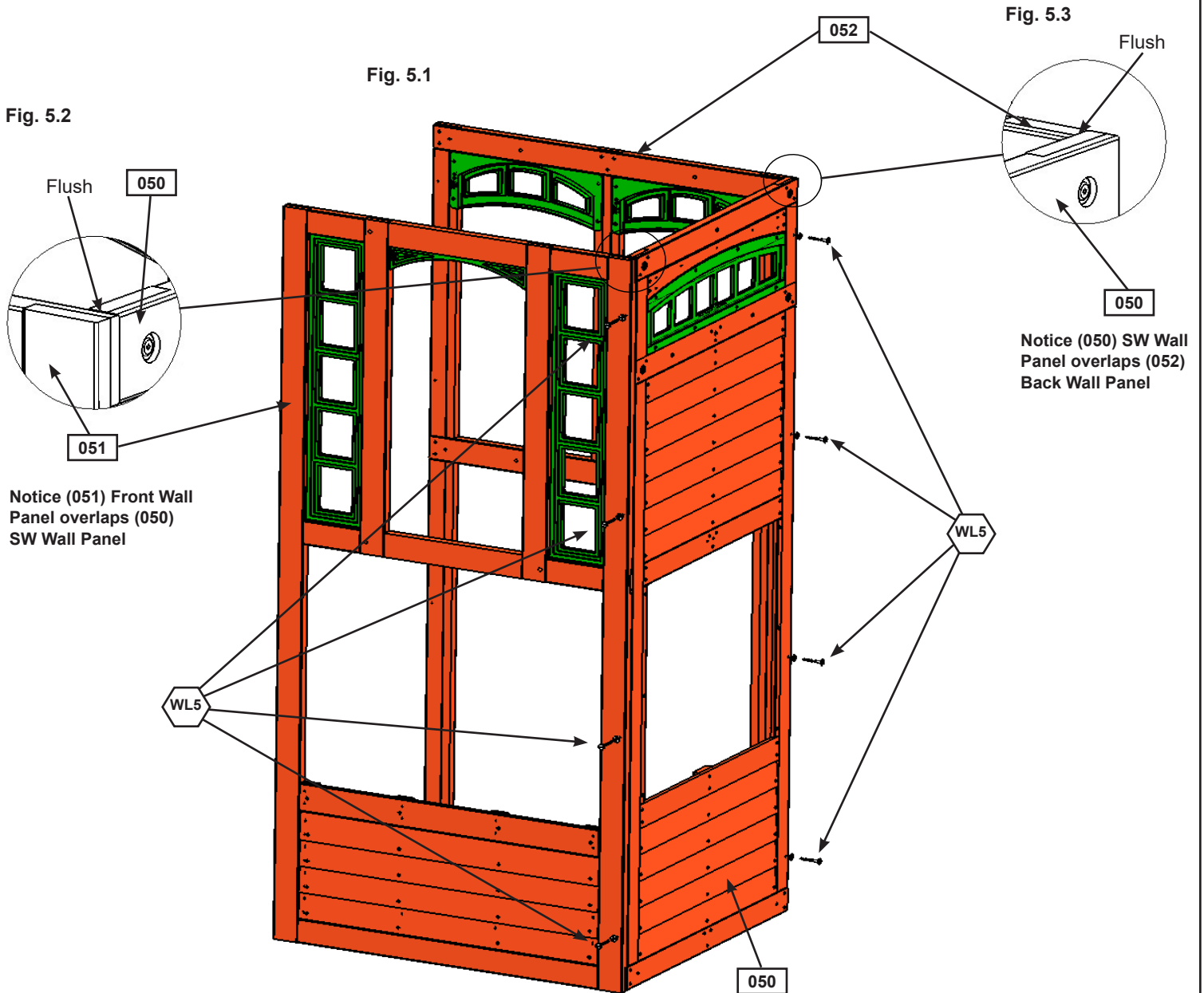
- 8 x WL5 1/4 x 2-1/2" Wafer Lag

Step 5: Swing Wall Assembly



A: Place (051) Front Wall Panel against the left side of (050) SW Wall Panel noticing panel orientation. The tops and bottoms of the panels should be flush and panels square. Pre-drill with a 3/16" drill bit, then fasten (051) Front Wall Panel to (050) SW Wall Panel with 4 (WL5) 1/4 x 2-1/2" Wafer Lags. (fig. 5.1 and 5.2)

B: Place (052) Back Wall Panel against the right side of (050) SW Wall Panel noticing panel orientation. The tops and bottoms of the panels should be flush and panels square. Pre-drill with a 3/16" drill bit, then fasten (050) SW Wall Panel to (052) Back Wall Panel with 4 (WL5) 1/4 x 2-1/2" Wafer Lags. (fig. 5.1 and 5.3)



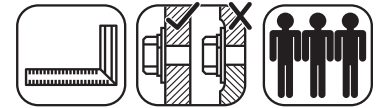
Wood Parts

- 1 x 050 SW Wall Panel 1-1/4 x 37 x 92"
- 1 x 051 Front Wall Panel 1-1/4 x 43 x 92"
- 1 x 052 Back Wall Panel 1-1/4 x 43 x 92"

Hardware

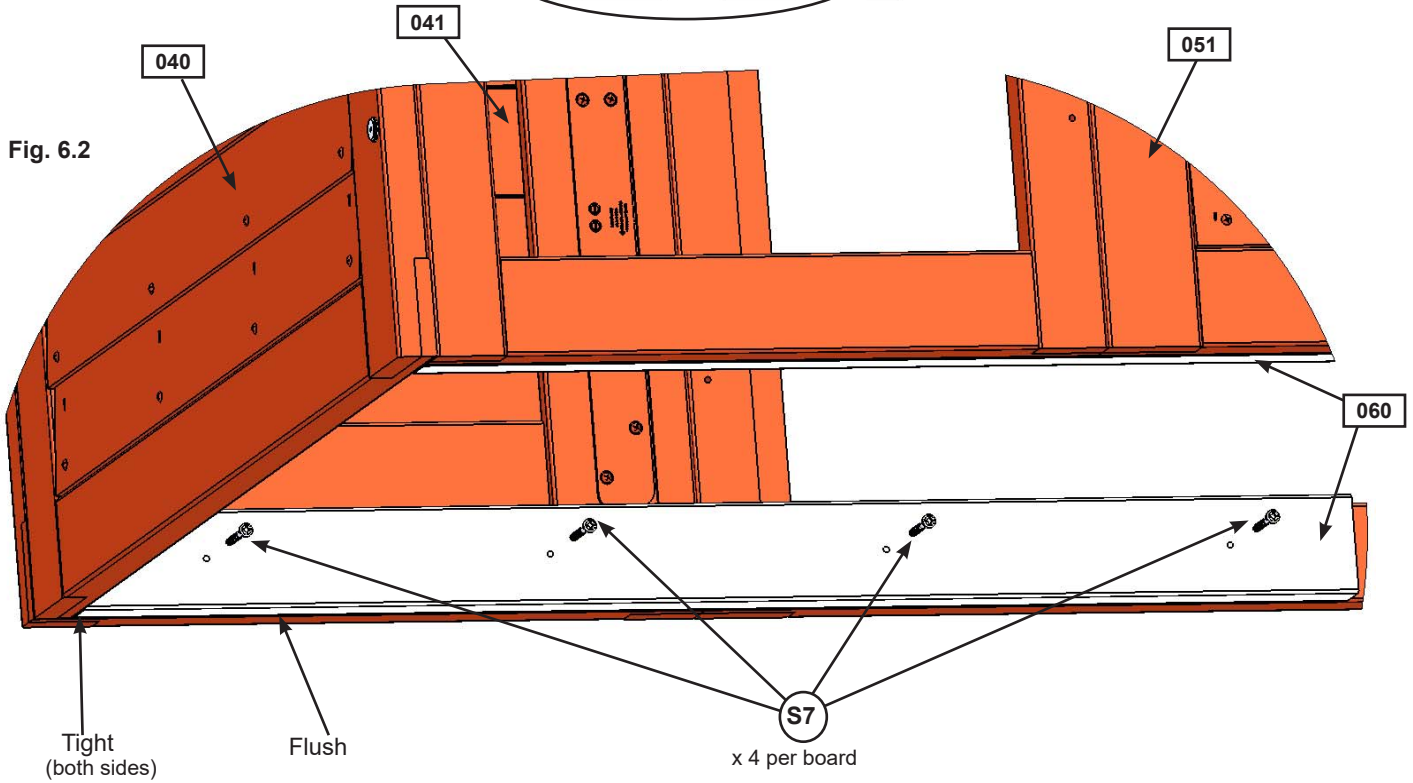
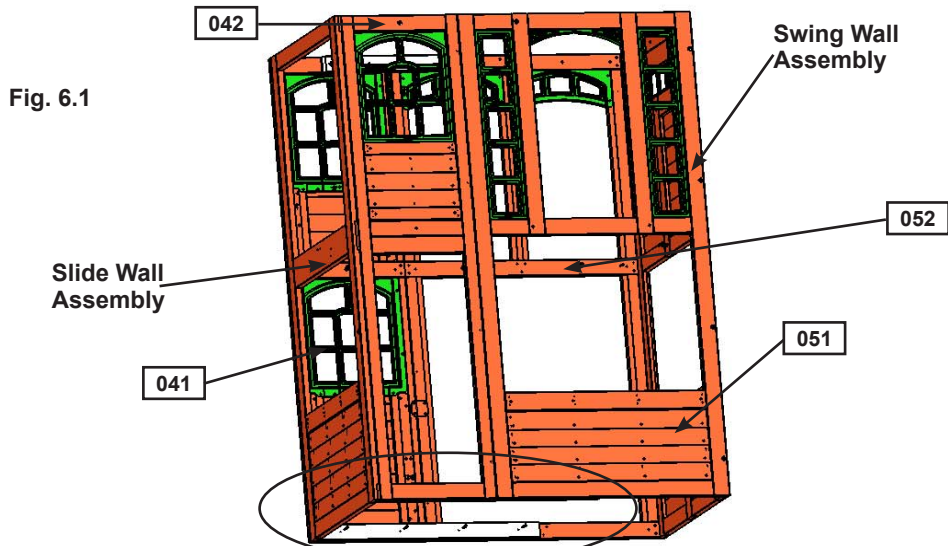
- 8 x WL5 1/4 x 2-1/2" Wafer Lag

Step 6: Join Swing and Slide Wall Assemblies Part 1



A: With at least two helpers lift the Slide Wall Assembly and Swing Wall Assembly so the (041) Narrow Back Panel and (042) Narrow Front Panel meet with (052) Back Wall Panel and (051) Front Wall Panel and are tight together as shown in fig. 6.1.

B: Make sure the assembly is square then on the inside of the assembly, tight to (040) Slide End Panel and flush to the bottom of the panels attach 1 (060) Floor Joist to (041) Narrow Back Panel and (052) Back Wall Panel and a second (060) Floor Joist to (042) Narrow Front Panel and (051) Front Wall Panel with 4 (S7) #12 x 2" Pan Screws per board. (fig. 6.1 and 6.2)



Wood Parts

2 x 060 Floor Joist 1-1/4 x 3 x 40-3/4"

Hardware

8 x S7 #12 x 2" Pan Screw

Step 6: Join Swing and Slide Wall Assemblies Part 2



C: From inside the assembly, tight to both (040) Slide End Wall and (050) SW Wall Panel, halfway up the assembly, 5/8" below the panel, loosely attach 1 (061) Side Joist to (041) Narrow Back Panel and (052) Back Wall Panel with 3 (WB10) 5/16 x 2-5/8" Wafer Bolts (with flat washer and t-nut). Bolts are installed from inside the assembly. Make sure (061) Side Joist is level then attach with 2 (S3) #8 x 2-1/2" Wood Screws and tighten bolts. (fig. 6.3, 6.4 and 6.5)

D: Repeat Step C to attach 1 (061) Side Joist to (042) Narrow Front Panel and (051) Front Wall Panel. (fig. 6.3, 6.4 and 6.5)

Fig. 6.3

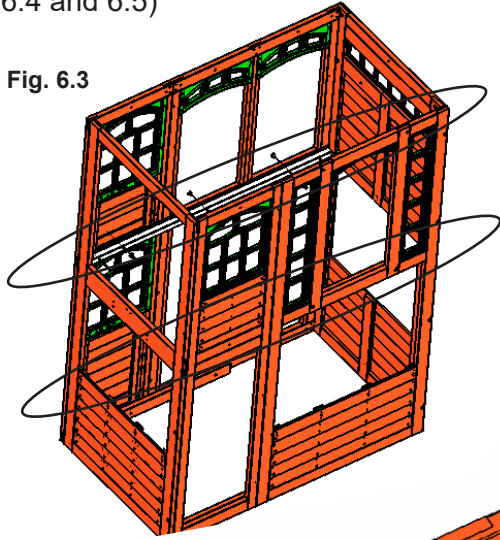


Fig. 6.4
Inside View

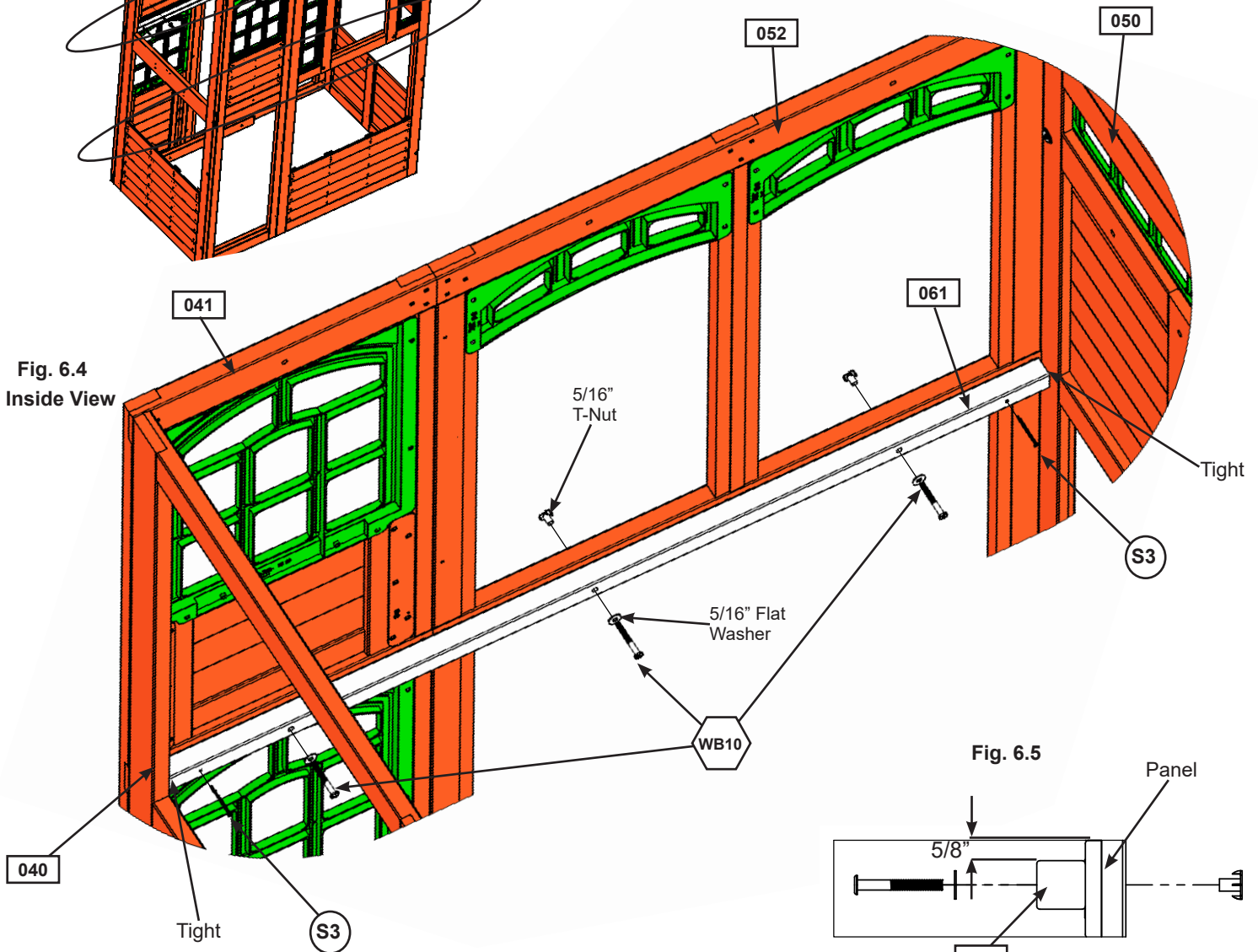
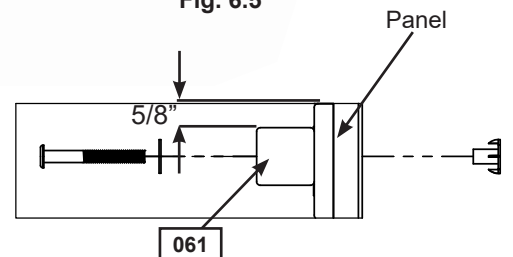


Fig. 6.5



Wood Parts

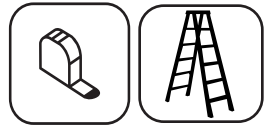
2 x 061 Side Joist 2 x 2 x 63"

Hardware

4 x S3 #8 x 2-1/2" Wood Screw

6 x WB10 5/16 x 2-5/8" Wafer Bolt
(5/16" flat washer, 5/16" t-nut)

Step 6: Join Swing and Slide Wall Assemblies Part 3



E: From inside the assembly, place 1 (062) Tie centred between (041) Narrow Back Panel and (052) Back Wall Panel so it is flush to the tops of the panels and the angled ends face out then attach with 2 (H10) 1/4 x 2-1/4" Hex Bolts (with lock washer, flat washer and t-nut) and 2 (S11) #8 x 2" Wood Screws. (fig. 6.6 and 6.7)

F: Repeat Step E to attach 1 (062) Tie to (042) Narrow Front Panel and (051) Front Wall Panel. (fig. 6.6 and 6.7)

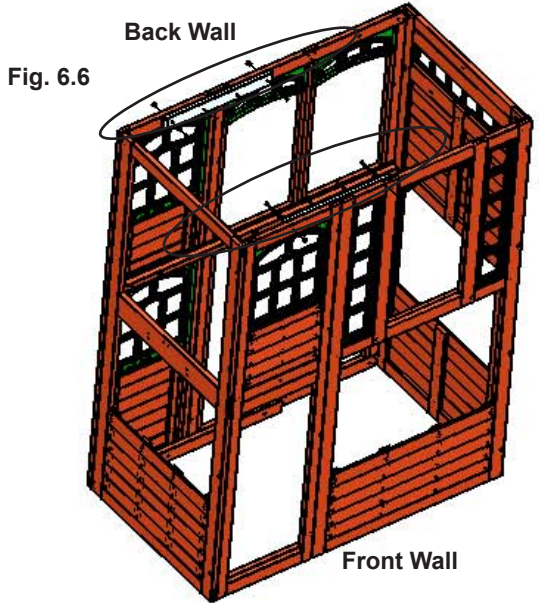


Fig. 6.6

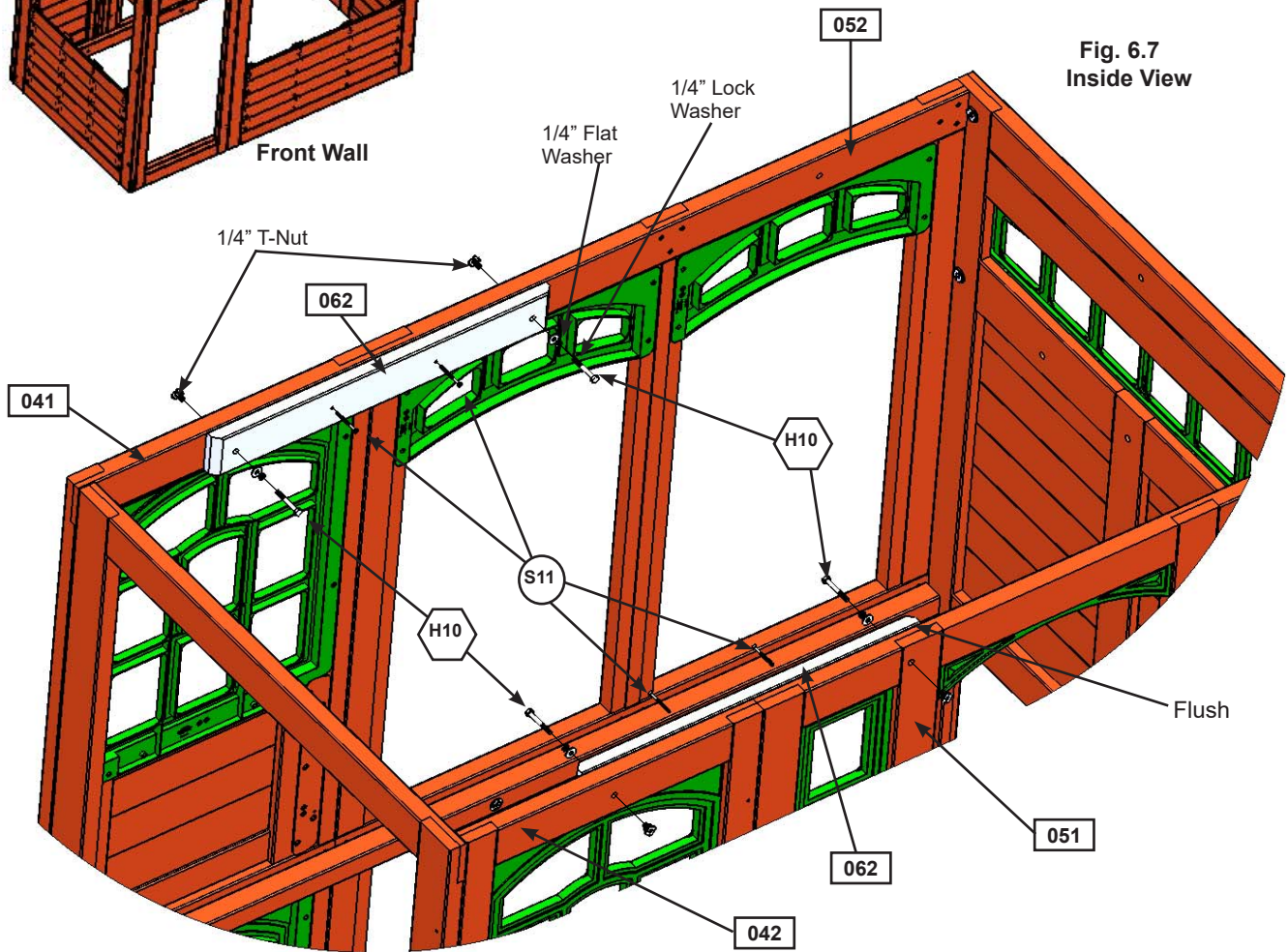


Fig. 6.7
Inside View

Wood Parts

2 x 062 Tie 1 x 3 x 24-1/2"

Hardware

4 x H10 1/4 x 2-1/4" Hex Bolt
(1/4" lock washer, 1/4" flat washer, 1/4" t-nut)
4 x S11 #8 x 2" Wood Screw

Step 6: Join Swing and Slide Wall Assemblies Part 4

G: On the inside of the assembly attach (041) Narrow Back Panel to (052) Back Wall Panel using 2 Flat Panel Brackets in the places shown with 4 (S8) #12 x 3/4" Pan Screws per bracket. (fig. 6.8 and 6.9)

H: Repeat Step G to attach (042) Narrow Front Panel to (051) Front Wall Panel. (fig. 6.8 and 6.9)

I: At all four corners on the bottom and the two corners shown on top attach 1 Panel Corner Bracket with 4 (S8) #12 x 3/4" Pan Screws per bracket. Brackets to be flush to the top and bottom of the panels. (fig. 6.8 and 6.10)

Fig. 6.8

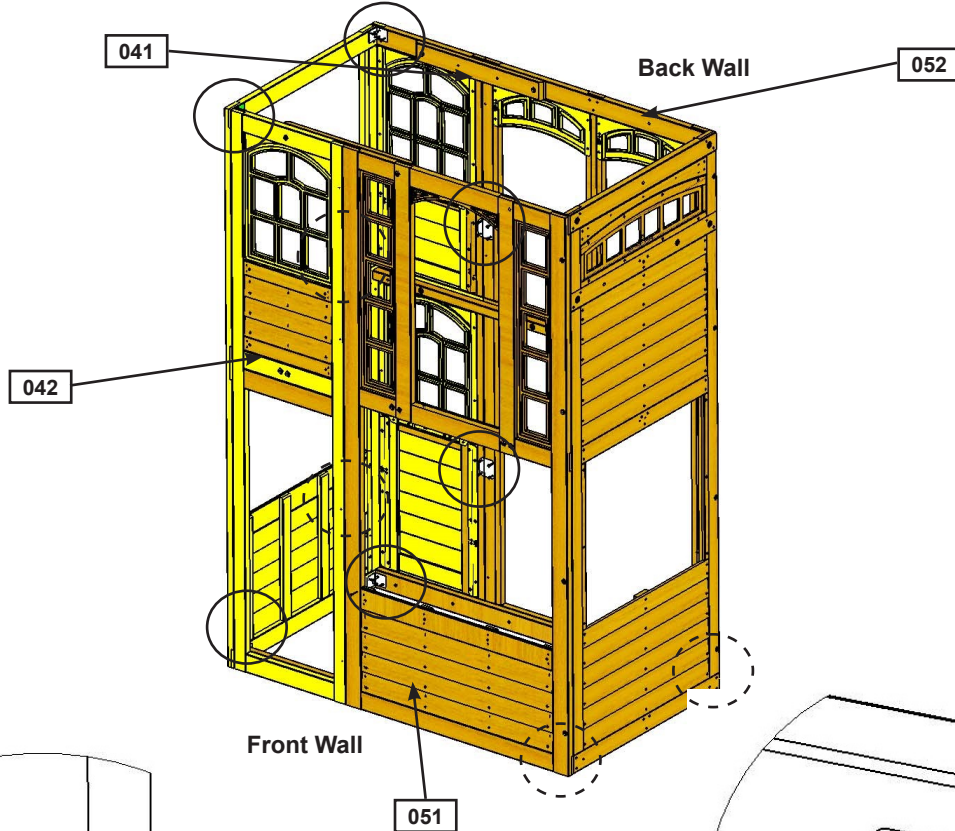


Fig. 6.9
Inside View

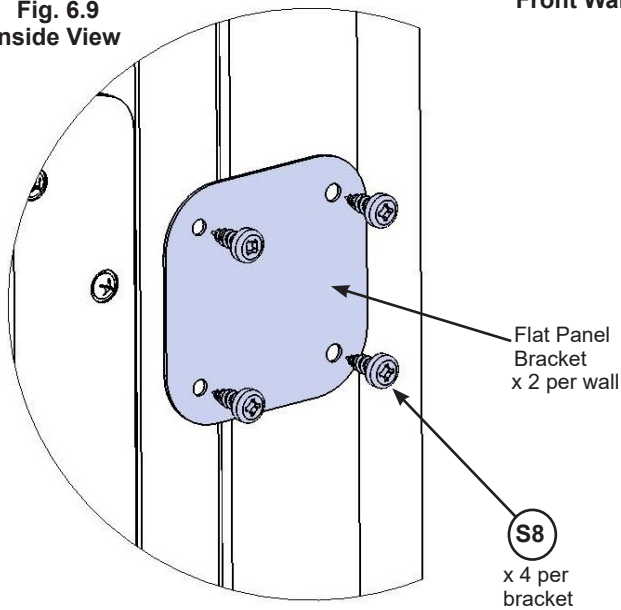
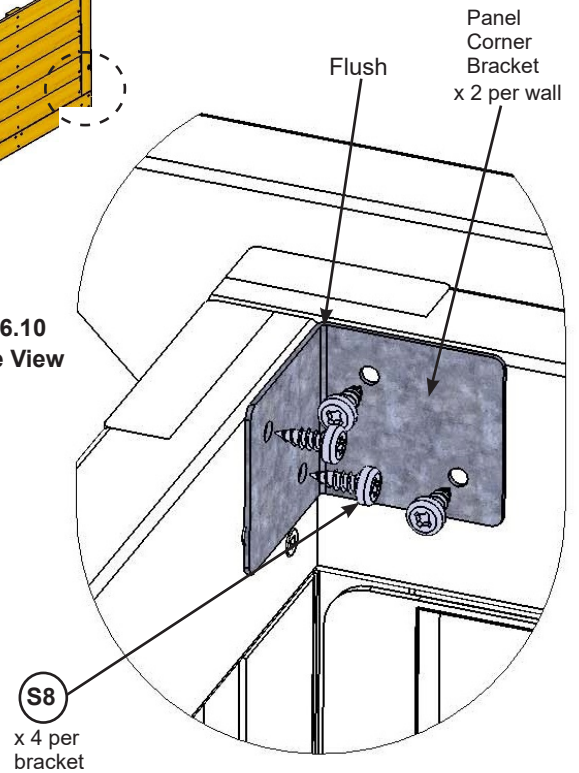


Fig. 6.10
Inside View



Hardware

40 x **S8** #12 x 3/4" Pan Screw

Other Parts

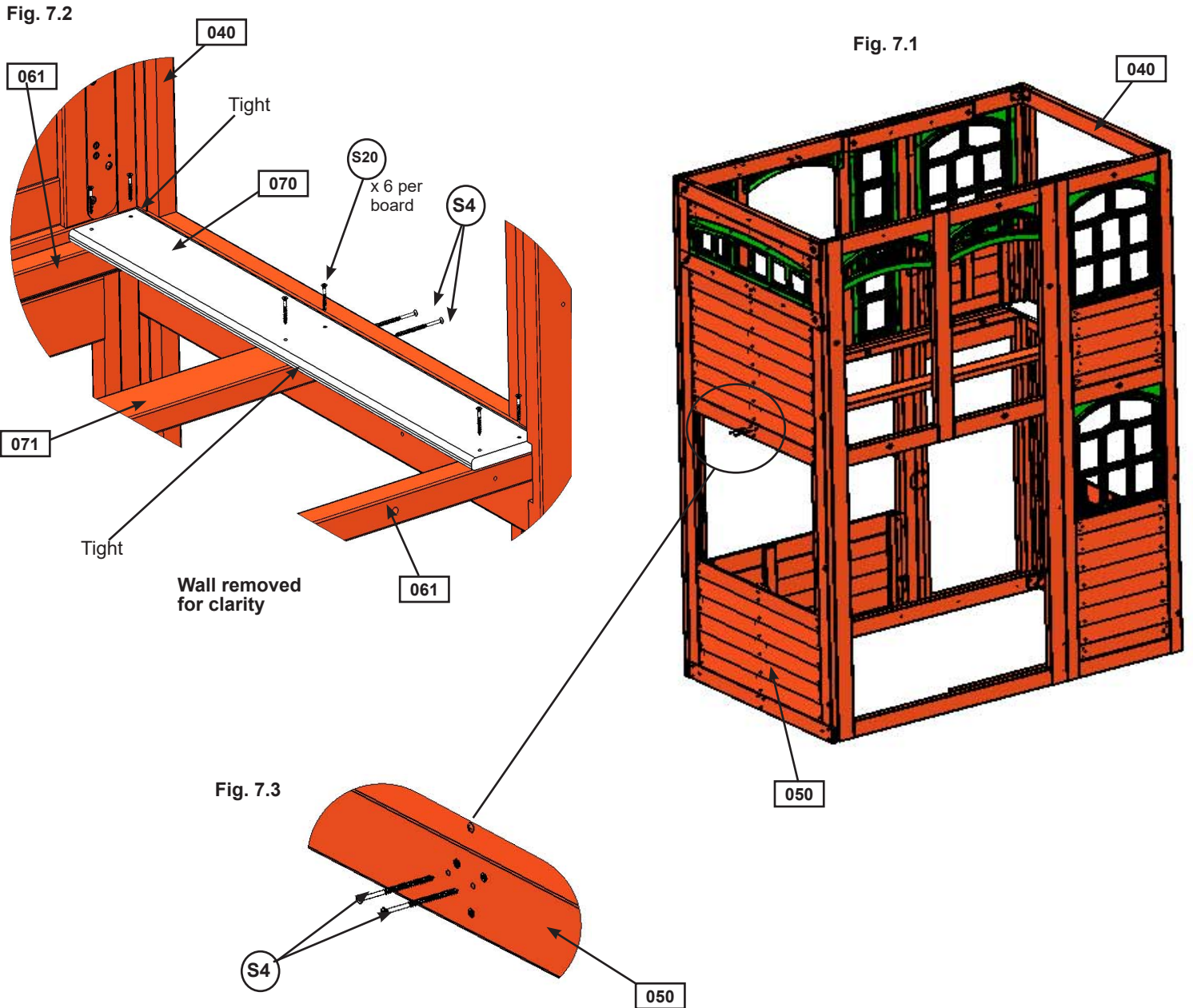
4 x Flat Panel Bracket
6 x Panel Corner Bracket

Step 7: Floor Assembly Part 1



A: Place 1 (070) Floor Board tight to (040) Slide End Panel and 1 tight to (050) SW Wall Panel then attach each to the (061) Side Joists with 4 (S20) #8 x 1-3/8" Wood Screws per board. (fig. 7.1 and 7.2)

B: Place (071) Long Floor Joist tight to the bottom of each (070) Floor Board, centred over the pilot holes on the (040) Slide End Panel and (050) SW Wall Panel then attach with 2 (S4) #8 x 3" Wood Screws per panel. Attach (070) Floor Board to (071) Long Floor Joist with 2 (S20) #8 x 1-3/8" Wood Screws per board (fig. 7.1, 7.2 and 7.3)



Wood Parts

- 2 x 070 Floor Board 1 x 5 x 35-5/8"
- 1 x 071 Long Floor Joist 1-1/4 x 3 x 63-1/4"

Hardware

- 12 x S20 #8 x 1-3/8" Wood Screw
- 4 x S4 #8 x 3" Wood Screw

Step 7: Floor Assembly Part 2



C: Measure the distance from the Back Wall to the Front Wall from the inside of the panels to make sure it equals 35-3/4". Maintain this measurement when installing the floor boards. Starting at the Slide Wall place 3 (070) Floor Boards tight to the previously attached (070) Floor Board, followed by 1 (072) Floor Board then 8 more (070) Floor Boards. Make sure all boards are equally spaced then attach to (071) Long Floor Joist and each (061) Side Joist with 6 (S20) #8 x 1-3/8" Wood Screws per board. (fig. 7.4, 7.5 and 7.6)

Fig. 7.4

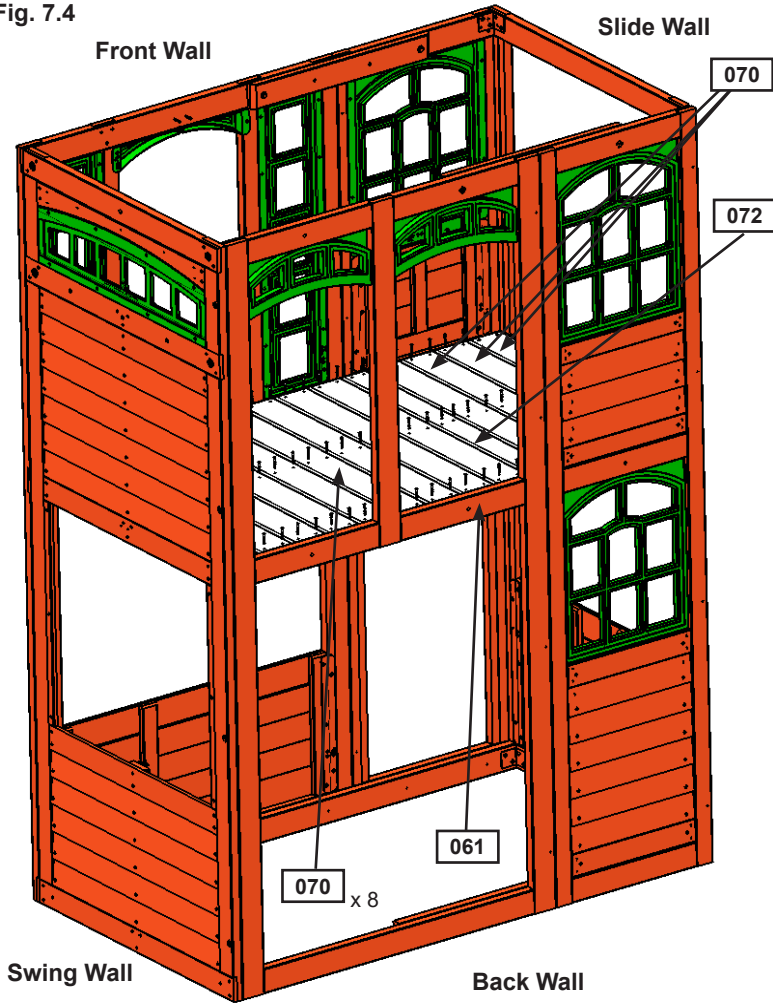


Fig. 7.5

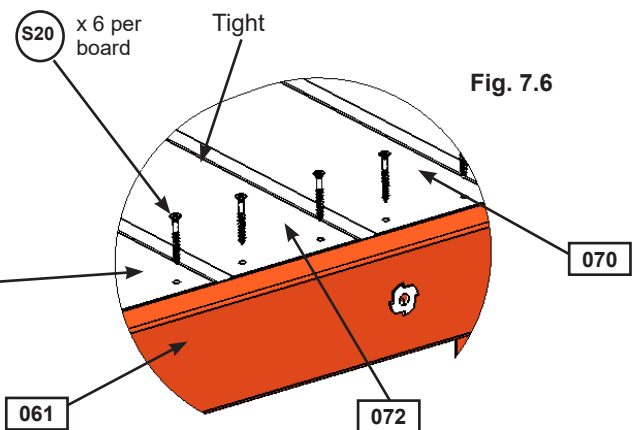
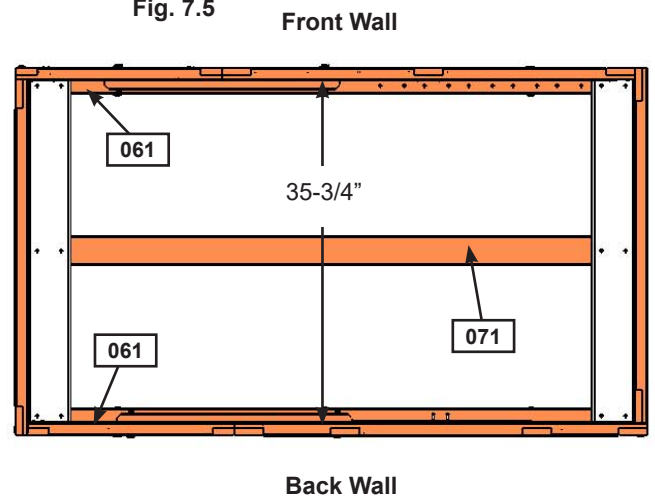


Fig. 7.6

Wood Parts

- 11 x 070 Floor Board 1 x 5 x 35-5/8"
- 1 x 072 Floor Board 1 x 4 x 35-5/8"

Hardware

- 72 x S20 #8 x 1-3/8" Wood Screw

Step 8: Attach Wall Tops

A: In the opening of (050) SW Wall Panel, from the inside, attach (080) SW Wall Top, tight to the corner of the panels with overhang facing in with 1 (S11) #8 x 2" Wood Screw at each end as shown in fig. 8.1 and 8.2.

B: Attach (080) SW Wall Top to slat in (050) SW Wall Panel with 1 Corner Bracket using 3 (S37) #7 x 5/8" Pan Screws. (fig. 8.1 and 8.3)

C: In the opening of (040) Slide End Panel, from the inside, attach (081) Half Wall Top, tight to the corner of the panels with overhang facing in with 1 (S11) #8 x 2" Wood Screw at each end as shown in fig. 8.1 and 8.2.

D: Attach (081) Half Wall Top to slats in (040) Slide End Panel with 2 Corner Bracket using 3 (S37) #7 x 5/8" Pan Screws per bracket. (fig. 8.1 and 8.3)

Fig. 8.2
Inside View

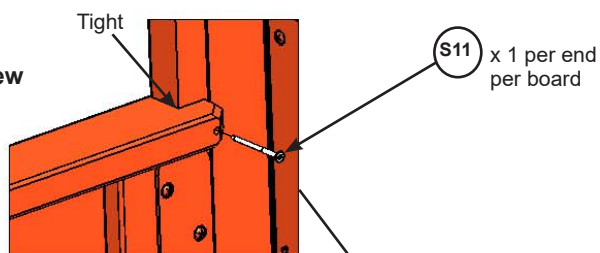


Fig. 8.3
Inside View

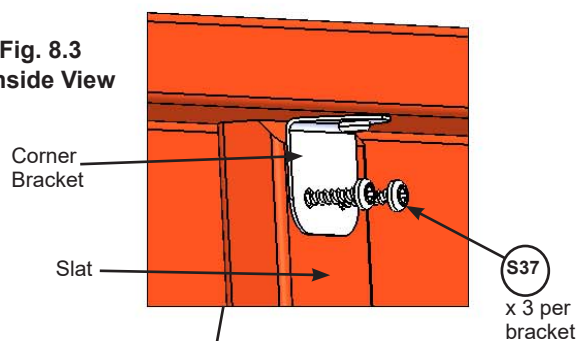
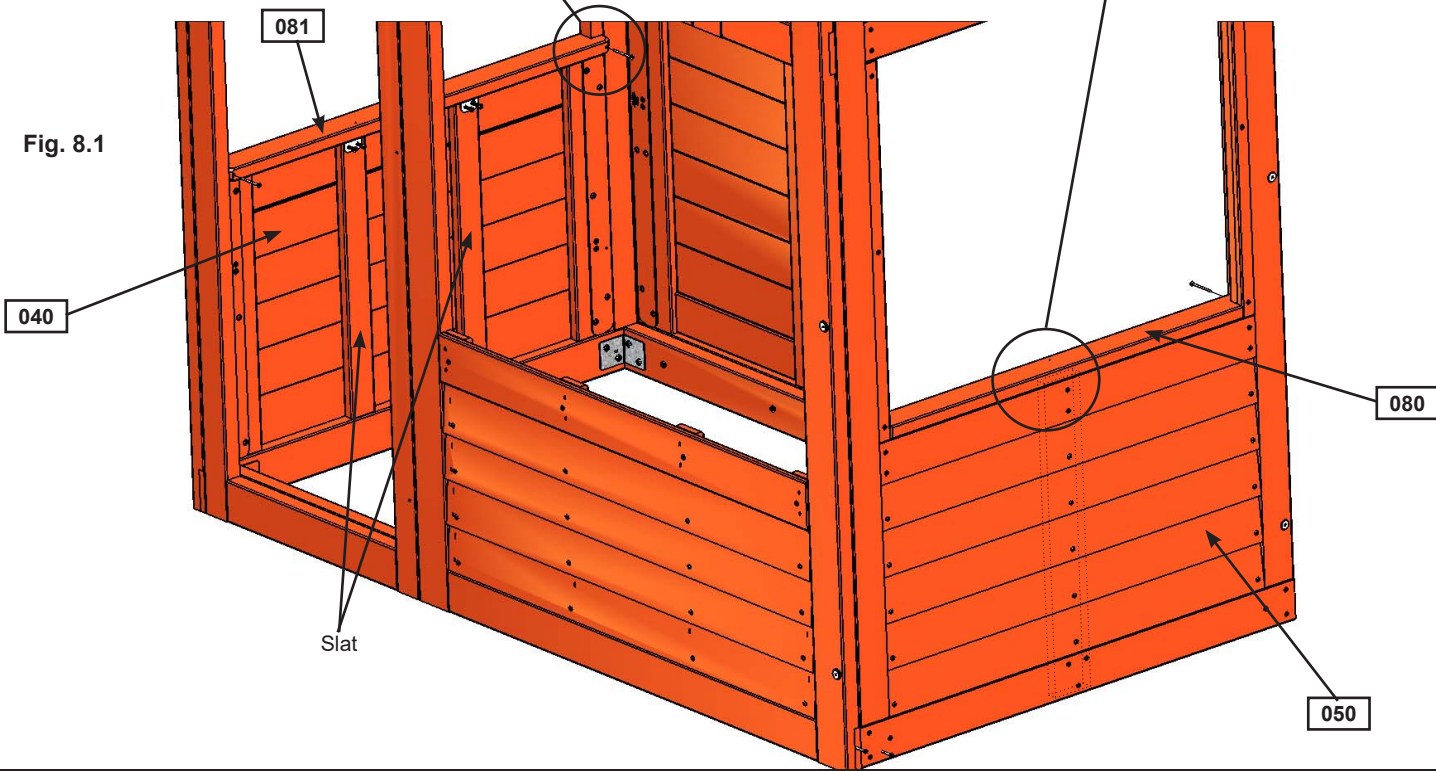


Fig. 8.1



Wood Parts

- 1 x 080 SW Wall Top 5/4 x 3 x 33-1/2"
- 1 x 081 Half Wall Top 5/4 x 3 x 33"

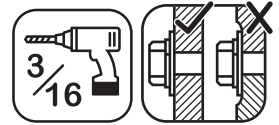
Hardware

- 4 x S11 #8 x 2" Wood Screw
- 9 x S37 #7 x 5/8" Pan Screw

Other Parts

- 3 x Corner Bracket

Step 9: Attach Diagonals Part 1



A: Loosely attach (090) SW Ground to (091) Diagonal with 1 (WB9) 5/16 x 2-1/8" Wafer Bolt (with flat washer and t-nut) then place (091) Diagonal tight and flush to the front of (040) Slide End Panel. (090) SW Ground to be flush to the bottom of (040) Slide End Panel. (fig. 9.1 and 9.2)

B: Pre-drill pilot hole with a 3/16" drill bit then attach (091) Diagonal to (040) Slide End Panel with 1 (WL5) 1/4 x 2-1/2" Wafer Lag (with flat washer), checking that it remains flush to outside edge. (fig. 9.1 and 9.2)

C: Making sure bottom of (090) SW Ground is flush to bottom of (040) Slide End Panel then attach with 2 (S11) #8 x 2" Wood Screws and 1 (S4) #8 x 3" Wood Screw then tighten the bolt. (fig. 9.1 and 9.2)

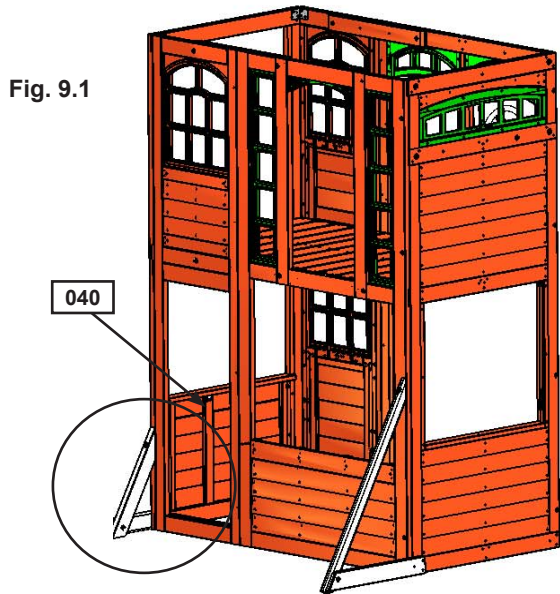


Fig. 9.1

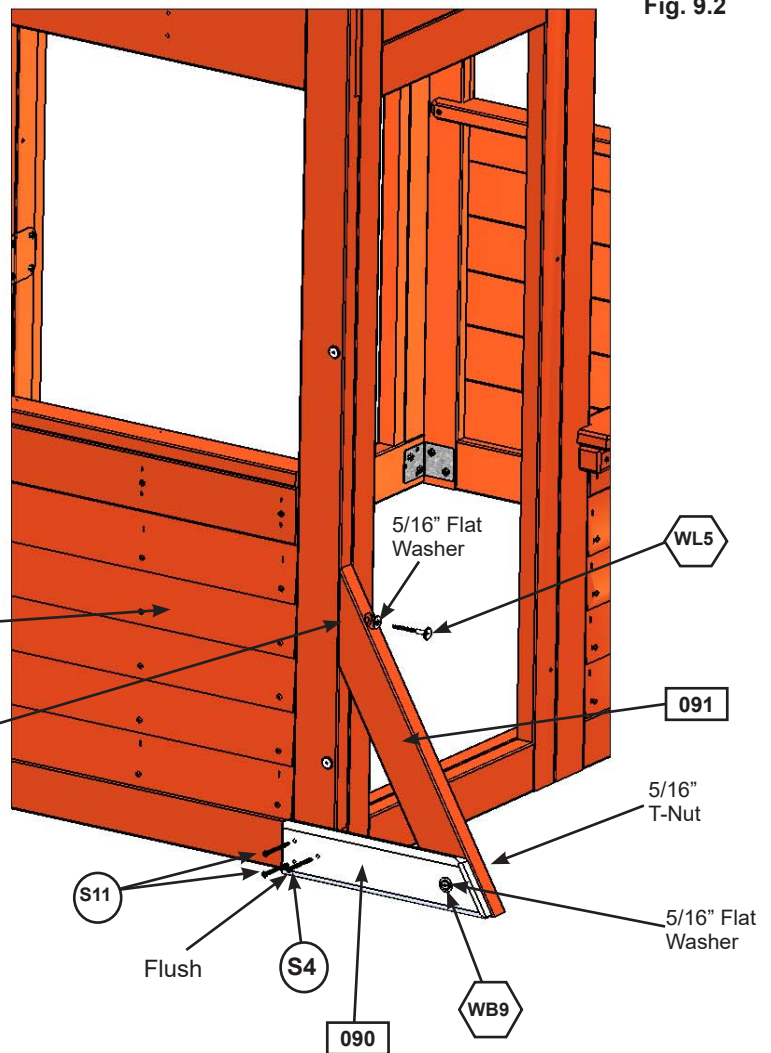


Fig. 9.2

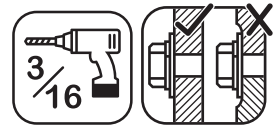
Wood Parts

- 1 x 090 SW Ground 5/4 x 4 x 14-1/4"
- 1 x 091 Diagonal 1-1/4 x 3 x 22"

Hardware

- 1 x WB9 5/16 x 2-1/8" Wafer Bolt (5/16" flat washer, 5/16" t-nut)
- 1 x WL5 1/4 x 2-1/2" Wafer Lag (5/16" flat washer)
- 1 x S4 #8 x 3" Wood Screw
- 2 x S11 #8 x 2" Wood Screw

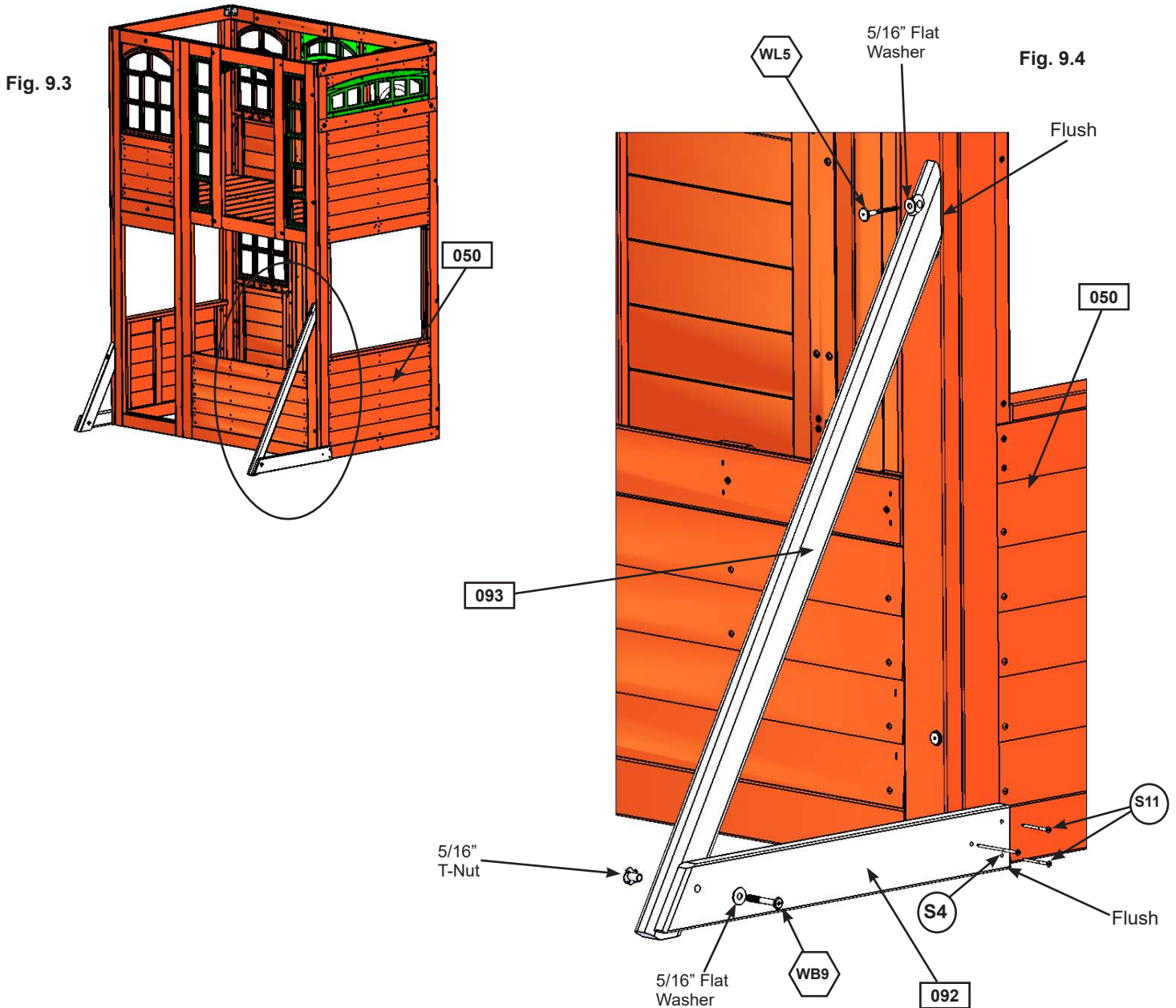
Step 9: Attach Diagonals Part 2



D: Loosely attach (092) Support Diagonal to (093) Diagonal with 1 (WB9) 5/16" x 2-1/8" Wafer Bolt (with flat washer and t-nut) then place (093) Diagonal tight and flush to the front of (050) SW Wall Panel. (092) Support Diagonal to be flush to the bottom of (050) SW Wall Panel. (fig. 9.3 and 9.4)

E: Pre-drill pilot hole with a 3/16" drill bit then attach (093) Diagonal to (050) SW Wall Panel with 1 (WL5) 1/4 x 2-1/2" Wafer Lag (with flat washer), checking that it remains flush to outside edge. (fig. 9.3 and 9.4)

F: Making sure bottom of (092) Support Diagonal is flush to bottom of (050) SW Wall Panel then attach with 2 (S11) #8 x 2" Wood Screws and 1 (S4) #8 x 3" Wood Screw then tighten the bolt. (fig. 9.3 and 9.4)



Wood Parts

- 1 x 092 Support Diagonal 5/4 x 4 x 24-1/2"
- 1 x 093 Diagonal 2 x 3 x 42-1/4"

Hardware

- 1 x WB9 5/16 x 2-1/8" Wafer Bolt (5/16" flat washer, 5/16" t-nut)
- 1 x WL5 1/4 x 2-1/2" Wafer Lag (5/16" flat washer)
- 1 x S4 #8 x 3" Wood Screw
- 2 x S11 #8 x 2" Wood Screw

Step 10: Attach Access Ladder/Rockwall Assembly Part 1

A: Place Access Ladder/Rockwall Assembly from Step 3 against (052) Back Wall Panel, flush to the outside edge and flush to the top of the floor boards then attach with 4 (S11) #8 x 2" Wood Screws. (fig. 10.1 and 10.2)

Fig. 10.1

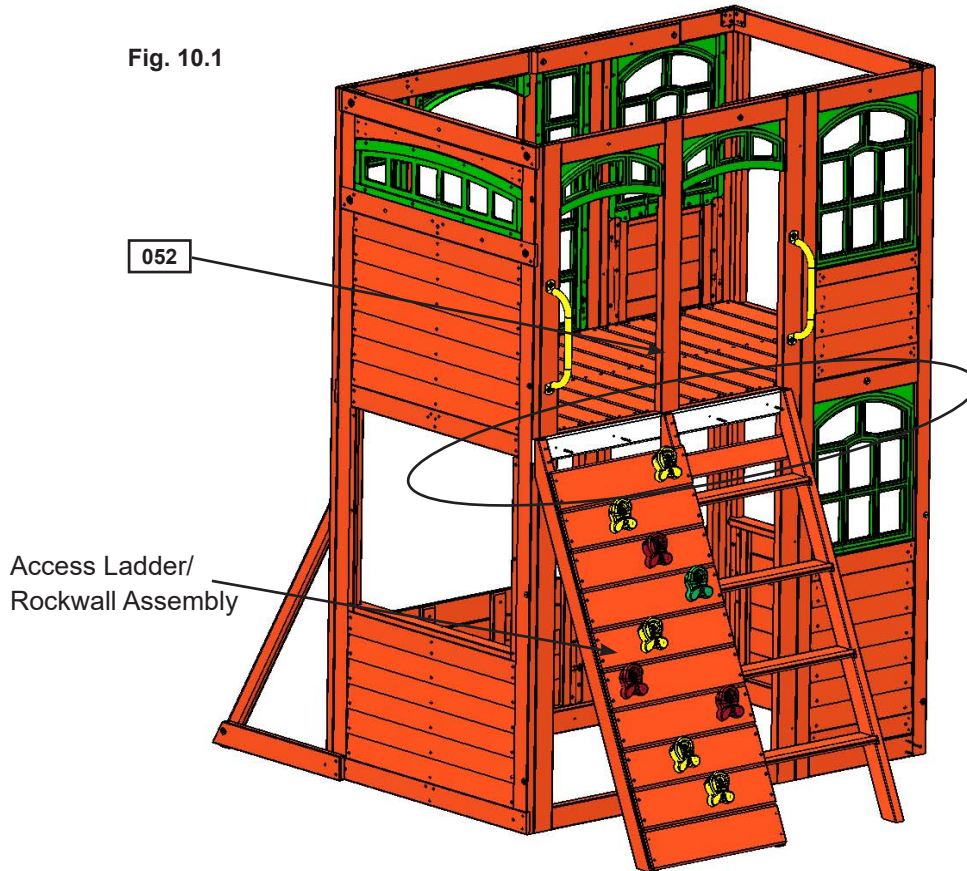
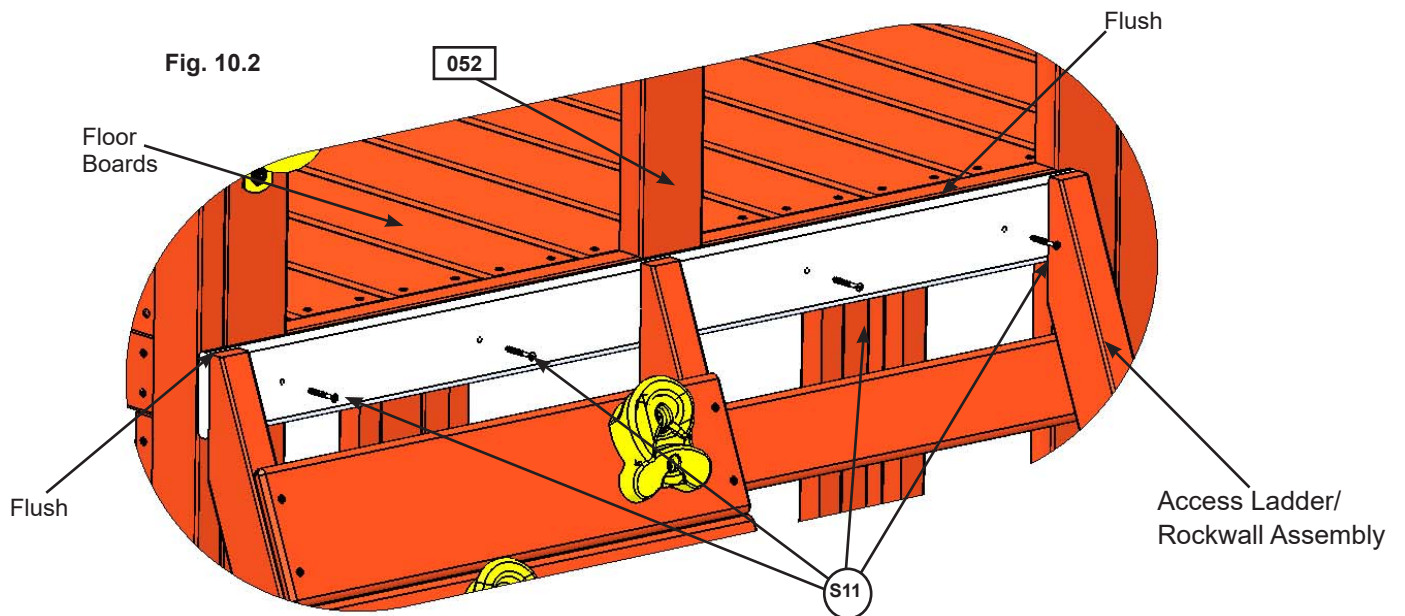


Fig. 10.2



Hardware

4 x (S11) #8 x 2" Wood Screw

Step 10: Attach Access Ladder/Rockwall Assembly Part 2

B: Place (031) Access Board from Step 3, Part 1 against (020) Left Access and (024) Rock Rail and flush to the top then attach with 4 (S20) #8 x 1-3/8" Wood Screws. (fig. 10.3 and 10.4)

Fig. 10.3

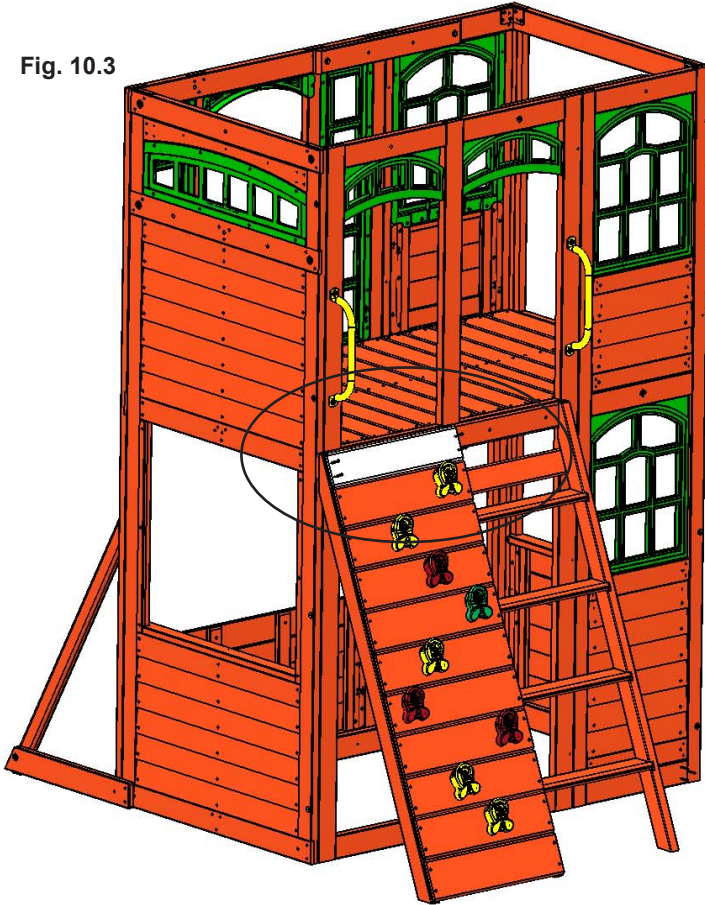
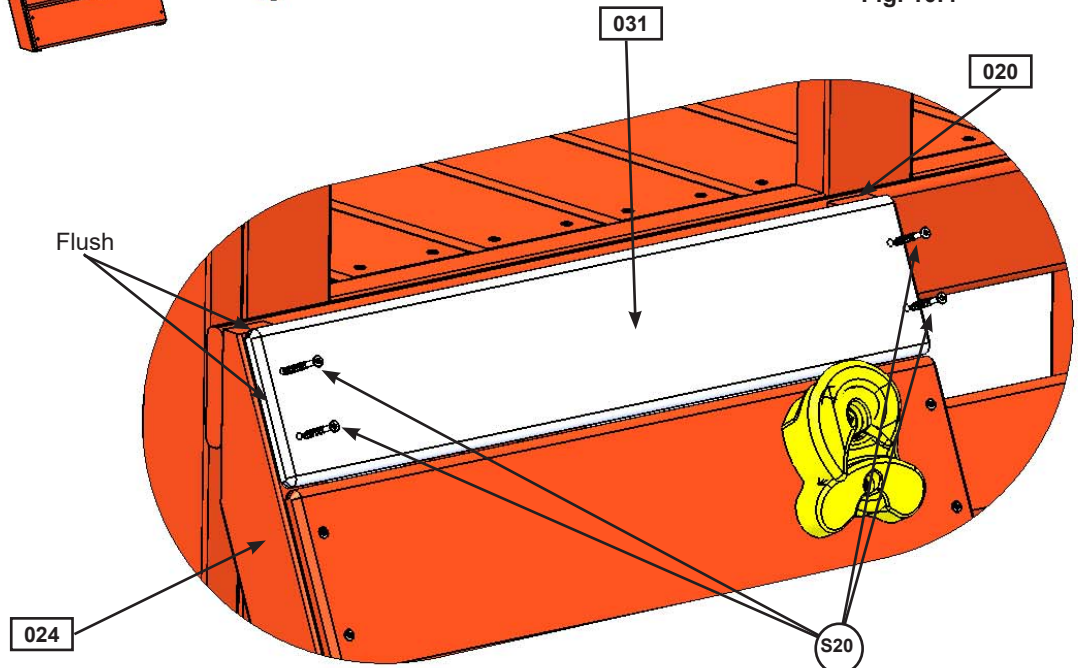


Fig. 10.4



Wood Parts

1 x 031 Access Board 1 x 5 x 22-1/8"

Hardware

4 x S20 #8 x 1-3/8" Wood Screw

Step 10: Attach Access Ladder/Rockwall Assembly Part 3

C: Place (100) RW-AL Ground Brace flush to the end and bottom of (024) Rock Rail. Make sure the other end of the board is flush to the bottom of (050) SW Wall Panel then attach to (024) Rock Rail with 2 (S11) #8 x 2" Wood Screws. (fig. 10.5 and 10.6)

D: Attach other end of (100) RW-AL Ground Brace to (050) SW Wall Panel with 2 (S11) #8 x 2" Wood Screws and 1 (S4) #8 x 3" Wood Screw. (fig. 10.5 and 10.6)

Fig. 10.5

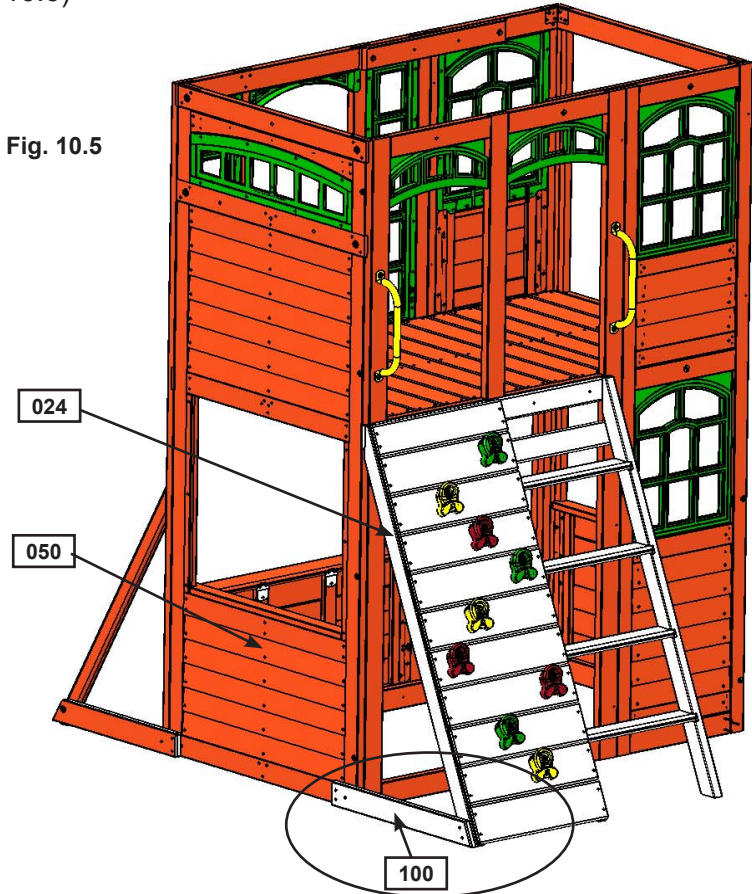
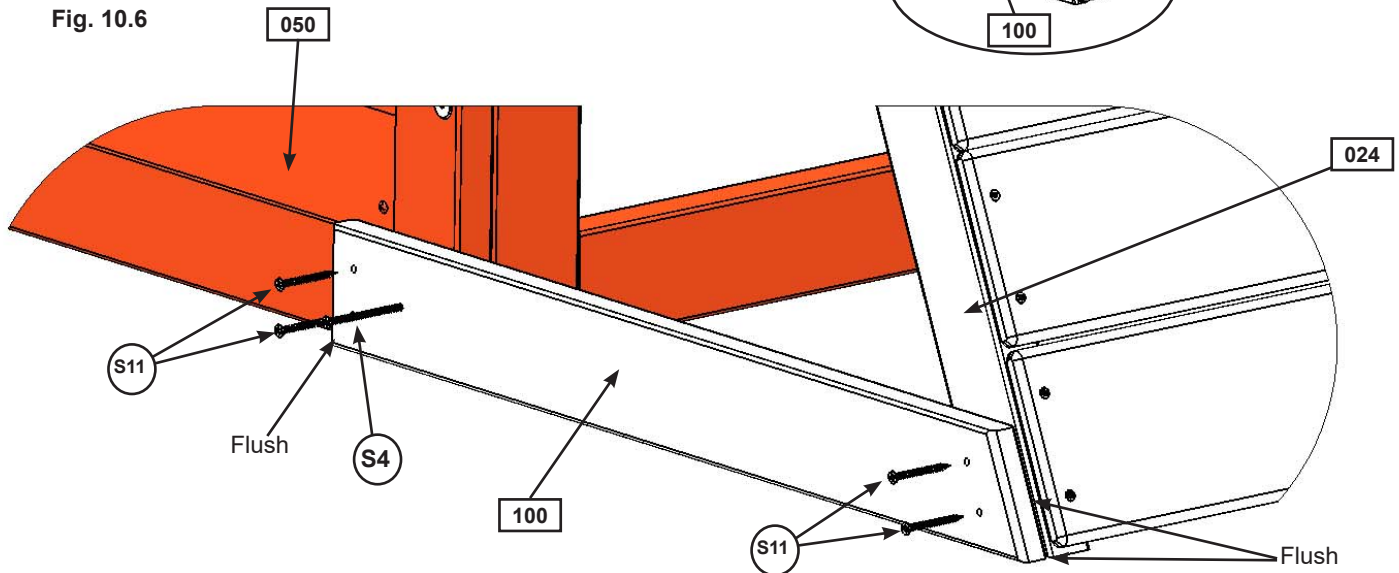


Fig. 10.6



Wood Parts

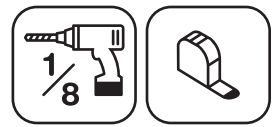
1 x 100 RW-AL Ground Brace 5/4 x 4 x 27-3/4"

Hardware

1 x S4 #8 x 3" Wood Screw

4 x S11 #8 x 2" Wood Screw

Step 11: Attach Hand Grips and Hand Rail to Fort Part 1



A: Measure 6" from the top of (025) RW/AL Support on (052) Back Wall Panel in the 2 places shown below, pre-drill with a 1/8" drill bit then attach 2 Steel Hand Grips with 2 (WL3) 1/4 x 1-3/8" Wafer Lag (with flat washer) per Steel Hand Grip. (fig. 11.1 and 11.2)

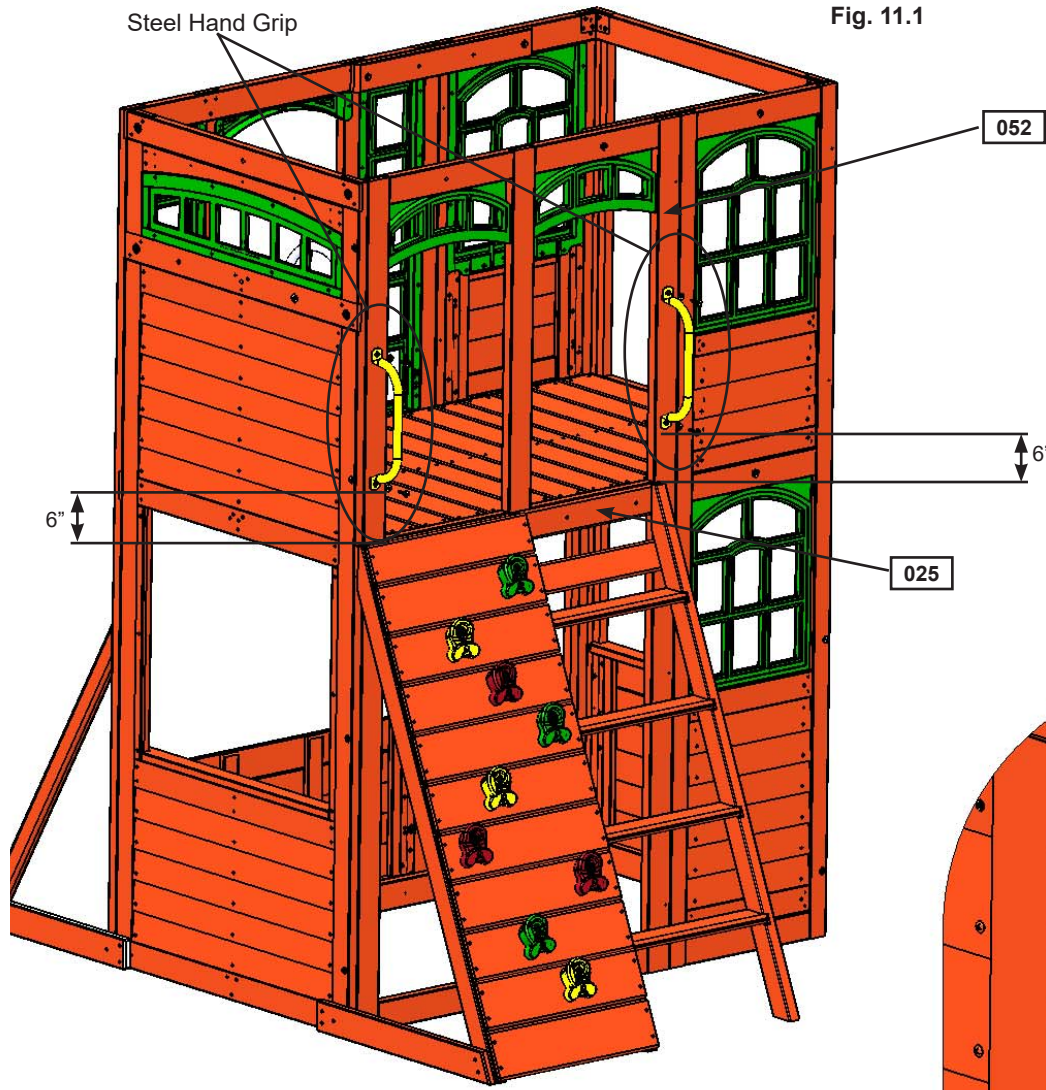


Fig. 11.1

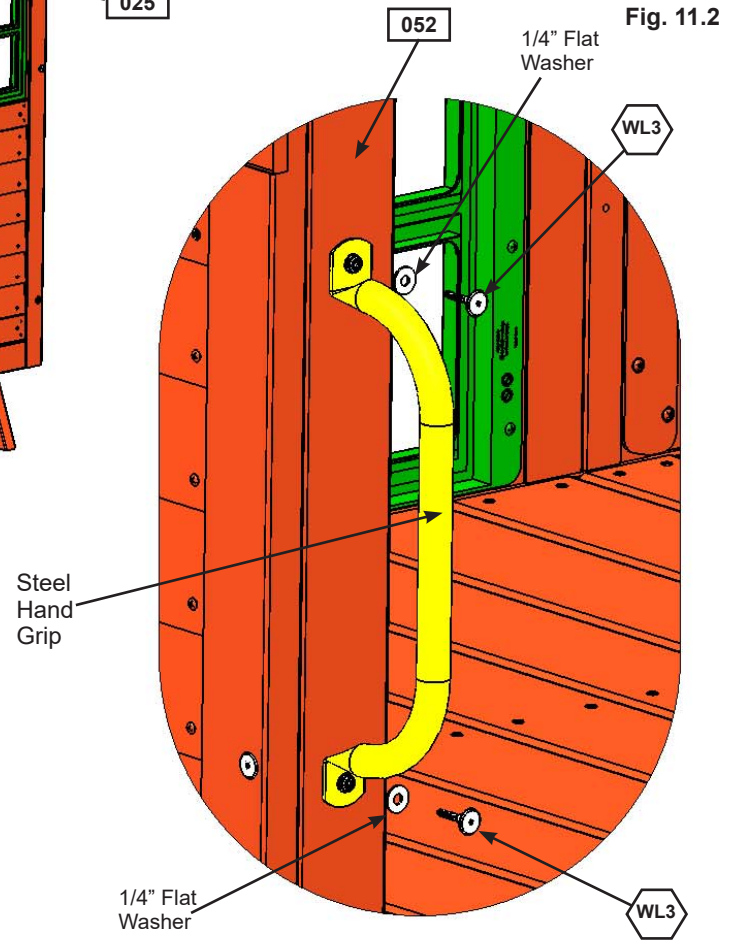


Fig. 11.2

Hardware

4 x 1/4 x 1-3/8" Wafer Lag
(1/4" flat washer)

Other Parts

2 x Steel Hand Grip

Step 11: Attach Hand Grips and Hand Rail to Fort Part 2



B: Place top of EN71 Hand Rail flush to the inside edge (052) Back Wall Panel and the bottom on (021) Right Access. **Pre-drill holes using a 3/16" (4.8 mm) drill bit** then attach EN71 Hand Rail using 2 (WL3) 1/4 x 1-3/8" Wafer Lags. (fig. 11.3, 11.4 and 11.5)

Fig. 11.3

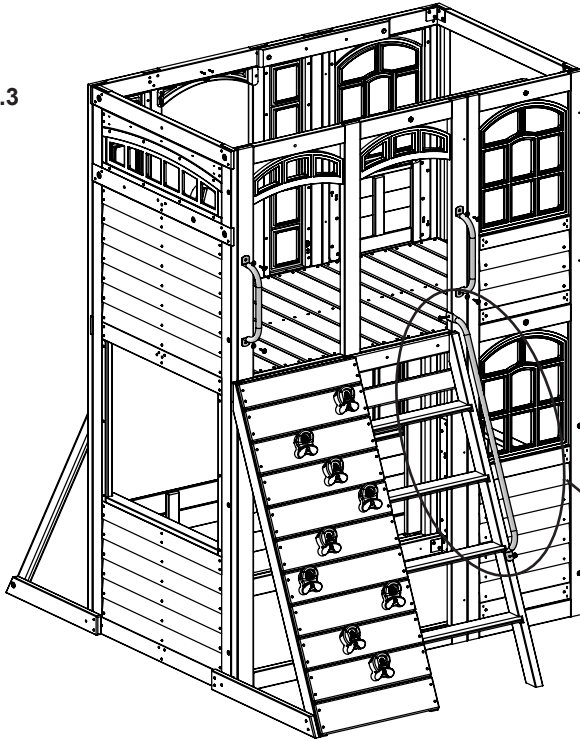


Fig. 11.4

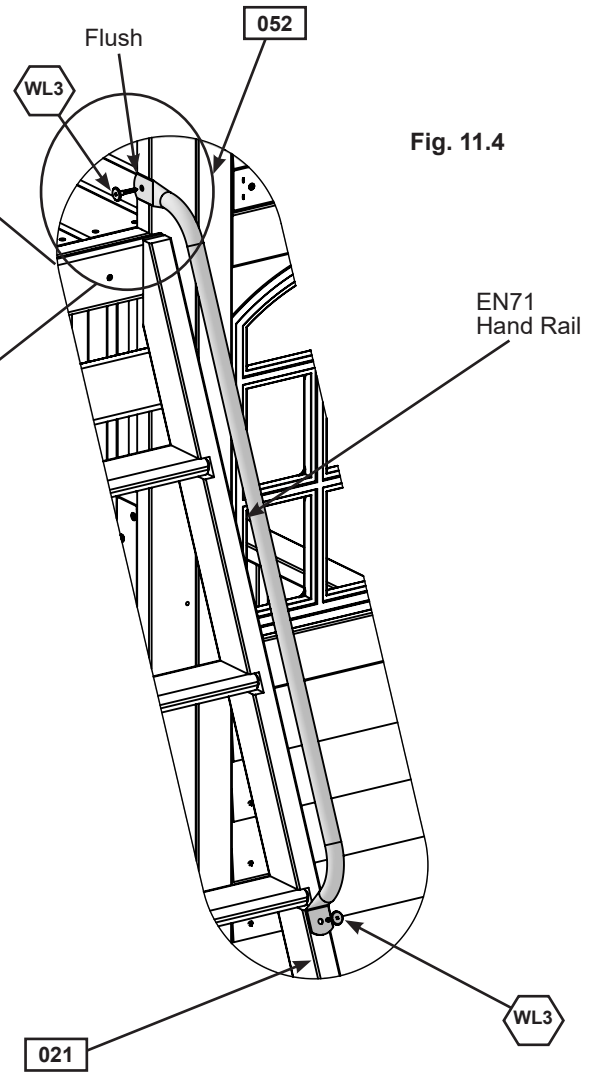
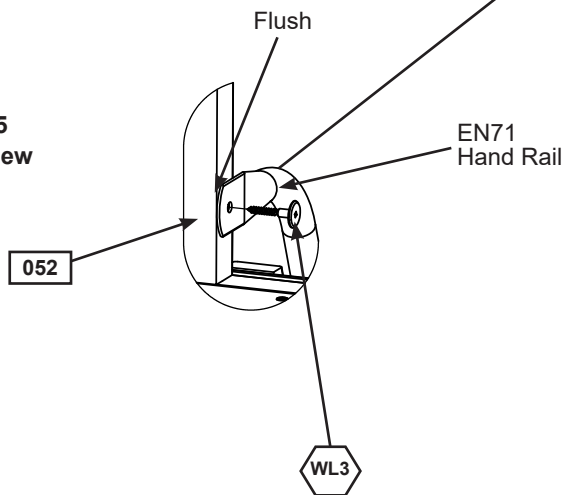



Fig. 11.5
Inside View



Hardware

2 x  1/4 x 1-3/8" Wafer Lag
(1/4" flat washer)

Other Parts

1 x EN71 Hand Rail

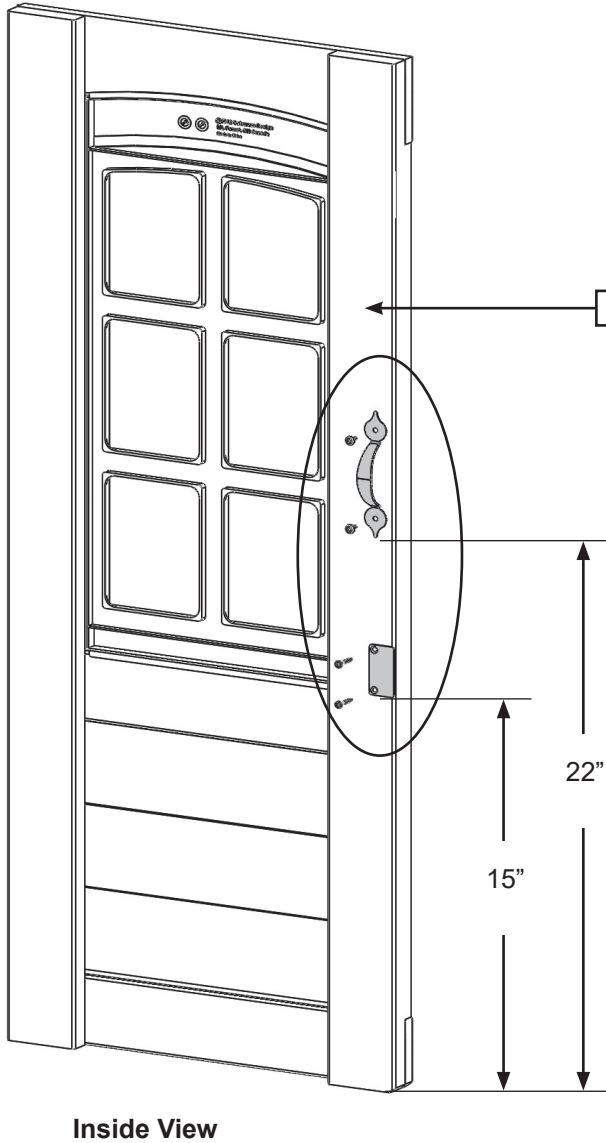
Step 12: Door Panel Assembly Part 1



A: On the inside of (120) Door Window Panel measure 15" up from the bottom and attach Catch Plate flush to the edge using 2 (S38) #7 x 1-1/8" Pan Screws. (fig. 12.1 and 12.2)

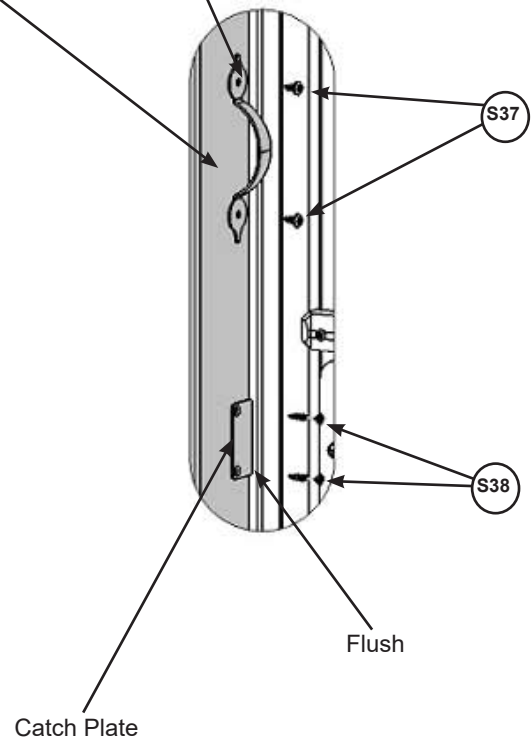
B: On the inside of (120) Door Window Panel measure 22" up from the bottom and attach 1 Door Handle using 2 (S37) #7 x 5/8" Pan Screws. (fig. 12.1 and 12.2)

Fig. 12.1



Door Handle

Fig. 12.2



Catch Plate

Flush

Wood Parts

1 x 120 Door Window Panel 1-1/4 x 15-3/4 x 42-1/8"

Hardware

2 x S38 #7 x 1-1/8" Pan Screw
2 x S37 #7 x 5/8" Pan Screw

Other Parts

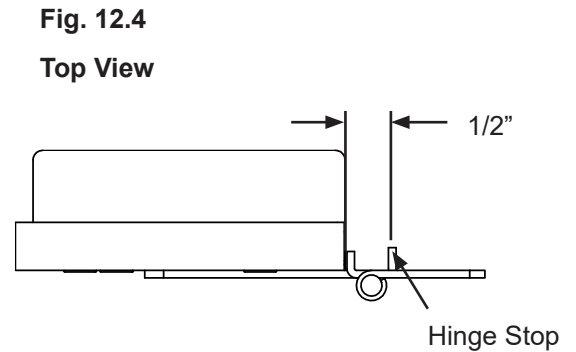
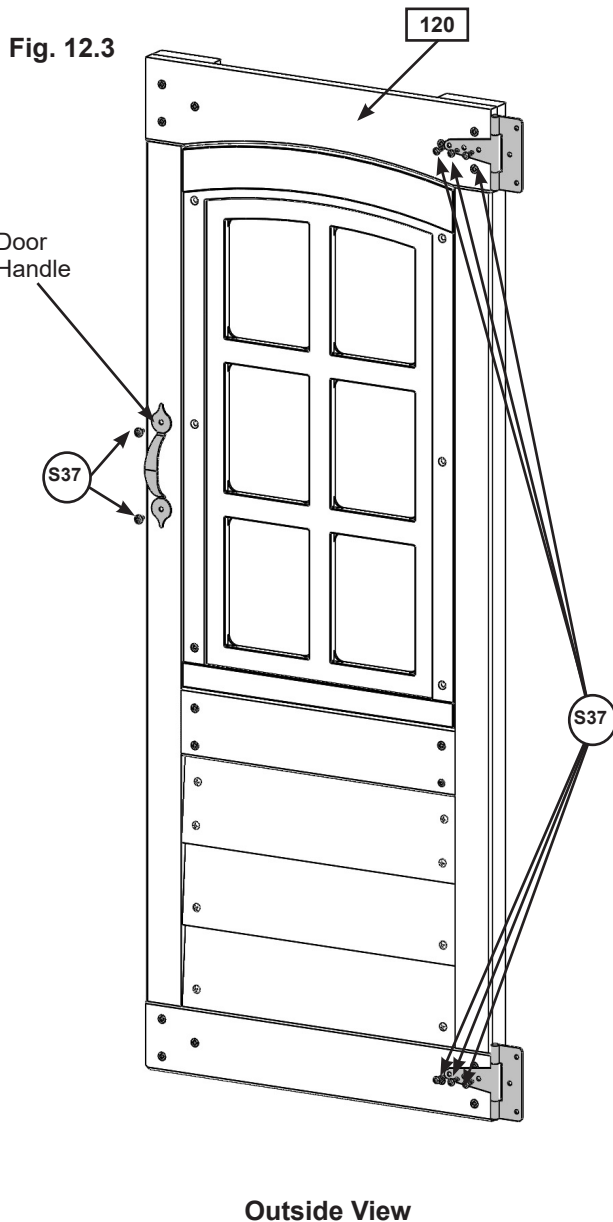
1 x Door Handle
1 x Catch Plate

Step 12: Door Panel Assembly Part 2

C: On the outside of the (120) Door Window Panel attach the second Door Handle at approximately the same place as the one on the inside. Use 2 (S37) #7 x 5/8" Pan Screws. (fig. 12.3)

D: Attach 2 Door Hinges on the outside of the (120) Door Window Panel on the opposite side from the Door Handle. Judge spacing based on fig. 12.3. Use 3 (S37) #7 x 5/8" Pan Screws per Hinge.

Note: Hinge stops must be tight to (120) Door Window Panel. (fig. 12.4)



Hardware

8 x (S37) #7 x 5/8" Pan Screw

Other Parts

1 x Door Handle
2 x Door Hinge

Step 12: Door Panel Assembly Part 3



E: In the opening for the door, measure $3/4$ " from the top of (042) Narrow Front Panel bottom and maximum $5/8$ " from right side of the opening which would be the Door Hinge side and attach the remaining side of the hinges to (042) Narrow Front Panel using 3 (S37) #7 x $5/8$ " Pan Screws per hinge. (fig. 12.5 and 12.6)

Fig. 12.5

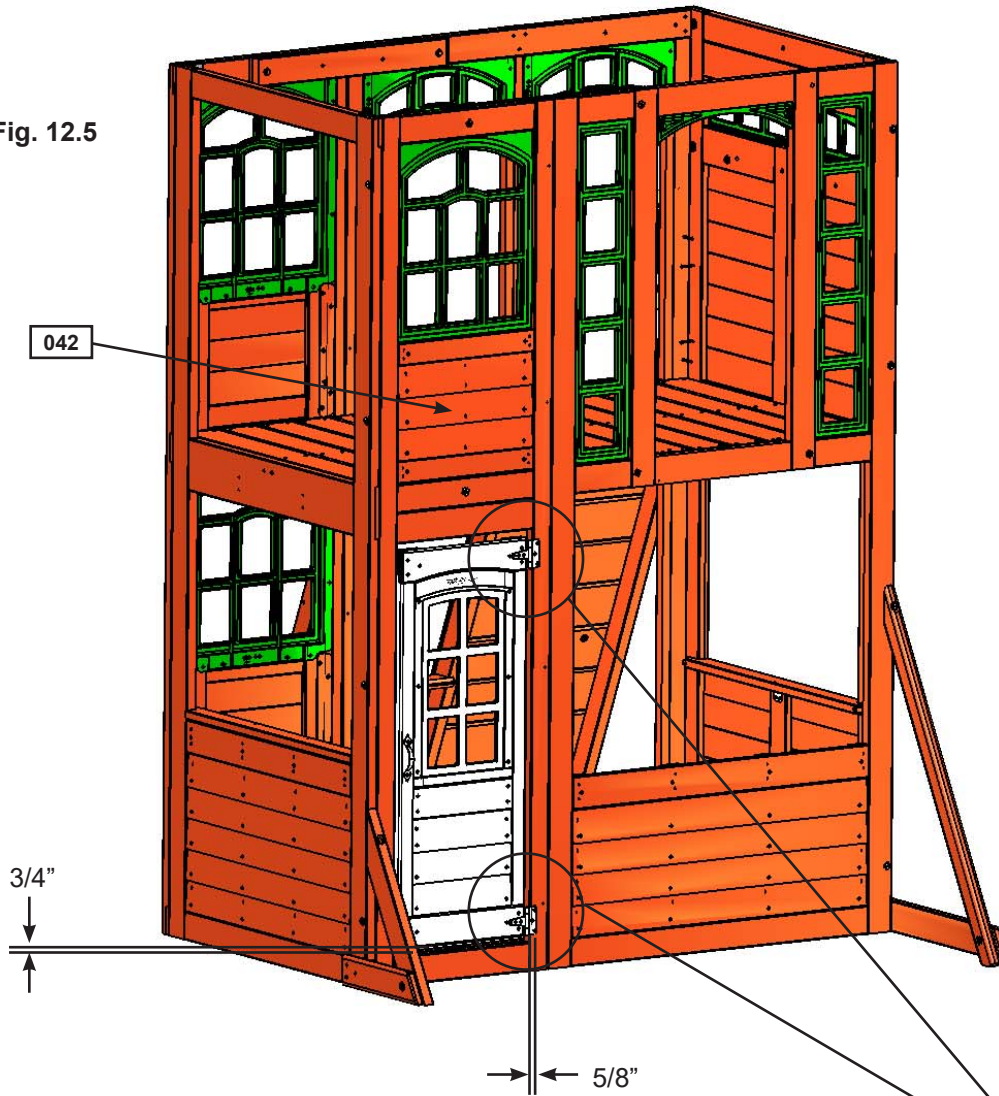
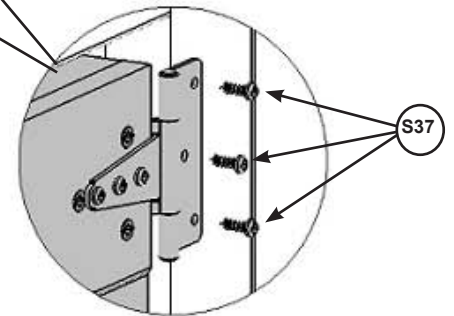


Fig. 12.6



Hardware

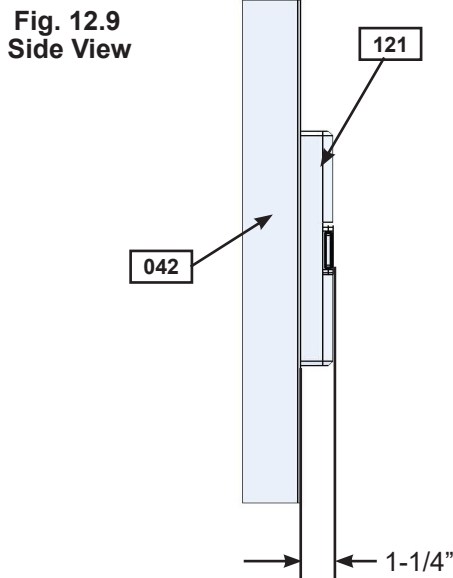
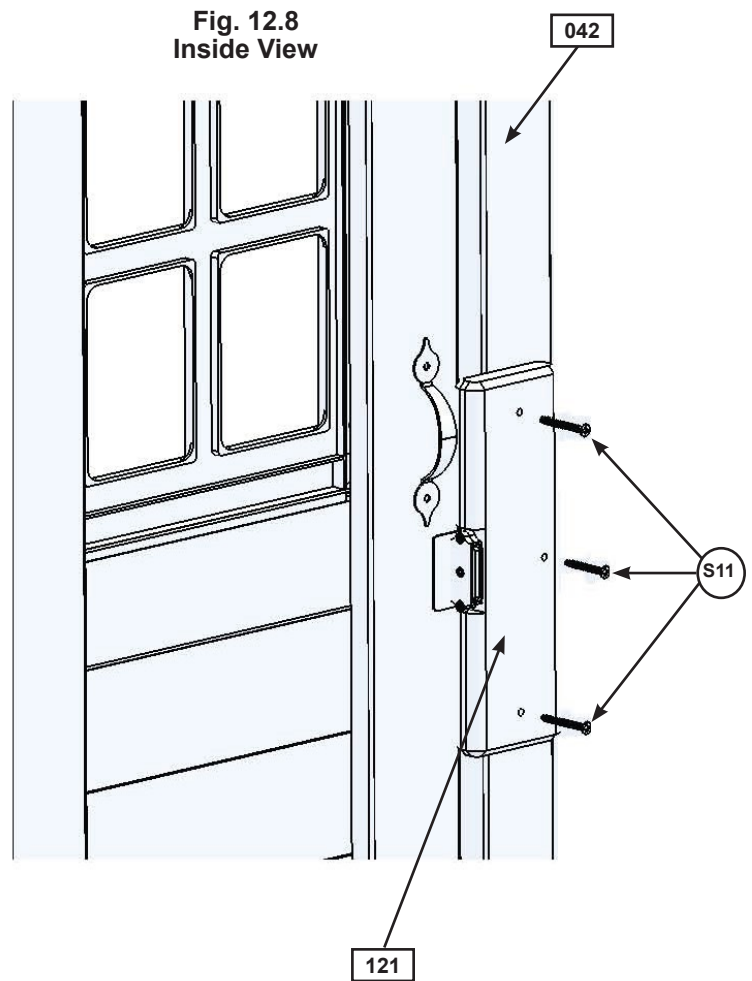
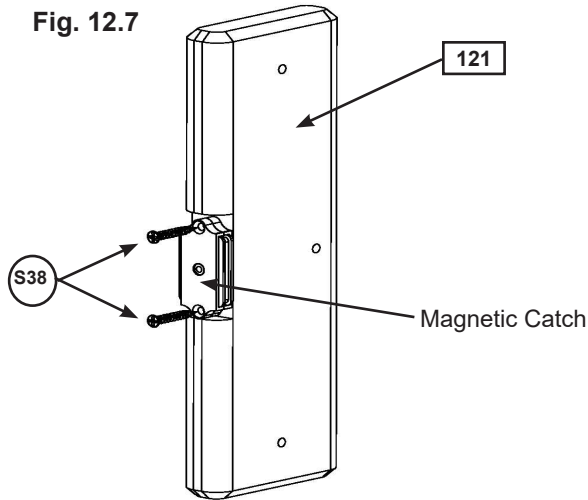
6 x  #7 x $5/8$ " Pan Screw

Step 12: Door Panel Assembly Part 4



F: In the notched out opening of (121) Door Stop attach the Magnetic Catch using 2 (S38) #7 x 1-1/8" Pan Screws. (fig. 12.7) **Important: Use a hand held screw driver and DO NOT over tighten.**

G: On the inside of the assembly, attach (121) Door Stop to (042) Narrow Front Panel with 3 (S11) #8 x 2" Wood Screws, making sure (121) Door Stop overhangs (042) Narrow Front Panel by 1-1/4" and is in position to receive the Catch Plate. (fig. 12.8 and 12.9).



Wood Parts

1 x (121) Door Stop 5/4 x 3 x 10"

Hardware

2 x (S38) #7 x 1-1/8" Pan Screw

3 x (S11) #8 x 2" Wood Screw

Other Parts

1 x Magnetic Catch

Step 13: Front Wall Assembly Part 1

A: Place (130) Table Support flush to the notched out ends of (131) Table Top and attach with 4 (S7) #12 x 2" Pan Screws as shown in fig. 13.1.

B: Place Table Top Assembly tight in the opening of (051) Front Wall Panel and attach (130) Table Support to (051) Front Wall Panel with 2 (S3) #8 x 2-1/2" Wood Screws. (fig. 13.2 and 13.3)

Fig. 13.1

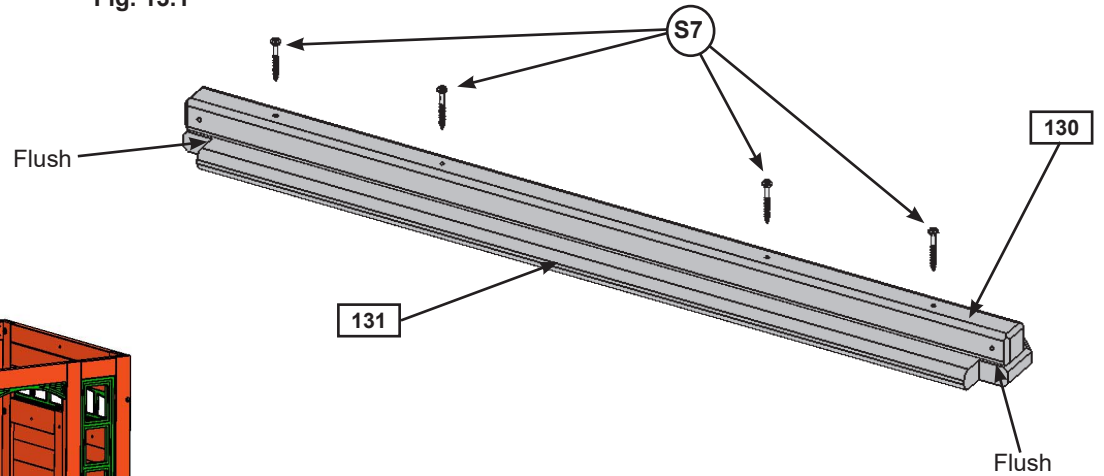


Fig. 13.2

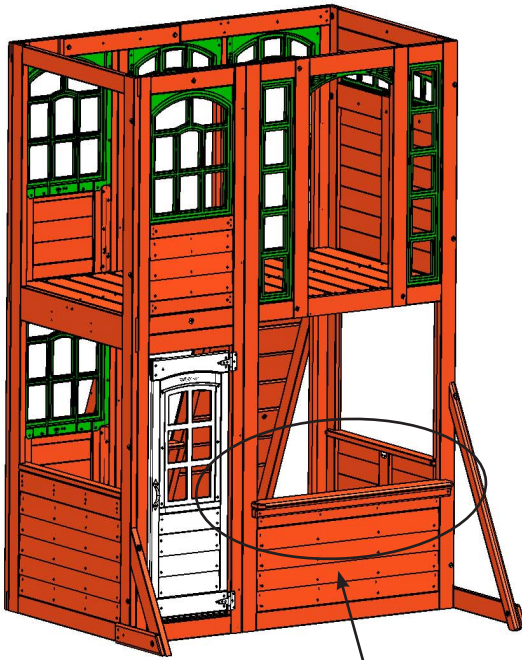
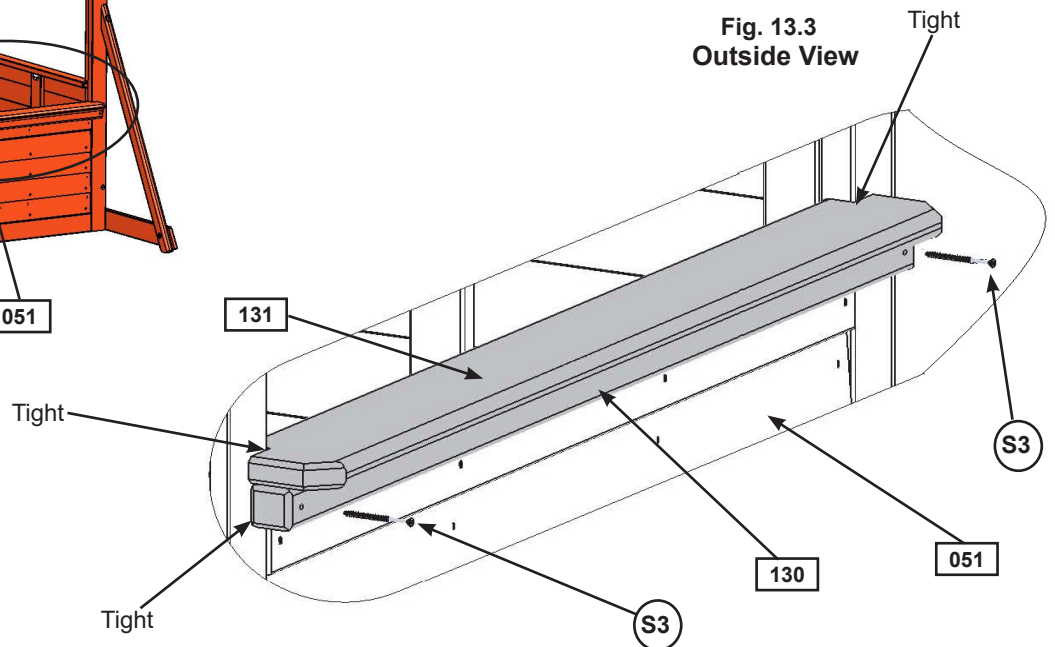


Fig. 13.3
Outside View



Wood Parts

- 1 x 130 Table Support 2 x 2 x 39-5/8"
- 1 x 131 Table Top 5/4 x 5 x 39-5/8"

Hardware

- 4 x S7 #12 x 2" Pan Screw
- 2 x S3 #8 x 2-1/2" Wood Screw

Step 13: Front Wall Assembly Part 2

C: From the inside of the assembly attach (131) Table Top to slats in (051) Front Wall Panel with 2 Flat Brackets using 3 (S0) #8 x 7/8" Truss Screws per bracket. (fig. 13.4 and 13.5)

Fig. 13.4

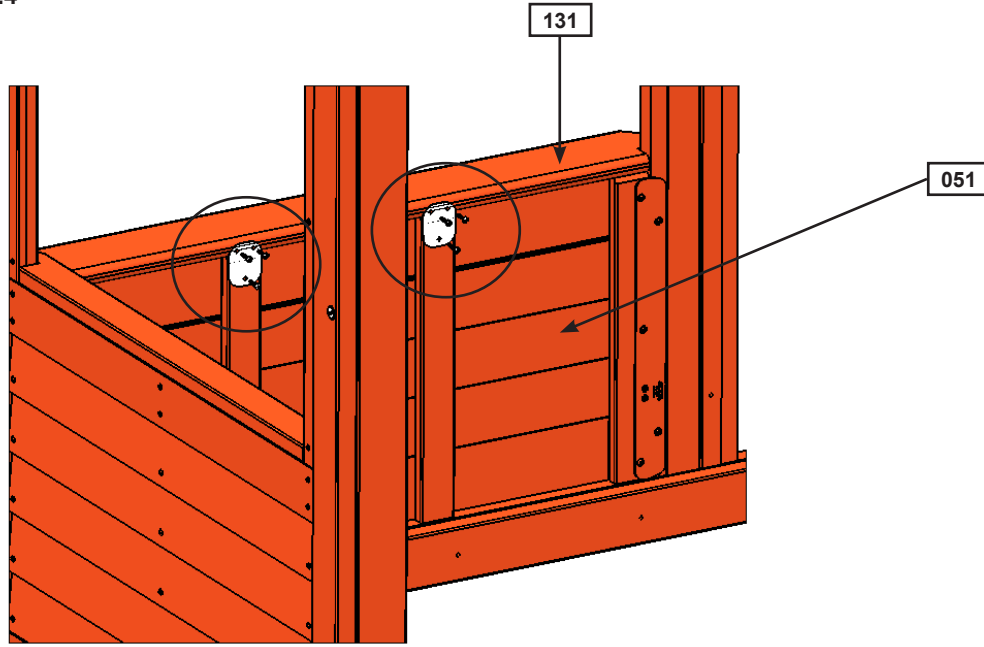
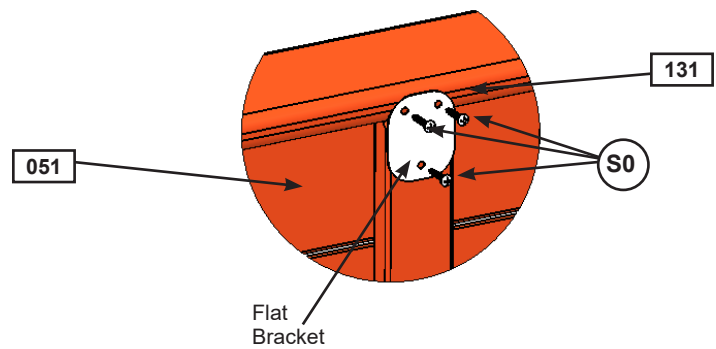


Fig. 13.5
Inside View



Hardware

6 x (S0) #8 x 7/8" Truss Screw

Other Parts

2 x Flat Bracket

Step 13: Front Wall Assembly Part 3

D: Place (134) Bell Top on top of (136) Bell Support so the angled and back edges are flush then attach with 3 (S20) #8 x 1-3/8" Wood Screws. Repeat by attaching (135) Bell Top RT to top of (136) Bell Support. Rounded ends of (134) Bell Top and (135) Bell Top RT are at the bottom. (fig. 13.6 and 13.7)

E: Centred above the door on (042) Narrow Front Panel place each Bell Support Assembly so they are tight and form a peak then attach to (042) Narrow Front Panel with 1 (S3) #8 x 2-1/2" Wood Screw and 1 (S11) #8 x 2" Wood Screw per assembly. (fig. 13.8)

Fig. 13.6
Top View

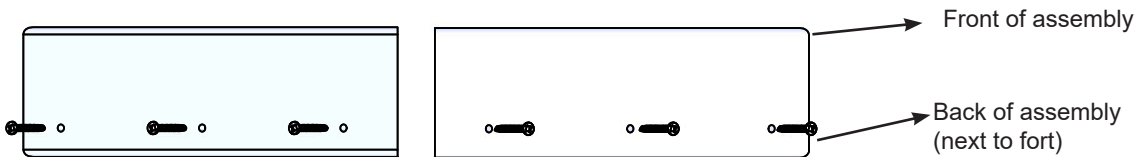


Fig. 13.7

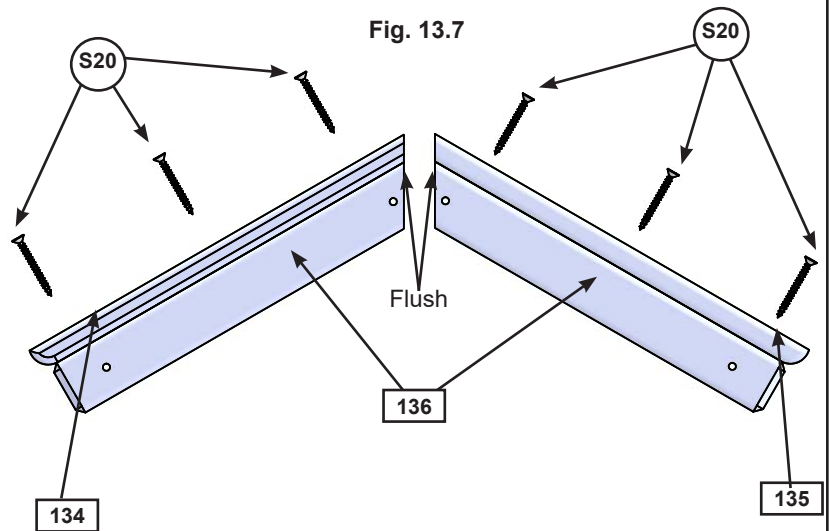
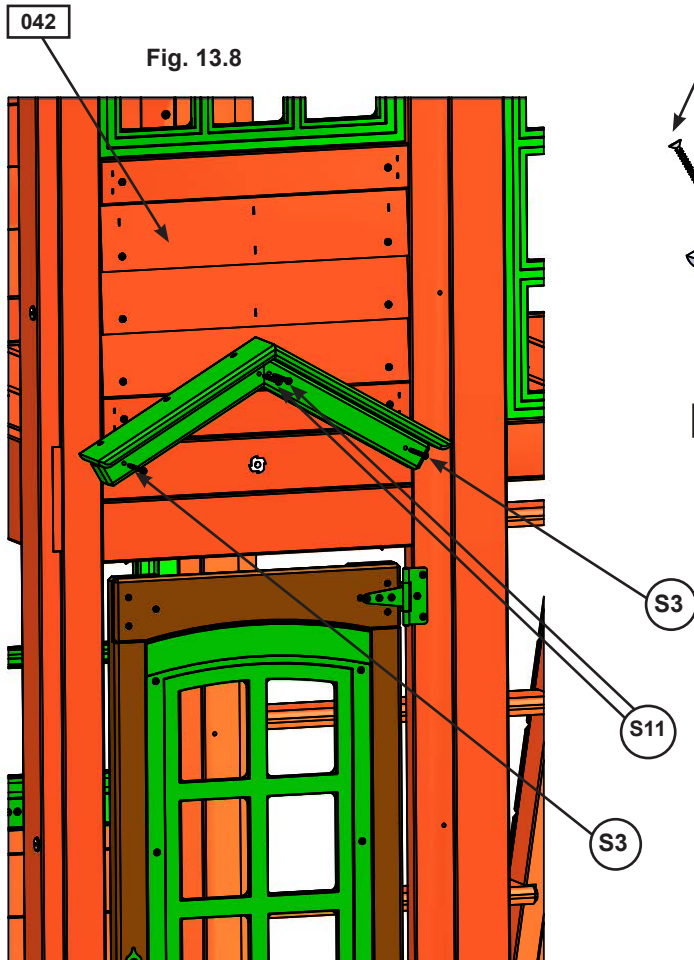


Fig. 13.8



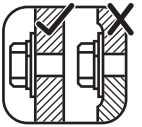
Wood Parts

- 1 x 134 Bell Top 5/8 x 3-3/8 x 11-1/4"
- 1 x 135 Bell Top RT 5/8 x 3-3/8 x 11-1/4"
- 2 x 136 Bell Support 1-1/2 x 1-1/2 x 10-5/8"

Hardware

- 2 x S11 #8 x 2" Wood Screw
- 6 x S20 #8 x 1-3/8" Wood Screw
- 2 x S3 #8 x 2-1/2" Wood Screw

Step 14: Swing Beam Assembly Part 1

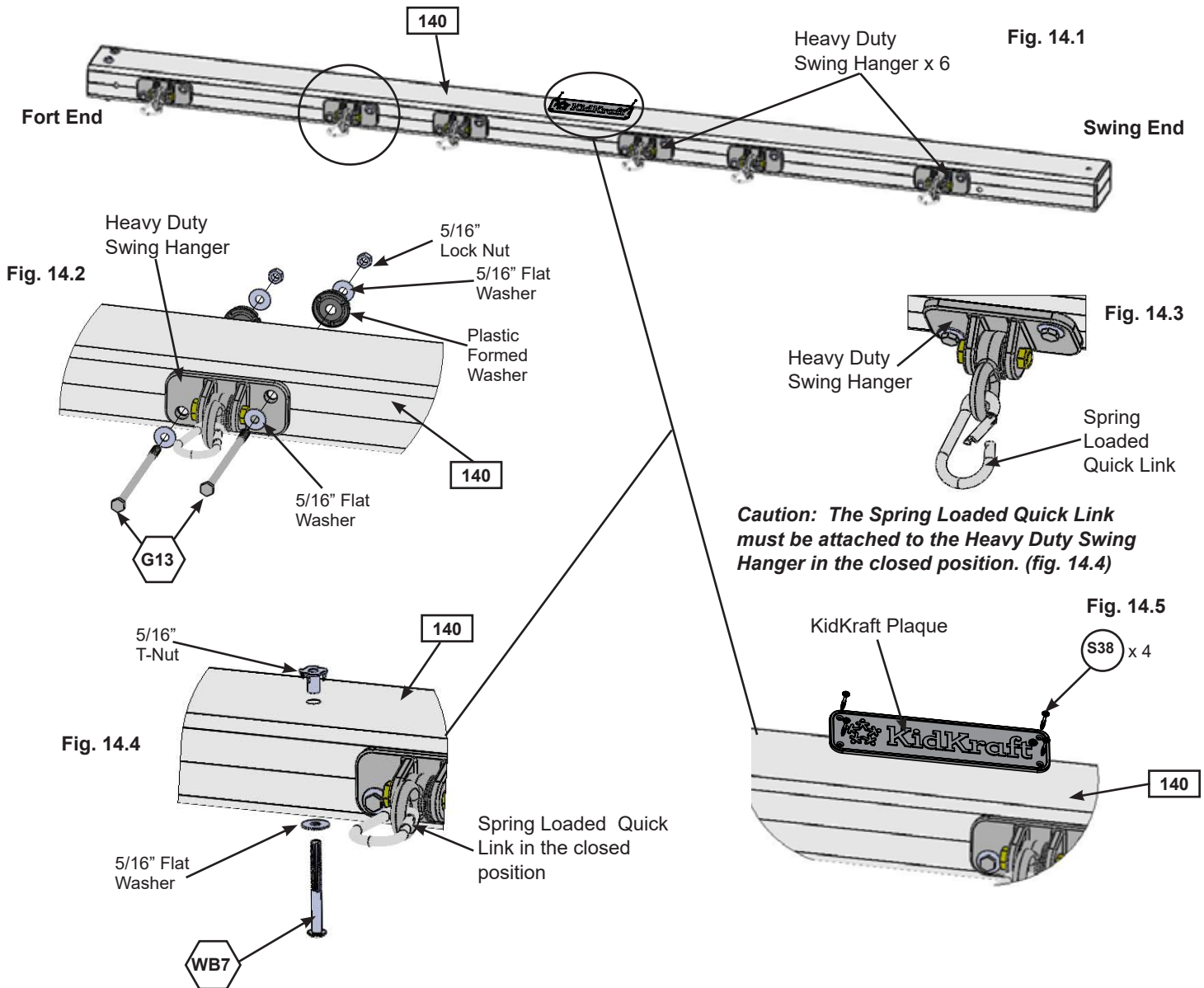


A: Attach 6 Heavy Duty Swing Hangers to (140) Engineered SW Beam using 2 (G13) 5/16 x 6-1/8" Hex Bolt (with 2 flat washers, plastic formed washer and lock nut) per swing hanger, as shown in fig. 14.1 and 14.2.

B: Attach 1 Spring Loaded Quick Link to each Heavy Duty Swing Hanger. (fig. 14.3)

C: Install 1 (WB7) 5/16 x 3" Wafer Bolt (with flat washer and t-nut) in the middle bolt hole, from the bottom up, in (140) Engineered SW Beam as shown in fig. 14.1 and 14.4. **IT IS IMPORTANT THAT THIS BOLT IS ATTACHED. IT WILL MINIMIZE CHECKING OF WOOD.**

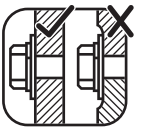
D: Attach KidKraft Plaque to centre of (140) Engineered SW Beam (over top of t-nut) using 4 (S38) #7 x 1-1/8" Pan Screws. (fig. 14.5)



Caution: The Spring Loaded Quick Link must be attached to the Heavy Duty Swing Hanger in the closed position. (fig. 14.4)

Wood Parts	Hardware	Other Parts
1 x (140) Engineered SW Beam 4 x 6 x 92"	12 x (G13) 5/16 x 6-1/8" Hex Bolt (5/16" flat washer x 2, 5/16" lock nut & plastic formed washer)	6 x Heavy Duty Swing Hangers
	1 x (WB7) 5/16 x 3" Wafer Bolt (5/16" flat washer, 5/16" t-nut)	6 x Spring Loaded Quick Link
	4 x (S38) #7 x 1-1/8" Pan Screw	1 x KidKraft Plaque

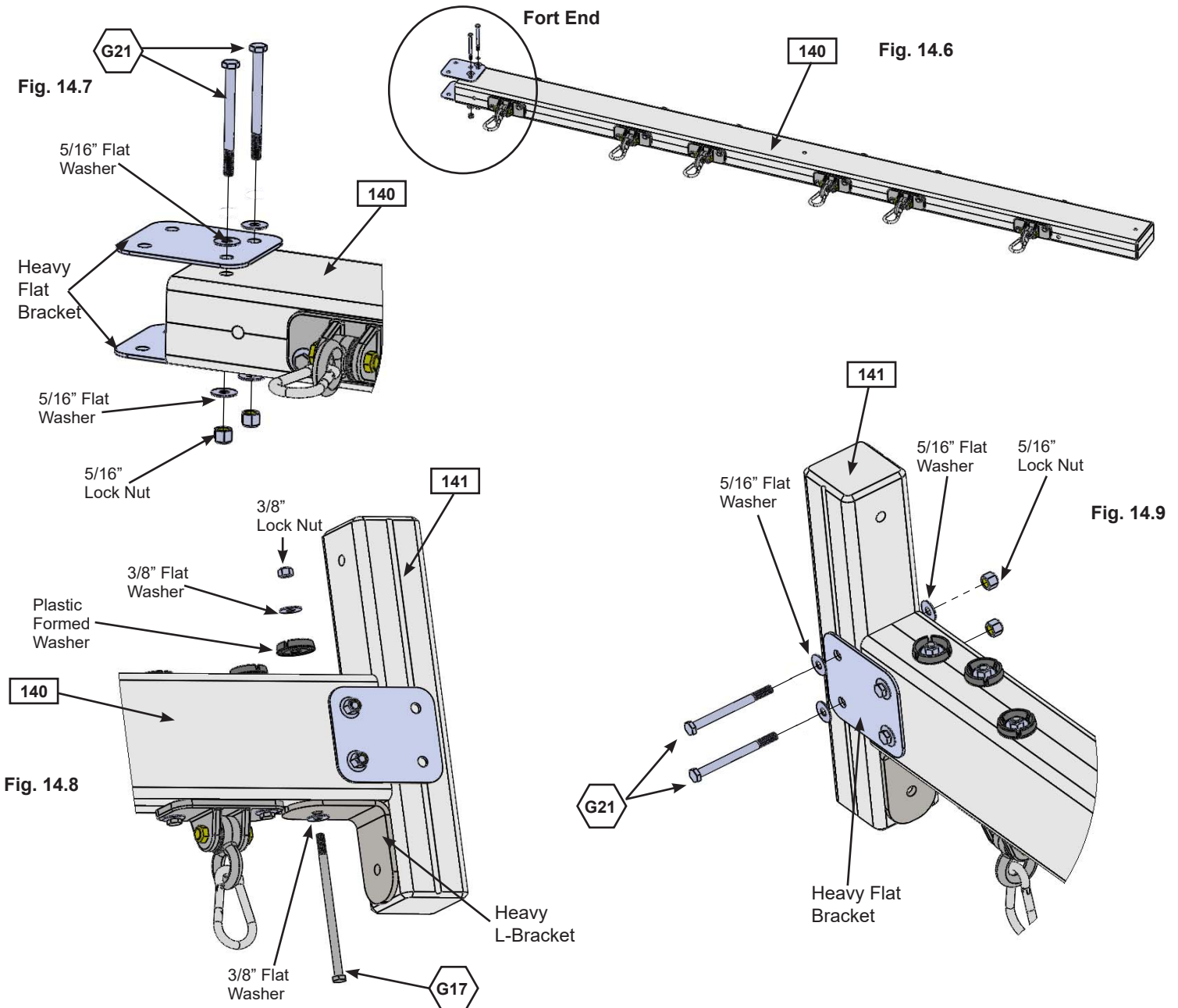
Step 14: Swing Beam Assembly Part 2



E: On the Fort End of (140) Engineered SW Beam attach 2 Heavy Flat Brackets with 2 (G21) 5/16 x 3-3/4" Hex Bolts (with 2 flat washers and 1 lock nut). (fig. 14.6 and 14.7)

F: Place (141) SW Mount in between both Heavy Flat Brackets and place 1 Heavy L-Bracket against (140) Engineered SW Beam and (141) SW Mount. Attach with 1 (G17) 3/8 x 6" Hex Bolt (with 2 flat washers, plastic formed washer and lock nut). (fig. 14.8)

G: Attach (141) SW Mount to Heavy Flat Brackets with 2 (G21) 5/16 x 3-3/4" Hex Bolts (with 2 flat washers and 1 lock nut). (fig. 14.9)



Wood Parts

1 x 141 SW Mount 4 x 4 x 16"

Hardware

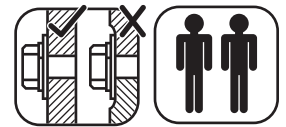
4 x G21 5/16 x 3-3/4" Hex Bolt
(5/16" flat washer x 2, 5/16" lock nut)

1 x G17 3/8 x 6" Hex Bolt
(3/8" flat washer x 2, plastic formed washer & 3/8" lock nut)

Other Parts

2 x Heavy Flat Bracket
1 x Heavy L-Bracket

Step 15: Swing Post Assembly Part 1



Note: Keep all bolts from Step 15 series loose until start of Step 17

A: Place (150) SW Block Angle on top of (151) Block SW and attach 2 Heavy L-Brackets on top of (150) SW Block Angle feeding 2 (G17) 3/8 x 6" Hex Bolts (with 2 flat washers, plastic formed washer and lock nut) through both boards as shown in fig. 15.1 and 15.2.

B: Attach 3 (WB7) 5/16 x 3" Wafer Bolts (with flat washer and t-nut) to all three holes in each (152) SW Post as shown in fig. 15.3. **IMPORTANT! MAKE SURE ALL 6 BOLTS ARE ATTACHED TO MINIMIZE CHECKING OF WOOD.**

C: Place (150) SW Block Angle and (151) Block SW assembly in between 2 (152) SW Post (Heavy L-Brackets towards the outside). Place 1 Heavy C-Bracket on the top (152) SW Post and attach with (G26) 3/8 x 9-1/4" Hex Bolt (with 2 flat washers and 1 lock nut), as shown in fig. 15.4.

Fig. 15.1
Bottom View

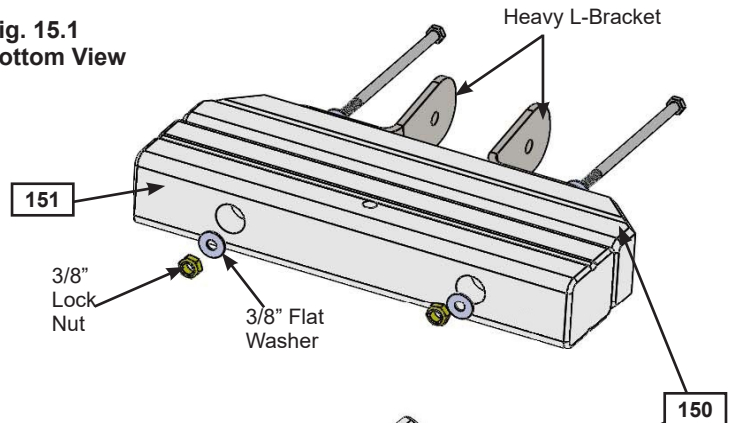


Fig. 15.2
Top View

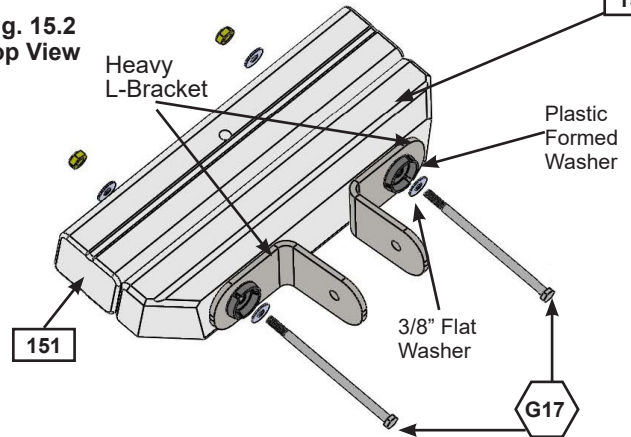


Fig. 15.3

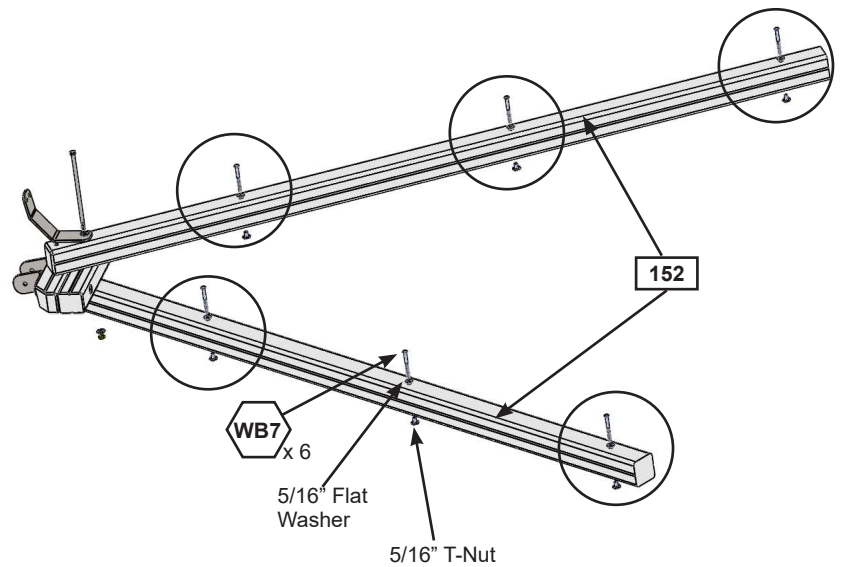
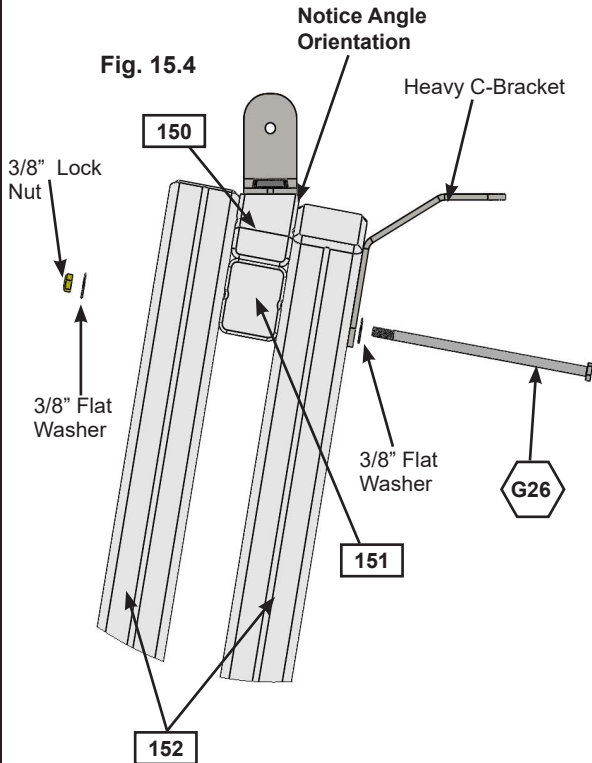


Fig. 15.4



Wood Parts

- 1 x 150 SW Block Angle 2-1/2 x 3 x 15"
- 1 x 151 Block SW 2-1/2 x 3 x 15"
- 2 x 152 SW Post 4 x 4 x 92"

Hardware

- 2 x G17 3/8 x 6" Hex Bolt (3/8" flat washer x 2, plastic formed washer & 3/8" lock nut)
- 1 x G26 3/8 x 9-1/4" Hex Bolt (3/8" flat washer x 2 & 3/8" lock nut)
- 6 x WB7 5/16 x 3" Wafer Bolt (5/16" flat washer & 5/16" t-nut)

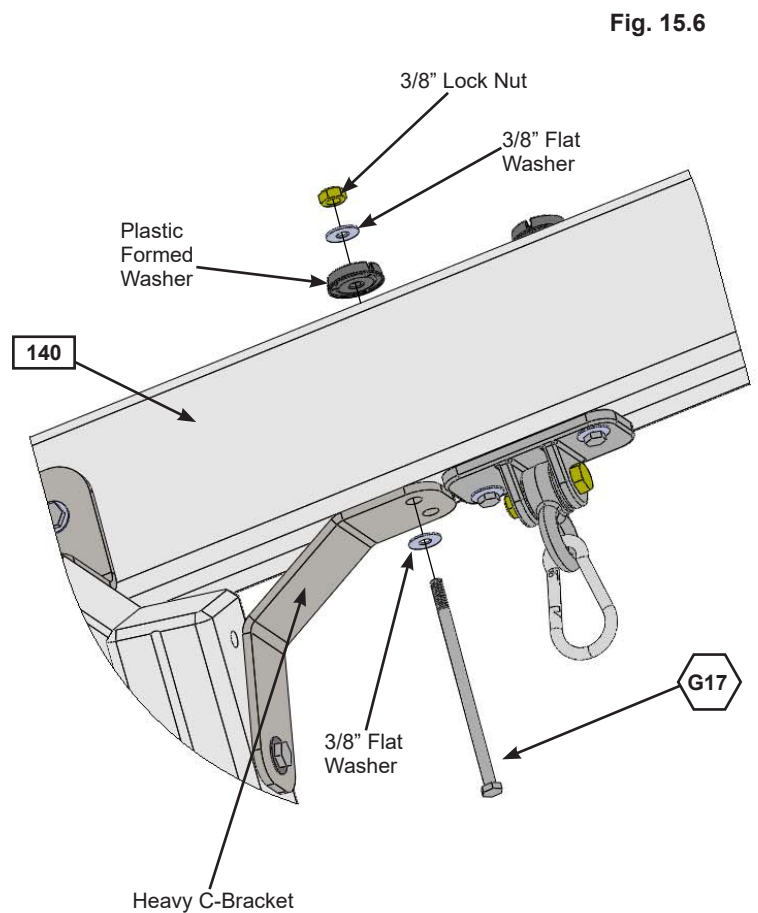
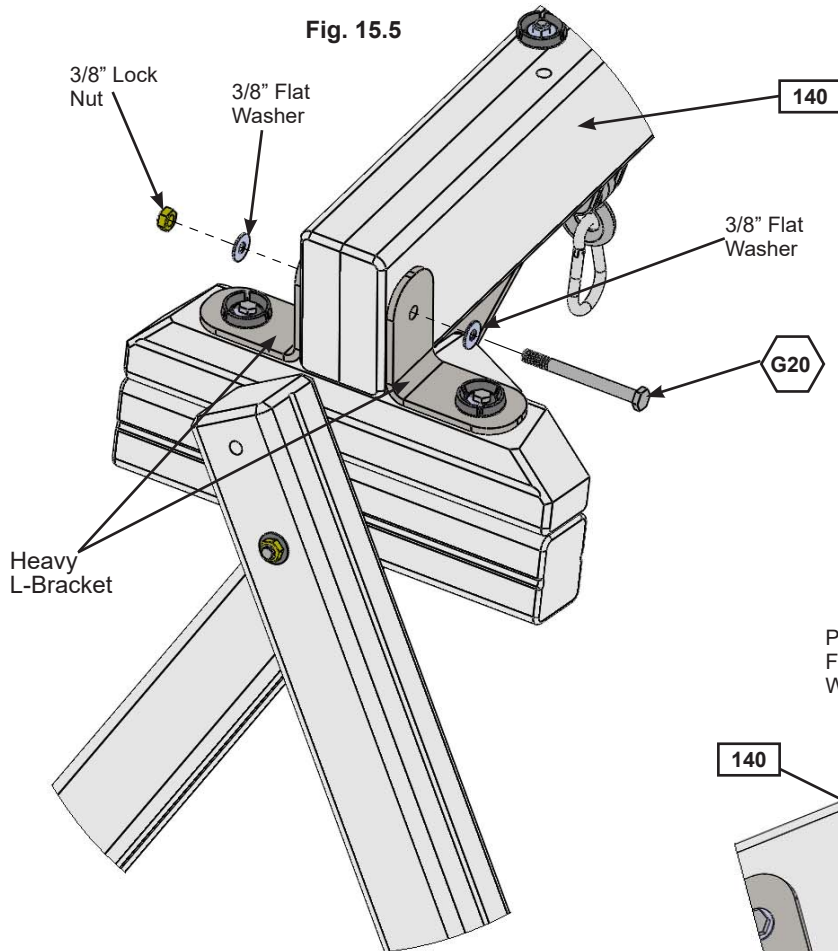
Other Parts

- 2 x Heavy L-Bracket
- 1 x Heavy C-Bracket



Step 15: Swing Post Assembly Part 2

D: Place Swing End of (140) Engineered SW Beam in between Heavy L-Brackets assembled in Step A making sure holes are lined up then attach Swing Post Assembly to Swing Beam Assembly using 1 (G20) 3/8 x 4" Hex Bolt (with 2 flat washers and lock nut) through Heavy L-Bracket. (fig. 15.5)

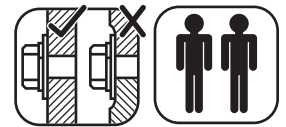
E: Attach (140) Engineered SW Beam to Heavy C-Bracket with 1 (G17) 3/8 x 6" Hex Bolt (with 2 flat washers, plastic formed washer and lock nut). (fig. 15.6)



Hardware

- 1 x  3/8 x 6" Hex Bolt
(3/8" flat washer x 2, plastic formed washer & 3/8" lock nut)
- 1 x  3/8 x 4" Hex Bolt
(3/8" flat washer x 2 & 3/8" lock nut)

Step 15: Swing Post Assembly Part 3



F: Place (141) SW Mount flush to the top of (050) SW Wall Panel. Attach with 1 (G5) 5/16 x 4-1/2" Hex Bolt (with lock washer, flat washer and t-nut) in the bottom hole from outside the assembly and 1 (G6) 5/16 x 4-3/4" Hex Bolt (with 2 x flat washer and 1 lock nut) in the top hole from inside the assembly. (fig. 15.7 and 15.8)

Fig. 15.7

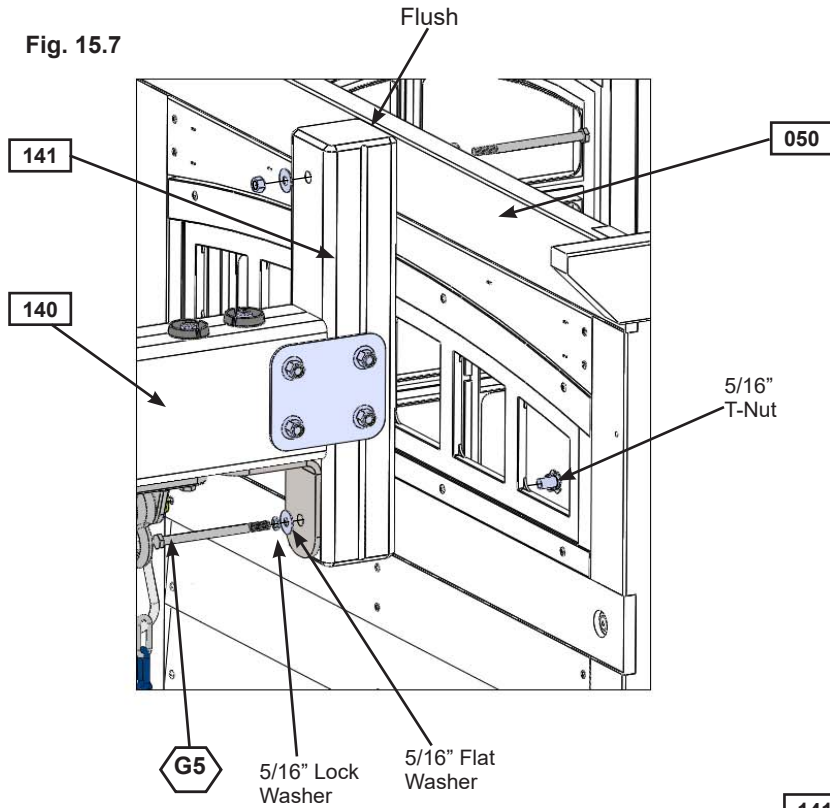
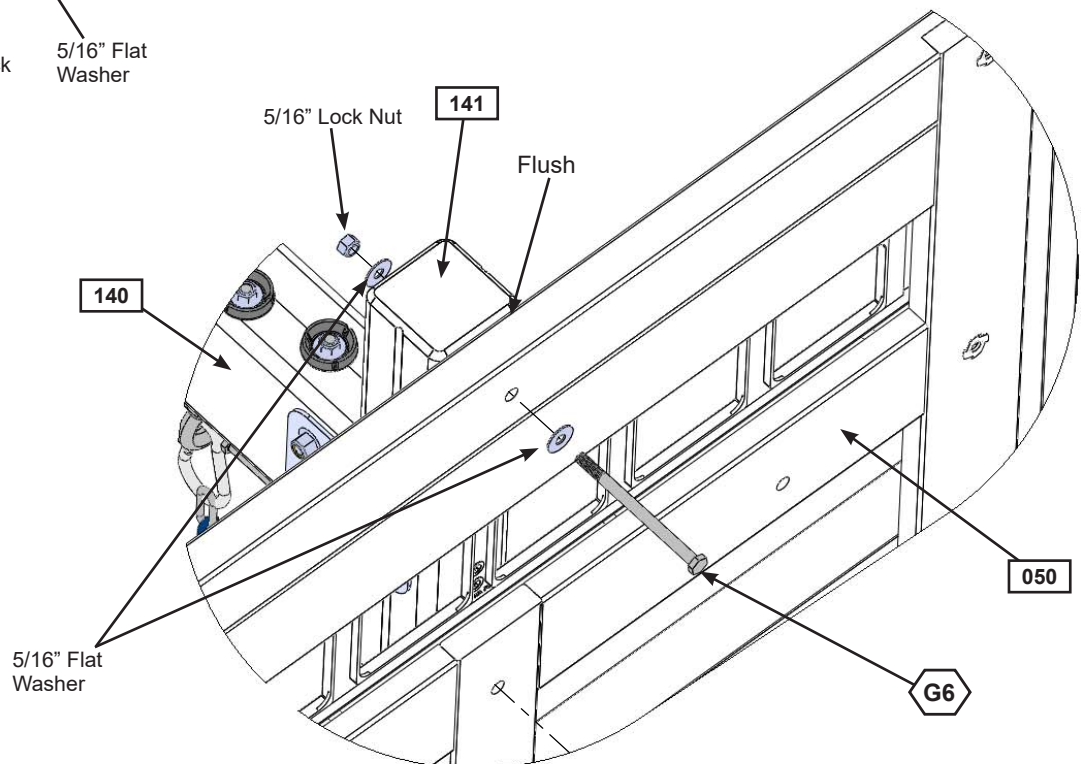


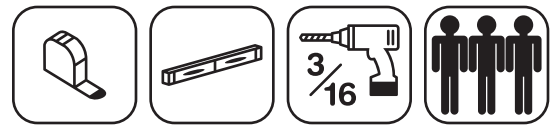
Fig. 15.8



Hardware

- 1 x **G5** 5/16 x 4-1/2" Hex Bolt
(5/16" lock washer, 5/16" flat washer, 5/16" t-nut)
- 1 x **G6** 5/16 x 4-3/4" Hex Bolt
(5/16" flat washer x 2, 5/16" lock nut)

Step 16: Attach Cross Support



Pre-drill all holes using a 3/16" drill bit before installing the lag screws.

A: To adjust for uneven ground, raise or lower the (160) Support Cross on the (152) SW Post. Make sure the Support Cross is level prior to attaching with the lag screws. (fig. 16.1 and 16.2)

B: Place (160) Support Cross between (152) SW Posts at the previously determined spot and fasten with 1 (LS9) 5/16 x 4-3/4" Lag Screw (with flat washer) per side. (fig. 16.2 and 16.3) **Notice one side is fastened on the outside and one on the inside. It is important that each side is positioned exactly the same as the diagram. (fig. 16.3) Tighten the lag screw when you are sure (160) Support Cross is level.**

C: Attach 1 (WB8) 5/16 x 2-3/8" Wafer Bolt (with flat washer and t-nut) to (160) Support Cross through the middle hole. (fig. 16.2 and 16.3) **IMPORTANT! MAKE SURE THE BOLT IS ATTACHED TO MINIMIZE CHECKING OF WOOD.**

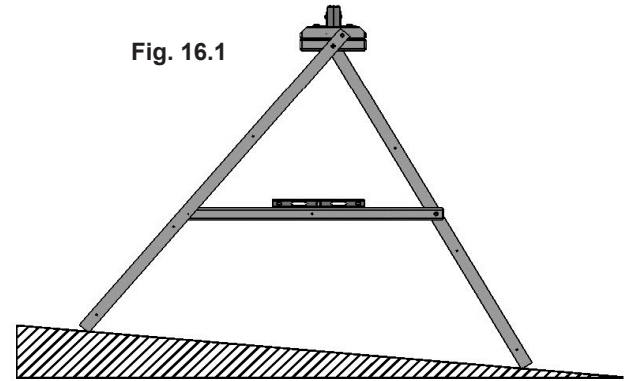


Fig. 16.1

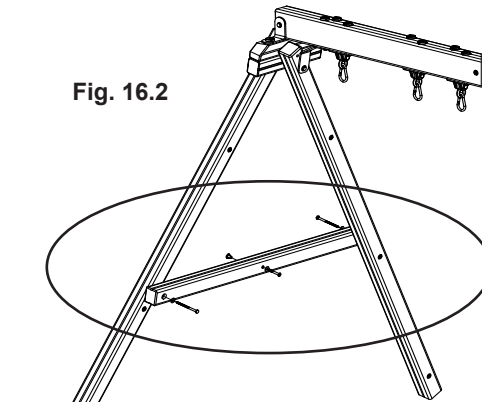


Fig. 16.2

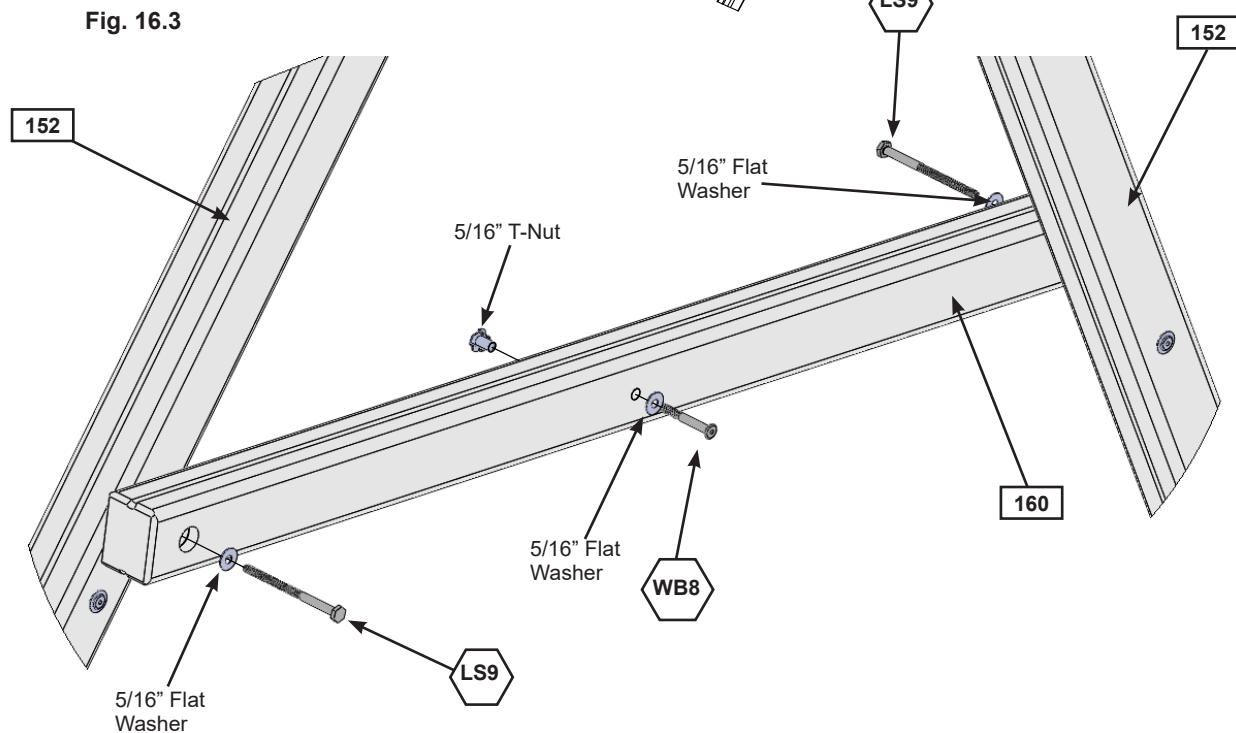


Fig. 16.3

Wood Parts

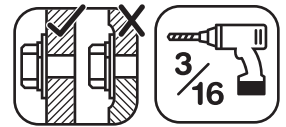
1 x **160** Support Cross 2-1/2 x 3 x 51"

Hardware

2 x **LS9** 5/16 x 4-3/4" Lag Screw
(5/16" flat washer)

1 x **WB8** 5/16 x 2-3/8" Wafer Bolt
(5/16" flat washer, 5/16" t-nut)

Step 17: Final Swing Post Assembly

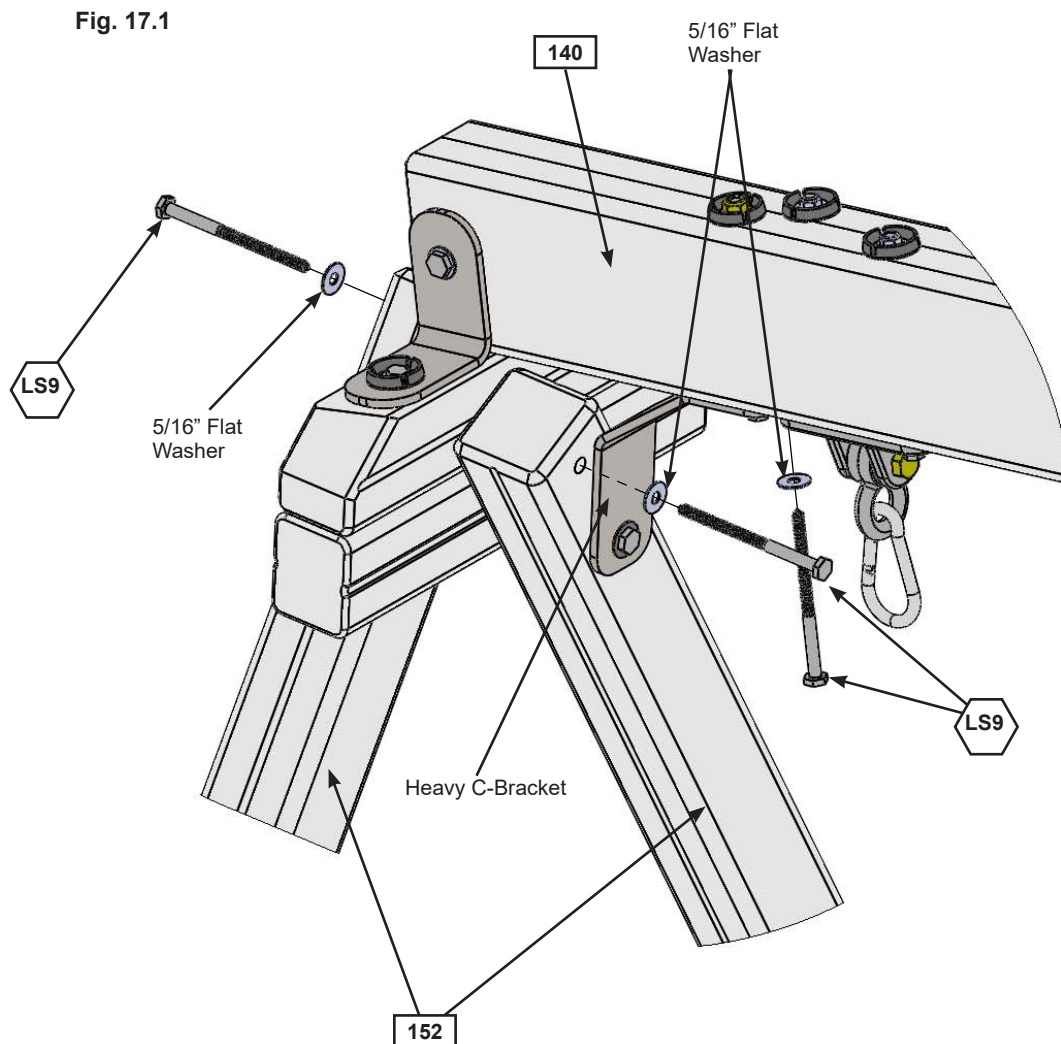


Pre-drill all holes using a 3/16" drill bit before installing the lag screws.


Note: Tighten all bolts from Step 15 series before installing lag screws.

A: Attach 1 (LS9) 5/16 x 4-3/4" Lag Screw (with flat washer) into each (152) SW Post, as shown in fig. 17.1.

B: Attach 1 (LS9) 5/16 x 4-3/4" Lag Screw (with flat washer) into remaining hole of the Heavy C-Bracket into (140) Engineered SW Beam. (fig. 17.1)



Hardware

3 x  5/16 x 4-3/4" Lag Screw
(5/16" flat washer)

Step 18: Install Ground Stakes

MOVE FORT TO FINAL LOCATION PRIOR TO STAKING **FINAL LOCATION MUST BE LEVEL GROUND**

A: In the 5 places shown in fig. 18.1 drive the Rebar Ground Stakes 13" into the ground against (091) Diagonal, (093) Diagonal, (024) Rock Rail and both (152) SW Posts. Be careful not to hit the washer while hammering stakes into the ground as this could cause the washer to break off.

B: Attach ground stakes using 1 (S7) #12 x 2" Pan Screw per ground stake as shown in fig. 18.2.

C: After driving stakes into the ground, check for sharp edges caused by the impact of the hammer. Smooth any sharp edges from impact area and touch up with outdoor paint.

⚠ Warning! To prevent tipping and avoid potential injury, stakes must be driven 13" into ground. Digging or driving stakes can be dangerous if you do not check first for under-ground wiring, cables or gas lines.

Fig. 18.1

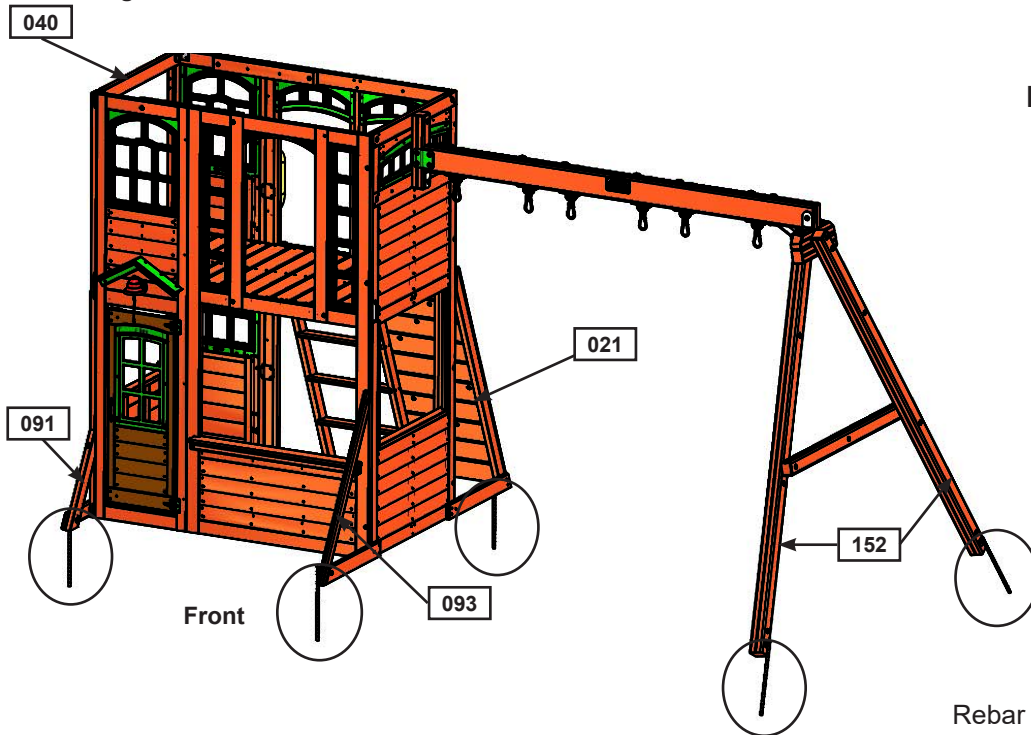
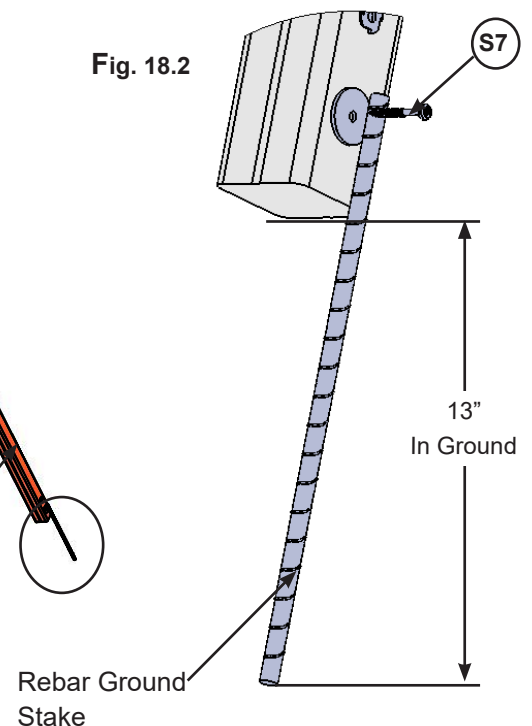


Fig. 18.2



**SEE FRONT COVER FOR
SAFETY CLEARANCE**

Hardware

5 x (S7) #12 x 2" Pan Screw

Other Parts

5 x Rebar Ground Stake

Step 19: Lower Crowsnest Assembly Part 1

A: Attach 1 (190) Crowsnest Gusset to 1 (191) Crowsnest Joist so the bottoms and ends are flush with 1 (S7) #12 x 2" Pan Screw. Repeat to make a second set with the (191) Crowsnest Joist on the opposite side from the first. (fig. 19.1 and 19.2)

Fig. 19.1

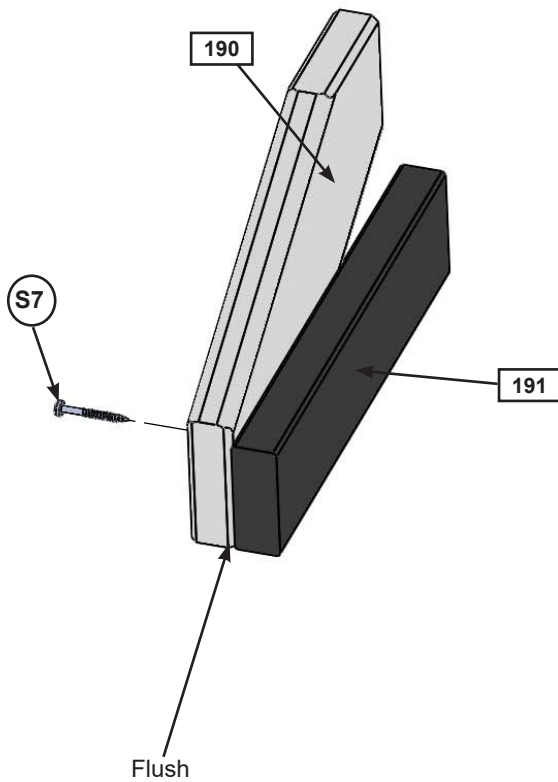
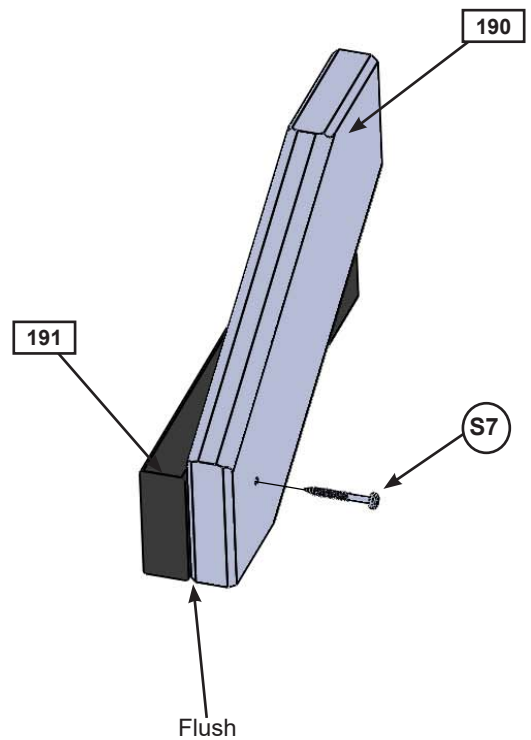


Fig. 19.2



Wood Parts

- 2 x 190 Crowsnest Gusset 2 x 6 x 15"
- 2 x 191 Crowsnest Joist 2 x 4 x 13-1/2"

Hardware

- 2 x S7 #12 x 2" Pan Screw

Step 19: Lower Crowsnest Assembly Part 2

B: Place (192) Crowsnest Back against the ends of (191) Crowsnest Joists so the tops are flush then attach with 4 (S3) #8 x 2-1/2" Wood Screws. (fig. 19.3 and 19.4)

Fig. 19.3

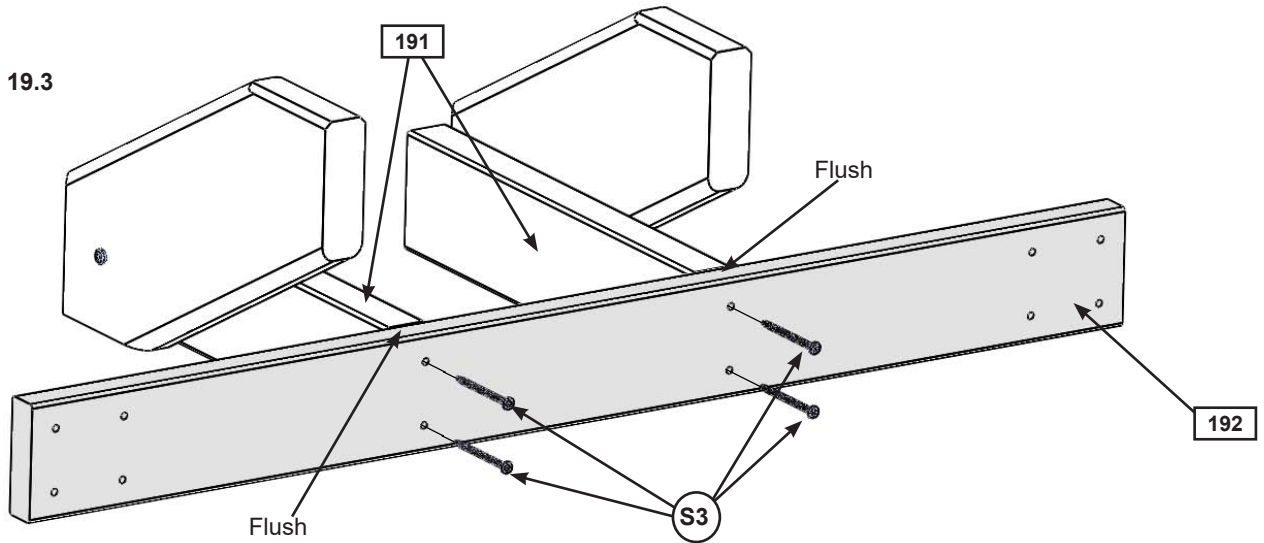
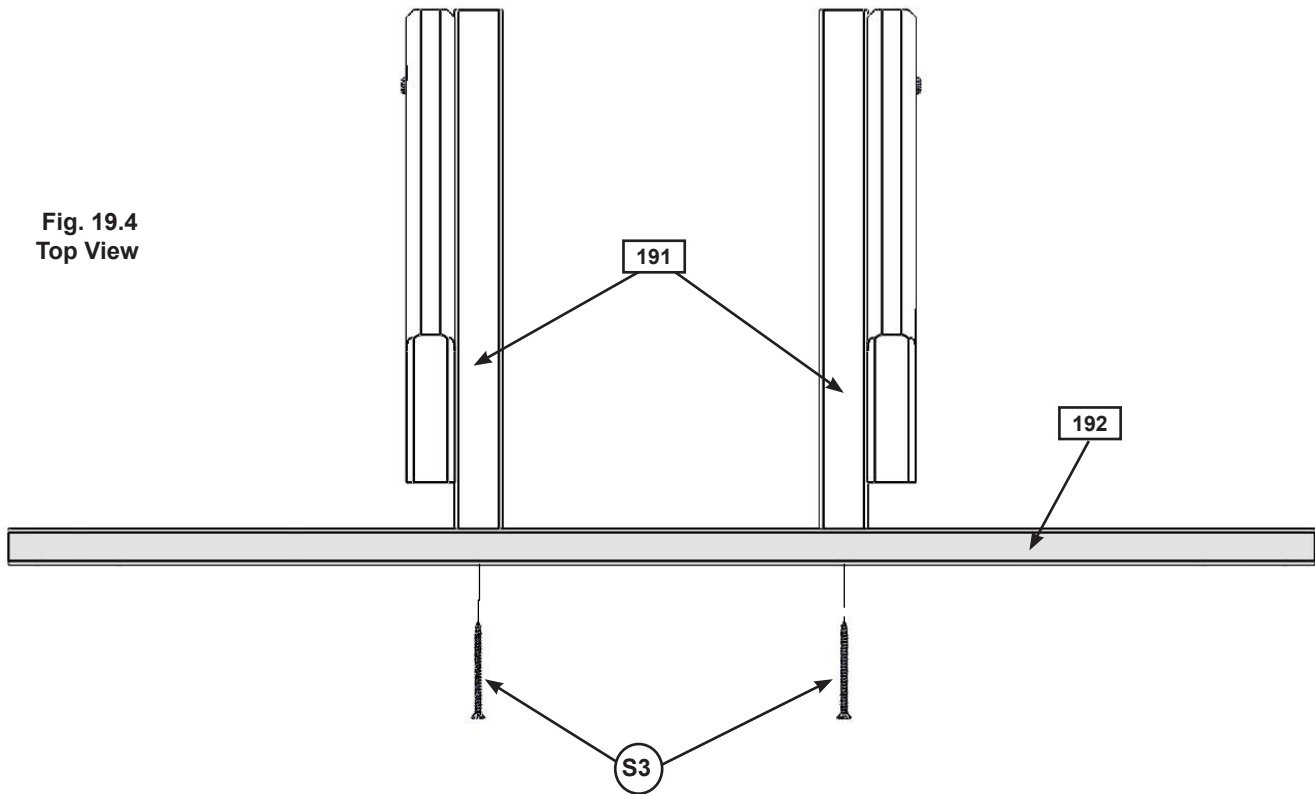


Fig. 19.4
Top View



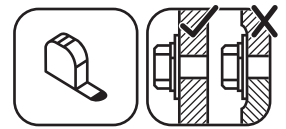
Wood Parts

1 x 192 Crowsnest Back 5/4 x 4 x 34"

Hardware

4 x S3 #8 x 2-1/2" Wood Screw

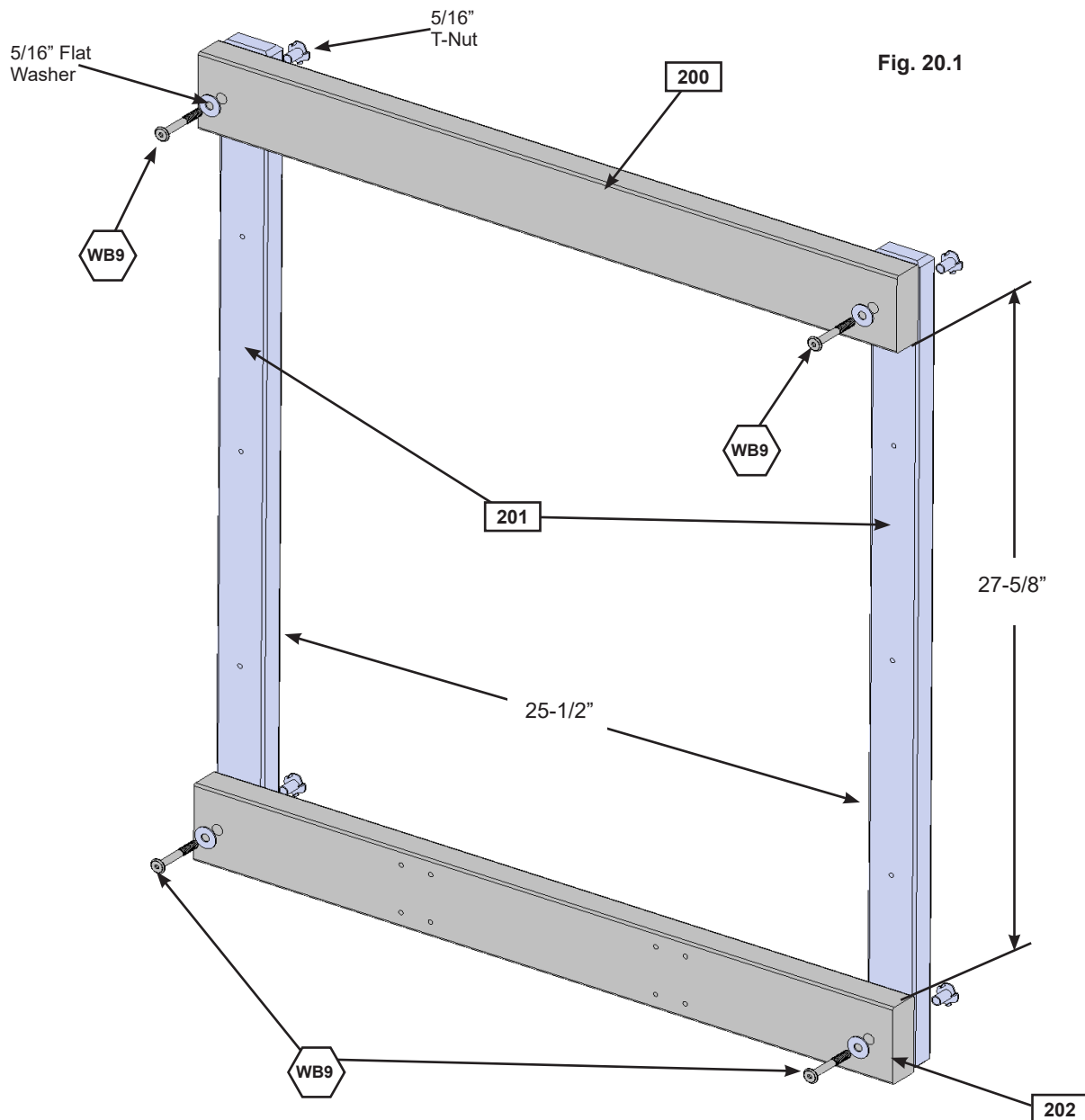
Step 20: Upper Crowsnest Assembly Part 1



A: Loosely attach (200) Crowsnest Top to 2 (201) Upright Crowsnest using 2 (WB9) 5/16 x 2-1/8" Wafer Bolts (with flat washer and t-nut). The distance between uprights must be 25-1/2". (fig. 20.1)

B: Loosely attach (202) Crowsnest Front to each (201) Upright Crowsnest using 2 (WB9) 5/16 x 2-1/8" Wafer Bolts (with flat washer and t-nut). The distance between (200) Crowsnest Top and (202) Crowsnest Front must be 27-5/8" (fig. 20.1)

C: Double check the dimensions then tighten the bolts. It is important these dimensions are met so there are no issues in future steps.



Wood Parts

- 1 x 200 Crowsnest Top 2 x 4 x 29-1/2"
- 2 x 201 Upright Crowsnest 1 x 2 x 34-1/8"
- 1 x 202 Crowsnest Front 2 x 4 x 29-1/2"

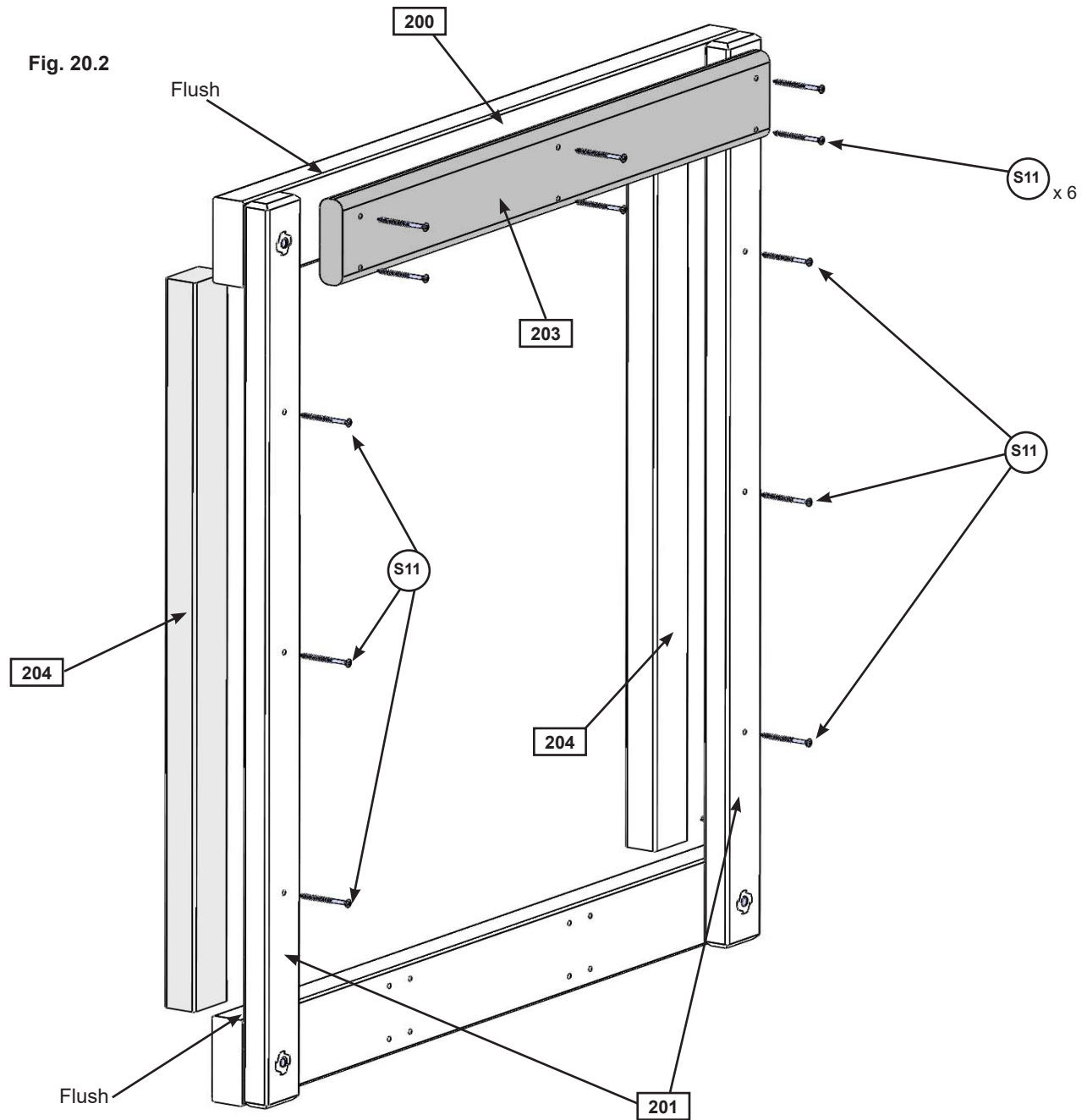
Hardware

- 4 x WB9 5/16 x 2-1/8" Wafer Bolt
(5/16" flat washer, 5/16" t-nut)

Step 20: Upper Crowsnest Assembly Part 2

D: Attach 1 (203) Crowsnest Short flush to the top of (200) Crowsnest Top using 6 (S11) #8 x 2" Wood Screws as shown in fig. 20.2.

E: Attach 1 (204) Crowsnest Spacer flush to the outside of each (201) Upright Crowsnest using 3 (S11) #8 x 2" Wood Screws per board as shown in fig. 20.2.



Wood Parts

- 1 x 203 Crowsnest Short 5/4 x 4 x 25-1/2"
- 2 x 204 Crowsnest Spacer 1-1/4 x 2 x 27-1/2"

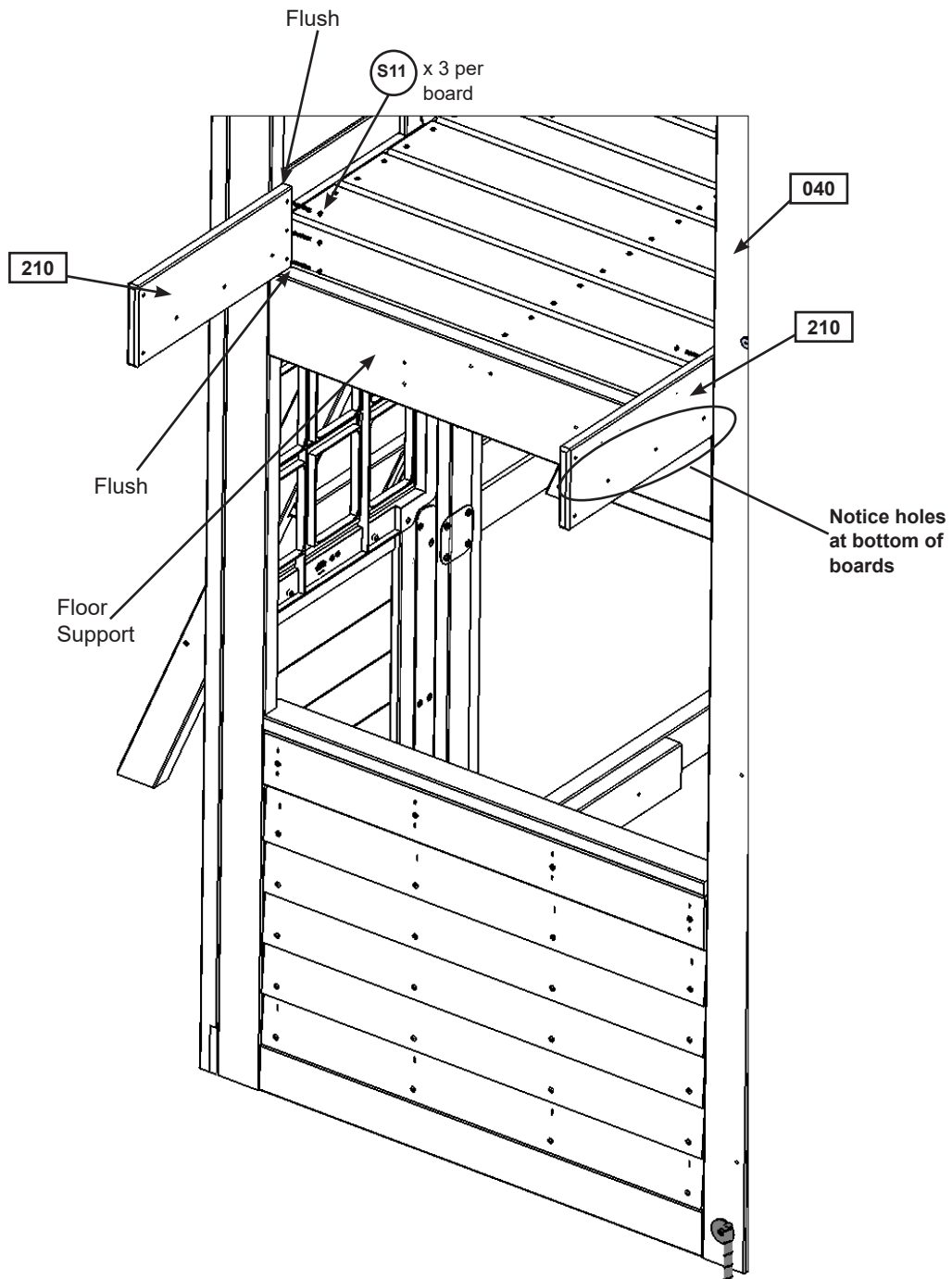
Hardware

- 12 x S11 #8 x 2" Wood Screw

Step 21: Crowsnest Assembly Part 1

A: Attach 1 (210) Crowsnest Bottom Side flush to the inside edge of the panel posts on (040) Slide End Panel and tight to the top of the floor support on (040) Slide End Panel using 3 (S11) #8 x 2" Wood Screws per side. Notice pilot holes towards bottom of boards. (fig. 21.1)

Fig. 21.1



Wood Parts

2 x 210 Crowsnest Bottom Side 3/4 x 5-1/4 x 14-3/4"

Hardware

6 x S11 #8 x 2" Wood Screw

Step 21: Crowsnest Assembly Part 2

B: Place the Lower Crowsnest Assembly from Step 19 centred in the opening of (040) Slide End Panel, in between (210) Crowsnest Bottom Sides, tight to the top of the floor boards then attach with 2 (S11) #8 x 2" Wood Screws per side. (fig. 21.2, 21.3 and 21.4)

Fig. 21.2

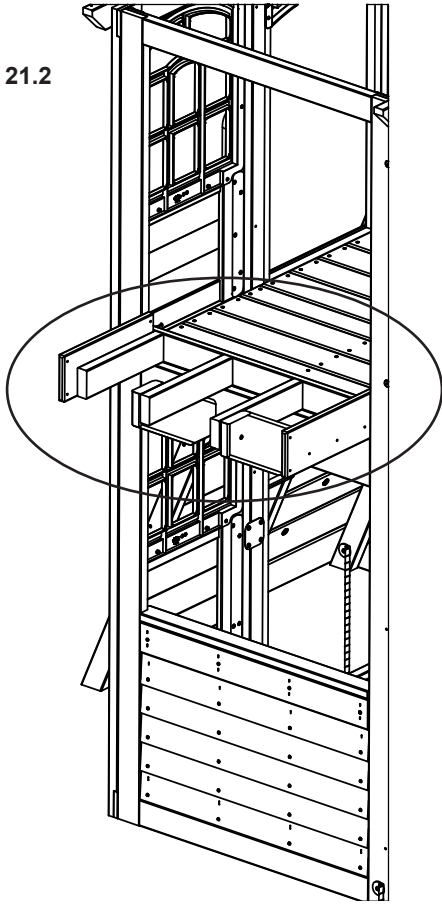


Fig. 21.3
Top View

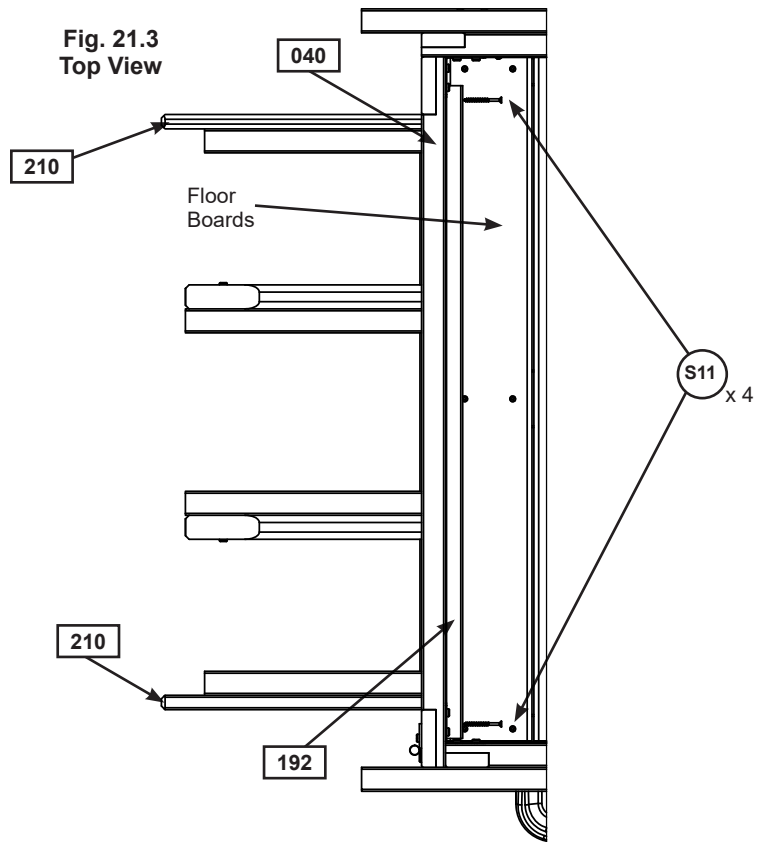
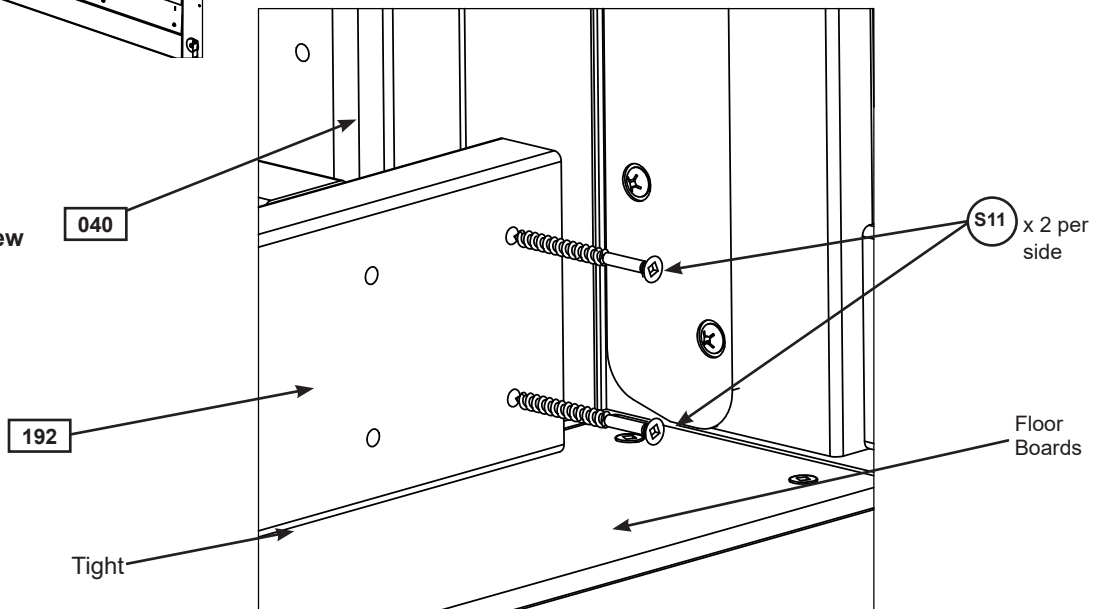


Fig. 21.4
Inside View



Hardware

4 x (S11) #8 x 2" Wood Screw

Step 21: Crowsnest Assembly Part 3

C: Attach 1 (211) Short Crowsnest Joist tight to (192) Crowsnest Back and flush to the bottom of each (210) Crowsnest Bottom Side using 3 (S20) #8 x 1-3/8" Wood Screws per board as shown in fig. 21.5. Screws to be installed from outside the assembly.

D: From inside the assembly attach (192) Crowsnest Back to each (211) Short Crowsnest Joist with 2 (S3) #8 x 2-1/2" Wood Screws per joist. (fig. 21.6)

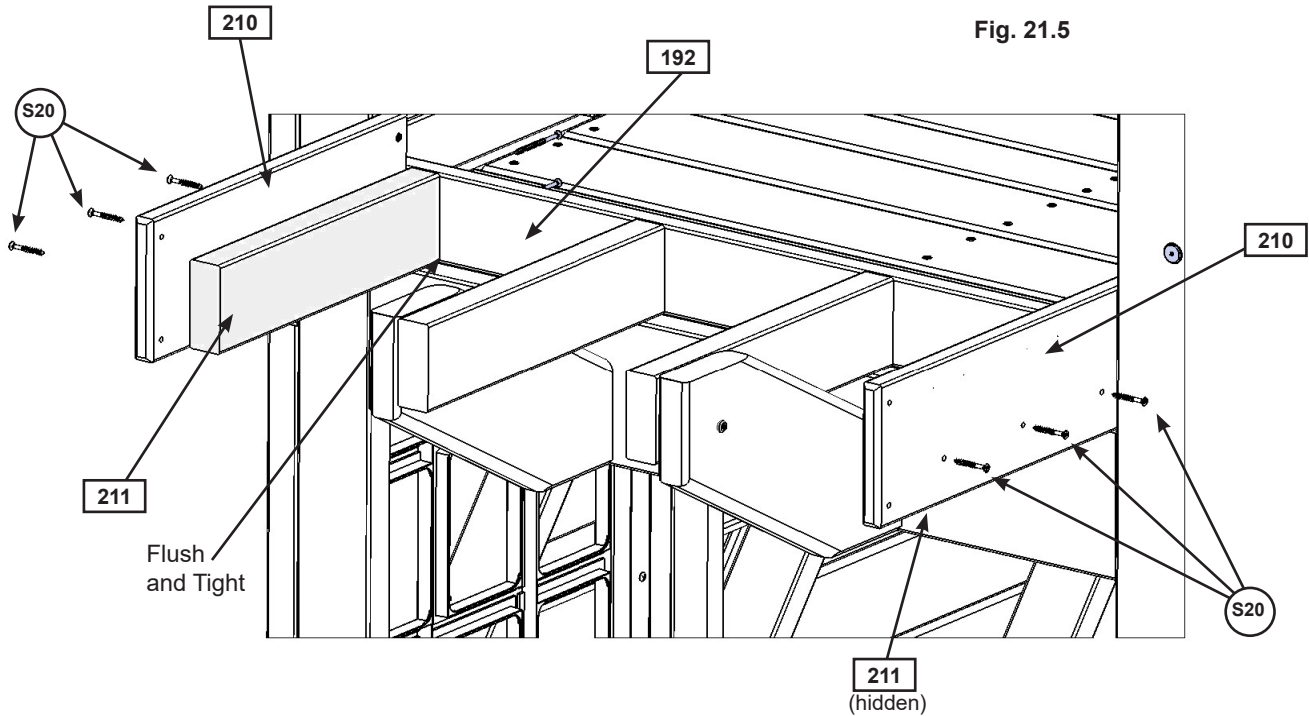
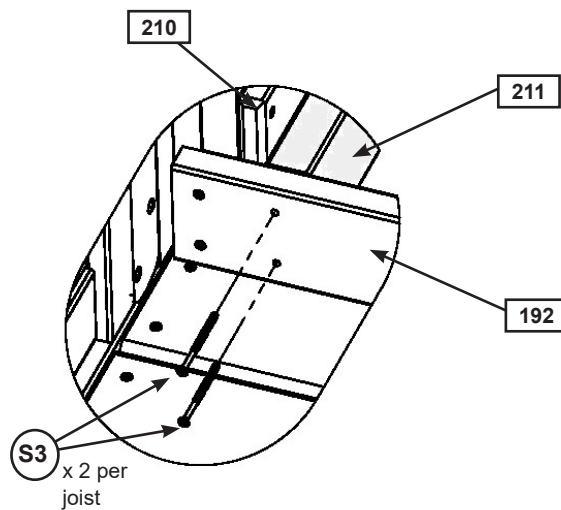


Fig. 21.6
Inside View



Wood Parts

2 x **211** Short Crowsnest Joist 2 x 4 x 12-1/2"

Hardware

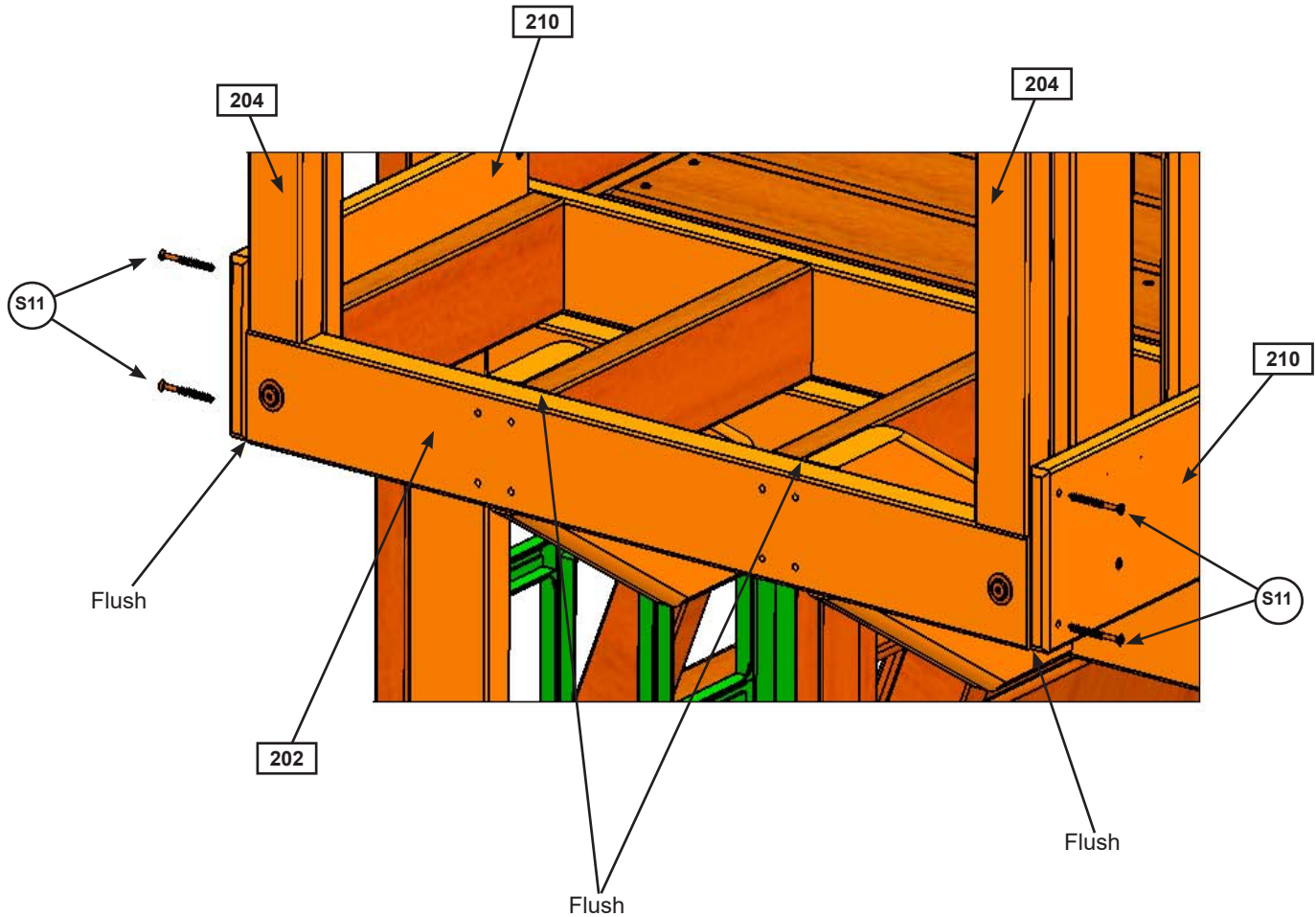
6 x **S20** #8 x 1-3/8" Wood Screw

4 x **S3** #8 x 2-1/2" Wood Screw

Step 21: Crowsnest Assembly Part 4

E: Place Upper Crowsnest Assembly from Step 20 in between (210) Crowsnest Bottom Sides so (202) Crowsnest Front is flush to the bottom and front of each (210) Crowsnest Bottom Side and to the tops of (190) Crowsnest Gussets and (191) Crowsnest Joists. Attach with 2 (S11) #8 x 2" Wood Screws per board. Screws go into (202) Crowsnest Front and (204) Crowsnest Spacer. (fig. 21.7)

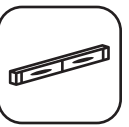
Fig. 21.7



Hardware

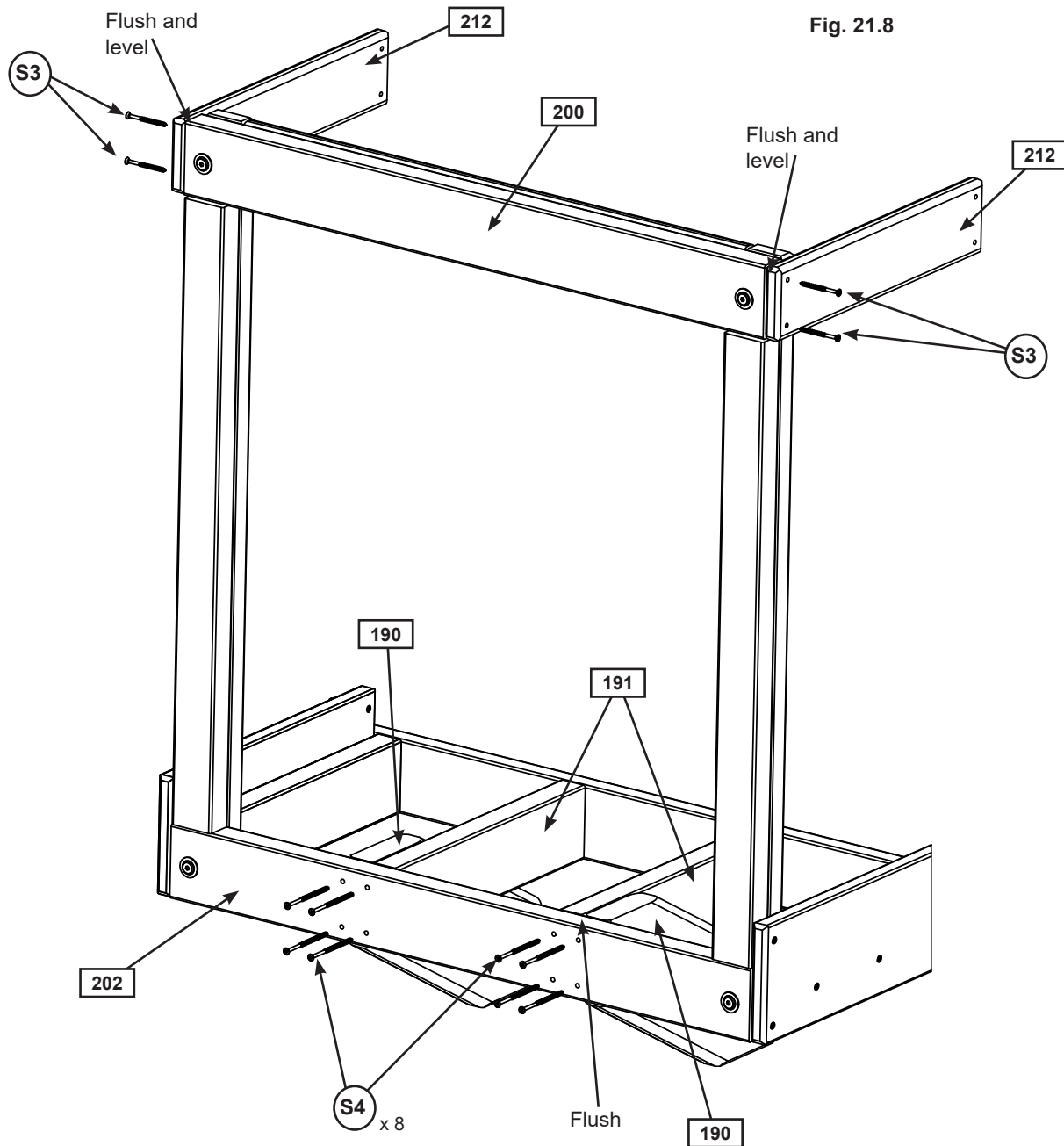
4 x (S11) #8 x 2" Wood Screw

Step 21: Crowsnest Assembly Part 5



F: Attach (202) Crowsnest Front flush to the top of each (190) Crowsnest Gusset and each (191) Crowsnest Joist with 8 (S4) #8 x 3" Wood Screws. (fig. 21.8)

G: Place 1 (212) Crowsnest Side flush to the top and front of (200) Crowsnest Top make sure each board is level then attach with 2 (S3) #8 x 2-1/2" Wood Screws per board. (fig. 21.8)



Wood Parts

2 x **212** Crowsnest Side 3/4 x 3-1/4 x 14-3/4"

Hardware

8 x **S4** #8 x 3" Wood Screw

4 x **S3** #8 x 2-1/2" Wood Screw

Step 21: Crowsnest Assembly Part 6



H: From inside the assembly attach (040) Slide End Panel to each (190) Crowsnest Gusset with 2 (S4) #8 x 3" Wood Screws per gusset. (fig. 21.9 and 21.10)

I: Double check that each (212) Crowsnest Side is level then attach to (040) Slide End Panel flush to the inside of the panel post with 2 (S3) #8 x 2-1/2" Wood Screws per board. (fig. 21.11)

Fig. 21.9
Top View

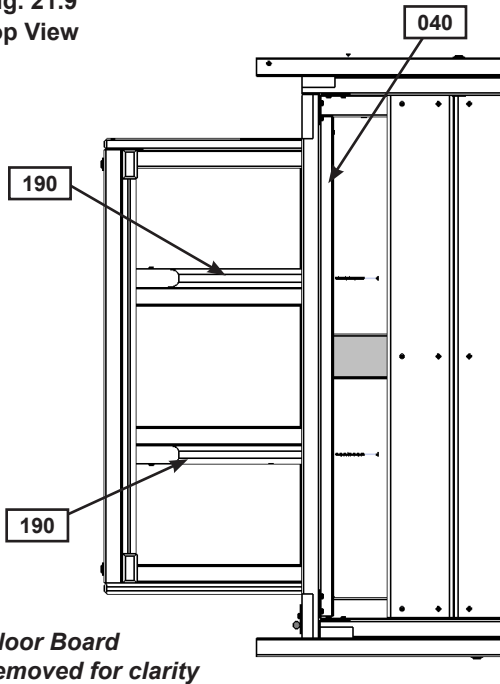


Fig. 21.10
Inside View

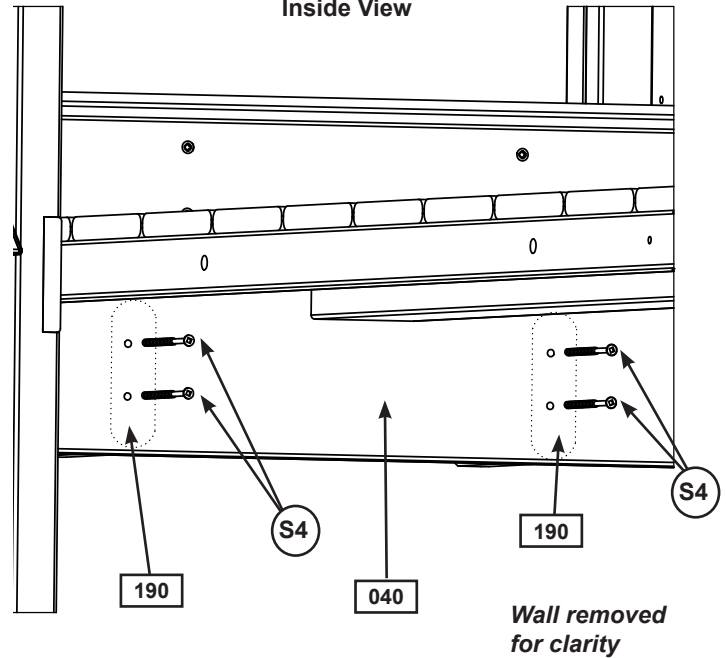
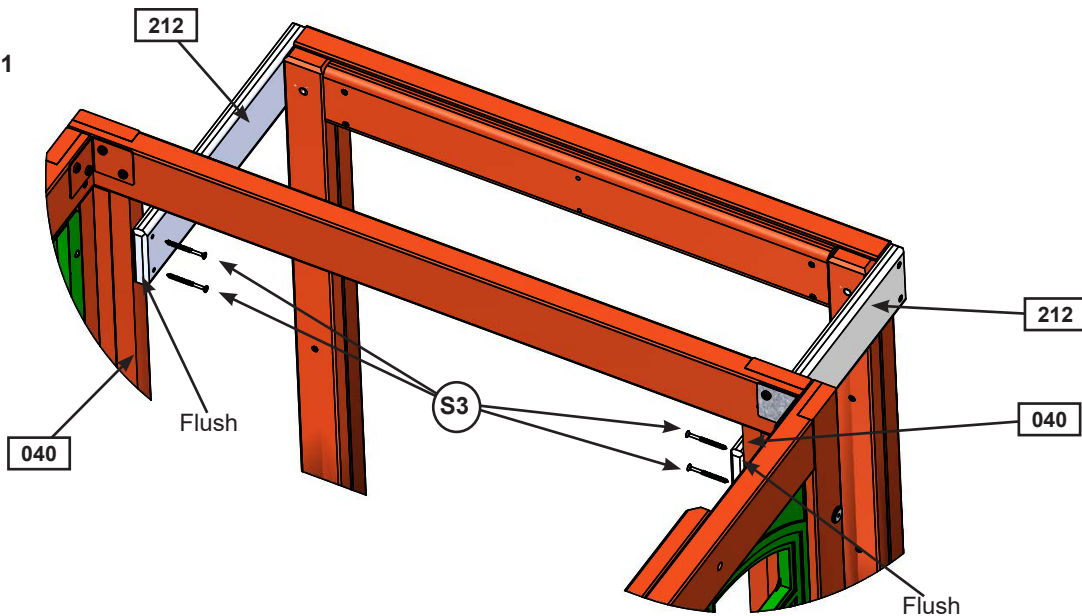




Fig. 21.11



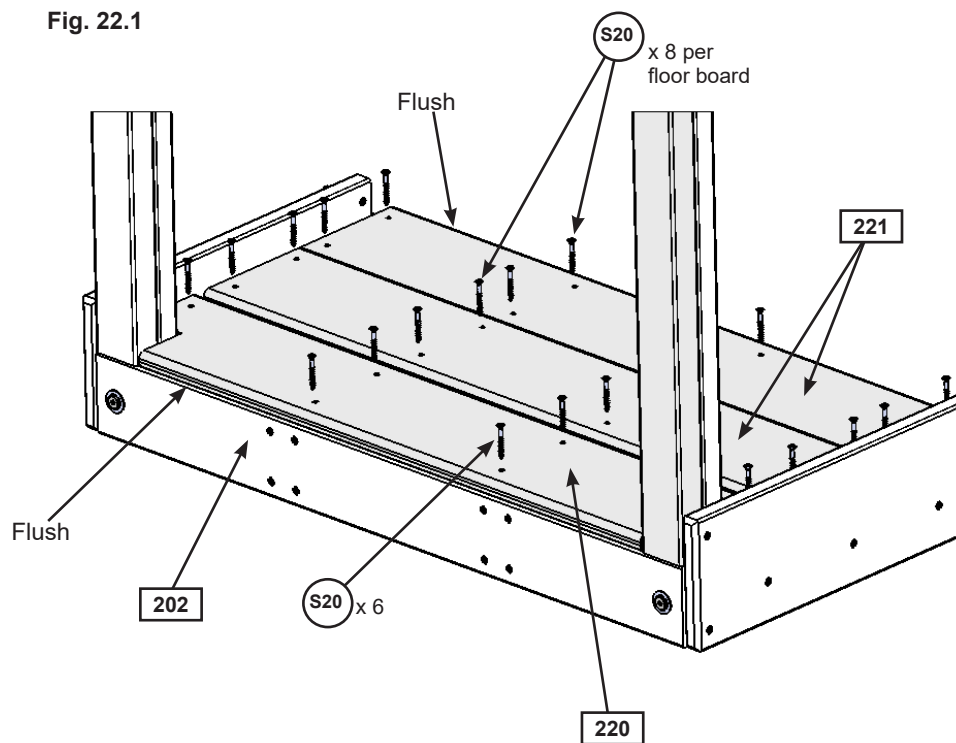
Hardware

- 4 x  #8 x 3" Wood Screw
- 4 x  #8 x 2-1/2" Wood Screw

Step 22: Crowsnest Floor Assembly

A: Lay down (220) Crowsnest Gap Board flush to front of (202) Crowsnest Front and (221) Crowsnest Floor flush to back of (192) Crowsnest Back. In between the gap and floor boards place another (221) Crowsnest Floor. (fig. 22.1)

B: Attach the (221) Crowsnest Floor Boards with 8 (S20) #8 x 1-3/8" Wood Screws per board and the (220) Crowsnest Gap Board with 6 (S20) #8 x 1-3/8" Wood Screws. (fig. 22.1)



Wood Parts

- 1 x 220 Crowsnest Gap Board 1 x 6 x 29-3/8"
- 2 x 221 Crowsnest Floor 1 x 6 x 29-3/8"

Hardware

- 22 x S20 #8 x 1-3/8" Wood Screw

Step 23: Crowsnest Wall Assembly



A: Tight to each (201) Upright Crowsnest and tight to the floor and gap boards attach 1 (230) Cedar Wall to each (210) Crowsnest Bottom Side and (212) Crowsnest Side with 4 (S1) #8 x 1-1/8" Wood Screws per board. (fig. 23.1)

B: Measure 2-1/4" from each (230) Cedar Wall then attach another (230) Cedar Wall per side, tight to the floor and gap boards using 4 (S1) #8 x 1-1/8" Wood Screws per board. (fig. 23.1)

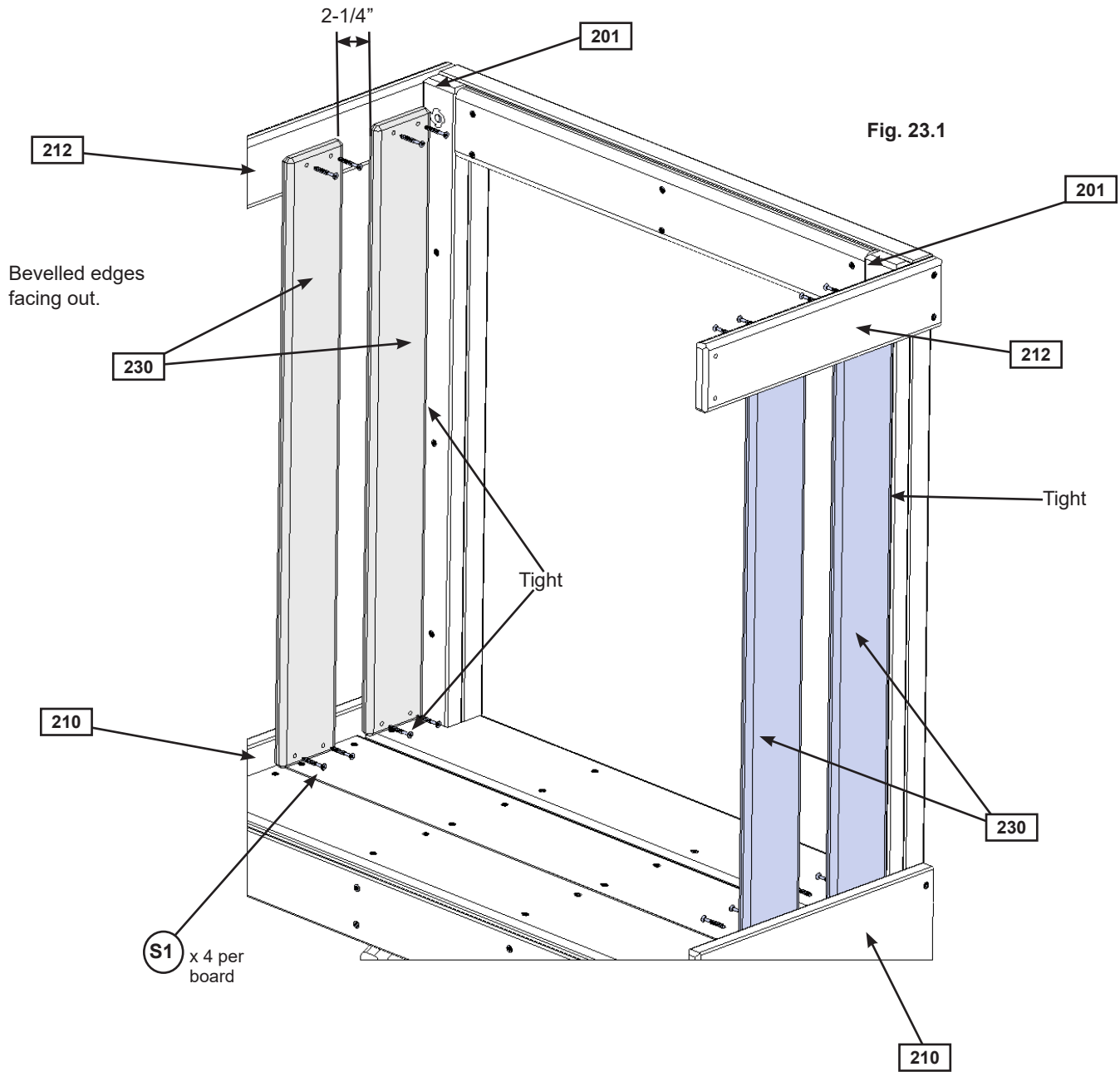


Fig. 23.1

Wood Parts

4 x 230 Cedar Wall 1 x 4 x 29"

Hardware

16 x S1 #8 x 1-1/8" Wood Screw

Step 24: Slide Section Assemblies Part 1

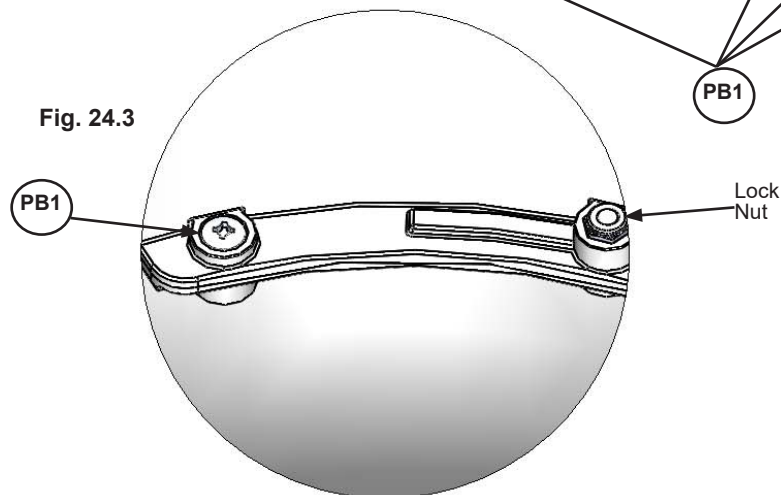
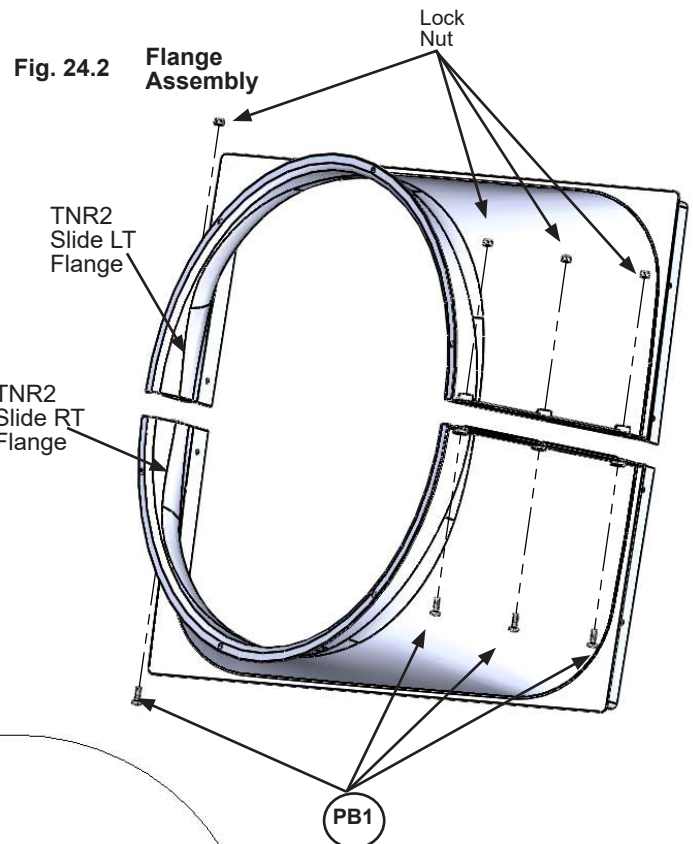
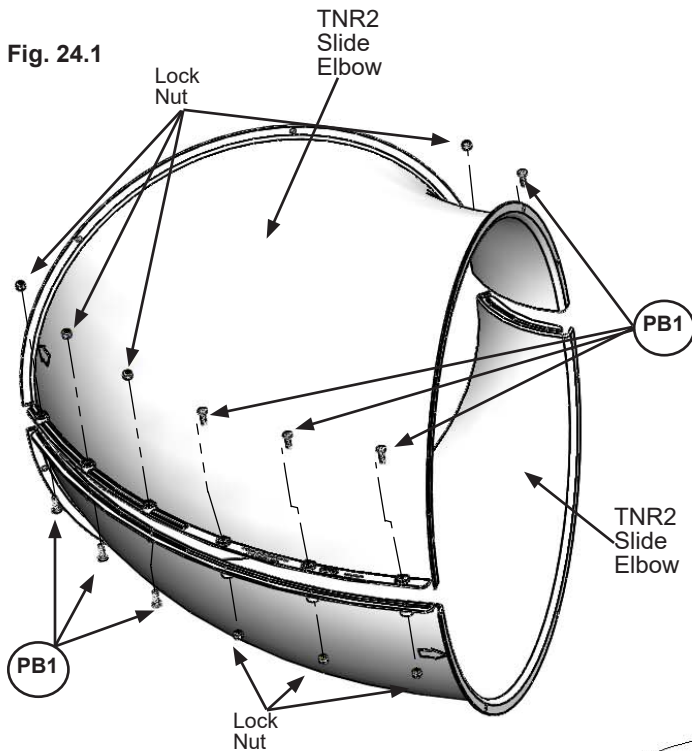


Note: When installing Pan Bolts make sure to look at holes so bolts go through the side with the round recess and the lock nuts go through the side with the hexagonal recess. (fig. 24.3)

A: Fit 2 TNR2 Slide Elbows together and attach with 8 (PB1) 1/4 x 3/4" Pan Bolts (with lock nut) as shown in fig. 24.1. It is very important to attach bolts as indicated.

B: Repeat Step A 3 more times to create 4 Elbow Sections in total.

C: Attach TNR2 Slide RT Flange and TNR2 Slide LT Flange together using 4 (PB1) 1/4 x 3/4" Pan Bolts (with lock nut) as shown in fig. 24.2. This creates the Flange Assembly.



Use a 7/16" open end wrench for nuts

Hardware

36 x 1/4 x 3/4" Pan Bolt
(1/4" lock nut)

Other Parts

1 x TNR2 Slide LT Flange
1 x TNR2 Slide RT Flange
8 x TNR2 Slide Elbow

Step 24: Slide Section Assemblies Part 2

Note: When installing Pan Bolts make sure to look at holes so bolts go through the side with the round recess and the lock nuts go through the side with the hexagonal recess. (fig. 24.3)

D: Attach TNR2 Slide Exit Top and the remaining TNR2 Slide Elbow together using 8 (PB1) 1/4 x 3/4" Pan Bolts (with lock nut) as shown in fig. 24.4. It is very important to attach bolts as indicated. This creates the Exit Elbow Assembly.

Fig. 24.4

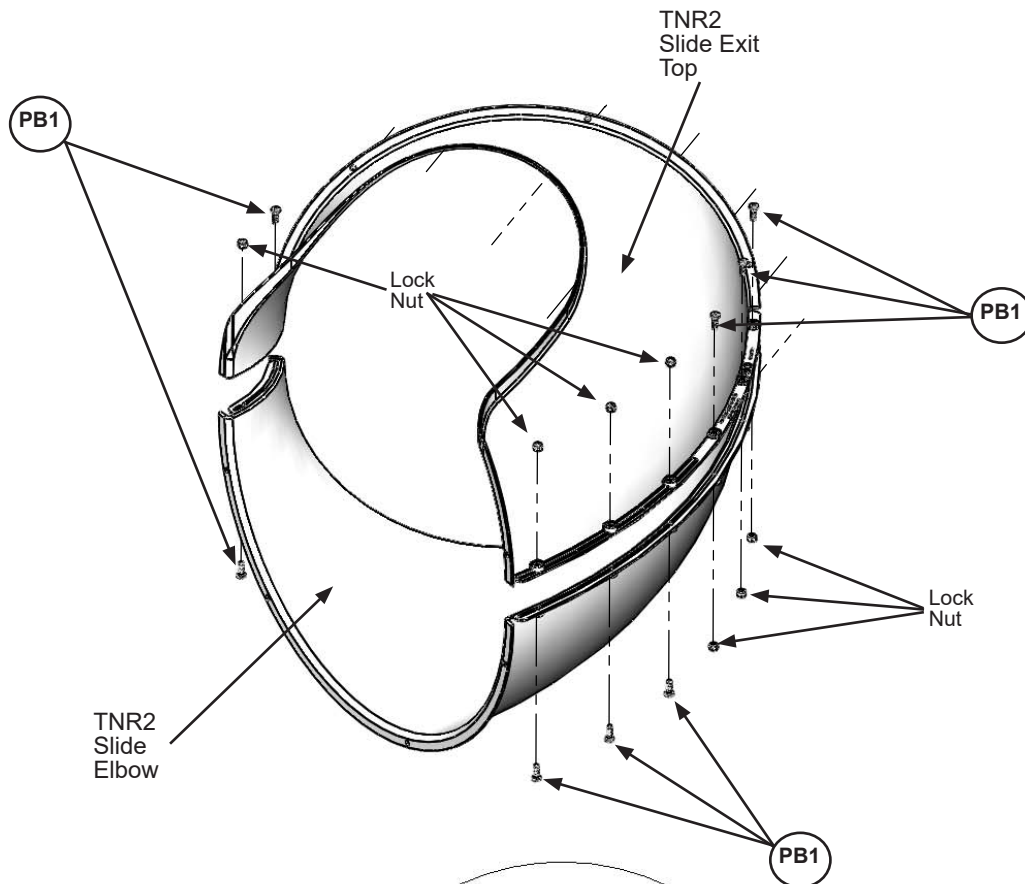
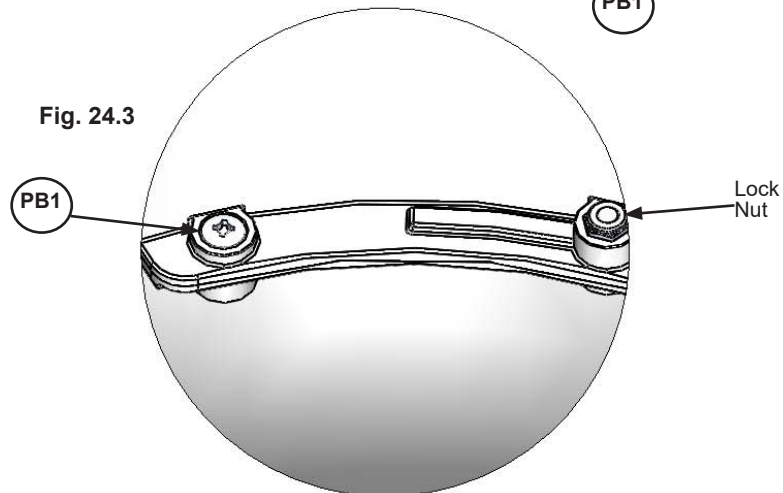



Fig. 24.3



Hardware

8 x  1/4 x 3/4" Pan Bolt
(1/4" lock nut)

Other Parts

1 x TNR2 Slide Exit Top
1 x TNR2 Slide Elbow

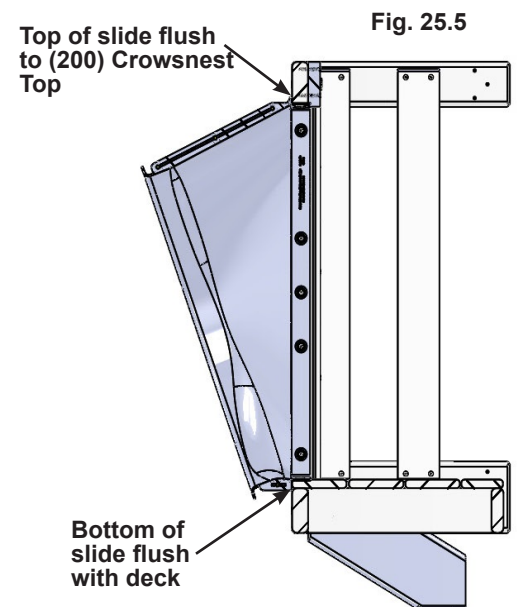
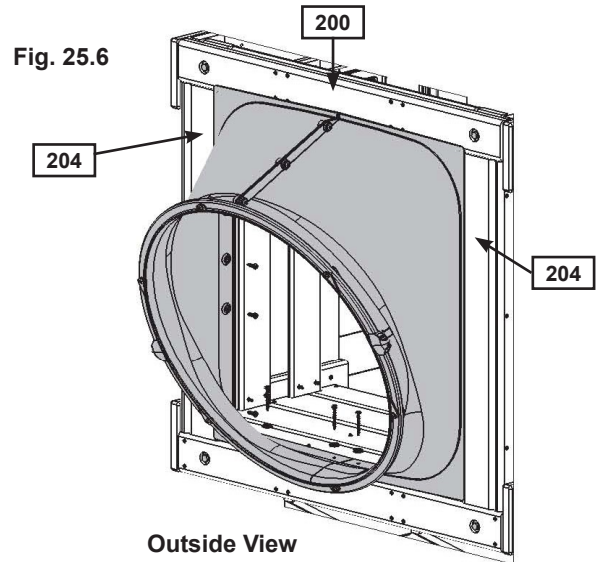
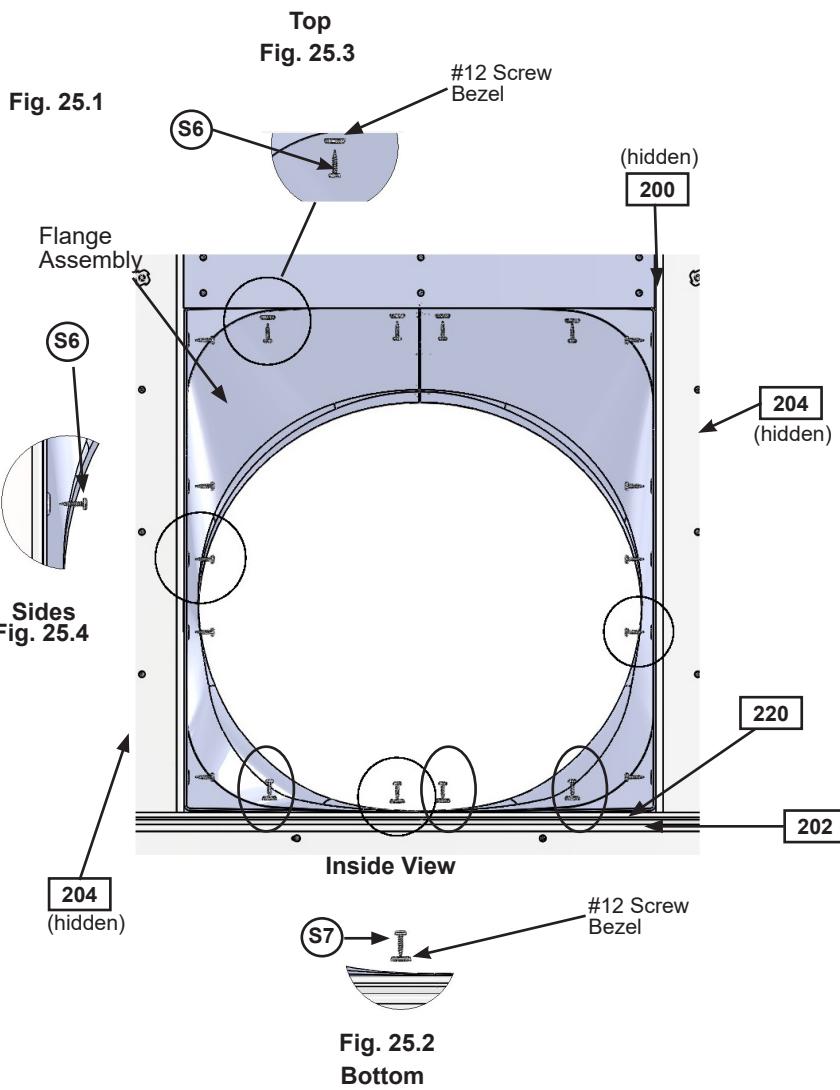
Step 25: Attach Flange Assembly to Fort



A: With a helper place the Flange Assembly flush to the Crowsnest on the fort as shown in fig. 25.1 and 25.5, then pre-drill 1/8" pilot holes in the bottom 4 mounting locations on (220) Crowsnest Gap Board (approximate spots where circles are on figure), making sure the pre-drilled holes are a minimum of 1" deep.

B: Attach Flange Assembly to the Crowsnest through (220) Crowsnest Gap Board and into (202) Crowsnest Front using 4 (S7) #12 x 2" Pan Screws (with #12 Screw Bezel) in the pre-drilled holes. (fig. 25.1 and 25.2) Make sure the flat surfaces of the Flange Assembly are flush to the Crowsnest as shown in fig. 25.5.

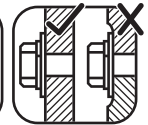
C: Attach the Flange Assembly flush to (200) Crowsnest Top using 4 (S6) #12 x 1" Pan Screws (with #12 Screw Bezel) as shown in fig. 25.1 and 25.3 and to both (204) Crowsnest Spacers using 5 (S6) #12 x 1" Pan Screw per board. (fig. 25.1 and 25.4)



Hardware

- 14 x (S6) #12 x 1" Pan Screw
- 4 x (S7) #12 x 2" Pan Screw
- 8 x #12 Screw Bezel

Step 26: Attach Elbow Assembly to Flange Assembly



Note: Keep all bolts loose until further step.

A: Fit one of the Elbow Assemblies to the Flange Assembly by lining up the arrows on each assembly. Attach Elbow Assembly to Flange Assembly using 6 (PB1) $\frac{1}{4}$ x $\frac{3}{4}$ " Pan Bolts and Square Lock Nut. (fig. 26.1, 26.2 and 26.3)

B: Attach one of the Elbow assemblies to another Elbow Assembly making sure to line up the arrows on each assembly. Attach 6 ($\frac{1}{4}$ x 12.7)mm Pan Bolt with Square Lock Nut. Repeat this instruction for 2 more. (fig. 26.2 and 26.3)

Use Quadrex Driver as a guide pin for each hole before inserting bolt.

Fig.26.1

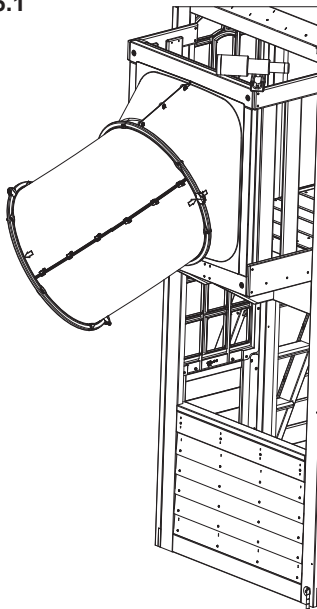
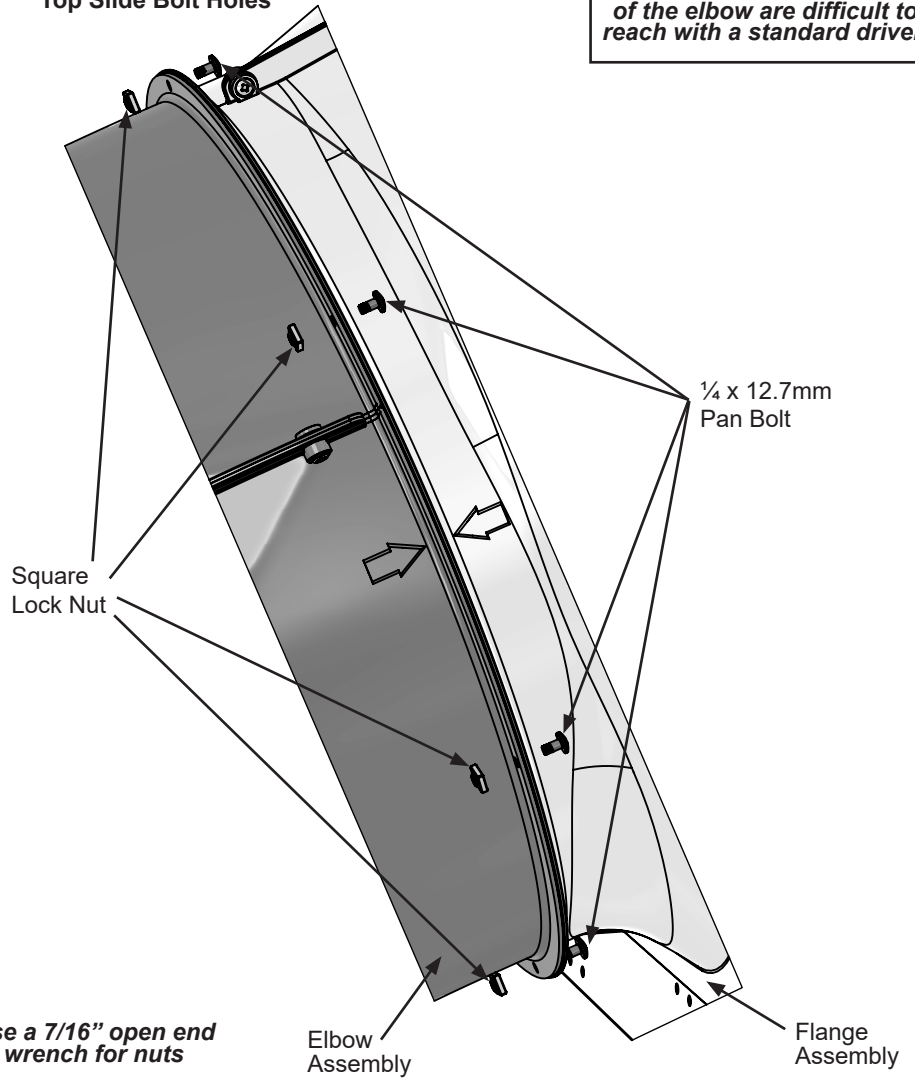


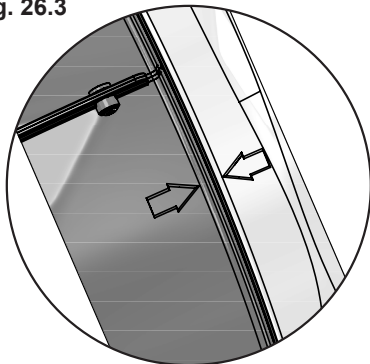
Fig. 26.2
Top Slide Bolt Holes



Quadrex Driver

Use special driver provided in locations where the curve of the elbow are difficult to reach with a standard driver.

Fig. 26.3



Align each elbow using the molded arrows.

Use a 7/16" open end wrench for nuts

Other Parts

- 1 x Quadrex Driver
- 24 x $\frac{1}{4}$ x 12.7mm Pan Bolt
- 24 x $\frac{1}{4}$ " Square Lock Nut

Step 27: Attach TNR 3 Slide Exit to Elbow Assembly

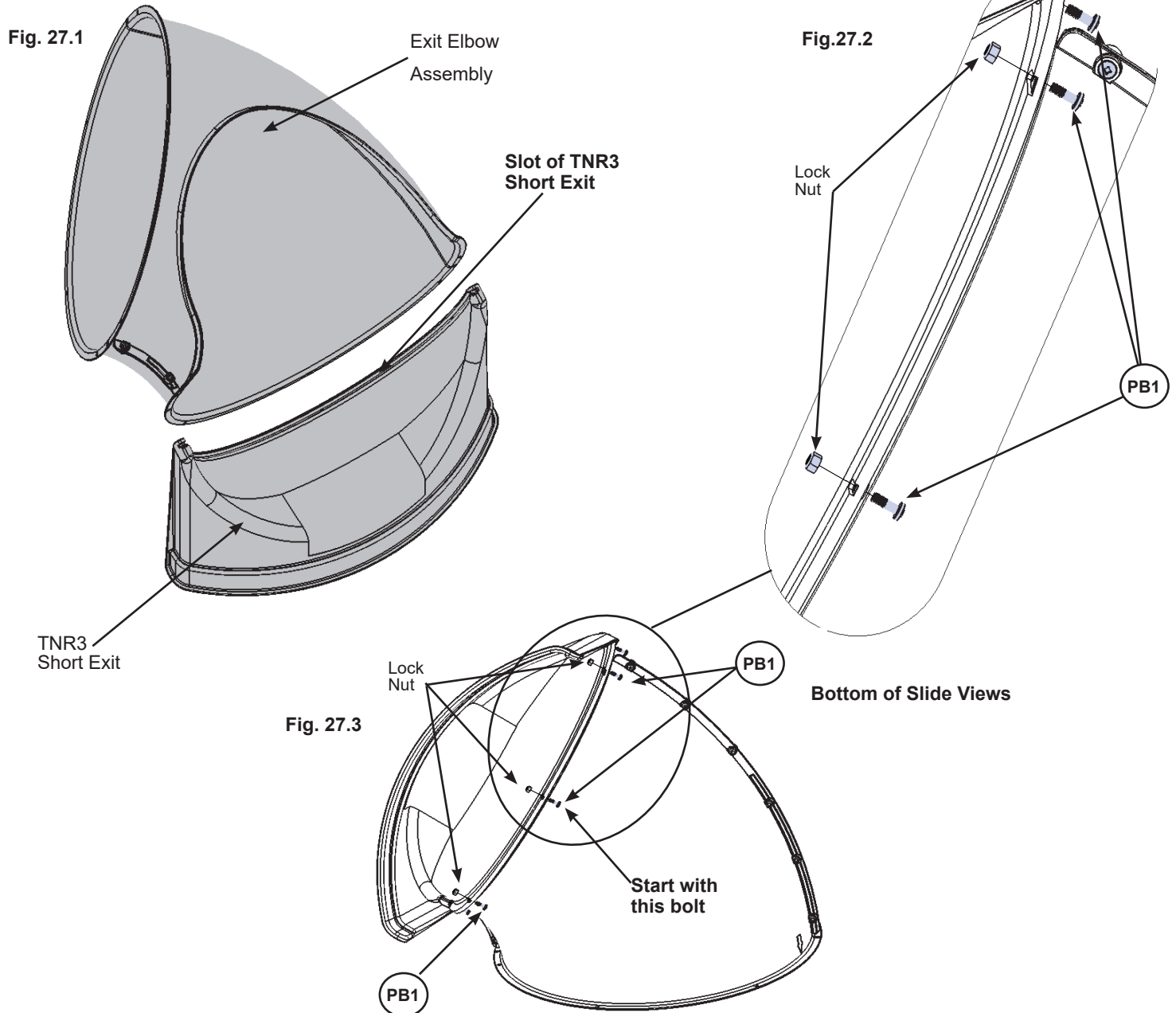


A: Insert flange of Exit Elbow Assembly (slide elbow) into the slots on TNR3 Short Exit. (fig. 27.1)


B: Rotate Slide Exit and use Quadrex Driver as a guide pin so the holes are aligned and attach with 5 (PB1) 1/4 x 3/4" Pan Bolts (with lock nuts) starting with the bottom middle hole and working up each side. (fig. 27.2 and 27.3)

C: At this point make sure all the slide bolts are tight.

Use a 7/16" open end wrench to hold nut and then tighten bolt with Quadrex Driver.



Hardware

5 x  1/4 x 3/4" Pan Bolt
(1/4" lock nut)

Other Parts

1 x TNR3 Short Exit

Step 28: Attach Exit End Assembly to Fort



A: Fit the Exit End Assembly to the last Elbow Assembly by lining up the arrows on each assembly. Notice the elbow orientation. (fig. 28.1). Attach with 6 (1/4 x 12.7)mm Pan Bolts and Square Lock Nuts. (fig. 28.2)

Fig. 28.1

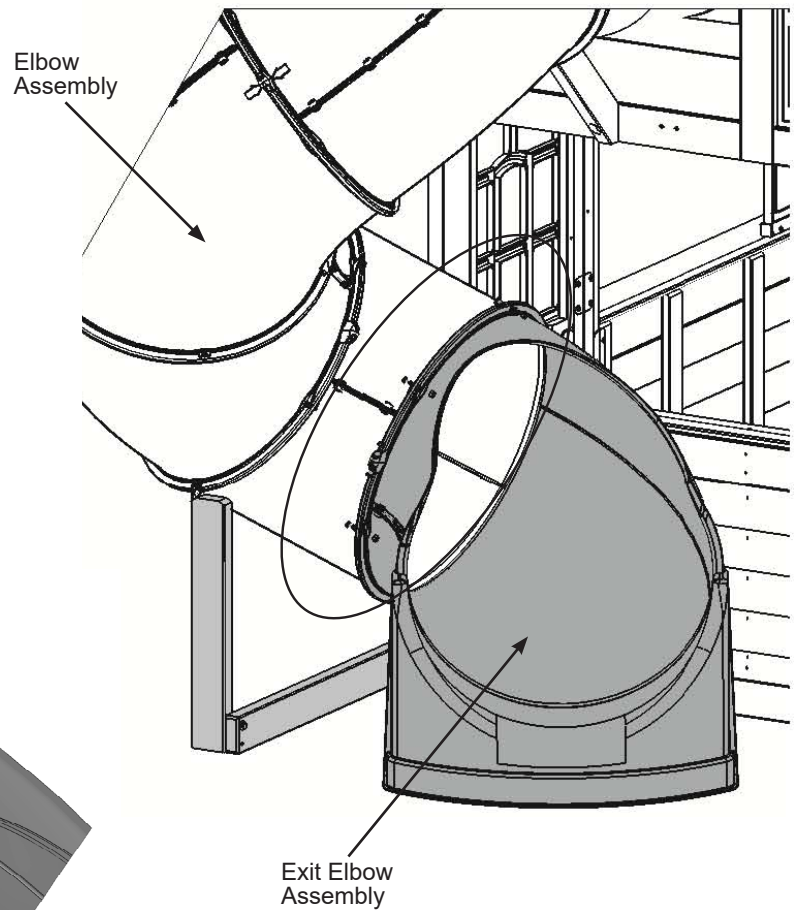
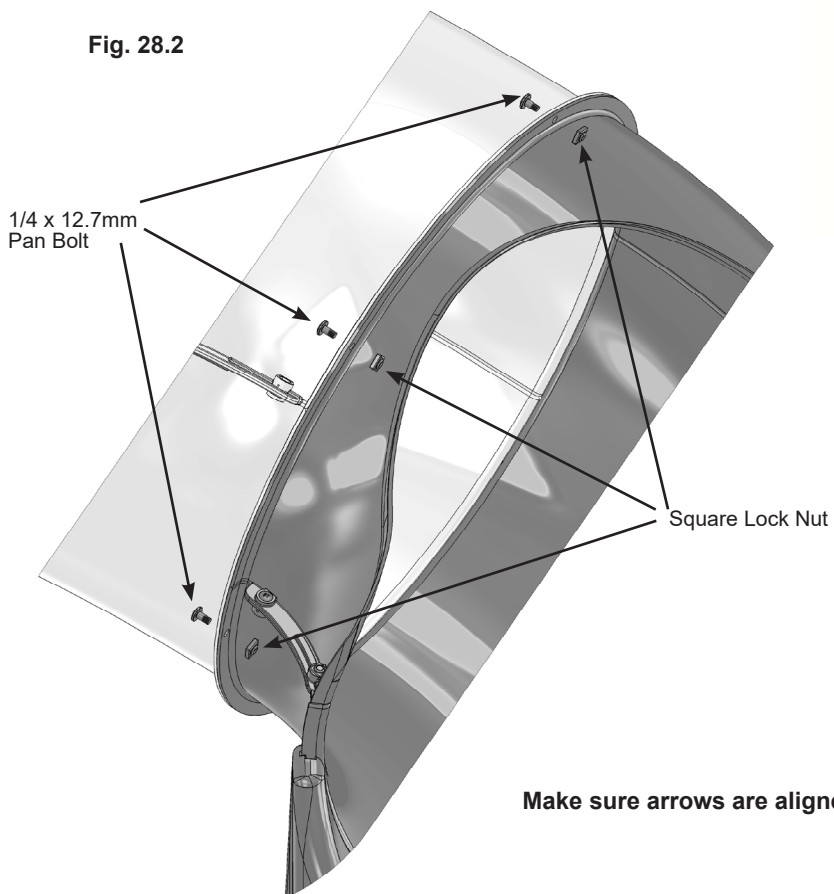


Fig. 28.2



Make sure arrows are aligned

Other Parts

6 x 1/4" x 12.7mm Pan Bolt
6 x 1/4" Square Lock Nut



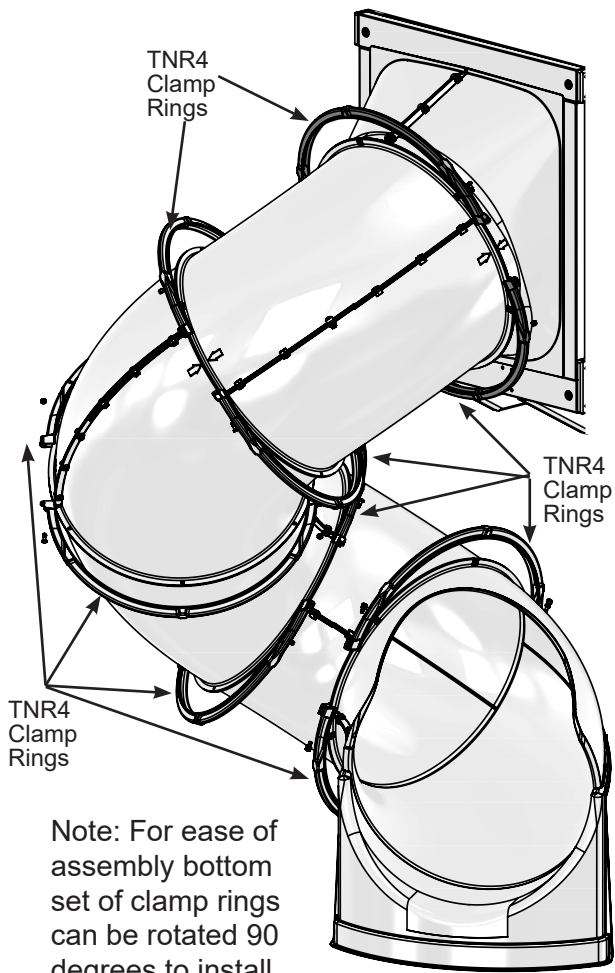
Step 29: Attach TNR 4 Clamp Rings

A: Place 2 TNR4 Clamp Rings around each joint making sure to match the arrows with the end of the Clamp Ring as shown in (fig.29.1 & 29.2).

B: Connect TNR4 Clamp Rings in 2 spots using 1 (PB6) 1/4 x 1" Pan Bolt (with lock nut) per side. (fig. 29.3)

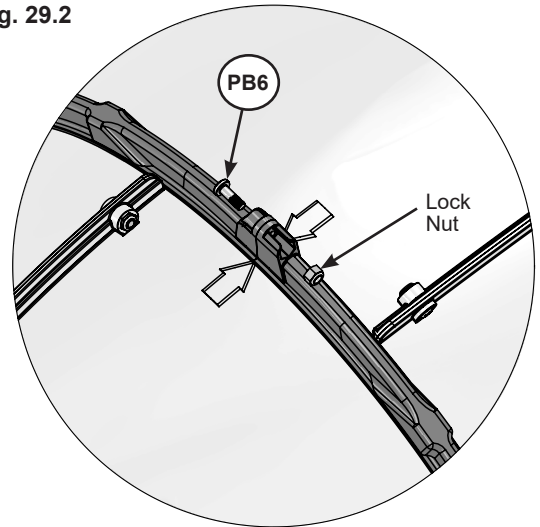
Note: When installing Pan Bolts make sure to look at holes so bolts go through the side with the round recess and the lock nuts go through the side with the hexagonal recess.

Fig. 29.1



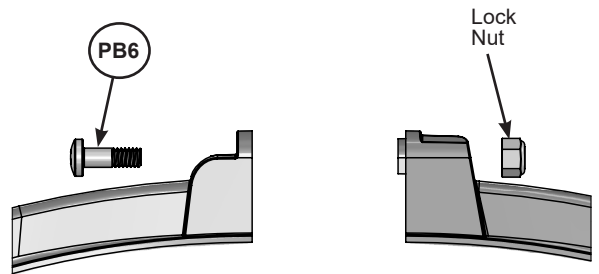
Note: For ease of assembly bottom set of clamp rings can be rotated 90 degrees to install bolts.

Fig. 29.2




Make sure arrows are aligned

Fig. 29.3



After the clamp rings are attached to the elbows, fasten them end to end with two pan bolts and lock nuts

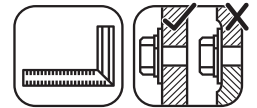
Hardware

10 x  1/4 x 1" Pan Bolt (1/4" lock nut)

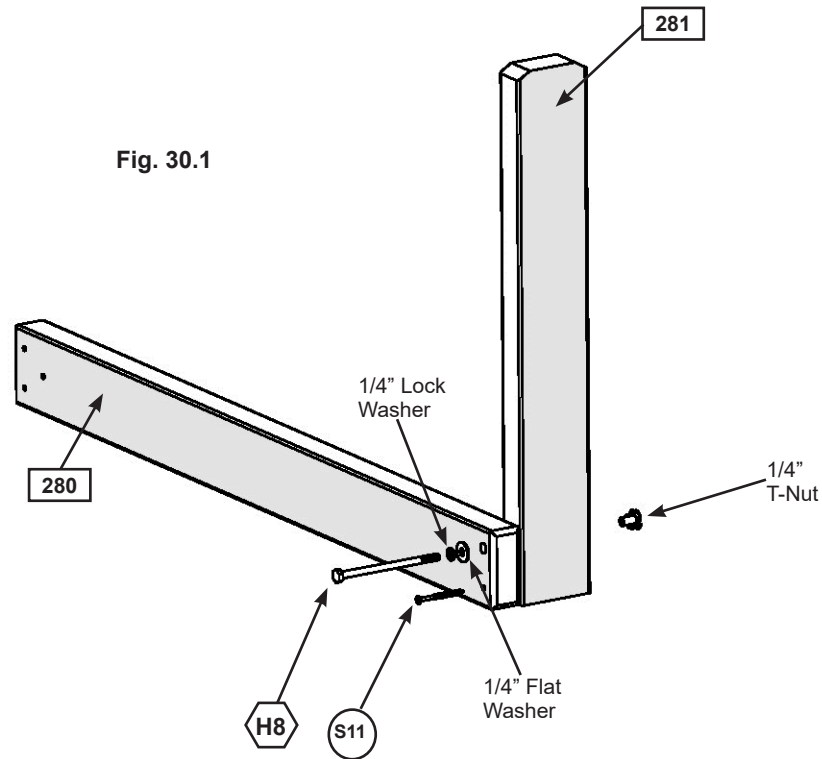
Other Parts

10 x TNR4 Clamp Ring

Step 30: TNR Brace Assembly



A: Attach (281) TNR Upright to (280) TNR Ground Brace with 1 (H8) 1/4 x 4-1/4" Hex Bolt (with lock washer, flat washer and t-nut) in the top hole. Make sure both boards are square then attach with 1 (S11) #8 x 2" Wood Screw. (fig. 30.1)



Wood Parts

- 1 x 280 TNR Ground Brace 1-1/4 x 3 x 32-1/4"
- 1 x 281 TNR Upright 1-1/4 x 3 x 20-1/4"

Hardware

- 1 x S11 #8 x 2" Wood Screw
- 1 x H8 1/4 x 4-1/4" Hex Bolt (1/4" lock washer, 1/4" flat washer, 1/4" t-nut)



Step 31: Attach TNR 3 Tube Support to Fort

A: Place TNR Brace Assembly against (041) Narrow Back Panel so it sits under the slide. It is not attached yet. (fig. 31.1)

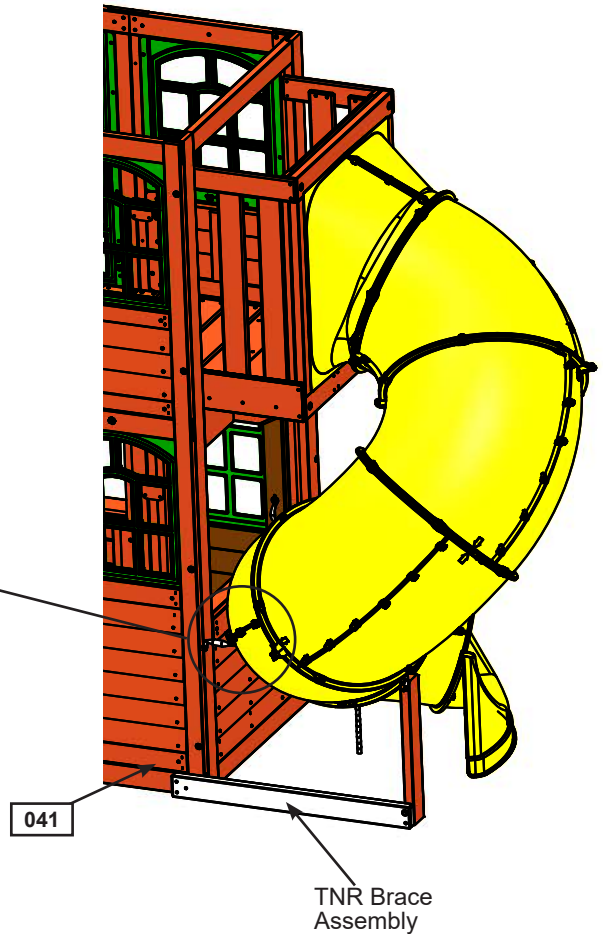
B: On the fourth attached Elbow Assembly remove the pan bolt and nut which is facing the fort (installed in Step 24). (fig. 31.1) **The bolt will no longer be needed, but keep the lock nut.**

C: Loosely attach TNR3 Tube Support (at the slightly bent end) to the Clamp Ring using 1 (PB6) 1/4 x 1" Pan Bolt (with flat washer and the previously removed lock nut). (fig. 31.2)

D: Rotate TNR3 Tube Support and attach to (040) Slide End Panel using 1 (S6) #12 x 1" Pan Screw as shown in fig.31.2.

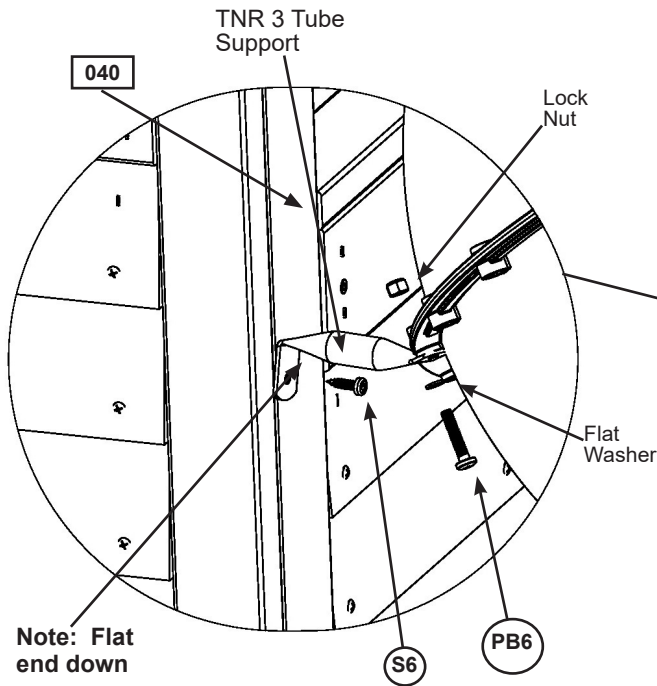
E: Fully tighten screw and bolt.

Fig. 31.1



Remove PB1 (1/4 x 3/4" Pan Bolt) first then install PB6 (1/4 x 1" Pan Bolt with flat washer)

Fig. 31.2



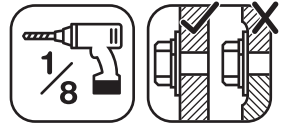
Hardware

- 1 x (S6) #12 x 1" Pan Screw
- 1 x (PB6) 1/4 x 1" Pan Bolt (1/4" flat washer & 1/4" lock nut - previously removed)

Other Parts

- 1 x TNR3 Tube Support

Step 32: Attach Elbow Assemblies and TNR4 Slide



- A:** Place 1 TNR4 Post Mount Clamp on either side of the Clamp Ring so that the bent tops clip in behind the Clamp Ring. (fig. 32.2)
- B:** Insert the TNR4 Post Mount Base in between the 2 Post Mount Clamps and screw all pieces together using 1 1/4 x 14.5mm Pan Head Bolt and Square Nylock Nut. (fig. 32.2)
- C:** Attach TNR4 Post Mount Base to (281) TNR Upright, pre-drill with a 1/8" drill bit then attach with 2 (S6) #12 x 1" Pan Screws. (fig. 32.2)
- D:** Attach the Post Mount Clamp to the clamp ring using 1 (S37) #7 x 5/8" Pan Screw. (fig. 32.2)
- E:** Attach (280) TNR Ground Brace flush to the bottom of (041) Narrow Back Panel with 2 (S11) #8 x 2" Wood Screws and 1 (S4) #8 x 3" Wood Screw. (fig. 32.1 and 32.3)

Fig. 32.1

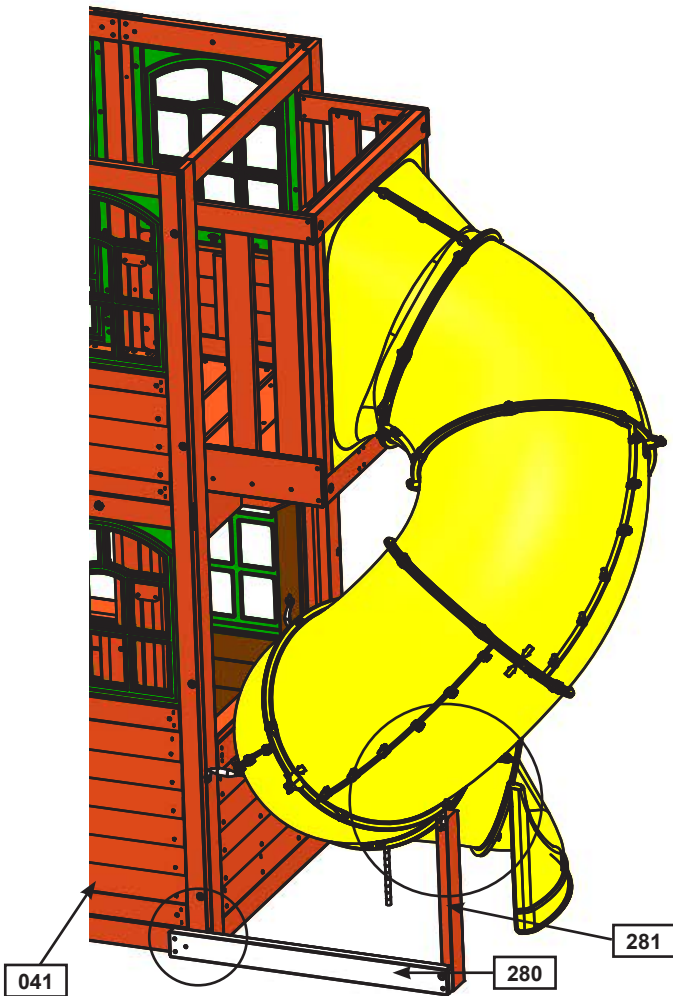


Fig. 32.2

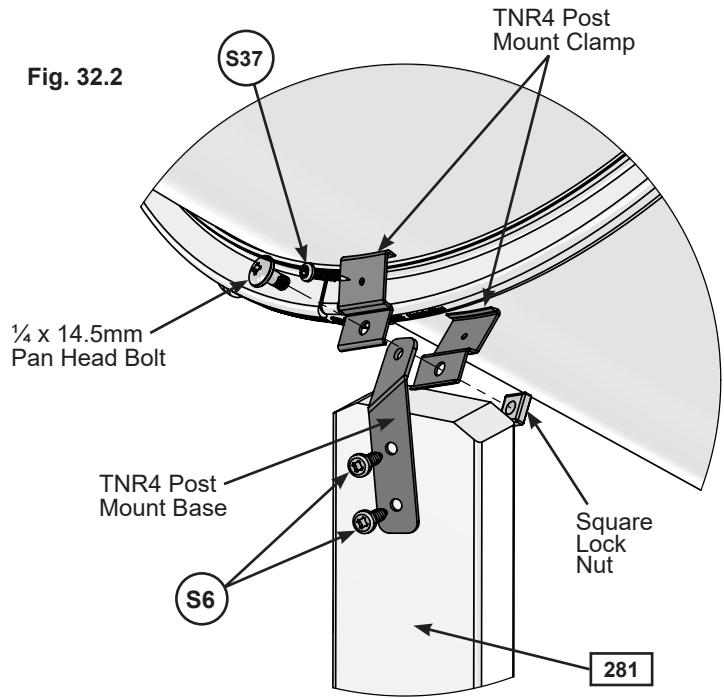
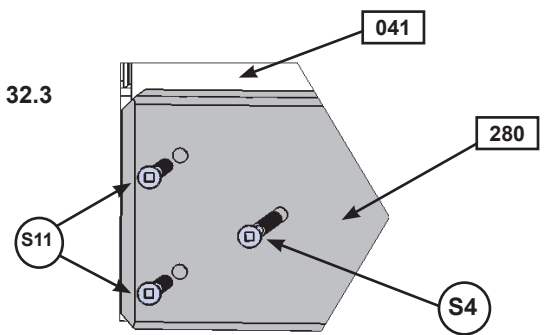


Fig. 32.3



Hardware

- 2 x (S6) #12 x 1" Pan Screw
- 1 x (S37) #7 x 5/8" Pan Screw
- 1 x (S4) #8 x 3" Wood Screw
- 2 x (S11) #8 x 2" Wood Screw

Other Parts

- 2 x TNR4 Post Mount Clamp
- 1 x TNR 4 Post Mount Base
- 1 x 1/4 x 14.5 mm Pan Head Bolt
- 1 x Square Lock Nut

Step 33: Attach Ground Stake to TNR Upright

A: In the spot shown in fig. 33.1 drive 1 Rebar Ground Stake 13" into the ground against the (280) TNR Ground Brace. Be careful not to hit the washer while hammering stake into the ground as this could cause the washer to break off.

B: Attach the ground stake to (280) Ground Brace just below the bolt head using 1 (S7) #12 x 2" Pan Screw as shown in fig. 33.2.

C: After driving stakes into the ground, check for sharp edges caused by the impact of the hammer. Smooth any sharp edges from impact area and touch up with outdoor paint.



Warning! To prevent tipping and avoid potential injury, stakes must be driven 13" into ground. Digging or driving stakes can be dangerous if you do not check first for under-ground wiring, cables or gas lines.

Fig. 33.1

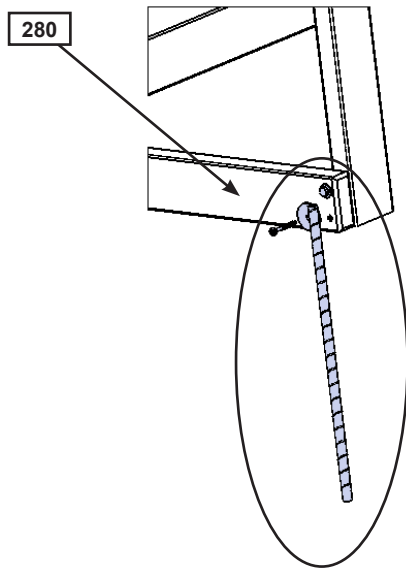
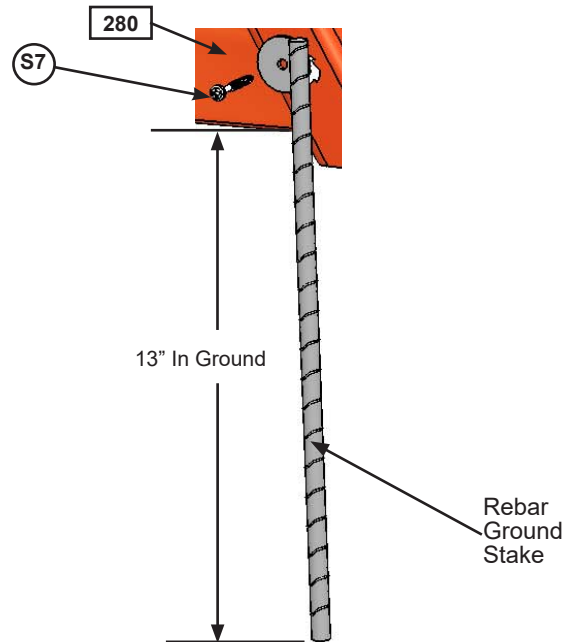


Fig. 33.2



Hardware

1 x (S7) #12 x 2" Pan Screw

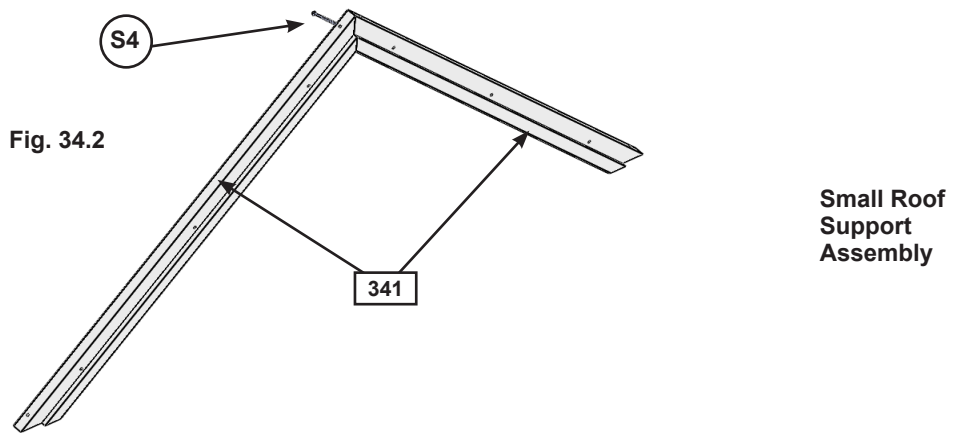
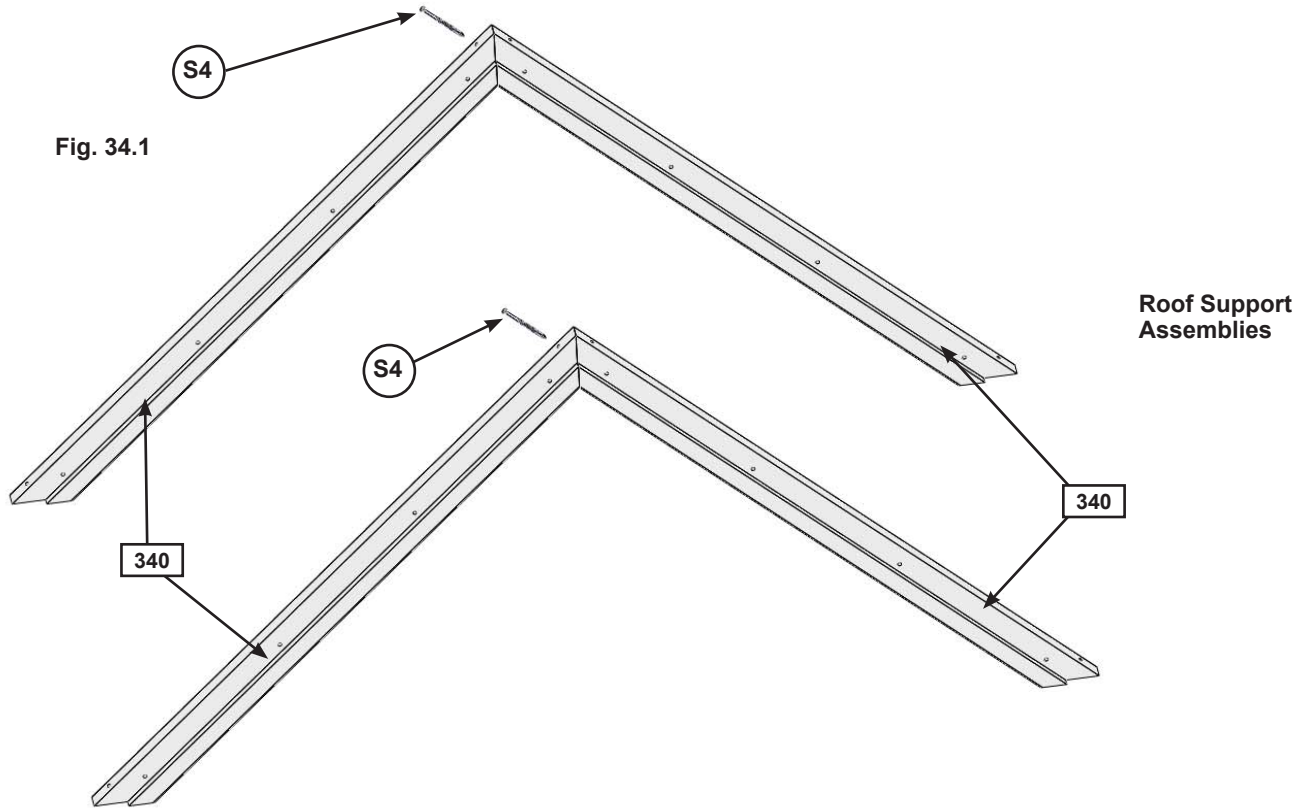
Other Parts

1 x Rebar Ground Stake

Step 34: Roof Support Assemblies

A: Attach 1 (340) Roof Support to a second (340) Roof Support at peak using 1 (S4) #8 x 3" Wood Screw. Repeat this twice so there are 2 Roof Support Assemblies. (fig. 34.1)

B: Attach 1 (341) Roof Support Small to a second (341) Roof Support Small at peak using 1 (S4) #8 x 3" Wood Screw. There will be 1 Small Roof Support Assembly. (fig. 34.2)



Wood Parts

- 4 x 340 Roof Support 1-1/4 x 2-1/4 x 33"
- 2 x 341 Roof Support Small 1-1/4 x 2-1/4 x 29-11/16"

Hardware

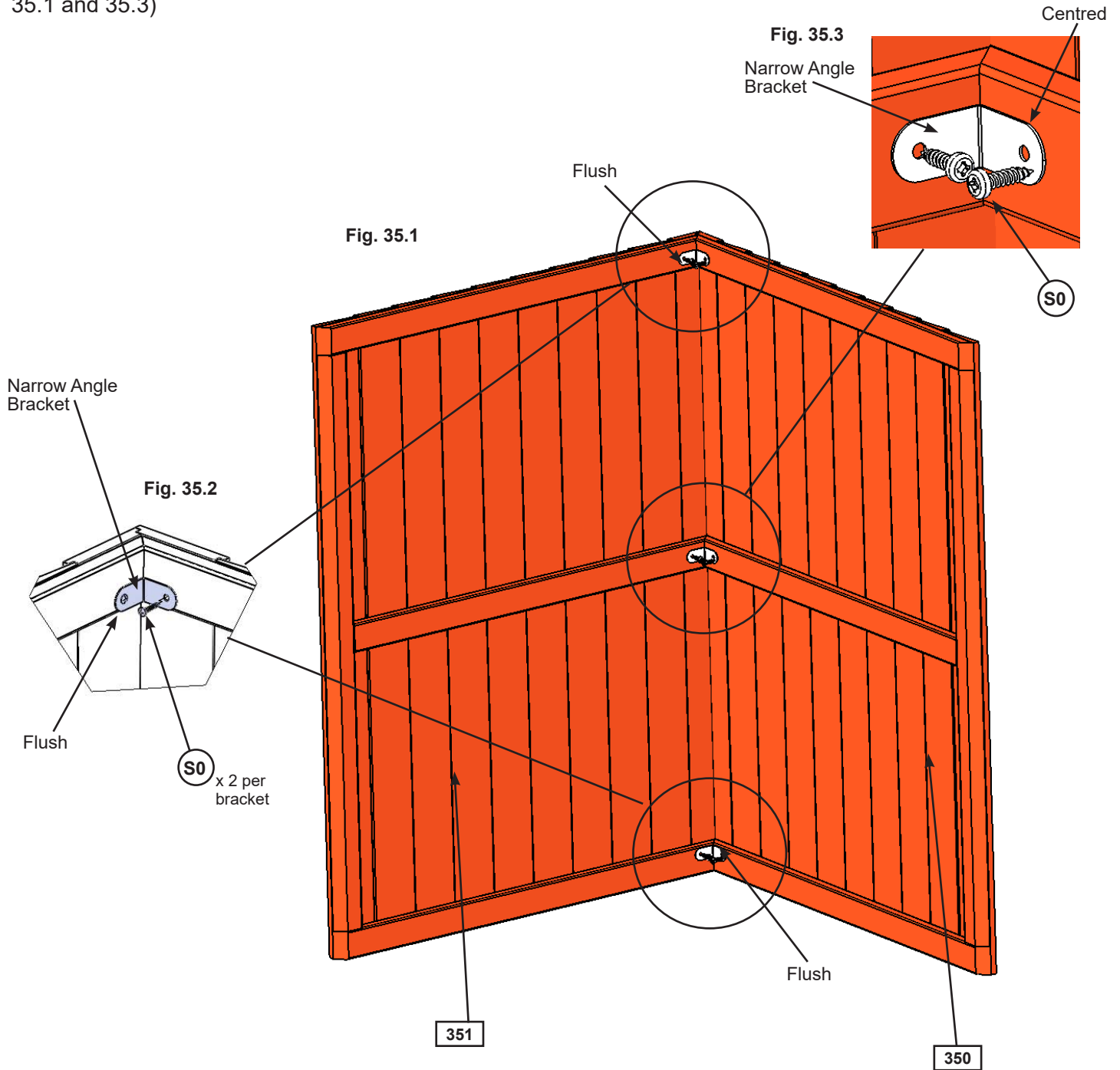
- 3 x S4 #8 x 3" Wood Screw

Step 35: Large Roof Assembly Part 1



A: Place (350) Front Roof Panel against (351) Back Roof Panel so the tops form a peak then tight to the inside edge of the outside slats attach 1 Narrow Angle Bracket per slat with 2 (S0) #8 x 7/8" Truss Screws per bracket. (fig. 35.1 and 35.2)

B: Attach the third Narrow Angle Bracket centred on the middle slat with 2 (S0) #8 x 7/8" Truss Screws. (fig. 35.1 and 35.3)



Wood Parts

- 1 x 350 Front Roof Panel 1-1/4 x 32-1/2 x 45"
- 1 x 351 Back Roof Panel 1-1/4 x 32-1/4 x 45"

Hardware

- 6 x S0 #8 x 7/8" Truss Screw

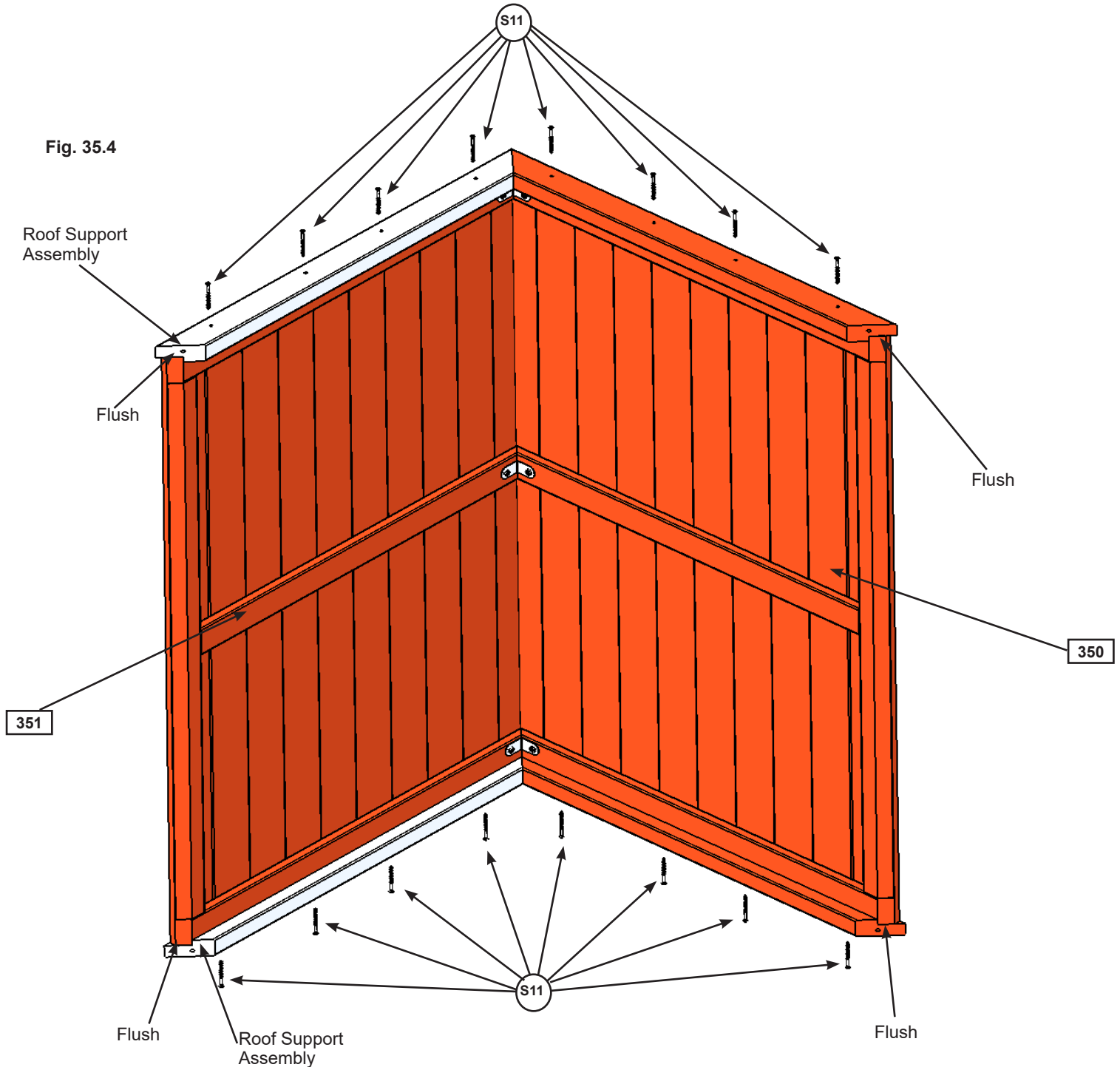
Other Parts

- 3 x Narrow Angle Bracket

Step 35: Large Roof Assembly Part 2

C: Place 1 Roof Support Assembly against one side so the peaks meet and the ends of the roof supports are flush with the ends of the roof panels. Attach with 8 (S11) #8 x 2" Wood Screws. (fig. 35.4)

D: Attach the second Roof Support Assembly on the opposite side, peaks to meet and ends are flush with 8 (S11) #8 x 2" Wood Screws. (fig. 35.4)



Hardware

16 x (S11) #8 x 2" Wood Screw

Step 36: Attach MOD 3 Pane Gable



A: On each side of the Large Roof Assembly attach 2 MOD 3 Pane Gables to the inside of the (340) Roof Supports with 4 (S0) #8 x 7/8" Truss Screws per gable. (fig. 36.1 and 36.2)

Fig. 36.1

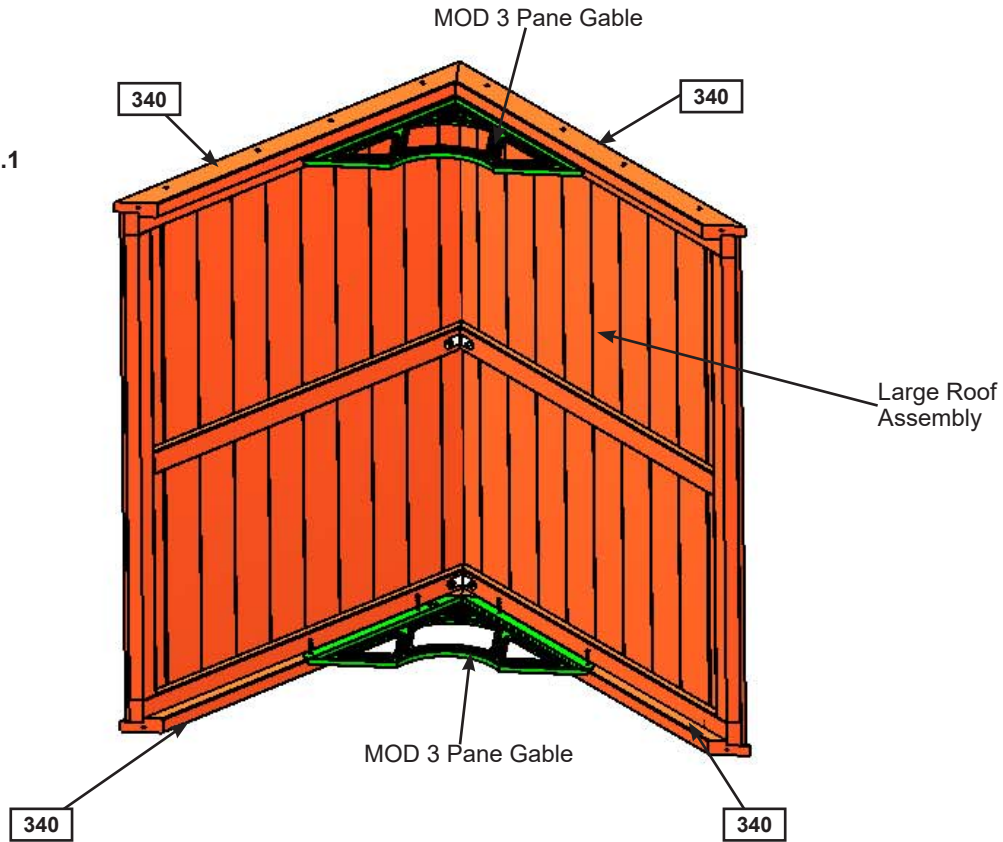
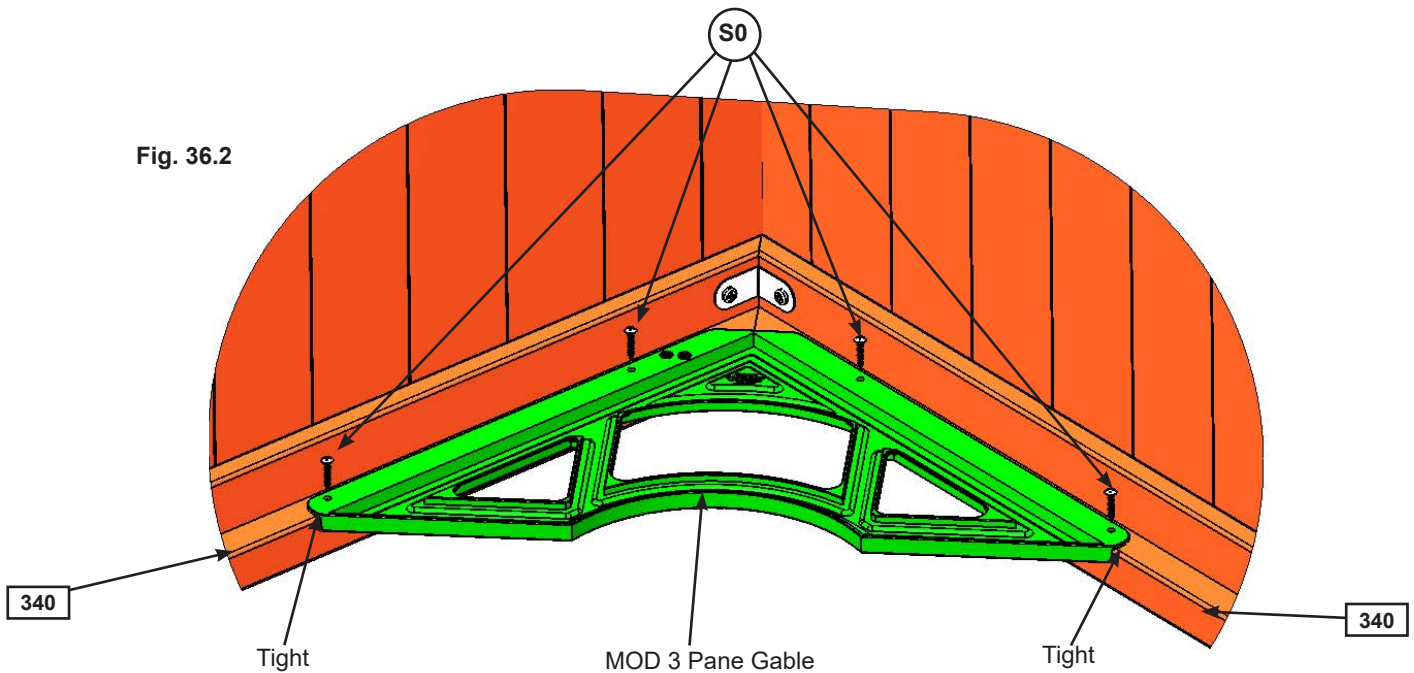


Fig. 36.2



Hardware

8 x (S0) #8 x 7/8" Truss Screw

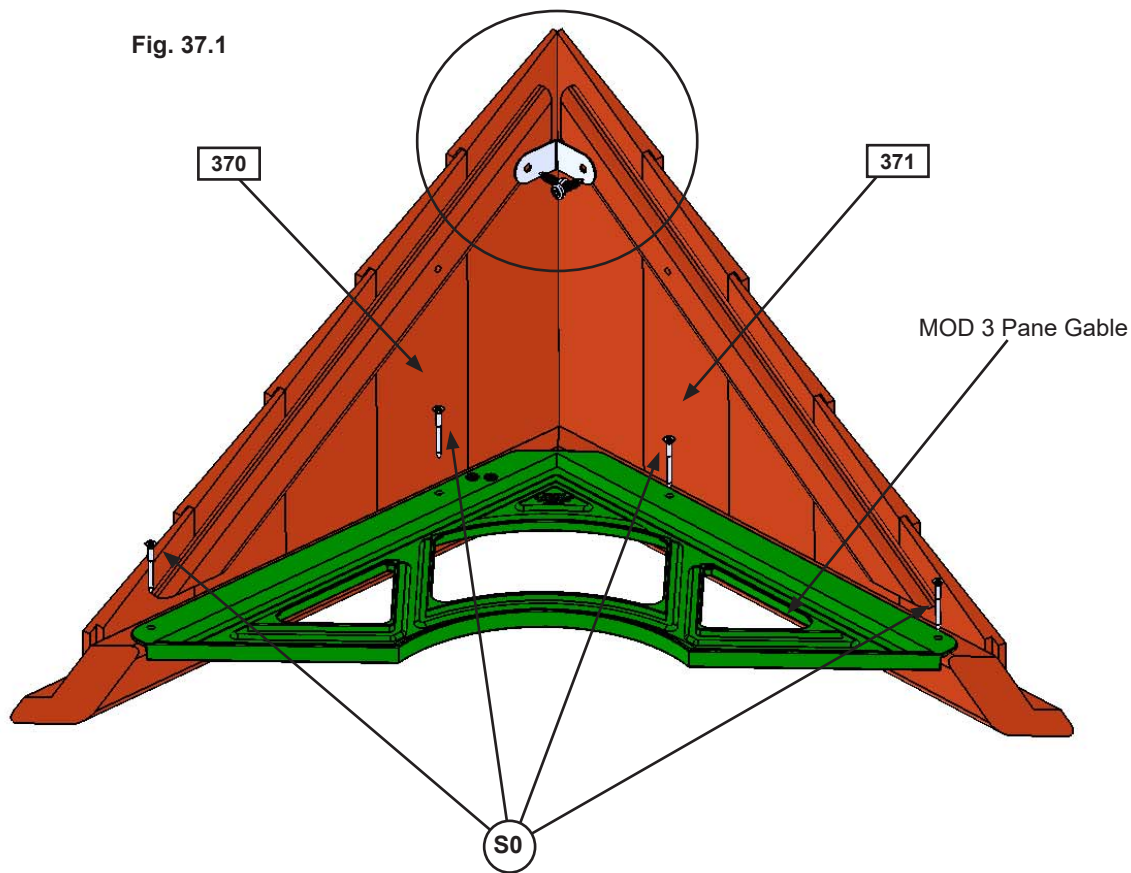
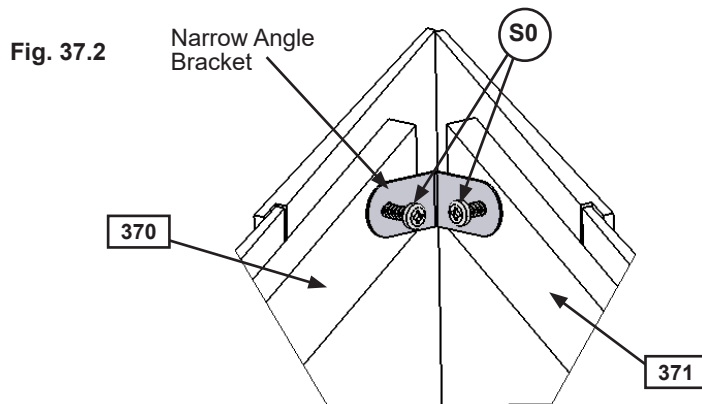
Other Parts

2 x MOD 3 Pane Gable

Step 37: Gable Dormer Assembly

A: Place (370) Gable Dormer RT tight to (371) Gable Dormer LT then place MOD 3 Pane Gable tight against the dormers and attach with 4 (S0) #8 x 7/8" Truss Screws. (fig. 37.1)

B: Attach (370) Gable Dormer RT and (371) Gable Dormer LT with 1 Narrow Angle Bracket using 2 (S0) #8 x 7/8" Truss Screws. (fig. 37.1 and 37.2)



Wood Parts

- 1 x 370 Gable Dormer RT 1-1/4 x 14.6 x 22"
- 1 x 371 Gable Dormer LT 1-1/4 x 14.6 x 22"

Hardware

- 6 x S0 #8 x 7/8" Truss Screw

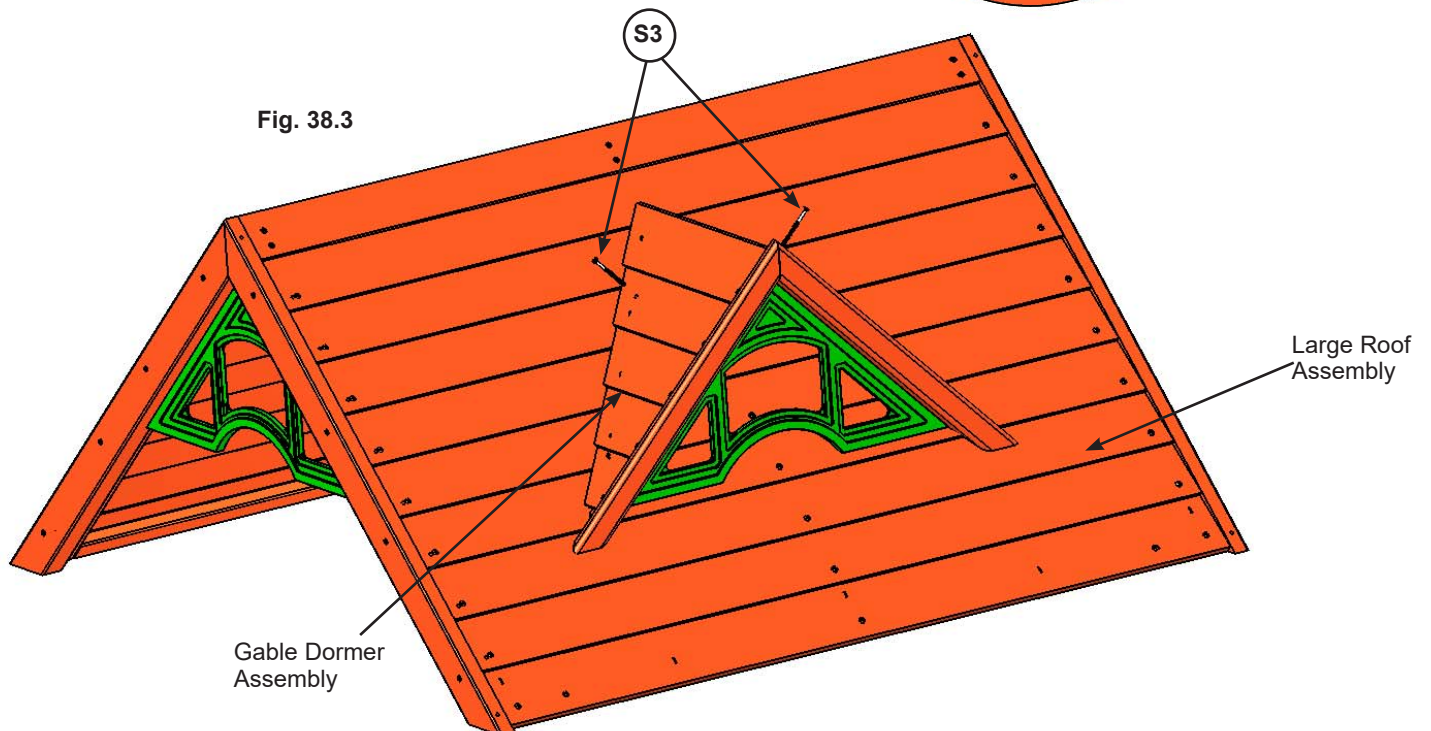
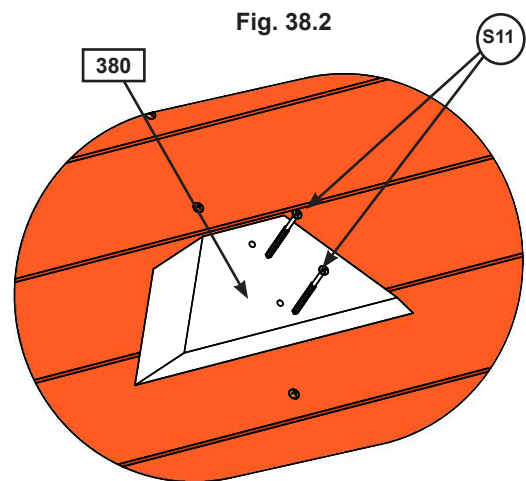
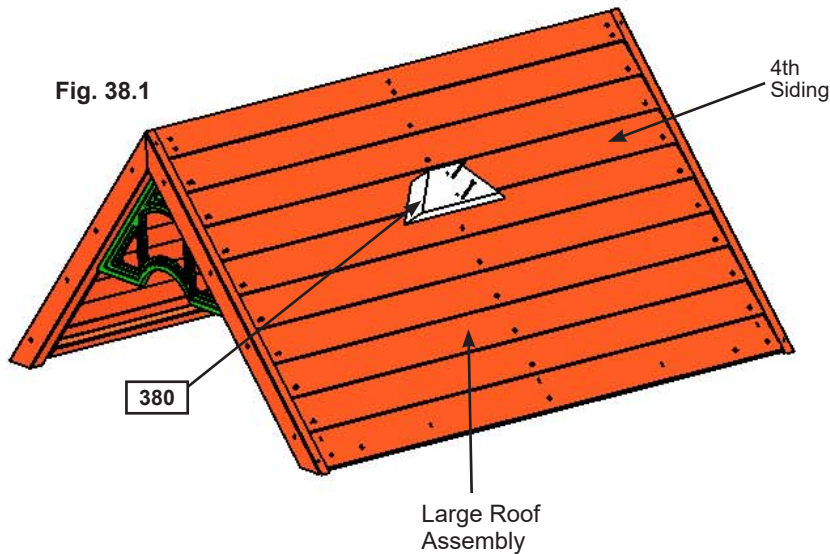
Other Parts

- 1 x Narrow Angle Bracket
- 1 x MOD 3 Pane Gable

Step 38: Attach Gable Dormer to Large Roof

A: On the outside of the Large Roof Assembly on (350) Front Roof Panel, on the 4th siding down, place (380) Dormer Cleat centred on the panel (over the middle inside slat) then attach with 2 (S11) #8 x 2" Wood Screws. Make sure the screws go into the siding and the slats. (fig. 38.1 and 38.2)

B: Place completed Gable Dormer Assembly over (380) Dormer Cleat and attach with 2 (S3) #8 x 2-1/2" Wood Screws (fig. 38.3)



Wood Parts

1 x 380 Dormer Cleat 1-1/4 x 3 x 10"

Hardware

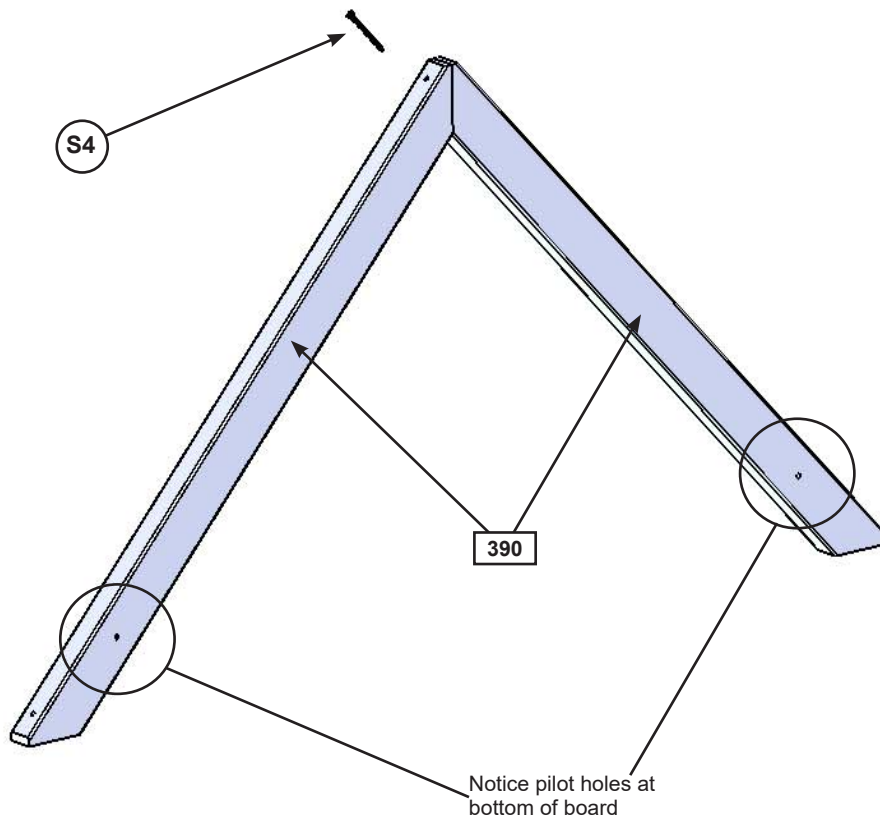
2 x S11 #8 x 2" Wood Screw

2 x S3 #8 x 2-1/2" Wood Screw

Step 39: Small Roof Assembly Part 1

A: Attach 1 (390) Mid Roof Support to a second (390) Mid Roof Support at peak using 1 (S4) #8 x 3" Wood Screw. Notice pilot holes are at the bottom of the boards. (fig. 39.1)

Fig. 39.1



Wood Parts

2 x **390** Mid Roof Support 1-1/4 x 2-1/4 x 32-3/4"

Hardware

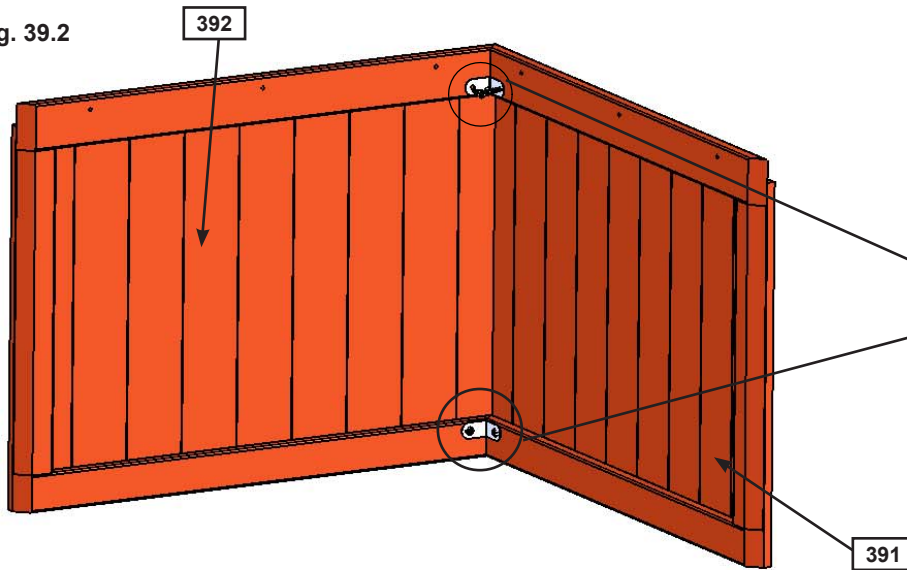
1 x **S4** #8 x 3" Wood Screw

Step 39: Small Roof Assembly Part 2

B: Place (391) Front Small Roof against (392) Back Small Roof so the tops form a peak then tight to the inside edge of the outside slats attach 1 Narrow Angle Bracket per slat with 2 (S0) #8 x 7/8" Truss Screws per bracket. (fig. 39.2 and 39.3)

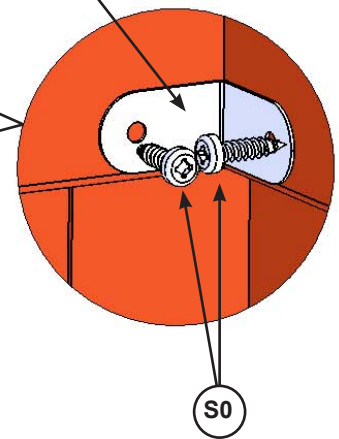
C: Place Mid Roof Support Assembly on top of Small Roof Assembly so the peaks meet and the roof supports are flush with the ends and front of the roof panels. Attach with 6 (S11) #8 x 2" Wood Screws. (fig. 39.4)

Fig. 39.2



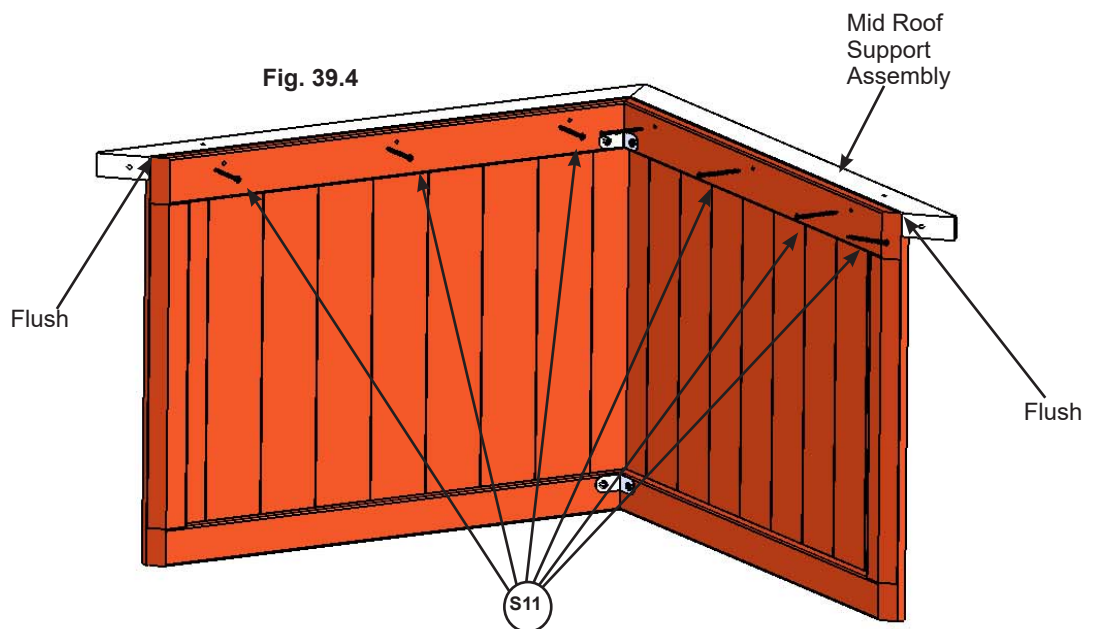
Narrow Angle Bracket

Fig. 39.3



S0

Fig. 39.4



Mid Roof Support Assembly

Flush

Flush

S11

Wood Parts

- 1 x 391 Front Small Roof 1-1/4 x 29-3/16 x 21-7/8"
- 1 x 392 Back Small Roof 1-1/4 x 28-15/16 x 21-7/8"

Hardware

- 4 x S0 #8 x 7/8" Truss Screw
- 6 x S11 #8 x 2" Wood Screw

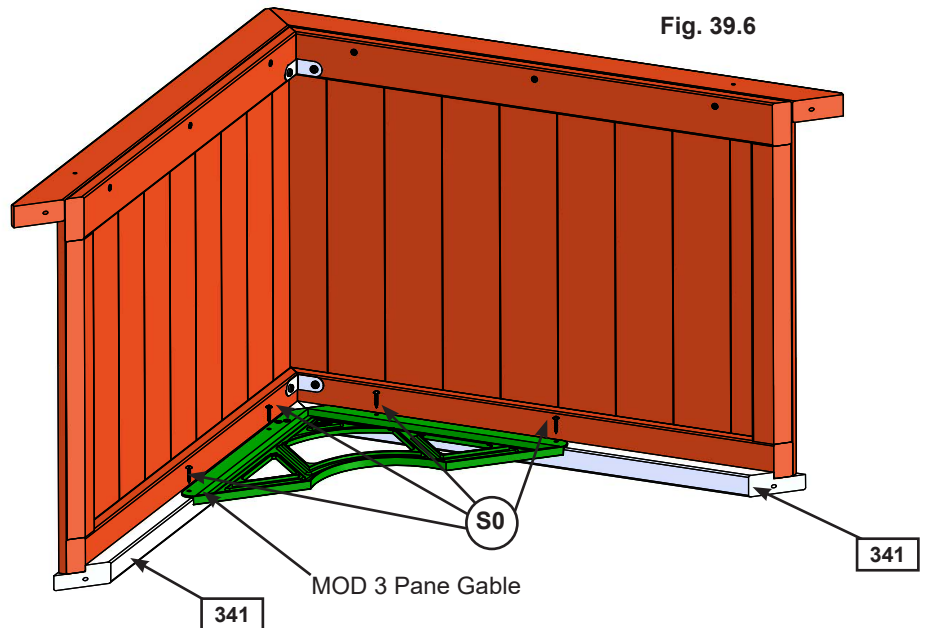
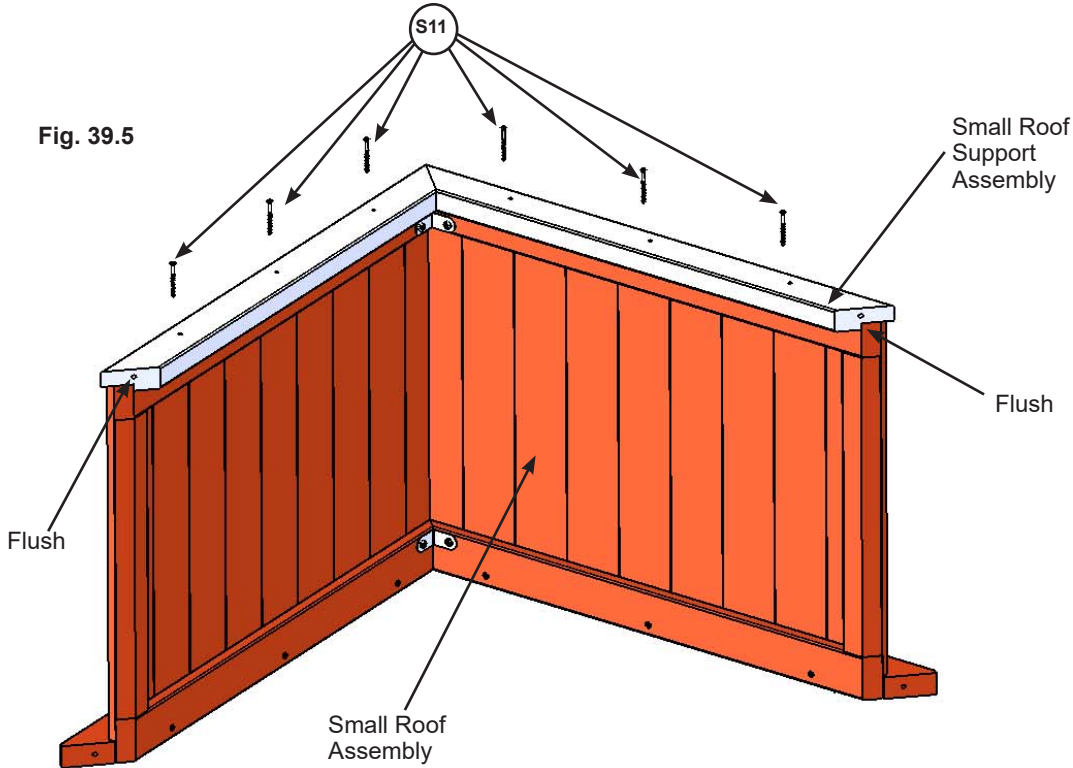
Other Parts

- 2 x Narrow Angle Bracket

Step 39: Small Roof Assembly Part 3

D: Place Small Roof Support Assembly against opposite side of the Small Roof Assembly so the peaks meet and the ends of the roof supports are flush with the ends of the roof panels. Attach with 6 (S11) #8 x 2" Wood Screws. (fig. 39.5)

E: Turn the assembly over then attach 1 MOD 3 Pane Gable to the inside of the (341) Roof Support Smalls with 4 (S0) #8 x 7/8" Truss Screws. (fig. 39.6)



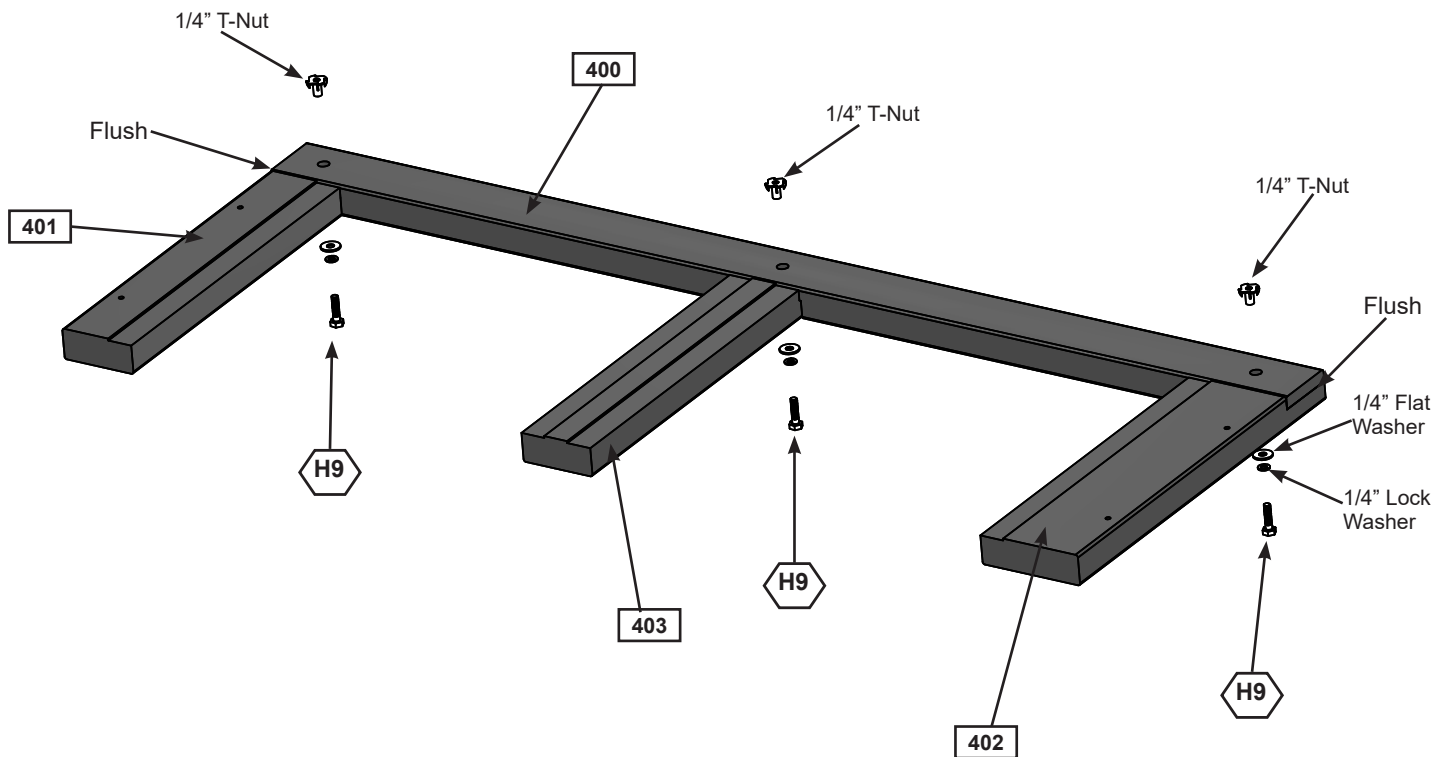
Hardware
 6 x (S11) #8 x 2" Wood Screw
 4 x (S0) #8 x 7/8" Truss Screw

Other Parts
 1 x MOD 3 Pane Gable

Step 40: Transom Assembly Part 1

A: With the notches facing down tap 3 1/4" T-nuts into (400) TB Support then fit (401) Right Upright, (402) Left Upright and (403) Centre Upright into the grooves so the ends and tops are flush. Attach with 3 (H9) 1/4 x 1-1/4" Hex Bolts (with lock washer and flat washer). (fig. 40.1)

Fig. 40.1



Wood Parts

- 2 x 400 TB Support 1-1/4 x 2-1/2 x 44-1/4"
- 2 x 401 Right Upright 1-1/4 x 3 x 16-1/2"
- 2 x 402 Left Upright 1-1/4 x 4-1/4 x 16-1/2"
- 2 x 403 Centre Upright 1-1/4 x 3 x 16-1/2"

Hardware

- 6 x H9 1/4 x 1-1/4" Hex Bolt
(1/4" lock washer, 1/4" flat washer, 1/4" t-nut)

Step 40: Transom Assembly Part 2

B: Place 2 MOD 5 Pane Windows in the openings and attach to (401) Right Upright, (402) Left Upright and (403) Centre Upright with 4 (S0) #8 x 7/8" Truss Screws per window. (fig. 40.2)

C: Attach (404) Wall Tie flush to the top of (400) TB Support and to (403) Centre Upright with 4 (S11) #8 x 2" Wood Screws. (fig. 40.3)

D: Repeat Steps A-C for a second Transom Assembly.

Fig. 40.2

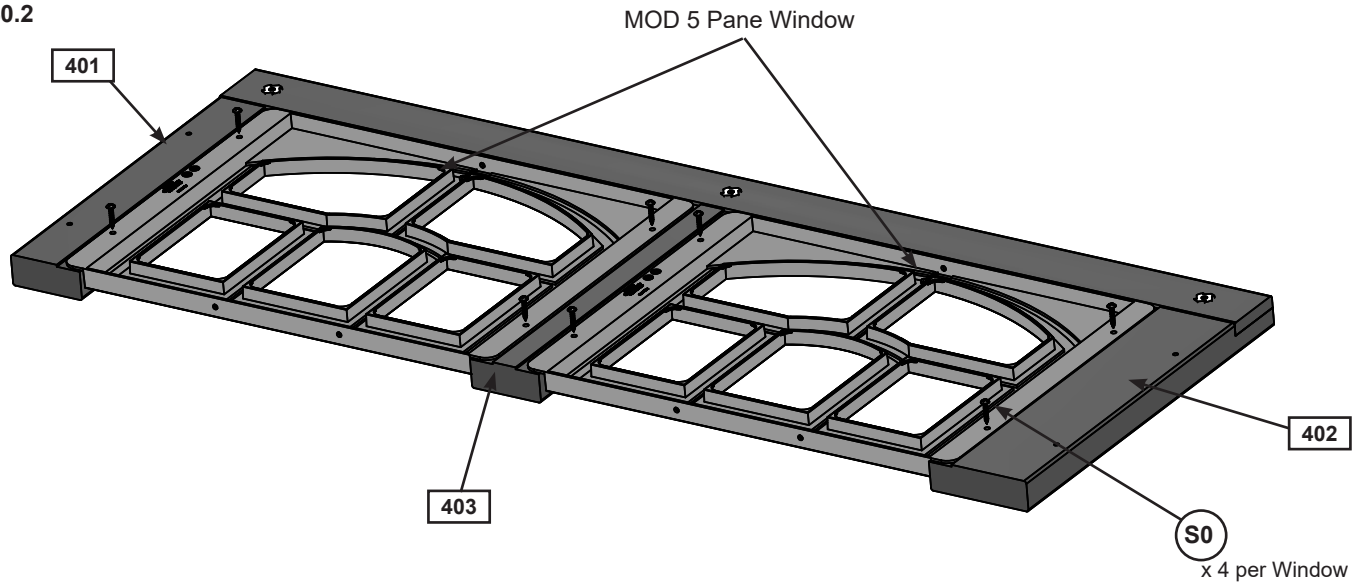
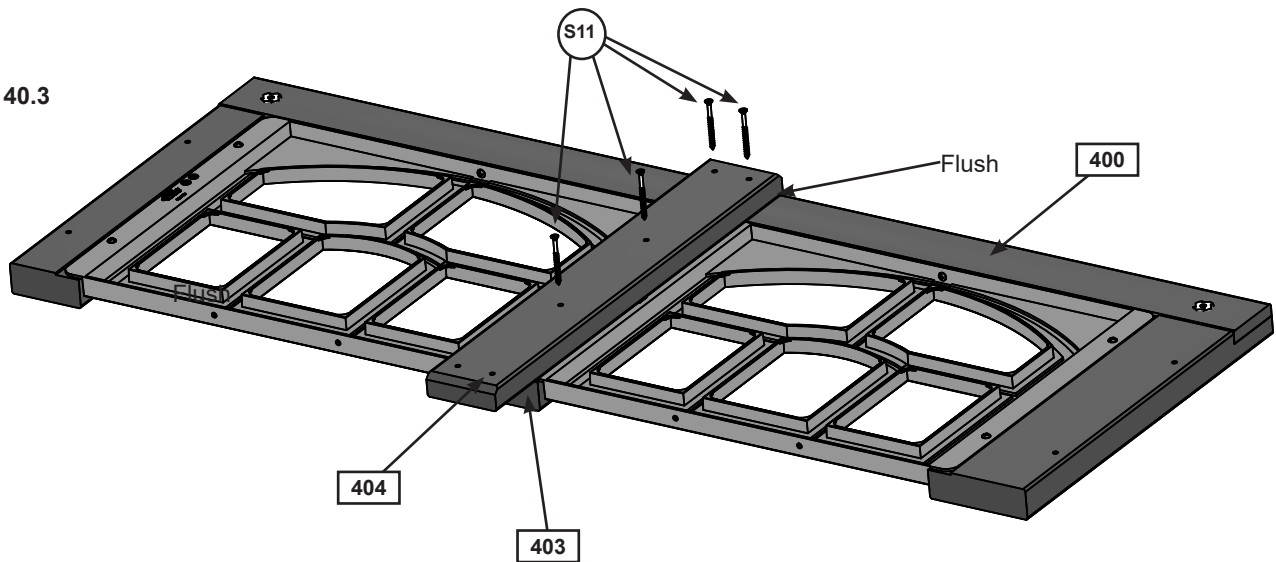


Fig. 40.3



Wood Parts

2 x **404** Wall Tie 15/16 x 3 x 19-1/4"

Hardware

16 x **S0** #8 x 7/8" Pan Screw

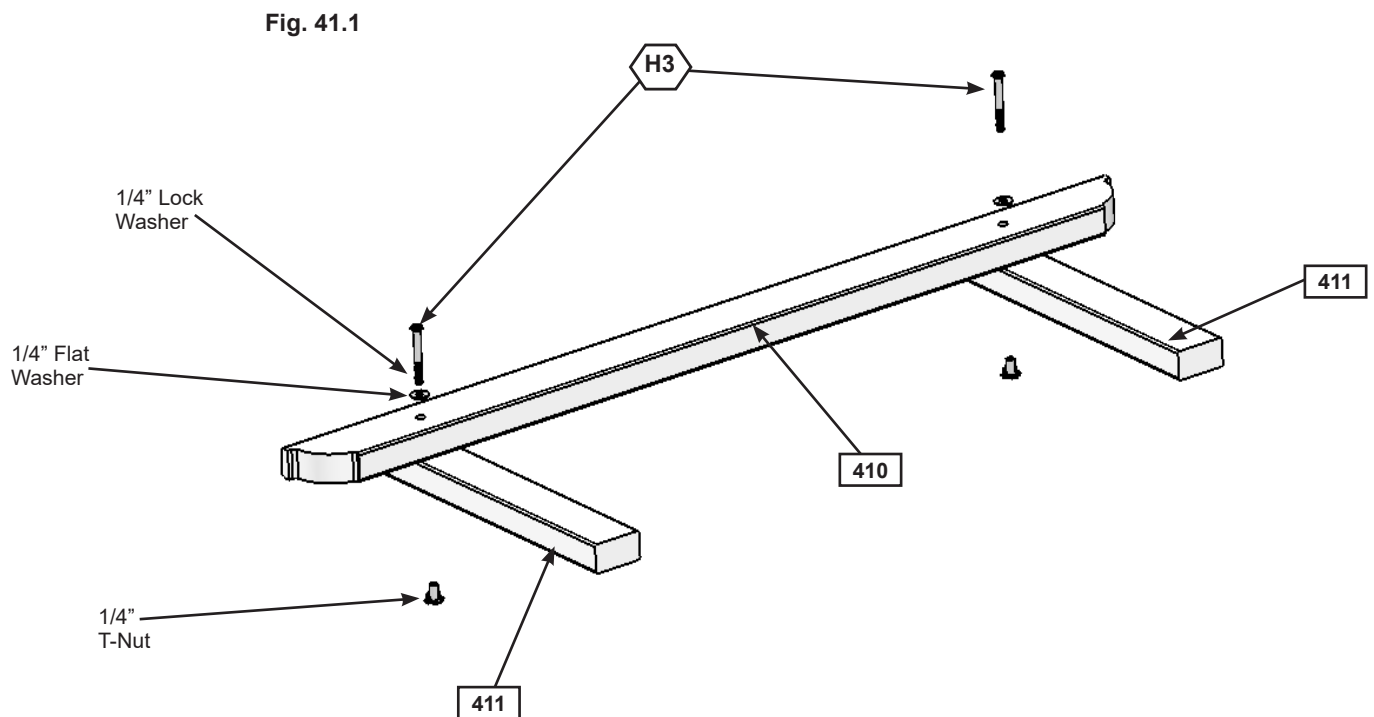
8 x **S11** #8 x 2" Wood Screw

Other Parts

4 x MOD 5 Pane Window

Step 41: Swing Top Assembly

A: Attach (410) Swing Top to 2 (411) Swing Side Uprights with 2 (H3) 1/4 x 2-1/2" Hex Bolts (with lock washer, flat washer and t-nut). (fig. 41.1)



Wood Parts

- 1 x (410) Swing Top 1-1/4 x 3 x 46-3/4"
- 2 x (411) Swing Side Upright 1-1/4 x 2-1/2 x 16-1/2"

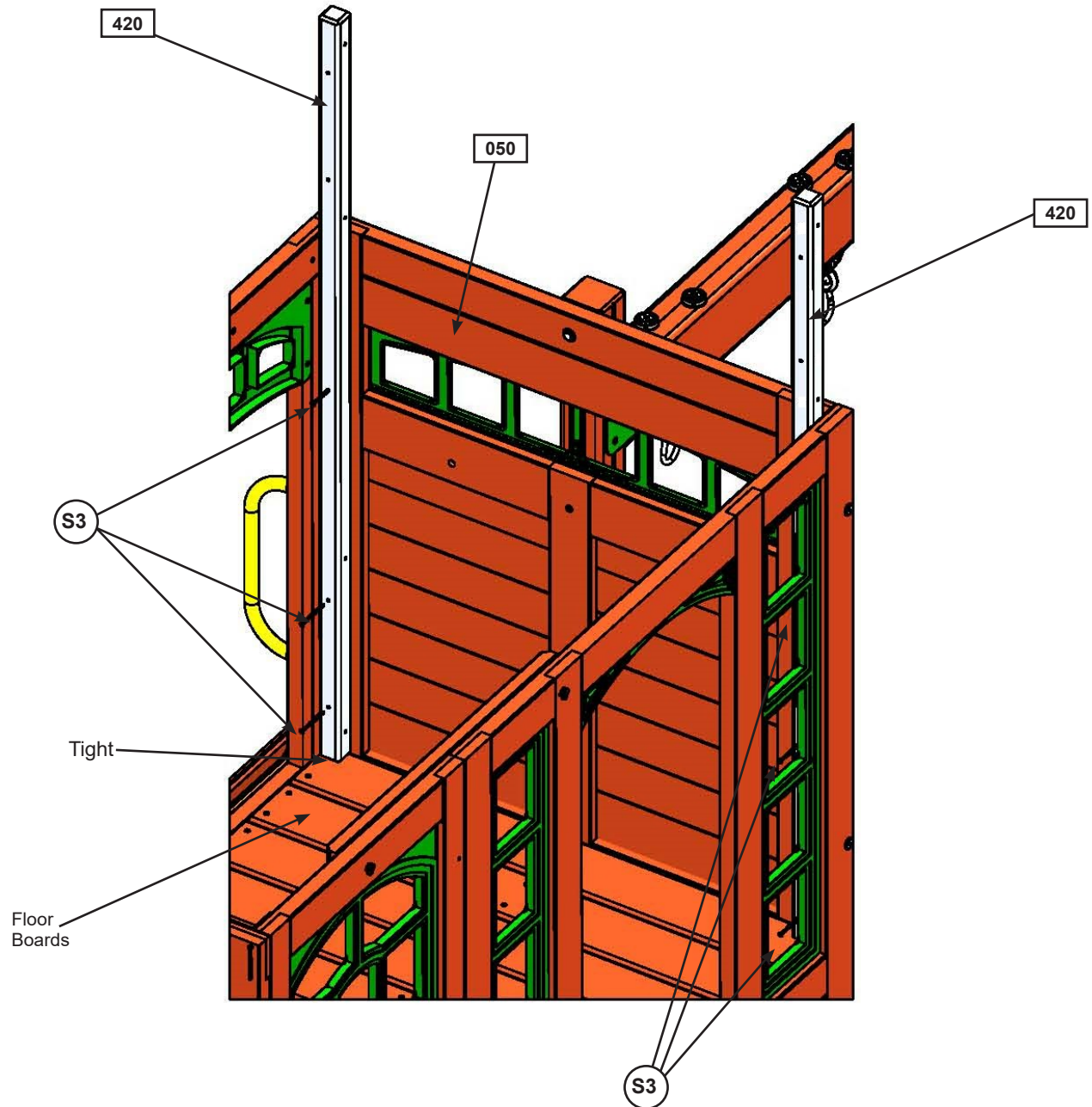
Hardware

- 2 x (H3) 1/4 x 2-1/2" Hex Bolt
(1/4" lock washer, 1/4" flat washer, 1/4" t-nut)

Step 42: Attach Wall Supports

A: Tight to the floor boards and tight in each corner of the (050) SW Wall Panel attach 2 (420) Wall Supports to (050) SW Wall Panel with 3 (S3) #8 x 2-1/2" Wood Screws per support. (fig. 42.1)

Fig. 42.1



Wood Parts

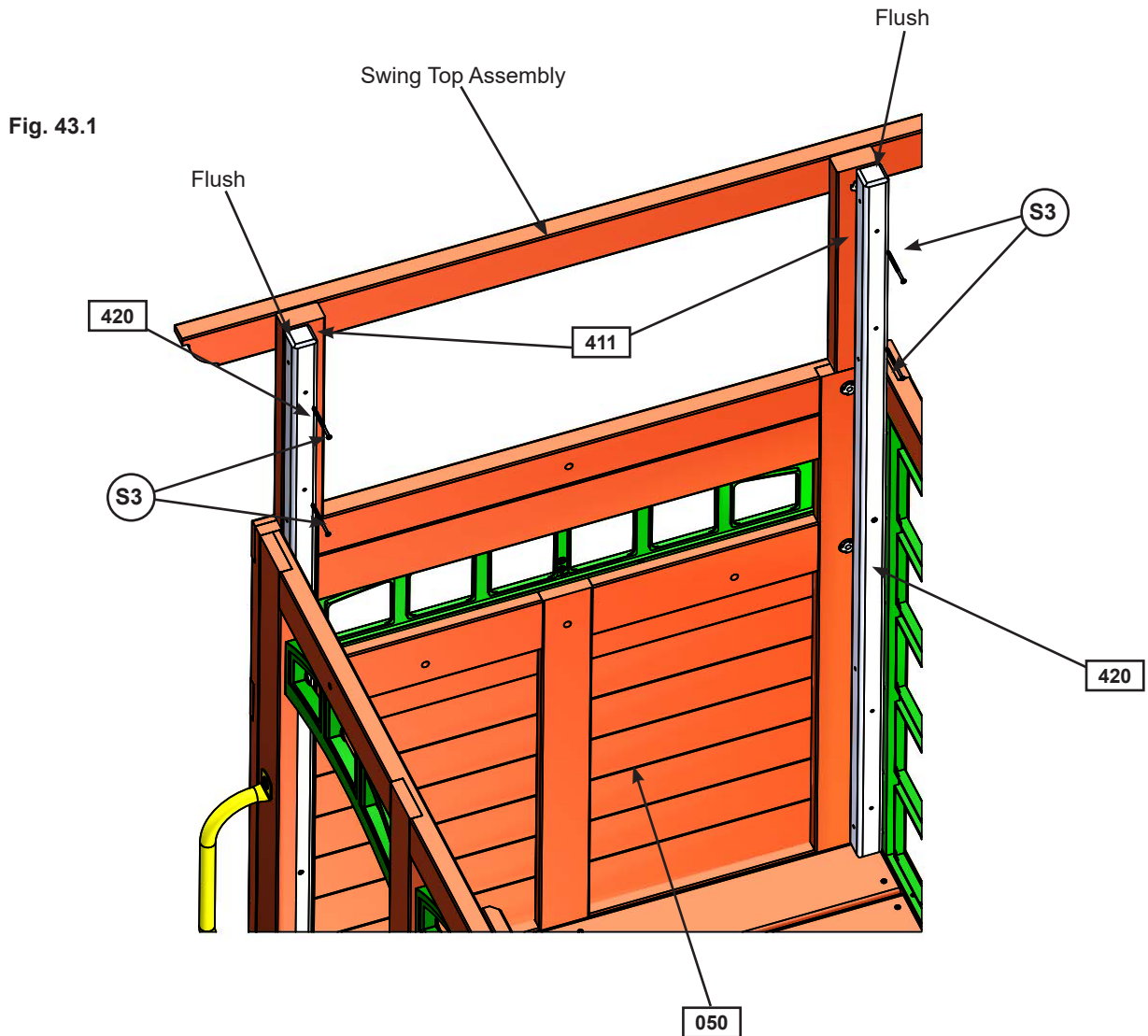
2 x 420 Wall Support 1-1/2 x 1-1/2 x 55-1/2"

Hardware

6 x S3 #8 x 2-1/2" Wood Screw

Step 43: Attach Swing Top Assembly

A: Tight to the top of (050) SW Wall Panel and flush to the outside of each (420) Wall Support place Swing Top Assembly then attach (420) Wall Supports to (411) Swing Side Uprights with 2 (S3) #8 x 2-1/2" Wood Screws per support. (fig. 43.1)



Hardware

4 x (S3) #8 x 2-1/2" Wood Screw

Step 44: Attach Transom Assembly Part 1

A: Place 1 Transom Assembly on both (051) Front Wall Panel and (052) Back Wall Panel so they are tight to (410) Swing Top and (420) Wall Supports. From the outside attach each Transom Assembly to (420) Wall Supports with 2 (S3) #8 x 2-1/2" Wood Screws per assembly. (fig. 44.1)

B: From the inside attach (420) Wall Supports to each Transom Assembly and both (051) Front Wall Panel and (052) Back Wall Panel with 4 (S3) #8 x 2-1/2" Wood Screws per support. (fig. 44.2)

C: From the inside attach each (404) Wall Tie to both (051) Front Wall Panel and (052) Back Wall Panel with 2 (S11) #8 x 2" Wood Screws per board. (fig. 44.2)

Fig. 44.1

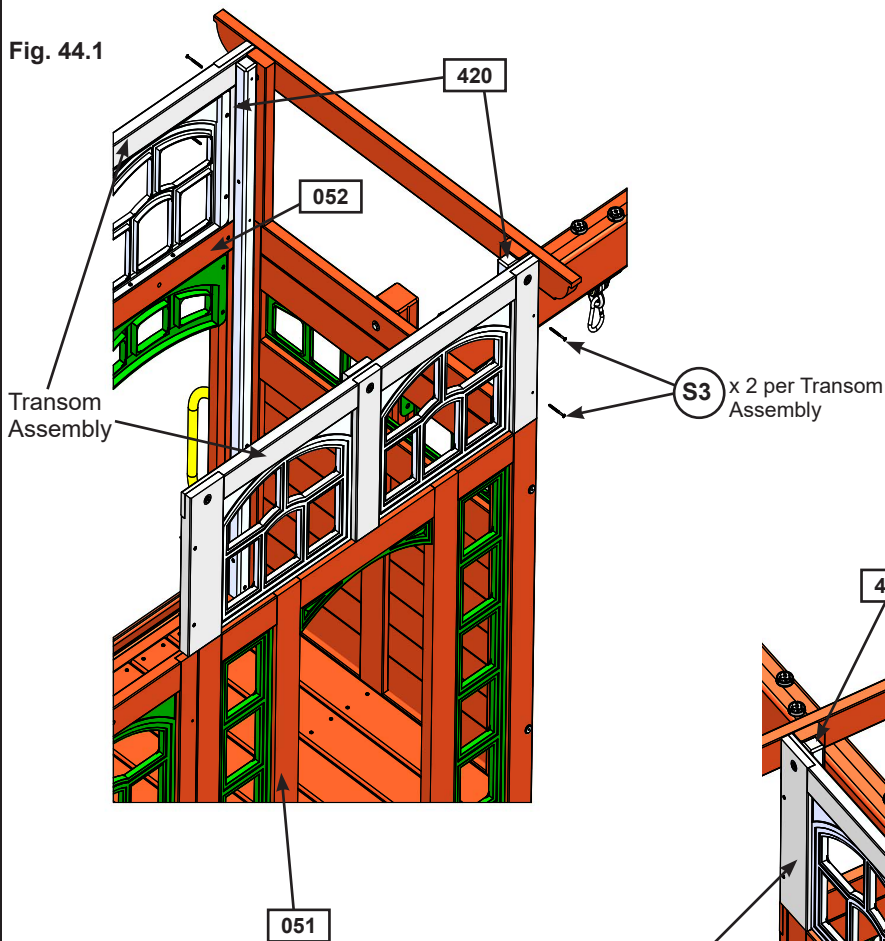
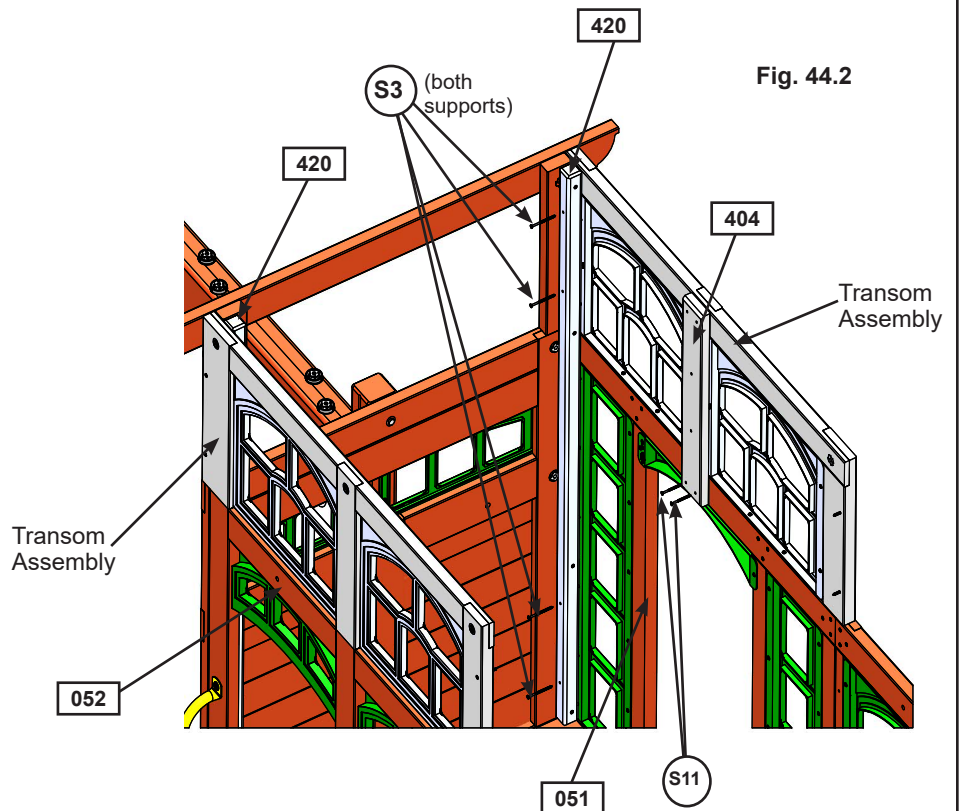


Fig. 44.2



Hardware

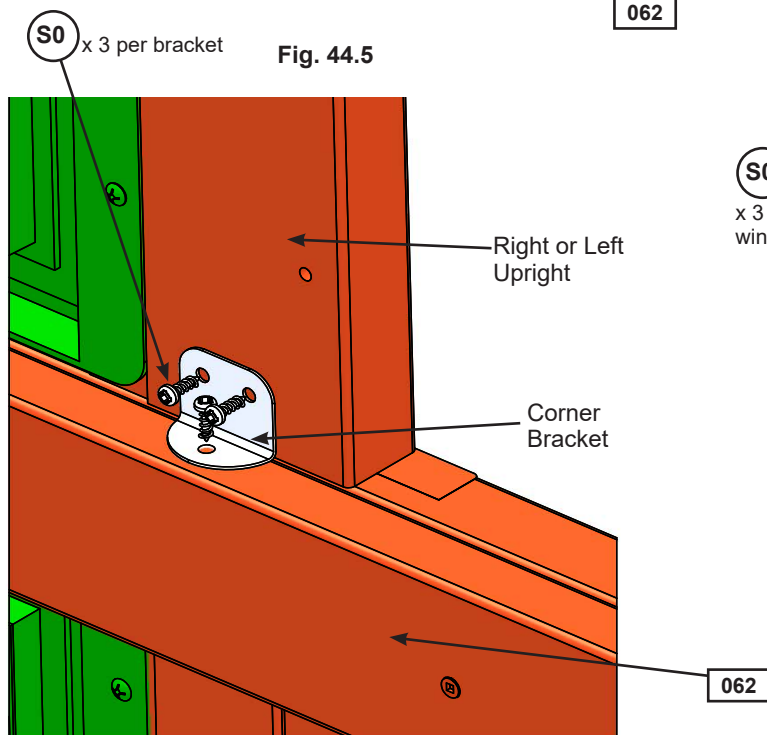
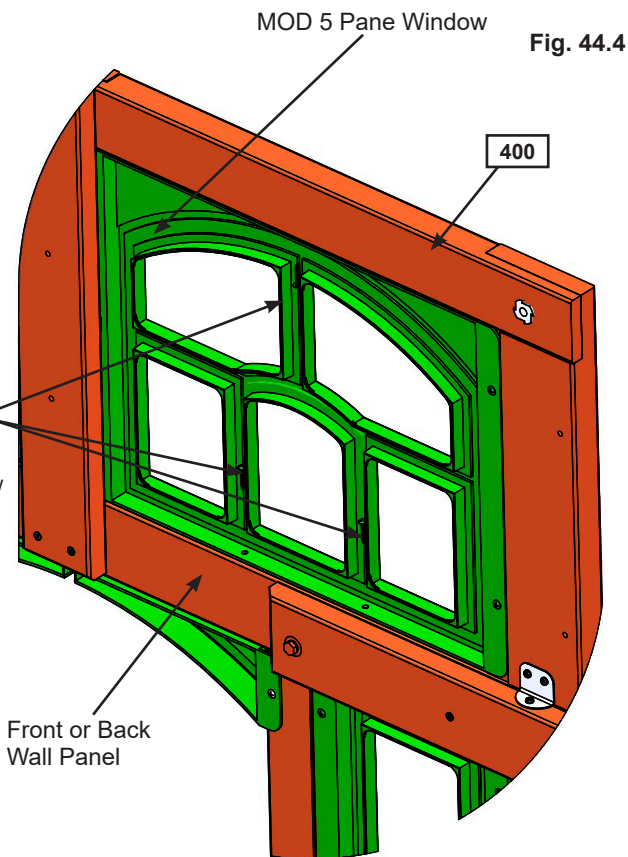
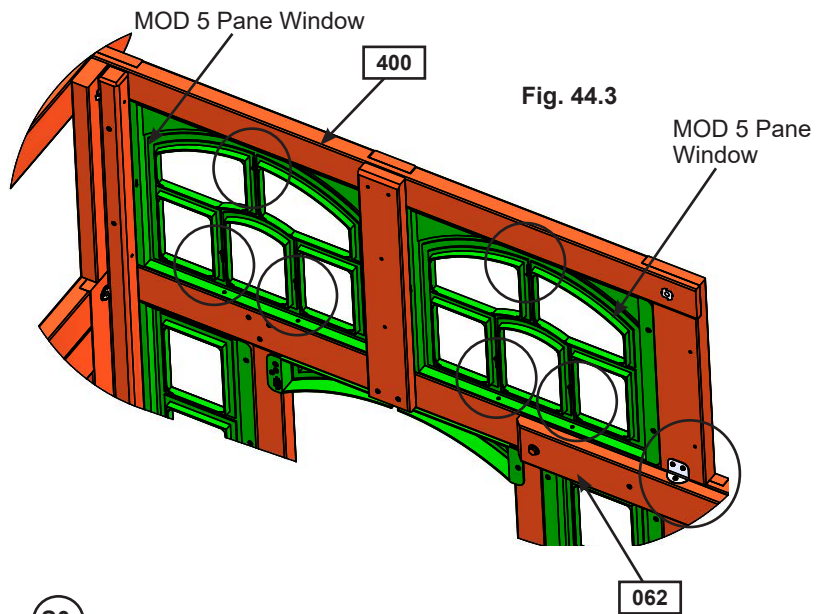
12 x (S3) #8 x 2-1/2" Wood Screw

4 x (S11) #8 x 2" Wood Screw

Step 44: Attach Transom Assembly Part 2

D: Attach the top of each MOD 5 Pane Window to each (400) TB Support with 1 (S0) #8 x 7/8" Truss Screw per window then attach bottom of windows to (051) Front Wall Panel and (052) Back Wall Panel with 2 (S0) #8 x 7/8" Truss Screws per window . (fig. 44.3 and 44.4)

E: Attach the outside upright of each Transom Assembly to (062) Wall Tie with 1 Corner Bracket per upright using 3 (S0) #8 x 7/8" Truss Screws per bracket. Corner Bracket to be centred on uprights. (fig. 44.3 and 44.5)



Hardware

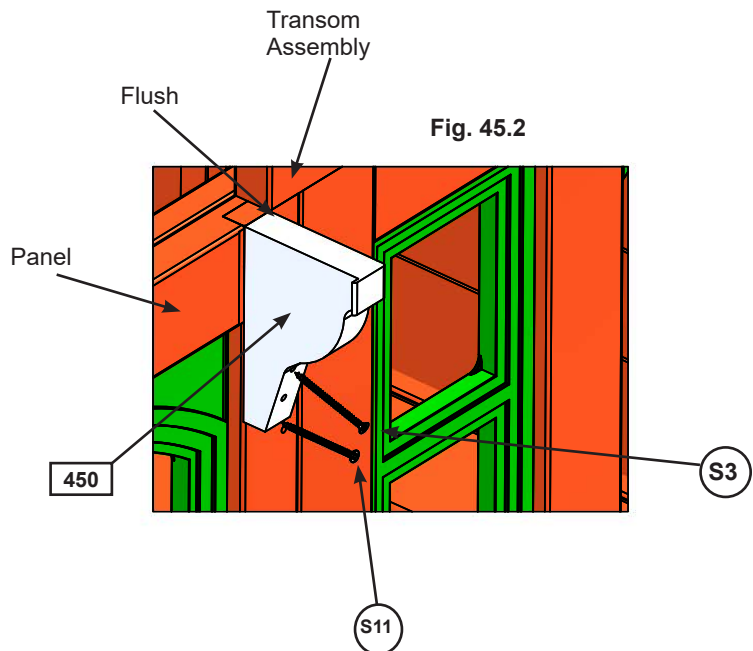
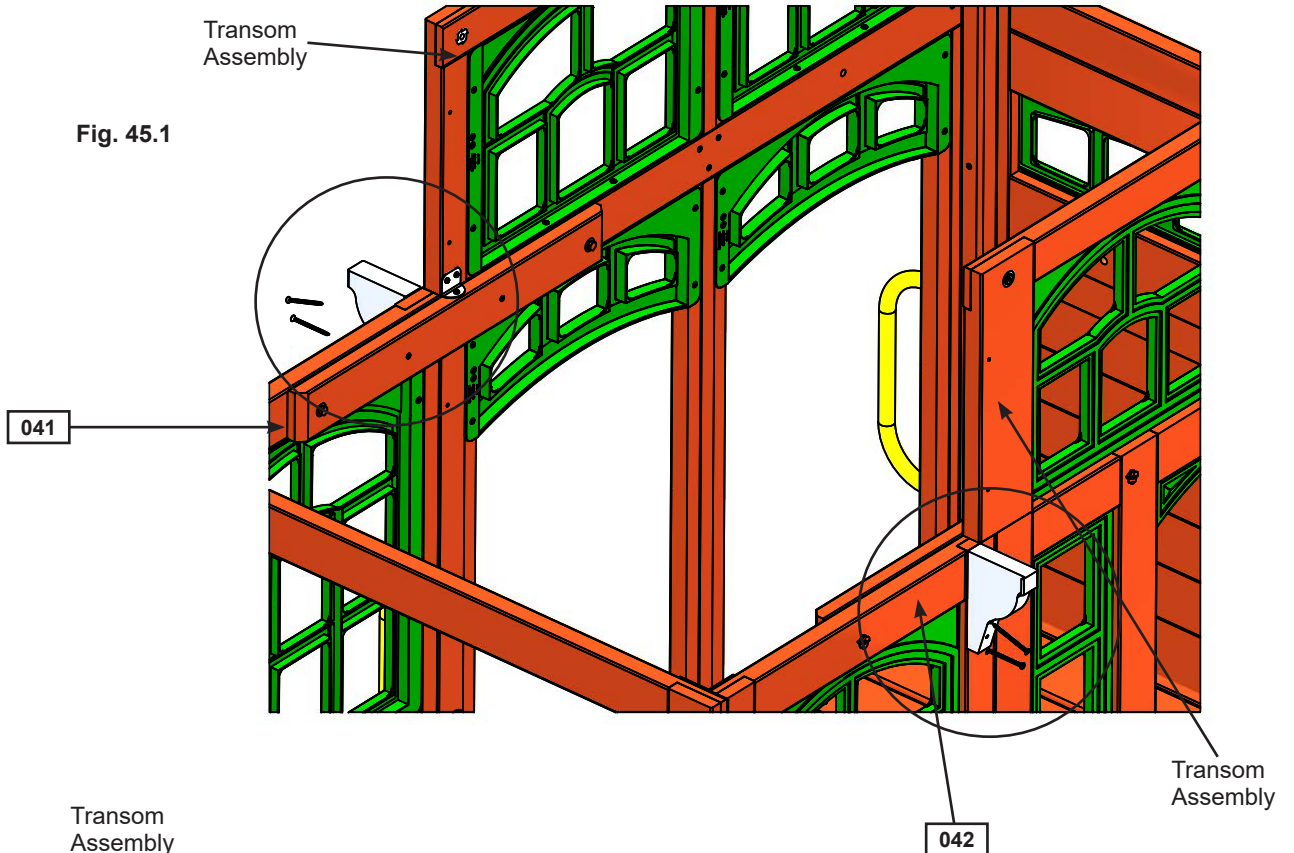
18 x (S0) #8 x 7/8" Truss Screw

Other Parts

2 x Corner Bracket

Step 45: Attach Mid Roof Ends

A: Flush to the tops of (041) Narrow Back Panel and (042) Narrow Front Panel and flush to the outside edge of each Transom Assembly attach 1 (450) Mid Roof End per panel with 1 (S11) #8 x 2" Wood Screw in the bottom hole and 1 (S3) #8 x 2-1/2" Wood Screw in the top hole per roof end. (fig. 45.1 and 45.2)



Wood Parts

2 x **450** Mid Roof End 1-1/4 x 4 x 6"

Hardware

2 x **S3** #8 x 2-1/2" Wood Screw

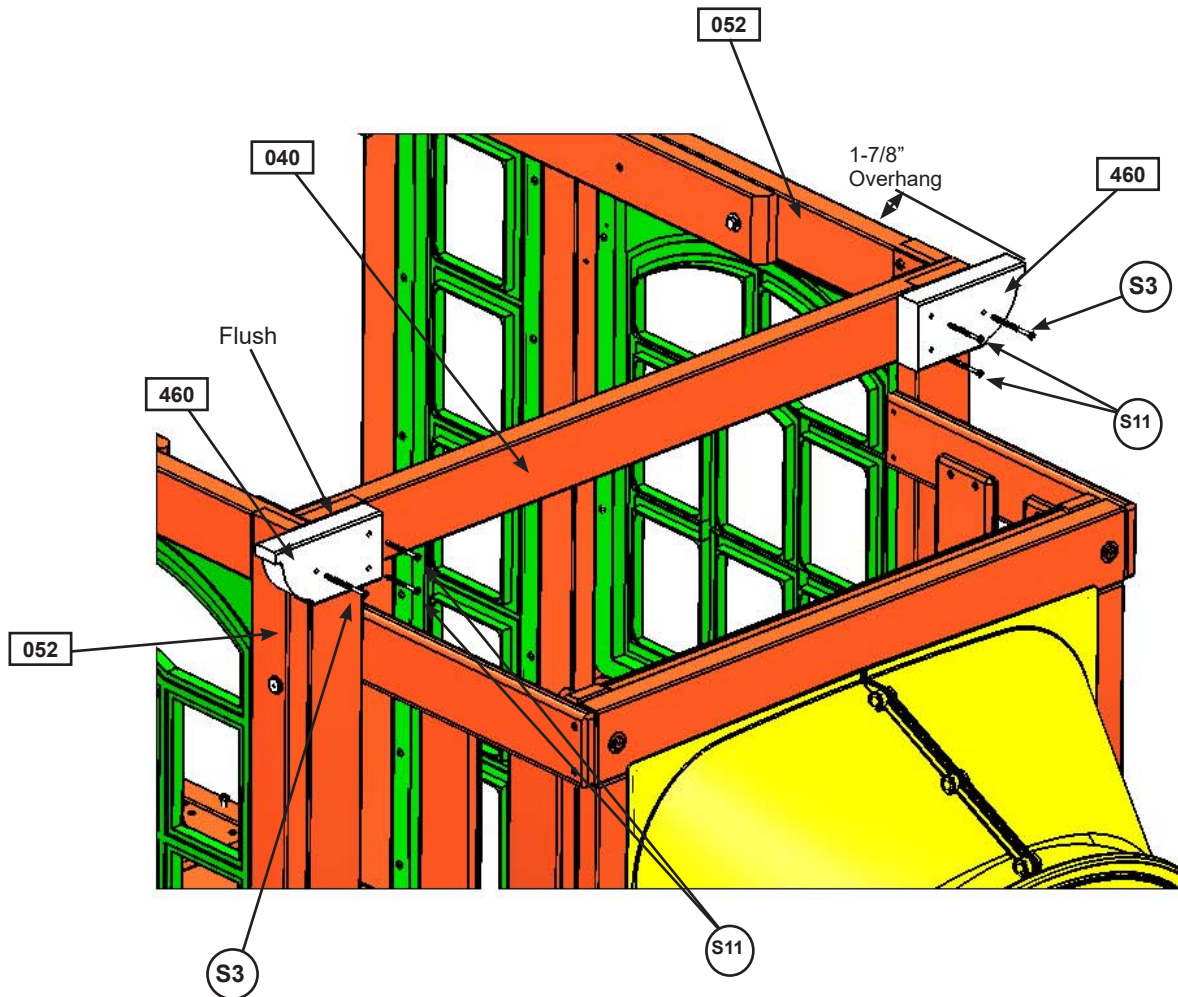
2 x **S11** #8 x 2" Wood Screw

Step 46: Attach Roof End Shorts



A: On (040) Slide End Panel place 1 (460) Roof End Short at each end flush to the top of the panel and each overhanging by 1-7/8" then attach with 2 (S11) #8 x 2" Wood Screws into the panel and 1 (S3) #8 x 2-1/2" Wood Screw into the front and back panels. (fig. 46.1)

Fig. 46.1



Wood Parts

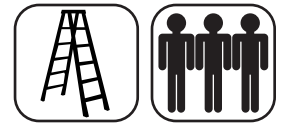
2 x **460** Roof End Short 1-1/4 x 3 x 6"

Hardware

2 x **S3** #8 x 2-1/2" Wood Screw

4 x **S11** #8 x 2" Wood Screw

Step 47: Attach Small Roof Assembly Part 1



A: With 2 people on the ground and at least 1 person in the fort, lift Small Roof Assembly up and over the Back side of the fort. Guide the Small Roof Assembly onto the fort so the ends of the Small Roof Support Assembly sit flush to the front and ends of each (460) Roof End Short. The ends of the Mid Roof Support Assembly should be flush to the ends of the (450) Mid Roof Ends and tight to the Transom Assemblies. (fig. 47.1 and 47.2)

B: Attach Small Roof Assembly to (450) Mid Roof Ends first then (460) Roof End Shorts with 1 (S3) #8 x 2-1/2" Wood Screw per corner. (fig. 47.2)

Fig. 47.1

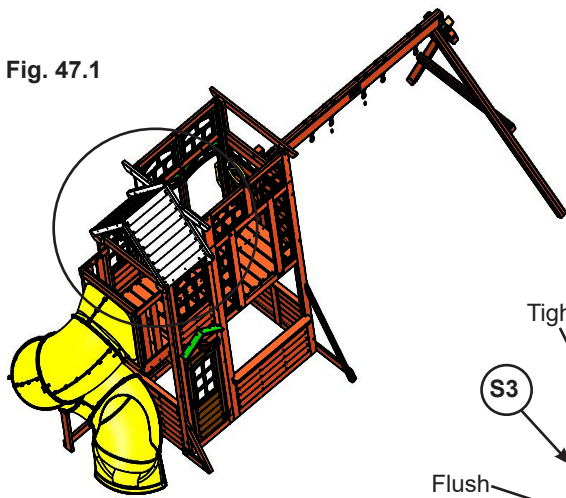
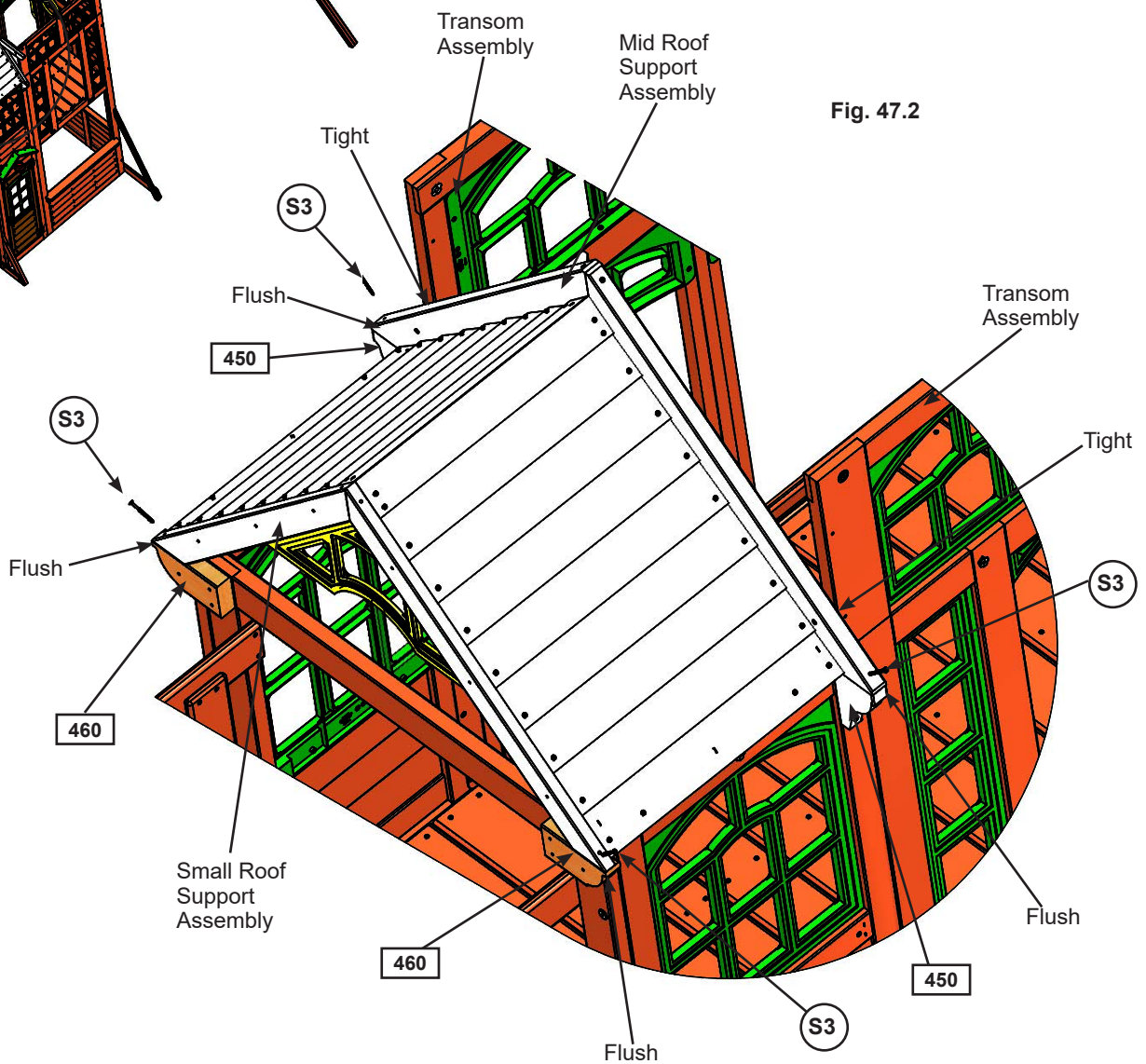


Fig. 47.2



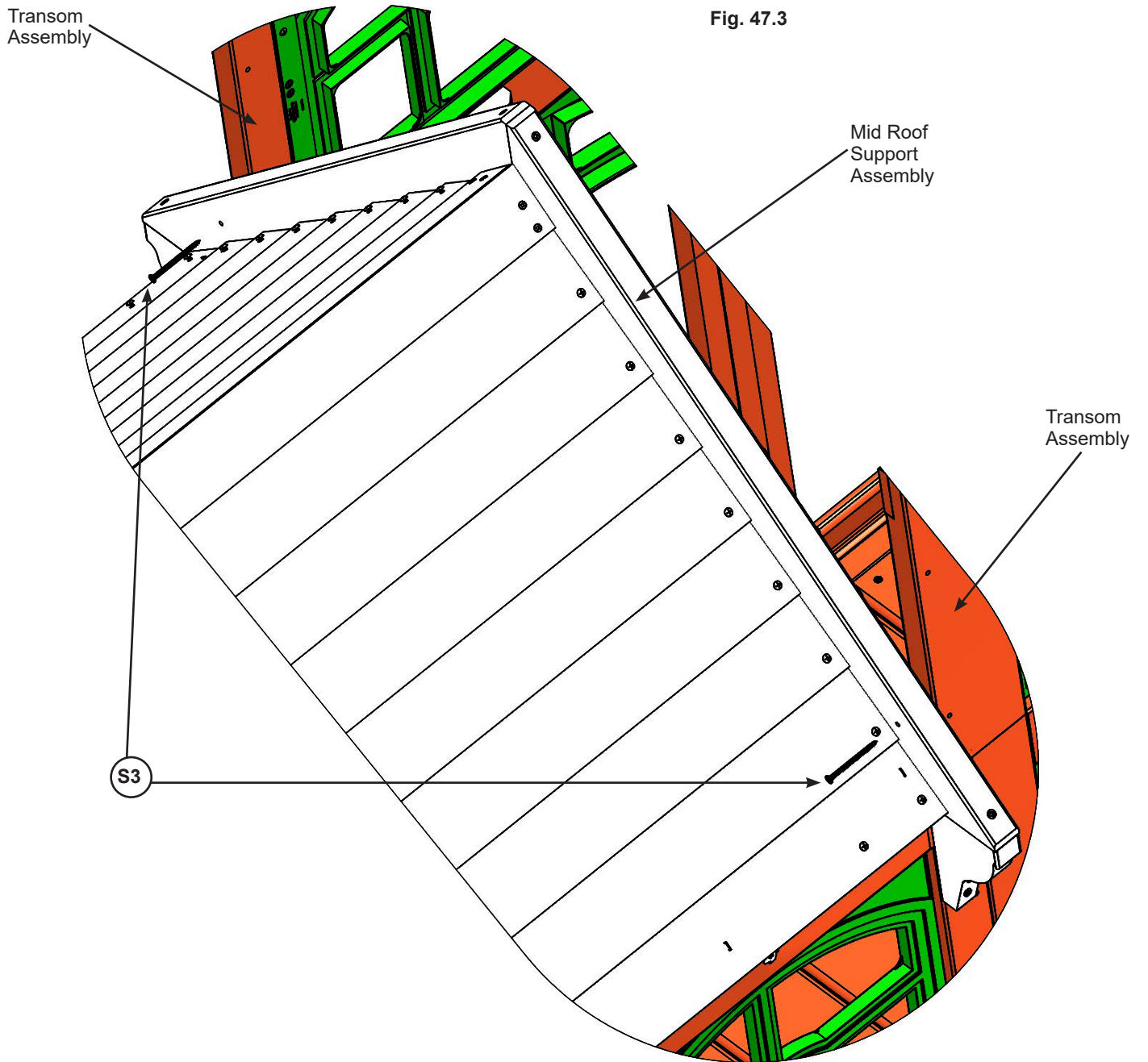
Hardware

4 x (S3) #8 x 2-1/2" Wood Screw


Step 47: Attach Small Roof Assembly Part 2



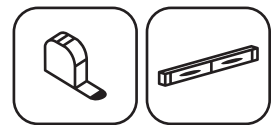
C: Attach Mid Roof Support Assembly to Transom Assemblies with 2 (S3) #8 x 2-1/2" Wood Screws. (fig. 47.3)



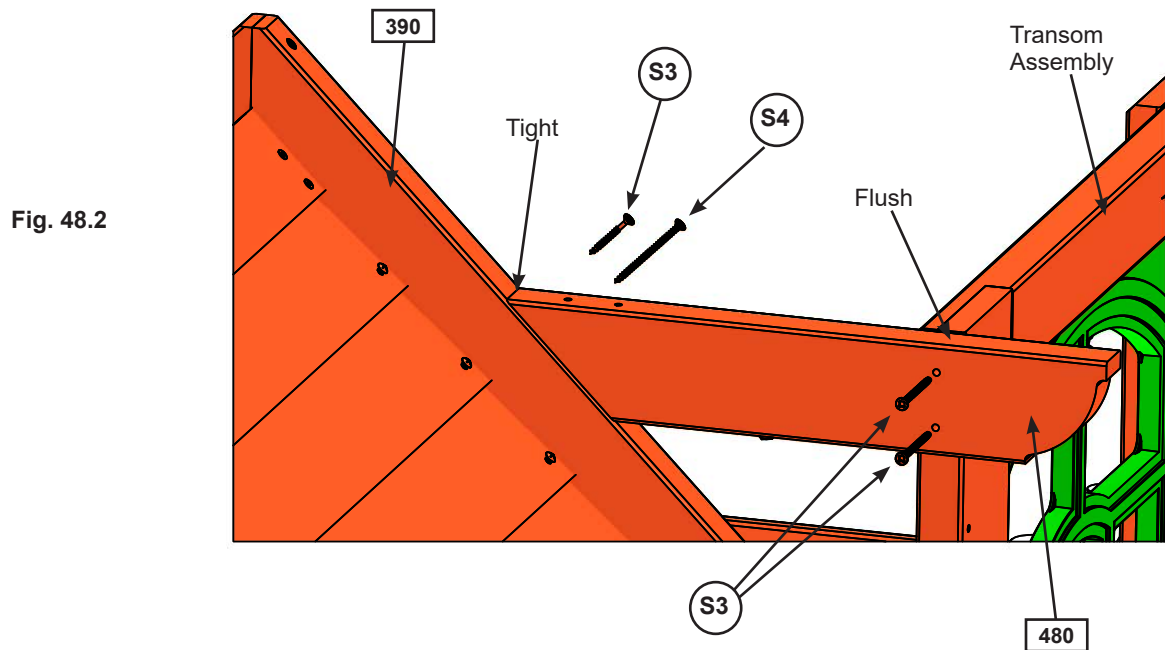
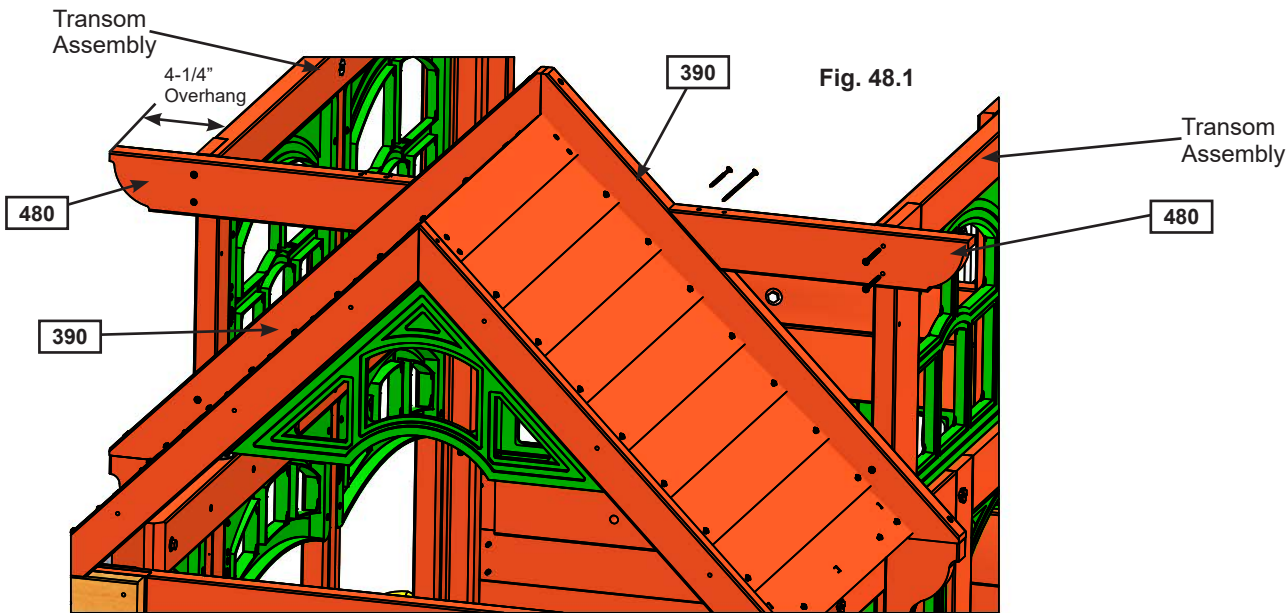
Hardware

2 x  #8 x 2-1/2" Wood Screw

Step 48: Attach Long Roof Ends



A: Place 1 (480) Long Roof End tight to each (390) Mid Roof Support and flush to the top of the Transom Assembly. Make sure (480) Long Roof End is level and the overhang at each end measures 4-1/4", then attach to (390) Mid Roof Supports with 1 (S3) #8 x 2-1/2" Wood Screw and 1 (S4) #8 x 3" Wood Screw per support and to each Transom Assembly using 2 (S3) #8 x 2-1/2" Wood Screws per assembly. (fig. 48.1 and 48.2)



Wood Parts

2 x **480** Long Roof End 1-1/4 x 3 x 16-3/8"

Hardware

6 x **S3** #8 x 2-1/2" Wood Screw

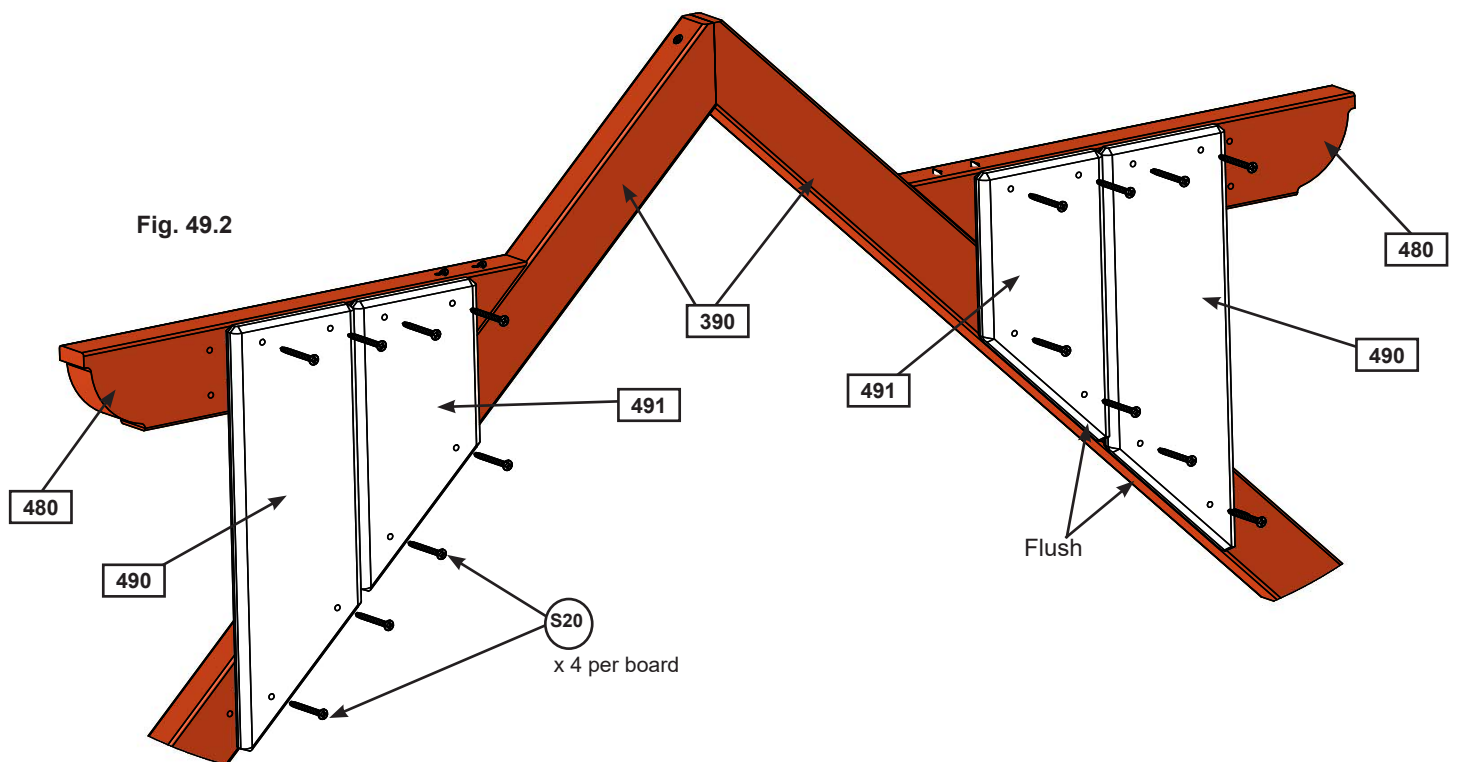
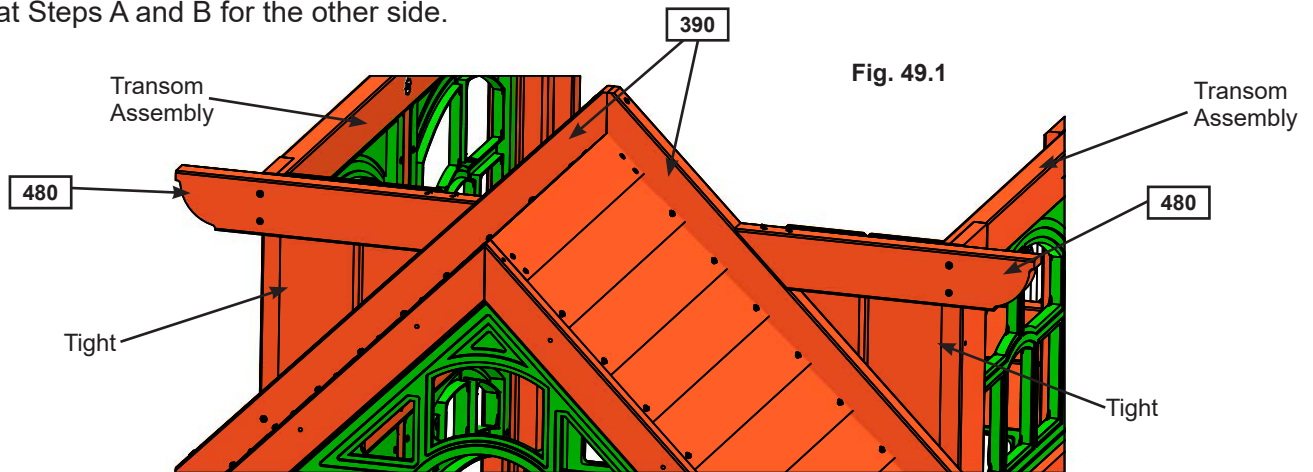
2 x **S4** #8 x 3" Wood Screw

Step 49: Attach Transom Boards

A: Tight to 1 Transom Assembly and flush to the bottom of (390) Mid Roof Support attach 1 (490) Transom Board A to (390) Mid Roof Support and (480) Long Roof End with 4 (S20) #8 x 1-3/8" Wood Screws. (fig. 49.1 and 49.2)

B: Tight to (490) Transom Board A and flush to the bottom of (390) Mid Roof Support attach 1 (491) Transom Board B to (390) Mid Roof Support and (480) Long Roof End with 4 (S20) #8 x 1-3/8" Wood Screws. (fig. 49.1 and 49.2)

C: Repeat Steps A and B for the other side.



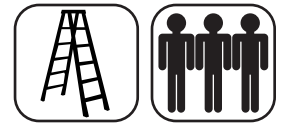
Wood Parts

2 x 490 Transom Board A 1 x 5 x 14-1/2"
2 x 491 Transom Board B 1 x 5 x 10"

Hardware

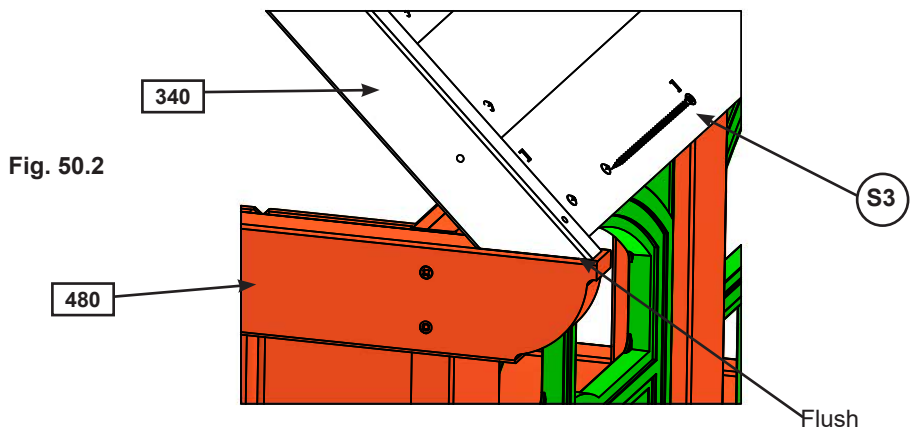
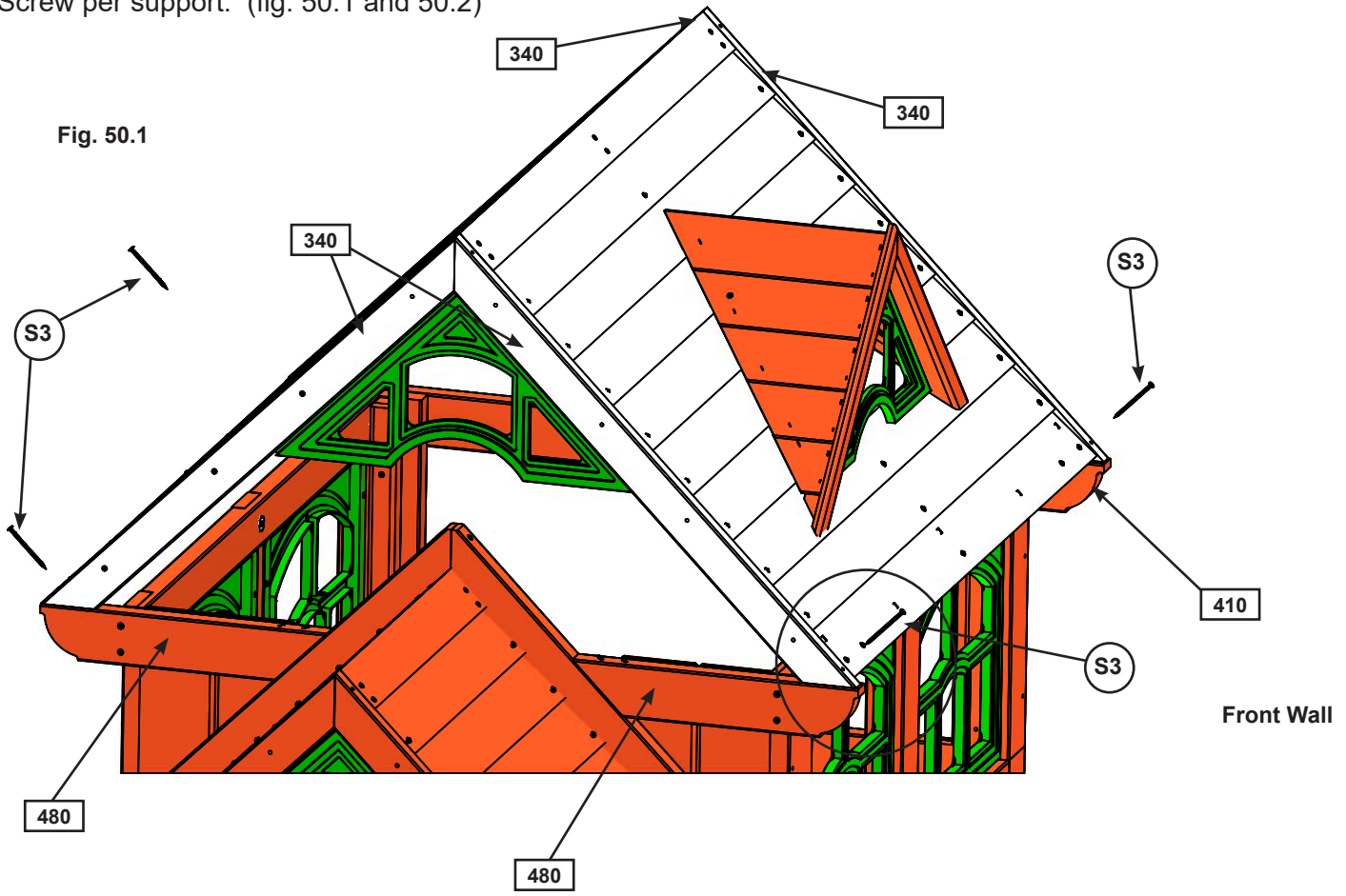
16 x S20 #8 x 1-3/8" Wood Screw

Step 50: Attach Large Roof Assembly



A: With 2 people on the ground and at least 1 person in the fort, lift the Large Roof Assembly up and over the Back side of the fort. Guide the Roof Assembly onto the fort so all four (340) Roof Supports sit flush to the front and outside edges of (410) Swing Top and each (480) Long Roof End. The Gable Dormer Assembly is at the Front. (fig. 50.1 and 50.2)

B: Attach (340) Roof Supports to (410) Swing Top and each (480) Long Roof End with 1 (S3) #8 x 2-1/2" Wood Screw per support. (fig. 50.1 and 50.2)



Hardware

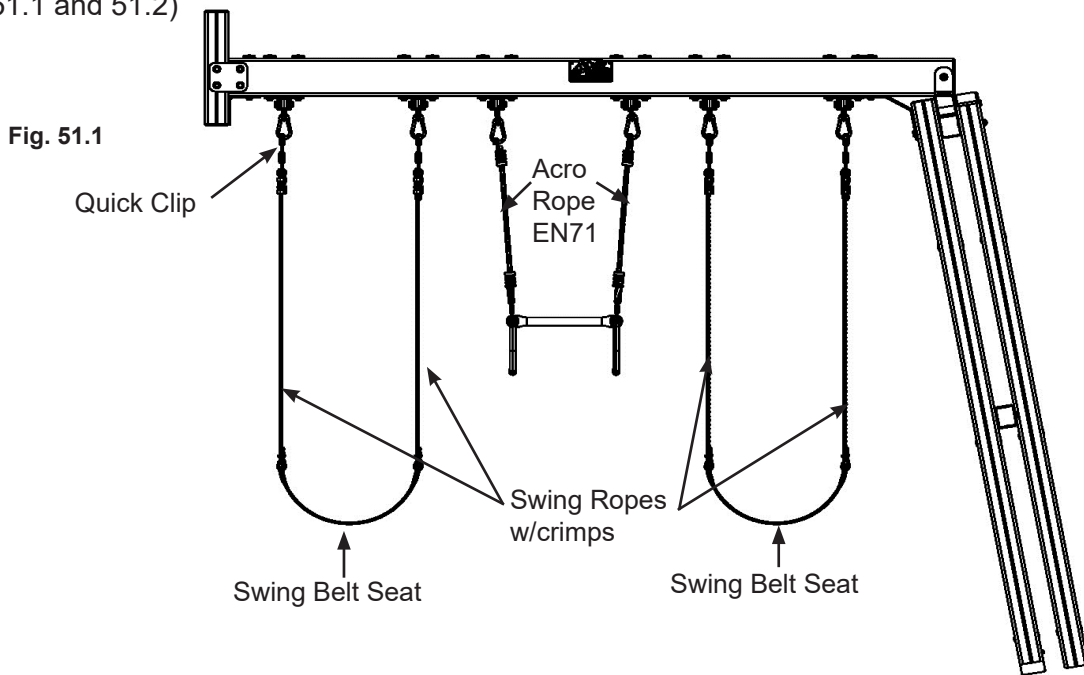
4 x (S3) #8 x 2-1/2" Wood Screw

Step 51: Attach Swings

A: Using 1 Threaded Clip per rope, join 1 Swing Rope w/crimps to each side of the Swing Belt Seat. Make sure to close the Threaded Clip tightly using an adjustable wrench. (fig. 51.1 and 51.2).

B: Using 1 Threaded Clip per rope, join the Acro Rope EN71 to the Acro Bar. Using another Threaded Clip, attach the Acro Handle to the Acro Bar. Make sure to close the Threaded Clip tightly using an adjustable wrench. (fig. 51.1 and 51.3)

C: Attach the other end of the swing and acro ropes to the Quick Clips attached to the swing hangers. (fig. 51.1 and 51.2)



European customers receive rope swing instead of chain due to EN71 standards: To be installed as per instructions.

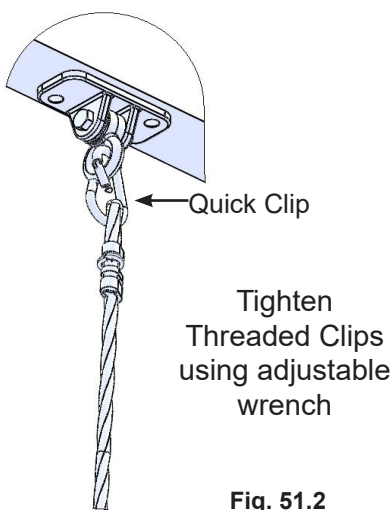


Fig. 51.2



Caution: Threaded Quick Links must be installed with the gate completely down covering the threads and tighten as instructed. (fig. 51.2)

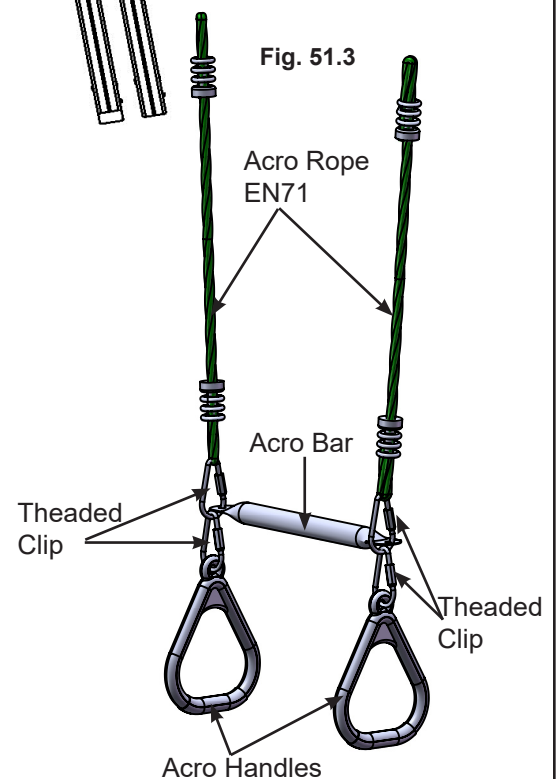


Fig. 51.3

Other Parts

- 1 x Acro Bar
- 2 x Acro Handle
- 2 x Swing Belt Seat
- 2 x Acro Rope EN71
- 4 x Swing Rope w/crimps
- 8 x Threaded Clips

Step 52: Attach Telescope

A: Centred on top of (050) SW Wall Panel above the Swing assembly attach Telescope with 2 (S20) #8 x 1-3/8" Wood Screws. (fig. 52.1 and 52.2)

Fig. 52.1

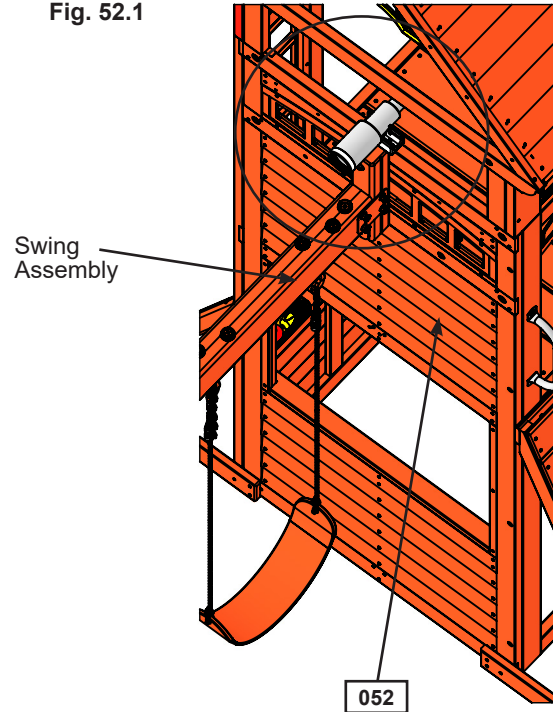
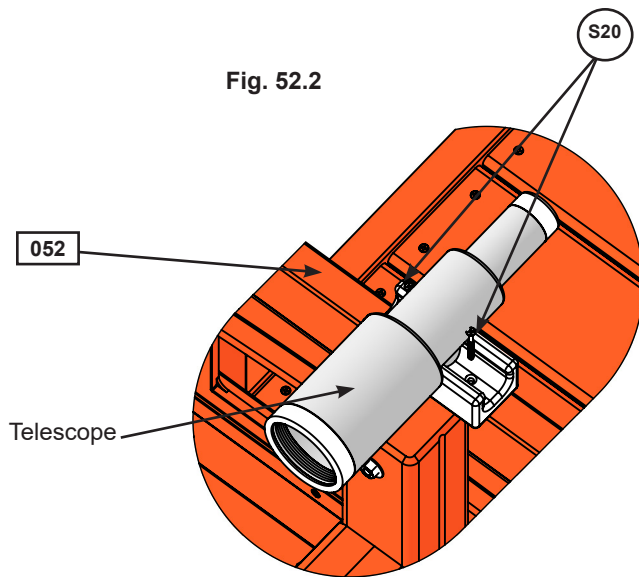


Fig. 52.2



Hardware

2 x (S20) #8 x 1-3/8" Wood Screw

Other Parts

1 x Telescope

Step 53: Attach Steering Wheel

A: On (050) SW Wall Panel attach Steering Wheel with 1 (G36) 5/16 x 2-3/4" Wafer Bolt (with flat washer x 2 and lock nut). The bolt is attached from the outside of the assembly. (fig. 53.1 and 53.2)

Fig. 53.1

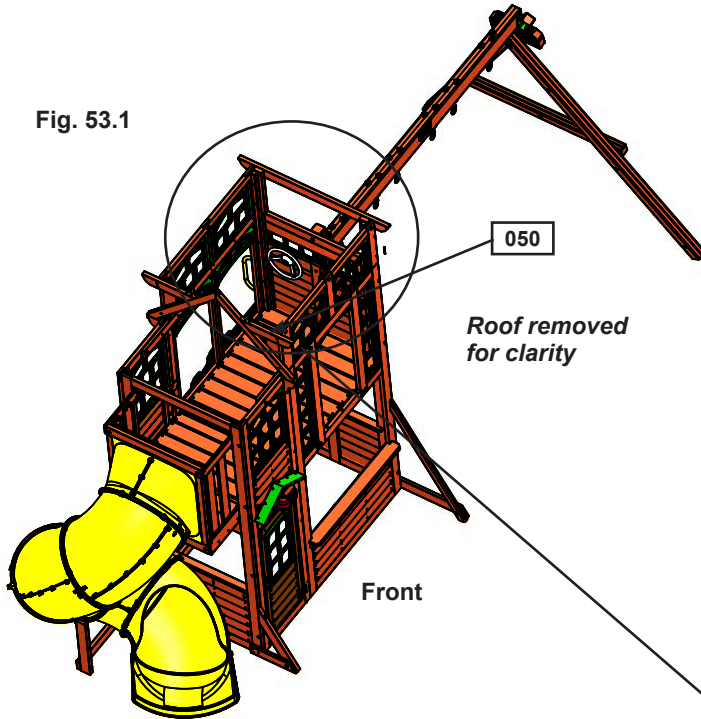
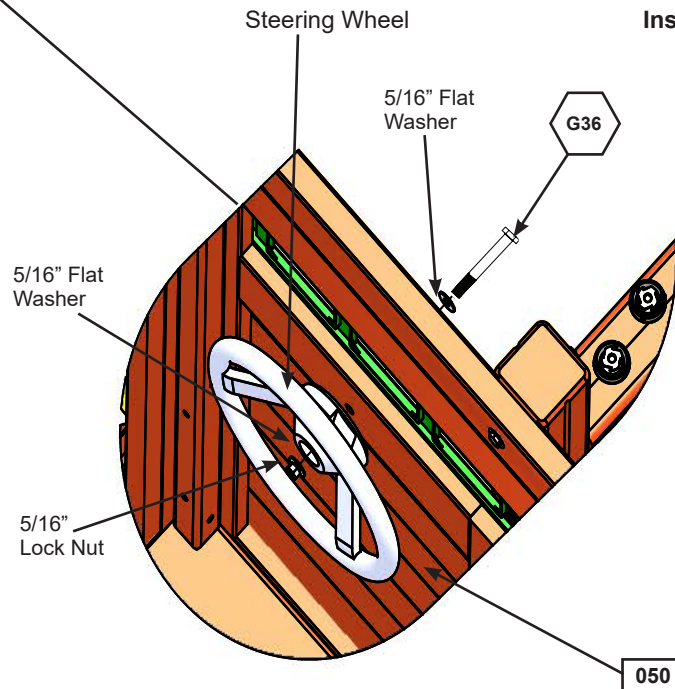


Fig. 53.2
Inside View



Hardware

1 x  5/16 x 2-3/4" Hex Bolt
(5/16" flat washer x 2, 5/16" lock nut)

Other Parts

1 x Steering Wheel

Step 54: Attach Slide to Fort



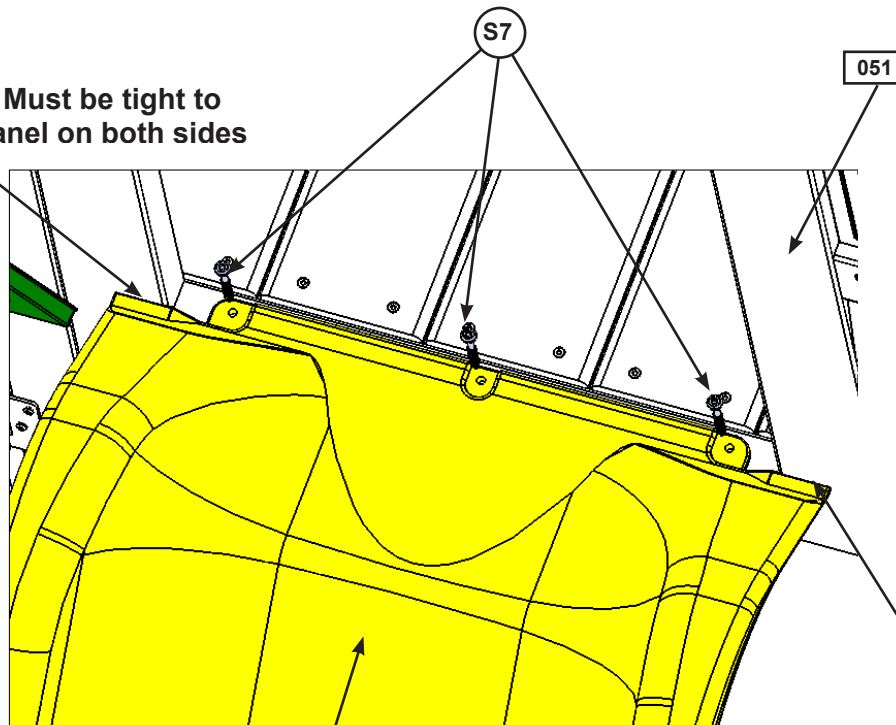
Note: Pre-drill all holes using a 1/8" drill bit before installing the pan screws.

A: Place Slide centred in the opening of the (051) Front Wall Panel. Slide must be tight to the outside of (051) Front Wall Panel. (fig. 54.1)

B: Attach slide to fort using 3 (S7) #12 x 2" Pan Screws. (fig. 54.1)

Fig. 54.1

Warning! Must be tight to (051) Front Wall Panel on both sides



Slide

Warning! Must be tight to (051) Front Wall Panel on both sides

Warning! Check entire play center for bolts protruding beyond T-Nuts. Use extra washers to eliminate this condition.

Hardware

3 x (S7) #12 x 2" Pan Screw

Other Parts

1 x Slide

Step 55: Assemble and Attach Bell

A: Centred under the peak of the Bell Support Assembly attach Horseshoe Mount to (042) Narrow Front Panel with 4 (S0) #8 x 7/8" Truss Screws. (fig. 55.1, 55.2 and 55.3)

B: Thread the Steel Clapper Line through the Bolt. Slide Bell under overhang of Horseshoe Mount then insert Bolt up through Bell and Horseshoe Mount then secure with Nut. Make sure it is tight. (fig. 55.1, 55.3 and 55.4)

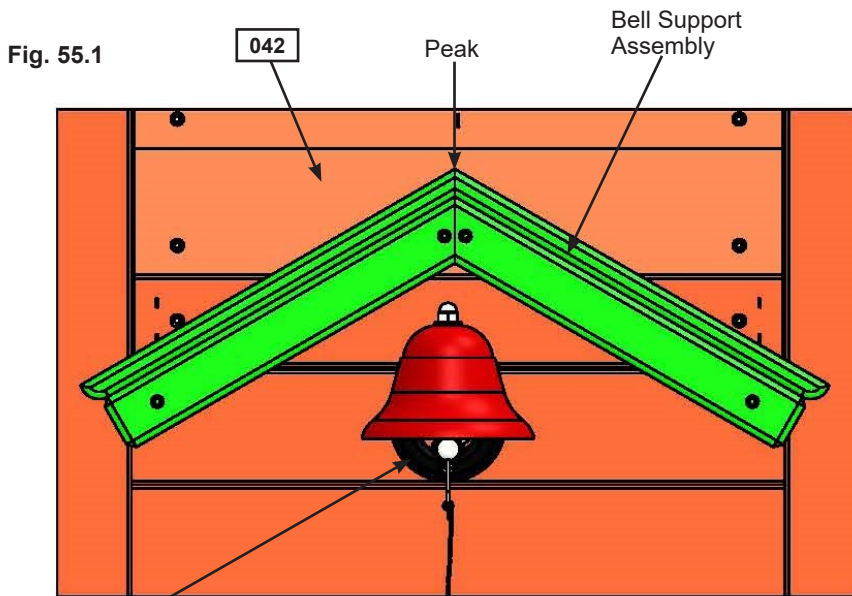


Fig. 55.1

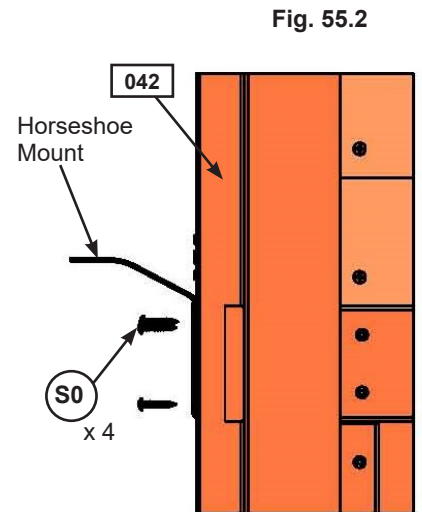


Fig. 55.2

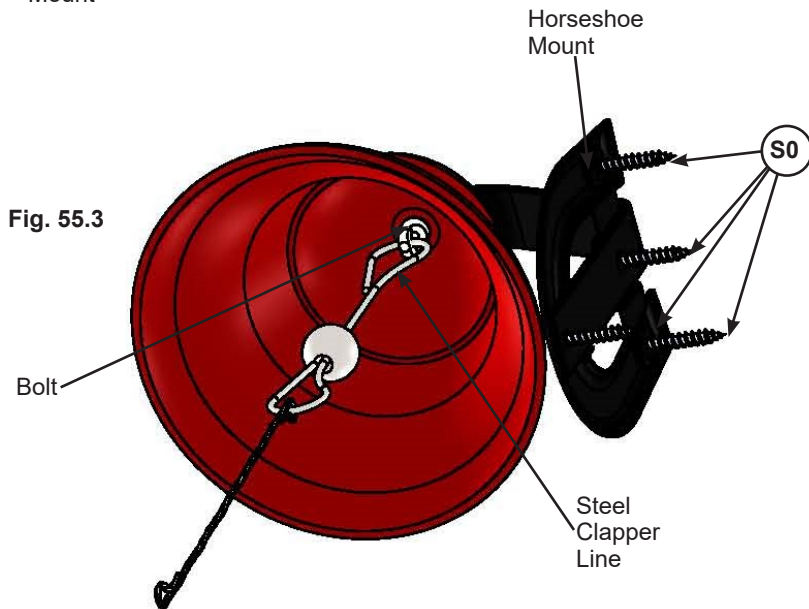


Fig. 55.3

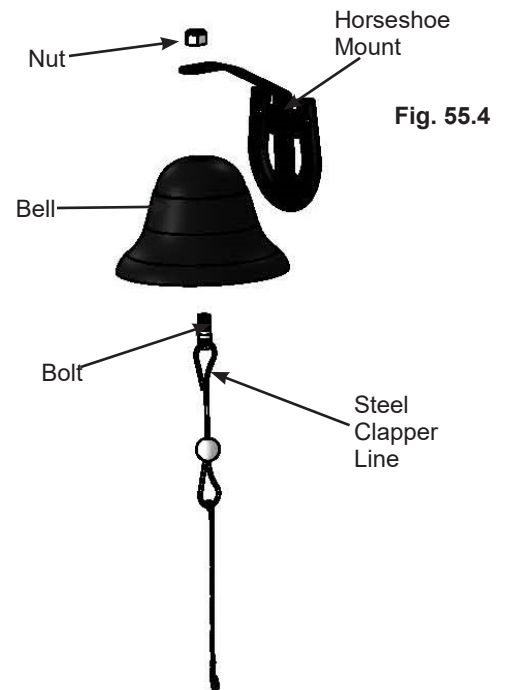


Fig. 55.4

Hardware

4 x (S0) #8 x 7/8" Truss Screw

Other Parts

1 x Bell with Horseshoe Mount

Step 56: Assemble and Attach BBQ Kitchen Part 1



A: On (051) Front Wall place BBQ Base on (131) Table Top. Use BBQ Cooktop as a guide so there is enough room for BBQ Cooktop and 1" gap to the edge of the wall to the left of BBQ Base. Attach BBQ Base to (131) Table Top with 4 (S0) #8 x 7/8" Truss Screws. (fig. 56.1, 56.2, 56.3 and 56.4)

B: Snap BBQ Lid on to the back of BBQ Base. (fig. 56.3 and 56.4)

Fig. 56.1

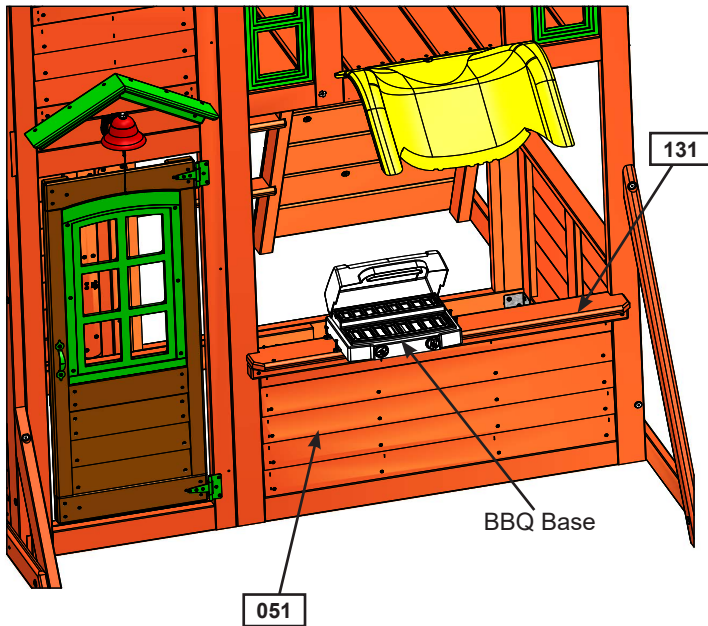


Fig. 56.2

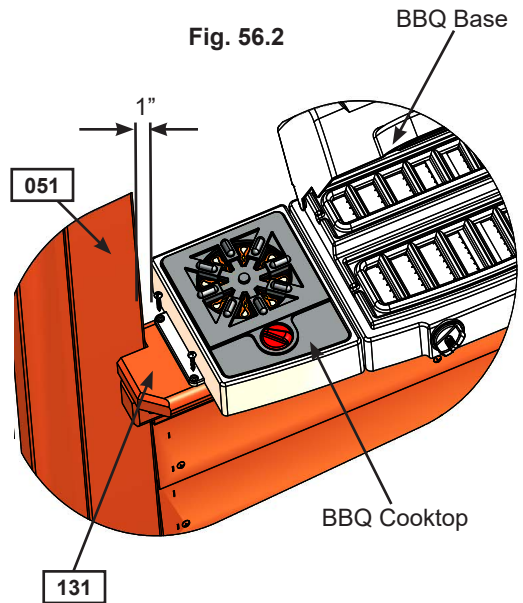


Fig. 56.3

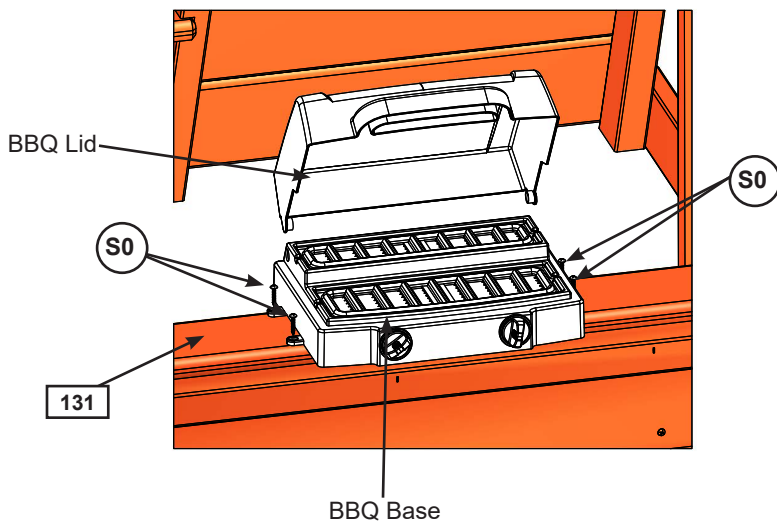
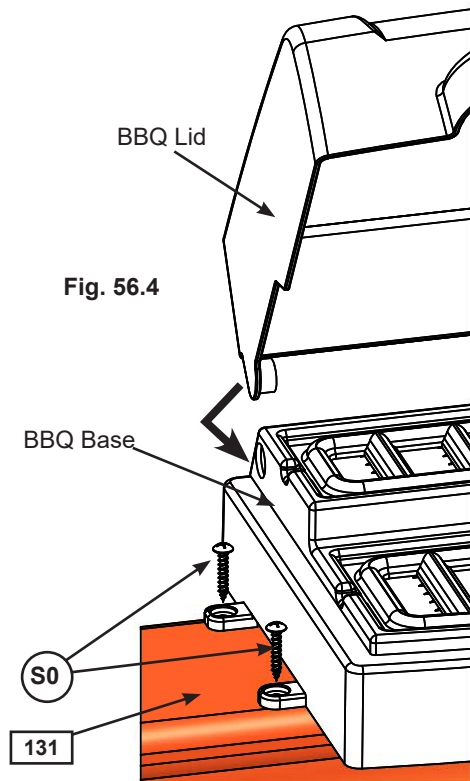


Fig. 56.4



Hardware

4 x (S0) #8 x 7/8" Truss Screw

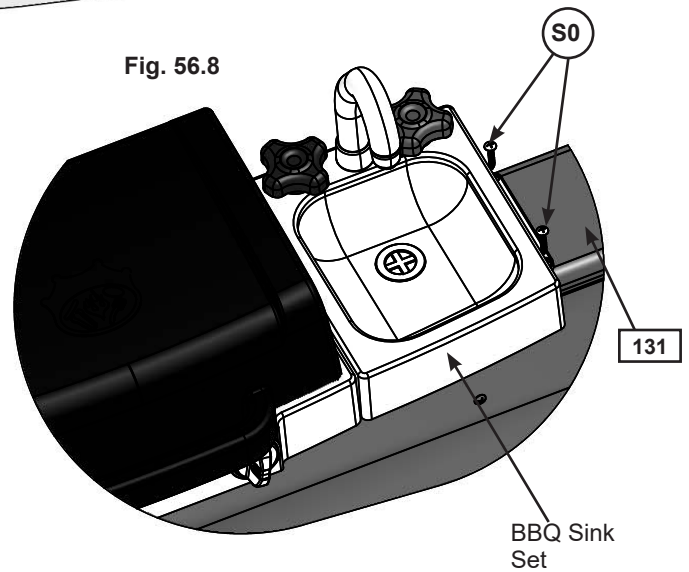
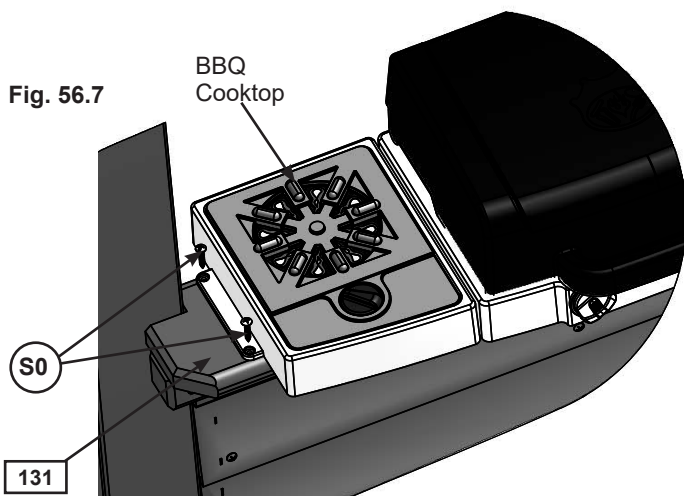
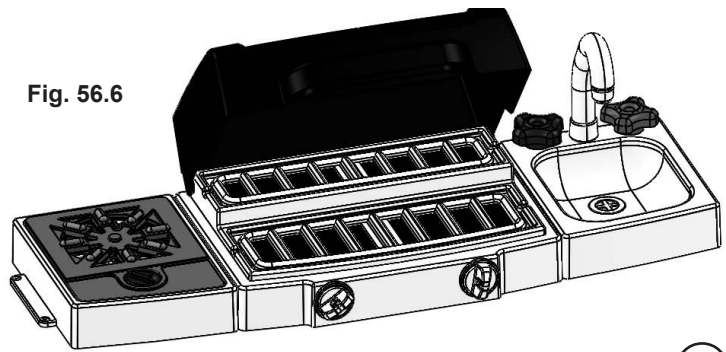
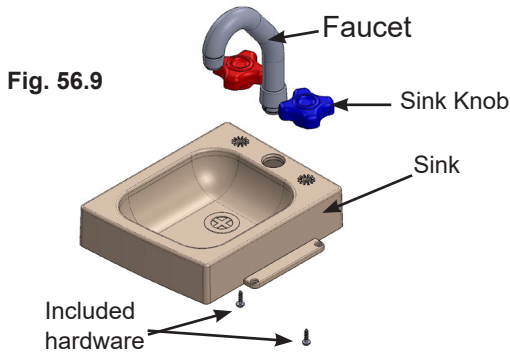
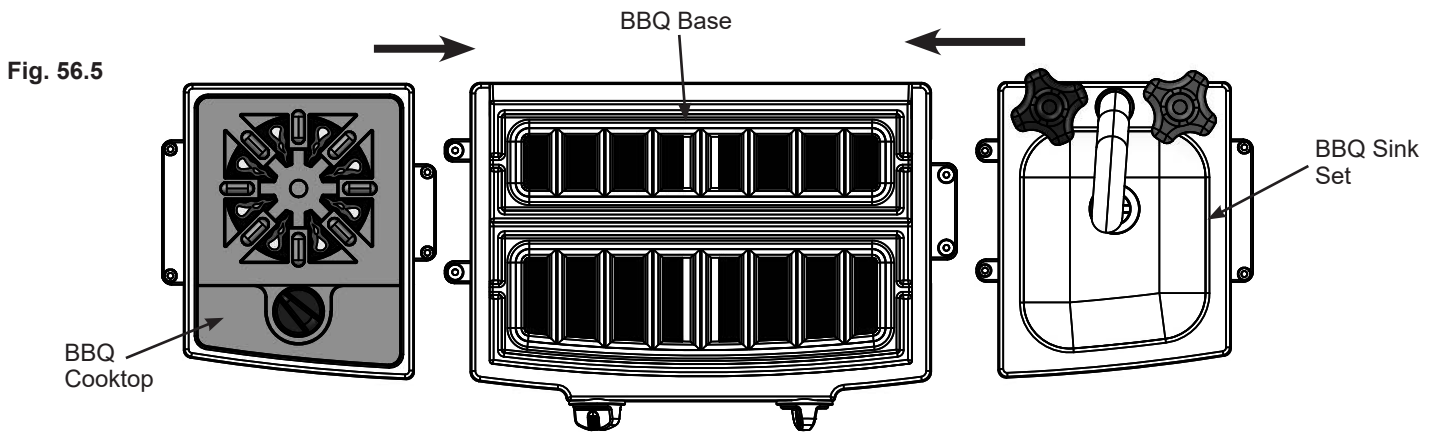
Other Parts

1 x BBQ Base
1 x BBQ Lid

Step 56: Assemble and Attach BBQ Kitchen Part 2

C: Slide BBQ Cooktop tight beside BBQ Base on the left and BBQ Sink Set tight on the right. Attach both BBQ Cooktop and BBQ Sink Set to (131) Tabel Top with 2 (S0) #8 x 7/8" Truss Screws each. (fig. 56.5, 56.6, 56.7 and 56.8)

D: Place Faucet and 2 Sink Knobs in opening of Sink and attach Sink Knobs with included hardware. (fig. 56.9)
Important: Use a hand held screw driver and **DO NOT** over tighten.



Hardware

4 x (S0) #8 x 7/8" Truss Screw

Other Parts

1 x BBQ Cooktop
 1 x BBQ Sink

Step 57: Attach Utensil Shelves Part 1



A: From outside the assembly in the top of the opening of (051) Front Wall Panel, 1" in from the panel, attach 1 Utensil Shelf with 2 (S0) #8 x 7/8" Truss Screws as shown in fig. 57.1, 57.2 and 57.3.

B: Attach Sign to the Utensil Shelf. (fig. 57.1 and 57.3)

Fig. 57.1

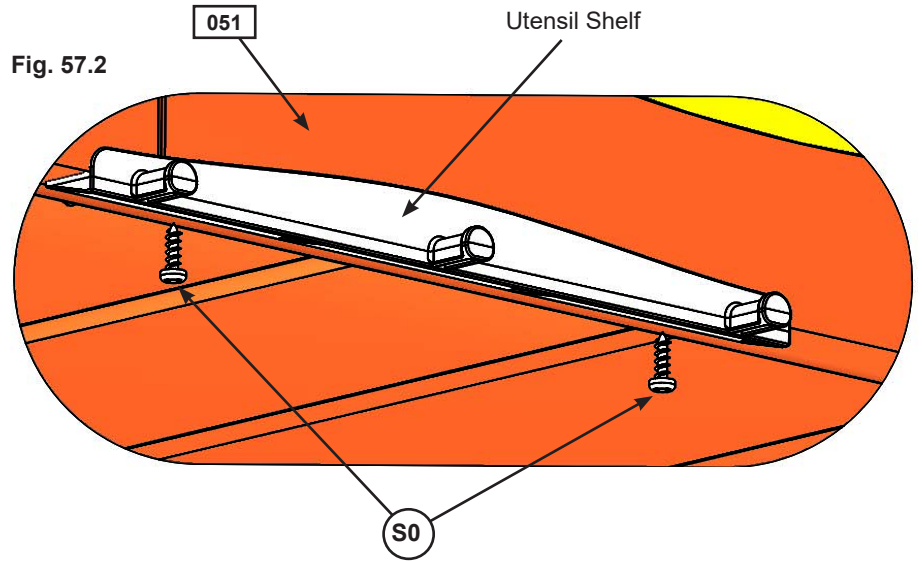
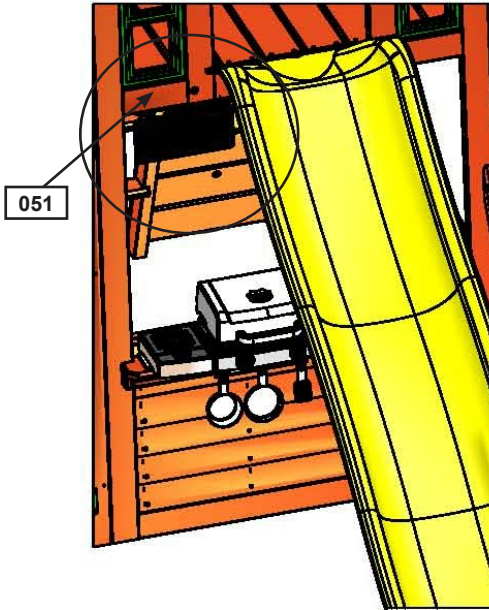
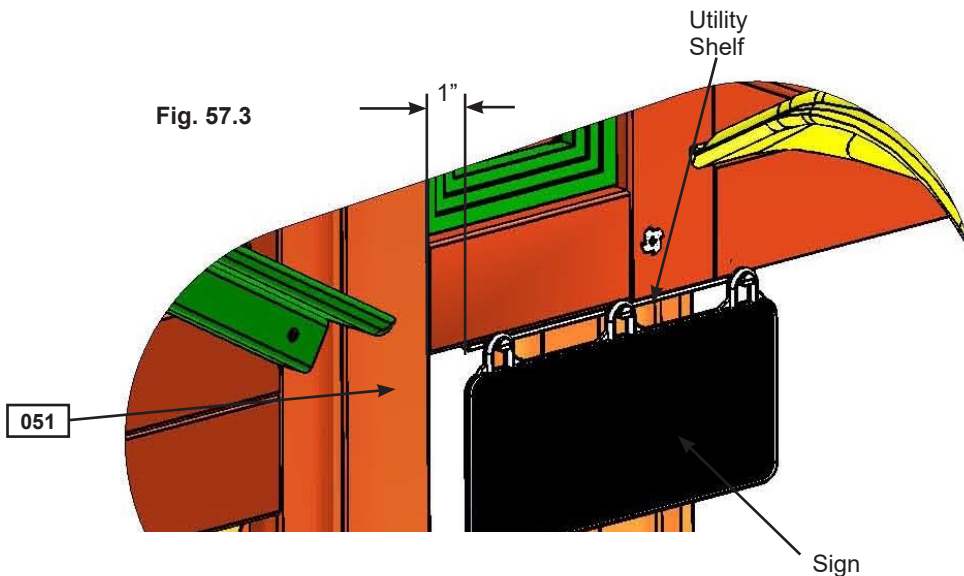


Fig. 57.3



Hardware

2 x (S0) #8 x 7/8" Truss Screw

Other Parts

1 x Utensil Shelf
1 x Sign
1 x Basket with Fruit

Step 57: Attach Utensil Shelves Part 2

C: From outside the assembly, centred below the BBQ Kitchen attach 1 Utensil Shelf to (130) Table Support with 2 (S0) #8 x 7/8" Truss Screws as shown in fig. 57.4 and 57.5.

D: Attach Pan, Tongs and Spatula to the Utensil Shelf. (fig. 57.4 and 57.6)

E: Place Basket next to BBQ Kitchen on (131) Table Top.

Fig. 57.4

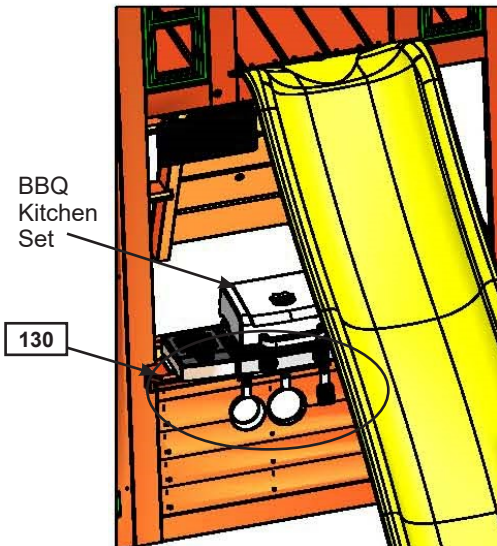


Fig. 57.5

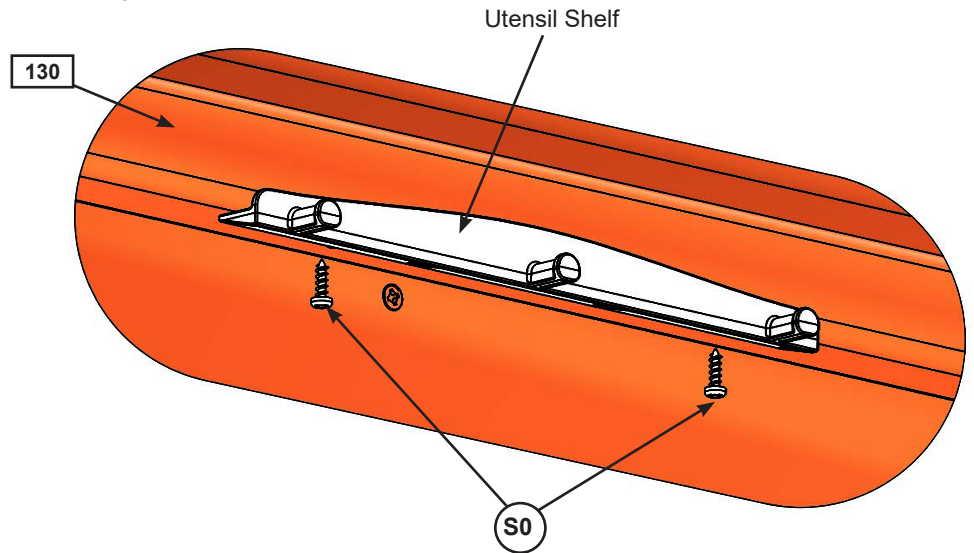
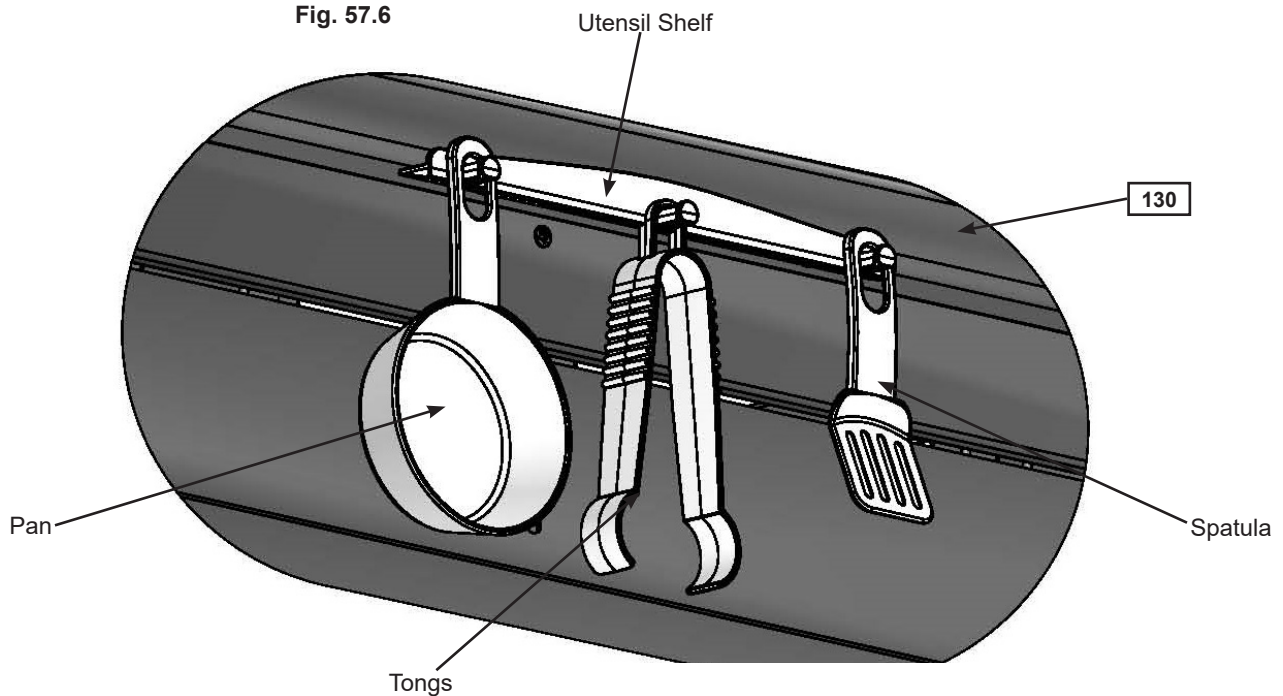


Fig. 57.6



Hardware

2 x (S0) #8 x 7/8" Truss Screw

Other Parts

1 x Utensil Shelf
1 x Pan
1 x Tongs
1 x Spatula

Step 58: Attach Flags

A: Insert 1 Flag into slots on 1 Flag Pole to complete 1 Deluxe Flying Flag as shown in fig. 58.1. Create 2 Deluxe Flying Flags.

B: Place 2 Deluxe Flying Flags on (200) Crowsnest Top then attach with 2 (S0) #8 x 7/8" Truss Screws per flag as shown in fig. 58.2.

Fig. 58.1

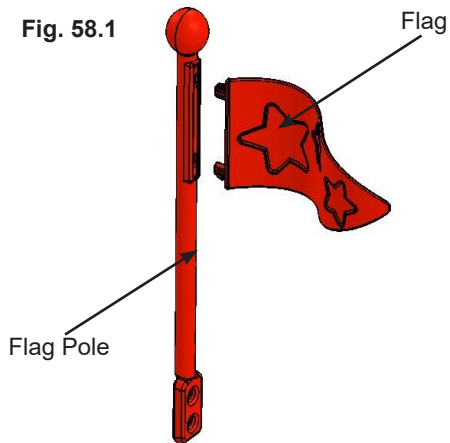
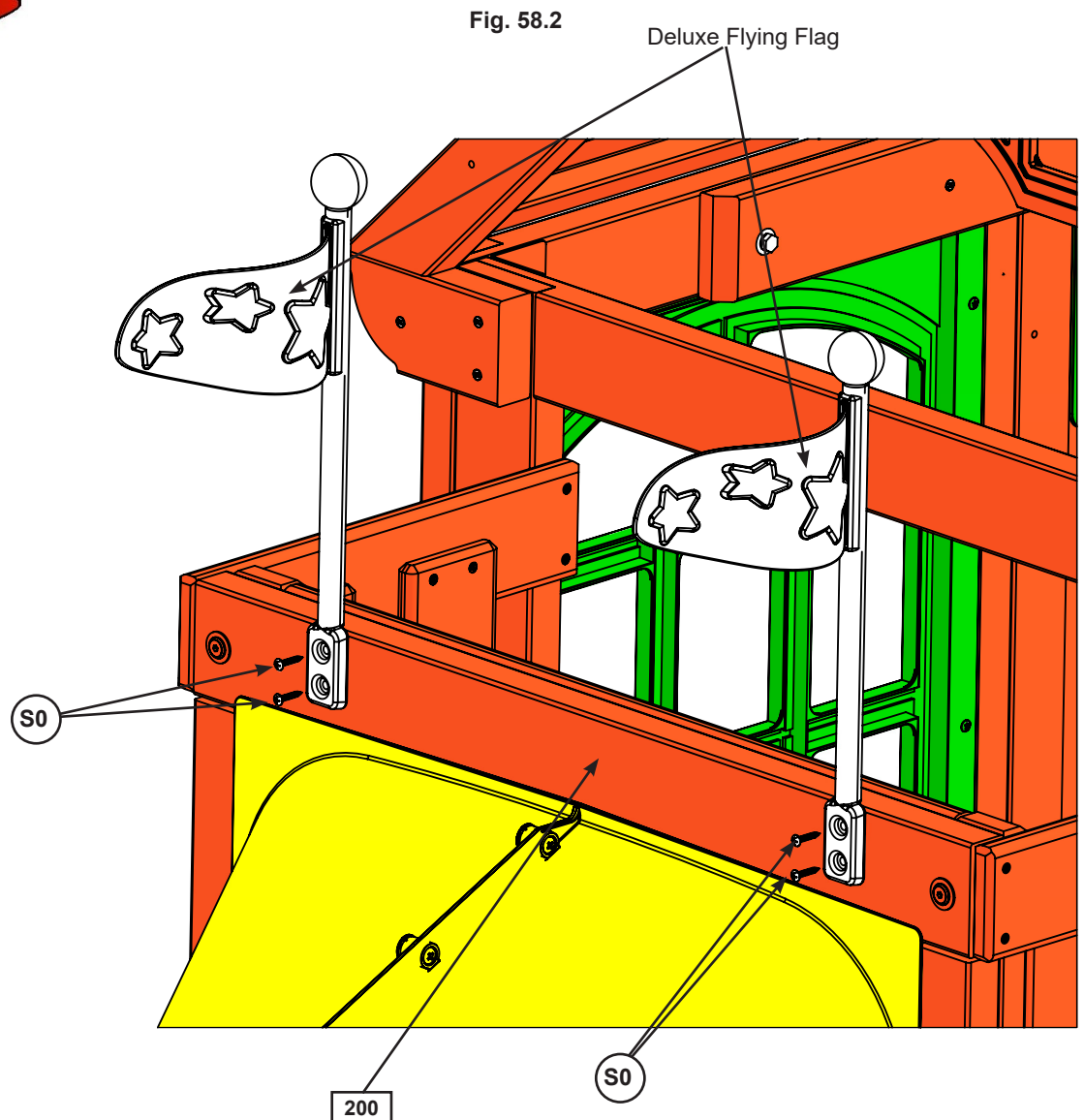


Fig. 58.2



Hardware

4 x (S0) #8 x 7/8" Truss Screw

Other Parts

2 x Deluxe Flying Flag

Step 59: Fill Extra Hole

A: From outside (050) SW Wall Panel in the empty hole insert 1 (PB2) 1/4 x 1-1/4" Pan Bolt (with lock washer, flat washer and t-nut) as shown in fig. 59.1, 59.2 and 59.3.

Fig. 59.1

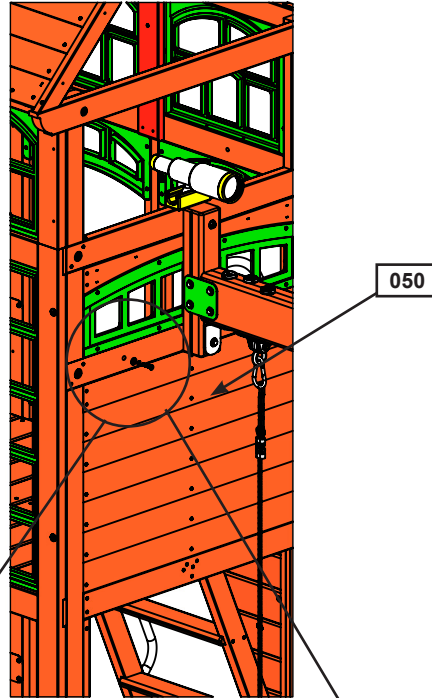


Fig. 59.2
Inside View

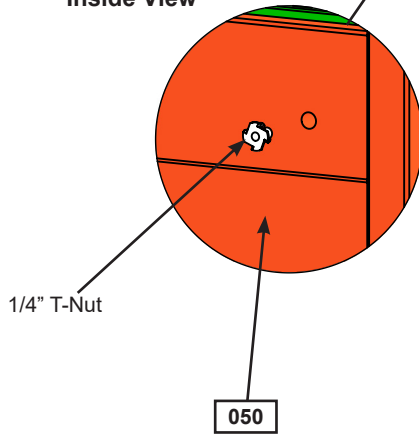
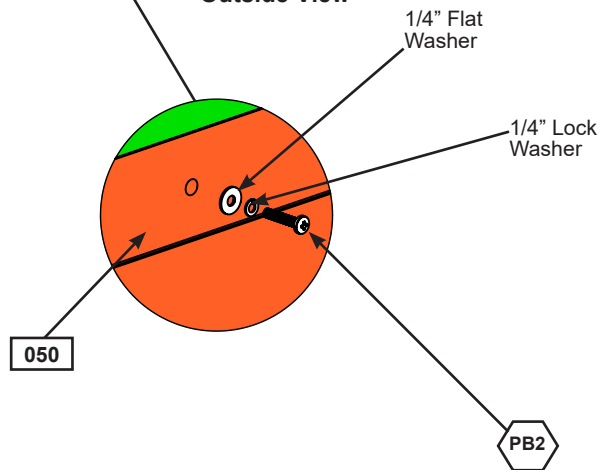


Fig. 59.3
Outside View



Hardware

1 x  1/4 x 1-1/4" Pan Bolt
(1/4" flat washer, 1/4" lock washer, t-nut)

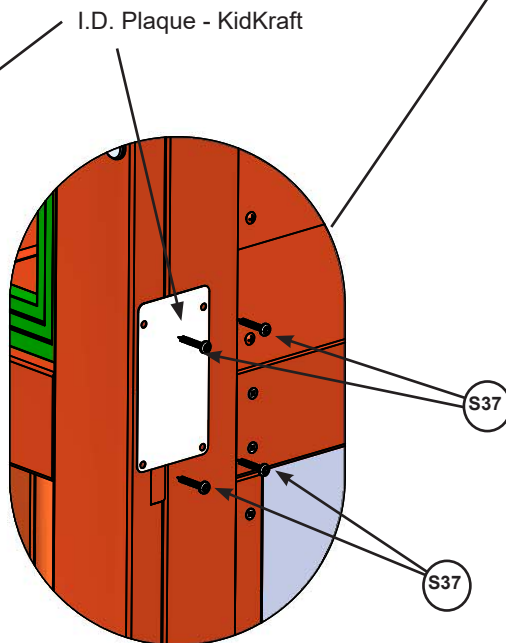
Final Step: Attach I.D. Plaque

ATTACH THIS WARNING & I.D. PLAQUE TO THIS LOCATION ON YOUR PLAY EQUIPMENT!

This provides warnings concerning safety and important contact information. A Tracking Number is provided to allow you to get critical information or order replacement parts for this specific model.



A: Attach I.D. Plaque - KidKraft to a location on your set that is easily seen and read by a supervising adult using 4 (S37) #7 x 5/8" Pan Screws as shown below.



Hardware

4 x **S37** #7 x 5/8" Pan Screw

Other Parts

1 x I.D. Plaque - KidKraft

3 EASY WAYS TO REGISTER YOUR PRODUCT 24/7

- 1) Scan this QR Code with your smart phone to complete your product registration directly from your phone:
- 2) Complete the registration online at: https://www.kidkraft.com/us_en/warranty/
- 3) Mail this completed form to: KidKraft Inc., 4630 Olin Road, Dallas, Tx 75244 USA
Make sure to include a copy of your proof of purchase



KIDKRAFT Consumer Registration Card

First Name Initial Last Name

Street Apt. No.

City State/Province ZIP/Postal Code

Country Telephone Number

E-Mail Address

Model Number Model Name

Model Number & Name example
F24145 AINSLEY PLAY SYSTEM

Purchased From Date Purchase

MM / DD / YY

Serial Number (on ID Plaque)



ID Plaque example

Box #: _____ 1 of _____

Box #: _____ 4 of _____

Box # (Ex: B29410 1 of 6)

Box #: _____ 2 of _____

Box #: _____ 5 of _____

1 OF **6**
DE

ITEM #
ARTICLE N°
N° DE ARTICULO
B29410

Box #: _____ 3 of _____

Box #: _____ 6 of _____

For common questions or for information on ordering replacement parts:



Help Center: <https://kidkraft.zendesk.com/hc/en-us/>