

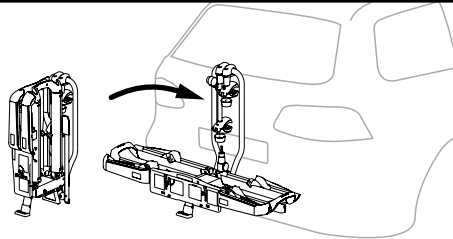
Instructions

XLC[®]

x-cellent bike components

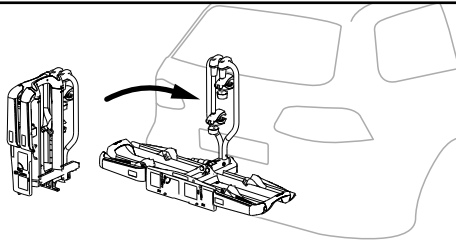


A



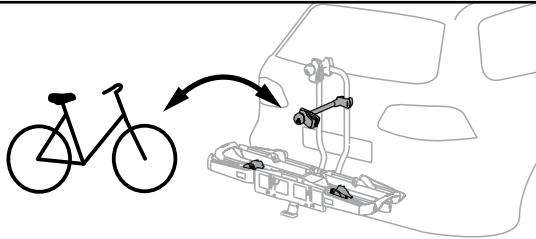
Xtra

B



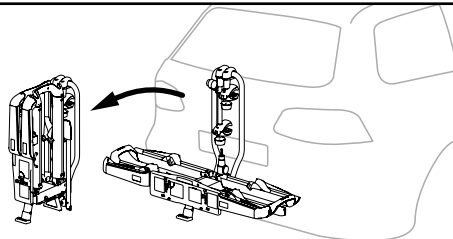
Easy

C



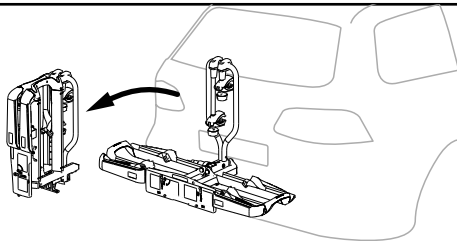
**Easy
&
Xtra**

D



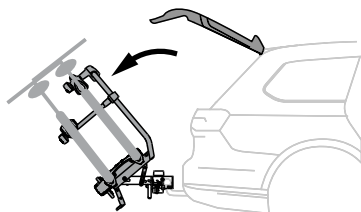
Xtra

E



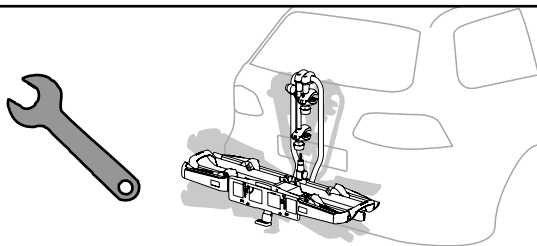
Easy

F



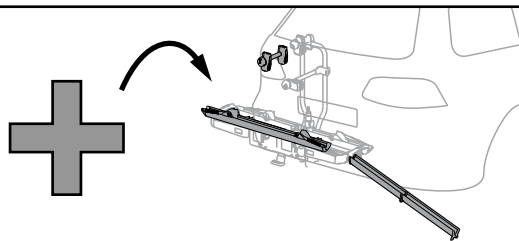
Xtra

G



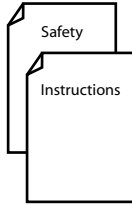
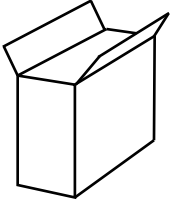
**Easy
&
Xtra**

H



**Easy
&
Xtra**

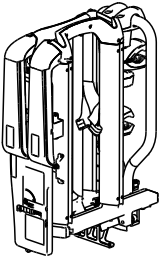
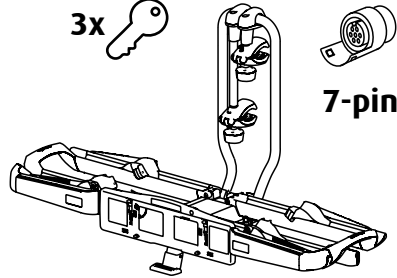
i



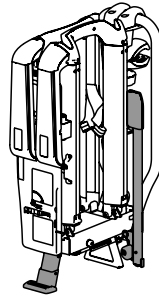
3x



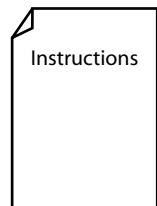
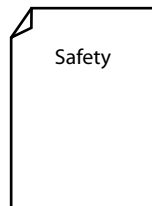
7-pin

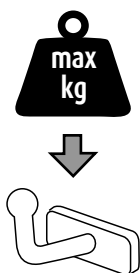


Easy

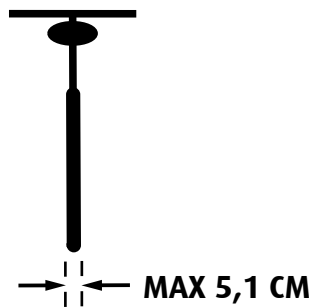
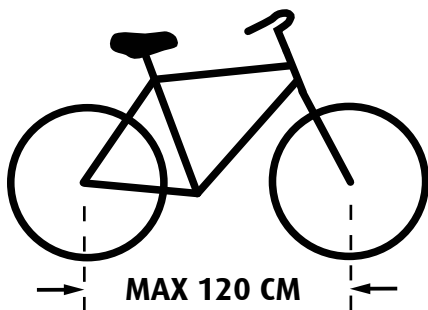


Xtra

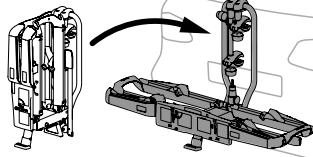




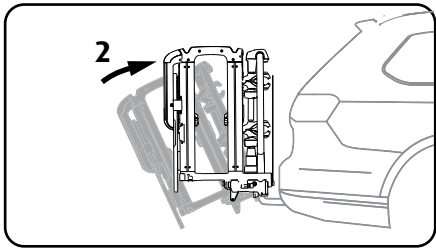
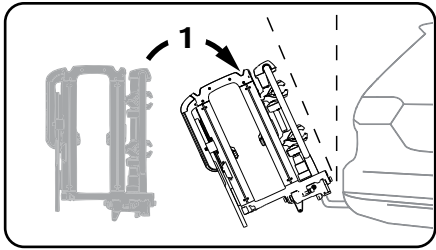
	Xtra (15,5 kg)	Easy (12,5 kg)
50 kg	34,5 kg	37,5 kg
60 kg	44,5 kg	47,5 kg
70 kg	54,5 kg	57,5 kg
75 kg	59,5 kg	62,5 kg
80+ kg	60 kg	60 kg



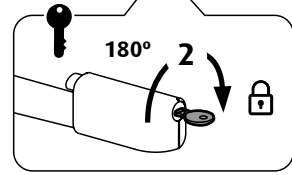
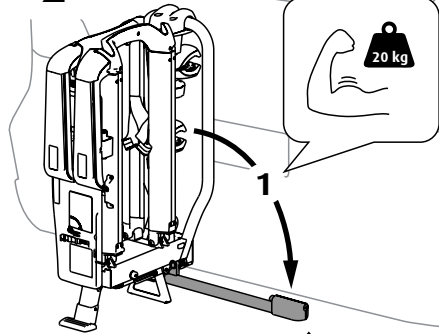
A



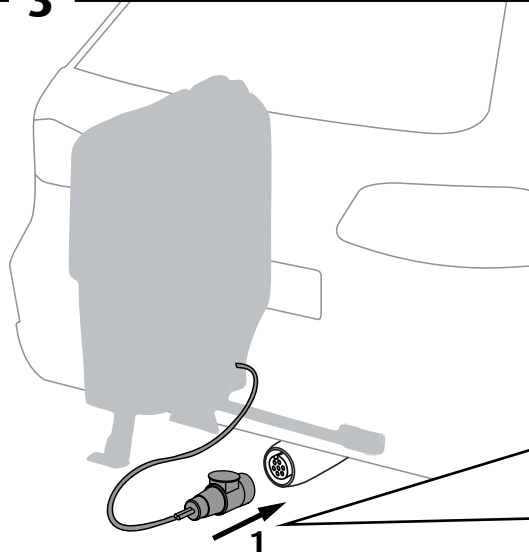
1



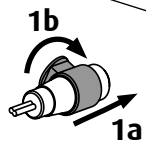
2



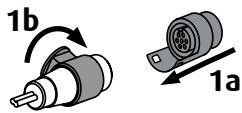
3



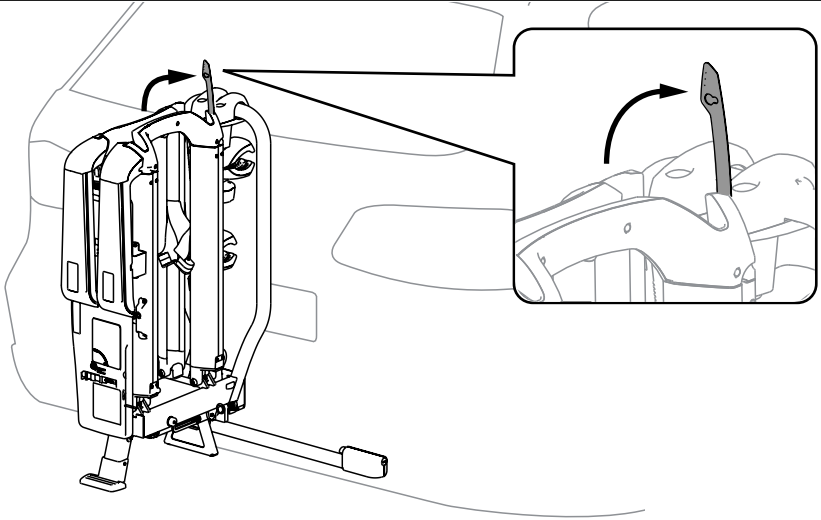
13 - Pin



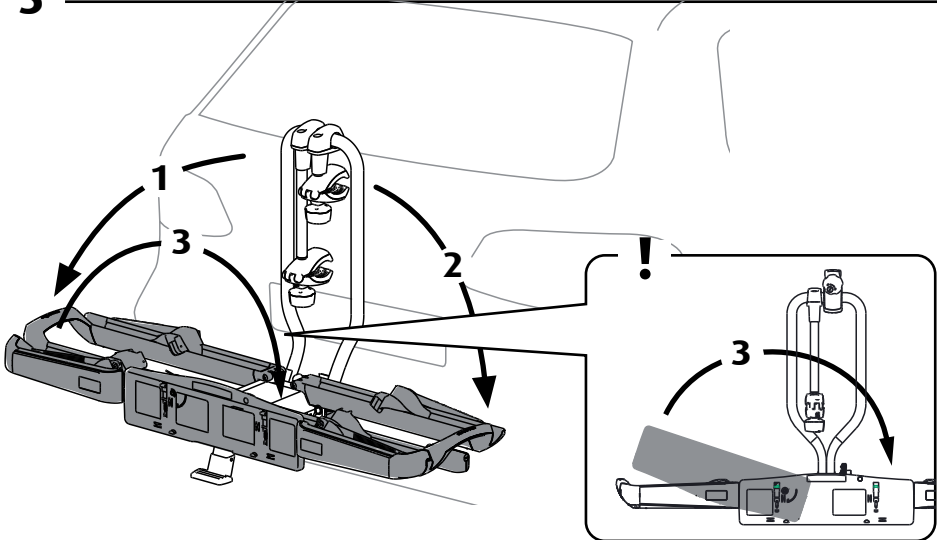
7 - Pin



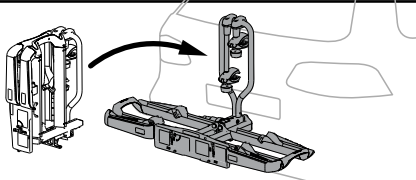
4



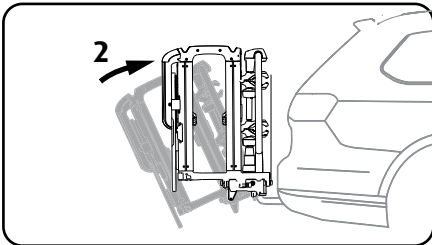
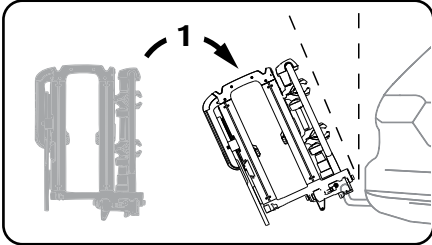
5



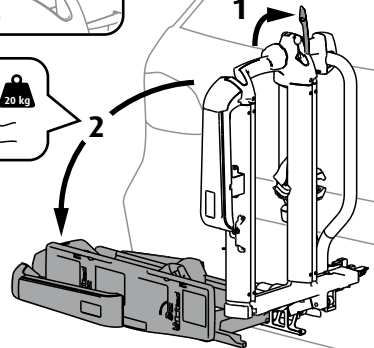
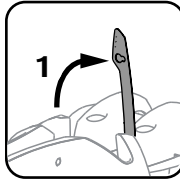
B



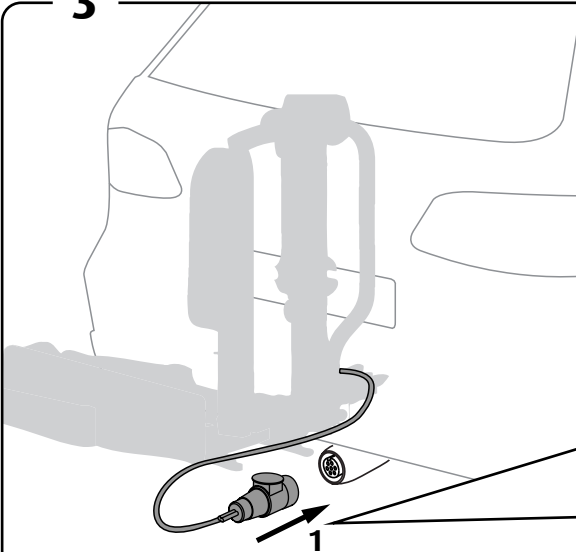
1



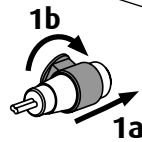
2



3

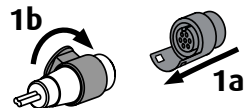


13 - Pin



1b

7 - Pin

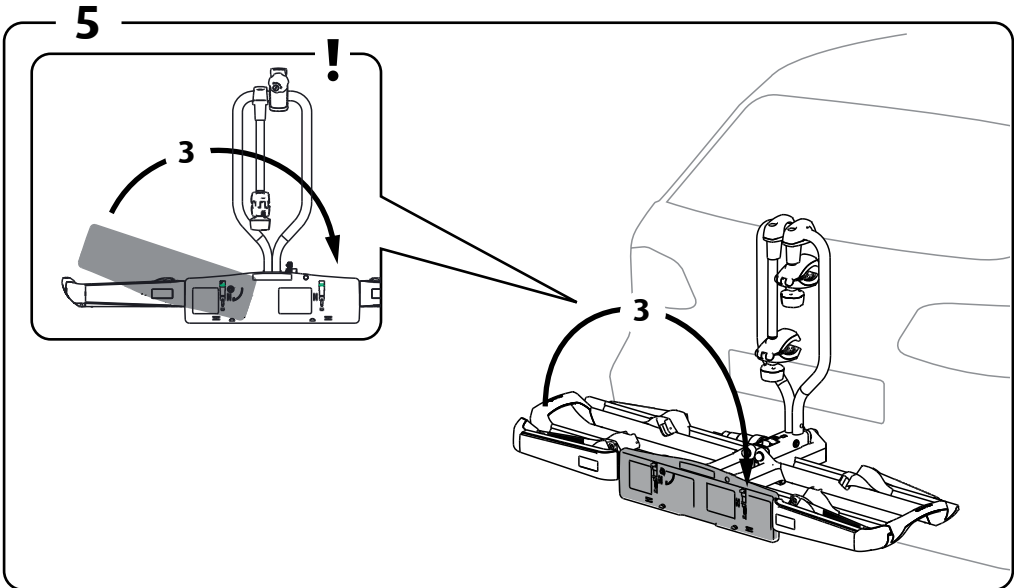
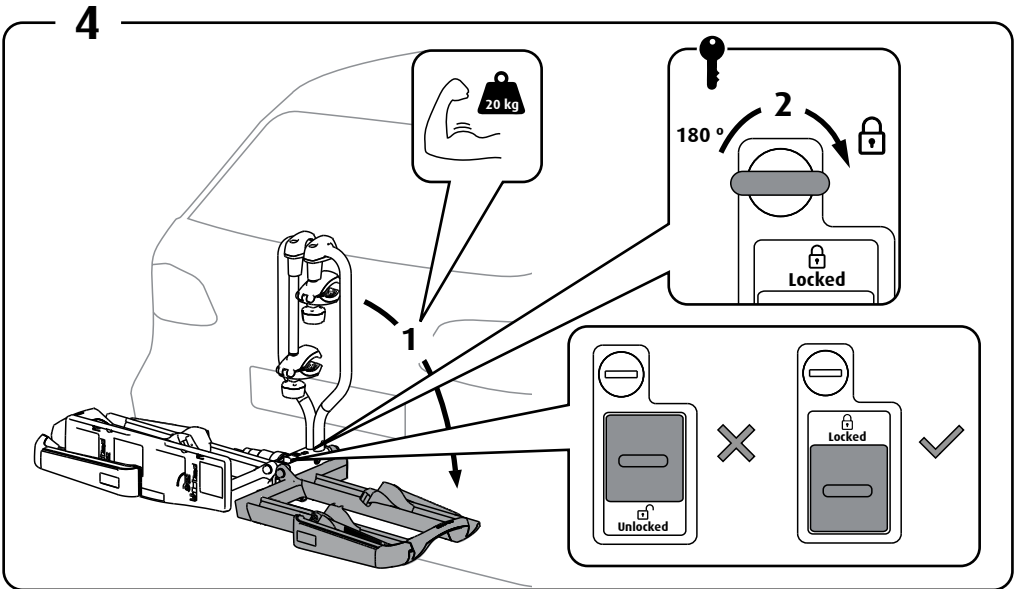


1b

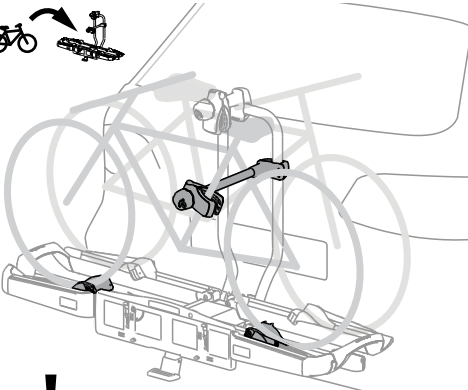
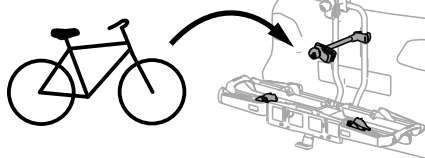


1c

Easy



C

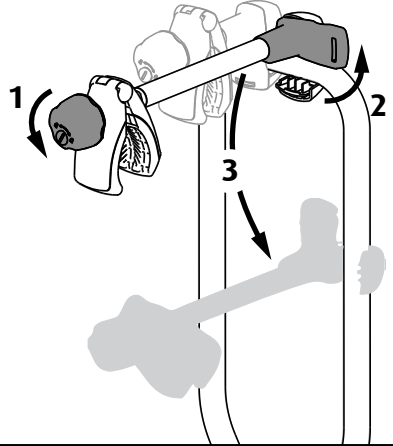


!

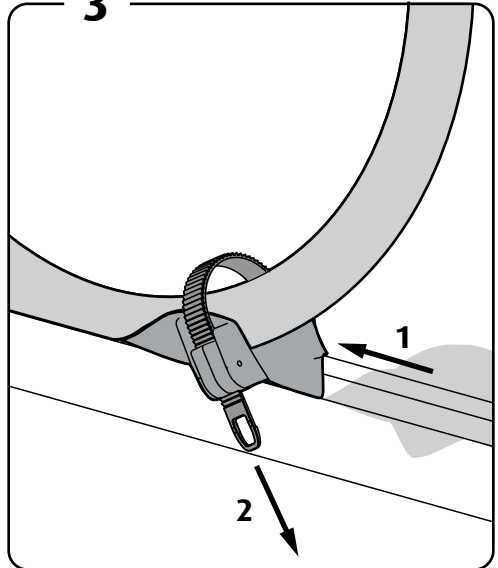
1x 



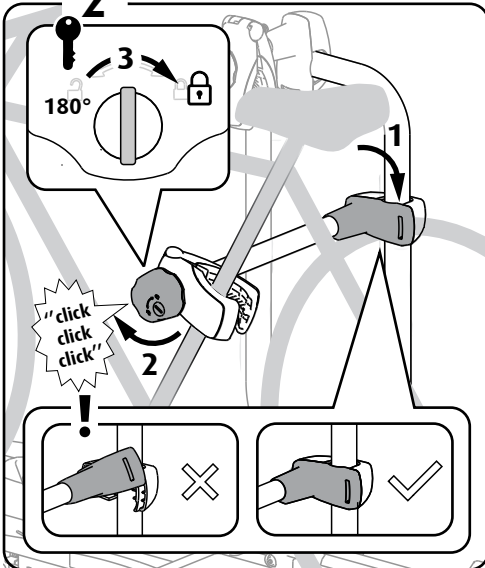
1

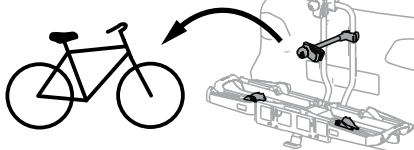


3

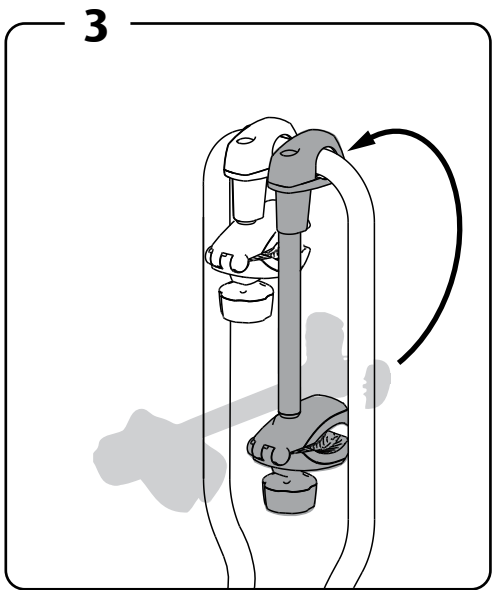
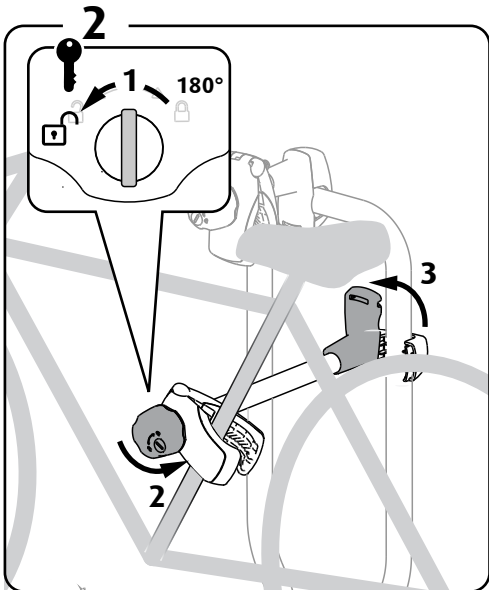
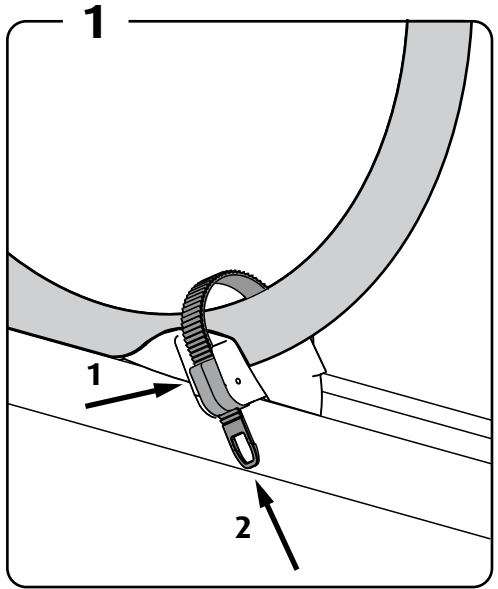
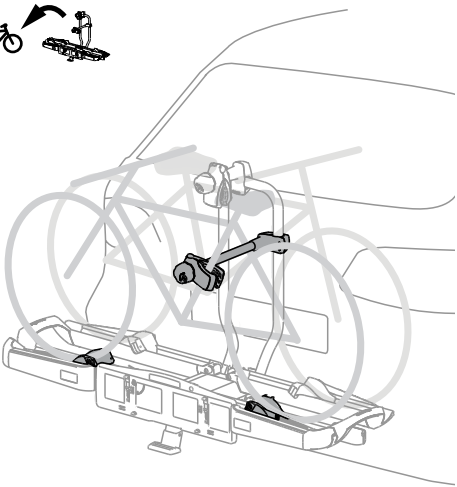


2

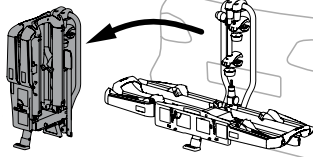




**Easy
&
Xtra**

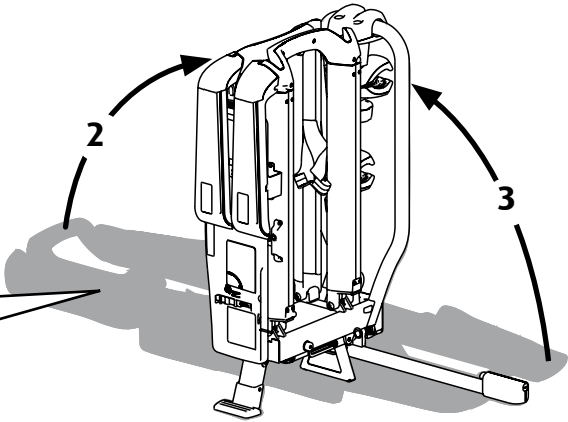
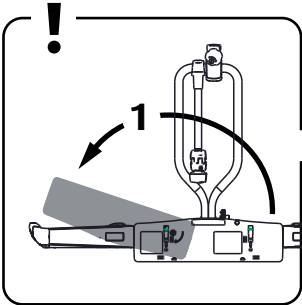


D

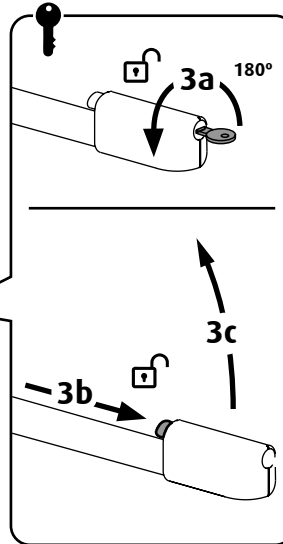
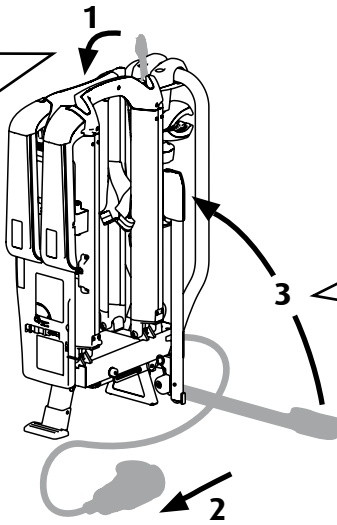
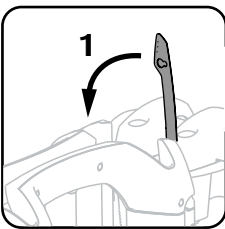


Xtra

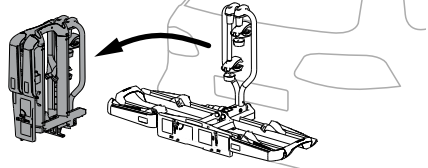
1



2

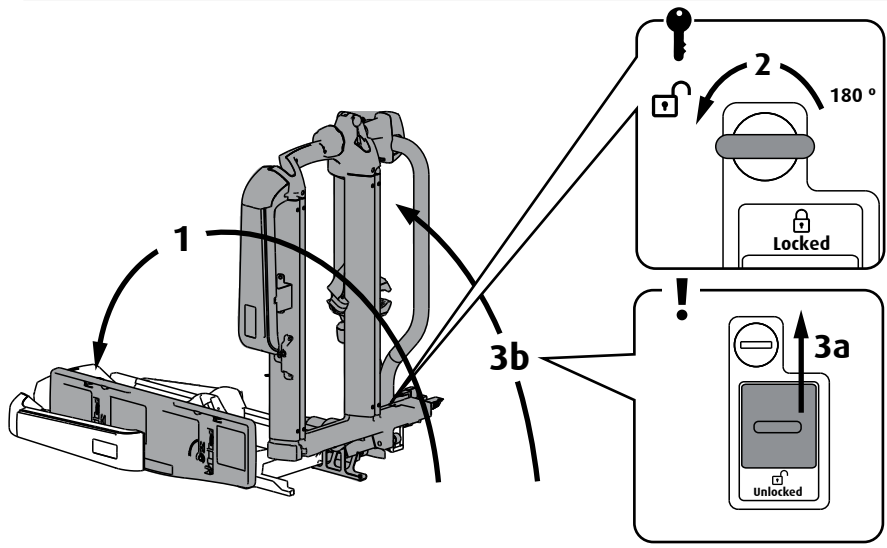


E

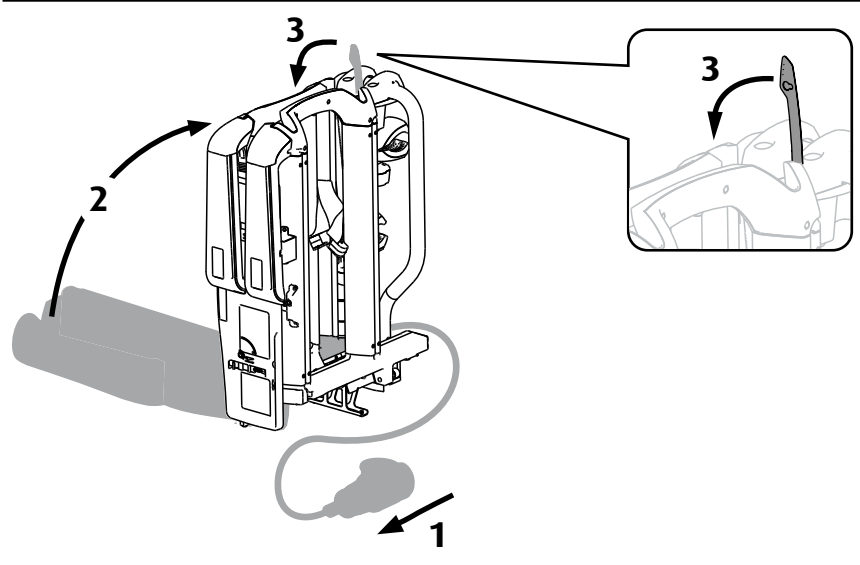


Easy

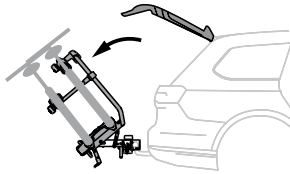
1



2

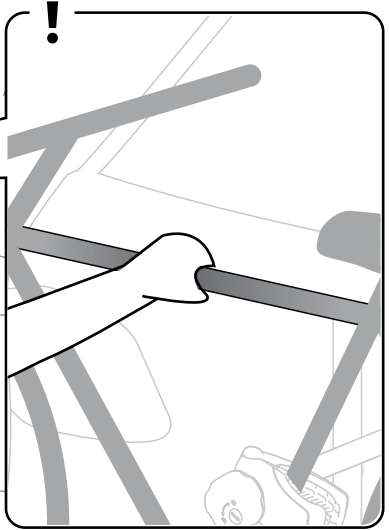
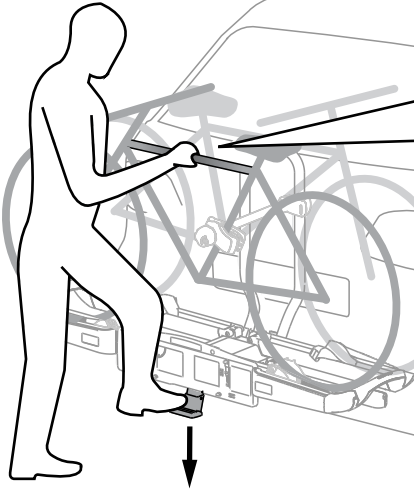


F

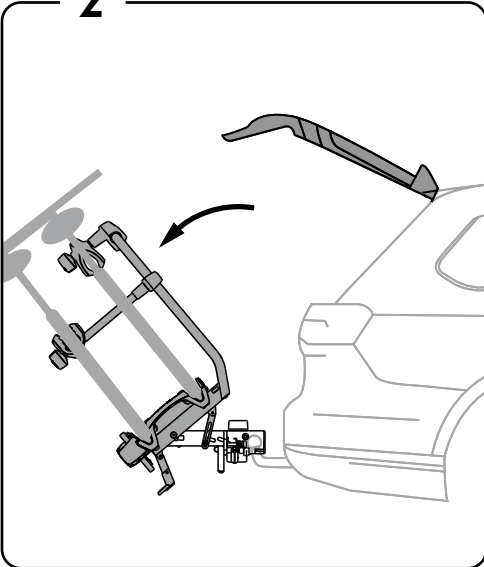


Xtra

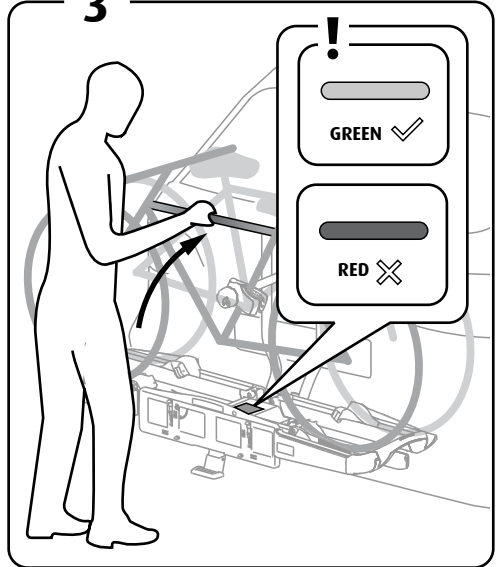
1



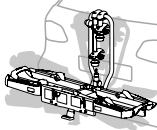
2



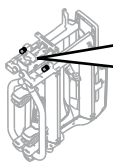
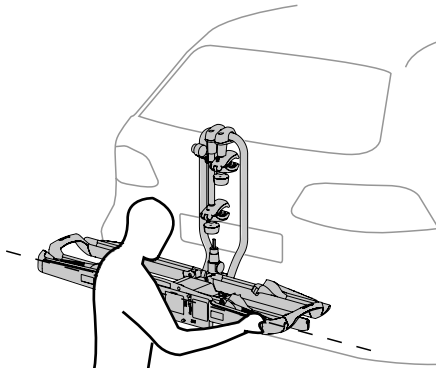
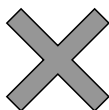
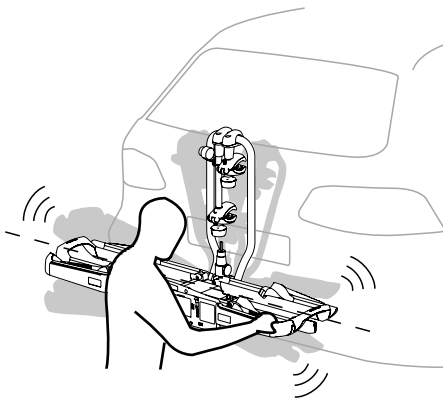
3



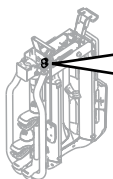
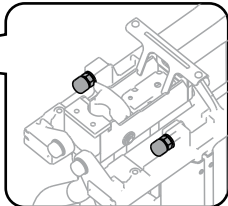
G



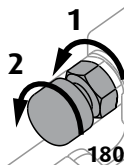
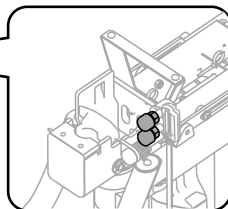
**Easy
&
Xtra**



Easy



Xtra

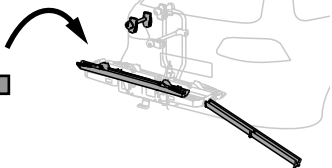


180°



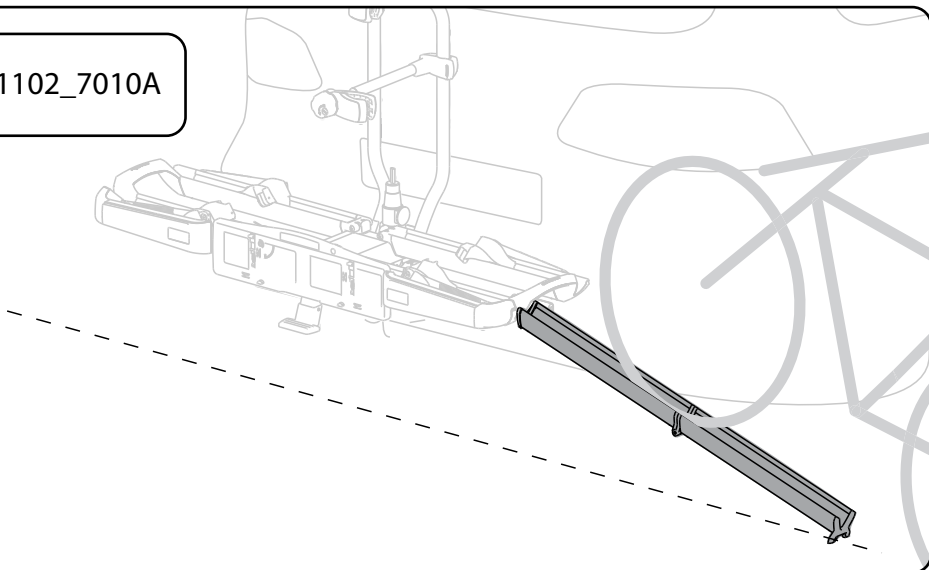
H

+



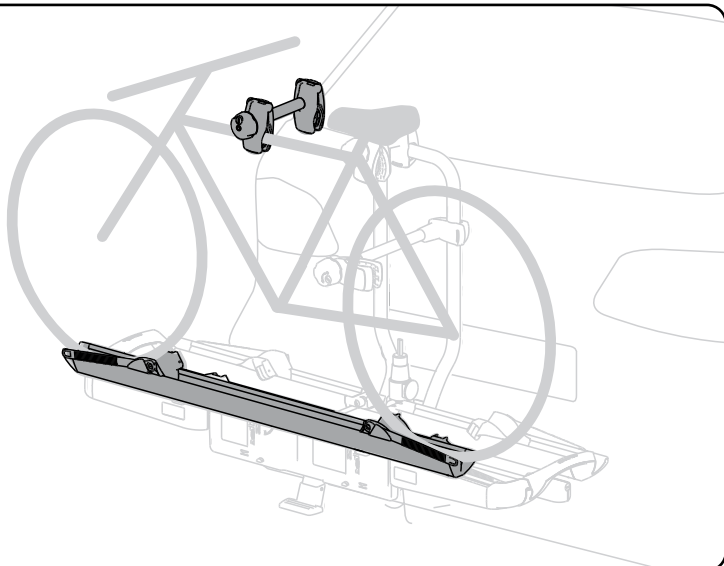
Easy
&
Xtra

Q1102_7010A



Q1601_1000A

3x 





Azura
Xtra & Easy



Accell Bike Parts GmbH.

Max-Planck-Str. 6-8
97526 Sennfeld, Germany
info@xlc-parts.com
www.xlc-parts.com

nr: Q1701-9002A