



SaniSupreme
Betaalbaar Design

Installatie instructie

INBOUWDOUCHE

3-WEG



Hoe installeer ik 3-weg wandgemonteerde douchekraan mengkraan.

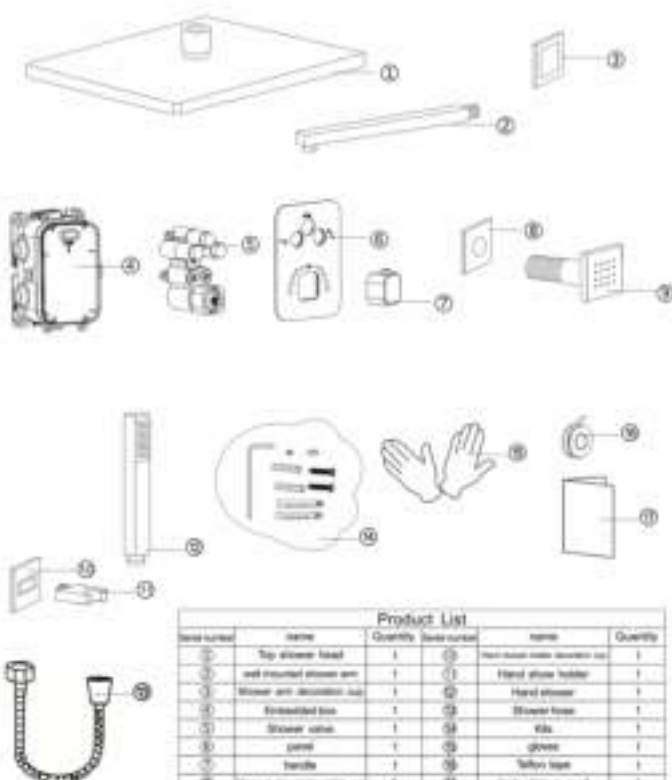
Eenvoudige stap voor stap installatie-instructies voor 3-weg wandgemonteerde douchekraan mengkraan

Lees voordat u begint de onderstaande installatie-instructies. Neem alle plaatselijke bouw- en veiligheidsvoorschriften in acht.

Pak het product uit en inspecteer het op eventuele transportschade. Als u schade aantreft, installeer dan niet.

Houd er rekening mee dat alle producten moeten worden geïnstalleerd door een professionele en gecertificeerde loodgieter, anders kan de garantie komen te vervallen.

Wall mounted shower items

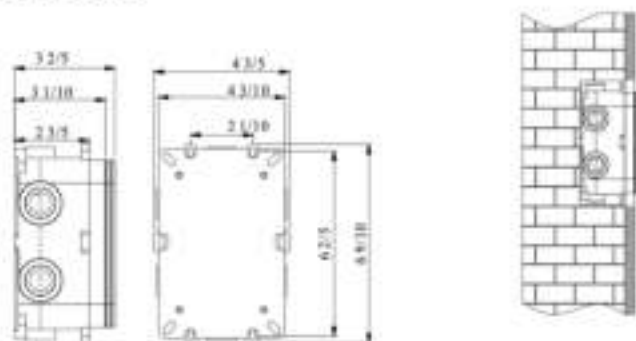


The diagram shows an exploded view of a wall-mounted shower system. The components are numbered 1 through 21. Item 1 is the shower tray. Item 2 is a horizontal bar. Item 3 is a wall plate. Item 4 is the shower body. Item 5 is the shower handle assembly. Item 6 is a shower head. Item 7 is a shower knob. Item 8 is a shower nozzle. Item 9 is a shower nozzle. Item 10 is a shower nozzle. Item 11 is a shower nozzle. Item 12 is a shower nozzle. Item 13 is a shower nozzle. Item 14 is a shower nozzle. Item 15 is a shower nozzle. Item 16 is a shower nozzle. Item 17 is a shower nozzle. Item 18 is a shower nozzle. Item 19 is a shower nozzle. Item 20 is a shower nozzle. Item 21 is a shower nozzle.

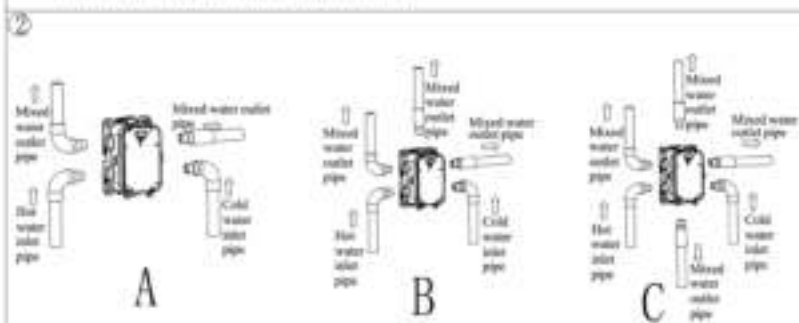
Product List

Serial number	Name	Quantity	Serial number	Name	Quantity
01	Top shower head	1	10	Hand shower nozzle (quantity set)	1
02	wall mounted shower arm	1	11	Hand shower holder	1
03	Shower arm (quantity set)	1	12	Hand shower	1
04	Embedded box	1	13	Shower knob	1
05	Shower valve	1	14	Kits	1
06	panel	1	15	glass	1
07	handle	1	16	Teflon tape	1
08	Shower mixer (quantity set)	6	17	Installation manual	1
09	Massage shower	8			


① **Basic Size**

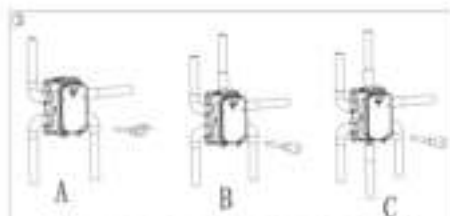


According to the basic size of the embedded box, use a special tool to open the main hole on the solid wall. As shown in the figures, it should be considered that the depth of the wall after the final treatment and the bottom of the opening is $3\frac{1}{10}$ - $3\frac{3}{5}$ inch between, the width is between $4\frac{7}{10}$ - $4\frac{9}{10}$ inch, and the height is between $6\frac{9}{10}$ - $7\frac{1}{10}$ inch.

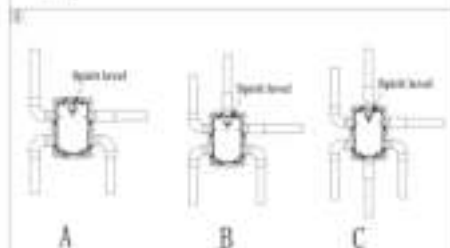


As shown in the figure, the inlet and outlet pipes are embedded. Pay attention to the correct direction of installing the embedded box. Be sure to mark the top ^{TOP} of the baffle upward, and the vertical direction of the embedded box. The lower left interface is connected to the hot water pipe. The interface is connected to the cold water pipe, the upper left interface is connected to the top spray pipe, and the upper right interface is connected to the handheld pipe.

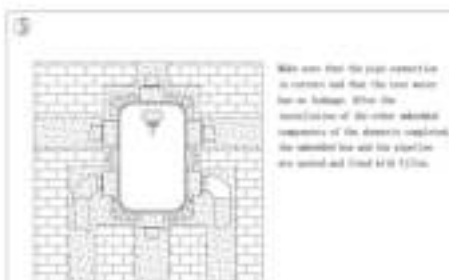
 **Note:** Please strictly follow the cold and hot water pipes shown in the diagram to connect the main body cold water and hot water to the correct position to avoid reverse installation.



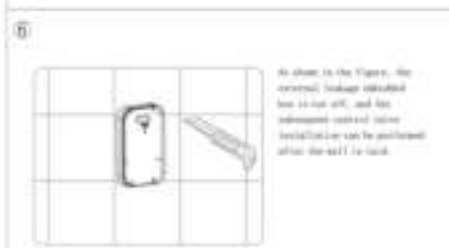
Open the door, check to see whether the left and right drain pipes are correctly installed and fixed together. After the toilet pipe is seated, adjust the rim which is far or is low whether the toilet water can be easily removed without leakage. At the same time, the lower structure (sealant is essential according to the product use. It's to be used with self-healing cement is not used) is fixed in the wall.



As shown in the figure, the product is embedded into the hole in the wall to ensure the correct position of the embedded seat. It is best to use the sealant in the center of the toilet seat. If it is not installed properly, it will affect the correct installation of them.



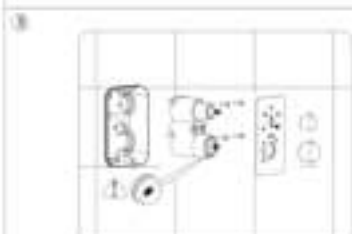
Make sure that the pipe extends to its correct seat and that the seat water can be drained. After the installation of the entire embedded components of the product, the embedded base will be painted and fixed as in the figure.



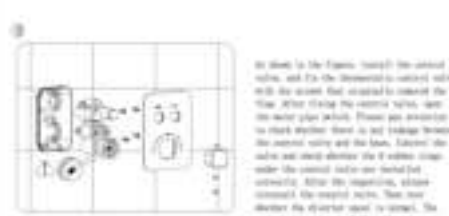
As shown in the figure, the correct leakage calculated for the wall, and the subsequent correct sealing installation can be performed after the wall is laid.



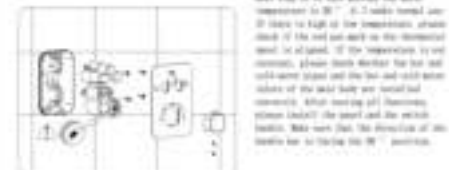
Take out the toilet seat, install the water pipe and seat water pipe as shown in the figure.



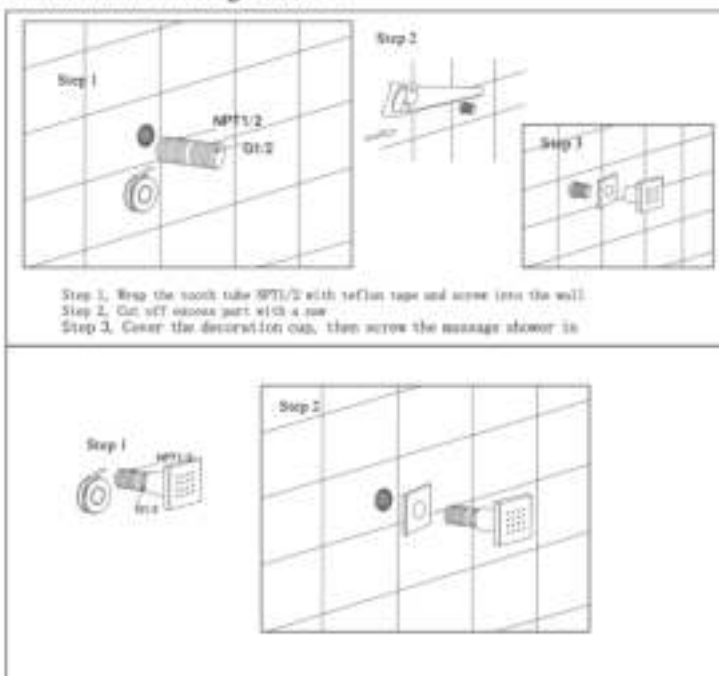
As shown in the figure, install the correct water pipe and then install the toilet handle. For attention to the red pipe, the red pipe should be installed in the position to fix the correct handle connection in the water pipe of the water pipe. The direction of the handle pipe is 90° position.



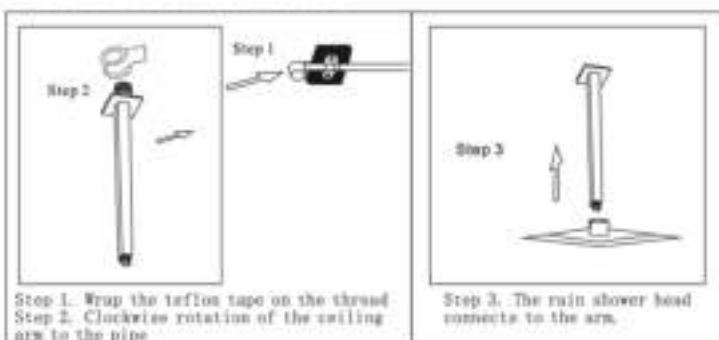
As shown in the figure, install the correct water pipe and fix the connection to correct water with the correct that installed to connect the floor. After fixing the water pipe, use the water pipe which. Please pay attention to check whether there is no leakage between the water pipe and the floor. After the water pipe is installed, the water pipe should be installed under the correct water pipe. After the installation, please check the correct water pipe. Then use whether the water pipe is correct. The water pipe is to be used within the water temperature in 30° - 40.5 water temperature. It is best to use in the temperature which is 30° - 40.5 water temperature. If the temperature is not correct, please check whether the hot and cold water pipes and the hot and cold water pipes of the water pipe are installed correctly. After fixing all the water pipes, please check the water pipe and the water handle. Make sure that the direction of the water pipe is to be 90° position.

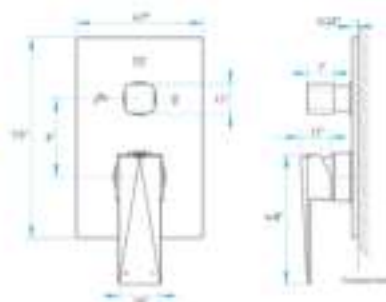
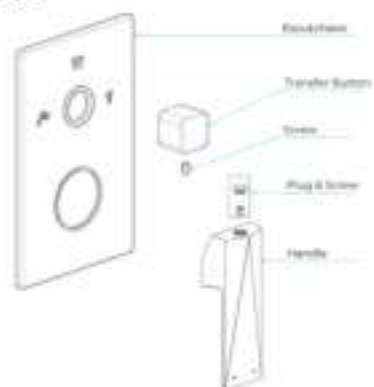
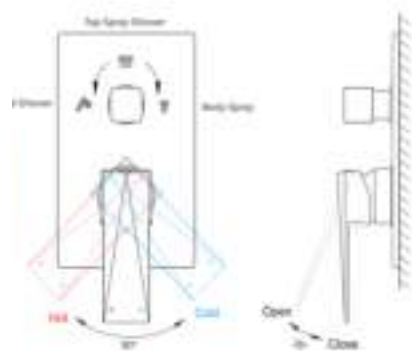
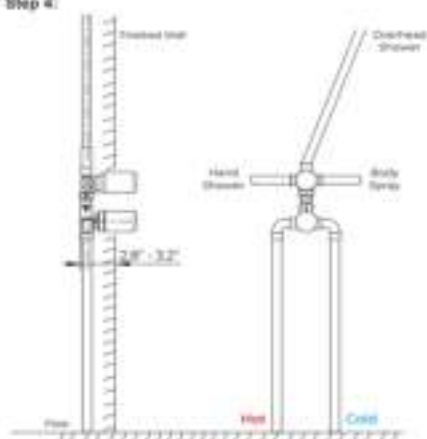


◆ Install the massage shower

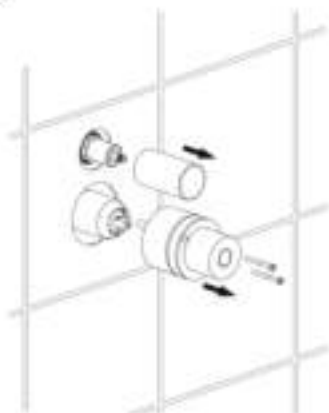


◆ Install the rain shower head

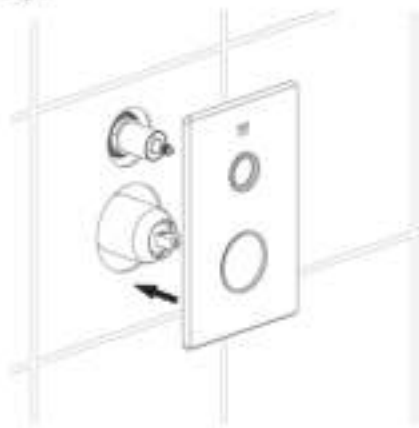


Step 1:

Step 2:

Step 3:

Step 4:


Step 5:



Step 6:



Step 7:



Step 8:



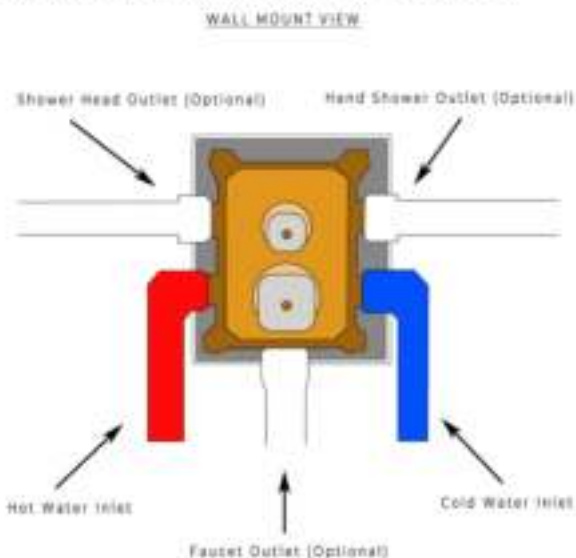
1) Bevestig de douchekraan met schroeven in de muur. Gebruik een waterpas om ervoor te zorgen dat de klep recht en waterpas staat. (Belangrijk: Spoel de watertoevoerleidingen om vuil en vuil te verwijderen voordat u het klephuis installeert)

2) Wikkel Teflon-tape om de schroefdraad van de pijp. Sluit de warm- en koudwatertoevoerleidingen en alle wandinbouwleidingen (niet meegeleverd) naar wens aan op de klep. Draai de watertoevoer open en open de patroon om te controleren op lekken. Plaats vervolgens de beschermhoes.

3) Verwijder de beschermkap wanneer de muur afgewerkte muur is voltooid. Monteer het rozet op de douchekraan en druk deze tegen de afgewerkte muur. Installeer vervolgens de hendel en de omstelknop op de klep en draai de stelschroeven vast met de inbussleutel en plaats de indicatielknop.

Functie: Aansluitingen op lekkage controleren en functie fitting controleren. De stroom wordt automatisch omgeleid van douche-uitlaat naar bad-inlaat wanneer de kraan gesloten is.

Shower Mixer Wall Mount View Connection



Shower Mixer Connection Overview

SHOWER MIXER CONNECTION

