



VONROC®

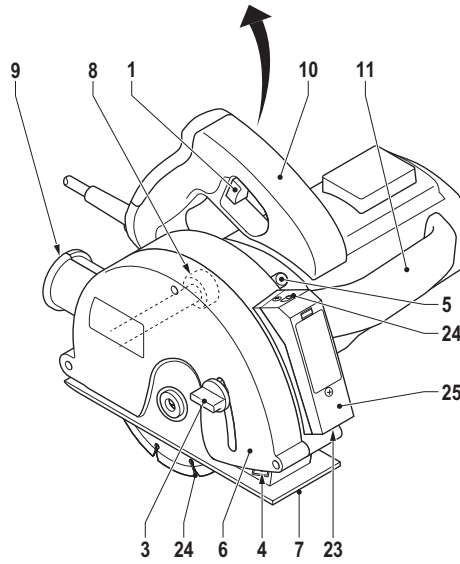
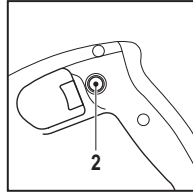
BUILD YOUR FUTURE

WALL CHASER WC502AC

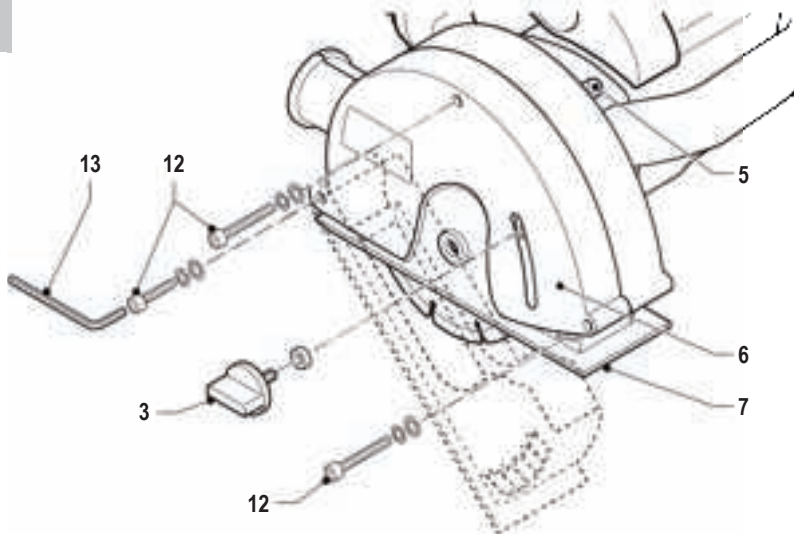


EN	Original Instructions	06
DE	Übersetzung Der Originalbetriebsanleitung	12
NL	Vertaling van de oorspronkelijke gebruiksaanwijzing	19
FR	Traduction de la notice originale	26
ES	Traducción del manual original	33
IT	Traduzione delle istruzioni originali	40
PL	Tłumaczenie instrukcji oryginalnej	47
TR	Orijinal talimatların çevirisi	54

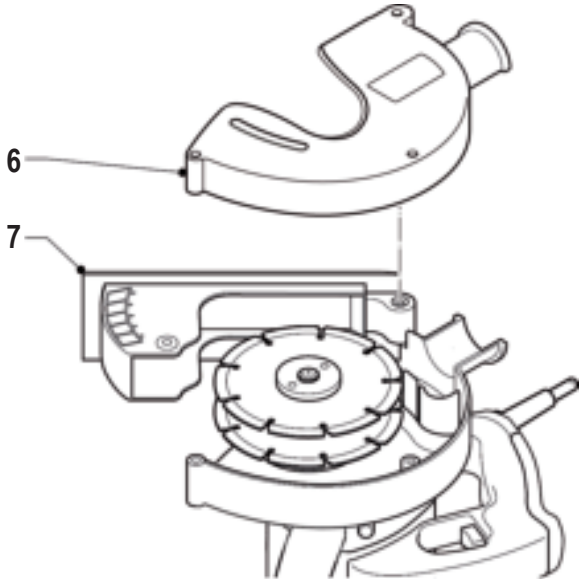
A



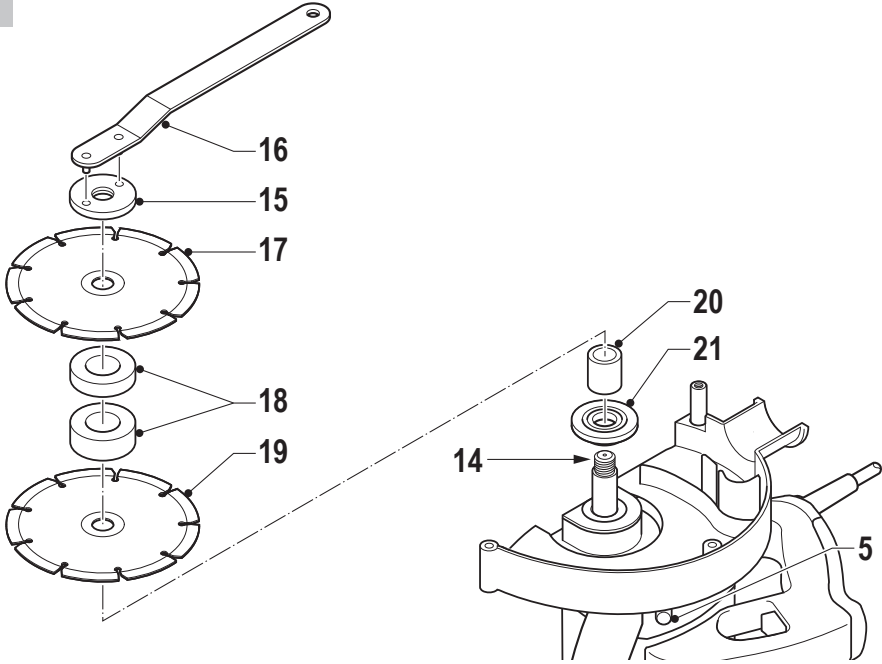
B

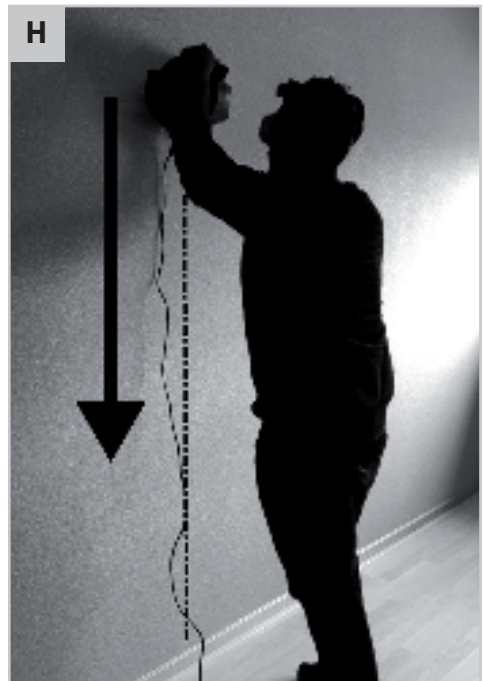
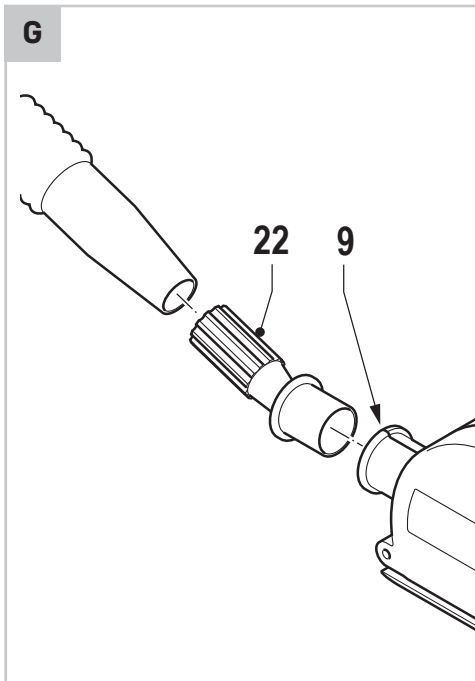
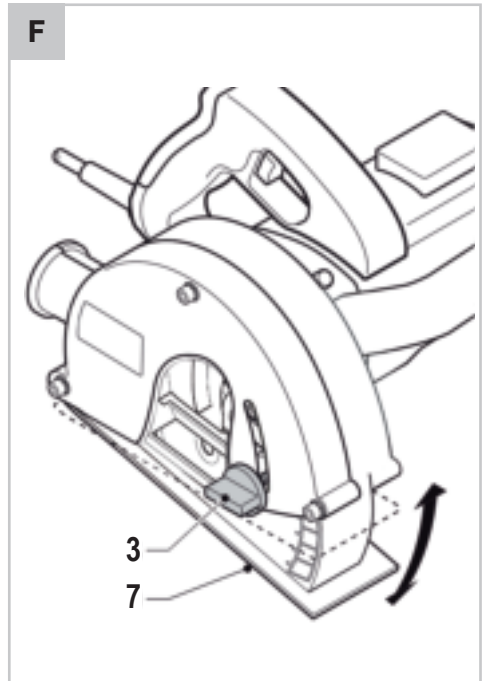
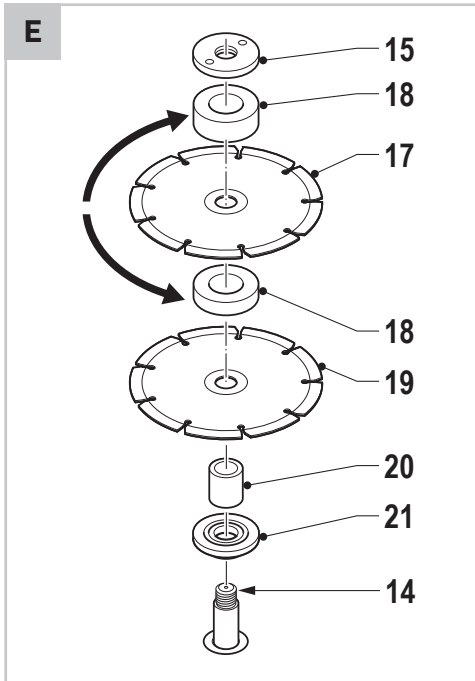


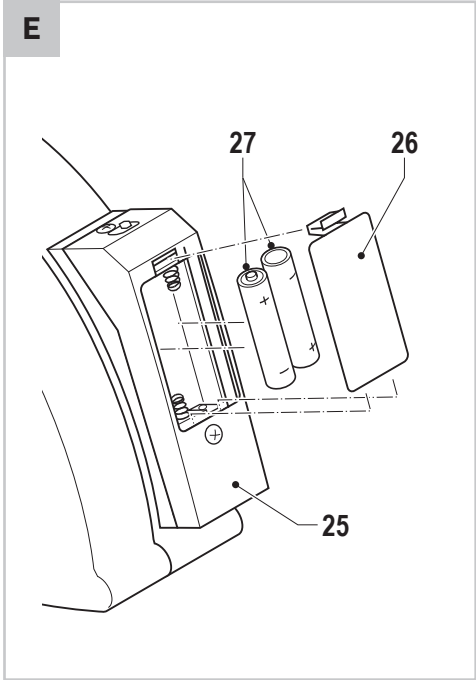
C



D







1. SAFETY INSTRUCTIONS

Read the enclosed safety warnings, the additional safety warnings and the instructions. Failure to follow the safety warnings and the instructions may result in electric shock, fire and/or serious injury. Save the safety warnings and the instructions for future reference.

The following symbols are used in the user manual or on the product:



Read the user manual.



Risk of personal injury.



Risk of electric shock.



Immediately remove the mains plug from the mains if the mains cable becomes damaged and during cleaning and maintenance.



*Wear safety goggles.
Wear hearing protection.*



Wear a dust mask.



Risk of flying objects. Keep bystanders away from the work area.



*Class II machine - Double insulation -
You don't need any earthed plug.*



Warning of laser radiation.



Do not dispose of the product in unsuitable containers.



The product is in accordance with the applicable safety standards in the European directives.

GENERAL POWER TOOL SAFETY WARNINGS



WARNING! Read all safety warnings and all instructions. Failure to follow the warnings and instructions may result in electric shock, fire and/or serious injury.

Save all warnings and instructions for future reference. The term "power tool" in the warnings

refers to your mains-operated (corded) power tool or battery-operated (cordless) power tool.

1) Work area safety

- Keep the work area clean and well lit.** Cluttered or dark areas invite accidents.
- Do not operate power tools in explosive atmospheres, such as in the presence of flammable liquids, gases or dust.** Power tools create sparks which may ignite the dust or fumes.
- Keep children and bystanders away while operating a power tool.** Distractions can cause you to lose control.

2) Electrical safety

- Power tool plugs must match the outlet. Never modify the plug in any way. Do not use any adapter plugs with earthed (grounded) power tools.** Unmodified plugs and matching outlets will reduce risk of electric shock.
- Avoid body contact with earthed or grounded surfaces, such as pipes, radiators, ranges and refrigerators.** There is an increased risk of electric shock if your body is earthed or grounded.
- Do not expose power tools to rain or wet conditions.** Water entering a power tool will increase the risk of electric shock.
- Do not abuse the cord. Never use the cord for carrying, pulling or unplugging the power tool. Keep cord away from heat, oil, sharp edges or moving parts.** Damaged or entangled cords increase the risk of electric shock.
- When operating a power tool outdoors, use an extension cord suitable for outdoor use.** Use of a cord suitable for outdoor use reduces the risk of electric shock.
- If operating a power tool in a damp location is unavoidable, use a residual current device (RCD) protected supply.** Use of an RCD reduces the risk of electric shock.

3) Personal safety

- Stay alert, watch what you are doing and use common sense when operating a power tool. Do not use a power tool while you are tired or under the influence of drugs, alcohol or medication.** A moment of inattention while operating power tools may result in serious personal injury.
- Use personal protective equipment. Always wear eye protection.** Protective equipment

such as dust mask, non-skid safety shoes, hard hat, or hearing protection used for appropriate conditions will reduce personal injuries.

- c) **Prevent unintentional starting. Ensure the switch is in the off-position before connecting to power source and/or battery pack, picking up or carrying the tool.** Carrying power tools with your finger on the switch or energising power tools that have the switch on invites accidents.
 - d) **Remove any adjusting key or wrench before turning the power tool on.** A wrench or a key left attached to a rotating part of the power tool may result in personal injury.
 - e) **Do not overreach. Keep proper footing and balance at all times.** This enables better control of the power tool in unexpected situations.
 - f) **Dress properly. Do not wear loose clothing or jewellery. Keep your hair, clothing and gloves away from moving parts.** Loose clothes, jewellery or long hair can be caught in moving parts.
 - g) **If devices are provided for the connection of dust extraction and collection facilities, ensure these are connected and properly used.** Use of dust collection can reduce dust related hazards.
 - h) **Do not let familiarity gained from frequent use of tools allow you to become complacent and ignore tool safety principles.** A careless action can cause severe injury within a fraction of a second.
- 4) Power tool use and care**
- a) **Do not force the power tool. Use the correct power tool for your application.** The correct power tool will do the job better and safer at the rate for which it was designed.
 - b) **Do not use the power tool if the switch does not turn it on and off.** Any power tool that cannot be controlled with the switch is dangerous and must be repaired.
 - c) **Disconnect the plug from the power source and/or the battery pack from the power tool before making any adjustments, changing accessories, or storing power tools.** Such preventive safety measures reduce the risk of starting the power tool accidentally.
 - d) **Store idle power tools out of the reach of children and do not allow persons unfamiliar with the power tool or these instructions to operate the power tool.** Power tools are dangerous in

the hands of untrained users.

- e) **Maintain power tools. Check for misalignment or binding of moving parts, breakage of parts and any other condition that may affect the power tool's operation. If damaged, have the power tool repaired before use.** Many accidents are caused by poorly maintained power tools.
 - f) **Keep cutting tools sharp and clean.** Properly maintained cutting tools with sharp cutting edges are less likely to bind and are easier to control.
 - g) **Use the power tool, accessories and tool bits etc. in accordance with these instructions, taking into account the working conditions and the work to be performed.** Use of the power tool for operations different from those intended could result in a hazardous situation.
 - h) **Keep handles and grasping surfaces dry, clean and free from oil and grease.** Slippery handles and grasping surfaces do not allow for safe handling and control of the tool in unexpected situations.
- 5) Battery tool use and care**
- a) **Recharge only with the charger specified by the manufacturer.** A charger that is suitable for one type of battery pack may create a risk of fire when used with another battery pack.
 - b) **Use power tools only with specifically designed battery packs.** Use of any other battery packs may create a risk of injury and fire.
 - c) **When battery pack is not in use, keep it away from other metal objects, like paper clips, coins, keys, nails, screws or other small metal objects that can make a connection from one terminal to another.** Shorting the battery terminals together may cause burns or a fire.
 - d) **Under abusive conditions, liquid may be ejected from the battery; avoid contact. If contact accidentally occurs, flush with water. If liquid contacts eyes, additionally seek medical help.** Liquid ejected from the battery may cause irritation or burns.
 - e) **Do not use a battery pack or tool that is damaged or modified.** Damaged or modified batteries may exhibit unpredictable behaviour resulting in fire, explosion or risk of injury.
 - f) **Do not expose a battery pack or tool to fire or excessive temperature.** Exposure to fire or temperature above 130 °C may cause explo-

sion. NOTE The temperature „130 °C“ can be replaced by the temperature „265 °F“.

- g) **Follow all charging instructions and do not charge the battery pack or tool outside the temperature range specified in the instructions.** Charging improperly or at temperatures outside the specified range may damage the battery and increase the risk of fire.
- 6) **Service**
- a) **Have your power tool serviced by a qualified repair person using only identical replacement parts.** This will ensure that the safety of the power tool is maintained.
- b) **Never service damaged battery packs.** Service of battery packs should only be performed by the manufacturer or authorized service providers.

ADDITIONAL SAFETY WARNINGS FOR WALL CHASER

- **Warning of laser radiation.** Laser class 2, P max.: <1 mW, λ: 650 nm, EN 60825-1:2014. Do not look directly into the laser beam or the opening from which it emerges. Never point the laser beam at people, animals or reflective surfaces. Even brief eye contact can lead to eye damage. Examining the laser output aperture by use of optical instruments (e.g. magnifying glass, magnifiers and the like) entails the risk of eye damage. When working with a laser of class 2, observe the national regulations on wearing eye protection.
- Do not work materials containing asbestos. Asbestos is considered carcinogenic.
- Wear safety goggles, hearing protection and if necessary other protective means, such as safety gloves, safety shoes, etc.
- Before use, remove all nails and other metal objects from the wall.
- Be aware of hidden pipes and wiring when cutting slots into walls.
- Always hold the machine with two hands.
- Do not use the machine without the guard.
- Inspect the cutting discs before each use. Do not use cutting discs which are bent, cracked, or otherwise damaged.
- Make sure that the cutting discs are properly mounted.
- Make sure that the cutting discs rotate in the correct direction.
- Do not use the machine with the cutting discs

facing upwards or to the side.

- Only use cutting discs that are suitable for use with the machine.
- Only use cutting discs with the correct dimensions.
- Do not use other accessories than cutting discs.
- Do not use the machine when a maximum slot depth is required that exceeds the maximum slot depth of the cutting discs.
- Make sure that your hands do not touch the rotating parts.
- Always work in the correct working direction (see indication on the base).
- Let the machine run at no load in a safe area after mounting the cutting discs. If the machine vibrates strongly, immediately switch off the machine, remove the mains plug from the mains, and try to solve the problem.
- Beware that the cutting discs continue to rotate for a short period after switching off the machine. Do not attempt to bring the cutting discs to a standstill yourself.
- Never put the machine down on a table or a workbench before it has been switched off.

Kickback

Kickback is the upward and backward movement of the cutting discs when the cutting discs unexpectedly touch an object. Securely hold the machine with both hands during use. Keep your attention focused on the operation.

Kickback is usually caused by:

- unintentionally touching hard objects or materials with the rotating cutting discs;
- blunt cutting discs;
- cutting discs that are not properly mounted;
- cutting into a previous cut;
- a lack of attention to the operation;
- an instable stance.

Electrical safety



Always check that the voltage of the power supply corresponds to the voltage on the rating plate.

- Do not use the machine if the mains cable or the mains plug is damaged.
- Only use extension cables that are suitable for the power rating of the machine with a minimum thickness of 1.5 mm². If you use an extension cable reel, always fully unroll the cable.

2. MACHINE INFORMATION

Intended use

Your wall chaser has been designed for making slots in masonry. The machine is only suitable for right-hand use.

TECHNICAL SPECIFICATIONS

Model No.	WC502AC
Mains voltage	230V~
Mains frequency	50Hz
Power input	1700W
No-load speed	4000 min ⁻¹
Slot width	14/19/29mm
Slot depth	5-40mm
Cutting disc Diameter:	150mm
Bore:	22.2mm
Spindle thread	M12
Protection class	IP20
Weight	5.1kg
Sound pressure L _{PA}	85.3 dB(A)
Acoustic power L _{WA}	96.3 dB(A)
Uncertainty (K)	3 dB(A)
Vibration (main grip)	7.214 m/s ²
Vibration (auxiliary grip)	5.843 m/s ²
Uncertainty (K)	1.5 m/s ²



Wear hearing protection.

Vibration level

The vibration emission level stated in this instruction manual has been measured in accordance with a standardized test given in EN60745; it may be used to compare one tool with another and as a preliminary assessment of exposure to vibration when using the tool for the applications mentioned.

- Using the tool for different applications, or with different or poorly maintained accessories, may significantly increase the exposure level.
- The times when the tool is switched off or when it is running but not actually doing the job, may significantly reduce the exposure level.

Protect yourself against the effects of vibration by maintaining the tool and its accessories, keeping your hands warm, and organizing your work patterns.

DESCRIPTION

The numbers in the text refer to the diagrams on pages 2 - 5.

- On/off switch
- Lock-off button
- Locking knob for slot depth
- Scale for slot depth
- Spindle lock button
- Guard
- Base
- Guide roller
- Dust extraction connection
- Main grip
- Auxiliary grip
- Allen screws
- Allen key
- Spindle
- Outer flange
- Flange key
- Cutting disc
- Spacers
- Cutting disc
- Spindle sleeve
- Inner flange
- Dust extraction adapter
- Laser
- On/off switch for laser
- Battery compartment

3. ASSEMBLY



Before assembly, always switch off the machine and remove the mains plug from the mains.

Replacing the cutting discs (fig. B - D)

Worn or damaged cutting discs must be replaced immediately.



- Only use sharp and undamaged cutting discs.
- Only use cutting discs that are suitable for the material to be worked.
- Only use cutting discs with a maximum permitted speed that is equal to or exceeds the maximum no-load speed

of the machine.

- Only use diamond cutting discs that are suitable for dry cutting.
- Always replace both cutting discs at the same time.
- Never attempt to remove the guard.

- Place the machine on a stable surface.
- Loosen the Allen screws (12) using the Allen key (13).
- Loosen the locking knob (3) and lower the base (7).
- Remove the guard (6).
- Keep the spindle lock button (5) pressed to lock the spindle (14).
- Loosen the outer flange (15) using the flange key (16). To untighten, turn clockwise. To tighten, turn anti-clockwise.
- Remove the old cutting disc (17), the spacers (18), the old cutting disc (19), the spindle sleeve (20), and the inner flange (21).
- If necessary, clean the flanges (15 & 21).
- Mount the inner flange (21), the spindle sleeve (20), the new cutting disc (19), the spacers (18), and the new cutting disc (17).
- Firmly tighten the outer flange (15) using the flange key (16).
- Release the spindle lock button (5).
- Mount the guard (6).
- Raise the base (7) and tighten the locking knob (3).
- Firmly tighten the Allen screws (12) using the Allen key (13).

4. OPERATION

Setting the slot width (fig. B - E)

The slot width can be set using the spacers between the cutting discs. The number of spacers between the cutting discs determine the slot width.



- Do not set the slot width during use.
- Always mount at least one spacer between the cutting discs.

- Determine the slot width.
- Mount the spacers (18) around the cutting discs (17 & 19) in the required order. Refer to the chapter "Replacing the cutting discs".

Setting the slot depth (fig. A & F)

The slot depth is variable between 5 and 40 mm. The slot depth can be read from the scale (4).



Do not set the slot depth during use.

- Slacken the locking knob (3).
- Tilt the base (7) to the required position. Set a slot depth approximately 3 mm deeper than the required depth to compensate for possible unevenness of the wall surface.
- Tighten the locking knob (3).

Switching on and off (fig. A)

- To switch on the machine, keep the lock-off button (2) pressed and simultaneously press the on/off switch (1).
- To switch off the machine, release the on/off switch (1).

Using the laser (fig. A)

- To switch on the laser (23), press the on/off switch (24).
- To switch off the laser (23), release the on/off switch (24).

Overload protection

The machine is equipped with an overload protection device which automatically switches off the machine if the machine is overloaded.

- Switch off the machine.
- Remove the machine from the workpiece.
- Switch on the machine.
- Run the machine at no-load for approximately 1 minute to allow the machine to cool down.

Dust extraction (fig. G)

Only use the machine when it is connected to a vacuum device which is approved for stone dust. The vacuum device must be suitable for the material to be worked. Use a special vacuum device when working with toxic materials or where toxic dust is produced.



- Never use a household vacuum cleaner. The use of a household vacuum cleaner can easily damage both your health and the vacuum cleaner.
- Always use the dust extraction adapter.
- Make sure that the hose of the vacuum device is securely connected to the

dust extraction adapter.

- *If the vacuum device breaks down, stop work immediately, switch off the machine, remove the mains plug from the mains, and try to solve the problem.*

- Insert the dust extraction adapter (22) into the dust extraction connection (9).
- Connect the hose of a vacuum device to the dust extraction adapter (22).

Hints for optimum use

- Draw lines to define the direction in which to guide the cutting discs.
- Hold the machine with both hands. Keep your second hand on the auxiliary grip (11).
- Set the slot width.
- Take one of the following steps:
 - Lower the machine into the wall and set the slot depth (recommended). The machine is placed against the wall and the cutting discs lower into the wall in order to set the slot depth more accurately.
 - Set the slot depth and lower the machine into the wall.
- Place the machine with the guide roller (8) on the wall. Make sure that the cutting discs align with the drawn lines on the wall.
- Set the slot depth.
- Switch on the machine.
- Wait until the machine has reached full speed.
- Slowly move the machine along the pre-drawn lines from top to bottom, firmly pressing the guide roller (8) against the wall (fig.H).
- Do not apply too much pressure on the machine. Let the machine do the work.
- Switch off the machine and wait for the machine to come to a complete standstill before putting the machine down.

5. MAINTENANCE



Always disconnect the machine from the main power supply before carrying out any maintenance work.

Clean the machine casings regularly with a soft cloth, preferably after each use. Make sure that the ventilation openings are free of dust and dirt. Remove very persistent dirt using a soft cloth moistened with soapsuds. Do not use any solvents

such as gasoline, alcohol, ammonia, etc. Chemicals such as these will damage the synthetic components.

Replacing the batteries (fig. I)

The laser uses 2 AAA batteries. If the laser stops working, the batteries must be replaced.

- Remove the cover (26) from the battery compartment (25).
- Remove the old batteries (27).
- Place the new batteries (27).
- Mount the cover (27) to the battery compartment (25).

ENVIRONMENT



Faulty and/or discarded electrical or electronic apparatus have to be collected at the appropriate recycling locations.

Only for EC countries

Do not dispose of power tools into domestic waste. According to the European Guideline 2012/19/EC for Waste Electrical and Electronic Equipment and its implementation into national right, power tools that are no longer usable must be collected separately and disposed of in an environmentally friendly way.

WARRANTY

VONROC products are developed to the highest quality standards and are guaranteed free of defects in both materials and workmanship for the period lawfully stipulated starting from the date of original purchase. Should the product develop any failure during this period due to defective material and/or workmanship then contact VONROC directly.

The following circumstances are excluded from this guarantee:

- Repairs and or alterations have been made or attempted to the machine by unauthorized service centers;
- Normal wear and tear;
- The tool has been abused, misused or improperly maintained;
- Non-original spare parts have been used.

This constitutes the sole warranty made by company either expressed or implied. There are no other warranties expressed or implied which extend

beyond the face hereof, herein, including the implied warranties of merchantability and fitness for a particular purpose. In no event shall VONROC be liable for any incidental or consequential damages. The dealers remedies shall be limited to repair or replacement of nonconforming units or parts.

The product and the user manual are subject to change. Specifications can be changed without further notice.

1. SICHERHEITSANWEISUNGEN

Lesen Sie die beiliegenden Sicherheitsanweisungen, die zusätzlichen Sicherheitsanweisungen sowie diese Bedienungsanleitung sorgfältig durch.

Bei Nichtbeachten der Sicherheitsanweisungen und der Bedienungsanleitung kann es zu einem Stromschlag, einem Brand und/oder schweren Verletzungen kommen. Bewahren Sie die Sicherheitsanweisungen und die Bedienungsanleitung zur künftigen Bezugnahme sicher auf.

Folgende Symbole werden im Benutzerhandbuch oder auf dem Produkt verwendet:



Benutzerhandbuch/Bedienungsanleitung lesen.



Gefahr von Personenverletzungen.



Gefahr eines Stromschlags.



Ziehen Sie sofort den Netzstecker aus der Steckdose, falls das Netzkabel beschädigt wird sowie bei der Reinigung und Wartung.



Tragen Sie eine Schutzbrille. Tragen Sie einen Gehörschutz.



Tragen Sie eine Staubmaske.



Gefahr von herumfliegenden Gegenständen. Halten Sie Unbeteiligte vom Arbeitsbereich fern.



Werkzeug/Gerät der Schutzklasse II - schutzisoliert - kein Schutzkontaktanschluss erforderlich.



Warnung vor Laserstrahlung.



Produkt vorschriftsmäßig entsorgen, nicht über den Hausmüll.



Das Produkt entspricht den geltenden Sicherheitsnormen der europäischen Richtlinien.

ALLGEMEINE SICHERHEITSHINWEISE

ACHTUNG! Lesen Sie alle Sicherheitshinweise und Anweisungen. Fehler bei der Einhaltung der nachstehend aufgeführten Anweisungen können elektrischen Schlag, Brand und/oder schwere Verletzungen verursachen.

Bewahren Sie diese Anweisungen gut auf. Der nachfolgend verwendete Begriff „Elektrowerkzeug“ bezieht sich auf netzbetriebene Elektrowerkzeuge (mit Netzkabel) und auf akkubetriebene Elektrowerkzeuge (ohne Netzkabel).

1) Arbeitsplatz

- a) **Halten Sie Ihren Arbeitsbereich sauber und aufgeräumt.** Unordnung und unbeleuchtete Arbeitsbereiche können zu Unfällen führen.
- b) **Arbeiten Sie mit dem Gerät nicht in explosionsgefährdeter Umgebung, in der sich brennbare Flüssigkeiten, Gase oder Staub befinden.** Elektrowerkzeuge erzeugen Funken, die den Staub oder die Dämpfe entzünden können.
- c) **Halten Sie Kinder und andere Personen während der Benutzung des Elektrowerkzeugs fern.** Bei Ablenkung können Sie die Kontrolle über das Gerät verlieren.

2) Elektrische Sicherheit

- a) **Der Anschlussstecker des Gerätes muss in die Steckdose passen. Der Netzstecker darf in keener Weise verändert werden. Verwenden Sie keine Adapterstecker gemeinsam mit Schutzgeerdeten Geräten. Unveränderte Netzstecker** und passende Steckdosen verringern das Risiko eines elektrischen Schlages.
- b) **Vermeiden Sie Körperkontakt mit geerdeten Oberflächen, wie von Rohren, Heizungen, Herden und Kühlschränken.** Es besteht ein erhöhtes Risiko durch elektrischen Schlag, wenn Ihr Körper geerdet ist.
- c) **Halten Sie das Gerät von Regen oder Nässe fern.** Das Eindringen von Wasser in ein Elektrogerät erhöht das Risiko eines elektrischen Schlages.
- d) **Zweckentfremden Sie das Netzkabel nicht, um das Gerät zu tragen, aufzuhängen oder um den Netzstecker aus der Steckdose zu ziehen. Halten Sie das Netzkabel fern von Hitze, Öl, scharfen Kanten oder sich bewegenden Geräteteilen.** Beschädigte oder verwickelte Netzkabel erhöhen das Risiko eines elektrischen Schlages.
- e) **Wenn Sie mit einem Elektrowerkzeug**

im Freien arbeiten, verwenden Sie nur Verlängerungskabel, die auch für den Außenbereich zugelassen sind. Die Anwendung eines für den Außenbereich geeigneten Verlängerungskabels verringert das Risiko eines elektrischen Schlages

- f) **Wenn sich Arbeiten mit einem Elektrowerkzeug in feuchten Umgebungen nicht vermeiden lassen, verwenden Sie eine Stromversorgung mit einer Fehlerstrom-Schutzeinrichtung (RCD).** Durch die Verwendung einer RCD wird die Gefahr eines elektrischen Schlages verringert.

3) Sicherheit von Personen

- a) **Seien Sie aufmerksam. Achten Sie darauf, was Sie tun, und gehen Sie mit Vernunft an die Arbeit mit einem Elektrowerkzeug. Benutzen Sie das Gerät nicht, wenn Sie müde sind oder unter dem Einfluss von Drogen, Alkohol oder Medikamenten stehen.** Ein Moment der Unachtsamkeit beim Gebrauch des Gerätes kann zu ernsthaften Verletzungen führen.
- b) **Tragen Sie persönliche Schutzausrüstung und immer eine Schutzbrille.** Das Tragen persönlicher Schutzausrüstung, wie Staubmaske, rutschfeste Sicherheitsschuhe, Schutzhelm oder Gehörschutz, je nach Art und Einsatz des Elektrowerkzeuges, verringert das Risiko von Verletzungen.
- c) **Vermeiden Sie eine unbeabsichtigte Inbetriebnahme. Vergewissern Sie sich, dass der Schalter in der Position „AUS(0)“ ist, bevor Sie den Netzstecker in die Steckdose stecken.** Wenn Sie beim Tragen des Gerätes den Finger am Schalter haben oder das Gerät eingeschaltet an die Stromversorgung anschließen, kann dies zu Unfällen führen.
- d) **Entfernen Sie Einstellwerkzeuge oder Schraubenschlüssel, bevor Sie das Gerät einschalten.** Ein Werkzeug oder Schlüssel, der sich in einem drehenden Geräteteil befindet, kann zu Verletzungen führen.
- e) **Überschätzen Sie sich nicht. Sorgen Sie für einen sicheren Stand und halten Sie jederzeit das Gleichgewicht.** Dadurch können Sie das Gerät in unerwarteten Situationen besser kontrollieren.
- f) **Tragen Sie geeignete Kleidung. Tragen Sie keine weite Kleidung oder Schmuck. Halten Sie Haare, Kleidung und Handschuhe fern von sich bewegenden Teilen.** Lockere Kleidung, Schmuck oder lange Haare können von sich

- bewegenden Teilen erfasst werden.
- g) **Wenn Staubabsaug- und -auffangeinrichtungen montiert werden können, vergewissern Sie sich, dass diese angeschlossen sind und richtig verwendet werden.** Das Verwenden dieser Einrichtungen verringert Gefährdungen durch Staub.
- h) **Achten Sie darauf, nicht durch häufigen Gebrauch von Werkzeugen nachlässig zu werden und die Prinzipien zum sicheren Umgang mit den Werkzeugen zu ignorieren.** Eine unachtsame Handlung kann innerhalb von Sekundenbruchteilen schwere Verletzungen verursachen.
- 4) Sorgfältiger Umgang und Gebrauch von Elektrowerkzeugen**
- a) Überlasten Sie das Gerät nicht. Verwenden **Sie für Ihre Arbeit das dafür bestimmte Elektrowerkzeug.** Mit dem passenden Elektrowerkzeug arbeiten Sie besser und sicherer im angegebenen Leistungsbereich.
- b) **Benutzen Sie kein Elektrowerkzeug, dessen Schalter defekt ist.** Ein Elektrowerkzeug, das sich nicht mehr ein- oder ausschalten lässt, ist gefährlich und muss repariert werden.
- c) **Ziehen Sie den Netzstecker aus der Steckdose, bevor Sie Geräteeinstellungen vornehmen, Zubehörteile wechseln oder das Gerät weglegen.** Diese Vorsichtsmaßnahme verhindert den unbeabsichtigten Start des Geräts.
- d) **Bewahren Sie unbenutzte Elektrowerkzeuge außerhalb der Reichweite von Kindern auf. Lassen Sie Personen das Gerät nicht benutzen, die mit diesem nicht vertraut sind oder diese Anweisungen nicht gelesen haben.** Elektrowerkzeuge sind gefährlich, wenn Sie von unerfahrenen Personen benutzt werden.
- e) **Pflegen Sie das Gerät mit Sorgfalt. Kontrollieren Sie, ob bewegliche Geräteteile einwandfrei funktionieren und nicht klemmen, ob Teile gebrochen oder so beschädigt sind, dass die Funktion des Gerätes beeinträchtigt ist. Lassen Sie beschädigte Teile vor dem Einsatz des Gerätes reparieren.** Viele Unfälle haben ihre Ursache in schlecht gewarteten Elektrowerkzeugen.
- f) **Halten Sie Schneidwerkzeuge scharf und sauber.** Sorgfältig gepflegte Schneidwerkzeuge mit scharfen Schneidkanten verklemmen sich weniger und sind leichter zu führen.
- g) **Verwenden Sie Elektrowerkzeug, Zubehör, Einsatzwerkzeuge usw. entsprechend diesen Anweisungen und so, wie es für diesen speziellen Gerätetyp vorgeschrieben ist. Berücksichtigen Sie dabei die Arbeitsbedingungen und die auszuführende Tätigkeit.** Der Gebrauch von Elektrowerkzeugen für andere als die vorgesehenen Anwendungen kann zu gefährlichen Situationen führen.
- h) **Halten Sie Griffe und Greifflächen immer trocken, sauber und frei von Öl und Fett.** Rutschige Griffe und Greifflächen verhindern in unerwarteten Situationen den sicheren Umgang mit dem Werkzeug und die richtige Kontrolle darüber.
- 5) Umgang mit Akkuwerkzeugen**
- a) **Zum Laden ist ausschließlich das vom Hersteller angegebene Ladegerät zu verwenden.** Ein Ladegerät, das für eine Art von Akkus geeignet ist, kann bei Verwendung mit einer anderen Art von Akku Brandgefahr verursachen.
- b) **Elektrowerkzeuge dürfen nur mit speziell dazu bestimmten Akkus verwendet werden,** da bei der Verwendung anderer Akkus Verletzungs- und Brandgefahr entstehen kann.
- c) **Wenn der Akku nicht in Gebrauch ist, ist er von Büroklammern, Münzen, Schlüssel, Nägel, Schrauben und anderen kleinen Metallobjekten fernzuhalten, die eine Verbindung zwischen den Polen bilden können.** Kurzschließen der Pole kann Brand oder Verbrennungen verursachen.
- d) **Bei falschem Umgang mit dem Akku kann Flüssigkeit aus dem Akku austreten. Die Berührung dieser Flüssigkeit ist zu vermeiden. Bei Berührung den betroffenen Körperteil mit Wasser abspülen. Bei Berührung der Flüssigkeit mit den Augen muss zusätzlich ärztliche Hilfe gerufen werden.** Die Akkuflüssigkeit kann Reizungen oder Verbrennungen verursachen.
- e) **Verwenden Sie keinesfalls Akkus und Werkzeuge, die beschädigt oder verändert wurden.** Beschädigte oder veränderte Akkus können ein unvorhersehbares Verhalten zeigen, das zu Feuer, Explosionen oder Verletzungsgefahren führt.
- f) **Setzen Sie Akkus oder Werkzeuge keinem Feuer oder übermäßigen Temperaturen aus.** Feuer oder Temperaturen über 130 °C können zu Explosionen führen. HINWEIS: Die Temperaturangabe „130 °C“ kann durch die Temperaturangabe „265 °F“ ersetzt werden.
- g) **Beachten Sie alle Hinweise zum Aufladen**

und laden Sie Akkus oder Werkzeuge nicht außerhalb der in der Anleitung angegebenen Temperaturbereiche auf. Unsachgemäßes Aufladen oder Aufladen bei Temperaturen außerhalb des angegebenen Bereichs kann den Akku schädigen und die Brandgefahr erhöhen.

6) Service

- a) **Lassen Sie Ihre Werkzeuge durch einen qualifizierten Reparaturtechniker ausschließlich mit identischen Ersatzteilen warten.** So lässt sich eine gleich bleibende Sicherheit des Elektrowerkzeugs gewährleisten.
- b) **Beschädigte Akkus dürfen keinesfalls gewartet werden.** Die Wartung von Akkus darf nur vom Hersteller oder von Vertragswerkstätten durchgeführt werden.

ZUSÄTZLICHE SICHERHEITSHINWEISE FÜR MAUERNUTFRÄSE

- **Warnung vor Laserstrahlung.** Laserklasse 2, P_{max}: <1 mW, λ: 650 nm, EN 60825-1: 2014 Richten Sie den Laserstrahl nicht auf Personen oder Tiere und starren Sie nicht in den Laserstrahl, auch nicht aus der Distanz. Dieses Elektrowerkzeug erzeugt einen Laser mit einer Laserstrahlung der Klasse 2 gemäß EN 60825-1. Diese kann dazu führen, dass Personen erblinden.
- Bearbeiten Sie keine asbesthaltigen Materialien. Asbest wird als krebserregend eingestuft.
- Tragen Sie eine Schutzbrille, einen Gehörschutz und gegebenenfalls weitere Schutzausrüstung wie Sicherheitshandschuhe, Sicherheitsschuhe, usw.
- Entfernen Sie vor dem Gebrauch alle Nägel und sonstigen Gegenstände aus der Wand.
- Achten Sie beim Fräsen von Schlitz in Wände auf versteckte Rohrleitungen und Drähte.
- Halten Sie die Maschine stets mit beiden Händen fest.
- Verwenden Sie die Maschine nicht ohne Schutzzvorrichtung.
- Überprüfen Sie die Schneidscheiben vor jedem Gebrauch. Verwenden Sie keine verbogenen, gerissenen oder anderweitig beschädigten Schneidscheiben.
- Vergewissern Sie sich, dass die Schneidscheiben richtig angebracht sind.
- Vergewissern Sie sich, dass sich die Schneidscheiben in die richtige Richtung drehen.
- Verwenden Sie die Maschine nicht mit den Sch-

- neidscheiben nach oben oder zur Seite weisend.
- Verwenden Sie nur Schneidscheiben, die für den Gebrauch mit der Maschine geeignet sind.
- Verwenden Sie nur Schneidscheiben mit den richtigen Maßen.
- Verwenden Sie kein anderes Zubehör als Schneidscheiben.
- Verwenden Sie die Maschine nicht, wenn eine maximale Schlitztiefe erforderlich ist, die die maximale Schlitztiefe der Schneidscheiben überschreitet.
- Achten Sie darauf, dass Ihre Hände nicht die rotierenden Teile berühren.
- Arbeiten Sie stets in der richtigen Arbeitsrichtung (siehe Anzeige auf dem Fuß).
- Lassen Sie die Maschine nach dem Anbringen der Schneidscheiben in einem sicheren Bereich im Leerlauf laufen. Vibriert die Maschine stark, schalten Sie sie sofort aus, ziehen Sie den Netzstecker aus der Steckdose und versuchen Sie, das Problem zu beheben.
- Seien Sie sich darüber im Klaren, dass die Schneidscheiben nach dem Abschalten der Maschine noch etwas nachlaufen. Versuchen Sie nicht, die Schneidscheiben selbst zum Stillstand zu bekommen.
- Legen Sie die Maschine niemals auf einem Tisch oder einer Werkbank ab, bevor sie nicht abgeschaltet wurde.

Rückschlag

Als Rückschlag wird die Auf- und Rückwärtsbewegung der Schneidscheiben bezeichnet, wenn diese unerwartet auf einen Gegenstand treffen. Halten Sie die Maschine beim Gebrauch sicher mit beiden Händen fest. Konzentrieren Sie sich auf die Arbeit.

Ein Rückschlag wird normalerweise verursacht durch:

- ein unbeabsichtigtes Berühren harter Gegenstände oder Materialien mit den rotierenden Schneidscheiben;
- stumpfe Schneidscheiben;
- Schneidscheiben, die nicht richtig montiert sind;
- Fräsen in einem vorherigen Schnitt;
- mangelnde Aufmerksamkeit bei der Arbeit;
- eine instabile Haltung.

Elektrische Sicherheit



Achten Sie stets darauf, dass die Spannung der Stromversorgung mit der Spannung auf dem Typenschild übereinstimmt.

- Verwenden Sie die Maschine nicht, wenn das Netzkabel oder der Netzstecker beschädigt ist.
- Verwenden Sie nur Verlängerungskabel, die für die Leistungsaufnahme der Maschine geeignet sind und eine Mindestaderstärke von 1.5 mm² haben. Falls Sie eine Kabeltrommel verwenden, rollen Sie das Kabel immer vollständig ab.

2. ANGABEN ZUM WERKZEUG

Einführung

Ihre Mauernutfräse wurde konstruiert, um Schlitzte in Mauerwerk zu fräsen. Die Maschine eignet sich nur für rechtshändigen Gebrauch.

TECHNISCHE DATEN

Modellnummer	WC502AC
Netzspannung	230V~
Netzfrequenz	50Hz
Leistungsaufnahme	1700W
Leerlaufgeschwindigkeit	4000 min ⁻¹
Schlitzbreite	14/19/29mm
Schlitztiefe	5-40mm
Schneidscheibe	
Durchmesser:	150mm
Bohrung:	22,2mm
Spindelgewinde	M12
Schutzklasse	IP20
Gewicht	5,1kg
Schalldruck L _{PA}	85,3 dB(A)
Schallleistung L _{WA}	96,3 dB(A)
Unsicherheitsfaktor (K)	3 dB(A)
Vibrationen (Haupthandgriff)	7,214 m/s ²
Vibrationen (Zusatzhandgriff)	5,843 m/s ²
Unsicherheitsfaktor (K)	1,5 m/s ²



Tragen Sie einen Gehörschutz.

Vibrationsintensität

Die in dieser Bedienungsanleitung angegebene Vibrationsintensität wurde mit einem standardisierten Test gemäß EN60745 gemessen. Anhand dieser Größe können Werkzeuge miteinander verglichen werden. Außerdem eignet sich diese Größe für eine erste Beurteilung der Vibrationsbelastung bei

Verwendung des Werkzeugs für die angegebenen Anwendungszwecke.

- Bei Verwendung des Werkzeugs für andere Anwendungen oder mit anderem oder unzureichend gewartetem Zubehör kann sich die Vibrationsbelastung erheblich erhöhen.
- Wenn das Werkzeug ausgeschaltet ist, oder wenn es eingeschaltet ist, jedoch nicht genutzt wird, kann sich die Vibrationsbelastung erheblich verringern.

Schützen Sie sich vor den Auswirkungen der Vibration durch Wartung des Werkzeugs und des Zubehörs, halten Sie Ihre Hände warm, und organisieren Sie Ihren Arbeitsablauf.

BESCHREIBUNG

Die Buchstaben und Ziffern im folgenden Text verweisen auf die Abbildungen auf den Seiten 2 bis 5.

1. Ein-/Ausschalter
2. Ausschalter
3. Arretierknopf für Schlitztiefe
4. Skala für Schlitztiefe
5. Spindelverriegelungstaste
6. Schutzvorrichtung
7. Basis
8. Führungsrolle
9. Anschluss für Staubabsaugvorrichtung
10. Hauptgriff
11. Zusatzgriff
12. Inbusschrauben
13. Inbusschlüssel
14. Spindel
15. Außenflansch
16. Flanschschlüssel
17. Trennscheibe
18. Abstandsscheiben
19. Trennscheibe
20. Spindelhülse
21. Innenflansch
22. Adapter für Staubabsaugvorrichtung
23. Laser
24. Ein-/Aus-Schalter für Laser
25. Batteriefach

3. MONTAGE



Schalten Sie die Maschine vor der Montage aus und ziehen Sie den Netzstecker aus der Steckdose.

Erneuerung der Schneidscheiben (Abb. B - D)

Verschlossene oder beschädigte Schneidscheiben müssen unverzüglich erneuert werden.



- Verwenden Sie ausschließlich scharfe und unbeschädigte Schneidscheiben.
- Verwenden Sie nur Schneidscheiben, die für das zu bearbeitende Material geeignet sind.
- Verwenden Sie nur Schneidscheiben mit einer maximal zulässigen Geschwindigkeit, die der maximalen Leerlaufgeschwindigkeit der Maschine entspricht bzw. diese überschreitet.
- Verwenden Sie ausschließlich Diamant-Schneidscheiben, die für Trockenschnitte geeignet sind.
- Erneuern Sie stets beide Schneidscheiben gleichzeitig.
- Versuchen Sie niemals, die Schutzvorrichtung zu entfernen.

- Legen Sie die Maschine auf eine stabile Oberfläche.
- Lösen Sie die Inbusschrauben (12) mit dem Inbusschlüssel (13).
- Lösen Sie den Sicherungsknopf (3) und senken Sie den Fuß (7).
- Entfernen Sie die Schutzvorrichtung (6).
- Halten Sie die Spindelarretierungstaste (5) gedrückt, um die Spindel (14) zu arretieren.
- Lösen Sie den Außenflansch (15) mit dem Flanschschlüssel (16). Zum Lösen im Uhrzeigersinn drehen. Zum Festziehen gegen den Uhrzeigersinn drehen.
- Entfernen Sie die alte Schneidscheibe (17), die Abstandsstücke (18), die alte Schneidscheibe (19), die Spindelmanschette (20) und den Innenflansch (21).
- Reinigen Sie gegebenenfalls die Flansche (15 & 21).
- Montieren Sie den Innenflansch (21), die Spindelmanschette (20), die neue Schneidscheibe (19), die Abstandsstücke (18) und die neue Schneidscheibe (17).
- Ziehen Sie den Außenflansch (15) mit dem Flanschschlüssel (16) fest an.
- Lösen Sie die Spindelarretierungstaste (5) los.
- Bringen Sie die Schutzvorrichtung (6) an.
- Heben Sie den Fuß (7) an und ziehen Sie die Sicherungsknopf (3) an.

- Ziehen Sie die Inbusschrauben (12) mit dem Inbusschlüssel (13) fest an.

4. BETRIEB**Einstellung der Schlitzbreite (Abb. B - E)**

Die Schlitzbreite lässt sich durch Verwendung der Abstandsstücke zwischen den Schneidscheiben einstellen. Die Anzahl der Abstandsstücke zwischen den Schneidscheiben bestimmt die Schlitzbreite.



- Stellen Sie die Schlitzbreite nicht während des Gebrauchs ein.
- Bringen Sie mindestens ein Abstandsstück zwischen den Schneidscheiben an.

- Legen Sie die Schlitzbreite fest.
- Bringen Sie die Abstandsstücke (18) in der erforderlichen Reihenfolge um die Schneidscheiben (17 & 19) herum an. Schlagen Sie im Kapitel "Erneuerung der Schneidscheiben" nach.

Einstellung der Schlitztiefe (Abb. A & F)

Die Schlitztiefe ist zwischen 5 und 40 mm einstellbar und kann auf der Skala (4) abgelesen werden.



Stellen Sie die Schlitztiefe nicht während des Gebrauchs ein.

- Lockern Sie den Sicherungsknopf (3).
- Schwenken Sie den Maschinenfuß (7) in die erforderliche Position. Stellen Sie eine Schlitztiefe ein, die ca. 3 mm tiefer ist als die erforderliche Tiefe, um eventuelle Unebenheiten auf der Wandoberfläche auszugleichen.
- Ziehen Sie den Sicherungsknopf (3) an.

Ein- und Ausschalten (Abb. A)

- Um die Maschine einzuschalten, halten Sie die Einschaltsperr (2) gedrückt und drücken Sie gleichzeitig auf den Ein-/Aus-Schalter (1).
- Um die Maschine auszuschalten, lassen Sie den Ein-/Aus-Schalter (1) los.

Verwendung des Lasers (Abb. A)

- Um den Laser (23) einzuschalten, drücken Sie auf den Ein-/Aus-Schalter (24).
- Um den Laser (8) auszuschalten, lassen Sie den Ein-/Aus-Schalter (24) los.

Überlastungsschutz

Die Maschine ist mit einem Überlastungsschutz ausgerüstet, der die Maschine im Falle einer Überlastung automatisch abschaltet.

- Schalten Sie die Maschine aus.
- Entfernen Sie die Maschine aus dem Werkstück.
- Schalten Sie die Maschine ein.
- Lassen Sie die Maschine ca. 1 Minute im Leerlauf laufen, damit sie sich abkühlt.

Staubabsaugung (Abb. G)

Verwenden Sie die Maschine nur, wenn sie an einer Absaugvorrichtung angeschlossen ist, die für Stein- und Holzstaub zugelassen ist. Die Absaugvorrichtung muss für das zu bearbeitende Material geeignet sein. Verwenden Sie eine spezielle Absaugvorrichtung, wenn Sie mit giftigen Materialien arbeiten oder wenn giftiger Staub verursacht wird.



- *Verwenden Sie niemals einen Haushaltsstaubsauger. Durch die Verwendung eines Haushaltsstaubsaugers schaden Sie sowohl Ihrer Gesundheit als auch dem Staubsauger.*
- *Verwenden Sie stets den Staubabsaugadapter.*
- *Vergewissern Sie sich, dass der Schlauch der Absaugvorrichtung sicher mit dem Staubabsaugadapter verbunden ist.*
- *Falls die Absaugvorrichtung ausfällt, stellen Sie die Arbeit unverzüglich ein, schalten Sie die Maschine aus, ziehen Sie den Netzstecker aus der Steckdose und versuchen Sie, das Problem zu beheben.*

- Stecken Sie den Staubabsaugadapter (22) in die Staubabsaugverbindung (9).
- Verbinden Sie den Schlauch einer Absaugvorrichtung mit dem Staubabsaugadapter (22).

Ratschläge für optimale Arbeitsergebnisse

- Zeichnen Sie Linien, um die Richtung vorzugeben, in der die Schneidscheiben geführt werden.
- Halten Sie die Maschine mit beiden Händen fest. Lassen Sie die andere Hand am Zusatzgriff (11).
- Stellen Sie die Schlitzbreite ein.
- Führen Sie einen der folgenden Schritte durch:
 - Senken Sie die Maschine in die Wand und stellen Sie die Schlitztiefe (empfohlen) ein. Die Maschine wird gegen die Wand gehalten

und die Schneidscheiben werden in die Wand gesenkt, um die Schlitztiefe noch genauer einzustellen.

- Stellen Sie die Schlitztiefe ein und senken Sie die Maschine in die Wand.
- Halten Sie die Maschine mit der Führungsrolle (8) an die Wand. Vergewissern Sie sich, dass die Schneidscheiben mit den auf die Wand gezeichneten Linien übereinstimmen.
- Stellen Sie die Schlitztiefe ein.
- Schalten Sie die Maschine ein.
- Warten Sie, bis die Maschine ihre volle Geschwindigkeit erreicht hat.
- Bewegen Sie die Maschine langsam die gezeichnete Linie entlang, wobei Sie die Führungsrolle (8) fest gegen die Wand drücken (Abb. H).
- Üben Sie nicht zu viel Druck auf die Maschine aus. Lassen Sie die Maschine die Arbeit verrichten.
- Schalten Sie die Maschine aus und warten Sie, bis sie vollkommen zum Stillstand gekommen ist, bevor Sie sie ablegen.

5. WARTUNG



Trennen Sie die Maschine vom Netz, wenn Sie am Mechanismus Wartungsarbeiten ausführen müssen.


Reinigen Sie das Werkzeuggehäuse regelmäßig mit einem weichen Lappen, vorzugsweise nach jeder Verwendung. Stellen Sie sicher, dass die Lüftungsöffnungen frei von Staub und Schmutz sind. Entfernen Sie anhaftenden Schmutz mit einem weichen Lappen, der leicht mit Seifenwasser befeuchtet wurde. Verwenden Sie keine Lösungsmittel wie Benzin, Alkohol, Ammoniak usw., da Chemikalien dieser Art die Kunststoffteile beschädigen.

Austausch der Batterien (Abb. I)

Der Laser arbeitet mit 2 AAA-Batterien. Sobald der Laser nicht mehr arbeitet, müssen die Batterien ausgetauscht werden.

- Entfernen Sie den Deckel (26) vom Batteriefach (25).
- Entfernen Sie die alten Batterien (27).
- Setzen Sie die neuen Batterien (27) ein.
- Bringen Sie den Deckel (26) am Batteriefach (9) an.

UMWELTSCHUTZ

 *Schadhafte und/oder zu entsorgende elektrische oder elektronische Werkzeuge und Geräte müssen an den dafür vorgesehenen Recycling-Stellen abgegeben werden.*

Nur für EG-Länder

Entsorgen Sie Elektrowerkzeuge nicht über den Hausmüll. Entsprechend der EU-Richtlinie 2012/19/EG über Elektro- und Elektronik-Altgeräte sowie der Umsetzung in nationales Recht müssen Elektrowerkzeuge, die nicht mehr im Gebrauch sind, getrennt gesammelt und umweltschonend entsorgt werden.

GARANTIE

VONROC-Produkte werden nach den höchsten Qualitätsstandards entwickelt und sind für den gesetzlich festgelegten Zeitraum, ausgehend von dem ursprünglichen Kaufdatum, garantiert frei von Fehlern in Material und Ausführung. Sollte das Produkt in diesem Zeitraum aufgrund von Material- und/oder Verarbeitungsmängeln Fehler aufweisen, wenden Sie sich bitte direkt an VONROC Kundendienst.

Folgende Umstände sind von der Garantie ausgeschlossen:

- Reparaturen und oder Änderungen an der Maschine, die durch nicht-autorisierte Servicestellen vorgenommen oder versucht wurden.
- Normale Abnutzung und Verschleiß.
- Das Werkzeug wurde übermäßig beansprucht, missbräuchlich verwendet oder falsch gewartet.
- Es wurden keine Original-Ersatzteile verwendet.

Dies stellt die einzige Gewährleistung des Unternehmens dar, sowohl ausdrücklich als auch implizit. Es gibt keine anderen ausdrücklichen oder stillschweigenden Garantien, die über das hier Genannte hinausgehen, einschließlich der stillschweigenden Garantien der Marktgängigkeit oder Eignung für einen bestimmten Zweck. In keinem Fall ist VONROC haftbar für Neben- oder Folgeschäden. Die Rechtsmittel des Händlers beschränken sich auf Reparatur oder Ersatz fehlerhafter Einheiten oder Teile.

Am Produkt und am Benutzerhandbuch können Änderungen vorgenommen werden. Die technischen Daten können sich ohne Vorankündigung ändern.

1. VEILIGHEIDSVOORSCHRIFTEN

Lees de bijgesloten veiligheidswaarschuwingen, de aanvullende veiligheidswaarschuwingen en de instructies. Het niet opvolgen van de veiligheidswaarschuwingen kan elektrische schokken, brand en/of ernstig letsel tot gevolg hebben. Bewaar de veiligheidswaarschuwingen en instructies als naslagwerk voor later.

De volgende symbolen worden gebruikt in de gebruikershandleiding of op het product:



Lees de gebruikershandleiding.



Gevaar voor persoonlijk letsel.



Gevaar voor elektrische schokken.



Verwijder onmiddellijk de netstekker uit het stopcontact indien de netkabel beschadigd raakt en tijdens reiniging en onderhoud.



*Draag een veiligheidsbril.
Draag gehoorbescherming.*



Draag een stofmasker.



*Gevaar voor rondvliegende voorwerpen.
Houd omstanders uit de buurt van het werkgebied.*



Klasse II apparaat - Dubbel geïsoleerd - Een geaarde stekker is niet noodzakelijk.



Waarschuwing voor laserstraling.



Werp het product niet weg in ongeschikte containers.



Het product is in overeenstemming met de van toepassing zijnde veiligheidsnormen in de Europese richtlijnen.

ALGEMENE VEILIGHEIDSVOORSCHRIFTEN

WAARSCHUWING! Lees alle veiligheidswaarschuwingen en alle instructies. Het niet opvolgen van onderstaande instructies kan leiden tot een elektrische schok, brand en/of ernstig persoonlijk letsel.



Bewaar deze instructies.

De term “elektrisch gereedschap” in onderstaande waarschuwingen heeft betrekking op zowel apparatuur met een vaste elektriciteitskabel als op apparatuur met een accu (draadloze apparatuur).

1) Werkgebied

- a) **Zorg voor een opgeruimde en goed verlichte werkomgeving.** Rommelige en donkere werkomgevingen leiden tot ongelukken
- b) **Gebruik elektrisch gereedschap nooit in een omgeving waar explosiegevaar bestaat, zoals in de nabijheid van ontvlambare vloeistoffen, gassen, dampen of andere stoffen.** Elektrische gereedschappen kunnen vonken veroorzaken, die deze stoffen tot ontbranding kunnen brengen.
- c) **Wanneer u elektrisch gereedschap gebruikt, houd dan kinderen en omstanders op afstand.** Wanneer u wordt afgeleid, kunt u de controle over het gereedschap verliezen.

2) Elektrische veiligheid

- a) **Stekkers van elektrische gereedschappen moeten probleemloos passen op het stopcontact. Breng nooit wijzigingen aan in of aan de stekker. Gebruik geen adapters voor geaarde elektrische gereedschappen.** Standaardstekkers en passende stopcontacten verkleinen de kans op een elektrische schok.
- b) **Voorom lichamelijk contact met geaarde oppervlakken van bijvoorbeeld pijpen, leidingen, radiatoren, fornuizen en koelkasten.** Wanneer uw lichaam geaard is, wordt de kans op een elektrische schok groter.
- c) **Stel elektrische gereedschappen nooit bloot aan regen of vocht.** Wanneer er water binnendringt in een elektrisch gereedschap, wordt de kans op een elektrische schok groter.
- d) **Gebruik het snoer niet om het elektrisch gereedschap te dragen, te verplaatsen of de stekker uit het stopcontact te trekken. Bescherm het snoer tegen olie, warmte, scherpe randen en bewegende delen.** Beschadigde of vastzittende snoeren vergroten de kans op een elektrische schok.
- e) **Wanneer u elektrische gereedschappen buiten gebruikt, gebruik dan een verlengkabel die geschikt is voor buitengebruik.** Door een kabel te gebruiken die geschikt is voor buitengebruik, wordt de kans op een elektrische schok kleiner.
- f) **Gebruik een aardlekbeveiliging (RCD) als niet te**

voorkomen is dat een power tool moet worden gebruikt in een vochtige omgeving. Gebruik van een RCD vermindert het risico van elektrische schokken.

3) Persoonlijke veiligheid

- a) **Blijf altijd alert, kijk goed wat u doet en gebruik uw gezonde verstand wanneer u een elektrisch gereedschap gebruikt. Gebruik geen elektrische gereedschappen wanneer u moe bent, of drugs, alcohol of medicijnen hebt gebruikt.** Eén moment van onachtzaamheid bij het gebruik van elektrische gereedschappen kan ernstige verwondingen tot gevolg hebben.
- b) **Gebruik persoonlijke beschermingsmiddelen. Draag altijd een veiligheidsbril.** Een gepast gebruik van veiligheidsvoorzieningen, zoals een stof masker, speciale werkschoenen met antislipzolen, een veiligheidshelm en gehoorbescherming verkleinen de kans op persoonlijk letsel.
- c) **Voorom dat het gereedschap per ongeluk wordt gestart. Zorg dat de schakelaar op de UITpositie staat, voordat u de stekker in het stopcontact steekt.** Draag elektrisch gereedschap nooit met uw vinger op de schakelaar en steek ook nooit de stekker van ingeschakelde elektrische gereedschappen in het stopcontact: dit leidt tot ongelukken.
- d) **Verwijder alle instel en andere sleutels uit het elektrisch gereedschap voordat u hem inschakelt.** Instel en andere sleutels aan een ronddraaiend onderdeel van het elektrisch gereedschap kunnen tot verwondingen leiden.
- e) **Zorg dat u nooit uw evenwicht kunt verliezen; houd altijd twee voeten stevig op de vloer.** Hierdoor kunt u het elektrisch gereedschap in onverwachte situaties beter onder controle houden.
- f) **Zorg dat u geschikte kleding draagt. Draag geen loshangende kleding of sieraden. Houd uw haar, kleding en handschoenen uit de buurt van bewegende delen.** Loshangende kleding, sieraden en lang haar kunnen vast komen te zitten in bewegende delen.
- g) **Wanneer er voorzieningen zijn voor de aansluiting van stofafzuiginstallaties, zorg dan dat ze op de juiste wijze worden aangesloten en gebruikt.** Gebruik van deze voorzieningen vermindert de gevaren die door stof worden veroorzaakt.
- h) **Denk niet dat doordat u gereedschap vaak gebruikt, u wel weet hoe het allemaal werkt en**

dat u de veiligheidsbeginselen voor het gebruik van het gereedschap wel kunt negeren. Een onbezonnen actie kan in een fractie van een seconde ernstig letsel tot gevolg hebben.

4) Gebruik en onderhoud van elektrisch gereedschap

- a) **Oefen geen overmatige kracht uit op elektrisch gereedschap. Gebruik het juiste gereedschap voor uw specifieke toepassing.** Met het juiste elektrische gereedschap voert u de taak beter en veiliger uit wanneer dit op de snelheid gebeurt waarvoor het apparaat is ontworpen.
- b) **Gebruik nooit elektrisch gereedschap waarvan de AAN/UITschakelaar niet werkt.** Ieder elektrisch gereedschap dat niet kan worden in en uitgeschakeld met de schakelaar is gevaarlijk en moet worden gerepareerd.
- c) **Trek de stekker uit het stopcontact voordat u wijzigingen aanbrengt aan elektrische gereedschappen, accessoires verwisselt of het elektrisch gereedschap opbergt.** Wanneer u zich aan deze preventieve veiligheidsmaatregelen houdt, beperkt u het risico dat het gereedschap per ongeluk wordt gestart.
- d) **Berg elektrisch gereedschap dat niet in gebruik is op buiten bereik van kinderen en laat personen die niet bekend zijn met het gereedschap of deze instructies het apparaat niet gebruiken.** Elektrisch gereedschap is gevaarlijk in de handen van ongeoeffende gebruikers.
- e) **Zorg voor een goed onderhoud van elektrisch gereedschap. Controleer of bewegende delen op de juiste wijze zijn vastgezet. Controleer ook of er geen onderdelen defect zijn of dat er andere omstandigheden zijn die van invloed kunnen zijn op de werking van het gereedschap. Laat het gereedschap bij beschadigingen repareren vóór gebruik.** Veel ongelukken worden veroorzaakt door slecht onderhoud van het gereedschap.
- f) **Zorg dat snij en zaagwerktuigen scherp en schoon blijven.** Goed onderhouden snij en zaagwerktuigen met scherpe randen zullen minder snel vastlopen en zijn eenvoudiger onder controle te houden.
- g) **Gebruik alle elektrische gereedschappen, accessoires, bitjes etc., zoals aangegeven in deze instructies en op de wijze waarvoor het gereedschap is ontworpen. Houd daarbij rekening met de werkomstandigheden en de uit te voeren taak.** Gebruik van elektrisch

gereedschap voor handelingen die afwijken van de taken waarvoor het apparaat is ontworpen kunnen leiden tot gevaarlijke situaties.

- h) **Houd handgrepen en greepoppervlakken droog, schoon en vrij van olie en vet.** Gladde handgrepen en greepoppervlakken maken veilig werken en controle over het gereedschap in onverwachte situaties onmogelijk.
- #### 5) Gebruik en onderhoud accugereedschap
- a) **Laad alleen op met de lader die door de fabrikant is gespecificeerd.** Een lader die voor een bepaalde accu geschikt is, kan brand veroorzaken wanneer deze met een andere accu wordt gebruikt.
 - b) **Gebruik elektrisch gereedschap alleen met de speciaal hiervoor bedoelde accu's.** Gebruik van andere accu's kan kans op letsel en brand geven.
 - c) **Wanneer de accu niet in gebruik is, houd deze dan uit de buurt van andere metalen voorwerpen zoals paperclips, munten, sleutels, spijkers, schroeven of andere kleine metalen voorwerpen die een verbinding tussen twee polen kunnen maken.** Kortsluiting tussen de accupolen kan brandwonden of brand veroorzaken.
 - d) **Wanneer de accu niet juist wordt gebruikt, kan er vloeistof uit lopen; raak dit niet aan. Wanneer dit per ongeluk wel gebeurt, spoel dan met water. Wanneer de vloeistof in de ogen komt, moet u een arts raadplegen.** De vloeistof uit de accu kan irritaties of brandwonden veroorzaken.
 - e) **Gebruiken niet een accu of gereedschap dat beschadigd is of gemodificeerd.** Beschadigde of gemodificeerde accu's kunnen onvoorspelbaar gedrag vertonen, wat brand, explosie of een risico van letsel met zich meebrengt.
 - f) **Stel een accu over het gereedschap niet bloot aan open vuur of een uitzonderlijk hoge temperatuur.** Blootstelling aan vuur of een temperatuur hoger dan 130 °C, kan een explosie veroorzaken. NB De temperatuur van "130 °C" kan worden vervangen door de temperatuur van "265 °F".
 - g) **Houd u aan alle instructies voor het laden en laad de accu of het gereedschap niet op buiten het temperatuurbereik dat in de instructies wordt aangeduid.** Op een onjuiste wijze laden of laden bij temperaturen buiten het aangeduide bereik kan de accu beschadigen en het risico van brand doen toenemen.

6) Service

- a) **Laat uw gereedschap onderhouden door een gekwalificeerde onderhoudstechnicus die alleen gebruikmaakt van identieke vervangingsonderdelen.** Dit zorgt ervoor dat de veiligheid van de powertool intact blijft.
- b) **Voer nooit servicewerkzaamheden uit aan beschadigde accu's.** Alleen de fabrikant of geautoriseerde service-providers mogen servicewerkzaamheden aan accu's uitvoeren.

AANVULLENDE VEILIGHEIDSWAARSCHUWINGEN VOOR MUURFREES

- **Waarschuwing voor laserstraling.** Laserklasse 2, P max.: <1 mW, λ: 650 nm, EN 60825-1: 2014 Richt de laserstraal niet op personen of dieren en kijk zelf ook niet in de laser, zelfs niet van een afstand. Dit elektrisch gereedschap gebruikt een klasse 2 straling in overeenstemming met de NEN-EN 60825-1. Deze straling kan personen verblinden.
- Bewerk geen materialen die asbest bevatten. Asbest wordt als kankerverwekkend beschouwd.
- Draag een veiligheidsbril, gehoorbescherming en indien nodig andere beschermingsmiddelen, zoals veiligheidshandschoenen, veiligheidsschoenen, etc.
- Verwijder voor gebruik alle spijkers en andere metalen voorwerpen uit de muur.
- Wees bewust van verborgen leidingen en bedrading bij het frezen van sleuven in muren.
- Houd de machine altijd met twee handen vast.
- Gebruik de machine niet zonder de beschermkap.
- Controleer de doorslijpschijven voor ieder gebruik. Gebruik geen doorslijpschijven die verbogen, vervormd of op andere wijze beschadigd zijn.
- Zorg ervoor dat de doorslijpschijven correct zijn gemonteerd.
- Zorg ervoor dat de doorslijpschijven in de juiste richting draaien.
- Gebruik de machine niet met de doorslijpschijven naar boven of zijwaarts gericht.
- Gebruik uitsluitend doorslijpschijven die geschikt zijn voor gebruik met de machine.
- Gebruik uitsluitend doorslijpschijven met de juiste afmetingen.
- Gebruik geen andere accessoires dan doorslijpschijven.
- Gebruik de machine niet wanneer een maximale sleufdiepte nodig is die hoger is dan de maximale sleufdiepte van de doorslijpschijven.

- Zorg ervoor dat uw handen niet in aanraking komen met de draaiende delen.
- Werk altijd in de juiste werkrichting (zie indicatie op de zool).
- Laat na het monteren van de doorslijpschijven de machine onbelast draaien op een veilige plek. Indien de machine sterk vibreert, schakel dan onmiddellijk de machine uit, verwijder de netstekker uit het stopcontact en probeer het probleem te verhelpen.
- Wees erop bedacht dat de doorslijpschijven na het uitschakelen van de machine nog korte tijd blijven doordraaien. Probeer niet zelf de doorslijpschijven tot stilstand te brengen.
- Plaats de machine nooit op een tafel of een werkbank voordat deze is uitgeschakeld.

Terugslag

Terugslag is de op- en achterwaartse beweging die de doorslijpschijven maken wanneer de doorslijpschijven onverwachts met een voorwerp in aanraking komen. Houd de machine tijdens gebruik stevig met beide handen vast. Houd uw aandacht bij de werkzaamheden.

Terugslag wordt meestal veroorzaakt door:

- het met de draaiende doorslijpschijven onbedoeld raken van harde voorwerpen of materialen;
- botte doorslijpschijven;
- verkeerd gemonteerde doorslijpschijven;
- nogmaals door een bestaande snede gaan;
- gebrek aan aandacht bij de werkzaamheden;
- een instabiele werkhouding.

Elektrische veiligheid

Controleer altijd of de spanning van de stroomtoevoer overeenkomt met de spanning op het typeplaatje.

- Gebruik de machine niet indien het netsnoer of de netstekker zijn beschadigd.
- Gebruik uitsluitend verlengkabels die geschikt zijn voor het vermogen van de machine met een minimale dikte van 1.5 mm². Indien u een verlengkabelhaspel gebruikt, rol dan altijd de kabel volledig uit.

2. TECHNISCHE INFORMATIE

Bedoeld gebruik

Uw muurfrees is ontworpen voor het maken van sleuven in metselwerk. De machine is uitsluitend geschikt voor rechtshandig gebruik.

TECHNISCHE SPECIFICATIES

Model Nr.	WC502AC
Netspanning	230V~
Netfrequentie	50Hz
Ingangsspanning	1700W
Toerental onbelast	4000 min ⁻¹
Sleufbreedte	14/19/29mm
Sleufdiepte	5-40mm
Doorslijpschijf Diameter:	150mm
Asgat:	22,2mm
Asdraad	M12
Beschermingsklasse	IP20
Gewicht	5,1kg
Geluidsdruk L _{PA}	85,3 dB(A)
Geluidsvermogen L _{WA}	96,3 dB(A)
Onzekerheid (K)	3 dB(A)
Vibratie (hoofdhandgreep)	7,214 m/s ²
Vibratie (extra handgreep)	5,843 m/s ²
Onzekerheid (K)	1,5 m/s ²



Draag gehoorbescherming.

Trillingsniveau

Het trillingsemissieniveau, dat in deze gebruiksaanwijzing wordt vermeld, is gemeten in overeenstemming met een gestandaardiseerde test volgens EN 60745; deze mag worden gebruikt om twee machines met elkaar te vergelijken en als voorlopige beoordeling van de blootstelling aan trilling bij gebruik van de machine voor de vermelde toepassingen.

- Het gebruik van de machine voor andere toepassingen, of met andere of slecht onderhouden accessoires, kan het blootstellingsniveau aanzienlijk verhogen.
- Wanneer de machine is uitgeschakeld of wanneer deze loopt maar geen werk verricht, kan dit het blootstellingsniveau aanzienlijk reduceren.

Bescherm uzelf tegen de gevolgen van trilling door de machine en de accessoires te onderhouden, uw handen warm te houden en uw werkwijze te organiseren.

BESCHRIJVING

De nummers in de tekst verwijzen naar de diagrammen op pagina 2 -5.

1. Aan/Uit-schakelaar
2. Knop voor vergrendeling in de Uit-stand
3. Vergrendelingsknop voor sleufdiepte
4. Schaalverdeling voor sleufdiepte
5. Asvergrendelingsknop
6. Beschermkap
7. Grondplaat
8. Geleideroller
9. Aansluiting stofafzuiging
10. Hoofdhandgreep
11. Hulphandgreep
12. Inbusschroeven
13. Inbussleutel
14. As
15. Buitenste flens
16. Flenssleutel
17. Zaagschijf
18. Tussenringen
19. Zaagschijf
20. Askraag
21. Binnenste flens
22. Adapter stofafzuiging
23. Laser
24. Aan/uit-schakelaar voor laser
25. Batterijcompartiment

3. ASSEMBLAGE



Schakel voor assemblage altijd de machine uit en verwijder de netstekker uit het stopcontact.

Vervangen van de doorslijpschijven (fig. B - D)

Versleten of beschadigde doorslijpschijven moeten onmiddellijk worden vervangen.



- *Gebruik uitsluitend scherpe en onbeschadigde doorslijpschijven.*
- *Gebruik uitsluitend doorslijpschijven die geschikt zijn voor het te bewerken materiaal.*
- *Gebruik uitsluitend doorslijpschijven met een maximaal toegestane snelheid*

die gelijk is aan of hoger is dan de maximale snelheid van de machine in onbelaste toestand.

- *Gebruik uitsluitend doorslijpschijven die geschikt zijn voor droog frezen.*
 - *Vervang beide doorslijpschijven altijd tegelijkertijd.*
 - *Probeer nooit de beschermkap te verwijderen.*
- Plaats de machine op een stabiel oppervlak.
 - Draai de inbusschroeven (12) los met behulp van de inbussleutel (13).
 - Draai de vergrendelingsknop (3) los en breng de zool (7) naar beneden.
 - Verwijder de beschermkap (6).
 - Houd de asvergrendelingsknop (5) ingedrukt om de as (14) te vergrendelen.
 - Draai de buitenste flens (15) los met behulp van de flenssleutel (16). Draai met de klok mee om los te draaien. Draai om vast te draaien tegen de klok in.
 - Verwijder de oude doorslijpschijf (17), de afstandsringen (18), de oude doorslijpschijf (19), de opnamehuls (20) en de binnenste flens (21).
 - Reinig indien nodig de flenzen (15 & 21).
 - Monteer de binnenste flens (21), de opnamehuls (20), de nieuwe doorslijpschijf (19), de afstandsringen (18) en de nieuwe doorslijpschijf (17).
 - Draai de buitenste flens (15) stevig vast met behulp van de flenssleutel (16).
 - Laat de asvergrendelingsknop (5) los.
 - Monteer de beschermkap (6).
 - Breng de zool (7) omhoog en draai de vergrendelingsknop (3) vast.
 - Draai de inbusschroeven (12) stevig vast met behulp van de inbussleutel (13).

4. BEDIENING

Instellen van de sleufbreedte (fig. B - E)

De sleufbreedte kan worden ingesteld met behulp van de afstandsringen tussen de doorslijpschijven. Het aantal afstandsringen tussen de doorslijpschijven bepaalt de sleufbreedte.



- *Stel de sleufbreedte niet in tijdens gebruik.*
- *Monteer altijd minimaal één afstandsring tussen de doorslijpschijven.*

- Bepaal de sleufbreedte.
- Monteer de afstandsringen (18) in de gewenste volgorde rond de doorslijpschijven (17 & 19). Zie het hoofdstuk "Vervangen van de doorslijpschijven".

Instellen van de sleufdiepte (fig. A & F)

De sleufdiepte is variabel tussen 5 en 40 mm. De sleufdiepte kan worden afgelezen op de schaal (4).



Stel de sleufdiepte niet in tijdens gebruik.

- Draai de vergrendelingsknop (3) een paar slagen los.
- Kantel de zool (7) naar de gewenste positie. Stel een sleufdiepte in die ongeveer 3 mm dieper is dan de gewenste diepte om eventuele oneffenheden in het muuroppervlak te compenseren.
- Draai de vergrendelingsknop (3) vast.

In- en uitschakelen (fig. A)

- Om de machine in te schakelen, houdt u de ontgrendelingsknop (2) ingedrukt en drukt gelijktijdig de aan/uit-schakelaar (1) in.
- Om de machine uit te schakelen, laat u de aan/uit-schakelaar (1) los.

Gebruiken van de laser (fig. A)

- Om de laser (23 in te schakelen, drukt u de aan/uit-schakelaar (24) in.
- Om de laser (23) uit te schakelen, laat u de aan/uit-schakelaar (24) los.

Overbelastingsbeveiliging

De machine is voorzien van een overbelastingsbeveiliging die de machine in geval van overbelasting automatisch uitschakelt.

- Schakel de machine uit.
- Verwijder de machine van het werkstuk.
- Schakel de machine in.
- Laat de machine ongeveer 1 minuut onbelast draaien om de machine te laten afkoelen.

Stofafzuiging (fig. G)

Gebruik de machine uitsluitend wanneer ze is aangesloten op een stofafzuigvoorziening die is goedgekeurd voor steenstof. De stofafzuigvoorziening moet geschikt zijn voor het te bewerken materiaal.

Gebruik een speciale stofafzuigvoorziening bij het werken met giftige materialen of op plaatsen waar giftige stof wordt geproduceerd.



- Gebruik nooit een huishoudstofzuiger. Het gebruik van een huishoudstofzuiger kan eenvoudig schade toebrengen aan uw gezondheid en aan de stofzuiger.
- Gebruik altijd de stofafzuigadapter.
- Zorg ervoor dat de slang van de stofafzuigvoorziening stevig is aangesloten op de stofafzuigadapter.
- Indien de stofafzuigvoorziening uitvalt, stop dan onmiddellijk met werken, schakel de machine uit, verwijder de netstekker uit het stopcontact en probeer het probleem te verhelpen.

- Plaats de stofafzuigadapter (22) in de stofafzuigaansluiting (9).
- Sluit de slang van een stofafzuigvoorziening aan op de stofafzuigadapter (22).

Aanwijzingen voor optimaal gebruik

- Teken lijnen om de richting te bepalen waarin de doorslijpschijven moeten worden geleid.
- Houd de machine met beide handen vast. Houd uw andere hand op de hulphandgreep (11).
- Stel de sleufbreedte in.
- Verricht een van de volgende stappen:
 - Breng de machine omlaag in de muur en stel de sleufdiepte in (aanbevolen). De machine wordt tegen de muur geplaatst en de doorslijpschijven gaan omlaag de muur in. Zodoende wordt de sleufdiepte nauwkeuriger ingesteld.
 - Stel de sleufdiepte in en breng de machine omlaag in de muur.
- Plaats de machine met de geleiderol (8) op de muur. Zorg ervoor dat de doorslijpschijven op een lijn zijn met de getekende lijnen op de muur.
- Stel de sleufdiepte in.
- Schakel de machine in.
- Wacht totdat de machine volledig op snelheid is.
- Beweeg de machine langs de vooraf getekende lijnen van boven naar beneden, waarbij de geleiderol (8) stevig tegen de muur wordt gedrukt (fig.H).
- Oefen niet te veel druk uit op de machine. Laat de machine het werk doen.

- Schakel de machine uit en wacht tot de machine volledig tot stilstand is gekomen voordat u de machine wegzet.

5. ONDERHOUD



Zorg dat de machine niet onder spanning staat wanneer onderhoudswerkzaamheden aan het mechaniek worden uitgevoerd.

Reinig de machinebehuizing regelmatig met een zachte doek, bij voorkeur iedere keer na gebruik. Zorg dat de ventilatiesleuven vrij van stof en vuil zijn. Gebruik bij hardnekkig vuil een zachte doek bevochtigd met zeepwater. Gebruik geen oplosmiddelen als benzine, alcohol, ammonia, etc. Dergelijke stoffen beschadigen de kunststof onderdelen.

Vervangen van de batterijen (fig. I)

De laser maakt gebruik van 2 AAA-batterijen. Indien de laser stopt met werken, moeten de batterijen worden vervangen.

- Verwijder het deksel (26) van het batterijcompartiment (25).
- Verwijder de oude batterijen (227).
- Plaats de nieuwe batterijen (27).
- Monteer het deksel (26) op het batterijcompartiment (25).

MILIEU



Defecte en/of afgedankte elektrische of elektronische gereedschappen dienen ter verwerking te worden aangeboden aan een daarvoor verantwoordelijke instantie.

Uitsluitend voor EG-landen

Werp elektrisch gereedschap niet weg bij het huisvuil. Conform de Europese Richtlijn 2012/19/EG voor Afgedankte Elektrische en Elektronische Apparatuur en de implementatie ervan in nationaal recht moet niet langer te gebruiken elektrisch gereedschap gescheiden worden verzameld en op een milieuvriendelijke wijze worden verwerkt.

GARANTIE

VONROC producten zijn ontworpen volgens de hoogste kwaliteitsstandaarden en gegarandeerd vrij van defecten, zowel materieel als fabrieksfouten, tijdens de wettelijk vastgestelde garantieperiode

vanaf de eerste aankoopdatum. Mocht het product tijdens deze periode gebreken vertonen veroorzaakt door defecte materialen en/of fabrieksfouten, neem dan rechtstreeks contact op met VONROC.

De volgende situaties vallen niet onder de garantie:

- Er zijn reparaties of aanpassingen aan de machine uitgevoerd, of er is een poging daartoe ondernomen, door een nietgeautoriseerd servicecentrum.
- Normale slijtage.
- De machine is misbruikt, verkeerd gebruikt of slecht onderhouden.
- Er zijn niet-originele reserveonderdelen gebruikt

Dit vormt de enige garantie opgesteld door het bedrijf zowel expliciet als impliciet. Er bestaan geen andere garanties expliciet of impliciet welke verder gaan dan deze garantie, inclusief impliciete garanties van verkoopbaarheid en geschiktheid voor bepaalde doeleinden. In geen enkel geval kan VONROC aansprakelijk worden gesteld voor incidentele schade of gevolgschade. Reparaties van dealers zijn gelimiteerd tot de reparatie of vervanging van defecte producten of onderdelen.

Het product en de gebruikershandleiding zijn onderhevig aan wijzigingen. Specificaties kunnen zonder opgave van redenen worden gewijzigd.

1. CONSIGNES DE SÉCURITÉ

En plus des avertissements de sécurité suivants, veuillez également lire les avertissements de sécurité additionnels ainsi que les instructions. Le non-respect des avertissements de sécurité et des instructions peut entraîner une décharge électrique, un incendie et/ou des blessures graves. Veuillez conserver les avertissements de sécurité et les instructions pour consultation ultérieure.

Les symboles suivants sont utilisés dans le manuel d'utilisation ou apposés sur le produit:



Lisez le manuel d'utilisation.



Risque de blessures.



Risque d'électrocution.



Débranchez immédiatement la fiche de la prise secteur si le câble secteur est endommagé ainsi que durant le nettoyage et la maintenance.



*Portez des lunettes de protection.
Portez une protection auditive.*



Portez un masque anti-poussière.



Risque de projection d'objets. Maintenez les passants à l'écart de la zone de travail.



Machine de classe II - Double isolation - Vous n'avez pas besoin de prise avec mise à la terre.



Avertissement de rayonnement laser.



Ne jetez pas le produit dans des conteneurs qui ne sont pas prévus à cet effet.



Le produit est conforme aux normes de sécurité en vigueur spécifiées dans les directives européennes.

CONSIGNES GÉNÉRALES DE SÉCURITÉ



AVERTISSEMENT! Veuillez lire l'intégralité des avertissements de sécurité et des instructions. Le nonrespect de toutes les instructions indiquées cidessous peut entraîner un risque de choc électrique, d'incendie et/ou de blessures graves.

Conservez ces instructions.

Le terme "appareil électrique" mentionné dans tous les avertissements cidessous se rapporte à un appareil électrique qui se branche au réseau électrique (grâce à un câble d'alimentation) ou à un appareil électrique (sans fil) fonctionnant grâce à une batterie.

1) espace de travail

- a) **Veillez toujours à garder votre espace de travail propre et bien éclairé.** Les espaces mal rangés et sombres peuvent être la cause d'accidents.
- b) **N'utilisez pas les appareils électriques dans des environnements susceptibles d'explosion, par exemple en présence de liquides inflammables, de gaz ou de particules.** Les appareils électriques provoquent des étincelles qui peuvent enflammer les particules des émanations.
- c) **Veillez à garder éloignés les enfants et les personnes se trouvant dans votre voisinage, lors de l'utilisation d'un appareil électrique.** Les distractions peuvent vous faire perdre le contrôle de l'appareil.

2) mesures de sécurité électriques

- a) **Les prises des appareils électriques doivent être raccordées à la prise murale correspondante. Ne modifiez jamais la prise de l'appareil, de quelque façon que ce soit. N'utilisez pas d'adaptateurs qui mettent les appareils électriques à la terre (mise à la masse).** Des prises non modifiées et branchées à la prise murale correspondante réduiront les risques de choc électrique.
- b) **Évitez le contact direct avec les surfaces mises à la terre ou mises à la masse comme les canalisations, les radiateurs, les cuisinières et les réfrigérateurs.** En effet, le risque de choc électrique s'accroit si votre corps est mis à la terre ou à la masse.
- c) **N'utilisez pas d'outils électriques dans des environnements pluvieux ou humides.** Si de l'eau s'introduit dans un appareil électrique, le risque de choc électrique augmentera.

- d) **N'utilisez pas le câble de manière abusive. N'utilisez jamais le câble pour transporter, tirer ou débrancher l'appareil électrique. Veillez à garder le câble éloigné des sources de chaleur, des huiles, des rebords coupants ou des pièces actionnées.** Les câbles endommagés ou entremêlés augmentent le risque de choc électrique.
- e) **Lorsque un appareil est utilisé à l'extérieur, utilisez uniquement un câble prolongateur prévu à cet effet.** L'utilisation d'un câble à usage extérieur réduit le risque de choc électrique.
- f) **Si vous êtes contraint d'utiliser un outil électrique dans un environnement humide, utilisez une alimentation protégée par un dispositif à courant résiduel (RCD).** L'utilisation d'un RCD réduit le risque de décharge électrique.

3) Sécurité personnelle

- a) **Restez vigilant, gardez un œil sur ce que vous faites et utilisez votre sens commun lors de l'utilisation d'un appareil électrique. N'utilisez pas un appareil électrique si vous êtes fatigué ou si vous êtes sous l'influence de drogues, d'alcool ou si vous prenez des médicaments.** Un moment d'inattention lors de l'utilisation des appareils électriques peut entraîner des blessures graves.
- b) **Utilisez un équipement de protection personnelle. Protégez-vous toujours les yeux.** Les équipements de protection, tels qu'un masque à poussière, des chaussures antidérapantes, des protections auditives ou un casque de sécurité, utilisés dans de bonnes conditions, réduiront le risque de blessures.
- c) **Prévenez tout démarrage involontaire. Assurez-vous que l'interrupteur est sur la position "arrêt avant de brancher l'appareil.** En effet, le transport des appareils électriques en gardant vos doigts sur l'interrupteur, ou le branchement de ces appareils en ayant l'interrupteur sur "marche accidents.
- d) **Retirez les clés de réglage ou les clés de vis de réglage avant d'allumer l'appareil électrique.** Une clé de vis de réglage ou une clé, laissée sur une pièce en mouvement de l'appareil électrique, peut entraîner des lésions corporelles.
- e) **Ne pas se précipiter. Gardez toujours vos pieds à plat et gardez votre équilibre.** Ceci permet de mieux contrôler l'appareil électrique dans des situations imprévues.
- f) **Habilitez-vous convenablement. Ne portez pas**

- de vêtements lâches ou de bijoux. Gardez vos cheveux, vêtements et gants éloignés des pièces actionnées.** En effet, ces derniers peuvent être pris dans les pièces en action.
- g) **Si les appareils sont fournis pour la connexion des équipements d'évacuation et de récupération de la poussière, assurez-vous que ces derniers soient correctement connectés et utilisés.** L'utilisation de ces appareils peut réduire les risques liés à la poussière.
- h) **Ne pensez pas être familiarisé avec l'outil après l'avoir utilisé à de nombreuses reprises, au point de ne plus rester vigilant et d'en oublier les consignes de sécurité.** Toute action imprudente peut engendrer de graves blessures en une fraction de seconde.
- 4) Utilisation et entretien d'un appareil électrique**
- a) **Ne forcez pas l'appareil électrique. Utilisez l'appareil électrique adéquat pour votre application.** Un appareil électrique correctement choisi assurera un meilleur travail et un travail sans danger, au rythme auquel il a été conçu.
- b) **N'utilisez pas l'appareil électrique si l'interrupteur marche/arrêt ne fonctionne pas.** Un appareil électrique qui ne peut pas être commandé par l'interrupteur de contrôle est dangereux et doit être réparé.
- c) **Débranchez la prise du bloc d'alimentation avant d'effectuer des réglages, de changer des accessoires, ou de ranger les appareils électriques.** Ces mesures de sécurité préventives réduiront le risque de démarrage involontaire de l'appareil électrique.
- d) **Rangez les appareils électriques arrêtés hors de la portée des enfants et ne laissez aucune personne, non familiarisée avec l'outil ou ces instructions, utiliser l'appareil électrique.** Les appareils électriques sont dangereux entre les mains d'utilisateurs non formés.
- e) **Entretenez les appareils électriques. Vérifiez tout défaut d'alignement et l'enchaînement des pièces actionnées, la rupture de ces dernières, et les autres conditions qui peuvent affecter le fonctionnement des appareils électriques. En cas de dommages, faites réparer l'appareil électrique avant de le réutiliser.** Nombreux sont les accidents provoqués par des appareils électriques mal entretenus.
- f) **Veillez à garder les outils coupants aiguisés et propres.** Des outils coupants correctement entretenus avec des lames aiguisées sont moins susceptibles de se bloquer et sont plus faciles à contrôler.
- g) **Utilisez l'appareil électrique, les accessoires et les embouts, etc., conformément à ces instructions et de la manière prévue pour le type spécifique de l'appareil électrique, en prenant en compte les conditions de travail et le travail à effectuer.** L'utilisation de l'appareil électrique dans des applications différentes de celles prévues peut entraîner des situations dangereuses.
- h) **Gardez les poignées et les surfaces de préhension sèches, propres et exemptes d'huile et de graisse.** Des poignées et des surfaces de préhension glissantes ne permettent pas de manipuler et de contrôler l'outil correctement en cas de situations inattendues.
- h) **Gardez les poignées et les surfaces de préhension sèches, propres et exemptes d'huile et de graisse.** Des poignées et des surfaces de préhension glissantes ne permettent pas de manipuler et de contrôler l'outil correctement en cas de situations inattendues.
- 5) Utiliser et soigner les outils à batterie**
- a) **Rechargez la batterie uniquement avec le chargeur spécifié par le fabricant.** Un chargeur adapté à une certaine batterie peut être cause de danger d'incendie quand on l'utilise avec une batterie différente.
- b) **Utilisez chaque outil uniquement avec la batterie conçue pour lui.** L'utilisation de toute autre batterie peut être cause de danger de blessure ou d'incendie.
- c) **Lorsque une batterie n'est pas en usage, gardez-la hors d'atteinte d'objets métalliques tels que les trombones, pièces de monnaie, clés, clous, vis et autres petits objets métalliques pouvant faire le contact entre une borne et l'autre.** Un court-circuit entre les bornes de la batterie peut être cause de brûlures ou d'incendie.
- d) **Dans des circonstances extrêmes, du liquide peut gicler hors de la batterie ; évitez tout contact. En cas de contact accidentel, rincez à l'eau. En cas de contact du liquide avec les yeux, consultez un médecin.** Le liquide qui gicle d'une batterie peut causer irritations ou brûlures.
- e) **N'utilisez pas un bloc-batterie ou un outil endommagé ou modifié.** Une batterie endommagée ou altérée peut avoir un comportement imprévisible qui peut conduire à un

incendie, une explosion ou un risque de blessure.

- f) **N'exposez pas le bloc-batterie ou l'outil au feu ou à des températures excessives.** L'exposition au feu ou à des températures dépassant 130 °C peut provoquer une explosion. REMARQUE La température de "130°C" peut être remplacé par la température de "265°F".
- g) **Respectez les instructions pour la charge et ne rechargez pas le bloc-batterie ou l'outil à une plage de températures hors de celle spécifiée dans les instructions.** Une charge mal effectuée ou à des températures hors de la plage spécifiée peut endommager la batterie et augmente le risque d'incendie.

6) Maintenance

- a) **L'entretien de votre outil électrique doit être confié à un réparateur qualifié qui utilise uniquement des pièces de rechange identiques aux pièces d'origine.** Cela permet d'assurer la sécurité de l'outil électrique.
- b) **Ne réparez jamais des blocs-batteries endommagés.** Les réparations sur les blocs-batteries ne doivent être effectuées que par le fabricant ou l'un de ses prestataires de services agréés.

AVERTISSEMENTS DE SÉCURITÉ ADDITIONNELS POUR LE FRAISEUSE MURALE

- **Avertissement de rayonnement laser.** Classe de laser 2, P max.: <1 mW, λ: 650 nm, EN 60825-1: 2014 Ne pas diriger le faisceau laser vers les personnes ou les animaux et ne pas regarder directement le faisceau laser, même de loin. Cet outil électrique génère une radiation laser de classe 2 selon EN 60825-1. Il est capable de provoquer la cécité.
- Ne travaillez pas sur des matériaux contenant de l'amiante. L'amiante est considéré comme carcinogène.
- Portez des lunettes de sécurité, une protection auditive et, si nécessaire, d'autres moyens de protection personnelle comme des gants de sécurité, des chaussures de sécurité, etc.
- Avant toute utilisation, retirez tous les clous et autres objets métalliques du mur.
- Faites attention aux tuyaux et aux câblages cachés lorsque vous pratiquez des saignées dans les murs.
- Maintenez toujours la machine à deux mains.
- N'utilisez pas la machine sans le carter

de protection.

- Vérifiez l'état des disques de coupe avant chaque utilisation. N'utilisez pas de disques de coupe courbés, fissurés ou autrement endommagés.
- Assurez-vous que les disques de coupe sont correctement montés.
- Assurez-vous que les disques de coupe tournent dans le sens correct.
- N'utilisez pas la machine avec les disques de coupe dirigés vers le haut ou latéralement.
- Utilisez uniquement des disques de coupe adaptés à cette machine.
- Utilisez uniquement des disques de coupe aux dimensions correctes.
- N'utilisez pas d'autre accessoire que les disques de coupe.
- N'utilisez pas la machine si la profondeur de saignée maximum nécessaire dépasse celle des disques de coupe.
- Assurez-vous de maintenir vos mains hors de portée des pièces rotatives.
- Travaillez toujours dans le sens de travail correct (voir indication sur la base).
- Une fois les disques de coupe en place, laissez la machine tourner sans charge dans une zone sécurisée. En cas de fortes vibrations de la machine, mettez-la immédiatement hors tension, débranchez la fiche de la prise secteur et essayez de résoudre le problème.
- Attention: après avoir mis la machine hors tension, les disques de coupe continuent de tourner pendant une période brève. N'essayez jamais d'immobiliser vous-même les disques de coupe.
- Ne posez jamais la machine sur une table ou un établi sans l'avoir mise hors tension.

Recul

Le recul correspond au mouvement vers le haut et l'arrière des disques de coupe lorsqu'ils touchent inopinément un objet. Tenez fermement la machine des deux mains pendant l'utilisation. Restez concentré sur le travail effectué.

Le recul est habituellement provoqué par:

- un contact inattendu avec des objets ou des matériaux durs alors que les disques de coupe tournent;
- des disques de coupe émoussés;
- un montage incorrect des disques de coupe;
- la découpe dans une trace de coupe existante;

- un défaut d'attention lors du travail;
- une position instable.

Sécurité électrique



Vérifiez si la tension d'alimentation électrique correspond bien à celle de la plaque signalétique.

- N'utilisez pas la machine si le câble secteur ou la fiche secteur est endommagé.
- Utilisez uniquement des rallonges adaptées à la puissance nominale de la machine et d'une section minimum de 1.5 mm². Si vous utilisez une bobine de rallonge, déroulez toujours complètement le câble.

2. INFORMATIONS RELATIVES À LA MACHINE

Utilisation prévue

Votre rainureuse a été conçue pour pratiquer des saignées dans la maçonnerie. La machine est uniquement adaptée à un usage par des droitiers.

SPÉCIFICATIONS TECHNIQUES

N° de modèle	WC502AC
Tension secteur	230V~
Fréquence secteur	50Hz
Puissance	1700W
Vitesse à vide	4000 min ⁻¹
Largeur de saignée	14/19/29mm
Profondeur de saignée	5-40mm
Disque de coupe	
Diamètre:	150mm
Trou d'axe:	22,2mm
Filetage d'axe	M12
Classe de protection	IP20
Poids	5,1kg
Pression acoustique L _{PA}	85,3 dB(A)
Puissance acoustique L _{WA}	96,3 dB(A)
Incertitude (K)	3 dB(A)
Vibration (poignée principale)	7,214 m/s ²
Vibration (poignée auxiliaire)	5,843 m/s ²
Incertitude (K)	1,5 m/s ²



Portez une protection auditive.

Niveau de vibrations

Le niveau des vibrations émises, indiqué dans ce manuel, a été mesuré conformément à la procédure décrite par la norme EN60745. Il peut être utilisé pour comparer deux outils ou pour réaliser une estimation préalable de l'exposition aux vibrations lors de l'utilisation de l'outil pour les applications mentionnées.

- L'utilisation de l'outil dans d'autres applications ou avec des accessoires différents ou mal entretenus peut considérablement augmenter le niveau d'exposition.
- La mise hors tension de l'outil et sa non-utilisation pendant qu'il est allumé peuvent considérablement réduire le niveau d'exposition.

Protégez-vous contre les effets des vibrations par un entretien correct de l'outil et de ses accessoires, en vous échauffant les mains et en organisant vos rythmes de travail.

DESCRIPTION

Les numéros dans le texte se rapportent aux schémas des pages 2 - 5.

1. Interrupteur Marche/Arrêt
2. Bouton de verrouillage
3. Bouton de verrouillage pour la profondeur du rainurage
4. Graduation pour la profondeur du rainurage
5. Bouton de verrouillage de l'axe
6. Carter de lame
7. Semelle
8. Rouleau de guidage
9. Raccord pour extraction des poussières
10. Poignée principale
11. Poignée auxiliaire
12. Vis Allen
13. Clé Allen
14. Axe
15. Bride extérieure
16. Clé pour bride
17. Disque à tronçonner
18. Entretoises
19. Disque à tronçonner
20. Douille de l'axe
21. Bride intérieure
22. Adaptateur pour extraction des poussières

- 23. Laser
- 24. Interrupteur marche/arrêt (laser)
- 25. Logement de pile

3. MONTAGE



Avant le montage, mettez toujours la machine hors tension et débranchez la fiche de la prise secteur.

Remplacement des disques de coupe (fig. B - D)

Des disques de coupe usés ou endommagés doivent être immédiatement remplacés.



- Utilisez uniquement des disques de coupe tranchants et en bon état.
- Utilisez uniquement des disques de coupe adaptés au matériau à ouvrir.
- Utilisez uniquement des disques de coupe dont la vitesse maximum autorisée est égale ou supérieure à celle de la machine à vide.
- Utilisez uniquement des disques de coupe à diamant adaptés à la coupe à sec.
- Remplacez toujours les deux disques de coupe en même temps.
- N'essayez jamais d'enlever le carter de protection.

- Placez la machine sur une surface stable.
- Desserrez les vis Allen (12) avec la clé Allen (13).
- Desserrez le bouton de blocage (3) et abaissez la base (7).
- Enlevez le carter de protection (6).
- Maintenez le bouton de blocage de l'axe (5) enfoncé pour bloquer l'axe (14).
- Desserrez la bride extérieure (15) avec la clé à bride (16). Pour desserrer, tournez dans le sens des aiguilles d'une montre. Pour serrer, tournez dans le sens anti-horaire.
- Retirez l'ancien disque de coupe (17), les pièces d'écartement (18), le second ancien disque de coupe (19), la bague d'axe (20) et la bride intérieure (21).
- Si nécessaire, nettoyez les brides (15 & 21).
- Montez la bride intérieure (21), la bague d'axe (20), le nouveau disque de coupe (19), les pièces d'écartement (18) et le second nouveau disque de coupe (17).
- Serrez fermement la bride extérieure (15) avec la clé à bride (16). Pour desserrer, tournez dans

le sens des aiguilles d'une montre. Pour serrer, tournez dans le sens anti-horaire.

- Relâchez le bouton de blocage de l'axe (5).
- Montez le carter de protection (6).
- Levez la base (7) et serrez le bouton de blocage (3).
- Serrez fermement les vis Allen (12) avec la clé Allen (13).

4. FONCTIONNEMENT

Réglage de la largeur de saignée (fig. B - E)

La largeur de saignée est réglable avec les pièces d'écartement entre les disques de coupe. Le nombre de pièces d'écartement entre les disques de coupe détermine la largeur de saignée.



- Ne réglez pas la largeur de saignée pendant l'utilisation.
- Montez toujours au moins une pièce d'écartement entre les disques de coupe.

- Déterminez la largeur de saignée.
- Montez les pièces d'écartement (18) autour des disques de coupe (17 & 19) dans l'ordre requis. Voir le chapitre "Remplacement des disques de coupe".

Réglage de la profondeur de saignée (fig. A & F)

La profondeur de saignée varie entre 5 et 40 mm. Vous pouvez contrôler la profondeur de saignée sur l'échelle (4).



- Ne réglez pas la profondeur de saignée pendant l'utilisation.

- Desserrez le bouton de blocage (3).
- Inclinez la base (7) sur la position désirée. Réglez une profondeur de saignée plus profonde d'environ 3 mm que la profondeur requise afin de compenser les possibles irrégularités de la surface du mur.
- Serrez le bouton de blocage (3).

Mise en marche et arrêt (fig. A)

- Pour mettre la machine en marche, enfoncez le bouton de déblocage (2) sans le relâcher tout en appuyant sur l'interrupteur marche/arrêt (1).
- Pour arrêter la machine, relâchez l'interrupteur marche/arrêt (1).

Utilisation du laser (fig. A)

- Pour mettre le laser (23) en marche, appuyez sur l'interrupteur marche/arrêt (24).
- Pour arrêter le laser (23), relâchez l'interrupteur marche/arrêt (24).

Protection contre les surcharges

La machine comporte un dispositif de protection contre les surcharges qui l'éteint automatiquement en cas de surcharge.

- Arrêtez la machine.
- Retirez la machine de la pièce à ouvrir.
- Mettez la machine en marche.
- Faites fonctionner la machine sans charge pendant environ 1 minute pour la faire refroidir.

Aspiration de la poussière (fig. G)

Utilisez la machine uniquement si elle est raccordée à un aspirateur compatible avec la poussière de pierre. L'aspirateur doit être adapté au matériau ouvré. Utilisez un aspirateur spécial pour travailler sur des matériaux toxiques ou générant une poussière toxique.



- *N'utilisez jamais un aspirateur domestique. L'emploi d'un aspirateur domestique peut non seulement facilement endommager l'aspirateur mais également affecter votre santé.*
- *Utilisez toujours un adaptateur d'extraction de poussière.*
- *Assurez-vous que le flexible de l'aspirateur est fermement connecté à l'adaptateur d'extraction de poussière.*
- *Si l'aspirateur est endommagé, cessez immédiatement de travailler, mettez la machine hors tension, débranchez la fiche de la prise secteur et essayez de résoudre le problème.*

- Insérez l'adaptateur d'extraction de poussière (22) dans le raccord d'extraction de poussière (9).
- Connectez le flexible d'un aspirateur dans l'adaptateur d'extraction de poussière (22).

Conseils pour une utilisation optimale

- Tirez des lignes définissant la direction de guidage des disques de coupe.
- Maintenez la machine à deux mains. Gardez votre seconde main sur la poignée auxiliaire (11).
- Réglez la largeur de saignée.

- Effectuez l'une des opérations suivantes:
 - Abaissez la machine sur le mur et réglez la profondeur de saignée (recommandé). La machine est placée contre le mur et les disques de coupe plus bas sur le mur afin de régler avec davantage de précision la profondeur de saignée.
 - Réglez la profondeur de saignée et abaissez la machine sur le mur.
- Placez la machine avec les galets de guidage (8) sur le mur. Assurez-vous d'aligner les disques de coupe avec les lignes tracées au mur.
- Réglez la profondeur de saignée.
- Mettez la machine en marche.
- Attendez que la machine atteigne son régime maximum.
- Déplacez lentement la machine le long des lignes tracées en appuyant fermement le galet de guidage (8) contre le mur (fig.H).
- N'exercez pas de pression excessive sur la machine. Laissez la machine faire le travail.
- Éteignez la machine et attendez son immobilisation totale avant de la reposer.

5. ENTRETIEN

Si vous voulez procéder à des travaux d'entretien sur le mécanisme, mettez la machine hors secteur.

Nettoyez le corps de la machine régulièrement au moyen d'un chiffon doux, de préférence après chaque utilisation. Vérifiez que les ouvertures d'aération ne sont pas obstruées ni sales. Utilisez un chiffon doux légèrement humidifié avec de la mousse de savon pour nettoyer les taches persistantes. N'utilisez pas de produits de nettoyage tels que l'essence, l'alcool, l'ammoniac, etc.; ces produits peuvent endommager les parties synthétiques.

Remplacement des piles (fig. I)

Le laser utilise 2 piles AAA. Si le laser ne fonctionne plus, les piles doivent être remplacées.

- Retirez le couvercle (26) du logement des piles (25).
- Enlevez les piles usagées (27).
- Installez les piles neuves (27).
- Montez le couvercle (26) du logement des piles (25).

ENVIRONNEMENT



Les équipements électroniques ou électriques défectueux ou destinés à être mis au rebut doivent être déposés aux points de recyclage appropriés.

Uniquement pour les pays de l'UE

Ne jetez pas les outils électriques avec les déchets domestiques. Selon la Directive européenne 2012/19/CE relative aux déchets d'équipements électriques et électroniques et sa mise en œuvre dans le droit national, les outils électriques hors d'usage doivent être collectés séparément et mis au rebut de manière écologique.

GARANTIE

Les produits VONROC sont développés aux plus hauts standards de qualité et ils sont garantis contre les défauts de pièces et de main d'œuvre pendant la durée légale stipulée à partir de la date d'achat d'origine du produit. En cas d'une quelconque panne du produit pendant cette durée qui serait due à un défaut matériel et/ou de main d'œuvre, contactez directement VONROC.

Les circonstances suivantes ne sont pas prises en charge par la garantie:

- Des réparations ou altérations ont été effectuées ou tentées sur la machine par un centre de réparation non agréé.
- L'usure normale.
- L'outil a été maltraité, mal utilisé ou mal entretenu.
- Des pièces détachées non d'origine ont été utilisées

Ceci constitue l'unique garantie accordée par la société explicitement ou implicitement. Il n'existe aucune autre garantie, explicite ou implicite, qui peut s'étendre au delà du contenu ici présent, y compris les garanties marchandes ou d'adaptation à des fins particulières. En aucun cas VONROC ne sera tenu responsable de dommages accidentels ou consécutifs. Les solutions proposées par les revendeurs devront se limiter à la réparation ou le remplacement des éléments ou pièces non conformes.

Le produit et le manuel d'utilisation sont sujets à modifications. Les spécifications peuvent changer sans préavis.

1. INSTRUCCIONES DE SEGURIDAD ADVERTENCIA

Lea las advertencias de seguridad, las advertencias de seguridad adicionales y las instrucciones adjuntas. De no respetarse las advertencias de seguridad y las instrucciones, podrían producirse descargas eléctricas, incendios y/o lesiones graves. Conserve las advertencias de seguridad y las instrucciones para su posterior consulta.

Los siguientes símbolos se utilizan en el manual de usuario o en el producto:



Lea el manual de usuario.



Riesgo de lesiones personales.



Riesgo de descarga eléctrica.



Saque inmediatamente el enchufe de la toma si el cable eléctrico resulta dañado y durante la limpieza y el mantenimiento.



*Lleve gafas de seguridad.
Lleve protección auditiva.*



Lleve una máscara antipolvo.



Riesgo de objetos volantes. Mantenga a los transeúntes alejados de la zona de trabajo.



Doble aislamiento.



Advertencia de radiación láser.



No deseche el producto en contenedores no adecuados.



El producto es conforme con las normas de seguridad vigentes en las Directivas Europeas.

INSTRUCCIONES GENERALES DE SEGURIDAD



PRECAUCIÓN! *Lea todas las advertencias de seguridad y todas las instrucciones. Si no lo hace, el uso indebido puede acarrear cortocircuitos, fuego o lesiones graves.*

Conserve estas instrucciones.

El término “herramienta eléctrica”, en todas las advertencias enumeradas a continuación se refiere a su herramienta eléctrica (i nalámbrica) que funciona con una batería o a través de la red eléctrica.

1) Área de trabajo

- a) **Trabaje en un lugar limpio y bien iluminado.** Lugares no iluminados o sucios propician accidentes.
- b) **No use herramientas eléctricas donde haya riesgo de fuego o explosión, p.ej: cerca de líquidos o gases inflamables, polvo etc.** Las herramientas eléctricas producen chispas que pueden producir la ignición de partículas de humo.
- c) **Mantenga a los niños y otras personas alejados mientras utiliza la herramienta eléctrica.** Las distracciones pueden hacer que pierda el control de la herramienta.

2) Seguridad eléctrica

- a) **Cerciórese de que las clavijas de la herramienta eléctrica están correctamente enchufadas. Nunca modifique la clavija. No utilice ningún adaptador para la clavija de una herramienta eléctrica con conexión a tierra.** Las clavijas que no se hayan cambiado y los enchufes adecuados reducen el riesgo de cortocircuitos.
- b) **Evite el contacto humano con superficies con conexiones a tierra como tubos metálicos, conductos, tubos de la calefacción, radiadores y refrigeradores.** El riesgo de cortocircuitos es mayor cuando el cuerpo está en contacto con el suelo.
- c) **No use herramientas eléctricas bajo la lluvia o en entornos húmedos.** Si entra agua en una herramienta eléctrica aumenta el riesgo de cortocircuito.
- d) **No utilice el cable para todo. Nunca utilice el cable para mover la máquina, empujarla o sacar la clavija del enchufe. Mantenga el cable alejado del calor, aceite, zonas cortantes o piezas en movimiento.** Los cables dañados o enredados aumentan el riesgo de cortocircuito.
- e) **Use un cable alargador impermeable adecuado para exteriores cuando trabaje con la herramienta eléctrica al aire libre.**
El riesgo de cortocircuito es menor si utiliza un cable alargador adecuado para exteriores.
- f) **Si no se puede evitar el uso de la herramienta eléctrica en un lugar húmedo, use suministro protegido mediante dispositivo diferencial residual (DDR).** El uso de un DDR reduce el riesgo de

choque eléctrico.

- h) **No permita que la familiaridad adquirida con el uso frecuente de las herramientas le haga confiarse e ignorar los principios de seguridad de las herramientas.** Una acción descuidada puede causar lesiones graves en una fracción de segundo.
- 3) Seguridad personal**
- a) **No se descuide, preste atención a lo que está haciendo y utilice el sentido común mientras trabaje con esta herramienta. No use herramientas eléctricas cuando esté cansado o esté bajo los efectos del alcohol, las drogas o los medicamentos.** Un momento de distracción, mientras utilice la herramienta eléctrica, puede provocar lesiones personales graves.
 - b) **Use equipo de protección individual. Use siempre gafas protectoras.** El uso en condiciones apropiadas del equipo de seguridad como por ejemplo: mascarilla antipolvo, zapatos antideslizantes de seguridad, casco o protección para los oídos, disminuye el riesgo de sufrir lesiones personales.
 - c) **Evite arranques involuntarios. Asegúrese de que el interruptor está en la posición de apagado antes de conectarlo a la fuente de electricidad.** Transportar herramientas eléctricas con el dedo puesto sobre el interruptor o enchufarlas con el interruptor encendido puede causar accidentes.
 - d) **Quite cualquier llave de ajuste antes de encender la herramienta eléctrica.** Una llave olvidada junto a una pieza móvil de la herramienta eléctrica puede provocar lesiones personales graves.
 - e) **No se estire demasiado. Mantenga siempre el equilibrio y tenga los pies en el suelo.** Esto permite un mayor control de la herramienta eléctrica en situaciones inesperadas.
 - f) **Vístase apropiadamente. No lleve prendas holgadas o joyas. Mantenga su pelo, ropa y guantes alejados de las piezas móviles.** Las prendas holgadas, las joyas y el pelo largo pueden quedar atrapados en las piezas móviles.
 - g) **Si se han suministrado dispositivos para la extracción y recogida de polvo asegúrese de que estos estén conectados y se utilicen correctamente.** El uso de estos dispositivos puede reducir los riesgos relacionados con el polvo.
 - h) **Mantenga las asas y las superficies de agarre secas, limpias y libres de aceite y grasa.** Las asas y las superficies de agarre resbaladizas no permiten un manejo y control seguros de la herramienta en situaciones inesperadas.

4) Utilización y cuidados de la herramienta eléctrica

- a) **No fuerce la herramienta eléctrica. Utilice la herramienta eléctrica adecuada para el trabajo que vaya a realizar.** Una herramienta eléctrica apropiada realizará un trabajo mejor y más seguro si se utiliza para el objetivo con el que ha sido diseñada.
- b) **No use herramientas que no pueden encenderse o apagarse con el interruptor.** Las herramientas que ya no se puedan encender y apagar son peligrosas y deben repararse.
- c) **Desenchufe la clavija de la toma de electricidad antes de realizar modificaciones, cambiar accesorios o guardar las herramientas eléctricas.** Tales medidas de seguridad preventivas reducen el riesgo de la puesta en marcha accidental.
- d) **Mantenga a los niños alejados de una herramienta eléctrica sin utilizar y no permita a personas que no estén familiarizadas con la máquina o estas instrucciones utilizar la herramienta.** La herramienta eléctrica puede ser peligrosa cuando la utilicen personas sin experiencia.
- e) **Conserve sus herramientas cuidadosamente. Verifique cualquier desalineación o agarrotamiento de piezas móviles, piezas dañadas y cualquier otra causa, que pudiera repercutir en el buen funcionamiento de la herramienta eléctrica. Si la herramienta está estropeada, repárela antes de utilizarla.** Muchos de los accidentes están causados por un mantenimiento insuficiente del equipo eléctrico.
- f) **Mantenga las herramientas de corte limpias y afiladas.** Sierras con esquinas cortantes con un buen mantenimiento se bloquean menos y son más fáciles de controlar.
- g) **Utilice la herramienta eléctrica, accesorios y brocas etc. Siguiendo las instrucciones atendiendo al tipo de herramienta eléctrica y tenga en cuenta las condiciones de trabajo y el tipo de trabajo que se va a realizar.** Puede ser peligroso realizar trabajos con la herramienta diferentes de aquellos para los que está diseñada.

5) Uso y cuidado de las herramientas alimentadas por batería

- a) **Recargue las baterías únicamente con el cargador recomendado por el fabricante.** Un cargador que es apto para un tipo de baterías determinado puede provocar riesgo de incendio si se usa para cargar otra clase de baterías.
- b) **Use las herramientas eléctricas sólo con las**

baterías indicadas específicamente. El uso de otra clase de baterías diferente puede ocasionar el riesgo de derivar en lesiones o un incendio.

- c) **Cuando el paquete de baterías no esté en uso, consérvelo retirado de objetos metálicos como sujetapapeles, monedas, llaves, clavos, tornillos o cualquier otro objeto metálico pequeño que pueda hacer puente entre las terminales.** El contacto entre las terminales de la batería puede causar quemaduras o incendio.
- d) **Bajo condiciones extremas de abuso la batería podría expulsar un líquido; evite todo contacto. Si se produjese contacto accidentalmente, lávese bien con agua. Si el líquido hace contacto con los ojos, consulte también al médico.** El líquido emanado de la batería puede causar irritaciones o quemaduras.
- e) **No utilice una batería o una herramienta que esté dañada o modificada.** Las baterías dañadas o modificadas pueden presentar un comportamiento impredecible y provocar un incendio, una explosión o riesgo de lesiones.
- f) **No exponga una batería o una herramienta al fuego o a temperatura excesiva.** La exposición al fuego o a temperaturas superiores a 130 °C puede provocar una explosión. NOTA La temperatura "130 °C" puede sustituirse por la temperatura "265 °F".
- g) **Siga todas las instrucciones de carga y no cargue la batería o la herramienta fuera del rango de temperatura especificado en las instrucciones.** La carga incorrecta o a temperaturas fuera del rango especificado puede causar daños a la batería y aumentar el riesgo de incendio.

6) Servicio

- a) **Haga reparar su herramienta eléctrica por una persona cualificada, usando solo piezas de repuesto idénticas.** Esto garantiza que se mantenga la seguridad de la herramienta eléctrica.
- b) **Nunca repare las baterías dañadas.** El mantenimiento de las baterías debe ser realizado solo por el fabricante o los proveedores de servicio autorizados.

ADVERTENCIAS DE SEGURIDAD ADICIONALES PARA RANURADORAS DE PAREDES.

- **Advertencia de radiación láser.** Clase de láser 2, P máx.: <1 mW, λ: 650 nm, EN 60825-1:2014. No mire directamente al haz del láser ni a la abertura de la que sale. No dirija nunca

el haz del láser hacia personas, animales o superficies reflectantes. Incluso un contacto visual breve puede causar daños a la vista. Examinar la abertura de salida del láser utilizando instrumentos ópticos (por ejemplo, lupas, vidrios de aumento y otros dispositivos similares) conlleva el riesgo de daño ocular. Cuando trabaje con un láser de clase 2, observe las normas nacionales sobre el uso de protección ocular.

- No trabaje con materiales que contengan amianto. El amianto se considera cancerígeno.
- Utilice gafas de seguridad, protección auditiva y, si es necesario, otros medios de protección tales como guantes, calzado de seguridad, etc.
- Antes del uso, quite todos los clavos y otros objetos metálicos de la pared.
- Cuando corte ranuras en las paredes, tenga en cuenta las tuberías y cables ocultos.
- Sujete la máquina siempre con ambas manos.
- No utilice la máquina sin la protección.
- Inspeccione los discos de corte antes de cada uso. No utilice discos de corte curvados, agrietados ni dañados de cualquier otro modo.
- Asegúrese de que los discos de corte estén correctamente montados.
- Asegúrese de que los discos de corte giren en la dirección correcta.
- No utilice la máquina con los discos de corte orientados hacia arriba o a un lateral.
- Utilice únicamente discos de corte que sean adecuados para su uso con la máquina.
- Utilice únicamente discos de corte de las dimensiones correctas.
- No utilice otros accesorios que no sean discos de corte.
- No utilice la máquina cuando se requiera una profundidad de ranura máxima que supere la profundidad de ranura máxima de los discos de corte.
- Asegúrese de que sus manos no toquen las piezas giratorias.
- Trabaje siempre en la dirección de trabajo correcta (véase la indicación en la base).
- Deje que la máquina funcione sin carga en una zona segura tras el montaje de los discos de corte. Si la máquina vibra mucho, apáguela inmediatamente, saque el enchufe de la toma e intente solucionar el problema.
- Tenga en cuenta que los discos de corte siguen girando durante un corto periodo de tiempo

después de apagar la máquina. Nunca intente hacer que se detengan los discos de corte.

- Nunca ponga la máquina sobre una mesa o un banco de trabajo sin haberla desconectado previamente.

Retroceso

El retroceso es el movimiento hacia arriba y atrás de los discos de corte cuando éstos tocan un objeto inesperadamente. Sujete la máquina firmemente con ambas manos durante el uso. Mantenga su atención centrada en la operación.

El retroceso normalmente se produce por:

- el contacto involuntario de objetos o materiales duros con los discos de corte giratorios;
- discos de corte desafilados; - discos de corte que no se han montado correctamente;
- corte en un corte anterior;
- una falta de atención a la operación;
- una postura inestable.

Seguridad eléctrica



Compruebe siempre que la tensión del suministro eléctrico corresponda con la tensión de la placa de características.

- No utilice la máquina si el cable o el enchufe eléctrico han sufrido daños.
- Utilice únicamente cables alargadores que sean adecuados para la potencia nominal de la máquina con un grosor mínimo de 1.5 mm². Si utiliza un cable alargador en rollo, desenrolle totalmente el cable.

2. DATOS TÉCNICOS

Introducción

La ranuradora de paredes se ha diseñado para realizar ranuras en mampostería. La máquina sólo puede manejarse con la mano derecha.

DATOS TÉCNICOS

Modelo n.º	WC502AC
Tensión de red	230V~
Frecuencia de red	50Hz
Entrada de alimentación	1700W
Velocidad sin carga	4000 min ⁻¹
Ancho de ranura	14/19/29mm

Profundidad de ranura	5-40mm
Disco de corte	
Diámetro:	150mm
Orificio interior:	22,2mm
Rosca del eje	M12
Clase de protección	IP20
Peso	5,1kg
Presión acústica L _{PA}	85,3 dB(A)
Potencia acústica L _{WA}	96,3 dB(A)
Incertidumbre (K)	3 dB(A)
Vibración (empuñadura principal)	7,214 m/s ²
Vibración (empuñadura auxiliar)	5,843 m/s ²
Incertidumbre (K)	1,5 m/s ²



Lleve protección auditiva.

Nivel de vibración

El nivel de emisión de vibraciones indicado en este manual de instrucciones ha sido medido según una prueba estándar proporcionada en EN 60745; puede utilizarse para comparar una herramienta con otra y como valoración preliminar de la exposición a las vibraciones al utilizar la herramienta con las aplicaciones mencionadas

- al utilizarla para distintas aplicaciones o con accesorios diferentes o con un mantenimiento deficiente, podría aumentar de forma notable el nivel de exposición
- en las ocasiones en que se apaga la herramienta o cuando está funcionando pero no está realizando ningún trabajo, se podría reducir el nivel de exposición de forma importante

Protéjase contra los efectos de la vibración realizando el mantenimiento de la herramienta y sus accesorios, manteniendo sus manos calientes y organizando sus patrones de trabajo

DESCRIPCIÓN

Los números contenidos en el texto siguiente se refieren a las ilustraciones de la página 2-5.

- Interruptor de encendido/apagado
- Botón de bloqueo
- Botón de bloqueo de profundidad de ranura

- Escala de profundidad de ranura
- Botón de bloqueo del husillo
- Protector
- Base
- Rodillo de guía
- Conexión para extracción de polvo
- Empuñadura principal
- Empuñadura auxiliar
- Tornillos Allen
- Llave Allen
- Husillo
- Brida exterior
- Llave para bridas
- Disco de corte
- Separadores
- Disco de corte
- Manguito del husillo
- Brida interior
- Adaptador de extracción de polvo
- Láser
- Interruptor de encendido/apagado para el láser
- Compartimento de las pilas

3. MONTAJE



Antes del montaje, apague siempre la máquina y saque el enchufe de la toma.

Sustitución de los discos de corte (fig. B - D)

Los discos de corte desgastados o dañados deben sustituirse de inmediato.



- Utilice únicamente discos de corte afilados y en buen estado.
- Utilice únicamente discos de corte que sean adecuados para el material que se va a trabajar.
- Utilice únicamente discos de corte con una velocidad máxima permitida que sea igual o que supere la velocidad sin carga máxima de la máquina.
- Utilice únicamente discos de corte de diamante adecuados para el corte en seco.
- Sustituya siempre ambos discos de corte al mismo tiempo.
- Nunca intente quitar la protección.

- Coloque la máquina sobre una superficie estable.
- Afloje los tornillos Allen (12) con la llave Allen (13).
- Afloje el mando de bloqueo (3) y baje la base (7).

- Retire la protección (6).
- Mantenga presionado el botón de bloqueo del eje (5) para bloquear el eje (14).
- Afloje la brida exterior (15) con la llave de brida (16).
- Retire el disco de corte viejo (17), los espaciadores (18), el disco de corte viejo (19), el manguito del eje (20) y la brida interior (21).
- En caso necesario, limpie las bridas (15 & 21).
- Monte la brida interior (21), el manguito del eje (20), el disco de corte nuevo (19), los espaciadores (18) y el disco de corte nuevo (17).
- Apriete firmemente la brida exterior (15) con la llave de brida (16).
- Suelte el botón de bloqueo del eje (5).
- Monte la protección (6).
- Levante la base (7) y apriete el mando de bloqueo (3).
- Apriete firmemente los tornillos Allen (12) con la llave Allen (13).

4. MANEJO

Ajuste del ancho de ranura (fig. B - E)

El ancho de ranura puede ajustarse con los espaciadores entre los discos de corte. El número de espaciadores entre los discos de corte determina el ancho de ranura.



- *No ajuste el ancho de ranura durante el uso.*
- *Monte siempre al menos un espaciador entre los discos de corte.*

- Determine el ancho de ranura.
- Monte los espaciadores (18) alrededor de los discos de corte (17 & 19) en el orden deseado. Consulte el capítulo "Sustitución de los discos de corte".

Ajuste de la profundidad de ranura (fig. A & F)

La profundidad de ranura es variable entre 5 y 40 mm. La profundidad de ranura puede leerse en la escala (4).



No ajuste la profundidad de ranura durante el uso.

- Afloje el mando de bloqueo (3).
- Incline la base (7) a la posición deseada. Ajuste una profundidad de ranura aproximadamente 3

mm más profunda para compensar las posibles irregularidades de la superficie de la pared.

- Apriete el mando de bloqueo (3).

Encendido y apagado (fig. A)

- Para encender la máquina, mantenga pulsado el botón de desbloqueo (2) y pulse simultáneamente el interruptor de encendido/apagado (1).
- Para apagar la máquina, suelte el interruptor de encendido/apagado (1).

Utilización del láser (fig. A)

- Para encender el láser (23), pulse el interruptor de encendido/apagado (24).
- Para apagar el láser (23), suelte el interruptor de encendido/apagado (24).

Protección de sobrecarga

La máquina está equipada con un dispositivo de protección de sobrecarga que desconecta la máquina automáticamente en caso de que ésta se sobrecargue.

- Apague la máquina.
- Retire la máquina de la pieza de trabajo.
- Encienda la máquina.
- Haga funcionar la máquina sin carga aproximadamente 1 minuto para permitir que la máquina se enfríe.

Extracción de polvo (fig. G)

Utilice la máquina únicamente cuando esté conectada a un dispositivo de aspiración que esté homologado para el polvo de piedra. El dispositivo de aspiración debe ser adecuado para el material que se trabaja. Utilice un dispositivo de aspiración especial cuando trabaje con materiales tóxicos o cuando se produzca polvo tóxico.



- *Nunca utilice un aspirador doméstico. La utilización de un aspirador doméstico puede suponer un riesgo para su salud y dañar el aspirador.*
- *Utilice siempre el adaptador de extracción de polvo.*
- *Asegúrese de que la manguera del dispositivo de aspiración esté bien conectada al adaptador de extracción de polvo.*
- *Si el dispositivo de aspiración se avería, deje de trabajar inmediatamente, apague la máquina, saque el enchufe de la toma e intente solucionar el problema.*

- Introduzca el adaptador de extracción de polvo (22) en la conexión para extracción de polvo (9).
- Conecte la manguera de un dispositivo de aspiración al adaptador de extracción de polvo (22).

Consejos para un uso óptimo

- Trace líneas para definir la dirección en la que guiar los discos de corte.
- Sujete la máquina con ambas manos. Mantenga la segunda mano en el mango auxiliar (11).
- Ajuste el ancho de ranura.
- Realice uno de los siguientes pasos:
 - Baje la máquina en la pared y ajuste la profundidad de ranura (recomendado). La máquina se coloca contra la pared y los discos de corte bajan en la pared para ajustar con mayor precisión la profundidad de ranura.
 - Ajuste la profundidad de ranura y baje la máquina en la pared.
- Coloque la máquina con el rodillo de guía sobre la pared. Asegúrese de que los discos de corte se alineen con las líneas trazadas en la pared.
- Ajuste la profundidad de ranura.
- Encienda la máquina.
- Espere hasta que la máquina alcance la máxima velocidad.
- Mueva lentamente la máquina por las líneas pretrazadas, presionando firmemente el rodillo de guía contra la pared (Fig. H).
- No aplique demasiada presión sobre la máquina. Deje que la máquina haga el trabajo.
- Apague la máquina y espere que ésta se detenga completamente antes de dejarla.

5. MANTENIMIENTO



Desconecte siempre la máquina de la red eléctrica principal antes de realizar cualquier trabajo de mantenimiento.

Limpie regularmente la carcasa de la máquina con un paño suave, preferentemente después de cada uso. Compruebe que los orificios de ventilación estén libres de polvo y suciedad. Elimine el polvo persistente utilizando un paño suave humedecido con agua y jabón. No use disolventes tales como gasolina, alcohol, amoníaco, etc. Tales productos químicos pueden dañar los componentes sintéticos.

Sustitución de las pilas (fig. I)

El láser utiliza 2 pilas AAA. Si el láser deja de funcionar, es necesario sustituir las pilas.

- Retire la cubierta (26) del compartimento de las pilas (25).
- Retire las pilas usadas (27).
- Coloque las pilas nuevas (27).
- Monte la cubierta (26) en el compartimento de las pilas (25).

MEDIO AMBIENTE



Los aparatos eléctricos o electrónicos defectuosos y/o desechados deben recogerse en lugares de reciclado apropiado.

Sólo para países CE

No deseche las herramientas eléctricas con los residuos domésticos. De conformidad con la Directiva Europea 2012/19/EU sobre residuos de aparatos eléctricos y electrónicos y su implementación en el derecho nacional, las herramientas eléctricas que dejen de funcionar deben recogerse por separado y desecharse de forma respetuosa con el medio ambiente.

CONDICIONES DE GARANTÍA

Los productos VONROC han sido desarrollados con los más altos estándares de calidad y VONROC garantiza que están exentos de defectos relacionados con los materiales y la fabricación durante el periodo legalmente estipulado, a contar desde la fecha de compra original. En caso de que el producto presente defectos relacionados con los materiales y/o la fabricación durante este periodo, póngase directamente en contacto VONROC.

La presente garantía se excluye en los siguientes casos:

- Si centros de servicios no autorizados han realizado o han intentado realizar reparaciones y/o alteraciones a la máquina.
- Si se ha producido un desgaste normal.
- Si la herramienta ha sido mal tratada o usada en modo impropio, o se ha realizado incorrectamente su mantenimiento.
- Si se han utilizado piezas de repuesto no originales.

La presente costituisce la única garantía implícita y explícita que ofrece la compañía. No existen otras garantías explícitas o implícitas que excedan las citadas aquí, incluidas las garantías implícitas de comerciabilidad e idoneidad para una finalidad en especial. VONROC no será considerada responsable en ningún caso por daños incidentales o consecuentes. Los recursos a disposición de los distribuidores se limitan a la reparación o a la sustitución de las unidades o piezas no conformes.

El producto y el manual de usuario están sujetos a variaciones. Las especificaciones pueden variarse sin previo aviso.

1. ISTRUZIONI DI SICUREZZA

Leggere accuratamente gli avvisi di sicurezza, gli avvisi di sicurezza aggiuntivi e le istruzioni. La mancata osservanza degli avvisi di sicurezza e delle istruzioni potrebbe causare scosse elettriche, incendio e/o gravi lesioni. Mantenere gli avvisi di sicurezza e le istruzioni a portata di mano per future consultazioni.

I seguenti simboli sono utilizzati nel presente manuale utente o sul prodotto:



Leggere il manuale utente.



Pericolo di lesioni personali.



Pericolo di scosse elettriche.



Disconnettere immediatamente la spina di alimentazione dalla rete elettrica qualora il cavo di alimentazione risulti danneggiato e durante ogni operazione di pulitura e manutenzione.



*Indossare occhiali di protezione.
Indossare protezioni per l'udito.*



A Indossare una mascherina anti-polvere.



Pericolo di espulsione di frammenti ad alta velocità. Mantenere gli astanti a sufficiente distanza dall'area di lavoro.



Doppio isolamento.



Avvertenza di radiazione laser.



Non smaltire il prodotto in contenitori non idonei.



Il prodotto è conforme agli standard pertinenti in materia di sicurezza previsti dalla legislazione Europea.

REGOLE GENERALI DI SICUREZZA



ATTENZIONE! Leggere tutte le avvertenze di sicurezza e tutte le istruzioni. Se non si seguono tutte le istruzioni sotto elencate, si può incorrere in uno shock elettrico, in un incendio e/o in lesioni serie.

Conservare queste istruzioni.

Il termine "arnese elettrico" in tutti gli avvertimenti sotto elencati si riferisce al vostro arnese elettrico che funziona a corrente (con filo) o ad un arnese che funziona a pile (senza filo).

1) Area di lavoro

- a) **Mantenere l'area di lavoro pulita e ben illuminata.** Aree buie e disordinate favoriscono gli incidenti.
- b) **Non usare arnesi elettrici in atmosfere esplosive, come vicino ai liquidi infiammabili, gas o polveri.** Gli arnesi elettrici creano scintille che possono incendiare la polvere dei vapori.
- c) **Tenere lontani bambini e altre persone mentre si accende l'arnese elettrico.** Le distrazioni possono farvi perdere il controllo.

2) Sicurezza elettrica

- a) **Le spine dell'arnese elettrico devono andare bene per la presa di corrente. Non modificare mai la spina in alcun modo. Non usare alcun adattatore con arnesi elettrici a terra (messo a terra).** Spine non modificate che vanno bene per le prese di corrente ridurranno il rischio di shock elettrico.
- b) **Evitare il contatto corporeo con superfici a terra come tubature, radiatori, fornelli e refrigeratori.** C'è un rischio maggiore di shock elettrico se il vostro corpo è a terra.
- c) **Non esporre arnesi elettrici alla pioggia o a condizioni di umidità.** Se dell'acqua penetra nell'arnese elettrico aumenterà il rischio di shock elettrico.
- d) **Non abusare del filo. Non usare mai il filo per trasportare, spingere o staccare dalla presa l'arnese elettrico. Tenere il filo lontano da calore, olio, bordi taglienti o parti mobili.** Fili danneggiati o aggrovigliati aumentano il rischio di shock elettrico.
- e) **Quando si accende un arnese elettrico all'aperto, usare una prolunga adatta a tale uso.** Usare un filo adatto all'uso all'aperto ridurrà il rischio di shock elettrico.
- f) **Se non è possibile evitare l'uso di un elettroutensile in ambiente umido, usare una rete di alimentazione protetta da un interruttore differenziale (salvavita).** L'uso di un salvavita riduce il rischio di scosse elettriche.

3) Sicurezza personale

- a) **Stare vigili e attento quando si accende un arnese elettrico. Non usare un arnese elettrico mentre si è stanco o sotto l'effetto di droghe,**

alcool o medicinali. Un momento di disattenzione mentre si accendono arnesi elettrici può causare delle gravi lesioni personali.

- b) **Usare dispositivi di protezione individuale. Indossare sempre una protezione per gli occhi.** Dispositivi di sicurezza come mascherina per la polvere, scarpe di sicurezza antiscivolo, casco, o protezioni per le orecchie usate nelle appropriate condizioni, ridurranno le lesioni personali.
- c) **Prevenire l'avvio accidentale. Assicurarsi che l'interruttore sia spento prima di collegarsi.** Trasportare elettroutensili tenendo il dito sull'interruttore di accensione o dare corrente ad elettroutensili con l'interruttore acceso può dare luogo a incidenti.
- d) **Rimuovere ogni chiave regolatrice o chiave per dadi prima di accendere l'arnese elettrico.** Una chiave per dadi o una chiave lasciata attaccata ad una parte rotante dell'arnese elettrico può provocare lesioni personali.
- e) **Cercare di mantenere l'equilibrio. Mantenere sempre un punto d'appoggio appropriato.** Questo consente un controllo migliore dell'arnese elettrico in situazioni inaspettate.
- f) **Vestirsi adeguatamente. Non indossare vestiti larghi o gioielli. Tenere lontano capelli, vestiti e guanti dalle parti mobili.** Vestiti larghi, gioielli o capelli lunghi possono essere presi nelle parti mobili.
- g) **Se vengono forniti dispositivi per la connessione dell'estrazione della polvere e attrezzature di raccolta, assicurarsi che questi siano collegati e usati correttamente.** L'uso di questi dispositivi può ridurre i rischi correlati alla polvere.
- h) **Non lasciare che la confidenza acquisita dall'uso frequente induca l'utilizzatore ad assumere comportamenti imprudenti e a ignorare i principi di sicurezza per l'utensile.** Una semplice distrazione può provocare gravi lesioni personali in una frazione di secondo.

4) Uso e manutenzione dell'arnese elettrico

- a) **Non forzare l'arnese elettrico. Usare l'arnese elettrico corretto per il vostro impiego.** L'arnese elettrico corretto farà il lavoro meglio e in maniera più sicura alla velocità per la quale è stato progettato.
- b) **Non usare l'arnese elettrico se l'interruttore non si accende o non si spegne.** Ogni arnese elettrico che non può essere controllato con l'interruttore è pericoloso e deve essere riparato.

- c) **Scollegare la spina dalla sorgente di elettricità prima di fare qualsiasi regolazione, cambiare gli accessori, o conservare arnesi elettrici.** Tali misure di sicurezza preventive riducono il rischio di accendere l'arnese elettrico accidentalmente.
- d) **Conservare gli arnesi elettrici inattivi fuori dalla portata dei bambini e non permettere a persone che non hanno confidenza con l'arnese elettrico o con queste istruzioni di usare l'arnese elettrico.** Gli arnesi elettrici sono pericolosi per utenti inesperti.
- e) **Mantenere gli arnesi elettrici. Controllare il non allineamento o l'attacco di parti mobili, la rottura di parti ed ogni altra condizione che può influire sul funzionamento degli arnesi elettrici. Se è danneggiato, far riparare l'arnese elettrico prima dell'uso.** Molti incidenti sono causati da arnesi elettrici mantenuti male.
- f) **Mantenere gli arnesi da taglio affilati e puliti.** È meno probabile che si attacchino degli arnesi da taglio mantenuti correttamente con tagli affilate e questi sono anche più facili da controllare.
- g) **Usare l'arnese elettrico, gli accessori e le parti dell'arnese ecc, secondo queste istruzioni e nel modo pensato per il particolare tipo di arnese elettrico, tenendo conto delle condizioni di lavoro e del lavoro da svolgere.** L'uso dell'arnese elettrico per operazioni diverse da quelle pensate potrebbe causare situazioni pericolose.
- h) **Mantenere le impugnature e le superfici di presa asciutte, pulite e libere da olio e grasso.** Impugnature e superfici di presa scivolose non consentono di maneggiare e controllare in sicurezza l'utensile in situazioni impreviste.
- 5) **Uso e manutenzione dell'utensile a batteria**
- a) **Ricaricare l'apparecchio esclusivamente con il caricabatterie specificato dal fabbricante.** Se si utilizza un caricabatterie di diverso tipo potrebbero verificarsi incendi.
- b) **Utilizzare gli utensili elettrici solo con i pacchi batterie appositamente prescritti.** L'uso di pacchi batterie di diverso tipo aumenta il rischio di infortunio o incendio.
- c) **Quando il pacco batterie non è in uso, tenerlo lontano da oggetti metallici quali fermagli, monete, chiavi, chiodi, viti o altri piccoli oggetti metallici che potrebbero mettere in collegamento i due poli.** Se i poli vengono messi in corto circuito, la batteria potrebbe emettere scintille o fiammate.
- d) **In condizioni di uso scorretto, la batteria potrebbe emettere liquido: evitare pertanto di entrarvi in contatto. In caso di contatto accidentale, risciacquare con acqua. Se il liquido entra a contatto con gli occhi, consultare immediatamente un medico.** Il liquido emesso dalla batteria può causare irritazioni o ustioni.
- e) **Non utilizzare un pacco batterie o l'utensile se danneggiati o manomessi.** Pacchi batterie danneggiati o manomessi potrebbero avere comportamenti imprevisti con il rischio di incendiarsi, esplodere o provocare lesioni a persone.
- f) **Non esporre un pacco batterie o l'utensile alle fiamme o a temperature eccessivamente elevate.** L'esposizione alle fiamme o a temperature superiori a 130 °C potrebbe provocare un'esplosione. NOTA: la temperatura di "130 °C" corrisponde a "265 °F".
- g) **Seguire tutte le istruzioni per la ricarica e non caricare il pacco batterie o l'utensile a temperature che non rientrino nell'intervallo specificato nelle istruzioni.** Se si effettua la ricarica in modo improprio o a temperature non comprese nell'intervallo specificato, il pacco batterie potrebbe subire danni e potrebbe aumentare il rischio di incendi.
- 6) **Riparazione**
- a) **L'assistenza per l'elettro utensile deve essere prestata da un tecnico qualificato che utilizzi soltanto ricambi originali.** In questo modo viene garantita la sicurezza dell'elettro utensile.
- b) **Non tentare di riparare pacchi batterie danneggiati.** La riparazione dei pacchi batteria deve essere effettuata esclusivamente dal produttore o presso centri di assistenza autorizzati.

AVVERTENZE DI SICUREZZA AGGIUNTIVE PER LO SCANALATRICE DA MURO

- **Avvertenza di radiazione laser.** Classe laser 2, P max.: <1 mW, λ: 650 nm, EN 60825-1:2014. Non guardare direttamente nel raggio laser o nell'apertura da cui esso fuoriesce. Non puntare mai il raggio laser su persone, animali o superfici riflettenti. Anche un contatto breve con gli occhi può causare lesioni ad essi. L'esame dell'apertura di fuoriuscita del laser mediante strumenti ottici (per esempio lente di ingrandimento, strumenti ingranditori o simili) causa il rischio di lesioni agli occhi. Operando con un laser della classe 2, osservare le disposizioni nazionali riguardo all'utilizzo di protezioni per gli occhi.

- Non operare su materiali contenenti amianto. L'amianto è una sostanza considerata cancerogena.
- Indossare occhiali protettivi, protezioni per l'udito e, se necessario, altro equipaggiamento protettivo, come guanti da lavoro, scarpe di sicurezza, ecc.
- Prima dell'uso, rimuovere chiodi ed altri oggetti metallici dalla parete.
- Porre attenzione alla presenza di eventuali tubi o cavi nascosti durante il taglio di scanalature nelle pareti.
- Sostenere sempre l'elettrotensile con entrambe le mani.
- Non utilizzare l'elettrotensile senza la protezione.
- Prima di ogni uso, controllare lo stato dei dischi da taglio. Non utilizzare dischi da taglio deformati, spezzati o altrimenti danneggiati.
- Assicurarsi che i dischi da taglio siano montati correttamente.
- Verificare che i dischi da taglio ruotino nella corretta direzione.
- Non utilizzare l'elettrotensile con i dischi da taglio rivolti verso l'alto o lateralmente.
- Usare soltanto dischi da taglio idonei all'uso con l'elettrotensile.
- Usare esclusivamente dischi da taglio della corretta dimensione.
- Non utilizzare accessori diversi dai dischi da taglio.
- Non utilizzare l'elettrotensile per praticare una scanalatura la cui profondità massima superi la massima profondità di scanalatura dei dischi da taglio.
- Assicurarsi di non toccare con le mani le parti in rotazione.
- Lavorare sempre nella direzione corretta (vedere indicatore sulla base).
- Far ruotare l'elettrotensile in assenza di carico in un'area sicura dopo il montaggio dei dischi da taglio. Se l'elettrotensile vibra eccessivamente, spegnerlo immediatamente, disconnettere la spina di alimentazione dalla rete elettrica e tentare di risolvere il problema.
- Porre attenzione perché i dischi da taglio continuano a ruotare per un breve periodo dopo lo spegnimento dell'elettrotensile. Non tentare di arrestare manualmente la rotazione dei dischi da taglio.
- Non porre mai l'elettrotensile su un tavolo o un banco da lavoro senza averlo precedentemente spento.

Contraccolpo

Il contraccolpo è il brusco movimento dei dischi da taglio verso l'alto e all'indietro quando entrano accidentalmente in contatto con un oggetto. Sostenere saldamente l'elettrotensile con entrambe le mani durante l'uso. Mantenere l'attenzione concentrata sul lavoro in corso.

Il contraccolpo è generalmente causato da:

- il contatto accidentale dei dischi da taglio in rotazione con oggetti o materiali duri;
- l'uso di dischi da taglio non affilati;
- il montaggio non corretto dei dischi da taglio;
- taglio all'interno di una scanalatura precedente;
- una mancanza di attenzione durante il lavoro;
- una posizione instabile.

Sicurezza elettrica



Controllare sempre che la tensione di alimentazione corrisponda alla tensione indicata sulla targhetta delle caratteristiche.

- Non utilizzare l'elettrotensile quando il cavo o la spina di alimentazione sono danneggiati.
- Utilizzare esclusivamente cavi di prolunga idonei per la potenza nominale dell'elettrotensile, con conduttori di sezione minima di 1.5 mm². Quando si utilizza un cavo di prolunga con avvolgicavo, svolgere sempre completamente il cavo.

2. INFORMAZIONI RELATIVE ALL'ELETTROTENSILE

Informazioni sul prodotto

Questo scanalatore da parete è stato progettato per praticare scanalature su pareti in muratura. La macchina è idonea esclusivamente all'uso con la mano destra.

DATI TECNICI

Numero modello	WC502AC
Tensione di alimentazione	230V~
Frequenza di alimentazione	50Hz
Potenza assorbita	1700W
Velocità a vuoto	4000 min ⁻¹
Larghezza di scanalatura	14/19/29mm
Profondità di scanalatura	5-40mm

Disco da taglio	
Diametro:	150mm
Foro:	22,2mm
Filettatura dell'alberino	M12
Classe di protezione	IP20
Peso	5,1kg
Pressione sonora L_{PA}	85.3 dB(A)
Potenza acustica L_{WA}	96.3 dB(A)
Incertezza (K)	3 dB(A)
Vibrazioni (impugnatura principale)	7,214 m/s ²
Vibrazioni (impugnatura ausiliaria)	5,843 m/s ²
Incertezza (K)	1,5 m/s ²



Indossare protezioni per l'udito.

Livello delle vibrazioni

Il livello di emissione delle vibrazioni indicato sul retro di questo manuale di istruzioni è stato misurato in conformità a un test standardizzato stabilito dalla norma EN 60745; questo valore può essere utilizzato per mettere a confronto un l'utensile con un altro o come valutazione preliminare di esposizione alla vibrazione quando si impiega l'utensile per le applicazioni menzionate

- se si utilizza l'utensile per applicazioni diverse, oppure con accessori differenti o in scarse condizioni, il livello di esposizione potrebbe aumentare notevolmente
- i momenti in cui l'utensile è spento oppure è in funzione ma non viene effettivamente utilizzato per il lavoro, possono contribuire a ridurre il livello di esposizione

Proteggersi dagli effetti della vibrazione effettuando la manutenzione dell'utensile e dei relativi accessori, mantenendo le mani calde e organizzando i metodi di lavoro.

DESCRIZIONE

I numeri che compaiono nel testo si riferiscono agli schemi riportati alle pagine 2-5.

1. Interruttore di accensione/spengimento
2. Pulsante di sicurezza
3. Pomello di bloccaggio della profondità scanalature
4. Scala della profondità di taglio

5. Pulsante di blocco mandrino
6. Carter di protezione
7. Base
8. Rullo guida
9. Connettore per aspiratore di polveri
10. Impugnatura principale
11. Impugnatura ausiliaria
12. Brugole
13. Chiave a barra esagonale
14. Mandrino
15. Flangia esterna
16. Chiave per flangia
17. Disco di taglio
18. Spessori
19. Disco di taglio
20. Manicotto del mandrino
21. Flangia interna
22. Adattatore per tubo di aspirazione polveri
23. Laser
24. Interruttore on/off per laser
25. Vano delle pile

3. MONTAGGIO



Prima del montaggio, spegnere sempre l'elettrotensile e disconnettere la spina di alimentazione dalla rete elettrica.

Sostituzione dei dischi da taglio (fig. B - D)

I dischi da taglio usurati o danneggiati devono essere sostituiti immediatamente.



- Utilizzare esclusivamente dischi da taglio affilati e non danneggiati.
- Utilizzare esclusivamente dischi da taglio adeguati al materiale su cui operare.
- Utilizzare esclusivamente dischi da taglio con velocità di rotazione massima nominale equivalente o superiore alla velocità massima dell'elettrotensile in assenza di carico.
- Utilizzare esclusivamente dischi da taglio diamantati idonei per taglio a secco.
- Sostituire sempre contemporaneamente entrambi i dischi da taglio.
- Non tentare mai di rimuovere la protezione.

- Collocare l'elettrotensile su una superficie stabile.
- Utilizzando la chiave a brugola (12) allentare le viti a testa con cava (13).

- Allentare il pomello di bloccaggio (3) e abbassare la base (7).
- Rimuovere la protezione (6).
- Mantenere premuto il pulsante di blocco dell'alberino (5) per bloccare la rotazione dell'alberino (14).
- Allentare la flangia esterna (15) utilizzando l'apposita chiave per flange in dotazione (16).
- Rimuovere il disco da taglio usurato (17), i distanziatori (18), il disco da taglio usurato (19), il collare dell'alberino (20) e la flangia interna (21).
- Pulire le flange (15 & 21), se necessario.
- Montare la flangia interna (21), il collare dell'alberino (20), il nuovo disco da taglio (19), i distanziatori (18) e il nuovo disco da taglio (17).
- Serrare saldamente la flangia esterna (15) utilizzando l'apposita chiave in dotazione (16).
- Rilasciare il pulsante di blocco (5) dell'alberino.
- Montare la protezione (6).
- Sollevare la base (7) e serrare il pomello di bloccaggio (3).
- Utilizzando la chiave a brugola (12) serrare saldamente le viti a testa con cava (13).

4. UTILIZZO

Impostazione della larghezza di scanalatura (fig. B - E)

La larghezza di scanalatura può essere impostata utilizzando i distanziatori interposti tra i dischi da taglio. Il numero di distanziatori interposti tra i dischi da taglio determina la larghezza di scanalatura.



- Non impostare la larghezza di scanalatura durante l'uso.
- Montare sempre almeno un distanziatore tra i dischi da taglio.

- Determinare la larghezza di scanalatura.
- Montare i distanziatori (18) attorno ai dischi da taglio (17 & 19) nell'ordine richiesto. Vedere il capitolo "Sostituzione dei dischi da taglio".

Regolazione della profondità di scanalatura (fig. A & F)

La profondità di scanalatura è regolabile tra 5 e 40 mm. La profondità di scanalatura è indicata dalla scala (4).



- Non regolare la profondità di scanalatura durante l'uso.

- Allentare il pomello di bloccaggio (3).
- Inclinare la base (7) nella posizione desiderata. Impostare una profondità di scanalatura circa 3mm superiore alla profondità richiesta, per compensare eventuali irregolarità della superficie della parete.
- Serrare il pomello di bloccaggio (3).

Accensione e spegnimento (fig. A)

- Per accendere l'elettrotensile, mantenere premuto il pulsante di sblocco (2) e contemporaneamente premere l'interruttore on/off (1).
- Per spegnere l'elettrotensile, rilasciare l'interruttore on/off (1).

Uso del laser (fig. A)

- Per accendere il laser (23), premere l'interruttore on/off (24).
- Per spegnere il laser (23), rilasciare l'interruttore on/off (24).

Protezione da sovraccarico

L'elettrotensile è dotato di un dispositivo di protezione da sovraccarico che spegne automaticamente l'elettrotensile in caso di sovraccarico.

- Spegnere l'elettrotensile.
- Rimuovere l'elettrotensile dal pezzo in lavorazione.
- Accendere l'elettrotensile.
- Azionare l'elettrotensile in assenza di carico per circa 1 minuto, per permettere all'elettrotensile di raffreddarsi.

Aspirazione della polvere (fig. G)

Utilizzare l'elettrotensile soltanto quando è connesso ad un dispositivo di aspirazione approvato per polveri di pietra. Il dispositivo di aspirazione deve essere idoneo per il materiale da lavorare. Utilizzare uno speciale aspiratore per lavorare su materiali tossici o dove si producano polveri tossiche.



- Non utilizzare mai un aspirapolvere di tipo domestico. L'impiego di un aspirapolvere di tipo domestico può facilmente recare danni alla salute e danneggiare lo stesso aspirapolvere.
- Utilizzare l'adattatore per l'estrazione delle polveri.
- Assicurarsi che il flessibile del dispositivo di aspirazione sia saldamente connesso all'adattatore di estrazione delle polveri.

- *Se il dispositivo di aspirazione si arresta, interrompere immediatamente il lavoro, spegnere l'elettrotensile, disconnettere la spina di alimentazione dalla rete elettrica e tentare di risolvere il problema.*
- Inserire l'adattatore per l'estrazione delle polveri (22) nel relativo raccordo (9).
- Collegare il flessibile del dispositivo di aspirazione all'adattatore di estrazione delle polveri (22).

Suggerimenti per un uso ottimale

- Tracciare delle linee per definire la direzione in cui muovere i dischi da taglio.
- Sostenere l'elettrotensile con entrambe le mani. Tenere l'altra mano sull'impugnatura ausiliaria (11).
- Regolare la larghezza di scanalatura.
- Procedere in uno dei seguenti modi:
 - Abbassare l'elettrotensile nella parete e regolare la profondità di scanalatura (procedura consigliata). L'elettrotensile si trova a contatto con la parete e i dischi da taglio penetrano nella parete per regolare la profondità di scanalatura con maggiore accuratezza.
 - Regolare la profondità di scanalatura e abbassare l'elettrotensile nella parete.
- Appoggiare l'elettrotensile con il rullo di guida a contatto con la parete. Assicurarsi che i dischi da taglio siano allineati con le linee tracciate sulla parete.
- Regolare la profondità di scanalatura.
- Accendere l'elettrotensile.
- Attendere finché l'elettrotensile non ha raggiunto la massima velocità.
- Muovere lentamente l'elettrotensile lungo le linee pretracciate, premendo saldamente il rullo di guida contro la parete (Fig.H).
- Non esercitare una pressione eccessiva sull'elettrotensile. Lasciare che l'elettrotensile effettui il lavoro di taglio.
- Prima di appoggiare l'elettrotensile, spegnerlo e attendere che si arresti completamente.

5. MANUTENZIONE



Prima di eseguire qualsiasi intervento di manutenzione scollegare sempre la macchina dalla presa di corrente.

Pulire regolarmente il corpo dell'elettrotensile con un panno morbido, preferibilmente dopo ogni uso. Assicurarsi che le prese d'aria siano libere da polvere e sporcizia. Rimuovere lo sporco particolarmente ostinato con un panno morbido inumidito con acqua e sapone. Non utilizzare solventi come benzina, alcol, ammoniaca, ecc. Le sostanze chimiche di questo tipo danneggiano i componenti sintetici.

Sostituzione delle pile (fig. I)

Il laser impiega 2 pile AAA. Se il laser cessa di funzionare, è necessario sostituire le pile.

- Rimuovere il coperchio (26) dal vano pile (25).
- Rimuovere le vecchie pile (27).
- Inserire le nuove pile (27).
- Montare il coperchio (26) sul vano pile (25).

AMBIENTE



Le apparecchiature elettriche o elettroniche difettose e/o scartate devono essere raccolte presso gli opportuni siti di riciclaggio.

Solo per i Paesi CE

Non smaltire gli elettrotensili insieme ai rifiuti domestici. Secondo la Direttiva europea 2012/19/EC sui rifiuti delle apparecchiature elettriche ed elettroniche e relativa implementazione nelle normative locali, gli elettrotensili ormai inutilizzabili devono essere raccolti separatamente e smaltiti in modo ecologico.

DEFINIZIONI DELLA GARANZIA

I prodotti VONROC sono sviluppati secondo i più elevati standard di qualità e viene garantita l'assenza di difetti nei materiali e nella manodopera per il periodo contrattuale a partire dalla data di acquisto originale. Qualora il prodotto dovesse subire un guasto qualsiasi durante questo periodo a causa di difetti nei materiali e/o nella manodopera, si prega di contattare direttamente il VONROC.

Le seguenti circostanze sono escluse da questa garanzia:

- Riparazioni e/o modifiche alla macchina sono state eseguite o tentate da centri di assistenza non autorizzati.
- Normale usura.
- L'utensile è stato abusato, utilizzato o manutenuito in modo improprio.

- Sono state utilizzate parti di ricambio non originali.

Ciò costituisce l'unica garanzia espressa o implicita fornita dall'azienda. Non esistono altre garanzie espresse o implicite che si estendono oltre il presente documento, ivi comprese le garanzie implicite di commerciabilità e idoneità per uno scopo particolare. In nessun caso VONROC sarà responsabile di eventuali danni incidentali o consequenziali. I rimedi dei rivenditori saranno limitati alla riparazione o sostituzione di unità o parti non conformi.

Il prodotto e il manuale per l'utente sono soggetti a modifiche. I dati tecnici possono essere modificati senza ulteriore notifica.

1. INSTRUKCJĘ DOTYCZĄCĄ BEZPIECZEŃSTWA OSTRZEŻENIE

Przeczytać dołączone ostrzeżenia dotyczące bezpieczeństwa, dodatkowe ostrzeżenia dotyczące bezpieczeństwa oraz instrukcje. Nieprzestrzeganie ostrzeżeń dotyczących bezpieczeństwa oraz instrukcji może prowadzić do porażenia prądem, pożaru i/lub poważnych obrażeń ciała. Zachować ostrzeżenia dotyczące bezpieczeństwa oraz instrukcje na przyszłość.

Następujące symbole są umieszczone w instrukcji obsługi lub na produkcie:



Przeczytać instrukcję obsługi.



Ryzyko obrażeń ciała



Ryzyko porażenia prądem.



Niezwłocznie odłączyć wtyczkę zasilania sieciowego od gniazdka sieciowego, jeśli przewód zasilania sieciowego zostanie uszkodzony, a także na czas czyszczenia i konserwacji.



*Używać gogli ochronnych.
Stosować osłonę dla uszu.*



Nos maskę przeciwpyłową.



Ryzyko wyrzucenia przedmiotów w powietrze. Nie pozwalać osobom postronnym zbliżyć się do obszaru pracy.



Maszyna klasy II - Podwójna izolacja - Nie trzeba stosować wtyczek z uziemieniem.



Ostrzeżenie przed promieniowaniem laserowym.



Nie wyrzucać produktu do nieodpowiednich pojemników.



Produkt spełnia wymogi odpowiednich norm bezpieczeństwa podanych w dyrektywach UE.

OGÓLNE ZALECENIA DOTYCZĄCE BEZPIECZEŃSTWA



UWAGA! Przeczytać wszystkie ostrzeżenia dotyczące bezpieczeństwa i wszystkie instrukcje. Nieprzestrzeganie wszystkich poniższych instrukcji może być przyczyną porażenia prądem, pożaru i/lub poważnych obrażeń.

Zachowaj poniższe instrukcje.

Termin „elektronarzędzia akumulatorowe” we wszystkich ostrzeżeniach zamieszczonych poniżej odnosi się do elektronarzędzi akumulatorowych zasilanych sieciowo (przewodowych) lub elektronarzędzi akumulatorowych działających na baterie (bezprowadowych).

1) Obszar roboczy

- a) **Obszar roboczy należy utrzymywać w czystości.** Powinien on być dobrze oświetlony. Nieład i złe oświetlenie mogą z łatwością doprowadzić do wypadku.
- b) **Nie korzystaj z elektronarzędzi akumulatorowych w warunkach, w których łatwo może dojść do wybuchu, np. w obecności łatwopalnych cieczy, gazów lub pyłu.** Podczas pracy elektronarzędzi akumulatorowych powstają iskry, które mogą doprowadzić do zapłonu pyłu lub oparów.
- c) **Dzieci i inne osoby postronne powinny pozostać w bezpiecznej odległości od pracującego urządzenia.** Rozproszenie uwagi może spowodować utratę kontroli nad urządzeniem.

2) Bezpieczeństwo związane z elektrycznością

- a) **Wtyczki elektronarzędzi akumulatorowych muszą być odpowiednie do danego gniazda. Pod żadnym pozorem nie należy modyfikować wtyczki w jakikolwiek sposób. Nie należy używać adapterów, które uziemiają elektronarzędzia akumulatorowe.** Stosowanie wtyczek nie poddanych modyfikacjom oraz odpowiednich gniazd zmniejsza ryzyko porażenia prądem.
- b) **Należy unikać bezpośredniego kontaktu fizycznego z powierzchniami uziemionymi, takimi jak rury, grzejniki, kuchenki, lodówki.** Ryzyko porażenia prądem jest większe, jeśli ciało osoby obsługującej urządzenie jest uziemione.
- c) **Nie należy wystawiać elektronarzędzi akumulatorowych na działanie deszczu lub wilgoci.** Dostanie się wody do wnętrza elektronarzędzia akumulatorowego zwiększy ryzyko porażenia prądem.

- d) **Nie należy używać przewodu w niewłaściwy sposób. Pod żadnym pozorem nie należy wykorzystywać przewodu do przenoszenia lub ciągnięcia elektronarzędzia akumulatorowego, ani do jego odłączania od sieci. Przewodu nie należy wystawiać na działanie ciepła, smarów. Powinien on znajdować się w bezpiecznej odległości od ostrych krawędzi i części ruchomych.** Przewody uszkodzone lub poplątane zwiększają ryzyko porażenia prądem.
- e) **Podczas korzystania z elektronarzędzia akumulatorowego na wolnym powietrzu, należy używać przewodu przedłużacza przystosowanego do użytku na zewnątrz.** Używanie przewodu nadającego się do użytku na wolnym powietrzu zmniejsza ryzyko porażenia prądem.
- f) **Jeśli obsługa elektronarzędzia w wilgotnym miejscu jest nieunikniona, użyć zasilania wyposażonego w wyłącznik różnicowo-prądowy.** Użycie wyłącznika różnicowo-prądowego zmniejsza ryzyko porażenia prądem.

3) Bezpieczeństwo osoby obsługującej urządzenie

- a) **Przez cały czas należy mieć się na baczności, uważać na to, co się robi, a w czasie obsługi elektronarzędzia akumulatorowego postępować mając na uwadze zdrowy rozsądek. Urządzenia nie powinny obsługiwać osoby zmęczone lub będące pod wpływem narkotyków, alkoholu lub leków.** Chwila nieuwagi w czasie obsługi elektronarzędzi akumulatorowych może być przyczyną powstania poważnych obrażeń ciała.
- b) **Należy korzystać ze sprzętu ochronnego oraz zawsze nosić okulary ochronne.** Sprzęt ochronny, jak na przykład maska przeciwpyłowa, antypoślizgowe obuwie ochronne, kask lub słuchawki ochronne używany we właściwych sytuacjach pozwoli na zmniejszenie ryzyka obrażeń ciała.
- c) **Unikać niezamierzonego uruchomienia. Przed podłączeniem urządzenia do sieci, zawsze sprawdzić, czy przełącznik znajduje się w pozycji „wyłączony”.** Przenoszenie elektronarzędzi z palcem na przełączniku lub włączonych elektronarzędzi z przełącznikiem w położeniu włączenia jest bardzo niebezpieczne i może powodować wypadki.
- d) **Przed włączeniem elektronarzędzia akumulatorowego należy usunąć z niego wszystkie klucze nastawcze lub maszynowe.** Pozostawienie klucza zamocowanego na jednej z części

obrotowych urządzenia może spowodować powstanie obrażeń ciała.

- e) **Nie należy sięgać ponad urządzeniem. Przez cały czas należy zachować odpowiednią równowagę i zapewnić odpowiednie oparcie dla stóp.** Pozwoli to na lepsze kontrolowanie urządzenia w nieoczekiwanych sytuacjach.
 - f) **Należy nosić odpowiednie ubranie. Do pracy z urządzeniem nie wkładać luźnych ubrań ani biżuterii. Włosy, ubranie i rękawiczki trzymać z dala od części ruchomych.** Luźne części ubrania, biżuteria lub długie włosy mogą zostać wciągnięte przez części ruchome.
 - g) **Jeśli w urządzeniu przewidziano elementy służące do odprowadzania i zbierania pyłu, należy sprawdzić, czy są podłączone, i czy działają we właściwy sposób.** Korzystanie z tego typu elementów pozwala ograniczyć ryzyko związane z wydzielaniem pyłu podczas pracy urządzenia.
 - h) **Nie zezwalać na to, aby rutyna związana z częstym korzystaniem z narzędzi powodowała nadmierną pewność siebie i ignorowanie zasad bezpiecznego korzystania z narzędzi.** Nieodpowiedzialne działanie może spowodować poważne obrażenia ciała w ułamku sekundy.
- 4) Obsługa i konserwacja elektronarzędzi akumulatorowych**
- a) **Urządzenia nie należy przeciążać. Należy korzystać z narzędzia odpowiedniego do danego typu pracy.** Odpowiednio dobrane urządzenie pozwoli na lepsze i bezpieczniejsze wykonanie pracy, we właściwym dla urządzenia tempie.
 - b) **Z elektronarzędzia akumulatorowego nie należy korzystać, jeśli nie można go włączyć i wyłączyć przy pomocy przełącznika.** Urządzenie, którego nie można kontrolować używając przełącznika jest niebezpieczne i powinno być oddane do naprawy.
 - c) **Przed przystąpieniem do regulowania elektronarzędzi akumulatorowych, wymiany akcesoriów lub przygotowywania urządzeń do okresu przechowywania, należy odłączyć wtyczkę od źródła zasilania.** Tego typu środki ostrożności zmniejszają ryzyko przypadkowego uruchomienia urządzenia.
 - d) **Nieczynne elektronarzędzia akumulatorowe należy przechowywać poza zasięgiem dzieci. Nie należy pozwolić, aby osoby nie znające urządzenia lub niniejszych instrukcji obsługi użyły urządzenia.** Elektronarzędzia akumulatorowe w

rękach niekompetentnych użytkowników stanowią zagrożenie.

- e) **Elektronarzędzia akumulatorowe należy utrzymywać w dobrym stanie technicznym. Należy sprawdzać, czy części ruchome są właściwie założone, i czy się nie zacinają. Należy również sprawdzać, czy jakieś części nie są uszkodzone oraz sprawdzać wszelkie inne elementy, które mogą wpłynąć na pracę urządzeń. Jeśli urządzenie jest uszkodzone, przed przystąpieniem do jego użytkowania, należy je naprawić.** Częstą przyczyną wypadków jest zły stan techniczny urządzeń.
 - f) **Narzędzia służące do cięcia powinny być naostrzone i utrzymywane w czystości.** Jeśli narzędzia służące do cięcia, które posiadają ostre krawędzie tnące, są właściwie konserwowane, istnieje mniejsze prawdopodobieństwo ich zacinania się. Ponadto, łatwiej je kontrolować.
 - g) **Elektronarzędzia akumulatorowego, akcesoriów, nakładek, itp. należy używać zgodnie z niniejszymi instrukcjami oraz w sposób właściwy dla danego rodzaju urządzenia, z u wzięciem pod uwagę warunków pracy oraz jej rodzaju.** Używanie urządzenia niezgodnie z przeznaczeniem może prowadzić do powstania sytuacji niebezpiecznych.
 - h) **Uchwyty należy utrzymywać w stanie suchym, czystym i niezabrudzonym olejem lub smarem.** Śliskie uchwyty i powierzchnie do chwytania nie pozwalają na bezpieczne obchodzenie się z narzędziem i panowanie nad nim w nieoczekiwanych sytuacjach.
- 5) Użytkowanie i konserwacja urządzenia zasilanego akumulatorami**
- a) **Ładować tylko przy użyciu ładowarki określonej przez producenta.** Ładowarka przewidziana dla jednego rodzaju akumulatorów stwarza ryzyko pożaru w przypadku użycia jej z innym zestawem akumulatorów.
 - b) **Należy używać jedynie akumulatorów przeznaczonych dla danego urządzenia.** Użycie innych akumulatorów stwarza ryzyko wystąpienia obrażeń ciała lub pożaru.
 - c) **Kiedy akumulatory nie są używane, należy przechowywać je z dala od przedmiotów metalowych, takich jak spinacze do papieru, monety, klucze, gwoździe, śruby lub inne niewielkie przedmioty metalowe, które mogłyby spowodować zwarcie pomiędzy stykami.** Zwarcie styków akumulatora może spowodować pożar.

- d) **W przypadku przecięcia z akumulatora może wycieknąć płyn; nie należy go dotykać. W razie przypadkowego kontaktu przemyć skórę wodą. W przypadku dostania się płynu do oczu należy skontaktować się z lekarzem.** Płyn z akumulatora może powodować podrażnienia lub oparzenia.
- e) **Nie używać uszkodzonego ani zmodyfikowanego akumulatora lub narzędzia.** Uszkodzone lub zmodyfikowane akumulatory mogą działać w sposób nieoczekiwany, co może powodować pożar, wybuch lub ryzyko obrażeń ciała.
- f) **Nie wystawiać akumulatora ani narzędzia na działanie płomienia lub zbyt wysokiej temperatury.** Narażenie na działanie płomienia lub temperatury powyżej 130°C może spowodować wybuch. UWAGA Temperaturę „130 °C“ można zastąpić temperaturą „265 °F“.
- g) **Przestrzegać wszystkich instrukcji ładowania i nie ładować akumulatora ani narzędzia poza zakresem temperatury podanym w instrukcji.** Nieprawidłowe ładowanie lub ładowanie w temperaturze poza podanym zakresem może spowodować uszkodzenie akumulatora i zwiększyć ryzyko pożaru.
- 6) **Serwis**
- a) **Zlecać serwisowanie elektronarzędzie wykwalifikowanemu technikowi stosującymi jedynie części zamienne identyczne z oryginalnymi.** Zapewni to zachowanie bezpieczeństwa elektronarzędzia.
- b) **Nigdy nie serwisować uszkodzonych akumulatorów.** Serwisowanie akumulatorów może przeprowadzać wyłącznie producent lub autoryzowany serwis.

DODATKOWE OSTRZEŻENIA DOTYCZĄCE BEZPIECZEŃSTWA DLA BRUZZOWNICY

- **Ostrzeżenie przed promieniowaniem laserowym.** Laser klasy 2, P maks.: <1 mW, λ: 650 nm, EN 60825-1:2014. Nie patrzeć bezpośrednio w wiązkę lasera ani w otwór, przez który jest emitowana. Nigdy nie kierować lasera na ludzi, zwierzęta lub powierzchnie odbijające światło. Nawet krótka styczność z okiem może powodować uszkodzenie wzroku. Badanie otworu, przez który emitowana jest wiązka z użyciem przyrządów optycznych (np. szkła powiększającego itp.) niesie ryzyko uszkodzenia wzroku. Podczas pracy laserem klasy 2

przestrzegać przepisów krajowych dotyczących korzystania z ochrony wzroku.

- Nie pracować z materiałami zawierającymi azbest. Azbest jest uznawany za substancję rakotwórczą.
- Korzystać z okularów ochronnych, ochronników słuchu i, w razie potrzeby, innych środków ochrony, jak rękawice ochronne, buty ochronne itp.
- Przed rozpoczęciem pracy usunąć wszystkie gwoździe i inne metalowe przedmioty ze ściany.
- Uważać na ukryte rury i okablowanie podczas wycinania bruzd w ścianach.
- Zawsze trzymać narzędzie obiema rękami.
- Nie używać narzędzia bez osłony.
- Sprawdzić tarcze tnące przed każdym użyciem. Nie używać zgiętych, pękniętych lub inaczej uszkodzonych tarcz tnących.
- Zapewnić poprawne zamontowanie tarcz tnących.
- Dopilnować, aby tarcze tnące obracały się w prawidłowym kierunku.
- Nie używać narzędzia z tarczami tnącymi skierowanymi do góry lub na bok.
- Używać wyłącznie tarcz tnących nadających się do użytku w połączeniu z narzędziem.
- Używać wyłącznie tarcz tnących o właściwych wymiarach.
- Nie używać akcesoriów innych niż tarcze tnące.
- Nie używać narzędzia, jeśli maksymalna wymagana głębokość bruzdy przekracza maksymalną głębokość wycinania bruzdy tarczy tnącej.
- Dopilnować, aby nie dotykać części obracających się rękami.
- Zawsze pracować we właściwym kierunku (patrz oznaczenie na podstawie).
- Pozwolić maszynie pracować bez obciążenia w bezpiecznym miejscu po zamontowaniu tarcz tnących. Jeśli maszyna silnie drga, wyłączyć ją niezwłocznie, odłączyć wtyczkę zasilania z gniazda sieciowego i podjąć próbę usunięcia problemu.
- Pamiętać, że tarcze tnące obracają się jeszcze przez chwilę po wyłączeniu maszyny. Nie próbować własnoręcznie zatrzymać tarcz tnących.
- Nigdy nie odkładać narzędzia na stół albo blat roboczy przed jego wyłączeniem.

Odrzut

Odrzut do skierowany do góry i wstecz ruch tarcz tnących w momencie nagłego dotknięcia przedmiotu przez tarcze. Podczas użytkowania trzymać mocno narzędzie obiema rękami. Podczas używania urządzenia należy skupić się na pracy.

Odrzut jest zwykle powodowany przez:

- przypadkowe dotknięcie twardych materiałów lub przedmiotów obracającymi się tarczami tnącymi;
- tępe tarcze tnące;
- nieprawidłowo zamontowane tarcze tnące;
- cięcie w uprzednio wykonanej bruzdzie;
- brak uwagi podczas pracy;
- niestabilna postawa.

Bezpieczeństwo elektryczne



Zawsze sprawdzać, czy napięcie zasilania jest zgodne z napięciem podanym na tabliczce znamionowej.

- Nie używać urządzenia, jeśli jego kabel zasilający jest uszkodzony lub wtyczka kabla zasilającego jest uszkodzona.
- Używać wyłącznie przedłużaczy przystosowanych do pracy z parametrami zasilania urządzenia o minimalnej grubości 1,5 mm². W przypadku korzystania z przedłużacza w zwoju, zawsze całkowicie rozwinąć zwój.

2. INFORMACJE O MASZYNIE

Przeznaczenie

Bruzdownica jest przeznaczona do wykonywania bruzd w murach. Narzędzie jest przeznaczone wyłącznie do użytku praworęcznego.

DANE TECHNICZNE

Nr modelu	WC502AC
Napięcie sieciowe	230V~
Częstotliwość sieciowa	50Hz
Pobór mocy	1700W
Obroty bez obciążenia	4000 min ⁻¹
Szerokość bruzdy	14/19/29 mm
Głębokość bruzdy	5-40mm
Tarcza tnąca	
Średnica	150 mm
Otwór środkowy	22,2 mm
Gwint wrzeciona	M12
Stopień ochrony	IP20
Ciezar	5.1kg
Poziom ciśnienia akustycznego L _{PA}	85.3 dB(A), K=3 dB(A)
Poziom mocy akustycznej L _{WA}	96.3 dB(A), K=3 dB(A)

Niepewność (K)	3 dB(A)
Drgania (główny uchwyt)	7.214 m/s ² K= 1.5 m/s ²
Drgania (uchwyt pomocniczy)	5.843 m/s ² K= 1.5 m/s ²
Niepewność (K)	1.5 m/s ²



Stosować osłonę dla uszu.

Poziom drgań

Poziom emisji drgań podany w tej instrukcji obsługi został zmierzony zgodnie ze standaryzowanym testem podanym w normie EN 60745; może on służyć do porównywania narzędzi ze sobą oraz do wstępnego oszacowania ekspozycji na drgania podczas użytkowania narzędzia do podanych zastosowań

- używanie narzędzia do innych zastosowań lub z innymi lub źle konserwowanymi akcesoriami może znacząco zwiększać poziom ekspozycji
- okresy, gdy narzędzie jest wyłączone lub okresy, gdy jest włączone, ale nie pracuje, mogą znacząco zmniejszać poziom ekspozycji

Chronić się przed wpływem drgań, konserwując odpowiednio narzędzie i akcesoria, utrzymując ciepłotę dłoni oraz odpowiednio organizując pracę.

OPIS

Liczby w tekście odnoszą się do rysunków na Stronach 2-5.

1. Włacznik
2. Przycisk wyłączania blokady
3. Pokrętło blokujące dla głębokości bruzdy
4. Skala głębokości bruzdy
5. Przycisk blokady wrzeciona
6. Osłona
7. Podstawa
8. Wałek prowadniczy
9. Podłączenie odbiornika pyłu
10. Główny uchwyt
11. Uchwyt pomocniczy
12. Śruby typu „Allen“
13. Klucz typu „Allen“
14. Wrzeciono
15. Zewnętrzna podkładka kołnierзова
16. Klucz do podkładki kołnierkowej
17. Tarcza tnąca
18. Przekładki
19. Tarcza tnąca
20. Tuleja wrzeciona
21. Wewnętrzna podkładka kołnierзова

- 22. Złącze odsysania pyłu
- 23. Laser
- 24. Przełącznik wł./wył. Lasera
- 25. Pojemnik na baterię

3. MONTAŻ



Przed rozpoczęciem montażu zawsze wyłączać maszynę i wyjmować wtyczkę zasilania sieciowego z gniazdka.

Wymiana tarcz tnących (rys. B - D)

Zużyte lub uszkodzone tarcze tnące należy natychmiast wymienić.



- Używać wyłącznie ostrych i nieuszkodzonych tarcz tnących.
- Używać wyłącznie tarcz tnących nadających się do pracy z obrabianym materiałem.
- Używać wyłącznie tarcz tnących o maksymalnej dopuszczalnej prędkości równej lub wyższej od maksymalnej prędkości obrotowej narzędzia bez obciążenia.
- Używać wyłącznie diamentowych tarcz tnących przeznaczonych do cięcia na sucho.
- Zawsze jednocześnie wymieniać obie tarcze tnące.
- Nigdy nie podejmować prób demontażu osłony.

- Kłaść narzędzie na stabilnej powierzchni.
- Poluzować śruby imbusowe (12) kluczem imbusowym (13).
- Poluzować pokrętko blokujące (3) i opuścić podstawę (7).
- Zdjąć osłonę (6).
- Trzymać przycisk blokady wrzeciona (5) wciśnięty, aby zablokować wrzeciono (14).
- Poluzować zewnętrzną podkładkę kołnierзовą (15) kluczem do podkładki (16). Aby odkręcić, obracać zgodnie ze wskazówkami zegara. Aby dokręcić, obracać przeciwnie do wskazówek zegara.
- Zdemontować starą tarczę tnącą (17), przekładki (18), starą tarczę tnącą (19), tuleję wrzeciona (20) oraz wewnętrzną podkładkę kołnierзовą (21).
- W razie potrzeby oczyścić kołnierże (15 i 21).
- Zamontować wewnętrzną podkładkę kołnierзовą (21), tuleję wrzeciona (20), nową tarczę tnącą (19), przekładki (18) i nową tarczę tnącą (17).

- Mocno dokręcić zewnętrzną podkładkę kołnierзовą (15) kluczem do podkładki (16).
- Zwolnić przycisk blokady wrzeciona (5).
- Zamontować osłonę (6).
- Unieść podstawę (7) i dokręcić pokrętko zabezpieczające (3).
- Mocno dokręcić śruby imbusowe (12) kluczem imbusowym (13).

4. OBSŁUGA

Regulacja szerokości bruzdy (rys. B - E)

Szerokość bruzdy można ustawić przekładkami umieszczonymi między tarczami tnącymi. Liczba przekładek między tarczami tnącymi określa szerokość bruzdy.



- Nie ustawiać szerokości bruzdy podczas użytku.
- Zawsze montować co najmniej jedną przekładkę między tarczami tnącymi.

- Określić szerokość bruzdy.
- Zamontować przekładki (18) wokół tarcz tnących (17 i 19) w wymaganej kolejności. Patrz rozdział „Wymiana tarcz tnących”.

Regulacja głębokości bruzdy (rys. A i F)

Zakres regulacji głębokości bruzdy wynosi od 5 do 40 mm. Głębokość bruzdy można odczytać na podziałce (4).



Nie ustawiać głębokości bruzdy podczas użytku.

- Poluzować pokrętko zabezpieczające (3).
- Przechylić podstawę (7) w żądane położenie. Ustawić głębokość bruzdy około 3 mm większą od żądanej głębokości, aby skompensować ewentualne nierówności powierzchni ściany.
- Dokręcić pokrętko zabezpieczające (3).

Włączanie i wyłączanie (rys. A)

- Aby włączyć urządzenie, należy wcisnąć przycisk blokady (2) i jednocześnie nacisnąć przełącznik wł./wył. (1).
- Aby wyłączyć urządzenie, zwolnić przełącznik wł./wył. (1).

Korzystanie z lasera (rys. A)

- Aby włączyć laser (23), należy nacisnąć przełącznik wł./wył. (24).

- Aby wyłączyć laser (23), należy zwolnić przełącznik wł./wył. (24).

Ochrona przed przeciążeniem

Narzędzie jest wyposażone w ochronę przed przeciążeniem, która automatycznie je wyłącza w razie przeciążenia narzędzia.

- Wyłączyć narzędzie.
- Zdjąć narzędzie z obrabianego elementu.
- Włączyć narzędzie.
- Uruchomić narzędzie bez obciążenia na około 1 minutę, aby pozwolić mu ostygnąć.

Odsysanie pyłu (rys. G)

Używać narzędzia wyłącznie wtedy, gdy jest podłączone do odsysacza przeznaczanego do usuwania pyłu kamiennego. Odsysacz pyłu musi być przeznaczony do pracy z obrabianym materiałem. Używać specjalnego odsysacza podczas pracy z materiałami toksycznymi lub wtedy, gdy podczas pracy powstaje toksyczny pył.



- *Nigdy nie używać domowego odkurzacza. Korzystanie z domowego odkurzacza może łatwo prowadzić do uszkodzenia odkurzacza oraz uszczerbku na zdrowiu.*
- *Zawsze używać adaptera do odsysania pyłu.*
- *Dopilnować, aby wąż odkurzacza był solidnie przymocowany do adaptera do odsysania pyłu.*
- *Jeśli odsysacz się zepsuje, niezwłocznie przerwać pracę, wyłączyć narzędzie, odłączyć wtyczkę zasilania z gniazdka sieciowego i podjąć próbę usunięcia problemu.*

- Włożyć adapter odsysania pyłu (22) w złącze odsysania pyłu (9).
- Podłączyć wąż odsysacza do adaptera do odsysania pyłu (22).

Porady dotyczące optymalnego użytkowania

- Narysować linie, aby określić kierunek prowadzenia tarczy tnących.
- Trzymać maszynę obiema rękami. Trzymać drugą dłoń na uchwycie pomocniczym (11).
- Ustawić szerokość bruzdy.
- Wykonać jedną z poniższych czynności:
 - Przybliżyć narzędzie do ściany i ustawić głębokość bruzdy (zalecane). Przyłożenie narzędzia do ściany i opuszczenie tarcz tnących

na ścianę pozwala dokładniej ustawić głębokość bruzdy.

- Ustawić głębokość bruzdy i opuścić narzędzie do ściany.
- Przyłożyć narzędzie z wałkiem prowadzącym (8) do ściany. Dopilnować, aby tarcze tnące były ustawione na liniach narysowanych na ścianie.
- Ustawić głębokość bruzdy.
- Włączyć narzędzie.
- Poczekać, aż maszyna osiągnie maksymalne obroty.
- Powoli przesuwając narzędzie wzdłuż narysowanych wcześniej linii, mocno dociskając wałek prowadzący (8) do ściany (rys. H).
- Nie naciskać narzędzia za mocno. Pozwolić mu wykonać swoją pracę.
- Wyłączyć narzędzie i poczekać, aż całkowicie się zatrzyma przed jego odłożeniem.

5. KONSERWACJA



Zawsze odłączać narzędzie od zasilania sieciowego przed rozpoczęciem przeprowadzania jakichkolwiek prac konserwacyjnych.

Czyścić obudowę maszyny regularnie miękką ściereczką, najlepiej po każdym użyciu. Dopilnować, aby otwory wentylacyjne były wolne od pyłu, kurzu i zabrudzeń. Usuwać odporne zabrudzenia miękką ściereczką zwilżoną mydlinami. Nie używać żadnych rozpuszczalników, takich jak benzyna, alkohol, amoniak itp. Takie substancje chemiczne spowodują uszkodzenie części z tworzyw sztucznych.

Wymiana baterii (rys. I)

Do obsługi lasera używane są 2 baterie AAA. Jeśli laser przestanie działać, należy wymienić baterie.

- Zdjąć osłonę (26) z pojemnika na baterie (25).
- Wyjąć stare baterie (27).
- Włożyć nowe baterie (27).
- Założyć osłonę (27) na pojemnika na baterie (25).

ŚRODOWISKO



Uszkodzone i/lub niepotrzebne urządzenia elektryczne lub elektroniczne podlegają zbiórce w odpowiednich punktach recyklingu.

Tylko kraje WE

Nie wyrzucać elektronarzędzi wraz z odpadami z gospodarstw domowych. Zgodnie z dyrektywą

2012/19/EU dotyczącą zużytych urządzeń elektrycznych i elektronicznych oraz jej wdrożeniem do prawodawstwa krajowego, elektronarzędzia, które już nie nadają się do użytku, podlegają oddzielnej zbiórce oraz utylizacji w sposób przyjazny dla środowiska. Produkt i instrukcja obsługi podlegają zmianom. Dane techniczne podlegają zmianom bez uprzedzenia.

GWARANCJA

Produkty VONROC są wytwarzane zgodnie z najwyższymi standardami jakości i producent udziela gwarancji na wady materiałowe i wady wykonania na okres wymagany prawem, licząc od dnia zakupu. Jeśli wystąpi usterka produktu w tym okresie spowodowana wadą materiałową i/lub wadą wykonania, proszę bezpośrednio skontaktować się ze sprzedawcą VONROC.

Następujące okoliczności powodują unieważnienie gwarancji:

- Przeprowadzono naprawy lub modyfikacje narzędzia w serwisie innym lub autoryzowany lub podjęto ich próbę;
- Normalne zużycie nie jest objęte gwarancją;
- Narzędzie było używane niezgodnie z przeznaczeniem, źle z nim się obchodzono lub było nieprawidłowo konserwowane;
- Użyto części zamiennych innych niż oryginalne.

Niniejsza gwarancja to wyłączna gwarancja producenta i nie obowiązują żadne inne wyrażone ani dorozumiane gwarancje. Nie obowiązują żadne inne wyrażone ani dorozumiane gwarancje o zakresie przekraczającym niniejszą gwarancję, co obejmuje dorozumiane gwarancje przydatności do sprzedaży i przydatności do określonego celu. W żadnym przypadku firma VONROC nie ponosi odpowiedzialności za straty przypadkowe lub wynikowe. Zadośćuczynienie sprzedawcy jest ograniczone do naprawy lub wymiany niezgodnych urządzeń lub części.

Produkt i instrukcja obsługi podlegają zmianom. Dane techniczne podlegają zmianom bez uprzedzenia.

1. GÜVENLİK TALİMATLARI

Ekteki güvenlik uyarılarını, ilave güvenlik uyarılarını ve talimatları okuyun. Güvenlik uyarılarını ve talimatları izlememek elektrik çarpması, yangın ve/veya ciddi yaralanma ile sonuçlanabilir. Güvenlik uyarılarını ve talimatları gelecekte referans olması için saklayın.

Aşağıdaki semboller kullanıcı kılavuzunda veya ürün üzerinde kullanılmaktadır:



Kullanıcı kılavuzunu okuyun.



Bedensel yaralanma riski.



Elektrik çarpması riski



Şebeke kablosu temizlik ve bakım sırasında hasar görürse şebeke fişini hemen prizden çıkarın.



Güvenlik eldivenleri giyin. Duyma koruması takın.



Bir toz maskesi takın.



Uçan nesne riski. Seyircileri iş alanından uzak tutun.



Sınıf II makine - Çift yalıtım - Topraklı fiş ihtiyacınız yoktur.



Lazer radyasyonu uyarısı.



Ürünü uygun olmayan kaplara atmayın.



Ürün, Avrupa yönergelerinde belirtilen, yürürlükteki güvenlik standartlarına uygundur.

GENEL ELEKTRIKLI ALET GÜVENLİK UYARILARI



UYARI Tüm güvenlik uyarılarını ve tüm talimatları okuyun. Uyarılara uyulmadı ve talimatlar elektrik çarpmasına, yangına ve/veya ciddi yaralanmalara neden olabilir.

Tüm uyarıları ve talimatları gelecekte başvurmak üzere saklayın. Uyarılardaki "elektrikli alet" terimi, şebeke elektriği ile çalışan (kablolu) elektrikli alet veya pil ile çalışan (kablosuz) elektrikli alet anlamına gelir.

1) İş aşanı güvenliği

- a) **İş alanını temiz ve aydınlık tutun.** Dağınık veya karanlık bölgeler, kazalara davetiye çıkarır.
- b) **Elektrikli aletleri, yanıcı sıvıların, gazların veya tozun var olduğu patlayıcı atmosferlerde kullanmayın.** Elektrikli aletler, tozu veya dumanları ateşleyebilecek kıvılcımlar oluşturur.
- c) **Bir elektrikli aleti kullanırken, çocukları ve çevredekileri uzak tutun.** Dikkatiniz dağılırsa kontrolü kaybedebilirsiniz.

2) Elektrik güvenliği

- a) **Elektrikli alet fişleri, prize uygun olmalıdır. Fişi, hiçbir şekilde modifiye etmeyin. Topraklı elektrikli aletlerle, herhangi bir fiş adaptörü kullanmayın.** Modifiye edilmemiş fişler ve buna uygun prizler, elektrik çarpması riskini azaltır.
- b) **Borular, radyatörler, ocaklar ve buzdolapları gibi topraklı yüzeylerle temastan kaçının.** Eğer vücudunuz topraklanmışsa, elektrik çarpması riski daha fazla olur.
- c) **Elektrikli aletleri yağmura veya ıslaklığa maruz bırakmayın.** Bir elektrikli alete su girmesi durumunda, elektrik çarpması riski artacaktır.
- d) **Kabloya kötü davranmayın. Kabloyu taşıma amacıyla, elektrikli aleti ya da elektrikli aletin fişini çekmek için kullanmayın. Kabloyu ısıdan, yağdan, keskin kenarlardan ya da hareketli parçalardan uzak tutun.** Hasar görmüş ya da do-laşmış kablolar, elektrik çarpması riskini artırır.
- e) **Bir elektrikli aleti dış mekanlarda kullanırken, dış mekan kullanımına uygun bir uzatma kablosu kullanın.** Dış mekan kullanımına uygun ir kablo kullanıldığında, elektrik çarpması riski azalır.
- f) **Elektrikli aleti nemli bir konumda çalıştırmak kaçınılmazsa, kaçak akım cihazı (RCD) korumalı bir kaynak kullanın.** RCD kullanımı elektrik çarpması riskini azaltır.

3) Kişisel güvenlik

- a) **Elektrikli aleti kullanırken tetikte kalın, ne yaptığınıza dikkat edin ve sağduyulu davranın. Bir elektrikli aleti yorgun olduğunuzda ya da uyuşturucu, alkol veya ilaç etkisindenken kullanmayın.** Elektrikli aleti kullanırken bir anlık dikkatsizlik ciddi kişisel yaralanmalara neden olabilir.
- b) **Kişisel koruyucu donanım kullanın. Her zaman göz koruması takın.** Uygun durumlar için kullanılan toz maskesi, kaymaz güvenlik ayakkabıları, baret veya kulak tıkacı gibi koruyucu donanımlar, kişisel yaralanma riskini azaltacaktır.

- c) **Kasıtsız çalışmayı önleyin. Bir elektrik kaynağını ve/veya pil takımını bağlamadan, aleti kaldırmadan ya da taşımadan önce elektrikli aletin anahtarının kapalı durumda olduğundan emin olun.** Elektrikli aletleri parmağınız anahtar üzerindeyken taşımak veya anahtarı açık elektrikli aletleri harekete geçirmek kazalara davetiye çıkarır.
- d) **Elektrikli aleti açık duruma getirmeden önce her türlü ayar anahtarını çıkarın.** Elektrikli aletin dönen bir parçasında kalan bir anahtar, kişisel yaralanmalara neden olabilir.
- e) **Fazla uzanmayın. Ayaklarınızı sağlam basın ve her zaman dengeli olun.** Böylece beklenmeyen durumlarda elektrikli aleti daha iyi kontrol edebilirsiniz.
- f) **Uygun kıyafetler giyin. Bol kıyafetler giymeyin, takılar takmayın. Saçınızı, kıyafetlerinizi ve eldivenlerinizi, hareketli parçalardan uzak tutun.** Bol kıyafetler, takılar veya uzun saç, hareketli parçalara takılabilir.
- g) **Eğer cihazlar toz giderme ve toplama tesislerinin bağlantısı için sağlanmışsa, bunların bağlandığından ve düzgün bir şekilde kullanıldığından emin olun.** Toz toplama ile tozla ilgili tehlikeleri azaltılabilir.
- h) **Aletlerin sık kullanılmasından edindiğiniz bilgi birikiminin sizi aşırı rehavete sürüklemesine izin vermeyin ve araç güvenliği ilkelerini göz ardı etmeyin.** Dikkatsiz bir hareket, bir saniyeden bile kısa sürede ciddi yaralanmalara neden olabilir.

4) Elektrikli alet kullanımı ve bakımı

- a) **Elektrikli aleti zorlamayın. Uygulamanız için doğru elektrikli aleti kullanın.** Doğru elektrikli alet, tasarım amacına uygun olarak işi daha iyi yapacaktır.
- b) **Eğer anahtarlar açılıp kapatılamıyorsa, elektrikli aleti kullanmayın.** Anahtarla kumanda edilemeyen elektrikli aletler tehlikelidir ve tamir edilmelidir.
- c) **Herhangi bir ayar, aksesuar değişimi ya da depolama işleminden önce elektrikli aletin fişini elektrik kaynağından çıkarın ve/veya pil takımını elektrikli aletten çıkarın.** Bu tür önleyici güvenlik önlemleri, elektrikli aletin kazara çalışma riskini azaltır.
- d) **Boş durumdaki elektrikli aletleri çocukların erişemeyeceği bir yerde muhafaza edin ve elektrikli aletin nasıl çalıştığını ya da bu talimatları bilmeyen kişilerin elektrikli aleti kullanmasına izin vermeyin.** Elektrikli aletler, eğitimsiz kullanıcıların elinde tehlikeli olur.

- e) **Elektrikli aletlerin bakımını yapın. Hatalı ayarlar veya hareketli parçaların bağlanması, parça kırılmaları ve elektrikli aletin çalışmasını etkileyebilecek diğer durumlar için kontrol gerçekleştirin. Eğer herhangi bir hasar varsa, elektrikli alet kullanılmadan önce tamir edilmelidir. Çoğu kazaya bakımı iyi yapılmayan elektrikli aletler neden olur.**
- f) **Kesme aletlerini keskin ve temiz tutun.** Bakımı iyi yapılan ve keskin kenarlara sahip kesme aletlerinde donmalar daha az yaşanır ve kontrol edilmeleri daha kolay olur.
- g) **Elektrikli aleti, aksesuarlarını ve torna kalemlemini bu talimatlara uygun olarak kullanın, çalışma koşullarını ve gerçekleştirilecek olan işi dikkate alın.** Elektrikli aletin kullanım amacı dışında kullanılması, tehlikeli durumlarla sonuçlanabilir.
- h) **Tutamakları ve tutma yerlerini kuru, temiz ve yağdan arındırılmış şekilde muhafaza edin.** Kaygan tutamaklar ve tutma yerleri, beklenmedik durumlarda aletin güvenli şekilde taşınmasına ve kontrol edilmesine izin vermez.
- 5) **Pilli alet kullanımı ve bakımı**
- a) **Yalnızca üretici tarafından belirtilen şarj aletiyle şarj edin.** Bir türde pil takımı için uygun bir şarj cihazı, başka bir pil takımı ile kullanıldığında yangın riski oluşturabilir.
- b) **Elektrikli aletleri yalnızca özel olarak belirlenmiş pil takımlarıyla kullanın.** Başka pil takımlarının kullanımı yaralanma ve yangın riski oluşturabilir.
- c) **Pil takımı kullanılmadığı zamanda, ataşlar, bozuk paralar, anahtarlar, çiviler, vidalar veya diğer küçük metal nesnelere gibi bir uçtan diğerine bir bağlantı yapabilecek diğer metal nesnelere uzak tutun.** Pil uçlarını birbirine kısa devre yaptırmak yanıklara veya yangına neden olabilir.
- d) **Bozulma durumlarında pilden sıvı çıkabilir; temastan kaçının. Kazara temas gerçekleşirse, suyla yıkayın. Sıvı gözlerle temas ederse ayrıca tıbbi yardım isteyin.** Pilden çıkan sıvı tahrişe veya yanıklara neden olabilir.
- e) **Hasarlı veya üzerinde değişiklik yapılmış bir batarya veya aleti kullanmayın.** Hasarlı veya üzerinde değişiklik yapılmış bataryalar, yangın, patlama ya da yaralanma riskiyle sonuçlanan beklenmedik davranışlar sergileyebilir.
- f) **Batarya veya aleti ateşe veya aşırı sıcaklığa maruz bırakmayın.** Ateşe veya 130 °C üzeri si-

caklıklara maruz kalması patlamaya yol açabilir. NOT Sıcaklık birimi olarak kullanılan „130 °C“ yerine „265 °F“ kullanılabilir.

- g) **Tüm şarj talimatlarına uyun ve batarya veya aleti talimatlarda belirtilen sıcaklık aralığının dışındaki ortamlarda şarj etmeyin.** Yanlış şekilde veya belirtilen aralığın dışındaki sıcaklıklarda şarj etmek bataryaya zarar verebilir ve yangın riskini artırabilir.

6) Servis

- a) **Elektrikli aletinizin servis işlemlerini, yalnızca aynı yedek parçaları kullanan vasıflı bir tamircinin yapmasını sağlayın.** Bu, elektrikli aletin güvenliğinin korunmasını sağlayacaktır.
- b) **Hasarlı bataryalara asla kendiniz bakım yapmaya çalışmayın.** Bataryadaki bakım işlemleri sadece üretici veya yetkili servisler tarafından yapılmalıdır.

KANAL AÇMA MAKİNESİ İÇİN İLAVE GÜVENLİK UYARILARI

- **Lazer radyasyonu uyarısı.** Lazer sınıfı 2, P maks.: <1 mW, λ: 650 nm, EN 60825-1:2014. Doğrudan lazer ışınına veya ortaya çıktığı çıkış yerine bakmayın. Lazer ışınına asla insanlara, hayvanlara veya yansıtıcı yüzeylere doğrultmayın. Kısa süreli göz teması bile göz hasarına neden olabilir. Lazer çıkış açıklığının optik aletlerin (örneğin büyüteç, büyüteçler ve benzeri) kullanılmasıyla incelenmesi, göze zarar gelmesi riskini doğurur. Sınıf 2 bir lazerle çalışırken, göz koruması kullanımına dönük ulusal düzenlemelere uyun.
- Asbest içeren malzemelerle çalışmayın. Asbest kanserojen olarak kabul edilir.
- Koruyucu gözlük, kulaklık takın ve örneğin eldiven, güvenlik ayakkabıları vb. gibi diğer güvenlik önlemlerini alın.
- Kullanmadan önce duvardaki tüm çivileri ve diğer metal nesnelere çıkarın.
- Duvarlarda kanal açarken gömülü boru ve kabloları dikkat edin.
- Makineyi daima iki elle tutun.
- Kesinlikle makineyi sipersiz kullanmayın.
- Kullanmadan önce kesme disklerini kontrol edin. Eğilmiş, kırık veya başka bir şekilde hasar görmüş kesme disklerini kullanmayın.
- Kesme disklerinin uygun şekilde monte edildiğinden emin olun.
- Kesme disklerinin doğru yönde döndüğünden

emin olun.

- Makineyi, kesme diskleri yukarı veya yana baka- cak şekilde kullanmayın.
- Sadece makineyle kullanılmaya uygun kesme diskleri kullanın.
- Sadece uygun ebatlara sahip kesme diskleri kullanın.
- Kesme disklerinden başka aksesuarları kullan- mayın.
- Makineyi, kesme disklerinin maksimum kanal derinliğini aşan bir kanal derinliği gerektiğinde kullanmayın.
- Ellerinizi dönen parçalara temas etmediğinden emin olun.
- Daima doğru çalışma yönünde çalışın (tabanda- ki göstergeye bakın).
- Kesme disklerini monte ettikten sonra, makineyi güvenli bir yerde yüksüz çalıştırın. Makine ku- vvetlice titreirse, hemen makineyi kapatın, ana fişi çekin ve sorunu çözmeye çalışın.
- Makine durduktan sonra kesme disklerinin kısa bir süre dönmeye devam ettiğine dikkat edin. Kesme disklerini kendi başınıza hareketsiz hale getirmeye çalışmayın.
- Makineyi asla kapatmadan bir masa veya tezgah- a koymayın.

Geri tepme

Geri tepme, kesme diskleri beklenmedik bir şekilde bir nesneye dokunduğunda kesme disklerinin yu- karı ve aşağı hareket etmesidir. Makineyi kullanım sırasında iki elle sıkıca tutun. Tüm dikkatinizi iş üzerinde yoğunlaştırın.

Geri tepme genellikle şunlardan kaynaklanır:

- dönen kesme disklerinin istemeden sert nesne- ler veya materyallere dokunması;
- körelmiş kesme diskleri;
- düzgün takılmamış kesme diskleri;
- önceden yapılmış bir kesim üzerinden kesim yapma;
- çalışırken dikkatsiz davranma;
- dengesiz duruş.

Elektrik güvenliği



Daima güç kaynağı geriliminin anma değerleri plakasındaki gerilime karşılık gelip gelmediğini kontrol edin.

- Güç kaynağı kablosu veya şebeke fişi hasar görmüşse makineyi kullanmayın.

- Sadece makinenin güç değerleri açısından uy- gun, minimum 1,5 mm2 kalınlığa sahip uzatma kabloları kullanın. Bir uzatma kablosu makarası kullanıyorsanız kabloyu daima tam olarak açın.

2. MAKİNE BİLGİSİ

Kullanım amacı

Kanal açma makinesi duvarlarda kanal yapmak için tasarlanmıştır. Makine sadece sağ elle kullanım için uygundur.

TEKNİK SPESİFİKASYONLAR

Model No.	WC502AC
Şebeke voltajı	230V~
Şebeke frekansı	50Hz
Güç girişi	1700W
Yüksüz hız	4000 dak ⁻¹
Kanal genişliği	14/19/29mm
Kanal derinliği	5-40mm
Kesme disk	
Çap:	150mm
İç çap:	22,2mm
Dingil dişi	M12
Koruma sınıfı	IP20
Ağırlık	5,1kg
Ses basıncı L _{PA}	85,3 dB(A)
Akustik güç L _{WA}	96,3 dB(A)
Belirsizlik (K)	3 dB(A)
Titreşim (ana tutamak)	7,214 m/s ²
Titreşim (ilave tutamak)	5,843 m/s ²
Belirsizlik (K)	1,5 m/s ²



Duyma koruması takın.

Vibrasyon seviyesi

Bu talimat kılavuzunda belirtilen vibrasyon emisyon seviyesi EN 60745 içinde verilen bir standart teste uygun olarak ölçülmüştür; bir aleti başka bir aletle karşılaştırmak için ve aleti adı geçen uygulamalar için kullanırken bir ilk maruz kalma değerlendirmesi olarak kullanılabilir

- aleti farklı uygulamalar için veya farklı ya da kötü bakılan aksesuarlarla kullanmak maruz kalma seviyesini büyük ölçüde artırabilir

- aletin kapalı olduğu veya çalışıp da gerçekten işi yapmadığı zamanlar maruz kalma seviyesini büyük ölçüde azaltabilir

Aletin ve aksesuarların bakımını yaparak, ellerinizi sıcak tutarak ve çalışma düzenlerinizi organize ederek vibrasyonun etkilerine karşı kendinizi koruyun

AÇIKLAMA

Metindeki numaralar sayfa 2 - 5'teki şemaları işaret etmektedir.

1. Açma / kapama düğmesi
2. Kilitleme düğmesi
3. Kanal derinliği için kilitleme düğmesi
4. Kanal derinliği ölçeği
5. Mil kilidi düğmesi
6. Siper
7. Taban
8. Kılavuz silindiri
9. Toz çıkış bağlantısı
10. Ana tutamak
11. İlave tutamak
12. Allen vidaları
13. Allen anahtarı
14. Mil
15. Dış flanş
16. Flanş anahtarı
17. Kesme disk
18. Ara parçaları
19. Kesme disk
20. Mil kovanı
21. İç flanş
22. Toz tahliye adaptörü
23. Lazer
24. Lazer için açma/kapama düğmesi
25. PİL bölmesi

3. MONTAJ



Montajdan önce daima makineyi kapatın ve fişini prizden çıkarın.

Kesme disklerinin değiştirilmesi (Şekil B - D)

Aşınmış veya hasar görmüş kesme diskleri derhal değiştirilmelidir.



- Sadece keskin ve hasarsız kesme diskleri kullanın.
- Sadece çalışılacak malzemeye uygun kesme diskleri kullanın.
- Sadece, makinenin maksimum yüksüz hızına eşit veya bu değerinin üstünde maksimum izin verilen hızda kesme diskleri kullanın.
- Sadece kuru kesim için uygun olan elmas kesme disklerini kullanın.
- Her iki kesme diskini daima aynı anda değiştirin.
- Asla siperi çıkarmaya kalkışmayın.

- Makineyi dengeli bir zemine koyun.
- Allen vidalarını (12) Allen anahtarı (13) kullanarak gevşetin.
- Kilitleme düğmesini (3) gevşetin ve tabanı indirin (7).
- Siperi (6) çıkartın.
- Mili (14) kilitlemek için mil kilitleme düğmesini (5) basılı tutun.
- Dış flanş (15) flanş anahtarı (16) kullanarak gevşetin. Gevşetmek için saat yönünde çevirin. Sıkmak için saat yönünün tersine çevirin.
- Eski kesme diskini (17), ara parçaları (18), eski kesme diskini (19), mil kovanını (20) ve iç flanş (21) çıkarın.
- Gerekirse, flanşları (15 & 21) temizleyin.
- İç flanş (21), mil kovanını (20), yeni kesme diskini (19), ara parçaları (18) ve yeni kesme diskini (17) takın.
- Dış flanş (15) flanş anahtarı (16) kullanarak iyice sıkın.
- Mil kilidi düğmesini (5) bırakın.
- Siperi (6) monte edin.
- Tabanı (7) kaldırın ve kilitleme düğmesini (3) sıkın.
- Allen vidalarını (12) Allen anahtarı (13) kullanarak iyice sıkın.

4. ÇALIŞTIRMA

Kanal genişliğinin ayarlanması (Şekil B - E)

Kanal genişliği, kesme diskleri arasındaki ara parçaları kullanılarak ayarlanabilir. Kesme diskleri arasındaki ara parçalarının sayısı, kanal genişliğini belirler.



- Kanal genişliğini kullanım sırasında ayarlamayın.

- Kesme diskleri arasına daima en az bir ara parçası yerleştirin.
- Kanal genişliğini belirleyin.
- Ara parçaları (18) kesme disklerinin etrafına (17 ve 19) gereken sırayla yerleştirin. "Kesme disklerinin değiştirilmesi" bölümüne bakın.

Kanal derinliğinin ayarlanması (Şekil A - F)

Kanal derinliği 5 ve 40 mm arasında değişir. Kanal derinliği ölçekten (4) okunabilir.



Kanal derinliğini kullanım sırasında ayarlamayın.

- Kilitleme düğmesini (3) gevşetin.
- Tabanı (7) gerekli konuma eğin. Duvar yüzeyindeki olası dengesizliği telafi etmek için kanal derinliğini gerekli derinliğin yaklaşık 3 mm altına bir değere ayarlayın.
- Kilitleme düğmesini (3) sıkın.

Açma ve kapama (şekil A)

- Makineyi çalıştırmak için, kilitleme düğmesini (2) basılı tutun ve eş zamanlı olarak açma/kapama düğmesine (1) basın.
- Makineyi kapamak için açma/kapama anahtarını (1) bırakın.

Lazerin kullanılması (Şekil A)

- Lazeri çalıştırmak için açma/kapama düğmesine (24) basın.
- Lazeri kapatmak için açma/kapama düğmesini (24) bırakın.

Aşırı yük koruması

Makine, aşırı yüklendiğinde otomatik olarak makineyi kapatan bir aşırı yük koruma cihazına sahiptir.

- Makineyi kapatın.
- Makineyi iş parçasından çıkarın.
- Makineyi açın.
- Makinenin soğumasını sağlamak için makineyi yaklaşık 1 dakika yüksüz çalıştırın.

Toz tahliyesi (şekil G)

Makineyi yalnızca taş tozu için onaylanmış bir vakum cihazına bağlıyken kullanın. Vakum cihazı, çalışılacak malzemeye uygun olmalıdır. Toksik maddelerle çalışırken veya zehirli tozların ortaya çıktığı yerlerde özel bir vakum cihazı kullanın.



- Kesinlikle ev tipi bir elektrikli süpürge kullanmayın. Ev tipi bir elektrikli süpürge kullanımı hem sağlığınıza hem de elektrikli süpürgeye zarar verebilir.
- Her zaman toz tahliye adaptörünü kullanın.
- Vakum cihazı hortumunun toz tahliye adaptörüne sıkıca bağlandığından emin olun.
- Vakum cihazı bozulursa işi derhal durdurun, makineyi hemen kapatın, ana fişi prizden çekin ve sorunu çözmeye çalışın.

- Toz tahliye adaptörünü (22) toz tahliye bağlantısına (9) takın.
- Vakum cihazının hortumunu toz tahliye adaptörüne (22) bağlayın.

İdeal kullanım için ipuçları

- Kesme disklerinin ilerleyeceği yönü belirlemek için bir çizgi çizin.
- Makineyi iki elle tutun. İkinci elinizi ilave tutamağın (11) üzerinde tutun.
- Kanal genişliğini ayarlayın.
- Aşağıdaki adımlardan birini yerine getirin:
 - Makineyi duvara doğru indirin ve kanal derinliğini ayarlayın (önerilir). Kanal derinliğini daha doğru ayarlamak için makine duvara karşı yerleştirilir ve kesme diskleri duvara indirilir.
 - Kanal derinliğini ayarlayın ve makineyi duvara indirin.
- Makineyi, kılavuz silindiri (8) duvara konumlandırın. Kesme disklerinin duvara çizilen çizgilerle aynı hizada olduğundan emin olun.
- Kanal derinliğini ayarlayın.
- Makineyi açın.
- Makine tam hıza ulaşana dek bekleyin.
- Makineyi önceden çizilmiş çizgiler boyunca yukarıdan aşağıya doğru yavaşça hareket ettirin, kılavuz silindiri (8) duvara sıkıca bastırın (şekil H).
- Makine üzerinde çok fazla basınç uygulamayın. İş makinenin yapmasına izin verin.
- Makineyi kapatın ve makineyi bir kenara koymadan önce makinenin tamamen durmasını bekleyin.

4. BAKIM



Temizlik ve bakımdan önce her zaman makineyi kapatın ve şebeke fişini şebeke den çekin.

Makine kaplamalarını yumuşak bir bezle, tercihen her kullanımdan sonra düzenli olarak temizleyin. Havalandırma deliklerinin toz ve kirden arınmış olduğundan emin olun. Çok inatçı kirleri sabun köpüğüyle ıslatılmış yumuşak bir bezle çıkarın. Benzin, alkol, amonyak vs. gibi çözücü maddeleri kullanmayın. Bunlar gibi kimyasallar sentetik bileşenlere zarar verecektir.

Pillerin değiştirilmesi (şek. I)

Lazer 2 adet AAA pil kullanır. Lazer durursa pilleri değiştirmelisiniz.

- Kapağı (26) bataryadan çıkarın bölmesi (25).
- Eski pilleri (27) çıkartın.
- Yeni pilleri (27) yerleştirin.
- Kapağı (27) aküye monte edin bölmesi (25).

ÇEVRE



Arızalı ve/veya atılmış elektrikli veya elektronik ekipmanların uygun geri dönüşüm konumlarında toplanması gerekir.

Yalnızca AT ülkeleri için

Elektrikli aletleri evsel atık olarak atmayın. Atık Elektrikli ve Elektronik Donanım için Avrupa İlkeleri 2012/19/EU'ya ve bunun yerel hukuk çerçevesinde uygulamasına göre, artık kullanılamaz olan elektrikli aletler ayrı olarak toplanmalı ve çevre dostu bir yolla imha edilmelidir.

GARANTİ

VONROC ürünleri yüksek kalite standartları doğrultusunda geliştirilmiştir ve ilk satın alımdan itibaren kanunen belirlenen süre boyunca materyal ve işçilik açısından kusursuz olacağı garanti edilmektedir. Bu süre zarfında, kusurlu materyal ve/veya işçilikten dolayı üründe herhangi bir arıza meydana gelmesi durumunda, doğrudan VONROC iletişim kurun.

Takip eden durumlar bu garanti kapsamı dışındadır:

- Yetkisiz servis merkezleri tarafından yapılan veya yapılmaya teşebbüs edilen onarım ve/veya değişiklikler.
- Normal aşınma ve eskime.
- Cihazın kötü ve yanlış kullanılması veya cihaza yanlış bakım yapılması.
- Orijinal olmayan yedek parçaların kullanılması

Bu, şirket tarafından açık ya da zımnı verilmiş tek garantiyi oluşturur. Belirli bir amaç için ticarete elverişlilik ve uygunluğun zımnı garantileri dahil dış görünüşünün ötesine uzanan açık veya zımnı başka hiçbir garanti yoktur. VONROC herhangi bir arıza veya dolaylı zarardan hiçbir halükarda sorumlu olmayacaktır. Bayilerin getireceği çözümler uygunsuz birimlerin veya parçaların onarımı veya değiştirilmesiyle sınırlı olacaktır.

Ürün ve kullanıcı kılavuzu değişikliğe tabidir.

Spesifikasyonlar başka bir uyarı olmaksızın değiştirilebilir.



DECLARATION OF CONFORMITY WC502AC - WALL CHASER

- (EN) We declare under our sole responsibility that this product is in conformity with directive 2011/65/EU of the European parliament and of the council of 8 June on the restriction of the use of certain hazardous substances in electrical and electronic equipment is in conformity and accordance with the following standards and regulations:
- (DE) Der Hersteller erklärt eigenverantwortlich, dass dieses Produkt der Direktive 2011/65/ EU des Europäischen Parlaments und des Rats vom 8. Juni 2011 über die Einschränkung der Anwendung von bestimmten gefährlichen Stoffen in elektrischen und elektronischen Geräten entspricht, den folgenden Standards und Vorschriften entspricht:
- (NL) Wij verklaren onder onze volledige verantwoordelijkheid dat dit product voldoet aan de conform Richtlijn 2011/65/EU van het Europees Parlement en de Raad van 8 juni 2011 betreffende beperking van het gebruik van bepaalde gevaarlijke stoffen in elektrische en elektronische apparatuur en in overeenstemming is met de volgende standaarden en reguleringen:
- (FR) Nous déclarons sous notre seule responsabilité que ce produit est conforme aux standards et directives suivants: est conforme à la Directive 2011/65/EU du Parlement Européen et du Conseil du 8 juin 2011 concernant la limitation d'usage de certaines substances dangereuses dans l'équipement électrique et électronique.
- (ES) Declaramos bajo nuestra exclusiva responsabilidad que este producto cumple con las siguientes normas y estándares de funcionamiento: se encuentra conforme con la Directiva 2011/65/UE del Parlamento Europeo y del Consejo de 8 de junio de 2011 sobre la restricción del uso de determinadas sustancias peligrosas en los equipos eléctricos y electrónicos.
- (IT) Dichiariamo, sotto la nostra responsabilità, che questo prodotto è conforme alle normative e ai regolamenti seguenti: è conforme alla Direttiva 2011/65/UE del Parlamento Europeo e del Consiglio dell'8 giugno 2011 sulla limitazione dell'uso di determinate sostanze pericolose nelle apparecchiature elettriche ed elettroniche.
- (PL) Deklarujemy na własną odpowiedzialność, że ten produkt spełnia wymogi zawarte w następujących normach i przepisach: jest zgodny z Dyrektywą 2011/65/UE Parlamentu Europejskiego i Rady z dnia 8 czerwca 2011 r. w sprawie ograniczenia stosowania niektórych niebezpiecznych substancji w sprzęcie elektrycznym i elektronicznym.
- (TR) Tek sorumlusu biz olmak üzere bu ürünün Avrupa Parlamentosunun 2011/65/EU ve 8 Haziran 2011 tarihli konseyin elektrikli ve elektronik ekipmanlarda belirlenmiş tehlikeli malzeme kullanımının kısıtlanması hakkındaki talimatları ile birlikte aşağıda belirtilen standart ve yönergelere uygun ve uyumlu olduğunu beyan ederiz:

**EN 55014-1, EN 55014-2, EN 60745-1, EN 60745-2-22, EN 61000-3-2, EN 61000-3-3,
2014/30/EU, 2006/42/EC, 2012/19/EU, 2011/65/EU**

Zwolle, 01-03-2020

H.G.F Rosberg
CEO

VONROC - Lingenstraat 6 - 8028 PM Zwolle - The Netherlands



VONROC®
BUILD YOUR FUTURE

©2020 VONROC
WWW.VONROC.COM

2003-17