

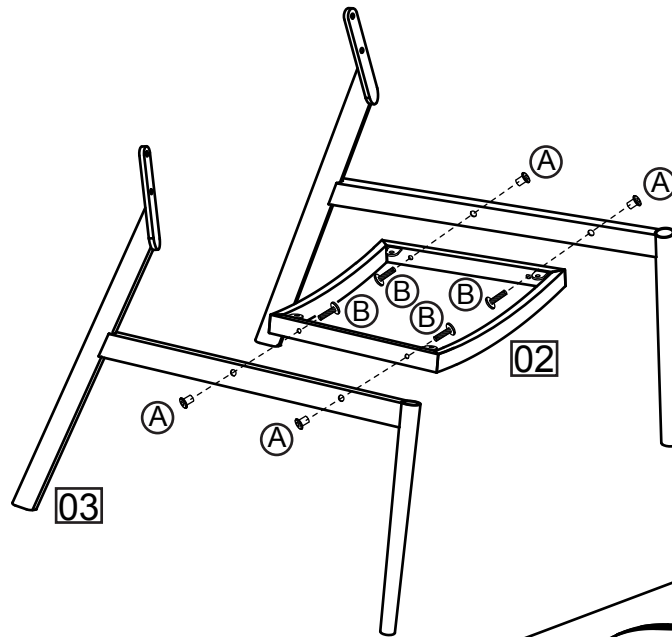
# LOUNGE CHAIR SPIKE

ZUIVER<sup>o</sup>

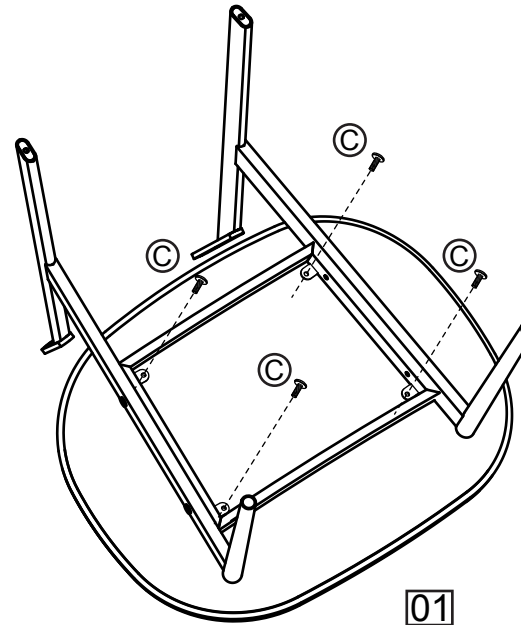
## COMPONENT PARTS

## FITTINGS

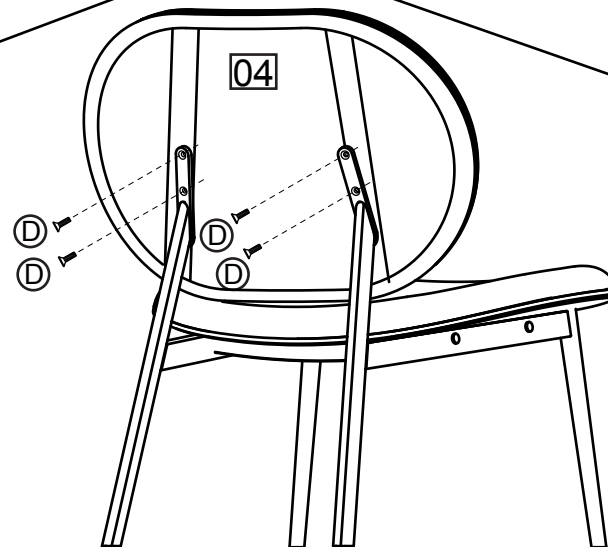
Step1


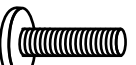
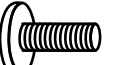



Step2



Step3




- (A)  ×4  
(M6×12MM×φ9MM)
- (B)  ×4  
(M6×30MM)
- (C)  ×4  
(M6×20MM)
- (D)  ×4  
(M6×20MM)

## COMPONENT CHECKLIST

PART	No.	Qty.	
Seat	01	1	<input type="checkbox"/>
Tray	02	1	<input type="checkbox"/>
Leg	03	2	<input type="checkbox"/>
Backrest	04	1	<input type="checkbox"/>

## TOOLS REQUIRED

-  ×2  
Allen key (supplied)