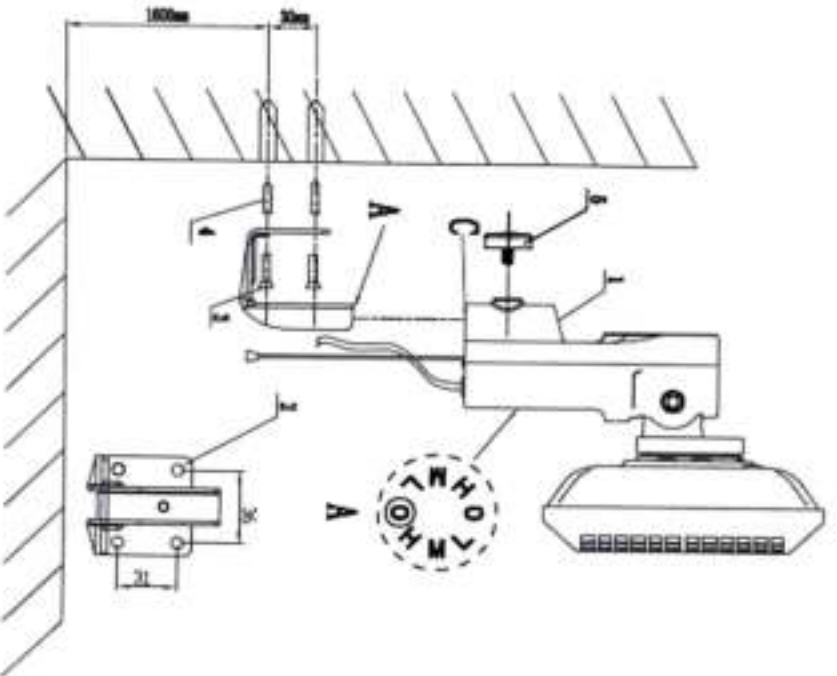


## Instruction Manual

### AH20AW / SH20AW



| Part List |                  |
|-----------|------------------|
| No.       | Part Name        |
| 1         | Control Box      |
| 2         | Wall Bracket     |
| 3         | Tapping Screw    |
| 4         | Plastic Plug     |
| 5         | Screw Knob M6*12 |

- Cautions:**
- Children aged from 3 years and less than 8 years shall only switch on/off the appliance provided that it has been placed or installed in its intended normal operating position and they have been given supervision or instruction concerning use of the appliance in a safe way and understand the hazards involved. Children aged from 3 years and less than 8 years shall not plug in, regulate and clean the appliance or perform user maintenance.
  - CAUTION** – Some parts of this product can become very hot and cause burns. Particular attention has to be given where children and vulnerable people are present.
  - The heater must not be located immediately below a socket-outlet.
  - Do not use the heater with a programmer, timer or any other device that switches the heater on automatically, since a fire risk exists if the heater is covered or positioned incorrectly.
  - Do not use this heater in the immediate surroundings of a bath, a shower or a swimming pool.
  - Do not place the unit close to curtain and/or other flammable objects. Otherwise there will be a danger of catching fire.
  - Do not cover the unit with anything during operation or a short time after it's shut down.
  - Do not wrap the power supply cord on the unit.
  - Do not use this unit in place where causticity or volatile air exists, i.e. dust, steam, gas, etc.
  - Do not use this unit as a cloth drier or towel drier.
  - Do not use this unit as a sauna heater.
  - Do not use this unit as a room heater or heat storing.
  - Do not use this unit in place of animal propagating and raising.
  - Do not use this unit in heating system of hot air centre.
  - The unit is at high temperature during operation. It keeps hot for a period after shut down. Potential danger would occur when touching it during this period.
  - The unit must be handled with care, and avoid of vibration or hitting.
  - The unit must be securely grounded during operation.
  - When damaged, the unit must be repaired by professional repairing team.
  - If the supply cord is damaged, it must be replaced by the manufacturer, its service agent or similarly qualified persons in order to avoid a hazard.
  - When assembling, keep clear from any board or flammable material.
  - This appliance is not intended for use by persons (including children) with reduced physical, sensory or mental capabilities, or lack of experience and knowledge, unless they have been given supervision or instruction concerning use of the appliance by a person responsible for their safety.
  - The unit is for household use only. It's not allowed to use in building site, greenhouses, barn or stable where there's flammable dust.
  - The head of the unit is at high temperature during operation. Unplugging the unit and wait till it's cool before cleaning.
  - The unit should be plugged in a socket, which is easily visible and reachable.

**WARNING:**

This heater is not equipped with a device to control the room temperature. Do not use this heater in small rooms when they are occupied by persons not capable of leaving the room on their own, unless constant supervision is provided.

**Preparation:**

1. Prepare a cross head screw driver.
2. Read this instruction manual carefully before installation and use. Keep this instruction manual in a proper and safe place for future use in case needed.

**Installation:**

1. Drill 4 wholes positioned as shown above. Insert Plastic Plug (#4), (4 PCs totally) to the holes respectively. Align Wall Bracket (#2) to the holes, and then fix it with Tapping Screw (#3).
2. Insert the wall bracket into the hole (Section C) of Control Box. Fix them with the Screw Knob M6\*12 (#5).

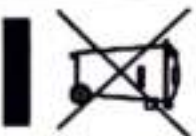
**Operations:**

1. Plug in the unit to a socket. Make sure the power supply is same as rated.
2. Pull down the string to switch on the unit. As indicated in Figure A, it's off when "O" exists; It's at low power when "L" exists; It's at medium power when "M" exists; It's at high power when "H" exists.

## Disposal of appliances and batteries

After the implementation of the European Directive 2002/96/EC in the national legal system, the following applies:

Electrical and electronic devices may not be disposed of with domestic waste. Consumers are obliged by law to return electrical and electronic devices at the end of their service lives to the public collecting points set up for this purpose or point of sale. Details to this are defined by the national law of the respective country. This symbol on the product, the instruction manual or the package indicates that a product is subject to these regulations. By recycling, reusing the materials or other forms of utilising old devices, you are making an important contribution to protecting our environment.



Unplug the unit before cleaning. It should be wiped with wet cloth. Do not use too much water.

**Note:**

Please visit <http://sdrv.ms/15Z0WN> to view or download this instruction manual in case needed.

Manufacturer: Zhongshan Scientific Electric Manufacturing Company Limited  
Address: 42 Industrial Avenue, Nanlou, Zhongshan, Guangdong, China

Cleaning: