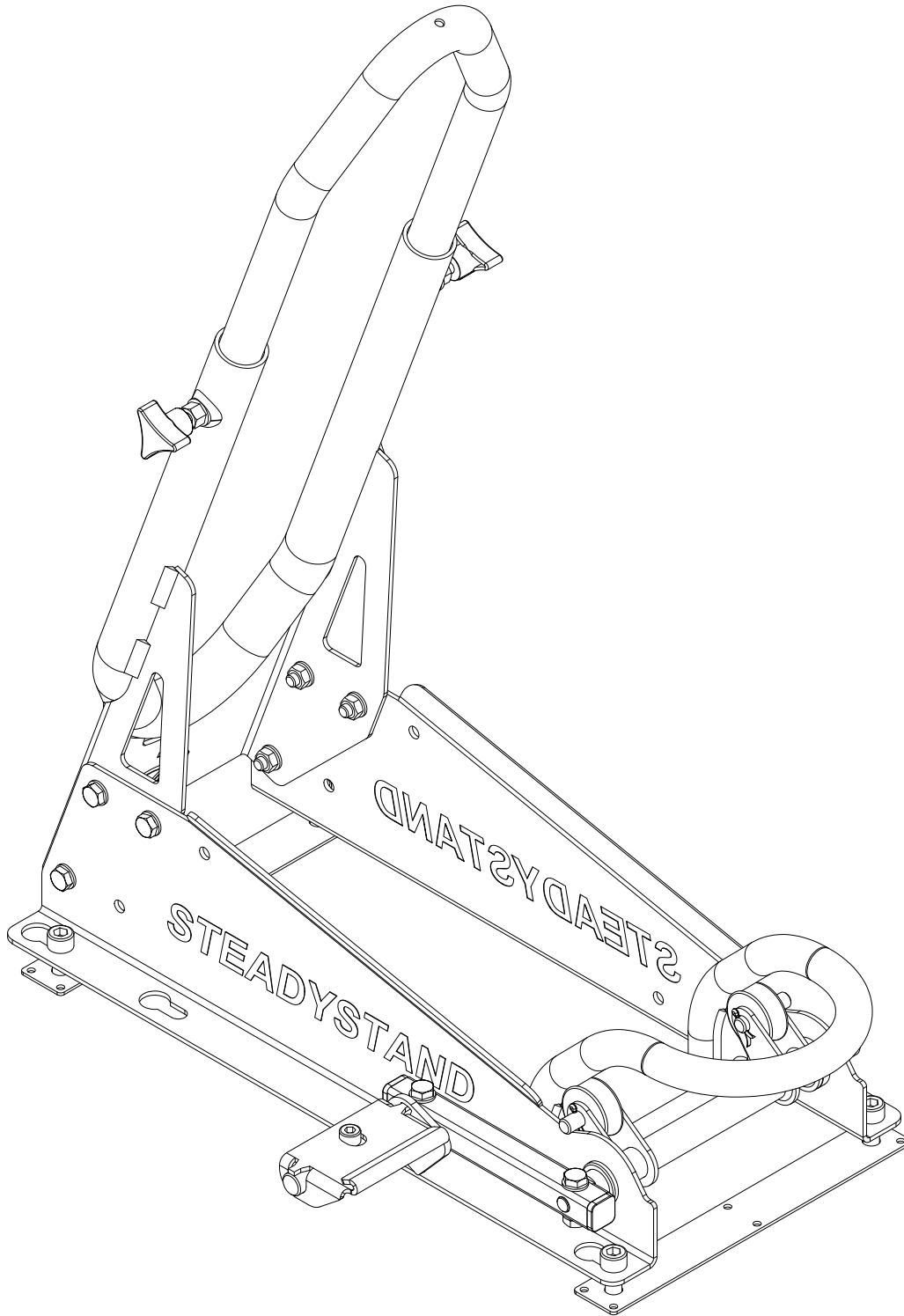


STEADYSTAND[®] Cross

With foot pedal lock system

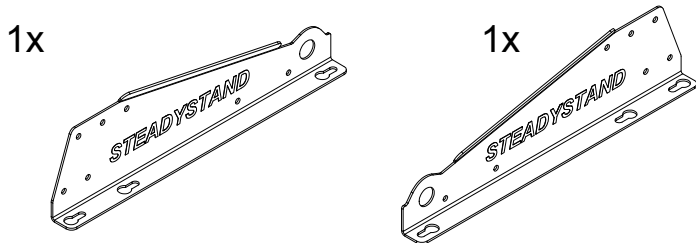
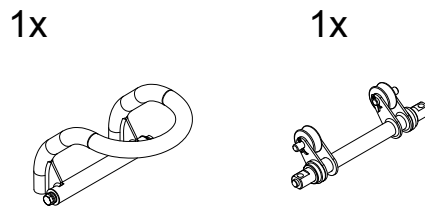
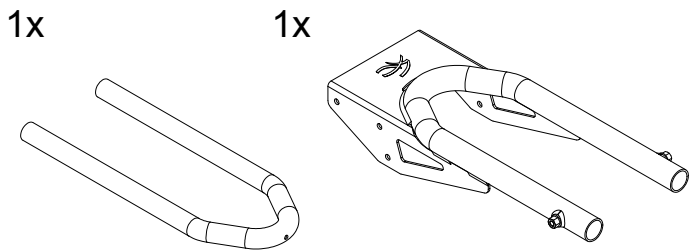
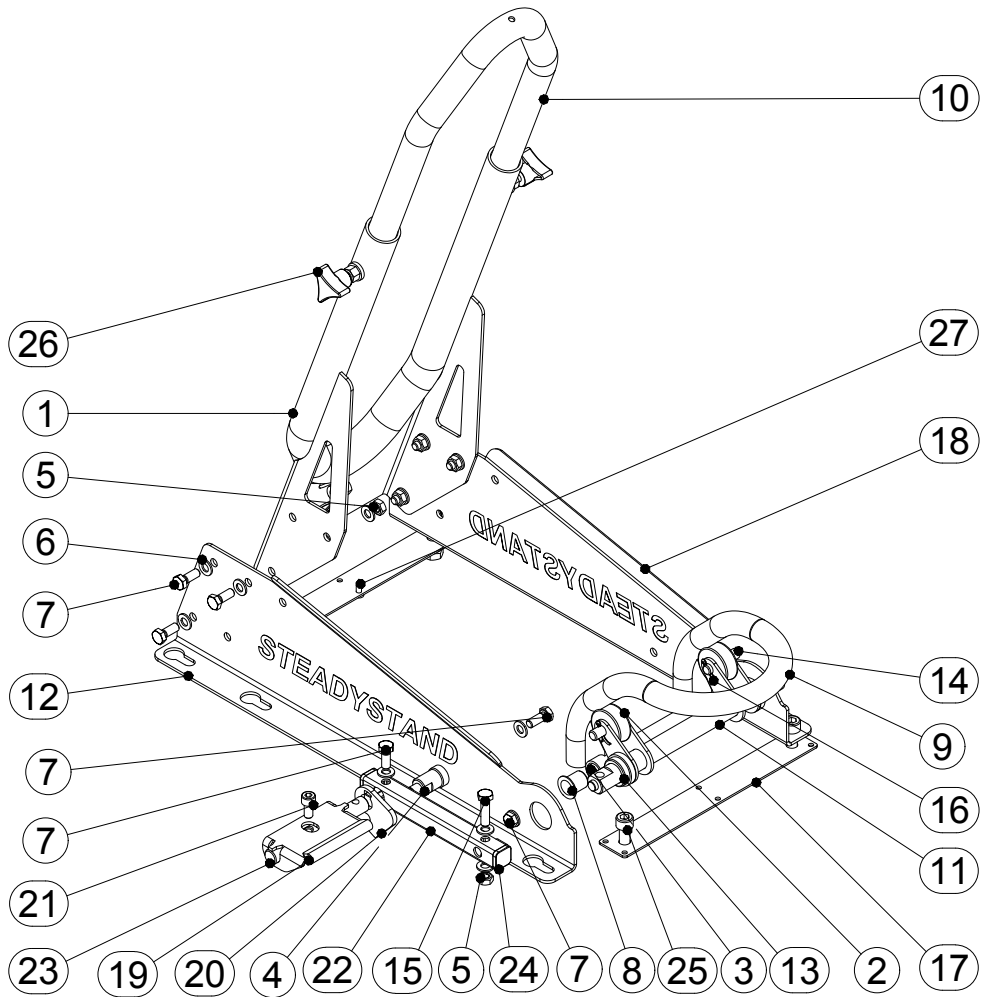


ENG: Please understand, that AceBikes cannot be held responsible for any consequential loss or damage due to an improper assembly or use of the product.

DE: Bitte, haben Sie Verständnis dafür, dass AceBikes keine Haftung für Folgeschaden übernimmt, die durch eine unsachgemäße beziehungsweise mangelhafte Montage entstehen.

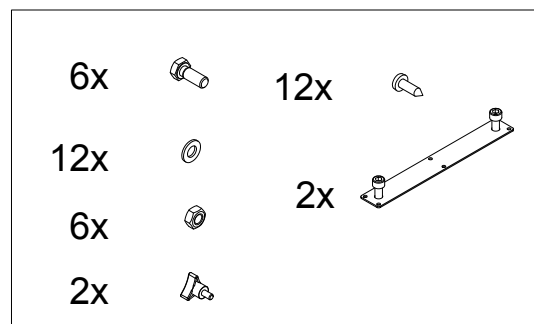
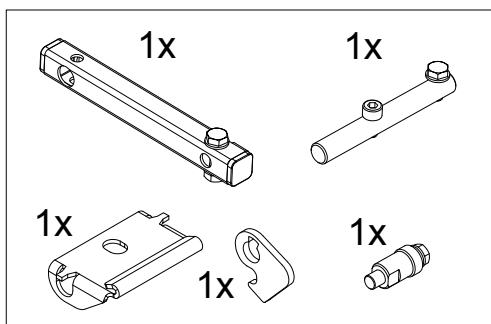
FR: Veuillez comprendre que AceBikes ne peut être tenu pour responsable des dommages consécutifs à un montage ou une utilisation incorrecte.

27	12	Plywood Screw
26	2	Star Knob
25	4	Din912 M10x30
24	2	Tube cap 20x20
23	1	Shaft padel
22	1	Tube 20x20
21	1	Din912 M8x16
20	1	Fixation plate
19	1	Padel
18	1	Sideframe Left
17	2	Nut plate
16	4	Slit pin 2.5x16
15	1	Bolt M8x30
14	2	Shaft roller
13	2	Bearing 20
12	1	Sideframe Right
11	1	Shaft roller
10	1	Front tube 2
9	1	Clamping tube rear
8	2	Bearing 1517/20
7	10	Bolt M8x20
6	18	Washer 8
5	7	Hex nut M8
4	1	Axle end
3	1	Shaft 15
2	2	Roller
1	1	Front tube 1
lte	QTY	Description

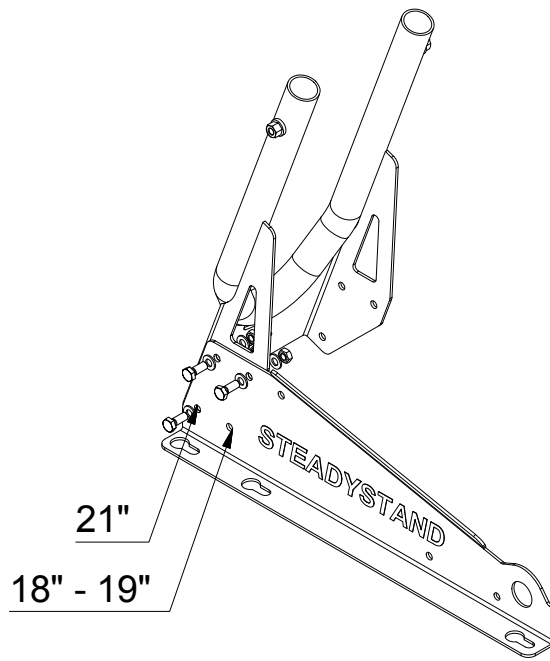
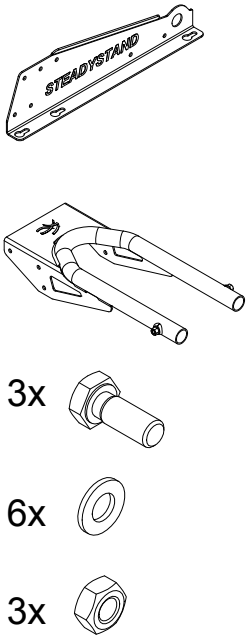


Bag 1

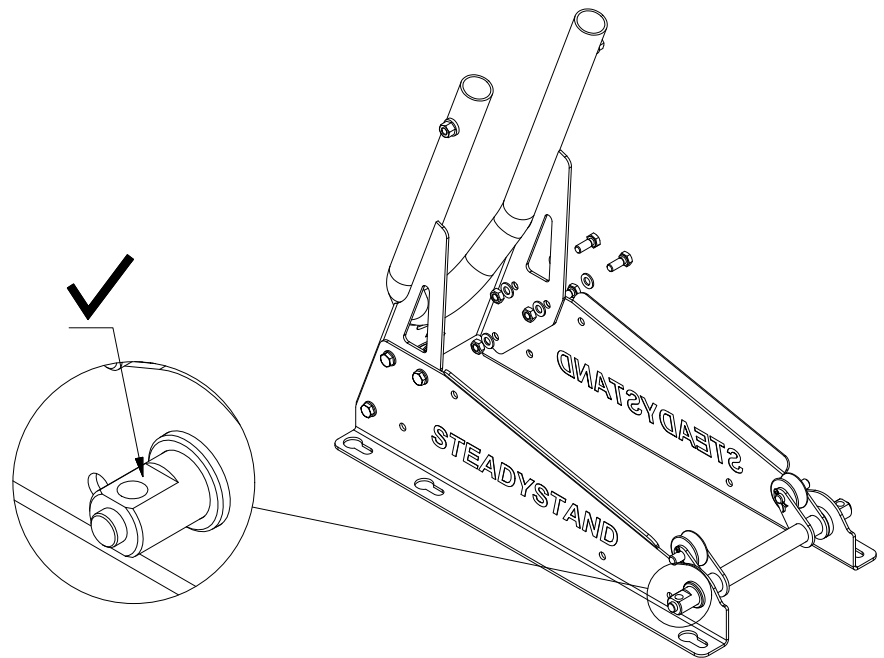
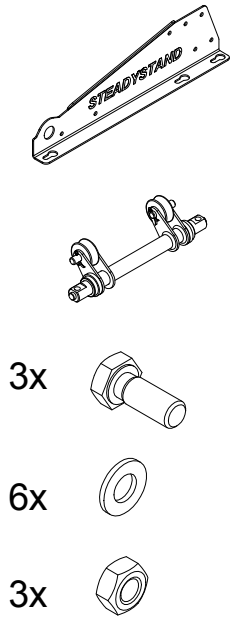
Bag 2



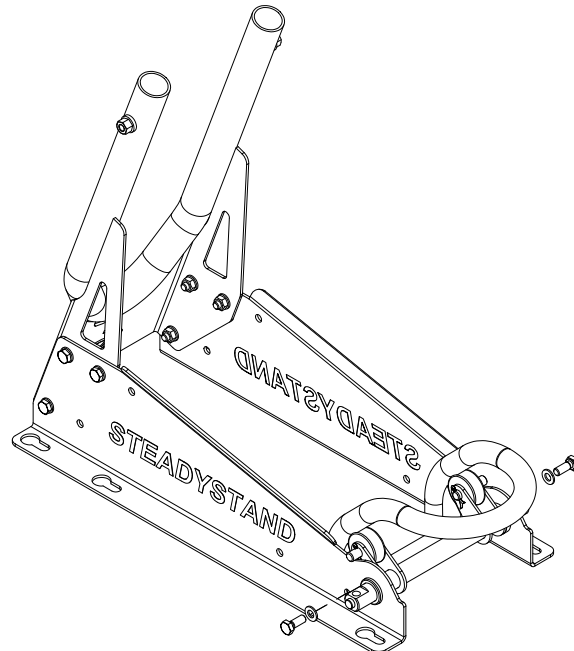
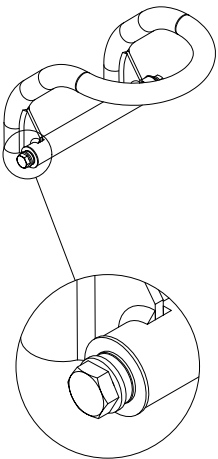
1



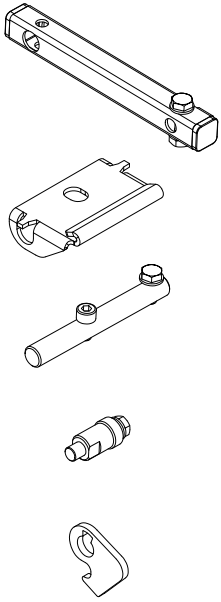
2



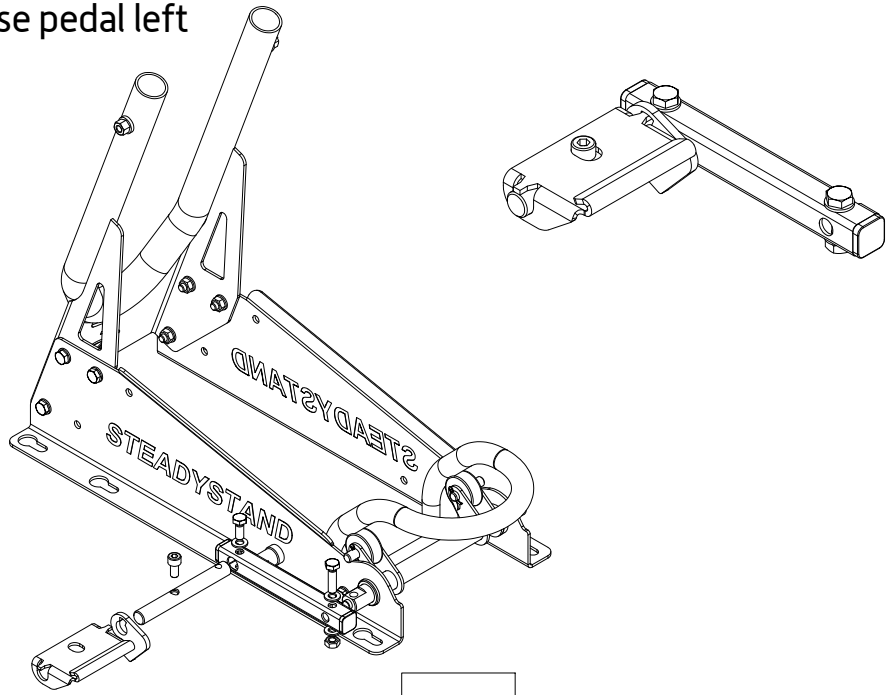
3



4

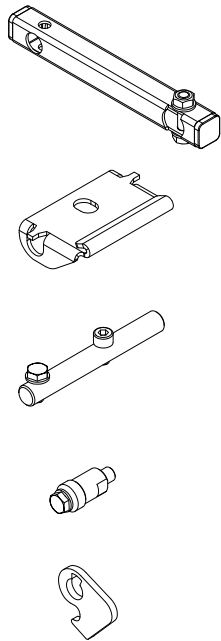


Choise pedal left

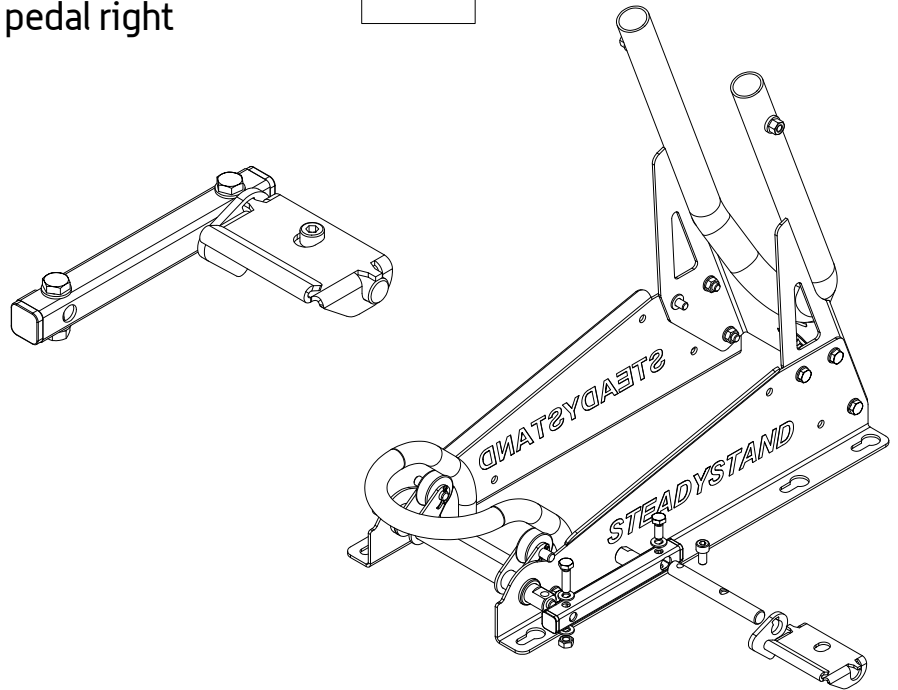


OR

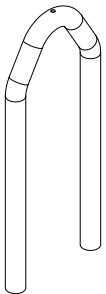
5



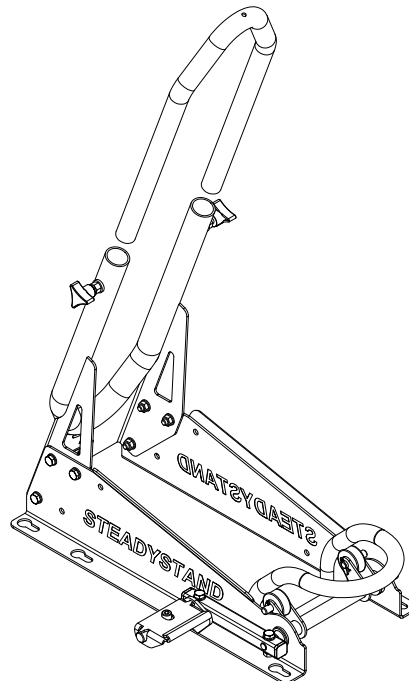
Choise pedal right



6

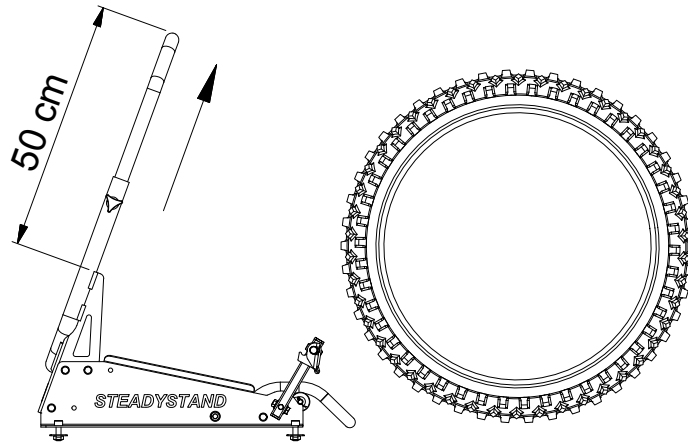


2x

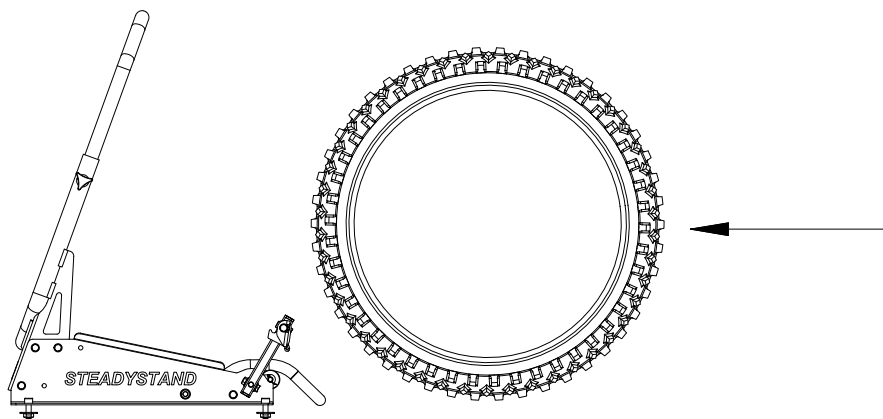


First time adjustment

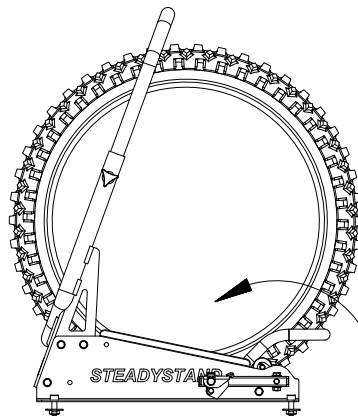
Step 1



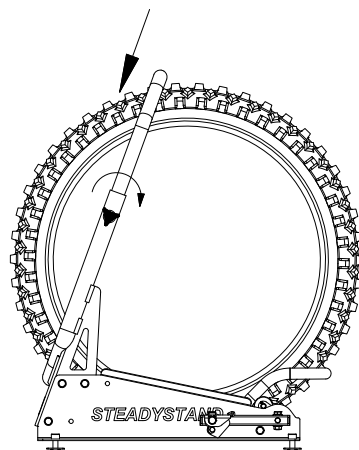
Step 2



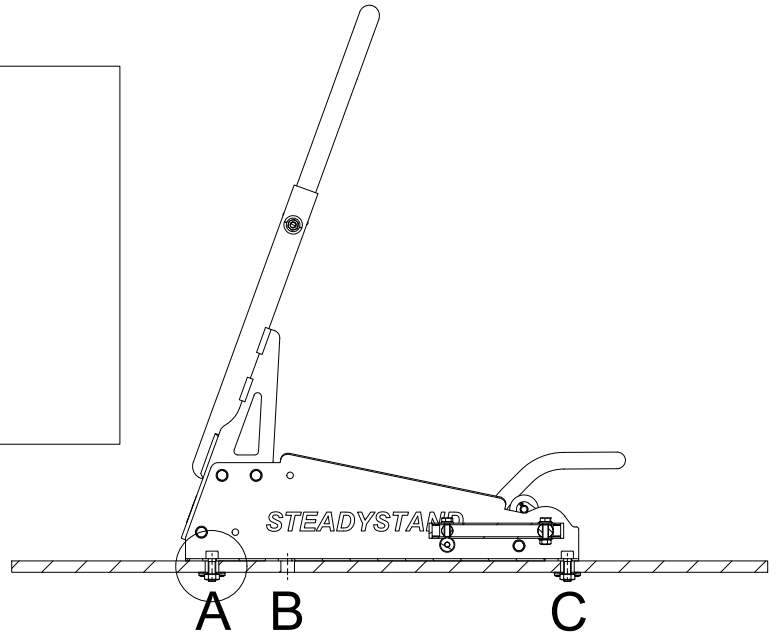
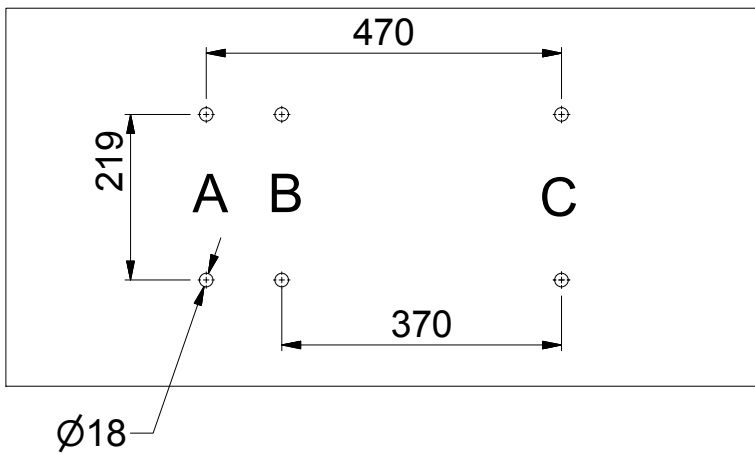
Step 3



Step 4



Mounting instructions Steadystand Cross

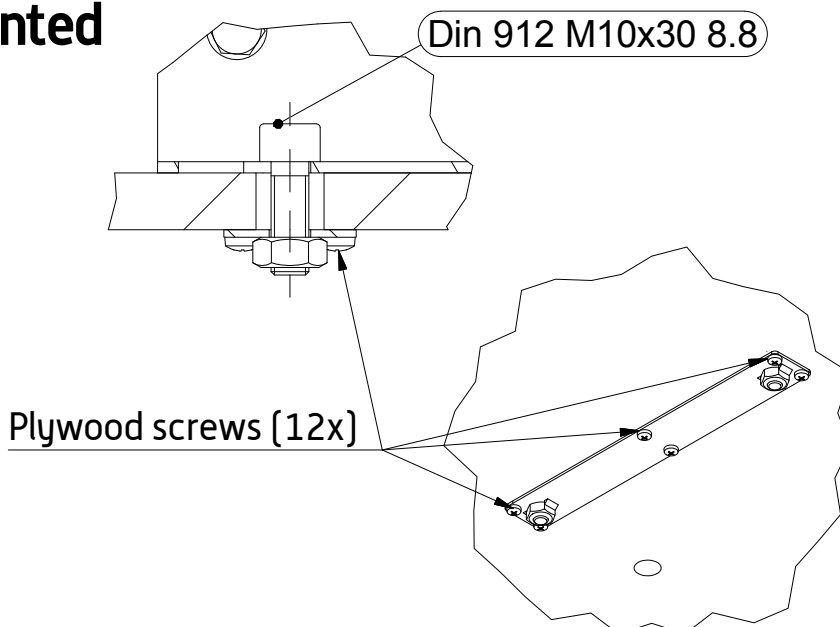


- a - Place the Cross stand on the trailer floor.
- b - Drive your bike in and place the cross stand on right position.
- c - Use the Cross stand for marking the holes. Use position A or B and always C.
- d - Drill 4 holes of 18 mm into the floor.

Note: The required floor panel thickness should be at least 15 mm.
When the floor panel is more than 15 mm thick, use longer bolts.
Always use 8.8 quality bolts.

- e - Mount the Cross stand on the floor with the 2 nut plates.
- f - Make sure that the 4 bolts are in the center of each 18 mm hole.
- h - Fix the nut plate underneath the floor with 12 plywood screws from bag 2.

Mounted



After removing

