



**VONROC®**

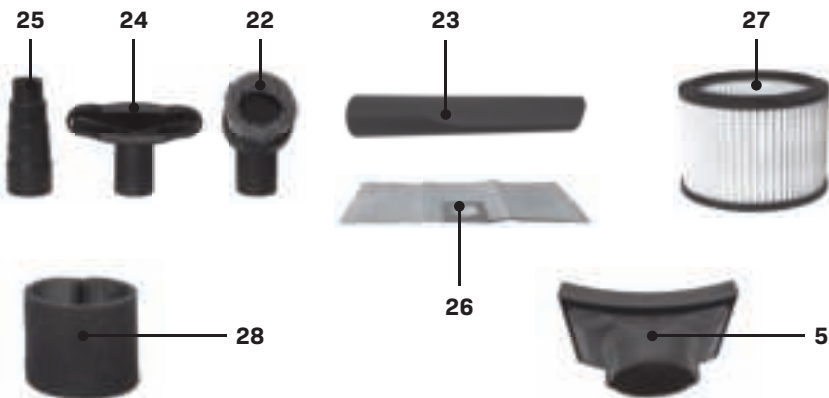
BUILD YOUR FUTURE

## WET & DRY VACUUM CLEANER VC506AC



<b>EN</b>	Original Instructions	05
<b>DE</b>	Übersetzung Der Originalbetriebsanleitung	11
<b>NL</b>	Vertaling van de oorspronkelijke gebruiksaanwijzing	17
<b>FR</b>	Traduction de la notice originale	23
<b>ES</b>	Traducción del manual original	30
<b>IT</b>	Traduzione delle istruzioni originali	36
<b>SV</b>	Översättning av bruksanvisning i original	43
<b>DA</b>	Oversættelse af den originale brugsanvisning	48
<b>PL</b>	Tłumaczenie instrukcji oryginalnej	54
<b>RO</b>	Traducere a instrucțiunilor originale	60

A



B-1



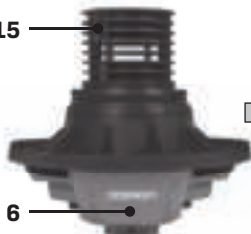
B-2



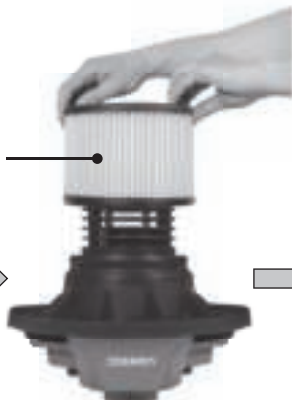
C-1



15



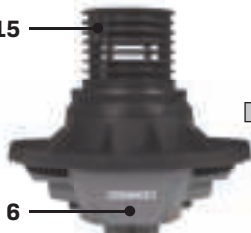
27



C-2

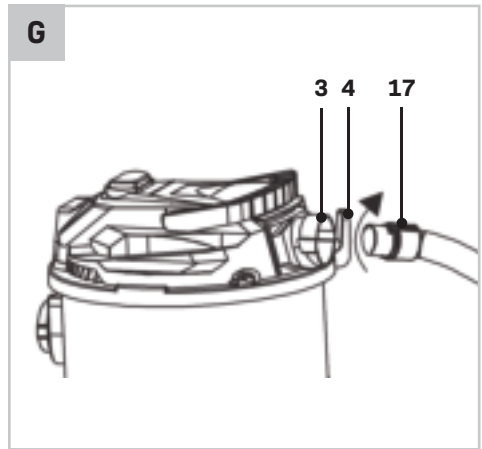
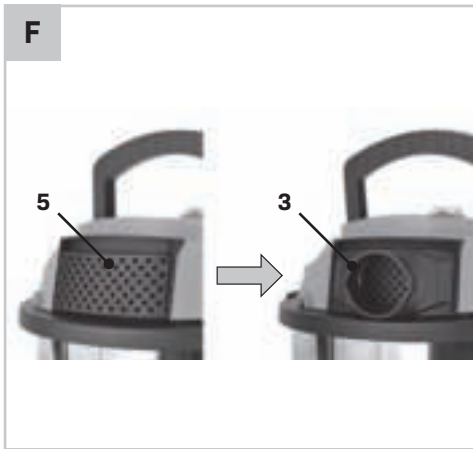
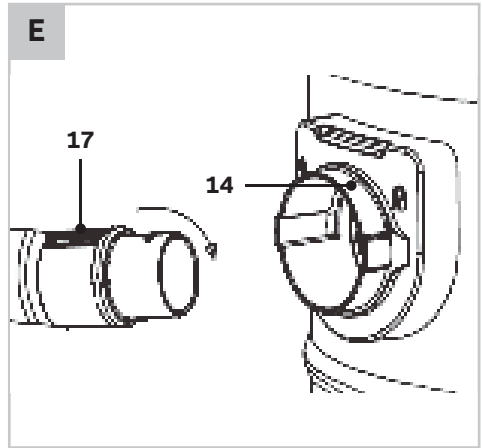
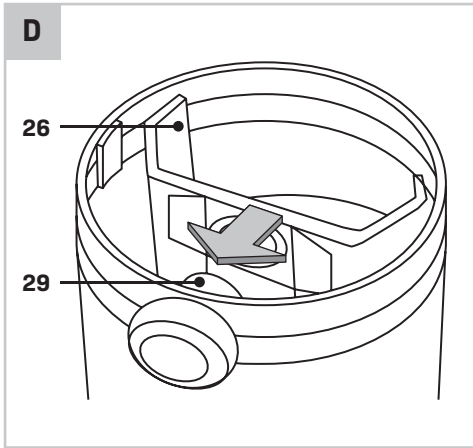


15



28





## 1. SAFETY INSTRUCTIONS

Read the enclosed safety warnings, the additional safety warnings and the instructions. Failure to follow the safety warnings and the instructions may result in electric shock, fire and/or serious injury. Save the safety warnings and the instructions for future reference.

The following symbols are used in the user manual or on the product:



*Read the user manual.*



*Denotes risk of personal injury, loss of life or damage to the tool in case of nonobservance of the instructions in this manual.*



*Risk of electric shock.*



*Immediately remove the mains plug from the mains if the mains cable becomes damaged and during cleaning and maintenance.*



*Class II machine - Double insulation - You don't need any earthed plug.*



*If the temperature of the material exceeds 40°C, there is a risk of fire.*



*Do not dispose of the product in unsuitable containers.*



*The product is in accordance with the applicable safety standards in the European directives.*

### SAFETY NOTES

THIS APPLIANCE CAN BE USED BY CHILDREN AGED FROM 8 YEARS AND ABOVE AND PERSONS WITH REDUCED PHYSICAL, SENSORY OR MENTAL CAPABILITIES OR LACK OF EXPERIENCE AND KNOWLEDGE IF THEY HAVE BEEN GIVEN SUPERVISION OR INSTRUCTION CONCERNING USE OF THE APPLIANCE IN A SAFE WAY AND UNDERSTAND THE HAZARDS INVOLVED. CHILDREN SHALL NOT PLAY WITH THE APPLIANCE. CLEANING AND USER MAINTENANCE SHALL NOT BE MADE BY CHILDREN WITHOUT SUPERVISION. IF THE SUPPLY CORD IS DAMAGED, IT MUST BE REPLACED BY THE MANUFACTURER, ITS SERVICE AGENT OR SIMILARLY QUALIFIED PERSON

IN ORDER TO AVOID A HAZARD. THE PLUG MUST BE REMOVED FROM THE SOCKET/OUTLET BEFORE CLEANING OR MAINTAINING THE APPLIANCE.

- 1) Keep your work area clean: Cluttered work areas and workbenches are a source of injury.
- 2) The vacuum cleaner should be properly assembled before use.
- 3) Use only extension cords approved for outdoor use (when the vacuum is used outside) and make sure that they are always in good condition.
- 4) Protect the electric cables and, in particular, make sure that they are not crushed, pulled, or damaged by edges, sharp pieces, or moving parts; or damaged by corrosive liquids.
- 5) Do not use a damaged extension cord. Do not make any permanent or temporary repairs to the cable itself.
- 6) Do not use a vacuum cleaner that has a damaged electric cord. Have a new cable installed by an authorised service center.
- 7) Do not attach anything else to the socket, electric cords, or extension cord.
- 8) Before plugging your vacuum cleaner into the electrical outlet, make sure that the voltage and the outlet requirements match what is indicated on the label next to the cord.
- 9) Do not pull the device by the cord.
- 10) Your machine should always be turned off before unplugging it from the outlet or the extension cord.
- 11) Before leaving the device unsupervised (even for a brief time) turn it off and unplug it from the electrical outlet. This should also be done if there is a loss of power.
- 12) Do not underestimate its power. Always maintain a balanced and stable stance.
- 13) Keep children and pets away from the machine. When the machine is operating, everyone should stay at a safe distance.
- 14) The device should not be used by children or by persons who are not familiar with the device or who have not read this instruction manual.
- 15) The user of the device is responsible for the safety of others while using it.
- 16) The vacuum should only be used for its intended purposes.
- 17) Before performing any maintenance, adjustment or cleaning procedures on the vacuum cleaner, turn it off, unplug it from the electrical outlet, and wait for the motor to stop.

- 18) Be very careful when checking, cleaning, or performing maintenance on the device and wear thick work gloves to protect your hands.
- 19) Neither the security devices nor the electric cords should be modified or removed from the machine.
- 20) When using the machine, it should be kept steady and on a stable surface or supported by the body.
- 21) Only work in full daylight or with appropriate artificial light.
- 22) We recommend using some type of hearing protection for your ears.
- 23) If the machine vibrates abnormally, stop the motor and look for the cause immediately. Vibrations usually mean a problem.
- 24) The vacuum cleaner should be properly checked before each use. Do not use a machine that is not in perfect condition. If you notice a problem that could constitute a danger to the user, have the machine repaired before using it.
- 25) For safety reasons, replace worn or damaged parts. Use only manufacturer approved replacement parts. Parts from sources other than the manufacturer may not fit properly or may be dangerous or cause injuries. The power cord can only be replaced by specialized customer service centers.
- 26) Only use the vacuum cleaner in areas that are dry and protected from bad weather. Do not use it outside when it is raining.
- 27) Store the vacuum in a dry place, out of the reach of children.
- 28) Do not leave the power cord lying around once cleanup is done; someone could trip.
- 29) Take care when emptying extremely heavy tanks.
- 30) To avoid spontaneous combustion, empty the tank after every use.
- 31) Do not use this machine to vacuum up flammable or combustible liquids, such as gasoline, photocopier powder, or volatile substances; and do not use the machine in areas where these liquids are present. Do not vacuum up acids.
- 32) Do not vacuum up any materials that are toxic, cancer causing, combustible, or any other dangerous materials, such as asbestos, asbestos dust, arsenic, barium, beryllium, lead, pesticides, or any other substances hazardous to your health.
- 33) Extreme caution should be used when vacuuming up wood or charcoal, soot, cement, plaster, or plasterboard dust. These particles are extremely fine and can pass through the filters affecting the motor's performance or be blown into the air. If necessary, therefore we strongly recommend a HEPA filter in combination with a dust collection bag when cleaning these types of materials.
- 34) Do not vacuum up anything that is burning or smoldering, such as cigarettes, cigarette butts, matches, or hot ashes.
- 35) Never vacuum up salt water; it may destroy the motor.

### SAFETY WARNINGS SPECIFIC FOR BLOWING

- Direct air discharge at work area only. Never at people or animals.
- Risk of flying objects. Keep bystanders away from the work area.
- Always wear safety goggles before using the blowing function.

### Electrical safety

When using electric machines always observe the safety regulations applicable in your country to reduce the risk of fire, electric shock and personal injury. Read the following safety instructions and also the enclosed safety instructions.



*Always check that the voltage of the power supply corresponds to the voltage on the rating plate label.*



*Class II machine - Double insulation - You don't need any earthed plug.*

If operating a power tool in a damp location is unavoidable, use a residual current device (RCD) protected supply. Use of an RCD reduces the risk of electric shock.

## 2. MACHINE INFORMATION

### Intended use

The vacuum cleaner is intended for domestic wet and dry vacuuming in, for example, the house, work room, car or garage. The vacuum cleaner is equipped with a blowing function. It can be used to blow dust and debris. The device is not suitable for commercial or industrial use.

**TECHNICAL SPECIFICATIONS**

Model No.	VC506AC
Mains voltage	220-240V~
Mains frequency	50-60 Hz
Power input	1.400W
Cable length	6m
Protection category	IPX4
Suction force	19 kPA, 1.8 m <sup>3</sup> /min
Container capacity approx.	20 L
Useful volume dry approx.	15 L
Useful volume wet approx.	12L
Filter - dry	HEPA filter
Filter - wet	Foam filter
Hose system	Ø32mm
Diameter intake port (29 Fig. D)	Ø52mm
Recommended dust bag	VC805AA / VC809AA
Weight (incl. all accessories) approx.	6kg

**DESCRIPTION**

The numbers in the text refer to the diagrams on pages 2-4.

1. On/Off switch
2. Carrying handle
3. Blowing port
4. Power cord storage
5. Blow function adapter
6. Top section
7. Locking clamp
8. Container
9. Base
10. Float
11. Castor wheels
12. Drainage outlet
13. Drainage outlet cap
14. Vacuum port
15. Filter cage
16. Nozzles storage
17. Hose
18. Handle adapter
19. Removable handle
20. Suction tubes
21. Wet and dry floor nozzle
22. Round brush nozzle
23. Crevice nozzle

24. Car vacuum tool
25. Power tool adapter
26. Dust collection bag
27. HEPA filter
28. Foam filter
29. Intake port

**3. ASSEMBLY**

*Before assembly, always switch off the machine and remove the mains plug from the mains.*

1. Press the container (8) on the base (9) as shown in Fig. B. Make sure the base (9) is securely fastened.
2. Fit the filter (27, 28). Ensure to mount the correct filter, depending on the application:
  - For dry vacuum cleaning, carefully slide the HEPA filter (27) over the filter cage (15) making sure the entire cage (15) is covered as shown in Fig. C-1.
  - For wet vacuum cleaning, carefully slide the foam filter (28) over the filter cage (15) making sure the entire cage (15) is covered as shown in Fig. C-2.
3. Place the top section (6) on the container (8).
4. Connect the suction hose (17).
  - For vacuuming (Fig. E), connect the suction hose (17) to the vacuum port (14).
  - For blowing (Fig. F, G), connect the suction hose (17) to the blowing port (3).
5. Connect the handle (19) to the handle adapter (18). One or more suction tubes (20) can be fit to the handle (19) to extend it (fig. A).
6. Connect the desired nozzle to the handle adapter (18), handle(19) or suction tubes (20).

**Wet and dry floor nozzle (21)**

The floor nozzle is designed for domestic wet and dry vacuuming in, for example, the house, work room, or garage.

**Round brush nozzle (22)**

The brush is designed to vacuuming solids from small areas.

**Crevice nozzle (23)**

The crevice nozzle is designed for domestic wet and dry vacuuming, edges and other areas that are difficult to access.

**Car vacuum tool (24)**

The brush is designed to vacuuming solids from small areas. For example from car seats.

**Power tool adapter (25)**

Adapter for connecting suction hose with a power tool.

**4. OPERATION**

*If the vacuum cleaner accidentally tips over, the shut-off float (10) mechanism may cover the motor vacuum port and stop the suction. If this happens, simply stand the vacuum upright and turn it off until the float (10) returns to its normal position.*

**Switching on (Fig. A)**

*Do not vacuum without a filter!*

1. Fully unwind the suction hose (17).
2. Connect the mains plug.
3. Press the power switch (1) into the "ON/1" position to start your vacuum cleaner.

**Switching off (Fig. A)**

Press the power switch (1) into the "OFF/0" position to switch off your vacuum cleaner.

**Dry vacuuming (Fig. A, C – E)**

*Clean the HEPA filter (27) regularly to maintain the suction power.*



*To avoid the HEPA filter (27) becoming clogged, we recommend the additional use of a dust collection bag (26).*



*Fine dust, such as dust from cement, soot and plaster are too fine to be used with only the HEPA filter (27) and risk getting into the motor and damaging it. Therefore we strongly recommend a dust collection bag (26) when cleaning these types of materials.*



*Clogged dust collection bag (26) can burst – therefore make sure to replace the dust collection bag in a timely manner!*

1. Press the power switch (1) into the "OFF/0" position and remove the mains plug from the mains.
2. Unlock the locking clamp (7) and remove the top section (6).
3. Before vacuuming, remove all dirt and debris from the container (8).
4. Carefully slide HEPA filter (27) down over the filter cage (15) making sure the whole cage (15) is covered as shown in Fig. C-1.
5. For vacuuming with dust collection bag (26):
  - Hold the cardboard collar tightly and slide the rubber protective element as far as possible onto the intake port (29) as shown in Fig. D.
  - When everything is in place, unfold the bag (26) out and position it around the inside walls of the container (8).
6. Reattach the top section (6) again and lock the locking clamp (7).
7. Insert one end of the hose (17) into the vacuuming port (14). Fully unwind the suction hose (17).
8. Connect the mains plug.
9. Press the power switch (1) into the "ON/1" position to start your vacuum cleaner.
10. The machine now is ready to use for dry vacuum cleaning.
11. Press the power switch (1) into the "OFF/0" position to switch off your vacuum cleaner.

**Wet vacuuming (Fig. A, C, E, H)**

*The vacuum cleaner is equipped with a float (10). The suction power decreases when the maximum filling level is reached. Switch the vacuum cleaner off (1) immediately. Remove the plug from the socket and empty the container (8).*



*Clean the float (10) at regular intervals, and check it for damage. Otherwise, its function can be impaired.*



*Never reach into the water to be suctioned up. Danger of electric shock.*



*Immediately switch (1) the machine off if foam forms or liquids escape!*



*Do not use a dust collection bag (26)!*



1. Press the power switch (1) into the "OFF/0" position and remove the mains plug from the mains.
2. Unlock the locking clamp (7) and remove the top section (6).
3. Before wet vacuuming, remove the dust collection bag (26), the HEPA filter (27) and remove all dirt and debris from the container (8).
4. Carefully slide foam filter (28) down over the filter cage (15) making sure the whole cage (15) is covered as shown in Fig. C-2.
5. Reattach the top section (6) again and lock the locking clamp (7).
6. Insert one end of the hose (17) into the vacuuming port (14). Fully unwind the suction hose (17).
7. Connect the mains plug.
8. Press the power switch (1) into the "ON/I" position to start your vacuum cleaner.
9. The machine now is ready for wet vacuum cleaning.
10. Press the power switch (1) into the "OFF/0" position to switch off your vacuum cleaner.
11. Raise the hose (17) so that the liquids drains into the container (8).
12. Empty the container (8) immediately after suction cleaning because it is not designed to store liquids.

#### Blow function (Fig. A, F, G)



Operation without the use of a filter is recommended.



Remove all dirt and debris from the container (8) before you use the blow function.



Always wear safety goggles before using the blowing function.



Risk of flying objects. Keep bystanders away from the work area.

Your vacuum cleaner is equipped with a blowing function. It can be used to blow dust and debris.

1. Press the power switch (1) into the "OFF/0" position and remove the mains plug from the mains.
2. Unlock the locking clamp (7) and remove the top section (6).
3. Before blowing, remove the dust collection bag (26), the filter (27, 28) and remove all dirt and debris from the container (8).

4. Reattach the top section (6) again and lock the locking clamp (7).
5. Insert one end of the hose (17) into the blowing port (3) on top of machine. Fully unwind the suction hose (17).
6. Connect the mains plug.
7. Press the power switch (1) into the "ON/I" position to start your vacuum cleaner.
8. The machine is now ready for blowing dust and debris.
9. Press the power switch (1) into the "OFF/0" position to switch off your vacuum cleaner.

#### Finish operation (Fig. A)

1. Turn off (1) the machine and disconnect the mains plug.
2. Opening the drainage outlet (12) to allow the vacuumed liquid to drain out.
3. Close the drain outlet (12).
4. Remove the top section (6) and empty the container (8).
5. Clean the machine with a soft cloth.
6. Stow away the mains cable and accessory at the machine. Store the appliance in a dry room.

## 5. MAINTENANCE



Before cleaning and maintenance, always switch off the machine and remove the mains plug from the mains.

Clean the machine casings regularly with a soft cloth, preferably after each use. Make sure that the ventilation openings are free of dust and dirt. Remove very persistent dirt using a soft cloth moistened with soapsuds. Do not use any solvents such as gasoline, alcohol, ammonia, etc. Chemicals such as these will damage the synthetic components.

#### Container

Empty the container (8) immediately after suction cleaning because it is not designed to store liquids.

1. Opening the drainage outlet (12) to allow the vacuumed liquid to drain out.
2. Close the drain outlet (12).
3. Remove the top section (6) and empty the container (8).
4. Clean the machine with a soft cloth.

**Filters (Fig. A)**

*For optimal performance it is recommended to regularly change the filters (17, 18) depending on level of use.*

1. Carefully remove HEPA (17) or foam (18) filter.
2. Use a mild soap and water solution to clean the filter and afterwards rinse with clean water.
3. Allow filter to air dry before installing and using again.
4. Re-install the filter.

**Float and filter cage (Fig. H)**

Clean the float (10) and filter cage (15) regularly with a soft cloth, and check it for damage. Otherwise, its function can be impaired.

**ENVIRONMENT**

*Faulty and/or discarded electrical or electronic apparatus have to be collected at the appropriate recycling locations.*

**Only for EC countries**

Do not dispose of power tools into domestic waste. According to the European Guideline 2012/19/EC for Waste Electrical and Electronic Equipment and its implementation into national right, power tools that are no longer usable must be collected separately and disposed of in an environmentally friendly way.

**WARRANTY**

VONROC products are developed to the highest quality standards and are guaranteed free of defects in both materials and workmanship for the period lawfully stipulated starting from the date of original purchase. Should the product develop any failure during this period due to defective material and/or workmanship then contact VONROC directly.

The following circumstances are excluded from this guarantee:

- Repairs and or alterations have been made or attempted to the machine by unauthorized service centers;
- Normal wear and tear;
- The tool has been abused, misused or improperly maintained;
- Non-original spare parts have been used.

This constitutes the sole warranty made by company either expressed or implied. There are no other warranties expressed or implied which extend beyond the face hereof, herein, including the implied warranties of merchantability and fitness for a particular purpose. In no event shall VONROC be liable for any incidental or consequential damages. The dealers remedies shall be limited to repair or replacement of nonconforming units or parts.

**The product and the user manual are subject to change. Specifications can be changed without further notice.**

## 1. SICHERHEITSANWEISUNGEN

Lesen Sie die beiliegenden Sicherheitsanweisungen, die zusätzlichen Sicherheitsanweisungen sowie die Bedienungsanleitung. Das Nichtbeachten der Sicherheitsanweisungen und der Bedienungsanleitung kann zu einem Stromschlag, Feuer und/oder schweren Verletzungen führen. Bewahren Sie die Sicherheitsanweisungen und die Bedienungsanleitung zur künftigen Bezugnahme auf.

Folgende Symbole werden im Benutzerhandbuch oder auf dem Produkt verwendet:



*Lesen Sie das Benutzerhandbuch.*



*Lebens- und Verletzungsgefahr und Gefahr von Beschädigungen am Werkzeug/Gerät bei Nichteinhaltung der Anweisungen in dieser Bedienungsanleitung.*



*Gefahr eines Stromschlags.*



*Ziehen Sie sofort den Netzstecker aus der Steckdose, falls das Netzkabel beschädigt wird, sowie bei der Reinigung und Wartung.*



*Werkzeug/Gerät der Schutzklasse II - Schutzisoliert - kein Schutzkontaktanschluss erforderlich.*



*Wenn die Temperatur des Materials 40°C übersteigt, besteht Brandgefahr.*



*Entsorgen Sie das Produkt nicht in hierfür nicht vorgesehenen Abfallbehältern.*



*Das Produkt entspricht den geltenden Sicherheitsnormen der europäischen Richtlinien.*

### SICHERHEITSHINWEISE

DIESES GERÄT KANN VON KINDERN AB 8 JAHREN UND DARÜBER SOWIE VON PERSONEN MIT VERRINGERTEN PHYSISCHEN, SENSORISCHEN ODER MENTALEN FÄHIGKEITEN ODER MANGEL AN ERFAHRUNG UND WISSEN BENUTZT WERDEN, WENN SIE BEAUFSICHTIGT ODER BEZUGLICH DES SICHEREN GEBRAUCHS DES GERÄTES UNTERWIESEN WURDEN UND DIE DARAUS RESULTIERENDEN GEFAHREN VERSTEHEN. KINDER DÜRFEN

NICHT MIT DEM GERÄT SPIELEN. REINIGUNG UND BENUTZER-WARTUNG DÜRFEN NICHT VON KINDERN OHNE BEAUFSICHTIGUNG DURCHFÜHRT WERDEN. BESCHÄDIGTE NETZKABEL MÜSSEN DURCH DEN HERSTELLER, DESSEN KUNDENDIENST ODER ÄHNLICH QUALIFIZIERTE FACHLEUTE AUSGETAUSCHT WERDEN, UM GEFAHRENSITUATIONEN ZU VERMEIDEN. DER STECKER MUSS VOR DER REINIGUNG ODER WARTUNG DES GERÄTS AUS DER STECKDOSE GEZOGEN WERDEN.

- 1) Halten Sie Ihren Arbeitsbereich sauber: Unübersichtliche Arbeitsbereiche und Werkbanke stellen eine Verletzungsquelle dar.
- 2) Der Staubsauger sollte vor dem Gebrauch ordnungsgemäß zusammengebaut werden.
- 3) Verwenden Sie nur Verlängerungskabel, die für die Verwendung im Freien zugelassen sind (wenn der Staubsauger im Freien verwendet wird), und stellen Sie sicher, dass sie immer in gutem Zustand sind.
- 4) Schützen Sie die Stromkabel und stellen Sie insbesondere sicher, dass sie nicht gequetscht, gezogen oder durch Kanten, scharfe oder bewegliche Teile oder durch korrosive Flüssigkeiten beschädigt werden.
- 5) Verwenden Sie kein beschädigtes Verlängerungskabel. Nehmen Sie weder vorübergehende noch dauerhafte Reparaturen am Kabel selbst vor.
- 6) Verwenden Sie keinen Staubsauger mit einem beschädigten Stromkabel. Lassen Sie ein neues Kabel von einem autorisierten Kundendienstzentrum anbringen.
- 7) Schließen Sie keine anderen Geräte an die Steckdose, das Stromkabel oder Verlängerungskabel an.
- 8) Bevor Sie Ihren Staubsauger an die Steckdose anschließen, vergewissern Sie sich, dass die Spannung und die Anforderungen an die Steckdose mit den Angaben auf dem Etikett neben dem Kabel übereinstimmen.
- 9) Ziehen Sie das Gerät nicht am Kabel.
- 10) Ihr Gerät sollte immer ausgeschaltet sein, bevor Sie den Stecker aus der Steckdose ziehen oder das Verlängerungskabel trennen.
- 11) Bevor Sie das Gerät unbeaufsichtigt lassen (auch nur für kurze Zeit), schalten Sie es aus und ziehen Sie den Stecker aus der Steckdose. Das sollte auch dann geschehen, wenn ein Kraftverlust des Geräts auftritt.

- 12) Unterschätzen Sie seine Kraft nicht. Behalten Sie stets eine ausbalancierte und stabile Haltung bei.
- 13) Halten Sie Kinder und Haustiere von dem Gerät fern. Wenn das Gerät in Betrieb ist, sollten alle einen sicheren Abstand einhalten.
- 14) Das Gerät sollte nicht von Kindern oder von Personen verwendet werden, die mit dem Gerät nicht vertraut sind oder die diese Bedienungsanleitung nicht gelesen haben.
- 15) Der Benutzer des Geräts ist für die Sicherheit anderer bei der Benutzung verantwortlich.
- 16) Der Staubsauger darf nur für den vorgesehenen Zweck verwendet werden.
- 17) Bevor Sie Wartungs-, Einstellungs- oder Reinigungsverfahren am Staubsauger vornehmen, schalten Sie ihn aus, ziehen Sie den Stecker aus der Steckdose und warten Sie, bis der Motor zum Stillstand gekommen ist.
- 18) Seien Sie bei der Überprüfung, Reinigung oder Wartung des Geräts sehr vorsichtig und tragen Sie zum Schutz Ihrer Hände dicke Arbeitshandschuhe.
- 19) Weder die Sicherheitsvorrichtungen noch die Stromkabel dürfen verändert oder vom Gerät entfernt werden.
- 20) Bei der Verwendung des Geräts sollte dieses stabil auf einer festen Oberfläche stehen oder vom Körper gestützt gehalten werden.
- 21) Arbeiten Sie nur bei vollem Tageslicht oder mit angemessener Beleuchtung.
- 22) Wir empfehlen die Verwendung eines Gehörschutzes für die Ohren.
- 23) Wenn das Gerät anormal vibriert, stoppen Sie den Motor und ermitteln Sie sofort die Ursache. Vibrationen weisen in der Regel auf ein Problem hin.
- 24) Der Staubsauger sollte vor jedem Gebrauch ordnungsgemäß überprüft werden. Verwenden Sie keine Geräte, die sich nicht in einwandfreiem Zustand befinden. Wenn Sie ein Problem feststellen, das eine Gefahr für den Benutzer darstellen könnte, lassen Sie das Gerät vor der weiteren Verwendung reparieren.
- 25) Ersetzen Sie verschlissene oder beschädigte Teile, um die Sicherheit nicht zu beeinträchtigen. Verwenden Sie nur vom Hersteller zugelassene Ersatzteile. Teile aus anderen Quellen als dem Hersteller passen möglicherweise nicht richtig oder können Gefahren darstellen oder Verletzungen verursachen. Das Stromkabel darf nur von spezialisierten Kundendienstzentren ersetzt werden.
- 26) Verwenden Sie den Staubsauger nur in trockenen und vor Witterungseinflüssen geschützten Bereichen. Verwenden Sie es bei Regen nicht im Freien.
- 27) Bewahren Sie den Staubsauger an einem trockenen Ort und außerhalb der Reichweite von Kindern auf.
- 28) Lassen Sie das Stromkabel nach dem Aufräumen nicht herumliegen; jemand könnte darüber stolpern.
- 29) Vorsicht beim Entleeren extrem schwerer Behälter.
- 30) Um eine Selbstentzündung zu vermeiden, leeren Sie den Behälter nach jedem Gebrauch.
- 31) Verwenden Sie dieses Gerät nicht zum Aufsaugen von brennbaren oder brennbaren Flüssigkeiten wie Benzin, Fotokopierpulver oder flüchtigen Substanzen; und verwenden Sie es nicht in Bereichen, in denen solche Flüssigkeiten vorhanden sind. Keine Säuren aufsaugen.
- 32) Saugen Sie keine giftigen, krebserregenden, brennbaren oder anderen gefährlichen Materialien auf, wie z.B. Asbest, Asbeststaub, Arsen, Barium, Beryllium, Blei, Pestizide oder andere gesundheitsgefährdende Substanzen.
- 33) Äußerste Vorsicht ist beim Aufsaugen von Holz- oder Kohlenasche, Ruß, Zement, Gips oder Gipskartonplattenstaub geboten. Diese Partikel sind extrem fein und können daher die Filter passieren und die Leistung des Motors beeinträchtigen oder in die Luft geblasen werden. Bei Bedarf empfehlen wir daher beim Beseitigen solcher Materialien dringend einen Stofffilter in Kombination mit einem Staubsammelbeutel.
- 34) Saugen Sie nichts auf, was brennt oder glimmt, wie z.B. Zigaretten, Zigarettenstummel, Streichholz oder heiße Asche.
- 35) Niemals Salzwasser aufsaugen, es kann den Motor zerstören.

### **SPEZIELLE SICHERHEITSHINWEISE FÜR BLASARBEITEN**

- Luftaustritt nur auf den Arbeitsbereich richten. Niemals auf Menschen oder Tiere.
- Risiko von umherfliegenden Objekten. Zuschauer aus dem Arbeitsbereich fernhalten.
- Vor Verwendung der Blasfunktion immer eine Schutzbrille aufsetzen.

**Sicherheit bei Elektrizität**

Beachten Sie bei der Arbeit mit elektrischen Werkzeugen/Geräten stets die in Ihrem Land geltenden Sicherheitsvorschriften, um Personenschäden, Stromschläge und Brände zu vermeiden. Lesen Sie die folgenden Sicherheitshinweise sowie die beliebigen Sicherheitshinweise sorgfältig durch.



*Stellen Sie immer sicher, dass die Spannung der Stromversorgung der Nennspannung auf dem Typenschild des Werkzeugs/Geräts entspricht.*



*Werkzeugs/Geräts entspricht. Werkzeug/ Gerät der Schutzklasse II - schutzisoliert - kein Schutzkontaktanschluss erforderlich.*

Wenn sich Arbeiten mit einem Elektrowerkzeug in feuchten Umgebungen nicht vermeiden lassen, verwenden Sie eine Stromversorgung mit einer Fehlerstrom-Schutzeinrichtung (RCD). Durch die Verwendung einer RCD wird die Gefahr eines elektrischen Schlags verringert.

**2. ANGABEN ZUM WERKZEUG**

**Verwendungszweck**

Der Staubsauger ist für das hausliche Nass- und Trockensaugen bestimmt, z.B. im Haus, im Arbeitsraum, im Auto oder in der Garage. Der Staubsauger ist mit einer Blasfunktion ausgestattet. Dieses Gerät dient zum Beseitigen von Staub und Schmutz. Das Gerät ist nicht für den gewerblichen oder industriellen Gebrauch geeignet.

**TECHNISCHE DATEN**

<b>Modellnummer.</b>	<b>VC506AC</b>
Netzspannung	220-240V~
Netzfrequenz	50-60 Hz
Leistungsaufnahme	1400W
Kabellänge	6m
Schutzklasse	IPX4
Saugkraft	19 kPa, 1.8 m <sup>3</sup> /min
Behälterkapazität ca.	20 L
Nutzvolumen trocken ca.	15 L
Nutzvolumen nass ca.	12L
Filter - trocken	HEPA filter

Filter - nass	Schaumstofffilter
Schlauchsystem	Ø32mm
Durchmesser der Ansaugöffnung (29 Abb. D)	Ø52mm
Empfohlener Staubbeutel	VC805AA / VC809AA
Gewicht (inkl. aller Zubehorteile) ca.	6kg

**BESCHREIBUNG**

Die Zahlen im Text beziehen sich auf die Abbildungen auf den Seiten 2 - 4.

1. Ein-/Ausschalter
2. Tragegriff
3. Blasanschluss
4. Stromkabelaufbewahrung
5. Blasfunktionsadapter
6. Oberteil
7. Verriegelungsklammer
8. Behälter
9. Basis
10. Schwimmer
11. Lenkrollen
12. Entleerungsöffnung
13. Entleerungsöffnungskappe
14. Sauganschluss
15. Filterkafig
16. Düsenaufbewahrung
17. Schlauch
18. Griffadapter
19. Abnehmbarer Griff
20. Griff
21. Bodendüse zum Nass- und Trockensaugen
22. Rundbürstendüse
23. Fugendüse
24. Auto-Staubsaugerzubehör
25. Elektrowerkzeugadapter
26. Staubsammelbeutel
27. HEPA filter
28. Schaumstofffilter
29. Ansaugöffnung

**3. MONTAGE**



*Schalten Sie die Maschine vor der Montage aus und ziehen Sie den Netzstecker aus der Steckdose.*

1. Drücken Sie den Behälter (8) auf den Sockel (9), wie in Abb. B gezeigt. Stellen Sie sicher, dass der Sockel (9) sicher befestigt ist.
2. Bringen Sie den Filter (27, 28) an. Achten Sie darauf, je nach Anwendung den richtigen Filter anzubringen:
  - Zum Trockensaugen schieben Sie den HEPA-Filter (27) vorsichtig über den Filterkäfig (15), wobei sicherzustellen ist, dass der gesamte Käfig (15) wie in Abb. C-1 dargestellt abgedeckt ist.
  - Zum Nasssaugen schieben Sie den Schaumstofffilter (28) vorsichtig über den Filterkäfig (15), wobei sicherzustellen ist, dass der gesamte Käfig (15) wie in Abb. C-2 dargestellt abgedeckt ist.
3. Setzen Sie das Oberteil (6) auf den Behälter (8).
4. Schließen Sie den Saugschlauch (17) an.
  - Zum Saugen (Abb. E) wird der Saugschlauch (17) mit dem Sauganschluss (14) verbunden.
  - Zum Blasen (Abb. F, G) wird der Saugschlauch (17) mit dem Blasanschluss (3) verbunden.
5. Bringen Sie den Griff (19) am Griffadapter (18) an. An dem Griff (19) können zur Verlängerung ein oder mehrere Saugrohre (20) angebracht werden (Abb. A).
6. Verbinden Sie die gewünschte Düse mit dem Griffadapter (18), dem Griff (19) oder den Saugrohren (20).

#### **Bodendüse zum Nass- und Trockensaugen (21)**

Die Bodendüse ist für das häusliche Nass- und Trockensaugen bestimmt, z.B. im Haus, im Arbeitsraum oder in der Garage.

#### **Rundbürstendüse (22)**

Die Bürste ist zum Aufsaugen von Feststoffen aus kleinen Bereichen vorgesehen.

#### **Fugendüse (23)**

Die Fugendüse ist für das häusliche Nass- und Trockensaugen, für Ränder und andere schwer zugängliche Bereiche vorgesehen.

#### **Auto-Staubsaugerzubehör (24)**

Die Bürste ist zum Aufsaugen von Feststoffen aus kleinen Bereichen vorgesehen. Sie eignet sich zum Beispiel für Autositze.

#### **Elektrowerkzeugadapter (25)**

Adapter zum Verbinden des Saugschlauches mit einem Elektrowerkzeug.

## **4. BETRIEB**



*Wenn der Staubsauger versehentlich umkippt, kann der Mechanismus des Absperrschwimmers (10) den Sauganschluss des Motors abdecken und den Saugvorgang stoppen. Wenn dies geschieht, stellen Sie den Staubsauger wieder aufrecht hin und schalten ihn aus, bis der Schwimmer (10) in seine normale Position zurückgekehrt ist.*

#### **Einschalten (Abb. A)**



*Nicht ohne HEPA-Filter saugen!*

1. Wickeln Sie den Saugschlauch (17) vollständig ab.
2. Stecken Sie den Netzstecker in die Steckdose.
3. Stellen Sie den Netzschalter (1) in die Position „ON/1“, um den Staubsauger zu starten.

#### **Ausschalten (Abb. A)**

Stellen Sie den Netzschalter (1) in die Position „OFF/0“, um den Staubsauger auszuschalten.

#### **Trockensaugen (Abb. A, C – E)**



*Reinigen Sie den HEPA-Filter (27) regelmäßig, um die Saugkraft aufrechtzuerhalten.*



*Um ein Verstopfen des HEPA-Filters (27) zu vermeiden, empfehlen wir die zusätzliche Verwendung eines Staubsammelbeutels (26).*



*Feiner Staub, wie Zement-, Ruß- und Gipsstaub, ist zu fein, um nur mit dem HEPA-Filter (27) verwendet zu werden, und birgt die Gefahr, in den Motor zu gelangen und ihn zu beschädigen. Daher empfehlen wir beim Aufsaugen solcher Materialien dringend einen Staubsammelbeutel (26).*



*Ein verstopfter Staubsammelbeutel (26) kann platzen – deshalb sollte der Staubsammelbeutel rechtzeitig ausgetauscht werden!*

1. Stellen Sie den Netzschalter (1) in die Position „OFF/0“ und ziehen Sie den Netzstecker aus der Steckdose.
2. Entriegeln Sie die Verriegelungsklammer (7) und nehmen Sie das Oberteil (6) ab.
3. Entfernen Sie vor dem Saugen sämtlichen Schmutz und Ablagerungen aus dem Behälter (8).
4. Schieben Sie den HEPA-Filter (27) vorsichtig über den Filterkäfig (15) nach unten, wobei sicherzustellen ist, dass der gesamte Käfig (15) wie in Abb. C-1 dargestellt abgedeckt ist.
5. Zum Saugen mit Staubsammelbeutel (26):
  - Halten Sie den Pappkragen fest und schieben Sie das Gummischutzelement wie in Abb. D dargestellt so weit wie möglich auf die Ansaugöffnung (29).
  - Wenn alles an seinem Platz ist, falten Sie den Beutel (26) auseinander und setzen Sie ihn um die Innenwände des Behälters (8) herum ein.
6. Bringen Sie das Oberteil (6) wieder an und verriegeln Sie die Verriegelungsklammer (7).
7. Stecken Sie ein Ende des Schlauchs (17) in den Sauganschluss (14). Wickeln Sie den Saugschlauch (17) vollständig ab.
8. Stecken Sie den Netzstecker in die Steckdose.
9. Stellen Sie den Netzschalter (1) in die Position „ON/I“, um den Staubsauger zu starten.
10. Das Gerät ist nun zum Trockensaugen bereit.
11. Stellen Sie den Netzschalter (1) in die Position „OFF/0“, um den Staubsauger auszuschalten.



*Verwenden Sie keinen Staubsammelbeutel (26)!*

1. Stellen Sie den Netzschalter (1) in die Position „OFF/0“ und ziehen Sie den Netzstecker aus der Steckdose.
2. Entriegeln Sie die Verriegelungsklammer (7) und nehmen Sie das Oberteil (6) ab.
3. Nehmen Sie vor dem Nasssaugen den Staubsammelbeutel (26) und den HEPA-Filter (27) ab und entfernen Sie sämtlichen Schmutz und Ablagerungen aus dem Behälter (8).
4. Schieben Sie den Schaumstofffilter (28) vorsichtig über den Filterkäfig (15) nach unten, wobei sicherzustellen ist, dass der gesamte Käfig (15) wie in Abb. C-2 dargestellt abgedeckt ist.
5. Bringen Sie das Oberteil (6) wieder an und verriegeln Sie die Verriegelungsklammer (7).
6. Stecken Sie ein Ende des Schlauchs (17) in den Sauganschluss (14). Wickeln Sie den Saugschlauch (17) vollständig ab.
7. Stecken Sie den Netzstecker in die Steckdose.
8. Stellen Sie den Netzschalter (1) in die Position „ON/I“, um den Staubsauger zu starten.
9. Das Gerät ist nun zum Nasssaugen bereit.
10. Stellen Sie den Netzschalter (1) in die Position „OFF/0“, um den Staubsauger auszuschalten.
11. Heben Sie den Schlauch (17) so an, dass die Flüssigkeiten in den Behälter (8) ablaufen können.
12. Leeren Sie den Behälter (8) sofort nach dem Saugen, da er nicht für die Aufbewahrung von Flüssigkeiten geeignet ist.

**Nasssaugen (Abb. A, C, E, H)**



*Der Staubsauger ist mit einem Schwimmer (10) ausgestattet. Die Saugleistung nimmt ab, wenn der maximale Fullstand erreicht ist. Schalten Sie den Staubsauger dann sofort aus (1). Ziehen Sie den Stecker aus der Steckdose und leeren Sie den Behälter (8).*



*Reinigen Sie den Schwimmer (10) in regelmäßigen Abständen und überprüfen Sie ihn auf Beschädigungen. Andernfalls kann die Funktion beeinträchtigt werden.*



*Niemals in das aufzusaugende Wasser greifen. Stromschlaggefahr.*



*Schalten Sie das Gerät sofort aus (1), wenn sich Schaum bildet oder Flüssigkeiten austreten!*

**Blasfunktion (Abb. A, F, G)**



*Es wird der Betrieb ohne den Einsatz eines Filters empfohlen.*



*Vor der Verwendung der Blasfunktion sämtlichen Schmutz und Ablagerungen aus dem Behälter (8) entfernen.*



*Vor Verwendung der Blasfunktion immer eine Schutzbrille aufsetzen.*



*Risiko von umherfliegenden Objekten. Zuschauer aus dem Arbeitsbereich fernhalten.*

Der Staubsauger ist mit einer Blasfunktion ausgestattet. Dieses Gerät dient zum Beseitigen von Staub und Schmutz.

1. Stellen Sie den Netzschalter (1) in die Position „OFF/0“ und ziehen Sie den Netzstecker aus der Steckdose.
2. Entriegeln Sie die Verriegelungsklammer (7) und nehmen Sie das Oberteil (6) ab.
3. Nehmen Sie vor dem Blasen den Staubsammelbeutel (26) und die Filter (27, 28) ab und entfernen Sie sämtlichen Schmutz und Ablagerungen aus dem Behälter (8).
4. Bringen Sie das Oberteil (6) wieder an und verriegeln Sie die Verriegelungsklammer (7).
5. Stecken Sie ein Ende des Schlauchs (17) in den Blasanschluss (3) oben am Gerät. Wickeln Sie den Saugschlauch (17) vollständig ab.
6. Stecken Sie den Netzstecker in die Steckdose.
7. Stellen Sie den Netzschalter (1) in die Position „ON/I“, um den Staubsauger zu starten.
8. Das Gerät ist jetzt bereit, um Staub und Schmutz wegzublasen.
9. Stellen Sie den Netzschalter (1) in die Position „OFF/0“, um den Staubsauger auszuschalten.

#### Abschluss der Arbeit (Abb. A)

1. Schalten Sie das Gerät aus (1) und ziehen Sie den Netzstecker ab.
2. Öffnen Sie die Entleerungsöffnung (12), damit die aufgesaugte Flüssigkeit abfließen kann.
3. Schließen Sie die Entleerungsöffnung (12).
4. Nehmen Sie das Oberteil (6) ab und leeren Sie den Behälter (8).
5. Reinigen Sie das Gerät mit einem weichen Tuch.
6. Verstauen Sie das Stromkabel und das Zubehör am Gerät. Lagern Sie das Gerät aufrecht an einem trockenen Ort.

## 5. WARTUNG



*Trennen Sie die Maschine vom Netz, wenn Sie am Mechanismus Wartungsarbeiten ausführen müssen.*

Reinigen Sie das Werkzeuggehäuse regelmäßig mit einem weichen Lappen, vorzugsweise nach jeder Verwendung. Stellen Sie sicher, dass die Luftungsöffnungen frei von Staub und Schmutz sind. Entfernen Sie anhaftenden Schmutz mit einem weichen Lappen, der leicht mit Seifenwasser befeuchtet wurde. Verwenden Sie keine Lösungsmittel wie Benzin, Alkohol, Ammoniak usw., da Chemikalien dieser Art die Kunststoffteile beschädigen.

#### Behälter

Leeren Sie den Behälter (8) sofort nach dem Saugen, da er nicht für die Aufbewahrung von Flüssigkeiten geeignet ist.

1. Öffnen Sie die Entleerungsöffnung (12), damit die aufgesaugte Flüssigkeit abfließen kann.
2. Schließen Sie die Entleerungsöffnung (12).
3. Nehmen Sie das Oberteil (6) ab und leeren Sie den Behälter (8).
4. Reinigen Sie das Gerät mit einem weichen Tuch.

#### Filter (Abb. A)



*Für eine optimale Leistung wird empfohlen, die Filter (17, 18) je nach Nutzungsgrad regelmäßig zu wechseln.*

1. HEPA-Filter (17) oder Schaumstofffilter (18) vorsichtig entfernen.
2. Reinigen Sie den Filter mit einer milden Seifenlauge und spülen Sie anschließend mit sauberem Wasser nach.
3. Lassen Sie den Filter an der Luft trocknen, bevor Sie ihn wieder anbringen und erneut verwenden.
4. Bringen Sie den Filter wieder an.

#### Schwimmer und Filterkafig (Abb. H)

Reinigen Sie Schwimmer (10) und Filterkafig (15) regelmäßig mit einem weichen Tuch und überprüfen Sie die Teile auf Beschädigungen. Andernfalls kann die Funktion beeinträchtigt werden.

## UMWELTSCHUTZ



*Schadhafte und/oder zu entsorgende elektrische oder elektronische Werkzeuge und Geräte müssen an den dafür vorgesehenen Recycling-Stellen abgegeben werden.*

#### Nur für EG-Länder

Entsorgen Sie Elektrowerkzeuge nicht über den Hausmüll. Entsprechend der EU-Richtlinie 2012/19/EG über Elektro- und Elektronik-Altgeräte sowie der Umsetzung in nationales Recht müssen Elektrowerkzeuge, die nicht mehr im Gebrauch sind, getrennt gesammelt und umweltschonend entsorgt werden.



## GARANTIE

VONROC-Produkte werden nach den höchsten Qualitätsstandards entwickelt und sind für den gesetzlich festgelegten Zeitraum, ausgehend von dem ursprünglichen Kaufdatum, garantiert frei von Fehlern in Material und Ausführung. Sollte das Produkt in diesem Zeitraum aufgrund von Material- und/oder Verarbeitungsmängeln Fehler aufweisen, wenden Sie sich bitte direkt an VONROC Kundendienst.

Folgende Umstände sind von der Garantie ausgeschlossen:

- Reparaturen und oder Änderungen an der Maschine, die durch nicht-autorisierte Servicestellen vorgenommen oder versucht wurden.
- Normale Abnutzung und Verschleiß.
- Das Werkzeug wurde übermäßig beansprucht, missbräuchlich verwendet oder falsch gewartet.
- Es wurden keine Original-Ersatzteile verwendet.

Dies stellt die einzige Gewährleistung des Unternehmens dar, sowohl ausdrücklich als auch implizit. Es gibt keine anderen ausdrücklichen oder stillschweigenden Garantien, die über das hier Genannte hinausgehen, einschließlich der stillschweigenden Garantien der Marktgängigkeit oder Eignung für einen bestimmten Zweck. In keinem Fall ist VONROC haftbar für Neben- oder Folgeschäden. Die Rechtsmittel des Händlers beschränken sich auf Reparatur oder Ersatz fehlerhafter Einheiten oder Teile.

**Am Produkt und am Benutzerhandbuch können Änderungen vorgenommen werden. Die technischen Daten können sich ohne Vorankündigung ändern.**

## 1. VEILIGHEIDSVOORSCHRIFTEN

Lees de bijgesloten veiligheidsvoorschriften, de aanvullende veiligheidsvoorschriften en de instructies. Het niet in acht nemen van de veiligheidsvoorschriften en de instructies kan leiden tot elektrische schok, brand en/of ernstig letsel. Bewaar de veiligheidsvoorschriften en de instructies voor toekomstig gebruik.

De volgende symbolen worden gebruikt in de gebruikershandleiding of op het product:



*Lees de gebruikershandleiding.*



*Gevaar voor lichamelijk letsel, overlijden of schade aan de machine wanneer de instructies in deze handleiding niet worden opgevolgd.*



*Gevaar voor elektrische schokken.*



*Verwijder onmiddellijk de netstekker uit het stopcontact indien het netsnoer beschadigd raakt en tijdens reiniging en onderhoud.*



*Klasse II apparaat - Dubbel geïsoleerd - Een geaarde stekker is niet noodzakelijk.*



*Brandgevaar als het materiaal warmer is dan 40°C.*



*Werp het product niet weg in ongeschikte containers.*



*Het product is in overeenstemming met de van toepassing zijnde veiligheidsnormen in de Europese richtlijnen.*

### VEILIGHEIDSWAARSCHUWINGEN

DIT APPARAAT MAG WORDEN GEBRUIKT DOOR KINDEREN VANAF 8 JAAR EN DOOR PERSONEN MET VERMINDERDE LICHAAMELIJKE, ZINTUIGLIJKE OF GEESTELIJKE VERMOGENS, OF MET EEN GEBREK AAN ERVARING EN KENNIS, MITS ZIJ ONDER TOEZICHT STAAN OF GEINSTRUEERD ZIJN BETREFFENDE HET VEILIG GEBRUIK VAN HET APPARAAT EN ZICH BEWUST ZIJN VAN DE ERMEE VERBONDEN RISICO'S. KINDEREN MOGEN NIET MET HET APPARAAT SPELEN. REINIGING EN GEBRUIKERSONDERHOUD MOGEN NIET DOOR KINDEREN ZONDER

TOEZICHT WORDEN UITGEVOERD. OM GEVAARLIJKE SITUATIES TE VOORKOMEN MOET HET NETSNOER DOOR DE FABRIKANT, ZIJN SERVICEDEWERKERS OF ANDERE GEKWALIFICEERDE PERSONEN WORDEN VERVANGEN ALS HET IS BESCHADIGD. DE STEKKER MOET UIT HET STOPCONTACT WORDEN GETROKKEN VOORDAT U HET APPARAAT REINIGT OF ONDERHOUD UITVOERT.

- 1) Houd uw werkplek schoon: Rommelige werkplekken en werkbanken zijn een bron van persoonlijk letsel.
- 2) De stofzuiger moet juist in elkaar worden gezet voordat u deze gebruikt.
- 3) Gebruik alleen verlengsnoeren die goedgekeurd zijn voor buitenshuis gebruik (als de stofzuiger buiten wordt gebruikt) en zorg ervoor dat ze altijd in goede staat verkeren.
- 4) Bescherm het netsnoer en let er in het bijzonder goed op dat het snoer niet wordt geplet, getrokken of wordt beschadigd door scherpe randen, scherpe uitsteeksels, bewegende onderdelen of bijtende vloeistoffen.
- 5) Gebruik geen beschadigde verlengkabels. Maak zelf geen permanente of tijdelijk reparaties aan het snoer.
- 6) Gebruik nooit een stofzuiger met een beschadigd netsnoer. Laat een nieuw snoer monteren door een geautoriseerd servicecentrum.
- 7) Verbind geen andere voorwerpen met het stopcontact, netsnoeren of verlengsnoeren.
- 8) Controleer voordat u de stofzuiger in een stopcontact steekt, dat de spanning van het stopcontact overeenkomt met de waarden aangegeven op het label naast het netsnoer.
- 9) Trek het apparaat niet aan de kabel.
- 10) Het apparaat moet altijd zijn uitgeschakeld voordat u de stekker uit het stopcontact of verlengsnoer trekt.
- 11) Wanneer u het apparaat onbeheerd laat (zelfs maar een enkel ogenblik), schakel het dan uit en trek de stekker uit het stopcontact. Dit moet u ook doen als de elektriciteit uitvalt.
- 12) Onderschat het vermogen van het apparaat niet. Sta altijd gebalanceerd en stabiel op de grond.
- 13) Houd kinderen en huisdieren uit de buurt van het apparaat. Als het apparaat aan staat moet iedereen op een veilige afstand blijven.
- 14) Dit apparaat mag niet worden gebruikt door kinderen of personen die niet bekend zijn met de werking van het apparaat, of personen die de handleiding niet hebben gelezen.
- 15) De gebruiker van het apparaat is tijdens gebruik verantwoordelijk voor de veiligheid van anderen.
- 16) De stofzuiger mag alleen worden gebruikt voor zijn bedoeld gebruik.
- 17) Voordat u onderhoud of aanpassingen uitvoert of de stofzuiger reinigt, moet u deze uitschakelen, de stekker uit het stopcontact trekken en wachten tot de motor is gestopt.
- 18) Wees voorzichtig wanneer u het apparaat controleert, reinigt of wanneer u onderhoud uitvoert, draag werkhandschoenen om uw handen te beschermen.
- 19) De beveiligingscomponenten en het netsnoer mogen nooit worden aangepast of van het apparaat worden verwijderd.
- 20) Wanneer u het apparaat gebruikt moet het stevig op een stabiel oppervlak staan, of met uw lichaam worden ondersteunt.
- 21) Werk alleen met voldoende daglicht, of met toereikende verlichting.
- 22) Wij raden aan dat u een vorm van gehoorbescherming gebruikt om uw oren te beschermen.
- 23) Als het apparaat meer dan normaal trilt, stop dan onmiddellijk de motor en zoek uit wat de oorzaak is. Trillingen geven meestal een probleem aan.
- 24) De stofzuiger moet voor elk gebruik goed worden gecontroleerd. Gebruik geen apparaat dat niet in perfecte staat verkeerd. Wanneer u een probleem ontdekt wat een gevaar kan vormen voor de gebruiker, laat de machine dan voor gebruik eerst repareren.
- 25) Voor veiligheidsredenen moet u versleten of beschadigde onderdelen vervangen. Gebruik alleen reserveonderdelen die zijn goedgekeurd door de fabrikant. Reserveonderdelen die niet van de fabrikant zijn passen wellicht niet goed en kunnen gevaarlijke situaties of letsel veroorzaken. Het netsnoer kan alleen worden vervangen door gespecialiseerde klantenservicecentra.
- 26) Gebruik de stofzuiger alleen op droge plaatsen die bescherming bieden tegen slecht weer. Gebruik het apparaat niet buiten als het regent.
- 27) Berg de stofzuiger buiten bereik van kinderen op in een droge ruimte.
- 28) Laat het netsnoer niet rondslingeren als u klaar bent; iemand kan er over struikelen.
- 29) Wees voorzichtig wanneer u erg zware reservoirs leegmaakt.
- 30) Om spontane ontbranding te voorkomen, moet u het reservoir na elk gebruik legen.

- 31) Gebruik dit apparaat niet om ontvlambare of brandbare vloeistoffen op te zuigen, zoals benzine, kopieerapparaat toner of instabiele vloeistoffen; gebruik dit apparaat ook nooit in gebieden waar deze vloeistoffen aanwezig zijn. Zuig nooit zuren op.
- 32) Zuig nooit materialen op die giftig, kankerwekkend of ontvlambaar zijn, of andere gevaarlijke materialen zoals asbest, asbeststof, arseen, barium, beryllium, lood, bestrijdingsmiddelen of andere stoffen die schadelijk zijn voor uw gezondheid.
- 33) Wees extra voorzichtig wanneer u as van hout of van houtskool, roet, cement, gips of stof van gipsplaat opzuigt. Deze stoffen zijn zeer fijn en kunnen daarom door het filter gaan, dit beïnvloedt de prestaties van de motor en zorgt ervoor dat ze in de lucht worden geblazen. Wanneer u deze stoffen wilt opzuigen, raden wij u ten eerste aan dat u een filter in combinatie met een stofzak gebruikt.
- 34) Zuig nooit iets op dat nog brand of gloeit, zoals sigaretten, sigarettenpeuken, lucifers of warme as.
- 35) Zuig nooit zout water op, dit kan de motor kapot maken.

### VEILIGHEIDSWAARSCHUWINGEN VOOR HET BLAZEN VAN LUCHT

- Richt de lucht alleen op het werkgebied. Nooit richting mensen of dieren.
- Risico dat voorwerpen worden weggeslingerd. Houd omstanders weg van de werkplek.
- Draag altijd een veiligheidsbril wanneer u de blaasfunctie gebruikt.

### Elektrische veiligheid

Neem bij het gebruik van elektrische machines altijd de plaatselijk geldende veiligheidsvoorschriften in acht in verband met brandgevaar, gevaar voor elektrische schokken en lichamelijk letsel. Lees behalve onderstaande instructies ook de veiligheidsvoorschriften in het apart bijgevoegde veiligheidskatern door.



*Controleer altijd of de spanning van de voedingstoevoer overeenkomt met de spanning op het typeplaatje.*



*Klasse II apparaat - Dubbel geïsoleerd - Een geaarde stekker is niet noodzakelijk.*

Gebruik een aardlekbeveiliging (RCD) als niet te voorkomen is dat een power tool moet worden gebruikt in een vochtige omgeving. Gebruik van een RCD vermindert het risico van elektrische schokken.

## 2. TECHNISCHE INFORMATIE

### Bedoeld gebruik

De stofzuiger is bedoeld voor huishoudelijk nat en droog zuigwerk, bijvoorbeeld de woning, werkkamer, auto of garage. De stofzuiger is ook voorzien van een blaasfunctie. Te gebruiken voor het wegblazen van stof en afval. Dit apparaat is niet geschikt voor commercieel of industrieel gebruik.

### TECHNISCHE SPECIFICATIES

Modelnr.	VC506AC
Netspanning	220-240V~
Netfrequentie	50-60 Hz
Opgenomen vermogen	1400W
Kabellengte	6m
Beschermingscategorie	IPX4
Zuigkracht	19 kPa, 1.8 m <sup>3</sup> /min
Reservoircapaciteit ca.	20 L
Nuttig volume droog ongeev.	15 L
Nuttig volume nat ongeev.	12L
Filter - droog	HEPA filter
Filter - nat	Schuimfilter
Slang	Ø32mm
Diameter invoer (29 Afb. D)	Ø52mm
Aanbevolen stofzak	VC805AA / VC809AA
Gewicht (incl. alle accessoires) ca.	6kg

### BESCHRIJVING

De nummers in de tekst verwijzen naar de diagrammen op pagina 2 - 4.

- Schakelaar Aan / Uit
- Draaghandgreep
- Luchtpoort
- Netsnoer opslag
- Blaasfunctie adapter
- Motorbehuizing
- Vergrendelingsklem

8. Reservoir
9. Grondplaat
10. Vlotter
11. Zwenkwielen
12. Afvoeropening
13. Doop afvoeropening
14. Stofpoort
15. Filterhouder
16. Opslag mondstukken
17. Slang
18. Handgreep adapter
19. Verwijderbare handgreep
20. Handgreep
21. Vloermondstuk nat en droog
22. Rond borstelmondstuk
23. Mondstuk moeilijk bereikbare plaatsen
24. Hulpstuk autostofzuiger
25. Adapter elektrisch gereedschap
26. Stofzak
27. HEPA filter
28. Schuimfilter
29. Invoer

### 3. ASSEMBLAGE



*Schakel voor montage altijd de machine uit en verwijder de netstekker uit het stopcontact.*

1. Druk de container (8) op de grondplaat (9), zoals wordt getoond in Afb. B. Controleer dat de grondplaat (9) stevig is bevestigd.
2. Plaats het filter (27, 28). Let goed op dat u afhankelijk van de toepassing het juiste filter plaatst:
  - Schuif voor droog stofzuigen het HEPA-filter (27) voorzichtig over de filterhouder (15), zorg ervoor dat de volledige filterhouder (15) is bedekt, zoals wordt getoond in Afb. C-1.
  - Schuif voor nat opzuigen het schuimfilter (28) voorzichtig over de filterhouder (15), zorg ervoor dat de volledige filterhouder (15) is bedekt, zoals wordt getoond in Afb. C-2.
3. Plaats het bovengedeelte (6) op de container (8).
4. Sluit de stofzuigslang (17) aan.
  - Sluit voor stofzuigen (Afb. E) de stofzuigslang (17) aan op de opening (14) van de stofzuiger.
  - Sluit voor blazen (Afb. F, G) de stofzuigslang (17) aan op de uitblaasopening (3).
5. Sluit de handgreep (19) aan op het adapter (18) van de handgreep. Er kunnen één of meer buizen (20) van de stang van de stofzuiger op de hand-

greep (19) worden bevestigd, zodat de stang langer wordt (Afb. A).

6. Sluit het gewenste mondstuk aan op de adapter (18) van de handgreep, de handgreep (19) of op de buizen (20) van de stofzuiger.

#### Vloermondstuk nat en droog (21)

Het vloermondstuk is ontworpen voor nat en droog zuigwerk in het huishouden, van bijvoorbeeld de woning, werkkamer of garage.

#### Rond borstelmondstuk (22)

De borstel is ontworpen voor het opzuigen van vast vuil van kleine oppervlakken.

#### Mondstuk moeilijk bereikbare plaatsen (23)

Het mondstuk voor moeilijk bereikbare plaatsen is ontworpen voor nat en droog zuigwerk in het huishouden, voor randen en andere oppervlakken die moeilijk zijn te bereiken.

#### Hulpstuk autostofzuiger (24)

De borstel is ontworpen voor het opzuigen van vast vuil van kleine oppervlakken. Bijvoorbeeld, voor de stoelen van de auto.

#### Adapter elektrisch gereedschap (25)

Adapter voor het aansluiten van een stofzuigslang met elektrisch gereedschap.

### 4. BEDIENING



*Als de stofzuiger per ongeluk omvalt dekt de vlotter (10) de stofpoort af en stopt de zuigkracht. Wanneer dit gebeurt kunt u simpelweg de stofzuiger weer rechtop zetten en uitschakelen tot de vlotter (10) weer op de normale positie staat.*

#### Inschakelen (Afb. A)



*Nooit stofzuigen zonder filter!*

1. Rol de zuigslang (17) helemaal uit.
2. Steek de stekker in het stopcontact.
3. Druk de aan/uit-schakelaar (1) in de "ON/1" stand om de stofzuiger in te schakelen.

#### Uitschakelen (Afb. A)

Druk de aan/uit-schakelaar (1) in de "OFF/0" stand om de stofzuiger uit te schakelen.

**Droog stofzuigen (Afb. A, C – E)**

Reinig het HEPA-filter (27) regelmatig, zodat de zuigkracht behouden blijft.



Voorkom dat het HEPA-filter (27) verstopt raakt, wij adviseren u ook een stofzak (26) te gebruiken.



Fijn stof, zoals stof van cement, roet en gips zijn te fijn voor gebruik met alleen het HEPA-filter (27), zij kunnen in de motor dringen en deze beschadigen. Daarom raden wij u zeer aan een filter in combinatie met een stofzak (26) te gebruiken wanneer u deze soorten materialen opzuigt.



Een volle stofzak (26) kan openscheuren – denk er daarom aan de stofzak regelmatig te vervangen!

1. Druk de aan/uit-schakelaar (1) in de stand "OFF/0" en trek de stekker uit het stopcontact.
2. Ontgrendel de vergrendelingsklem (7) en verwijder het bovengedeelte (6).
3. Verwijder voor u gaat stofzuigen alle stof en vuil uit de container (8).
4. Schuif het HEPA-filter (27) voorzichtig over de filterhouder (15), zorg ervoor dat de filterhouder (15) volledig is bedekt, zoals wordt getoond in Afb. C-1.
5. Stofzuigen met een stofzak (26):
  - Houd de kartonnen kraag goed vast en schuif de rubberen bescherming zo ver mogelijk in de invoer (29), zoals wordt getoond in Afb. D.
  - Vouw, wanneer alles op z'n plaats zit, de stofzak (26) uit en plaats deze tegen de zijanten van de container (8).
6. Plaats het bovengedeelte (6) weer en vergrendel de vergrendelingsklem (7).
7. Steek één uiteinde van de slang (17) in de stofzuigpoort (14). Rol de zuigslang (17) helemaal uit.
8. Steek de stekker in het stopcontact.
9. Druk de aan/uit-schakelaar (1) in de stand "ON/1" en schakel zo de stofzuiger in.
10. De machine is nu klaar voor het opzuigen van droge materialen.
11. Druk de aan/uit-schakelaar (1) in de "OFF/0" stand en schakel zo de stofzuiger uit.

**Nat zuigen (Afb. A, C, E, H)**

De stofzuiger is voorzien van een vlotter (10). De zuigkracht verminderd als het maximale peil is bereikt. Schakel de stofzuiger (1) onmiddellijk uit. Trek de stekker uit het stopcontact en leeg het reservoir (8).



Reinig de vlotter (10) regelmatig en controleer het op beschadigingen. Anders kan de vlotter functie misschien niet goed werken.



Steek nooit uw hand in de vloeistof die moet worden opgezogen. Gevaar voor een elektrische schok.



Schakel het apparaat onmiddellijk uit (1) als u schuim of vloeistof uit het apparaat ziet vloeien!



Gebruik geen stofzak (26)!

1. Druk de aan/uit-schakelaar (1) in de stand "OFF/0" en trek de stekker uit het stopcontact.
2. Ontgrendel de vergrendelingsklem (7) en verwijder de motorbehuizing (6).
3. Verwijder de stofzak (26) en het HEPA-filter (27) voor u nat gaat zuigen en verwijder al het stof en vuil uit de container (8).
4. Schuif het schuimfilter (28) voorzichtig over de filterhouder (15), zorg ervoor dat de filterhouder (15) volledig is bedekt, zoals afgebeeld in Afb. C-2.
5. Plaats het bovengedeelte (6) weer terug en vergrendel de vergrendelingsklem (7).
6. Steek één uiteinde van de slang (17) in de stofzuigpoort (14). Rol de zuigslang (17) helemaal uit.
7. Steek de stekker in het stopcontact.
8. Druk de aan/uit-schakelaar (1) in de stand "ON/1" en schakel zo de stofzuiger in.
9. De machine is nu klaar voor het opzuigen van natte materialen.
10. Druk de aan/uit-schakelaar (1) in de "OFF/0" stand om de stofzuiger uit te schakelen.
11. Til de slang (17) op zodat de vloeistof in de container (8) loopt.
12. Leeg de container (8) onmiddellijk na het opzuigen van vloeistoffen, omdat de container niet is bedoeld als vloeistofopslag.

**Blaasfunctie (Afb. A, F, G)**

*Gebruik van deze functie zonder filter is aangeraden.*



*Verwijder alle stof en vuil uit het reservoir (8) voordat u de blaasfunctie gebruikt.*



*Draag altijd een veiligheidsbril wanneer u de blaasfunctie gebruikt.*



*Risico dat voorwerpen worden weggeslingerd. Houd omstanders weg van de werkplek.*

Uw stofzuiger is ook voorzien van een blaasfunctie. Te gebruiken voor het wegblazen van stof en afval.

1. Druk de aan/uit-schakelaar (1) in de stand "OFF/0" en trek de stekker uit het stopcontact.
2. Ontgrendel de vergrendelingsklem (7) en verwijder het bovengedeelte (6).
3. Verwijder de stofzak (26), het filter (27, 28) voor u de blaasfunctie gebruikt en verwijder alle stof en vuil uit de container (8).
4. Plaats het bovengedeelte (6) weer en vergrendel de vergrendelingsklem (7).
5. Steek één uiteinde van de slang (17) in de uitblaaspoort (3) bovenop het apparaat. Rol de zuigslang (17) helemaal uit.
6. Steek de stekker in het stopcontact.
7. Druk de aan/uit-schakelaar (1) in de stand "ON/1" en schakel zo de stofzuiger in.
8. De machine is nu klaar voor gebruik om stof en vuil weg te blazen.
9. Druk de aan/uit-schakelaar (1) in de "OFF/0" stand om de stofzuiger uit te schakelen.

**Werkzaamheden beëindigen (Afb. A)**

1. Schakel het apparaat uit (1) en trek de stekker uit het stopcontact.
2. Open afvoeropening (12) zodat de opgezogen vloeistof uit het apparaat kan lopen.
3. Sluit de afvoeropening (12).
4. Verwijder de motorbehuizing (6) en leeg het reservoir (8).
5. Reinig de machine met een zachte doek.
6. Berg het netsnoer en alle hulpstukken op in het apparaat. Berg het apparaat op in een droge ruimte.

**5. ONDERHOUD**

*Verbreek altijd eerst de aansluiting op de stroomvoorziening en voer dan pas onderhoudswerk aan de machine uit.*

Reinig de machinebehuizing regelmatig met een zachte doek, bij voorkeur iedere keer na gebruik. Zorg dat de ventilatiesleuven vrij van stof en vuil zijn. Gebruik bij hardnekkig vuil een zachte doek bevochtigd met zeepwater. Gebruik geen oplosmiddelen als benzine, alcohol, ammonia, etc. Dergelijke stoffen beschadigen de kunststof onderdelen.

**Container**

Leeg de container (8) onmiddellijk na het opzuigen van vloeistoffen, omdat de container niet is bedoeld als vloeistofopslag.

1. Open afvoeropening (12) zodat de opgezogen vloeistof uit het apparaat kan lopen.
2. Sluit de afvoeropening (12).
3. Verwijder bovengedeelte (6) en leeg de container (8).
4. Reinig de machine met een zachte doek.

**Filters (Afb. A)**

*Voor de beste prestaties raden wij aan om de filters (17, 18) regelmatig te vervangen.*

1. Verwijder voorzichtig het HEPA-filter (17) of het schuimfilter (18).
2. Gebruik milde zeep en water om het filter te reinigen en spoel het daarna af met schoon water.
3. Laat het filter goed drogen voordat u het filter weer gebruikt.
4. Plaats het filter terug.

**Vlotter en filterhouder (Afb. H)**

Reinig de vlotter (10) en de filterbehuizing (15) regelmatig met een zachte doek en controleer op beschadigingen. Anders kan de vlotter functie misschien niet goed werken.

**MILIEU**

*Defecte en/of afgedankte elektrische of elektronische gereedschappen dienen ter verwerking te worden aangeboden aan een daarvoor verantwoordelijke instantie.*

### Uitsluitend voor EG-landen

Werp elektrisch gereedschap niet weg bij het huisvuil. Conform de Europese Richtlijn 2012/19/EG voor Afdankte Elektrische en Elektronische Apparatuur en de implementatie ervan in nationaal recht moet niet langer te gebruiken elektrisch gereedschap gescheiden worden verzameld en op een milieuvriendelijke wijze worden verwerkt.

## GARANTIE

VONROC producten zijn ontworpen volgens de hoogste kwaliteitsstandaarden en gegarandeerd vrij van defecten, zowel materieel als fabrieksfouten, tijdens de wettelijk vastgestelde garantieperiode vanaf de eerste aankoopdatum. Mocht het product tijdens deze periode gebreken vertonen veroorzaakt door defecte materialen en/of fabrieksfouten, neem dan rechtstreeks contact op met VONROC.

De volgende situaties vallen niet onder de garantie:

- Er zijn reparaties of aanpassingen aan de machine uitgevoerd, of er is een poging daartoe ondernomen, door een niet-geautoriseerd servicecentrum.
- Normale slijtage.
- De machine is misbruikt, verkeerd gebruikt of slecht onderhouden.
- Er zijn niet-originele reserveonderdelen gebruikt.

Dit vormt de enige garantie opgesteld door het bedrijf zowel expliciet als impliciet. Er bestaan geen andere garanties expliciet of impliciet welke verder gaan dan deze garantie, inclusief impliciete garanties van verkoopbaarheid en geschiktheid voor bepaalde doeleinden. In geen enkel geval kan VONROC aansprakelijk worden gesteld voor incidentele schade of gevolgschade. Reparaties van dealers zijn gelimiteerd tot de reparatie of vervanging van defecte producten of onderdelen.

**Het product en de gebruikershandleiding zijn onderhevig aan wijzigingen. Specificaties kunnen zonder opgave van redenen worden gewijzigd.**

## 1. CONSIGNES DE SÉCURITÉ

Consultez les avertissements de sécurité, les avertissements de sécurité additionnels ainsi que les instructions fournis ici. Le non respect des avertissements de sécurité et des instructions peut occasionner une électrocution, un incendie ou des blessures graves. Conservez les avertissements de sécurité et les instructions pour référence future.

Les symboles suivants sont utilisés dans le manuel d'utilisation ou apposés sur le produit:



*Lisez le manuel d'utilisation.*



*Signale un risque de blessures, un danger mortel ou un risque d'endommagement de l'outil en cas de non-respect des instructions de ce manuel.*



*Risque d'électrocution.*



*En cas d'endommagement du câble secteur et durant le nettoyage et l'entretien, débranchez immédiatement la fiche de la prise secteur.*



*Machine de classe II - Double isolation - Vous n'avez pas besoin de prise avec mise à la terre.*



*Si la température des substances dépasse 40°C, un risque d'incendie est possible.*



*Ne jetez pas le produit dans des conteneurs qui ne sont pas prévus à cet effet.*



*Le produit est conforme aux normes de sécurité applicables des directives européennes.*

### REMARQUES LIEES A LA SECURITE

CET APPAREIL PEUT ETRE UTILISE PAR DES ENFANTS AGES DE 8 ANS ET PLUS ET PAR DES PERSONNES AUX CAPACITES PHYSIQUES, SENSORIELLES OU MENTALES REDUITES, OU QUI MANQUENT D'EXPERIENCE ET DE CONNAISSANCE, A CONDITION QU'ILS SOIENT SUPERVISES OU QU'ILS AIENT ETE FORMES SUR LA FACON SURE D'UTILISER L'APPAREIL ET QU'ILS COMPRENENT LES RISQUES ENCOURUS. LES ENFANTS NE DOIVENT PAS JOUER AVEC

L'APPAREIL. LE NETTOYAGE ET LES OPERATIONS DE MAINTENANCE A REALISER PAR L'UTILISATEUR NE DOIVENT PAS ETRE EXECUTES PAR DES ENFANTS SANS SURVEILLANCE. SI LE CABLE D'ALIMENTATION EST ENDOMMAGE, IL DOIT ETRE REMPLACE PAR LE FABRICANT, L'UN DE SES PRESTATAIRES DE SERVICES OU TOUTE AUTRE PERSONNE DISPOSANT DES MEMES QUALIFICATIONS AFIN D'EVITER TOUT RISQUE. LA PRISE DOIT ETRE DEBRANCHEE DE LA PRISE DE COURANT AVANT DE PROCEDER AU NETTOYAGE OU A LA MAINTENANCE DE L'APPAREIL.

- 1) Maintenez la zone de travail propre : Les zones de travail et les établis encombrés sont propices aux blessures.
- 2) L'aspirateur doit être assemblé correctement avant l'utilisation.
- 3) N'utilisez que des rallonges électriques homologues pour l'extérieur (lorsque l'aspirateur est utilisé à l'extérieur) et veillez à ce qu'elles restent en parfait état.
- 4) Protégez les câbles électriques et veillez, en particulier, à ne pas les écraser et à ne pas tirer dessus, à ce qu'ils ne soient pas endommagés par des pièces ou des bords tranchants ou encore par des pièces mobiles ou à ce qu'ils ne soient pas endommagés par des liquides corrosifs.
- 5) N'utilisez pas une rallonge qui aurait été endommagée. N'effectuez aucune réparation temporaire ou permanente sur le câble lui-même.
- 6) N'utilisez pas un aspirateur dont le cordon électrique est endommagé. Faites installer un nouveau câble par un prestataire de services agréé.
- 7) Ne fixez rien d'autre sur la prise, les cordons électriques ou les rallonges.
- 8) Avant de brancher votre aspirateur à la prise de courant, assurez-vous que la tension et les exigences liées à la prise correspondent, tels que mentionnées sur l'étiquette présente près du cordon.
- 9) Ne tirez pas l'appareil par son câble.
- 10) Votre machine doit toujours être éteinte avant de la débrancher de la prise de courant ou de la rallonge.
- 11) Éteignez l'appareil et débranchez-le de la prise électrique avant de le laisser sans surveillance (même pour un court instant). Faites de même en cas de perte de puissance.
- 12) Ne sous-estimez pas la puissance de l'outil. Gardez toujours une posture stable et équilibrée.
- 13) Gardez les enfants et les animaux à l'écart de la machine. Une distance de sécurité doit être conservée avec toutes les personnes à proximité, lorsque la machine est en marche.
- 14) L'appareil ne doit pas être utilisé par les enfants ou les personnes qui ne sont pas familiarisées avec l'appareil ou qui n'ont pas lu cette notice d'utilisation.
- 15) L'utilisateur de l'appareil est responsable de la sécurité des autres personnes pendant l'utilisation.
- 16) L'aspirateur ne doit être utilisé qu'aux fins pour lesquelles il a été conçu.
- 17) Avant de réaliser des opérations de maintenance, de réglage ou de nettoyage sur l'aspirateur, éteignez-le, débranchez-le de la prise électrique et attendez que le moteur soit arrêté.
- 18) Soyez particulièrement vigilant pendant les vérifications, le nettoyage et la maintenance de l'appareil et portez des gants de travail épais pour protéger vos mains.
- 19) Les dispositifs de sécurité tout comme les cordons électriques ne doivent sous aucun prétexte être modifiés ou retirés de la machine.
- 20) La machine doit être gardée droite sur une surface stable ou tenue pendant son utilisation.
- 21) Ne travaillez que de jour ou si vous disposez d'un éclairage artificiel approprié.
- 22) Nous vous recommandons d'utiliser des protections auditives pour protéger vos oreilles.
- 23) Si la machine se met à vibrer anormalement, arrêtez le moteur et recherchez immédiatement la cause de ces vibrations. Les vibrations sont toujours un signe de problème.
- 24) L'aspirateur doit être vérifié correctement avant chaque utilisation. N'utilisez pas une machine qui ne serait pas en parfait état. Si vous détectez un problème qui pourrait constituer un danger pour l'utilisateur, faites réparer la machine avant de l'utiliser.
- 25) Pour des raisons évidentes de sécurité, remplacez toutes les pièces usées ou endommagées. N'utilisez que des pièces détachées approuvées par le fabricant. Les pièces provenant d'autres sources que le fabricant lui-même peuvent ne pas être parfaitement adaptées, elles peuvent être dangereuses et entraîner des blessures. Le cordon électrique ne peut être remplacé que dans un centre d'assistance client spécialisé.
- 26) N'utilisez l'aspirateur que dans des zones sèches et protégées des intempéries. Ne l'utilisez pas à l'extérieur s'il pleut.
- 27) Rangez l'appareil dans un endroit sec, hors de portée des enfants.



- 28) Ne laissez pas le cordon électrique traîner une fois le nettoyage terminé. Il pourrait faire rebu-cher des personnes.
- 29) Soyez prudent pour vider le réservoir, surtout s'il est lourd.
- 30) Afin d'éviter tout risque de combustion sponta-nee, videz le réservoir après chaque utilisation.
- 31) N'utilisez pas cette machine pour aspirer des ma-tieres inflammables ou des liquides com-bustibles, comme de l'essence, du toner ou des substances volatiles et n'utilisez pas la machine dans les lieux où ces matières sont présentes. N'aspirez pas d'acides.
- 32) Veillez à n'aspirer aucune matière toxique, can-cerigène, combustible ou toute autre matière dangereuse, comme l'amiante, la poussière d'amiante, l'arsenic, le baryum, le beryllium, le plomb, les pesticides ou toute autre substance dangereuse pour votre santé.
- 33) Soyez extrêmement prudent en aspirant les cen-dres de bois et de charbon, la suie, le ciment, le plâtre ou la poussière de panneau de plâtre. Ces particules sont extrêmement fines. Elles peuvent traverser les filtres et amoindrir les per-formances du moteur ou encore être projetées dans l'air. Nous recommandons donc vivement d'utiliser le filtre en tissu avec un sac à pou-sière lorsque ce type de matières est aspiré.
- 34) N'aspirez aucune substance incandescente ou en train de se consumer comme des cigarettes, des mégots, des allumettes ou des cendres chaudes.
- 35) N'aspirez jamais d'eau salée, elle pourrait détru-ire le moteur.

**AVERTISSEMENTS LIÉS À LA SÉCURITÉ PROPRES AUX OPÉRATIONS DE SOUFFLAGE**

- a) Ne dirigez l'échappement d'air que vers la zone d'intervention. Jamais vers d'autres personnes ou des animaux.
- b) Risque de projection d'objets. Éloignez les personnes à proximité de la zone d'intervention.
- c) Portez systématiquement des lunettes de protection pour utiliser la fonction Soufflage.

**Sécurité électrique**

Lorsque vous utilisez des machines électriques, veuillez toujours observer les consignes de sécurité locales en vigueur afin de réduire les risques d'in-cendie, de décharge électrique et de blessure. En plus des instructions ci-dessous, lisez entièrement les consignes de sécurité fournies avec le produit.



Vérifiez que la tension d'alimentation correspond à la tension nominale indiquée sur la plaque signalétique.



Machine de classe II - Double isolation - Vous n'avez pas besoin de prise avec mise à la terre.

Si vous êtes contraint d'utiliser un outil électrique dans un environnement humide, utilisez une ali-mentation protégée par un dispositif à courant rési-duel (RCD). L'utilisation d'un RCD réduit le risque de décharge électrique.

**2. INFORMATIONS RELATIVES À LA MACHINE**

**Utilisation prévue**

L'aspirateur est prévu pour l'aspiration domestique d'éléments secs et humides, à la maison, dans les pièces en travaux, les véhicules ou les garages. L'aspirateur dispose d'une fonction Soufflage. Il peut servir pour souffler la poussière et les débris. Cet appareil n'est pas destiné à un usage commer-cial ou industriel.

**SPECIFICATIONS TECHNIQUES**

N° de modèle	VC506AC
Tension de secteur	220-240V~
Fréquence de secteur	50-60 Hz
Entrée d'alimentation	1400W
Longueur de câble	6m
Classe de protection	IPX4
Puissance d'aspiration	19 kPA, 1,8 m³/min
Capacité du réservoir env.	20 L
Volume utile sec env.	15 L
Volume utile humide env.	12L
Filtre - élément sec	Filtre HEPA
Filtre - élément humide	Filtre à mousse
Tube	Ø32mm
Diamètre de la prise d'entrée d'air (29 Fig. D)	Ø52mm
Sac à poussière recommandé	VC805AA / VC809AA
Poids (avec tous les accessoires) env.	6kg

## DESCRIPTION

Les numeros dans le texte se rapportent aux schemas des page 2-4.

1. Interrupteur marche/arrêt
2. Poignée de transport
3. Prise Soufflage
4. Rangement pour le cable électrique
5. Adaptateur de fonction de soufflage
6. Section haute
7. Attaches
8. Reservoir
9. Base
10. Flotteur
11. Roulettes
12. Sortie évacuation
13. Cache Sortie évacuation
14. Prise Aspiration
15. Cage du filtre
16. Rangement des embouts
17. Tuyau
18. Adaptateur poignée
19. Poignée amovible
20. Poignée
21. Embout pour sol mouillé, sec
22. Brosse ronde
23. Suceur plate
24. Embout pour l'aspiration dans les véhicules
25. Adaptateur pour outil électrique
26. Sac a poussiere
27. Filtre HEPA
28. Filtre en mousse
29. Prise d'entree

## 3. MONTAGE



*Avant le montage, mettez toujours la machine hors tension et debranchez la fiche de la prise secteur.*

1. Enfoncez le bac (8) sur la base (9), comme illustré par la Fig. B. Veillez à ce que la base (9) soit parfaitement fixée.
2. Installez le filtre (27, 28). Veillez à installer le bon filtre en fonction de votre utilisation :
  - Pour aspirer des éléments secs, glissez soigneusement le filtre HEPA (27) sur la cage du filtre (15), en veillant à ce que l'intégralité de la cage (15) soit bien recouverte, comme illustré par la Fig. C-1.

- Pour aspirer des éléments humides, glissez soigneusement le filtre en mousse (28) sur la cage du filtre (15), en veillant à ce que l'intégralité de la cage (15) soit bien recouverte, comme illustré par la Fig. C-2.
3. Installez la section haute (6) sur le bac (8).
  4. Raccordez le tuyau d'aspiration (17).
    - Pour aspirer (Fig. E), raccordez le tuyau d'aspiration (17) à la prise Aspiration (14).
    - Pour souffler (Fig. F, G), raccordez le tuyau d'aspiration (17) à la prise Soufflage (3).
  5. Raccordez la poignée (19) à l'adaptateur (18). Il est possible d'installer un ou plusieurs tubes d'aspiration (20) sur la poignée (19) pour qu'ils servent de rallonge (Fig. A).
  6. Installez l'embout voulu sur l'adaptateur (18), la poignée (19) ou les tubes d'aspiration (20).

### Embout pour sol mouillé et sec (21)

L'embout pour les sols est prévu pour l'aspiration domestique d'éléments secs et humides, à la maison, dans les pièces en travaux ou les garages.

### Brosse ronde (22)

La brosse est conçue pour aspirer les solides sur de petites surfaces.

### Suceur plat (23)

Le suceur plat est conçu pour l'aspiration domestique d'éléments secs et humides sur les rebords et les autres zones difficiles d'accès.

### Embout pour l'aspiration dans les véhicules (24)

La brosse est conçue pour aspirer les solides sur de petites surfaces. Les sièges de véhicules par exemple.

### Adaptateur pour outil électrique (25)

Adaptateur pour raccorder le tuyau d'aspiration à un outil électrique.

## 4. FONCTIONNEMENT



*Si l'aspirateur est renversé par accident, le mécanisme du flotteur (10) peut être amené à recouvrir le port d'aspiration du moteur et à stopper l'aspiration. Si cela se produit, redressez simplement l'aspirateur et éteignez-le, le temps que le flotteur (10) ait retrouvé sa position d'origine.*

**Mettre l'appareil en marche (Fig. A)**

*N'aspirez rien si le filtre HEPA n'est pas installé!*

1. Dépliez complètement le tuyau d'aspiration (17).
2. Branchez la prise électrique.
3. Enfoncez l'interrupteur (1) sur la position "Marche/1" pour allumer l'aspirateur.

**Éteindre l'appareil (Fig. A)**

Enfoncez l'interrupteur (1) sur la position "Arrêt/0" pour éteindre l'aspirateur.

**Aspirer des éléments secs (Fig. A, C – E)**

*Nettoyez régulièrement le filtre HEPA (27) pour maintenir la puissance d'aspiration.*



*Afin d'éviter l'encrassement du filtre HEPA (27), nous vous recommandons d'utiliser, en plus, un sac à poussière (26).*



*Les poussières fines, comme les poussières de ciment, la suie ou le plâtre sont trop fines pour le filtre HEPA (27) seul, elles risquent de pénétrer dans le moteur et de l'endommager. Nous vous recommandons donc vivement d'utiliser un sac à poussière (26) lorsque ce type de matières est aspiré.*



*Un sac à poussière plein (26) peut éclater, vous devez donc veiller à remplacer le sac au bon moment!*

1. Enfoncez l'interrupteur (1) sur la position "Arrêt/0" et débranchez la prise électrique du secteur.
2. Déverrouillez l'attache (7) et retirez la section haute (6).
3. Avant d'aspirer, retirez toute la poussière et tous les débris du bac (8).
4. Glissez soigneusement le filtre en HEPA (27) sur la cage du filtre (15), en veillant à ce que l'intégralité de la cage (15) soit bien recouverte, comme illustré par la Fig. C-1.
5. Pour aspirer avec un sac à poussière (26) :
  - Tenez fermement l'anneau en carton du sac et glissez la protection en caoutchouc aussi loin que possible sur la prise d'entrée (29), comme illustré par la Fig. D.
  - Une fois que tout est en place, dépliez le sac (26) et positionnez-le autour des parois à l'intérieur du bac (8).

6. Réinstallez la section haute (6) et verrouillez l'attache (7).
7. Insérez une extrémité du tuyau (17) dans la prise Aspiration (14). Dépliez complètement le tuyau d'aspiration (17).
8. Branchez la prise électrique.
9. Enfoncez l'interrupteur (1) sur la position "Marche/1" pour allumer l'aspirateur.
10. La machine est alors prête à aspirer des éléments secs.
11. Enfoncez l'interrupteur (1) sur la position "Arrêt/0" pour éteindre l'aspirateur.

**Aspirer des éléments humides (Fig. A, C, E, H)**

*L'aspirateur est équipé d'un flotteur (10). La puissance d'aspiration diminue une fois le niveau de remplissage maximum atteint. Éteignez (1) alors l'aspirateur immédiatement. Retirez la prise de courant et videz le réservoir (8).*



*Nettoyez le flotteur (10) et vérifiez qu'il n'est pas endommagé à intervalles réguliers. Le bon fonctionnement pourrait sinon être altéré.*



*N'entrez jamais en contact avec l'eau devant être aspirée. Risque de décharge électrique.*



*Éteignez (1) immédiatement la machine si vous constatez la formation de mousse ou si du liquide s'en échappe!*



*N'utilisez pas de sac à poussière (26)!*

1. Enfoncez l'interrupteur (1) sur la position "Arrêt/0" et débranchez la prise électrique du secteur.
2. Déverrouillez les attaches (7) et retirez la section haute (6).
3. Avant d'aspirer des éléments humides, retirez le sac à poussière (26), le filtre en HEPA (27) et retirez toute la poussière et tous les débris du bac (8).
4. Glissez soigneusement le filtre en mousse (28) sur la cage du filtre (15), en veillant à ce que l'intégralité de la cage (15) soit bien recouverte, comme illustré par la figure C-2.
5. Réinstallez la section haute (6) et verrouillez l'attache (7).

6. Insérez une extrémité du tuyau (17) dans la prise Aspiration (14). Dépliez complètement le tuyau d'aspiration (17).
7. Branchez la prise électrique.
8. Enfoncez l'interrupteur (1) sur la position "Marche/ I" pour allumer l'aspirateur.
9. La machine est alors prête à aspirer des éléments humides.
10. Enfoncez l'interrupteur (1) sur la position "Arrêt/0" pour éteindre l'aspirateur.
11. Soulevez le tuyau (17) pour que le liquide s'écoule dans le réservoir (8).
12. Videz le bac (8) immédiatement après l'aspiration car il n'est pas prévu pour conserver des liquides à l'intérieur.

### Fonction Soufflage (Fig. A, F, G)



*L'utilisation sans filtre est recommandée.*



*Retirez tous les débris du réservoir (8) avant d'utiliser la fonction Soufflage.*



*Portez systématiquement des lunettes de protection pour utiliser la fonction Soufflage.*



*Risque de projection d'objets. Eloignez les personnes à proximité de la zone d'intervention.*

Votre aspirateur dispose d'une fonction Soufflage. Il peut servir pour souffler la poussière et les débris.

1. Enfoncez l'interrupteur (1) sur la position "Arrêt/0" et débranchez la prise électrique du secteur.
2. Déverrouillez l'attache (7) et retirez la section haute (6).
3. Avant le soufflage, retirez le sac à poussière (26), le filtre (27 ou 28) et retirez tous les débris du réservoir (8).
4. Réinstallez la section haute (6) et verrouillez l'attache (7).
5. Insérez une extrémité du tuyau (17) dans la prise Soufflage (3) en haut de la machine. Dépliez complètement le tuyau d'aspiration (17).
6. Branchez la prise électrique.
7. Enfoncez l'interrupteur (1) sur la position "Marche/I pour allumer l'aspirateur.
8. La machine est alors prête à souffler la poussière ou les débris.

9. Enfoncez l'interrupteur (1) sur la position "Arrêt/ 0" pour éteindre l'aspirateur.

### Après l'utilisation (Fig. A)

1. Éteignez (1) la machine et débranchez la prise électrique du secteur.
2. Ouvrez la sortie d'évacuation (12) pour laisser s'écouler le liquide aspiré.
3. Fermer la sortie d'évacuation (12).
4. Retirez la section haute (6) et videz le réservoir (8).
5. Nettoyez la machine à l'aide d'un chiffon doux.
6. Rangez le câble électrique et les accessoires de la machine. Rangez l'appareil dans un endroit sec.

## 5. ENTRETIEN



*Débranchez toujours la machine du secteur avant d'effectuer toute opération de maintenance.*

Nettoyez le corps de la machine régulièrement au moyen d'un chiffon doux, de préférence après chaque utilisation. Vérifiez que les ouvertures d'aération ne sont pas obstruées ni sales. Utilisez un chiffon doux légèrement humidifié avec de la mousse de savon pour nettoyer les taches persistantes. N'utilisez pas de produits de nettoyage tels que l'essence, l'alcool, l'ammoniac, etc.; ces produits peuvent endommager les parties synthétiques.

### Bac

Videz le bac (8) immédiatement après l'aspiration car il n'est pas prévu pour conserver des liquides à l'intérieur.

1. Ouvrez la sortie d'évacuation (12) pour laisser s'écouler le liquide aspiré.
2. Fermer la sortie d'évacuation (12).
3. Retirez la section haute (6) et videz le réservoir (8).
4. Nettoyez la machine à l'aide d'un chiffon doux.

### Filtres (Fig. A)



*Pour que les performances restent optimales, il est recommandé de remplacer les filtres (17, 18) régulièrement, en fonction du degré d'utilisation.*

1. Retirez soigneusement le filtre HEPA (17) ou le filtre en mousse (18).
2. Utilisez une solution à base d'eau et de savon doux pour laver le filtre avant de le rincer à l'eau claire.
3. Laissez complètement sécher le filtre avant de le réinstaller et de le réutiliser.
4. Réinstallez le filtre.

#### Flotteur et cage du filtre (Fig. H)

Nettoyez régulièrement le flotteur (10) et la cage du filtre (15) avec un chiffon doux, et contrôlez qu'ils sont en bon état. Le bon fonctionnement pourrait sinon être altéré.

Ceci constitue l'unique garantie accordée par la société explicitement ou implicitement. Il n'existe aucune autre garantie, explicite ou implicite, qui peut s'étendre au-delà du contenu ici présent, y compris les garanties marchandes ou d'adaptation à des fins particulières. En aucun cas VONROC ne sera tenu responsable de dommages accidentels ou consécutifs. Les solutions proposées par les revendeurs devront se limiter à la réparation ou le remplacement des éléments ou pièces non conformes.

**Le produit et le manuel d'utilisation sont sujets à modifications. Les spécifications peuvent changer sans préavis.**

## ENVIRONNEMENT



*Les équipements électroniques ou électriques défectueux ou destinés à être mis au rebut doivent être déposés aux points de recyclage appropriés.*

#### Uniquement pour les pays de l'UE

Ne jetez pas les outils électriques avec les déchets domestiques. Selon la Directive européenne 2012/19/CE relative aux déchets d'équipements électriques et électroniques et sa mise en œuvre dans le droit national, les outils électriques hors d'usage doivent être collectés séparément et mis au rebut de manière écologique.

## GARANTIE

Les produits VONROC sont développés aux plus hauts standards de qualité et ils sont garantis contre les défauts de pièces et de main d'œuvre pendant la durée légale stipulée à partir de la date d'achat d'origine du produit. En cas d'une quelconque panne du produit pendant cette durée qui serait due à un défaut matériel et/ou de main d'œuvre, contactez directement VONROC.

Les circonstances suivantes ne sont pas prises en charge par la garantie:

- Des réparations ou altérations ont été effectuées ou tentées sur la machine par un centre de réparation non agréé.
- L'usure normale.
- L'outil a été maltraité, mal utilisé ou mal entretenu.
- Des pièces détachées non d'origine ont été utilisées.

## 1. INSTRUCCIONES DE SEGURIDAD

Lea las advertencias de seguridad, las advertencias de seguridad adicionales y las instrucciones adjuntas. De no respetarse las advertencias de seguridad y las instrucciones, podrían producirse descargas eléctricas, incendios y/o lesiones graves. Conserve las advertencias de seguridad y las instrucciones para su posterior consulta.

Los siguientes símbolos se utilizan en el manual de usuario o en el producto:



*Lea el manual de usuario.*



*Denota riesgo de lesiones personales, pérdida de vida o daños a la herramienta en caso de incumplimiento de las instrucciones del presente manual.*



*Riesgo de choque eléctrico.*



*Saque inmediatamente el enchufe de alimentación de red si el cable de red está dañado y cuando realice operaciones de limpieza y mantenimiento.*



*Máquina de clase II - Doble aislamiento - No necesita enchufe con puesta a tierra.*



*Si la temperatura del material supera los 40 °C, se producirá un riesgo de incendio.*



*No tire el producto en contenedores no apropiados.*



*El producto es conforme con las normas de seguridad vigentes en las Directivas Europeas.*

### NOTAS RELATIVAS A LA SEGURIDAD

ESTE APARATO PUEDE SER UTILIZADO POR NIÑOS A PARTIR DE 8 AÑOS DE EDAD Y POR PERSONAS CON CAPACIDADES FÍSICAS, SENSORIALES O MENTALES REDUCIDAS O QUE CAREZCAN DE EXPERIENCIA Y CONOCIMIENTOS, SI ESTAN SUPERVISADAS O CAPACITADAS SOBRE EL USO DEL APARATO DE MODO SEGURO Y SI COMPRENDEN LOS PELIGROS QUE SUPONE. LOS NIÑOS NO DEBEN JUGAR CON EL APARATO. LA LIMPIEZA Y EL MANTENIMIENTO DE USUARIO NO DEBEN SER EFECTUADOS POR NIÑOS,

SIN SUPERVISIÓN. SI EL CABLE DE ALIMENTACIÓN SE DANA, DEBE SER SUSTITUIDO POR EL FABRICANTE, UN TALLER DE REPARACIÓN AUTORIZADO U OTRAS PERSONAS CON UNA CUALIFICACIÓN SIMILAR, CON EL FIN DE EVITAR PELIGROS. ANTES DE LIMPIAR O REALIZAR TRABAJOS DE MANTENIMIENTO EN EL APARATO, SE DEBE SACAR EL ENCHUFE DE LA TOMA DE CORRIENTE.

- 1) Mantenga limpia el área de trabajo: las áreas y los bancos de trabajo desordenados pueden dar lugar a lesiones.
- 2) La aspiradora debe haberse montado correctamente antes de usarla.
- 3) Utilice únicamente cables alargadores aprobados para uso en exterior (cuando la aspiradora se utilice en el exterior) y asegurese de que siempre se encuentren en buen estado.
- 4) Proteja los cables eléctricos y, en particular, asegurese de que no se aplasten ni estiren, ni sufran daños por bordes o piezas afiladas o móviles, o por líquidos corrosivos.
- 5) No utilice cables alargadores dañados. No haga reparaciones permanentes ni temporales en los cables usted mismo.
- 6) No utilice una aspiradora que tenga el cable eléctrico dañado. Acuda a un taller autorizado para que se instale un nuevo cable.
- 7) No conecte ningún otro elemento a la toma de corriente, los cables eléctricos o el cable alargador.
- 8) Antes de enchufar la aspiradora a la toma de corriente, asegurese de que la tensión y la potencia necesarias coincidan con las indicaciones que aparecen en la etiqueta que se encuentra junto al cable.
- 9) No tire del dispositivo por el cable.
- 10) La máquina siempre debe estar desconectada antes de desenchufarla de la toma eléctrica o del cable alargador.
- 11) Antes de dejar el dispositivo sin supervisión (aunque sea por muy poco tiempo), apáguelo y desenchúfelo de la toma de corriente. También debe hacer esto si se produce un corte eléctrico.
- 12) No subestime su potencia. Mantenga siempre una posición equilibrada y estable.
- 13) Mantenga a los niños y las mascotas alejados de la máquina. Cuando la máquina este en marcha, todos deben mantenerse a una distancia segura.
- 14) El dispositivo no debe ser utilizado por niños ni personas que no estén familiarizadas con el

o que no hayan leído este manual de instrucciones.

- 15) El usuario del dispositivo es responsable de la seguridad de otras personas mientras lo este utilizando.
- 16) La aspiradora se debe utilizar exclusivamente con los fines previstos.
- 17) Antes de realizar cualquier trabajo de mantenimiento, ajuste o limpieza en la aspiradora, apague la, desenchufe de la toma de corriente y espere a que el motor se detenga.
- 18) Tenga mucho cuidado al comprobar o realizar trabajos de limpieza o mantenimiento en el dispositivo, y use guantes de trabajo gruesos para protegerse las manos.
- 19) Los dispositivos de seguridad y los cables eléctricos no se deben modificar ni retirar de la máquina.
- 20) Cuando utilice la máquina, debe sostenerla sobre una superficie estable o con el cuerpo.
- 21) Trabaje únicamente a la luz del día o con luz artificial adecuada.
- 22) Recomendamos que se utilice algún tipo de protección auditiva.
- 23) Si la máquina produce vibraciones anómalas, detenga el motor e investigue la causa inmediatamente. Por lo general, las vibraciones indican que hay un problema.
- 24) La aspiradora debe comprobarse correctamente antes de cada uso. No utilice una máquina que no se encuentre en perfecto estado. Si observa algún problema que pudiera generar peligro para el usuario, lleve la máquina a reparar antes de usarla.
- 25) Por motivos de seguridad, cambie las piezas desgastadas o dañadas. Utilice exclusivamente piezas de repuesto aprobadas por el fabricante. Las piezas no procedentes del fabricante podrían no ajustarse correctamente o podrían resultar peligrosas o provocar lesiones. Únicamente los servicios técnicos especializados en atención al cliente deben cambiar el cable de alimentación.
- 26) Utilice la aspiradora únicamente en zonas secas y que estén resguardadas de las inclemencias meteorológicas. Si llueve, no debe utilizarla en el exterior.
- 27) Guarde la aspiradora en un lugar seco, fuera del alcance de los niños.
- 28) No deje el cable de alimentación tirado una vez haya terminado de limpiar, ya que alguien podría tropezar con él.
- 29) Tenga cuidado al vaciar depósitos muy pesados.

- 30) Para evitar la combustión espontánea, vacíe el depósito después de cada uso.
- 31) No utilice esta máquina para aspirar líquidos inflamables o combustibles, como gasolina, polvo de fotocopiadora o sustancias volátiles; y no utilice la máquina en lugares donde se encuentren esos líquidos. No aspire ácidos.
- 32) No aspire materiales que sean tóxicos, cancerígenos, combustibles o peligrosos de cualquier otra manera; por ejemplo, amianto, polvo de amianto, arsenico, bario, berilio, plomo, pesticidas u otras sustancias peligrosas para la salud.
- 33) Actúe con precaución extrema al aspirar cenizas de madera o carbón, hollín, cemento, yeso o polvo de escayola. Esas partículas son muy finas y pueden atravesar los filtros y afectar al funcionamiento del motor o salir al aire. En caso de que fuera necesario aspirar estos tipos de material, recomendamos encarecidamente que se utilice un filtro de tela con una bolsa para recoger polvo.
- 34) No aspire nada que este ardiendo o tenga brasas, como cigarrillos, colillas, cerillas o cenizas calientes.
- 35) No debe aspirar agua salada, porque podría destruir el motor.

### ADVERTENCIAS DE SEGURIDAD ESPECÍFICAS PARA EL SOPLADO

- a) Oriente la descarga de aire únicamente a la zona de trabajo, nunca a personas ni animales.
- b) Riesgo de proyección de objetos. Mantenga a las personas ajenas a la máquina alejadas de la zona de trabajo.
- c) Utilice siempre gafas de seguridad antes de utilizar la función de soplado.

### Seguridad eléctrica

Cuando use máquinas eléctricas observe siempre las normas de seguridad aplicables en su país para reducir el riesgo de incendios, descargas eléctricas y lesiones personales. Lea las siguientes instrucciones de seguridad y las instrucciones de seguridad adjuntas.



*Compruebe siempre que la tensión de la fuente de energía corresponda con la tensión de la etiqueta de la placa de datos.*



*Máquina de clase II - Doble aislamiento - No necesita enchufe con puesta a tierra.*

Si no se puede evitar el uso de la herramienta eléctrica en un lugar húmedo, use suministro protegido mediante dispositivo diferencial residual (DDR). El uso de un DDR reduce el riesgo de choque eléctrico.

## 2. INFORMACIÓN DE LA MÁQUINA

### Uso previsto

La aspiradora debe utilizarse para aspirar en mojado y en seco en ambientes domésticos, por ejemplo, en una vivienda, un despacho, un vehículo o un garaje. La aspiradora está equipada con una función de soplado. Puede usarse para soplar polvo y residuos. El dispositivo no ha sido diseñado para uso comercial o industrial.

### ESPECIFICACIONES TÉCNICAS

Modelo n.º	VC506AC
Alimentación de red	220-240V~
Frecuencia de alimentación	50-60 Hz
Potencia de entrada	1400W
Longitud del cable	6m
Categoría de protección	IPX4
Fuerza de aspiración	19 kPA, 1,8 m³/min
Capacidad aproximada del contenedor	20 L
Volumen útil seco aprox.	15 L
Volumen útil húmedo aprox.	12L
Filtro - seco	Filtro HEPA
Filtro - mojado	Filtro de espuma
Sistema de mangueras	Ø32mm
Diámetro del puerto de entrada (19 fig. D)	Ø52mm
Bolsa de polvo recomendada	VC805AA / VC809AA
Peso (incl. todos los accesorios) aprox.	6kg

### DESCRIPCIÓN

Los números del texto se refieren a los diagramas en la página 2-4.

1. Interruptor de Encendido/Apagado
2. Asa de transporte
3. Puerto de soplado
4. Almacenamiento del cable de alimentación
5. Adaptador de función de soplado

6. Parte superior
7. Abrazadera de bloqueo
8. Contenedor
9. Base
10. Flotador
11. Ruedas giratorias
12. Salida de vaciado
13. Tapa salida de vaciado
14. Puerto de aspiración
15. Carcasa del filtro
16. Almacenamiento de boquillas
17. Manguera
18. Adaptador de empuñadura
19. Empuñadura extraíble
20. Asa
21. Boquilla para suelos para húmedo y seco
22. Boquilla de cepillo redonda
23. Boquilla estrecha
24. Herramienta de aspiración para coches
25. Adaptador para herramientas eléctricas
26. Bolsa para recoger polvo
27. Filtro HEPA
28. Filtro de espuma
29. Puerto de entrada

## 3. MONTAJE



Antes del montaje, apague siempre la máquina y extraiga el enchufe de la red de alimentación.

1. Presione el depósito (8) de la base (9) como se muestra en la Fig. B. Compruebe que la base (9) esté bien apretada.
2. Coloque el filtro (27, 28). Asegúrese de instalar el filtro correcto, según la aplicación:
  - Para aspirar en seco, deslice el filtro HEPA (27) con cuidado sobre la carcasa del filtro (15) comprobando que toda la carcasa (15) quede cubierta, como se muestra en la Fig. C-1.
  - Para aspirar en mojado, deslice el filtro de espuma (28) con cuidado sobre la carcasa del filtro (15), comprobando que toda la carcasa (15) quede cubierta, como se muestra en la Fig. C-2.
3. Coloque la parte superior (6) en el depósito (8).
4. Conecte la manguera de aspiración (17).
  - Para aspirar (Fig. E), conecte la manguera de aspiración (17) al puerto de aspiración (14).
  - Para soplar (Fig. F, G), conecte la manguera de aspiración (17) al puerto de soplado (3).



- Conecte la empuñadura (19) al adaptador de empuñadura (18). En la empuñadura (19) se pueden instalar uno o varios tubos de aspiración (20), para alargarlos (Fig. A).
- Conecte la boquilla correspondiente al adaptador de empuñadura (18), la empuñadura (19) o los tubos de aspiración (20).

#### Boquilla para suelos para húmedo y seco (21)

La boquilla para suelos ha sido diseñada para aspirar en mojado y en seco en ambientes domésticos, por ejemplo, una vivienda, un despacho o un garaje.

#### Boquilla de cepillo redonda (22)

El cepillo ha sido diseñado para aspirar material sólido en zonas pequeñas.

#### Boquilla estrecha (23)

La boquilla estrecha ha sido diseñada para aspirar en mojado y en seco en ambientes domésticos, para bordes y otras zonas de difícil acceso.

#### Herramienta de aspiración para coches (24)

El cepillo ha sido diseñado para aspirar material sólido en zonas pequeñas. Por ejemplo, asientos de coches.

#### Adaptador para herramientas eléctricas (25)

Adaptador para conectar la manguera de aspiración a una herramienta eléctrica.

## 4. FUNCIONAMIENTO



*Si la aspiradora se vuelva accidentalmente, el mecanismo flotador de desconexión (10) podría tapar el puerto de aspiración del motor y detener la aspiración. Si esto sucediera, solo tiene que colocar la aspiradora en posición vertical y apagarla hasta que el flotador (10) vuelva a su posición normal.*

#### Encendido (fig. A)



*¡No aspire sin filtro HEPA!*

- Desenrolle por completo la manguera de aspiración (17).
- Introduzca el enchufe en la toma de corriente.
- Ponga el interruptor de encendido (1) en la posición "ON/1" para poner en marcha la aspiradora.

#### Apagado (fig. A)

Ponga el interruptor de encendido (1) en la posición "OFF/0" para desconectar la aspiradora.

#### Aspiración en seco (Fig. A, C - E)



*Limpie el filtro HEPA (27) periódicamente para conservar la potencia de aspiración.*



*Para evitar que el filtro HEPA (27) se obstruya, recomendamos usar también una bolsa de recogida de polvo (26).*



*Las partículas finas de polvo, como el polvo de cemento, hollín y yeso, son demasiado finas para utilizar solamente el filtro HEPA (27) y podrían entrar en el motor y dañarlo. Por lo tanto, recomendamos encarecidamente usar una bolsa de recogida de polvo (26) cuando se limpien tales materiales.*



*Si la bolsa de recogida de polvo (26) está obstruida, puede explotar; por lo tanto, asegúrese de cambiar la bolsa de recogida de polvo cuando sea necesario.*

- Ponga el interruptor de encendido (1) en la posición "OFF/0" y desconecte el enchufe de la red de alimentación.
- Abra la abrazadera de bloqueo (7) y quite la parte superior (6).
- Antes de aspirar, retire toda la suciedad y los restos del depósito (8).
- Con cuidado, baje el filtro HEPA (27) sobre la carcasa del filtro (15) comprobando que toda la carcasa (15) quede cubierta, como se muestra en la Fig. C-1.
- Para aspirar con la bolsa de recogida de polvo (26):
  - Sujete bien el collarín de cartón y deslice el elemento protector de goma todo lo que pueda hacia el puerto de entrada (29), como se muestra en la Fig. D.
  - Una vez instalado todo, despliegue la bolsa (26) y colóquela alrededor de las paredes internas del depósito (8).
- Vuelva a instalar la parte superior (6) y cierre la abrazadera de bloqueo (7).
- Inserte un extremo de la manguera (17) en el puerto de aspiración (14). Desenrolle por completo la manguera de aspiración (17).
- Introduzca el enchufe en la toma de corriente.

9. Ponga el interruptor de encendido (1) en la posición "ON/I" para poner en marcha la aspiradora.
10. La máquina estará lista para aspirar en seco.
11. Ponga el interruptor de encendido (1) en la posición "OFF/O" para desconectar la aspiradora.

#### Aspiración en mojado (Fig. A, C, E, H)



La aspiradora esta equipada con un flotador(10). La potencia de aspiracion se reduce cuando se alcanza el nivel maximo de llenado. Apague (1) la aspiradora de inmediato. Saque el enchufe de la toma de corriente y vacie el contenedor (8).



Limpie el flotador (10) periodicamente y compruebe si presenta danos. De lo contrario, podria dejar de funcionar.



No meta nunca la mano en el agua que se vaya a aspirar. Peligro de descarga electrica.



Apague (1) de inmediato la maquina si se forma espuma o hay fugas de liquido.



!No utilice una bolsa para recoger polvo (26)!

1. Ponga el interruptor de encendido (1) en la posición "OFF/O" y desconecte el enchufe de la red de alimentación.
2. Abra la abrazadera de bloqueo (7) y quite la parte superior (6).
3. Antes de aspirar en mojado, quite la bolsa de recogida de polvo (26) y el filtro HEPA (27), y retire toda la suciedad y los restos del depósito (8).
4. Con cuidado, baje el filtro de espuma (28) sobre la carcasa del filtro (15), asegurándose de que toda la carcasa (15) quede cubierta, como se muestra en la Fig. C-2.
5. Vuelva a instalar la parte superior (6) y cierre la abrazadera de bloqueo (7).
6. Inserte un extremo de la manguera (17) en el puerto de aspiración (14). Desenrolle por completo la manguera de aspiración (17).
7. Introduzca el enchufe en la toma de corriente.
8. Ponga el interruptor de encendido (1) en la posición "ON/I" para poner en marcha la aspiradora.
9. La máquina estará lista para aspirar en mojado.
10. Ponga el interruptor de encendido (1) en la posición "OFF/O" para desconectar la aspiradora.

11. Levante la manguera (17) para que los líquidos se vacíen en el depósito (8).
12. Vacíe el depósito (8) inmediatamente después de aspirar, pues no ha sido diseñado para almacenar líquidos.

#### Funcion de soplado (Fig. A, F, G)



No se recomienda utilizar el aparato sin filtro.



Antes de utilizar la funcion de soplado, retire toda la suciedad y los restos del contenedor (8).



Utilice siempre gafas de seguridad antes de utilizar la funcion de soplado. Peligro de proyeccion de objetos.



Mantenga a las personas ajenas a la maquina alejadas de la zona de trabajo.

La aspiradora esta equipada con una funcion de soplado. Puede usarse para soplar polvo y residuos.

1. Ponga el interruptor de encendido (1) en la posición "OFF/O" y desconecte el enchufe de la red de alimentación.
2. Abra la abrazadera de bloqueo (7) y quite la parte superior (6).
3. Antes de soplar, quite la bolsa de recogida de polvo (26) y el filtro (27, 28), y retire toda la suciedad y los restos del depósito (8).
4. Vuelva a instalar la parte superior (6) y cierre la abrazadera de bloqueo (7).
5. Inserte un extremo de la manguera (17) en el puerto de soplado (3) de la parte trasera de la máquina. Desenrolle por completo la manguera de aspiración (17).
6. Introduzca el enchufe en la toma de corriente.
7. Ponga el interruptor de encendido (1) en la posición "ON/I" para poner en marcha la aspiradora.
8. La maquina estara lista para soplar polvo y restos.
9. Ponga el interruptor de encendido (1) en la posición "OFF/O" para desconectar la aspiradora.

#### Fin del uso (Fig. A)

1. Apague (1) la maquina y saque el enchufe de la red de alimentacion.
2. Abra la salida de vaciado (12) para dejar salir el liquido aspirado.

3. Cierre la salida de vaciado (12).
4. Quite la parte superior (6) y vacíe el contenedor (8).
5. Limpie la maquina con un pano suave.
6. Guarde el cable de alimentacion y los accesorios en la maquina. Guarde el aparato en una habitacion seca.

## 5. MANTENIMIENTO



Antes de realizar la limpieza y el mantenimiento, apague siempre la maquina y extraiga el enchufe de la red de alimentacion.

Limpie regularmente la carcasa de la maquina con un pano suave, preferentemente despues de cada uso. Compruebe que los orificios de ventilacion esten libres de polvo y suciedad. Elimine el polvo persistente utilizando un pano suave humedecido con agua y jabon. No use disolventes tales como gasolina, alcohol, amoniaco, etc. Tales productos quimicos pueden danar los componentes sinteticos.

### Depósito

Vacíe el depósito (8) inmediatamente después de aspirar, pues no ha sido diseñado para almacenar líquidos.

1. Abra la salida de vaciado (12) para dejar salir el líquido aspirado.
2. Cierre la salida de vaciado (12).
3. Quite la parte superior (6) y vacíe el depósito (8).
4. Limpie la máquina con un paño suave.

### Filtros (Fig. A)



Para conseguir el maximo rendimiento, se recomienda cambiar los filtros (17, 18) periodicamente, segun la intensidad de uso.

1. Con cuidado, extraiga el filtro HEPA (17) o de espuma (18).
2. Utilice una solucion de jabon suave y agua para limpiar el filtro y, a continuacion, enjuaguelo con agua limpia.
3. Deje que el filtro se seque al aire antes de volver a instalarlo y usarlo.
4. Vuelva a instalar el filtro.

### Flotador y carcasa del filtro (Fig. H)

Limpie periodicamente el flotador (10) y la carcasa del filtro (15) con un pano suave, y compruebe si presentan danos. De lo contrario, podria dejar de funcionar.

## MEDIOAMBIENTE



Los aparatos eléctricos o electrónicos defectuosos y/o desechados deben recogerse en lugares de reciclado apropiado.

### Solo para países de la Comunidad Europea

No elimine las herramientas eléctricas como residuos domésticos. De acuerdo con la Directiva europea 2012/19/CE sobre residuos de aparatos eléctricos y electrónicos, y su transposición a las legislaciones nacionales, las herramientas eléctricas que ya no se utilizan deben recogerse por separado y eliminarse en modo ecológico.

## CONDICIONES DE GARANTÍA

Los productos VONROC han sido desarrollados con los más altos estándares de calidad y VONROC garantiza que están exentos de defectos relacionados con los materiales y la fabricación durante el periodo legalmente estipulado, a contar desde la fecha de compra original. En caso de que el producto presente defectos relacionados con los materiales y/o la fabricación durante este periodo, póngase directamente en contacto VONROC.

La presente garantía se excluye en los siguientes casos:

- Si centros de servicios no autorizados han realizado o han intentado realizar reparaciones y/o alteraciones a la máquina.
- Si se ha producido un desgaste normal.
- Si la herramienta ha sido mal tratada o usada en modo impropio, o se ha realizado incorrectamente su mantenimiento.
- Si se han utilizado piezas de repuesto no originales.

La presente constituye la única garantía implícita y explícita que ofrece la compañía. No existen otras garantías explícitas o implícitas que excedan las citadas aquí, incluidas las garantías implícitas de comerciabilidad e idoneidad para una finalidad en especial. VONROC no será considerada responsable

en ningún caso por daños incidentales o consecuentes. Los recursos a disposición de los distribuidores se limitan a la reparación o a la sustitución de las unidades o piezas no conformes.

**El producto y el manual de usuario están sujetos a variaciones. Las especificaciones pueden variarse sin previo aviso.**

## 1. ISTRUZIONI DI SICUREZZA

Leggere accuratamente gli avvisi di sicurezza, gli avvisi di sicurezza aggiuntivi e le istruzioni. La mancata osservanza degli avvisi di sicurezza e delle istruzioni potrebbe causare scosse elettriche, incendio e/o gravi lesioni. Mantenere gli avvisi di sicurezza e le istruzioni a portata di mano per future consultazioni.

I seguenti simboli sono utilizzati nel presente manuale utente o sul prodotto:



*Leggere il manuale per l'utente.*



*Denota il rischio di lesioni personali, morte o danni all'utensile in caso di mancata osservanza delle istruzioni contenute nel presente manuale.*



*Rischio di scosse elettriche.*



*Staccare immediatamente la spina del cavo di alimentazione dalla presa di corrente se il cavo è danneggiato e durante le operazioni di pulizia e di manutenzione.*



*Apparecchio di Classe II - Doppio isolamento - Non è necessario il collegamento a terra.*



*Se la temperatura del materiale supera i 40°C, esiste il pericolo di incendio.*



*Non smaltire il prodotto in contenitori non idonei.*



*Il prodotto è conforme agli standard pertinenti in materia di sicurezza previsti dalla legislazione Europea.*

### NOTE DI SICUREZZA

QUESTA APPARECCHIATURA PUO ESSERE UTILIZZATA DA BAMBINI DA 8 ANNI NONCHE DA PERSONE CON CAPACITA FISICHE, SENSORIALI O MENTALI O DA MANCANZA DI ESPERIENZA, SE SI TROVANO SOTTO SORVEGLIANZA ISTRUZIONE IN MERITO ALL'USO DELL'APPARECCHIATURA IN MODO SICURO E COMPRENDONO I RISCHI DEL CASO. ACCERTARSI CHE I BAMBINI NON GIOCHINO CON L'APPARECCHIATURA. LA PULIZIA E LA MANUTENZIONE UTENTE NON DEVE ESSERE ESEGUITA DA BAMBINI SENZA SUPERVI-

SIONE. SE IL CAVO DI ALIMENTAZIONE E DANNEGGIATO, DEVE ESSERE SOSTITUITO DAL COSTRUTTORE, DA UN SUO RAPPRESENTANTE ADDETTO ALL'ASSISTENZA O DA ALTRE PERSONE CON QUALIFICA SIMILARE AL FINE DI EVITARE RISCHI PER LA SICUREZZA. IL CAVO DEVE ESSERE ESTRATTO DALLA PRESA DI CORRENTE PRIMA DI PULIRE L'APPARECCHIO O SOTTOPORLO A MANUTENZIONE.

- 1) Tenere pulita l'area di lavoro: Le aree e i banchi di lavoro in disordine possono causare incidenti.
- 2) L'aspirapolvere dovrebbe essere assemblato correttamente prima dell'uso.
- 3) Usare solo prolunghie omologate per l'utilizzo esterno (quando l'aspirapolvere viene utilizzato all'esterno) e accertarsi che esse siano in buone condizioni.
- 4) Proteggere i cavi elettrici e accertarsi in particolare che non vengano schiacciati, tirati o danneggiati dai bordi e dai pezzi appuntiti o danneggiati dai liquidi corrosivi.
- 5) Non usare una prolunga danneggiata. Non eseguire riparazioni permanenti o temporanee al cavo stesso.
- 6) Non usare l'aspirapolvere con un cavo elettrico danneggiato. Disporre di un cavo nuovo installato da un centro di assistenza autorizzato.
- 7) Non fissare elementi aggiuntivi su presa, cavi elettrici o prolunga.
- 8) Prima di collegare il proprio aspirapolvere alla presa elettrica, accertarsi che i requisiti di tensione e presa elettrica corrispondano alle indicazioni riportate sull'etichetta accanto al cavo.
- 9) Non tirare il dispositivo tramite il cavo.
- 10) La propria macchina dovrebbe essere sempre spenta prima dell'estrazione del suo cavo dalla presa o dalla prolunga.
- 11) Prima di lasciare il dispositivo senza supervisione (anche solo brevemente), spegnerlo e staccarlo dalla presa elettrica. Ciò dovrebbe avvenire in assenza di corrente.
- 12) Non sottovalutare la corrente del dispositivo. Mantenere sempre un equilibrio stabile.
- 13) Tenere i bambini e gli animali domestici lontano dalla macchina. Quando la macchina in funzione, tutti dovrebbero stare a una distanza di sicurezza.
- 14) Il dispositivo non dovrebbe essere usato da bambini o persone senza dimestichezza con il dispositivo o che non hanno letto il manual d'istruzioni.
- 15) L'utente del dispositivo è responsabile per la sicurezza degli altri durante il suo utilizzo.
- 16) L'aspirapolvere dovrebbe essere usato solo per i suoi scopi precisi.
- 17) Prima di eseguire qualsiasi intervento di manutenzione, impostazione o pulizia sull'aspirapolvere, spegnerlo, staccarlo dalla presa elettrica e attendere l'arresto del motore.
- 18) Procedere con molta cautela durante la verifica, la pulizia o l'esecuzione dell'intervento di manutenzione sul dispositivo e indossare dei guanti da lavoro spessi per proteggere le proprie mani.
- 19) È vietato modificare i dispositivi di sicurezza o alterare i cavi elettrici o rimuoverli dalla macchina.
- 20) Durante l'utilizzo della macchina, tenerla su una superficie stabile o supportata dal corpo.
- 21) Lavorare solo in condizioni di illuminazione perfetta con luce solare o una luce artificiale adeguata.
- 22) Si raccomanda di usare dei dispositivi otoprotettori.
- 23) Se la macchina vibra in modo innaturale, arrestare il motore e ricercarne immediatamente la causa. La presenza di vibrazioni indicano solitamente la presenza di un problema.
- 24) L'aspirapolvere dovrebbe essere verificato prima di qualsiasi utilizzo. Non usare la macchina che non sia in condizioni perfette. Se viene rilevato un problema che rappresenta un pericolo per l'utente, far riparare la macchina prima dell'uso della stessa.
- 25) Sostituire per ragioni di sicurezza le parti usurate o danneggiate. Usare solo i ricambi approvati dal costruttore. Le parti provenienti da fonti diverse dal costruttore potrebbero non essere compatibili o essere pericolose o causare incidenti. Il cavo di alimentazione può essere sostituito solo dai centri di assistenza cliente specializzati.
- 26) Usare l'aspirapolvere solo in ambienti asciutti e protetti dalle intemperie. Non usarlo all'esterno in caso di pioggia.
- 27) Tenere il dispositivo in un luogo asciutto, fuori dalla portata dei bambini.
- 28) Non lasciare in giro il cavo di alimentazione dopo il completamento della pulizia; qualcuno potrebbe inciampare su di esso.
- 29) Prestare attenzione durante lo svuotamento di serbatoi estremamente pesanti.
- 30) Svuotare il serbatoio dopo ciascun utilizzo per evitare combustioni spontanee.
- 31) Non usare la macchina per aspirare liquidi infiammabili o combustibili, come gasolio, polvere per fotocopiatrici o sostanze volatili, e non usare

la macchina in ambiti in cui sono presenti tali liquidi. Non passare l'aspirapolvere su acidi.

- 32) Non passare l'aspirapolvere su qualsiasi materiale tossico, cancerogeno, combustibile o qualsiasi materiale pericoloso, come polvere di amianto, arsenico, bario, berillio, piombo, pesticidi o altre sostanze pericolose per la propria salute.
- 33) Procedere con la massima cautela durante l'utilizzo dell'aspirapolvere su legno o ceneri di carbone di legna, ruggine, cemento, intonaco o polvere d'intonaco. Queste particelle sono estremamente sottili e possono passare attraverso i filtri pregiudicando le prestazioni del motore o essere soffiati nell'aria. Noi raccomandiamo in caso di necessità di usare un filtro di tessuto in abbinamento con un sacchetto di raccolta delle polveri durante la pulizia di questi tipi di materiali.
- 34) Non passare l'aspirapolvere sopra una superficie che brucia o è incandescente, come sigarette, mozziconi di sigarette, fiammiferi o ceneri calde.
- 35) Non passare mai l'aspirapolvere sopra acqua salina; essa potrebbe distruggere il motore.

### AVVERTENZE DI SICUREZZA SPECIFICHE PER IL SOFFIAGGIO

- Indirizzare lo sfianto d'aria solo nell'ambito di lavoro. Non indirizzarlo mai su persone o animali.
- Rischio di oggetti volanti. Tenere lontano chiunque si trovi nelle vicinanze dall'area di lavoro.
- Indossare sempre occhiali di protezione prima di usare la funzione di soffiaggio.

### Sicurezza elettrica

Quando si utilizzano apparecchi elettrici, osservare sempre le norme di sicurezza vigenti nel proprio paese per ridurre il rischio di incendi, scosse elettriche e lesioni personali. Leggere le istruzioni di sicurezza riportate di seguito oltre a quelle allegate al presente manuale.



*Verificare sempre che la tensione della rete di alimentazione corrisponda al valore riportato sulla targhetta dei valori nominali dell'elettrodomestico.*



*Apparecchio di Classe II - Doppio isolamento - Non è necessario il collegamento a terra.*

Se non è possibile evitare l'uso di un elettrodomestico in ambiente umido, usare una rete di alimentazione protetta da un interruttore differenziale (salvavita).

L'uso di un salvavita riduce il rischio di scosse elettriche.

## 2. INFORMAZIONI RELATIVE ALL' ELETTRUTENSILE

### Uso previsto

L'aspirapolvere è destinato all'aspirazione domestica di polvere secca e umida, per esempio in casa, nella stanza di lavoro, nell'automobile o in garage. L'aspirapolvere è dotato di una funzione di soffiaggio. È possibile utilizzarlo per soffiare via polvere e detriti. Il dispositivo non è idoneo per l'uso in ambiente commerciale o industriale.

### DATI TECNICI

Modello n.°	VC506AC
Tensione di rete	220-240V~
Fréquence de secteur	50-60 Hz
Potenza assorbita	1400W
Lunghezza cavo	6m
Categoria di protezione	IPX4
Forza di aspirazione	19 kPa, 1,8 m³/min
Capienza recipiente circa	20 l ca.
Capacità utile polveri e materiale fine asciutti	15 l ca.
Capacità utile liquidi	12 l ca.
Filtro asciutto	Filtro HEPA
Filtro umido	Filtro di spugna
Sistema di tubi flessibili	Ø32mm
Diametro attacco di aspirazione (29 fig. D)	Ø52mm
Sacchetto raccogli-polvere	VC805AA / VC809AA
Peso (compresi tutti gli accessori) circa	6kg

### DESCRIZIONE

I numeri che compaiono nel testo si riferiscono agli schemi riportati a pagina 2-4.

- Interruttore On/Off
- Maniglia di trasporto
- Attacco di soffiaggio
- Conservazione del cavo di alimentazione
- Adattatore per funzione di soffiaggio

6. Sezione superiore
7. Morsetto di bloccaggio
8. Contenitore
9. Base
10. Galleggiante
11. Ruote basculanti
12. Bocca di scarico
13. Tappo di chiusura bocca di scarico
14. Presa di aspirazione
15. Gabbia filtro
16. Alloggiamento accessori
17. Tubo flessibile
18. Adattatore per impugnatura
19. Impugnatura estraibile
20. Impugnatura
21. Bocchetta per pavimenti per polveri e liquidi
22. Spazzola tonda
23. Bocchetta a lancia
24. Accessorio aspirapolvere per auto
25. Adattatore per l'uso con elettrodomestici
26. Sacchetto raccogli-polvere
27. Filtro HEPA
28. Filtro di schiuma
29. Attacco di presa

### 3. MONTAGGIO



*Prima del montaggio spegnere sempre l'elettrodomestico e staccare la spina dalla presa di corrente.*

1. Appoggiare il contenitore (8) sulla base (9) e premervi sopra, come illustrato nella Fig. B. Assicurarsi che la base (9) sia fissata saldamente.
2. Inserire il filtro (27 o 28). Accertarsi di montare il filtro corretto a seconda dell'applicazione:
  - Per l'aspirazione di polveri e materiale fine asciutti, fare scivolare con cautela il filtro HEPA (27) sopra il portafiltro (15), facendo in modo che quest'ultimo sia coperto interamente dal filtro, come illustrato nella Fig. C-1.
  - Per l'aspirazione di liquidi far scivolare con cautela il filtro di spugna (28) sopra il portafiltro (15), facendo in modo che quest'ultimo sia coperto interamente dal filtro, come illustrato nella Fig. C-2.
3. Inserire la parte superiore (6) sul contenitore (8).
4. Collegare il tubo flessibile (17).
  - Per aspirare (Fig. E -1), collegare il tubo flessibile (17) alla presa di aspirazione (14).

- Per soffiare (Fig. E -2), collegare il tubo flessibile (17) alla presa di soffiaggio (3).
5. Collegare l'impugnatura (19) all'adattatore per impugnatura (18). All'impugnatura (19) è possibile collegare uno o più tubi rigidi (20) per allungarla (Fig. A).
  6. Collegare la bocchetta desiderata all'adattatore per impugnatura (18), all'impugnatura (19) o ai tubi rigidi (20).

#### **Bocchetta per pavimenti per aspirazione secca e umida (21)**

La bocchetta per pavimenti è progettata per l'aspirazione in ambiente domestico di polveri e materiale fine asciutti o di liquidi, ad esempio per i pavimenti della propria abitazione, del laboratorio o studio di casa oppure del garage.

#### **Spazzola tonda (22)**

La spazzola è progettata per l'aspirazione di sostanze solide in piccoli spazi.

#### **Bocchetta a lancia (23)**

La bocchetta a lancia è progettata per l'aspirazione in ambiente domestico di polveri e materiale fine asciutti o liquidi, negli angoli e in altri punti difficilmente accessibili.

#### **Accessorio aspirapolvere per auto (24)**

La spazzola è progettata per l'aspirazione di sostanze solide in piccoli spazi, come ad esempio i sedili dell'auto.

#### **Adattatore per l'uso con elettrodomestici (25)**

Adattatore per collegare il tubo flessibile di aspirazione a un elettrodomestico.

### 4. FUNZIONAMENTO



*Se l'aspirapolvere si ribalta accidentalmente, il meccanismo del galleggiante di spegnimento (10) potrebbe coprire l'attacco aspirapolvere del motore ed arrestare l'aspirazione. Se ciò accade, basta posizionare l'aspirapolvere in posizione eretta e spegnerlo fino a quando il galleggiante (10) non ritorna nella propria posizione normale.*

**Accensione (fig. A)**

*Non passare l'aspirapolvere senza un filtro HEPA!*

1. Srotolare completamente il tubo flessibile di aspirazione (17).
2. Collegare la spina del cavo di alimentazione alla presa elettrica.
3. Premere l'interruttore principale (1) nella posizione "ON/1" per avviare il proprio aspirapolvere.

**Spegnimento (fig. A)**

Premere l'interruttore principale (1) nella posizione "OFF/0" per spegnere il proprio aspirapolvere.

**Aspirazione di polveri e materiale fine asciutti (Fig. A, C - E)**

*Pulire regolarmente il filtro HEPA (27) per preservare la potenza di aspirazione.*



*Per evitare che il filtro HEPA (27) si ostruisca, si raccomanda di utilizzare anche un sacchetto di raccolta polvere (26).*



*Le polveri fini, come quelle generate da cemento, fuliggine e intonaco, sono troppo sottili per essere trattenute dal solo filtro HEPA (27) e rischiano di penetrare nel motore e danneggiarlo. Per tale motivo, si consiglia caldamente di usare un sacchetto di raccolta polvere (26) quando si devono aspirare questi tipi di materiali.*



*Un sacchetto di raccolta polvere intasato (26) può esplodere, perciò occorre assicurarsi di sostituirlo in tempo utile!*

1. Premere l'interruttore (1) nella posizione di spegnimento "OFF/0" e staccare la spina dalla presa di corrente.
2. Sganciare il morsetto di bloccaggio (7) e rimuovere la sezione superiore (6).
3. Prima di passare l'aspiratore, rimuovere tutto lo sporco e i detriti dal contenitore (8).
4. Far scivolare con cautela il filtro HEPA (27) sopra il portafiltro (15), facendo in modo che quest'ultimo sia coperto interamente dal filtro, come illustrato nella Fig. C-1.
5. Per aspirare con il sacchetto di raccolta della polvere (26) montato:

- Afferrare saldamente il collare in cartone e far scivolare l'elemento protettivo in gomma il più possibile sulla presa di aspirazione (29), come illustrato nella Fig. D.
- Quando tutto è in posizione, distendere il sacchetto (26) e posizionarlo attorno alle pareti interne del contenitore (8).

6. Reinscrivere la sezione superiore (6) e serrare il morsetto di bloccaggio (7).
7. Inserire un'estremità del tubo flessibile (17) nell'attacco aspirapolvere (14). Srotolare completamente il tubo flessibile di aspirazione (17).
8. Collegare la spina del cavo di alimentazione alla presa elettrica.
9. Premere l'interruttore principale (1) nella posizione "ON/1" per avviare l'aspiratore.
10. La macchina ora è pronta per essere utilizzata per l'aspirazione di polveri e materiale fine asciutti.
11. Premere l'interruttore principale (1) nella posizione "OFF/0" per spegnere l'aspiratore.

**Aspirazione di polvere umida (Fig. A, C, E, H)**

*L'aspirapolvere è dotato di un galleggiante (10). La potenza di aspirazione diminuisce quando viene raggiunto il livello di riempimento massimo. Spegnere (1) immediatamente l'aspirapolvere. Rimuovere la spina dalla presa e svuotare il contenitore (8).*



*Pulire il galleggiante (10) ad intervalli regolari e controllare la presenza di danneggiamenti.*



*In caso contrario potrebbe non funzionare. Non toccare mai l'acqua che deve essere aspirata. Pericolo di scosse elettriche.*



*Spegnere (1) immediatamente la macchina se si crea della schiuma o fuoriesce del liquido!*



*Non usare il sacchetto raccogli-polvere (26)!*

1. Premere l'interruttore (1) nella posizione di spegnimento "OFF/0" e staccare la spina dalla presa di corrente.
2. Aprire il morsetto di bloccaggio (7) e rimuovere la sezione superiore (6).
3. Prima di aspirare dei liquidi, rimuovere il sacchetto di raccolta polvere (26) e il filtro HEPA (27) e rimuovere tutto lo sporco e i detriti dal contenitore (8).



4. Far scivolare con cautela il filtro di spugna (28) in basso sopra la gabbia filtro (15) facendo in modo che l'intera gabbia (15) sia ricoperta come da Fig. C-2.
5. Reinserire la sezione superiore (6) e serrare il morsetto di bloccaggio (7).
6. Inserire un'estremità del tubo flessibile (17) nell'attacco aspirapolvere (14). Srotolare completamente il tubo flessibile di aspirazione (17).
7. Collegare la spina del cavo di alimentazione alla presa elettrica.
8. Premere l'interruttore principale (1) nella posizione "ON/I" per avviare l'aspiratore.
9. La macchina ora è pronta per essere utilizzata per l'aspirazione di polvere umida.
10. Premere l'interruttore principale (1) nella posizione "OFF/O" per spegnere l'aspiratore.
11. Sollevare il tubo flessibile (17) in modo che i liquidi vadano a finire nel contenitore (8).
12. Svuotare il contenitore (8) immediatamente dopo l'aspirazione, poiché esso non è destinato alla conservazione di liquidi.

#### Funzione di soffiaggio (Fig. A, F, G)



*Si raccomanda di non usare un filtro durante il funzionamento.*



*Rimuovere tutto lo sporco e i detriti dal contenitore (9) prima di usare la funzione di soffiaggio.*



*Indossare sempre occhiali di protezione prima di usare la funzione di soffiaggio.*



*Rischio di oggetti volanti. Tenere lontano chiunque si trovi nelle vicinanze dall'area di lavoro.*

Il proprio aspirapolvere è dotato di una funzione di soffiaggio. È possibile utilizzarlo per soffiare via polvere e detriti.

1. Premere l'interruttore (1) nella posizione di spegnimento "OFF/O" e staccare la spina dalla presa di corrente.
2. Sganciare il morsetto di bloccaggio (7) e rimuovere la sezione superiore (6).
3. Prima del soffiaggio, rimuovere il sacchetto raccogli-polvere (26), il filtro (27, 28) e rimuovere tutto lo sporco e i detriti dal contenitore (8).
4. Reinserire la sezione superiore (6) e serrare il morsetto di bloccaggio (7).

5. Inserire un'estremità del tubo flessibile (17) nella presa di soffiaggio (3) sul lato posteriore della macchina. Srotolare completamente il tubo flessibile di aspirazione (17).
6. Collegare la spina del cavo di alimentazione alla presa elettrica.
7. Premere l'interruttore principale (1) nella posizione "ON/I" per avviare l'aspiratore.
8. La macchina è ora pronta per il soffiaggio di polvere e detriti.
9. Premere l'interruttore principale (1) nella posizione "OFF/O" per spegnere il proprio aspirapolvere.

#### Conclusione del funzionamento (Fig. A)

1. Spegnere (1) la macchina e staccare la spina dalla presa di corrente.
2. Aprire la bocca di scarico (12) per consentire la fuoriuscita del liquido aspirato.
3. Chiudere la bocca di scarico (12).
4. Rimuovere la sezione superiore (6) e svuotare il contenitore (8).
5. Pulire la macchina con un panno morbido.
6. Riporre il cavo di alimentazione e gli accessori sulla macchina. Conservare l'apparecchio in un luogo asciutto.

## 5. MANUTENZIONE



*Prima di eseguire qualsiasi operazione di pulizia e intervento di manutenzione spegnere sempre l'elettrodomestico e staccare la spina dalla presa di corrente.*

Pulire regolarmente il corpo dell'elettrodomestico con un panno morbido, preferibilmente dopo ogni uso. Assicurarsi che le prese d'aria siano libere da polvere e sporcizia. Rimuovere lo sporco particolarmente ostinato con un panno morbido inumidito con acqua e sapone. Non utilizzare solventi come benzina, alcol, ammoniaca, ecc. Le sostanze chimiche di questo tipo danneggiano i componenti sintetici.

#### Contenitore

Svuotare il contenitore (8) immediatamente dopo l'aspirazione, poiché esso non è destinato alla conservazione di liquidi.

1. Aprire la bocca di scarico (12) per consentire la fuoriuscita del liquido aspirato.
2. Chiudere la bocca di scarico (12).

3. Rimuovere la sezione superiore (6) e svuotare il contenitore (8).
4. Pulire la macchina con un panno morbido.

#### Filtri (fig. A)



*Per raggiungere prestazioni ottimali si raccomanda di sostituire regolarmente i filtri (17, 18) in base all'utilizzo.*

1. Rimuovere con cautela il filtro HEPA (17) o il filtro di schiuma (18).
2. Usare una soluzione di acqua e sapone neutro per pulire il filtro e poi sciacquare con acqua pulita.
3. Consentire l'essiccazione all'aria del filtro prima di installarlo e usarlo nuovamente.
4. Reinstallare il filtro.

#### Galleggiante e gabbia filtro (fig. H)

Pulire regolarmente il galleggiante (10) e la gabbia filtro (15) con un panno morbido e controllare la presenza di danneggiamenti. In caso contrario potrebbe non funzionare.

## RISPETTO AMBIENTALE



*Le apparecchiature elettriche o elettroniche difettose e/o scartate devono essere raccolte presso gli opportuni siti di riciclaggio.*

#### Solo per i Paesi CE

Non smaltire gli elettrodomestici insieme ai rifiuti domestici. Secondo la Direttiva europea 2012/19/EC sui rifiuti delle apparecchiature elettriche ed elettroniche e relativa implementazione nelle normative locali, gli elettrodomestici ormai inutilizzabili devono essere raccolti separatamente e smaltiti in modo ecologico.

## DEFINIZIONI DELLA GARANZIA

I prodotti VONROC sono sviluppati secondo i più elevati standard di qualità e viene garantita l'assenza di difetti nei materiali e nella manodopera per il periodo contrattuale a partire dalla data di acquisto originale. Qualora il prodotto dovesse subire un guasto qualsiasi durante questo periodo a causa di difetti nei materiali e/o nella manodopera, si prega di contattare direttamente il VONROC.

Le seguenti circostanze sono escluse da questa garanzia:

- Riparazioni e/o modifiche alla macchina sono state eseguite o tentate da centri di assistenza non autorizzati.
- Normale usura.
- L'utensile è stato abusato, utilizzato o manutenu- to in modo improprio.
- Sono state utilizzate parti di ricambio non originali

Ciò costituisce l'unica garanzia espressa o implicita fornita dall'azienda. Non esistono altre garanzie espresse o implicite che si estendono oltre il presente documento, ivi comprese le garanzie implicite di commerciabilità e idoneità per uno scopo particolare. In nessun caso VONROC sarà responsabile di eventuali danni incidentali o consequenziali. I rimedi dei rivenditori saranno limitati alla riparazione o sostituzione di unità o parti non conformi.

**Il prodotto e il manuale per l'utente sono soggetti a modifiche. I dati tecnici possono essere modificati senza ulteriore notifica.**

## 1. SÄKERHETSANVISNINGAR VARNING

Läs de medföljande säkerhetsvarningar, de kompletterande säkerhets varningarna och anvisningarna. Underlåtenhet att följa säkerhetsvarningarna och anvisningarna kan orsaka elstöt, brand och/eller allvarlig skada. Spara säkerhetsvarningarna och anvisningarna för framtida bruk.

Följande symboler används i användarhandboken eller på produkten:



Läs igenom bruksanvisningen.



Anger risk för personskada, dödsfall eller skada på verktyget om anvisningarna i denna handbok inte följs.



Risk för elstöt.



Ta genast ut strömkontakten från strömkåblan om strömkabeln skadas samt vid rengöring och underhåll.



Klass II-maskin - dubbel isolering – du behöver ingen jordad kontakt.



Endast för kall aska! Det finns risk för brand om sugmaterialet överstiger en temperatur på 40 °C!



Kassera inte produkten i olämpliga containrar.



Produkten uppfyller gällande säkerhetsnormer i EU-direktiven.

### SÄKERHETSANVISNINGAR

DENNA APPARAT KAN ANVÄNDAS AV BARN FRÅN 8 ÅR OCH PERSONER MED NEDSATT FYSISK ELLER PSYKISK FÖRMÅGA ELLER BRISTANDE ERFARENHET ELLER KUNSKAP, OM DE ÖVERVAKAS ELLER FÅR INSTRUKTIONER OM HUR APPARATEN ANVÄNDS PÅ ETT SÄKERT SÄTT OCH ÄR MEDVETNA OM RISKERNA. BARN FÅR INTE LEKA MED APPARATEN. RENGÖRING OCH ANVÄNDARUNDERHÅLL SKA INTE UTFÖRAS AV BARN UTAN ÖVERVAKNING. OM EN STRÖMSLADD ÄR SKADAD MÅSTE DEN BYTAS AV TILLVERKAREN, TILLVERKARENS SERVICEOMBUD ELLER LIKANDE KVALIFICERAD PERSONAL FÖR ATT UNDVIKA FARA.

KONTAKTEN MÅSTE DRAS UT UR ELUTTAGET INNAN APPARATEN RENGÖRS ELLER UNDERHÅLLS.

- 1) Håll ditt arbetsområde rent: Stökiga arbetsområden och arbetsbänkar är en källa till skada.
- 2) Dammsugaren ska monteras ordentligt före användning.
- 3) Använd endast förlängningssladdar som är godkända för utomhusbruk (när dammsugaren används utomhus) och se till att de alltid är i gott skick.
- 4) Skydda elkablarna och se särskilt till att de inte krossas, dras eller skadas av kanter, vassa delar eller rörliga delar eller skadas av frätande vätskor.
- 5) Använd inte en skadad förlängningssladd. Gör inga permanenta eller tillfälliga reparationer på själva kabeln.
- 6) Använd inte en dammsugare som har en skadad elkabel. Låt en ny kabel installeras av ett auktoriserat servicecenter.
- 7) Fäst inte något annat på uttaget, elkablarna eller förlängningssladden.
- 8) Innan du sätter i dammsugaren i eluttaget, se till att spänningen och uttaget stämmer överens med vad som anges på etiketten bredvid sladden.
- 9) Dra inte enheten i sladden.
- 10) Din maskin ska alltid vara avstängd innan du kopplar ur den från uttaget eller förlängningssladden.
- 11) Stäng av den och koppla ur den från eluttaget innan du lämnar enheten utan tillsyn (även en kort stund). Detta bör också göras om strömmen försvinner.
- 12) Underskatta inte dess kraft. Stå alltid balanserat och stadigt.
- 13) Håll barn och husdjur borta från maskinen. När maskinen är i drift ska alla hålla sig på säkert avstånd.
- 14) Enheten bör inte användas av barn eller personer som inte behärskar enheten eller som inte har läst denna bruksanvisning.
- 15) Användaren av enheten är ansvarig för andras säkerhet när hen använder den.
- 16) Dammsugaren bör endast användas för dess avsedda ändamål.
- 17) Innan du utför underhålls-, justerings- eller rengöringsprocedurer på dammsugaren, stäng av den, koppla bort den ur eluttaget och vänta tills motorn stannar.
- 18) Var mycket försiktig när du kontrollerar, rengör eller utför underhåll på enheten och bär tjocka arbetshandskar för att skydda dina händer.

- 19) Varken säkerhetsanordningarna eller elkablarna ska modifieras eller tas bort från maskinen.
- 20) När du använder maskinen ska den hållas stadigt och på en stabil yta eller stödjas av kroppen.
- 21) Arbeta bara i fullt dagsljus eller med lämpligt artificiellt ljus.
- 22) Vi rekommenderar att du använder någon typ av hörselskydd för dina öron.
- 23) Om maskinen vibrerar onormalt, stanna motorn och leta efter orsaken omedelbart. Vibrationer betyder vanligtvis ett problem.
- 24) Dammsugaren ska kontrolleras ordentligt före användning. Använd inte en maskin som inte är i perfekt skick. Om du märker ett problem som kan utgöra en fara för användaren, låt reparera maskinen innan du använder den.
- 25) Byt ut slitna eller skadade delar av säkerhetsskäl. Använd endast reservdelar som godkänts av tillverkaren. Delar från andra källor än tillverkaren kanske inte passar ordentligt eller kan vara farliga eller orsaka skador. Nätsladden får endast bytas ut av specialiserade kundtjänstcentraler.
- 26) Använd endast dammsugaren i områden som är torra och skyddade från dåligt väder. Använd den inte utomhus när det regnar.
- 27) Förvara dammsugaren på ett torrt, rent ställe utom räckhåll för barn.
- 28) Lämna inte nätsladden liggande när rengöringen är klar; någon kan snubbla.
- 29) Var försiktig när du tömmer extremt tunga tankar.
- 30) För att undvika spontan förbränning, töm tanken efter varje användning.
- 31) Använd inte maskinen för att suga upp lättantändliga eller brännbara vätskor, såsom bensen, kopieringspulver eller flyktiga ämnen, och använd inte maskinen i områden där dessa vätskor finns. Sug inte upp syror.
- 32) Sug inte upp ämnen som är giftiga, cancerframkallande, brännbara eller andra farliga material, såsom asbest, asbestdamm, arsenik, barium, beryllium, bly, bekämpningsmedel eller andra hälsofarliga ämnen.
- 33) Extrem försiktighet bör iakttas vid sugning av trä- eller kolaska, sot, cement, gips eller gipsskivedamm. Dessa partiklar är extremt fina och kan passera genom filtren som påverkar motorns prestanda eller blåses upp i luften.
- 34) Sug inte upp något som brinner eller smälter, såsom cigaretter, cigarettstumpar, tändstickor eller het aska.
- 35) Sug aldrig upp saltvatten; det kan förstöra motorn.

## SÄRSKILDA SÄKERHETSVARNINGAR FÖR BLÅSNING

- a) Rikta endast luftstrålen mot arbetsområdet. Aldrig mot människor eller djur.
- b) Risk för flygande föremål. Håll kringstående borta från arbetsområdet.
- c) Använd alltid skyddsglasögon när du använder blåsfunktionen.

### Elektrisk säkerhet

Följ alltid säkerhetsföreskrifterna som gäller i ditt land när du arbetar med elverktyg för att minska risken för brand, elstöt och personskada. Läs följande säkerhetsanvisningar och även de medföljande säkerhetsanvisningarna.



*Kontrollera alltid att strömspänningen motsvarar spänningen som anges på märketiketten.*



*Klass II-maskin - dubbel isolering - du behöver ingen jordad kontakt.*

Använd jordfelskydd (RCD) om arbete med ett elverktyg i fuktig miljö är oundvikligt. Användning av RCD minskar risken för elstöt.

## 2. MASKININFORMATION

### Avsedd användning

Dammsugaren är avsedd för våt- och torrsugning i hemmet i t.ex. hus, arbetsrum, bil eller garage. Dammsugaren är utrustad med en blåsfunction. Den kan användas för att blåsa bort damm och skräp. Enheten är inte avsedd för kommersiellt eller industriellt bruk.

### TEKNISKA SPECIFIKATIONER

Model No.	VC506AC
Strömspanning	220-240V~
Strömfrekvens	50-60 Hz
Ineffekt	1400W
Kabellängd	6m
Skyddskategori	IPX4
Sugkraft	19 kPA, 1,8 m <sup>3</sup> /min
Behållarkapacitet ca.	20 l
Användbar volym torr ca.	15 l
Användbar volym våt ca.	12 l

Filter - torr	HEPA-filter
Filter - våt	Skumfilter
Slangsystem	Ø32mm
Diameter intagsport (29 fig. D)	Ø 52 mm
Rekommenderad damppåse	VC805AA / VC809AA
Vikt (inkl. alla tillbehör) ca.	6 kg

## BESKRIVNING

Siffrorna i texten hänvisar till diagrammen på sidorna 2-4.

1. Växelbrytare
2. Bärhandtag
3. Blåsuttag
4. Strömladdsförvaring
5. Adapter för blåsfunktion
6. Övre del
7. Låsklämma
8. Behållare
9. Bas
10. Flöte
11. Länkhjul
12. Dräneringsutlopp
13. Skydd för dräneringsutlopp
14. Utsugsuttag
15. Filterbur
16. Förvaring av munstycken
17. Slang
18. Handtagsadapter
19. Avtagbart handtag
20. Sugrör
21. Våt- och torrgolvmunstycke
22. Runt borstmunstycke
23. Fogmunstycke
24. Bildammsugningsverktyg
25. Elverktygsadapter
26. Dammpopsamlingspåse
27. HEPA-filter
28. Skumfilter
29. Inloppsport

## 3. MONTERING



Stäng alltid av maskinen och ta ut ström-kontakten från strömkällan innan montering.

1. Tryck på behållaren (8) på basen (9) enligt figur B. Se till att basen (9) sitter ordentligt fast.

2. Sätt fast filtret (27, 28). Se till att montera rätt filter, beroende på användning:
  - För torrdammsugning, skjut försiktigt HEPA-filtret (27) över filterburen (15) och se till att hela buren (15) är täckt enligt fig. C-1.
  - För våtdammsugning, skjut försiktigt skumfiltret (28) över filterburen (15) och se till att hela buren (15) är täckt enligt fig. C-2.
3. Placera den övre delen (6) på behållaren (8).
4. Anslut sugslangen (17).
  - För dammsugning, (fig. E), anslut sugslangen (17) till utsugsuttaget (14).
  - För blåsning, (fig. F, G), anslut sugslangen (17) till blåsuttaget (3).
5. Anslut handtaget (19) till handtagsadaptern (18). Ett eller flera sugrör (20) kan monteras på handtaget (19) för att förlänga det (fig. A).
6. Anslut önskat munstycke till handtagsadaptern (18), handtaget (19) eller sugrören (20).

### Vått och torrt golvmunstycke (21)

Golvmunstycket är avsett för våt- och torrsugning i hemmet i t.ex. hus, arbetsrum, bil eller garage.

### Runt borstmunstycke (22)

Borsten är utformad för att dammsuga fasta ämnen från små ytor.

### Fogmunstycke (23)

Fogmunstycket är konstruerat för våt- och torrsugning i hemmet, hörn och andra områden som är svåra att komma åt.

### Bildammsugningsverktyg (24)

Borsten är utformad för att dammsuga fasta ämnen från små ytor. Till exempel bilsäten.

### Elverktygsadapter (25)

Adapter för anslutning av sugslang med elverktyg.

## 4. DRIFT



Om dammsugaren råkar välta kan avstängningsflottörmekanismen (10) täcka motorns dammsugaruttag och stoppa sugningen. Om detta händer, ställ bara dammsugaren upprätt och stäng av den tills flottören (10) återgår till sitt normala läge.

**Igångsättning (fig. A)**

*Dammsug inte utan Hepa-filter!*

1. Linda ut sugslangen helt (17).
2. Anslut nätkontakten.
3. Tryck strömbrytaren (1) i läge "ON/1" för att starta dammsugaren.

**Avstängning (fig. A)**

Tryck strömbrytaren (1) i läge "OFF/0" för att stänga av dammsugaren.

**Torr sugning (fig. A, C-E)**

*Rengör HEPA-filtret (27) regelbundet för att bibehålla sugkraften.*



*För att undvika att HEPA-filtret (27) blir igensatt rekommenderar vi att du använder en dammupsamlingspåse (26).*



*Fint damm, som damm från cement, sot och gips, är för fint för att endast användas med HEPA-filtret (27) och riskerar att komma in i motorn och skada den. Därför rekommenderar vi starkt en dammupsamlingspåse (26) när du rengör dessa typer av material.*



*Igensatt dammupsamlingspåse (26) kan spricka – se därför till att byta ut dammupsamlingspåsen i tid!*

1. Ställ alltid strömbrytaren (1) i läge "OFF/0" och ta ut strömkontakten från strömkällan.
2. Lås upp låsklämmorna (7) och ta bort den övre delen (6).
3. Avlägsna all smuts och skräp från behållaren (8) innan du dammsuger.
4. Skjut försiktigt HEPA-filtret (27) över filterburen (15) och se till att hela buren (15) är täckt enligt fig. C-1.
5. För dammsugning med dammupsamlingspåse (26):
  - Håll pappkragen tätt och skjut gummiskyddselementet så långt som möjligt på inloppsöppningen (29) enligt fig. D.
  - När allt är på plats, vik ut påsen (26) och placera den runt behållarens (8) innerväggar.
6. Sätt tillbaka den övre delen (6) igen och lås låsklämman (7).

7. För in ena änden av slangen (17) i utsugsuttaget (14). Linda ut sugslangen helt (17).
8. Anslut nätkontakten.
9. Tryck strömbrytaren (1) till läge "ON/1" för att starta dammsugaren.
10. Maskinen är nu redo att användas för torrdammsugning.
11. Tryck strömbrytaren (1) till läge "OFF/0" för att stänga av dammsugaren.

**Våtsugning (fig. A, C, E, H)**

*Dammsugaren är utrustad med en flottör (10). Sugkraften minskar när den maximala fyllnadsnivån uppnås. Stäng av dammsugaren (1) omedelbart. Ta bort den kontakten från uttaget och töm behållaren (8).*



*Rengör flottören (10) regelbundet och kontrollera den för skador. I annat fall kan dess funktion försämmas.*



*Sträck aldrig in i vattnet som ska sugas upp. Risk för elektriska stötar.*



*Stäng genast av (1) maskinen om det bildas skum eller våtskor tränger ut!*



*Använd inte en dammupsamlingspåse (26)!*

1. Ställ alltid strömbrytaren (1) till läge OFF/0" och ta ut strömkontakten från strömkällan.
2. Lås upp låsklämmorna (7) och ta bort den övre delen (6).
3. Ta bort dammupsamlingspåsen (26), HEPA filtret (27) och avlägsna all smuts och skräp från behållaren (8) innan du våtdammsuger.
4. Skjut försiktigt skumfiltret (28) över filterburen (15) och se till att hela buren (15) är täckt enligt fig. C-2.
5. Sätt tillbaka den övre delen (6) igen och lås låsklämman (7).
6. För in ena änden av slangen (17) i utsugsuttaget (14). Linda ut sugslangen helt (17).
7. Anslut nätkontakten.
8. Tryck strömbrytaren (1) till läge "ON/1" för att starta dammsugaren.
9. Maskinen är nu redo för våtdammsugning.
10. Tryck strömbrytaren (1) till läge "OFF/0" för att stänga av dammsugaren.
11. Lyft upp slangen (17) så att våtskorna rinner ut i behållaren (8).

12. Töm behållaren (8) direkt efter sugrengöring eftersom den inte är avsedd att lagra vätska.

#### Blåsfunktion (fig. A, F, G)



Användning utan användning av filter rekommenderas.



Ta bort all smuts och skräp från behållaren (8) innan du använder blåsfunktionen.



Använd alltid skyddsglasögon när du använder blåsfunktionen.



Risk för flygande föremål. Håll kringstående borta från arbetsområdet.

Din dammsugare är utrustad med en blåsfunktion. Den kan användas för att blåsa bort damm och skräp.

1. Ställ alltid strömbrytaren (1) i läge OFF/0" och ta ut strömkontakten från strömkällan.
2. Lås upp låsklämmorna (7) och ta bort den övre delen (6).
3. Ta bort dammuppsamlingspåsen (26), filtret (27, 28) och avlägsna all smuts och skräp från behållaren (8) innan du blåser.
4. Sätt tillbaka den övre delen (6) igen och lås låsklämman (7).
5. För in ena änden av slangen (17) i utsugsuttaget (3) på maskinens ovandel. Linda ut sugslangen helt (17).
6. Anslut nätkontakten.
7. Tryck strömbrytaren (1) till läge "ON/ I" för att starta dammsugaren.
8. Maskinen är nu redo att blåsa damm och skräp.
9. Tryck strömbrytaren (1) till läge "OFF/0" för att stänga av dammsugaren.

#### Avsluta (fig. A)

1. Stäng av maskinen (1) och ta ut strömkontakten.
2. Öppna dräneringsutloppet (12) så att den sugda vätskan rinner ut.
3. Stäng dräneringsutloppet (12).
4. Ta bort den övre delen (6) och töm behållaren (8).
5. Rengör maskinen med en mjuk trasa.
6. Förvara nätkabeln och tillbehöret vid maskinen. Förvara apparaten på en torr plats.

## 5. UNDERHÅLL



Innan rengöring och underhåll ska du alltid stänga av maskinen och dra ut nätkontakten ur vägguttaget.

Rengör maskinen hus regelbundet med en mjuk trasa, helst efter varje gång du använder maskinen. Se till att ventilationsöppningarna är fria från damm och smuts. Ta bort mycket ihållande smuts med en mjuk trasa fuktad med tvållösning. Använd inte lösningsmedel som bensin, alkohol, ammoniak osv. Sådana kemikalier skadar de syntetiska komponenterna.

#### Behållare

Töm behållaren (8) direkt efter sugrengöring eftersom den inte är avsedd att lagra vätska.

1. Öppna dräneringsutloppet (12) så att den sugda vätskan rinner ut.
2. Stäng dräneringsutloppet (12).
3. Ta bort den övre delen (6) och töm behållaren (8).
4. Rengör maskinen med en mjuk trasa.

#### Filter (fig. A)

För optimal prestanda rekommenderas att byta filter regelbundet (17, 18) beroende på användning.

1. Ta försiktigt bort HEPA-filtret (17) eller skumfiltret (18).
2. Använd en mild tvål- och vattenlösning för att rengöra filtret och skölj därefter med rent vatten.
3. Låt filtret lufttorka innan du installerar och använder det igen.
4. Sätt tillbaka filtret.

#### Flottör och filterbur (fig. H)

Rengör flottören (10) och filterburen (15) regelbundet med en mjuk trasa och kontrollera för skador. I annat fall kan dess funktion försämrats.

## MILJÖ



Produkten, tillbehören och förpackningen måste sorteras för miljövänlig återvinning.

**Endast för EU-länder**

Släng inte elverktyg i hushållsavfallet. Enligt det europeiska WEEE-direktivet 2012/19/EU för avfall från elektrisk och elektronisk utrustning och dess tillämpning nationellt ska elverktyg som inte längre kan användas samlas in separat och kasseras på ett miljövänligt sätt.

**GARANTI**

VONROC produkter är utvecklade enligt högsta kvalitetsstandard och garanteras vara utan defekter både vad gäller material och tillverkning under den period som stipuleras enligt lag med början från ursprungligt inköpsdatum. Om något fel uppstår på produkten under denna period på grund av material- och/eller tillverkningsfel skall VONROC kontaktas direkt.

Följande omständigheter exkluderas från denna garanti:

- Reparationer eller ändringar som gjorts eller försökt göras på maskinen av ett icke auktoriserat servicecenter.
- Normalt slitage.
- Verktyget har missbrukats, använts fel eller underhållits på felaktigt sätt.
- Icke-originalreservdelar har använts.

Detta utgör hela garantin från företaget, antingen uttryckt eller underförstått. Det finns inga andra garantier, uttalade eller underförstådda som gäller utöver ordalydelsen härav, häri, inklusive de outtalade garantierna för säljbarhet och lämplighet för ett särskilt syfte. Under inga omständigheter skall VONROC hållas ansvarig för några oförutsedda eller indirekta skador. Återförsäljarens åtgärder skall begränsas till reparation eller byte av felaktiga enheter eller delar.

**Med förbehåll för ändringar i produkten och bruksanvisningen. Specifikationer kan ändras utan förvarning.**

**1. SIKKERHEDSANVISNINGER**

Læs de vedlagte sikkerhedsadvarsler, de yderligere sikkerhedsadvarsler og vejledningen. Hvis sikkerhedsadvarselene og vejledningen ikke følges, kan det resultere i elektrisk stød, brand og/eller alvorlige personskader. Gem sikkerhedsadvarselene og vejledningen til fremtidig brug.

Følgende symboler anvendes i brugervejledningen eller på produktet:



Læs brugervejledningen.



Angiver risiko for personskade, dødsfald eller beskadigelse af værktøjet i tilfælde af manglende overholdelse af anvisningerne i denne vejledning.



Risiko for elektrisk stød.



Tag øjeblikkeligt netstikket ud af stikkontakten, hvis netkablet bliver beskadiget, samt under rengøring og vedligeholdelse.



Klasse II-maskine – Dobbeltisoleret – Du har ikke brug for et jordstik.



Kun til kold aske! Der er risiko for brand, hvis sugematerialet overstiger en temperatur på 40 °C (104 °F)!



Bortskaf ikke produktet i uegnede beholdere.



Produktet er i overensstemmelse med de gældende sikkerhedsstandarder i EU direktiverne.

**SIKKERHEDSBEMÆRKNINGER**

DETTE APPARAT KAN ANVENDES AF BØRN PÅ 8 ÅR OG DEROVER SAMT AF PERSONER MED NEDSATTE FYSISKE, SENSORISKE ELLER MENTALE EVNER ELLER MANGLENDE ERFARING OG VIDEN, HVIS DE HOLDES UNDER OPSYN ELLER HAR FÅET VEJLEDNING I AT BRUGE APPARATET PÅ EN SIKKER MÅDE OG FORSTÅR DE DERMED FORBUNDNE RISICI. BØRN MÅ IKKE LEGE MED APPARATET. RENGØRING OG BRUGERVELDIGEHOLDELSE MÅ IKKE UDFØRES AF BØRN UDEN OPSYN. HVIS FORSYNINGSLEDNINGEN ER BESKADIGET, SKAL DEN UDSKIFTES



AF PRODUCENTEN, DENS SERVICEAGENT ELLER LIGNENDE KVALIFICEREDE PERSONER FOR AT UNDGÅ FARER. STIKKET SKAL TRÆKKES UD AF STIKKONTAKTEN INDEN RENGØRING ELLER VEDLIGEHOLDELSE AF APPARATET.

- 1) Hold dit arbejdsområde rent: Rodede arbejdsområder og arbejdsbænke er en kilde til personskade.
- 2) Støvsugeren skal monteres korrekt inden brug.
- 3) Brug kun forlængerledninger, der er godkendt til udendørs brug (når støvsugeren bruges udenfor), og sørg for, at de altid er i god stand.
- 4) Beskyt strømkablerne, og sørg især for, at de ikke bliver mast, trukket eller beskadiget af kanter, skarpe stykker eller bevægelige dele, og at de ikke bliver beskadiget af ætsende væsker.
- 5) Anvend ikke en beskadiget forlængerledning. Foretag ikke permanente eller midlertidige reparationer af selve kablet.
- 6) Brug ikke en støvsuger, der har en beskadiget strømledning. Få et nyt kabel installeret af et autoriseret servicecenter.
- 7) Fastgør ikke andet til stikkontakten, strømledningerne eller forlængerledningen.
- 8) Inden du slutter støvsugeren til stikkontakten, skal du sørge for, at spændingen og stikkontaktens krav svarer til det, der er angivet på mærkatens ved siden af ledningen.
- 9) Træk ikke i enheden ved ledningen.
- 10) Din maskine skal altid være slukket, før du tager stikket ud af stikkontakten eller forlængerledningen.
- 11) Inden du efterlader enheden uden opsyn (selv i en kort periode), skal du slukke den og tage stikket ud af stikkontakten. Dette skal også gøres, hvis der er strømafbrud.
- 12) Undervurder ikke dens effekt. Hav altid en afbalanceret og stabil holdning.
- 13) Hold børn og kæledyr væk fra maskinen. Når maskinen er tændt, skal alle holde sig på en sikker afstand.
- 14) Enheden bør ikke bruges af børn eller personer, der ikke er fortrolige med enheden, eller som ikke har læst denne brugsvejledning.
- 15) Brugeren af enheden er ansvarlig for andres sikkerhed under brugen.
- 16) Støvsugeren bør kun bruges til det tilsigtede formål.
- 17) Før der udføres vedligeholdelses-, justerings- eller rengøringsprocedurer på støvsugeren, skal du slukke den, trække stikket ud af stikkontakten og vente på, at motoren standser.
- 18) Vær meget forsigtig, når du kontrollerer, rengør eller udfører vedligeholdelse på enheden, og brug tykke arbejdshandsker for at beskytte dine hænder.
- 19) Hverken sikkerhedsanordningerne eller strømledningerne skal ændres eller fjernes fra maskinen.
- 20) Når du bruger maskinen, skal den holdes stabilt og være på en stabil overflade eller understøttes af kroppen.
- 21) Arbejd kun i fuldt dagslys eller med passende kunstig belysning.
- 22) Vi anbefaler, at du bruger en form for høreværn til dine ører.
- 23) Hvis maskinen vibrerer unormalt, skal du stoppe motoren og lede efter årsagen med det samme. Vibrationer er normalt ensbetydende med et problem.
- 24) Støvsugeren skal kontrolleres korrekt inden hver brug. Brug ikke en maskine, der ikke er i perfekt stand. Hvis du bemærker et problem, der kan udgøre en fare for brugeren, skal du få maskinen repareret, før du bruger den.
- 25) Af sikkerhedsmæssige årsager skal du udskifte slidte eller beskadigede dele. Brug kun reservedele, der er godkendt af producenten. Dele fra andre kilder end producenten passer muligvis ikke ordentligt eller kan være farlige eller forårsage personskader. Strømledningen kan kun udskiftes af specialiserede kundeservicecentre.
- 26) Brug kun støvsugeren på områder, der er tørre og beskyttet mod dårligt vejr. Brug den ikke udenfor, når det regner.
- 27) Opbevar støvsugeren et tørt sted uden for børns rækkevidde.
- 28) Lad ikke strømledningen blive liggende, når rengøringen er afsluttet, da nogen kan risikere at snuble.
- 29) Vær forsigtig, når du tømmer meget tunge tanke.
- 30) For at undgå spontan forbrænding bør du tømme tanken efter hver brug.
- 31) Brug ikke denne maskine til at støvsuge brændbare eller letantændelige væsker såsom benzin, kopimaskinepulver eller flygtige stoffer, og brug ikke maskinen på områder, hvor disse væsker er til stede. Støvsug ikke syrer op.
- 32) Undlad at støvsuge materialer op, der er giftige, kræftfremkaldende, brændbare, og andre farlige materialer, såsom asbest, asbeststøv, arsen, barium, beryllium, bly, pesticider eller andre sund-

hedsfarlige stoffer.

- 33) Du skal være yderst forsigtig ved støvsugning af træ- eller trækulaste, sod, cement, gips eller gipspladestøv. Disse partikler er ekstremt fine og kan passere gennem filtrene og påvirke motorens ydeevne eller blive blæst ud i luften.
- 34) Støvsug ikke noget op, der brænder eller gløder, såsom cigaretter, cigaretskodder, tændstikker eller varm aske.
- 35) Støvsug aldrig saltvand op, da det kan ødelægge motoren.

### SPECIFIKKE SIKKERHEDSADVARSLER FOR BLÆSNING

- Ret kun udblæsningsluft mod arbejdsområdet. Aldrig mod mennesker eller dyr.
- Risiko for flyvende genstande. Tilskuere skal holde sig på afstand af arbejdsområdet.
- Bær altid beskyttelsesbriller, inden du bruger blæsefunktionen.

### Elektrisk sikkerhed

Når du bruger el-maskiner, skal du altid overholde de gældende sikkerhedsbestemmelser i dit land for at reducere risikoen for brand, elektrisk stød og personskader. Læs følgende sikkerhedsanvisninger samt de medfølgende sikkerhedsanvisninger.



*Kontrollér altid, at strømforsyningens spænding svarer til spændingen på ydelsesskiltets mærkat.*



*Klasse II-maskine - Dobbeltisolering - Du har ikke brug for et jordstik.*

Hvis det ikke kan undgås at bruge et maskinværktøj i et fugtigt miljø, bør du anvende en forsyning, der er beskyttet af en fejlstrømsafbryder (RCD). Brugen af en RCD reducerer risikoen for elektrisk stød.

## 2. MASKINOPLYSNINGER

### Tilsløst brug

Støvsugeren er beregnet til husholdningsbrug som våd- og tørstøvsuger, f.eks. i hjemmet, arbejdsrummet, bilen eller garagen. Støvsugeren er udstyret med en blæsefunktion. Den kan bruges til at blæse støv og affald. Enheden er ikke velegnet til kommerciel eller industriel brug.

### TEKNISKE SPECIFIKATIONER

Model No.	VC506AC
Netspænding	220-240V~
Netfrekvens	50-60 Hz
Indgangseffekt	1400W
Kabellængde	6m
Beskyttelseskategori	IPX4
Sugekraft	19 kPA, 1,8 m <sup>3</sup> /min
Nyttigt tørvolumen ca.	20 L
Nyttigt vådvolumen ca.	15 L
Filter - tørt	12L
Filter - vådt	HEPA filter
Nyttigt tørvolumen ca.	Skumfilter
Slangesystem	Ø32mm
Diameter indsugningsport (29 fig. D)	Ø52mm
Anbefalet støvpose	VC805AA / VC809AA
Vægt (inkl. alt tilbehør) ca.	6kg

### BESKRIVELSE

Tallene i teksten henviser til diagrammerne på side 2-4.

- Tænd/sluk-kontakt
- Bærehåndtag
- Blæserport
- Opbevaring af elledning
- Blæsefunktionsadapter
- Topdel
- Låseklampe
- Beholder
- Base
- Flyder
- Styrehjul
- Dræningsudgang
- Hætte til dræningsudgang
- Støvsugerport
- Filterholder
- Mundstykkeopbevaring
- Slange
- Håndtagsadapter
- Aftageligt håndtag
- Sugerør
- Mundstykke til vådt og tørt gulv
- Rundt børstemundstykke

- 23. Revnemundstykke
- 24. Bilstøvsugerværktøj
- 25. Elværktøjsadapter
- 26. Støvsamlingspose
- 27. HEPA-filter
- 28. Skumfilter
- 29. Indsugningsport

### 3. MONTERING



*Før monteringen skal du altid slukke for maskinen og trække netstikket ud af kontakten.*

1. Tryk på beholderen (8) på basen (9) som vist i fig. B. Sørg for, at basen (9) sidder godt fast.
2. Påmonter filteret (27, 28). Sørg for at montere det korrekte filter, afhængigt af applikationen:
  - Ved tørstøvsugning skal du forsigtigt skubbe HEPA-filteret (27) over filterholderen (15), mens du sørger for, at hele holderen (15) er dækket, som vist i fig. C-1.
  - Ved vådstøvsugning skal du forsigtigt skubbe skumfilteret (28) over filterholderen (15), mens du sørger for, at hele holderen (15) er dækket, som vist i fig. C-2.
3. Placer topdelen (6) på beholderen (8).
4. Tilslut sugeslangen (17).
  - Ved støvsugning (fig. E) skal du slutte sugeslangen (17) til støvsugerporten (14).
  - Ved blæsning (fig. F, G) skal du slutte sugeslangen (17) til blæserporten (3).
5. Slut håndtaget (19) til håndtagsadapteren (18). Der kan sættes et eller flere sugerør (20) på håndtaget (19) for at forlænge det (fig. A).
6. Slut det ønskede mundstykke til håndtagsadapteren (18), håndtaget (19) eller sugerørene (20).

#### Mundstykke til vådt og tørt gulv (21)

Gulvmundstykket er designet til husholdningsbrug som våd- og tørstøvsuger, f.eks. i hjemmet, arbejdsrummet eller garagen.

#### Rundt børstemundstykke (22)

Børsten er designet til at støvsuge faste stoffer fra små områder.

#### Revnemundstykke (23)

Revnemundstykket er designet til våd- og tørstøvsugning i husholdningen af kanter og andre områder, der er svært tilgængelige.

#### Bilstøvsugerværktøj (24)

Børsten er designet til at støvsuge faste stoffer fra små områder. For eksempel fra bilsæder.

#### Elværktøjsadapter (25)

Adapter til tilslutning af sugeslange med et elværktøj.

### 4. DRIFT



*Hvis støvsugeren ved et uheld vælter, kan flydermekanismen (10) muligvis dække motorens støvsugerport og stoppe sugningen. Hvis dette sker, skal du bare placere støvsugeren lodret og slukke, indtil flyderen (10) vender tilbage til sin normale position.*

#### Sådan tændes den (fig. A)



*Støvsug ikke uden et Hepa-filter!*

1. Rul sugeslangen (17) helt ud.
2. Tilslut netstikket.
3. Tryk tænd/sluk-kontakten (1) ind i positionen "ON/1" for at starte din støvsuger.

#### Sådan slukkes den (fig. A)

Tryk tænd/sluk-kontakten (1) ind i positionen "OFF/0" for at slukke din støvsuger.

#### Tørstøvsugning (fig. A, C – E)



*Rengør HEPA-filteret (27) regelmæssigt for at opretholde sugekræften.*



*For at undgå tilstopning af HEPA-filteret (27) anbefaler vi yderligere brug af en støvsamlingspose (26).*



*Fint støv, såsom støv fra cement, sod og gips, er for fint til at blive brugt sammen med kun HEPA-filteret (27) og risikerer at komme ind i motoren og beskadige det. Derfor anbefaler vi kraftigt at bruge en støvsamlingspose (26) under rengøring af denne type materialer.*



*En tilstoppet støvsamlingspose (26) kan sprænge – sørg derfor for at udskifte støvsamlingsposen til tiden!*

- Tryk strømkontakten (1) ind i positionen "FRA/0", og fjern netstikket fra stikkontakten.
- Lås op for metallåseklampen (7) og fjern topdelen (6).
- Inden støvsugning skal du fjerne alt snavs og alle rester fra beholderen (8).
- Skub forsigtigt HEPA-filteret (27) ned over filterholderen (15), mens du sørger for, at hele holderen (15) er dækket, som vist i fig. C-1.
- Ved støvsugning med støvsamlingspose (26):
  - Hold stramt i papkraven, og skub det beskyttende gummielement så langt som muligt på indsugningsporten (29) som vist i fig. D.
  - Når alt er på plads, skal du folde posen (26) ud og placere den omkring beholderens (8) indervægge.
- Sæt topdelen (6) på igen, og lås klampen (7).
- Indsæt den ene ende af slangen (17) i støvsugerporten (14). Rul sugeslangen (17) helt ud.
- Tilslut netstikket.
- Tryk tænd/sluk-kontakten (1) ind i positionen "ON/I" for at starte din støvsuger.
- Maskinen er nu klar til vådstøvsugning.
- Tryk tænd/sluk-kontakten (1) ind i positionen "OFF/0" for at slukke din støvsuger.
- Hæv slangen (17), så væsken drænes ned i beholderen (8).
- Tøm beholderen (8) øjeblikkeligt efter sugning, da den ikke er beregnet til at opbevare væsker.

### Vådstøvsugning (fig. A, C, E, H)



*Støvsugeren er udstyret med en flyder (10). Sugeeffekten falder, når det maksimale fyldningsniveau er nået. Sluk øjeblikkeligt for støvsugeren (1). Træk stikket ud af stikkontakten, og tøm beholderen (8).*



*Rengør flyderen (10) med jævne mellemrum, og se den efter for skader. Ellers kan dens funktion blive forringet.*



*Ræk aldrig ned i det vand, der skal suges op. Fare for elektrisk stød.*



*Sluk øjeblikkeligt for maskinen (1), hvis der dannes skum, eller der slipper væske ud!*



*Brug ikke en støvsamlingspose (26)!*

- Tryk strømkontakten (1) ind i positionen "FRA/0", og fjern netstikket fra stikkontakten.
- Lås op for metallåseklampen (7) og fjern topdelen (6).
- Inden vådstøvsugning skal du fjerne støvsamlingsposen (26), HEPA-filteret (27) og

- fjerne alt snavs og alle rester fra beholderen (8).
- Skub forsigtigt skumfilteret (28) ned over filterholderen (15), mens du sørger for, at hele holderen (15) er dækket, som vist i fig. C-2.
- Sæt topdelen (6) på igen, og lås klampen (7).
- Indsæt den ene ende af slangen (17) i støvsugerporten (14). Rul sugeslangen (17) helt ud.
- Tilslut netstikket.
- Tryk tænd/sluk-kontakten (1) ind i positionen "ON/I" for at starte din støvsuger.
- Maskinen er nu klar til vådstøvsugning.
- Tryk tænd/sluk-kontakten (1) ind i positionen "OFF/0" for at slukke din støvsuger.
- Hæv slangen (17), så væsken drænes ned i beholderen (8).
- Tøm beholderen (8) øjeblikkeligt efter sugning, da den ikke er beregnet til at opbevare væsker.

### Blæsefunktion (fig. A, F, G)



*Drift uden brug af filter anbefales.*



*Fjern alt snavs og alle rester fra beholderen (8), inden du bruger blæsefunktionen.*



*Bær altid beskyttelsesbriller, inden du bruger blæsefunktionen.*



*Risiko for flyvende genstande. Tilskuere skal holde sig på afstand af arbejdsområdet.*



Din støvsuger er udstyret med en blæsefunktion. Den kan bruges til at blæse støv og affald.

- Tryk strømkontakten (1) ind i positionen "FRA/0", og fjern netstikket fra stikkontakten.
- Lås op for metallåseklampen (7) og fjern topdelen (6).
- Inden blæsning skal du fjerne støvsamlingsposen (26), filteret (27, 28) og fjerne alt snavs og alle rester fra beholderen (8).
- Sæt topdelen (6) på igen, og lås klampen (7).
- Indsæt den ene ende af slangen (17) i blæserporten (3) oven på maskinen. Rul sugeslangen (17) helt ud.
- Tilslut netstikket.
- Tryk tænd/sluk-kontakten (1) ind i positionen "ON/I" for at starte din støvsuger.
- Maskinen er nu klar til at blæse støv og rester.
- Tryk tænd/sluk-kontakten (1) ind i positionen "OFF/0" for at slukke din støvsuger.

**Afslut drift (fig. A)**

1. Sluk (1) for maskinen, og træk stikket ud.
2. Åbn dræningsudgangen (12), så den støvsugede væske kan drænes ud.
3. Luk dræningsudgangen (12).
4. Fjern topdelen (6), og tøm beholderen (8).
5. Rengør maskinen med en blød klud.
6. Opbevar netkablet og tilbehøret ved maskinen. Opbevar apparatet i et tørt rum.

**5. VEDLIGEHOLDELSE**

*Inden rengøring og vedligeholdelse skal maskinen altid slukkes, og netstikket skal tages ud af stikkontakten.*

Rengør maskinbeklædningerne regelmæssigt med en blød klud, helst efter hver anvendelse. Sørg for, at der ikke er støv eller snavs i ventilationsåbningerne. Fjern snavs, der sidder meget godt fast, med en blød klud, der er fugtet i sæbevand. Brug ikke opløsningsmidler, som f.eks. benzin, sprit, ammoniak osv. Kemikalier som disse beskadiger de syntetiske komponenter.

**Beholder**

Tøm beholderen (8) øjeblikkeligt efter sugning, da den ikke er beregnet til at opbevare væsker.

1. Åbn dræningsudgangen (12), så den støvsugede væske kan drænes ud.
2. Luk dræningsudgangen (12).
3. Fjern topdelen (6), og tøm beholderen (8).
4. Rengør maskinen med en blød klud.

**Filtere (Fig. A)**

*For optimal ydeevne anbefales det regelmæssigt at skifte filteret (17, 18) afhængigt af anvendelsesniveauet.*

1. Fjern forsigtigt HEPA-filteret (17) eller skumfilteret (18).
2. Brug en mild sæbe- og vandopløsning til at rengøre filteret, og skyl derefter med rent vand.
3. Lad filteret lufttørre inden installation og brug igen.
4. Geninstaller filteret.

**Flyder og filterholder (fig. H)**

Rengør flyderen (10) og filterholderen (15) regelmæssigt med en blød klud, og se den efter for skader. Ellers kan dens funktion blive forringet.

**MILJØ**

*Defekte og/eller bortskaffede elektriske og elektroniske apparater skal afleveres på en passende genbrugsstation.*

**Kun for EU-lande**

Smid ikke el-værktøjer ud sammen med almindeligt affald. I henhold til de europæiske direktiver 2012/19/EU for elektrisk og elektronisk udstyr og er implementeret i henhold til nationale rettigheder, el-værktøj som ikke længere er anvendelig skal indsamles separat og genbruges på en miljøvenlig måde.

**GARANTIVILKÅR**

VONROC produkter er udviklet efter de højeste kvalitetsstandarder og er garanteret fri for mangler i såvel materialer som udførelse i den lovpligtige periode, der starter fra datoen for det oprindelige køb. Skulle produktet udvikle nogen fejl i løbet af denne periode på grund af defekte materialer og/eller fabrikationsfejl, så kontakt VONROC direkte.

De følgende forhold er udelukket fra denne garanti:

- Reparationer og eller rettelser er blevet foretaget eller forsøgt foretaget på maskinen af uautoriserede servicecentre.
- Normal slitage.
- Værktøjet har været misligholdt, misbrugt eller vedligeholdt forkert.
- Ikke originale reservedele er blevet anvendt.

Dette udgør den eneste garanti fra virksomheden enten udtrykt eller underforstået. Der er ingen andre garantier udtrykt eller underforstået, som strækker sig ud over forsiden heraf, heri, herunder underforståede garantier for salgbarhed og egnethed til et bestemt formål. VONROC vil under ingen omstændigheder være ansvarlig for hændelige skader eller følgeskader. Forhandlernes afhjælpningsmidler vil være begrænsede til reparation eller udskiftning af fejlbehæftede enheder eller dele.

**Produktet og brugermanualen kan ændres. Specifikationer kan ændres uden forudgående varsel.**

## 1. INSTRUKCJĘ DOTYCZĄCĄ BEZPIECZEŃSTWA

Przeczytać dołączone ostrzeżenia dotyczące bezpieczeństwa, dodatkowe ostrzeżenia dotyczące bezpieczeństwa oraz instrukcje. Nieprzestrzeganie ostrzeżeń dotyczących bezpieczeństwa oraz instrukcji może prowadzić do porażenia prądem, pożaru i/lub poważnych obrażeń ciała. Zachować ostrzeżenia dotyczące bezpieczeństwa oraz instrukcje na przyszłość.

Następujące symbole są umieszczone w instrukcji obsługi lub na produkcie:



*Przeczytać instrukcje obsługi.*



*Oznacza ryzyko obrażeń ciała, śmierci lub uszkodzenia narzędzia w razie nieprzestrzegania poleceń z instrukcji.*



*Przeczytać instrukcje obsługi.*



*Niezwłocznie odłączyć wtyczkę zasilania sieciowego od gniazdka sieciowego, jeśli przewód zasilania sieciowego zostanie uszkodzony, a także na czas czyszczenia i konserwacji.*



*Maszyna klasy II - Podwójna izolacja - Nie trzeba stosować wtyczek z uziemieniem.*



*Jeśli temperatura materiału przekracza 40°C, występuje ryzyko pożaru.*



*Nie wyrzucać produktu do nieodpowiednich pojemników.*



*Produkt spełnia wymagania odpowiednich norm bezpieczeństwa podanych w dyrektywach UE.*

### UWAGI DOTYCZĄCE BEZPIECZEŃSTWA

TO URZĄDZENIE MOŻE BYĆ UŻYWANE PRZEZ DZIECI W WIEKU OD 8 LAT I OSOBY Z OGRANICZONYMI ZDOLNOŚCIAMI FIZYCZNYMI, CZUCIOWYMI LUB UMYSŁOWYMI LUB NIEPOSIADAJĄCE DOŚWIADCZENIA I WIEDZY, JEŚLI ZNAJDUJĄ SIĘ ONE POD NADZOREM LUB ZOSTAŁY PRZESZKOŁONE Z BEZPIECZNEGO UŻYTKOWANIA URZĄDZENIA I ROZUMIEJĄ ZWIĄZANE Z TYM ZAGROŻENIA. DZIECIOM NIE

WOLNO POZWALAĆ BAWIĆ SIĘ URZĄDZENIEM. DZIECIOM BEZ NADZORU NIE WOLNO PRZEPROWADZAĆ CZYSZCZENIA I KONSERWACJI URZĄDZENIA. JEŚLI PRZEWÓD ZASILANIA JEST USZKODZONY, MUSI GO WYMIENIĆ PRODUCENT, JEGO PRZEDSTAWICIEL SERWISOWY LUB PODOBNI, ODPOWIEDNIO WYKWALIFIKOWANA OSOBA, ABY UNIKNĄĆ ZAGROŻENIA. WTYCZKĘ NALEŻY WYJĄĆ Z GNIAZDKA PRZED ROZPOCZĘCIEM CZYSZCZENIA URZĄDZENIA LUB CZYNNOŚCI KONSERWACYJNYCH DOTYCZĄCYCH URZĄDZENIA.

- 1) Utrzymywać miejsce pracy w czystości: Bałagan w miejscu pracy i na blacie roboczym prowadzi do obrażeń ciała.
- 2) Odkurzacza należy prawidłowo zmontować przed użyciem.
- 3) Używać wyłącznie przedłużaczy zatwierdzonych do użytku na wolnym powietrzu (jeśli odkurzacza jest używany na wolnym powietrzu) i zawsze dopilnowywać, aby były w dobrym stanie.
- 4) Chronić kable elektryczne i, w szczególności, dopilnować, aby nie zostały ściśnięte, pociągnięte lub uszkodzone przez krawędzie, ostre elementy lub ruchome części, ani uszkodzone żrącymi cieczami.
- 5) Nie używać uszkodzonych kabli przedłużeniowych. Nie wykonywać tymczasowych ani stałych modyfikacji kabla ani go nie naprawiać.
- 6) Nie używać odkurzacza z uszkodzonym kablem elektrycznym. Zlecić instalację nowego kabla przez autoryzowany serwis.
- 7) Nie podłączać niczego poza narzędziem do gniazdka, kabli elektrycznych ani przedłużacza.
- 8) Przed podłączeniem odkurzacza do gniazdka elektrycznego dopilnować, aby napięcie i parametry gniazdka były zgodne z oznaczeniami podanymi na naklejce obok kabla.
- 9) Nie ciągnąć urządzenia za kabel.
- 10) Urządzenie należy zawsze wyłączać przed odłączeniem go od gniazdka lub przedłużacza.
- 11) Przed pozostawieniem narzędzia bez nadzoru (nawet na chwilę), wyłączyć je i odłączyć od gniazdka. Należy to również zrobić w razie utraty zasilania.
- 12) Nie lekceważyć mocy narzędzia. Zawsze utrzymywać równowagę i stabilną pozycję.
- 13) Nie pozwalać dzieciom i zwierzętom domowym zbliżać się do urządzenia. Kiedy urządzenie pracuje, wszyscy muszą znajdować się w bezpiecznej odległości.

- 14) Urządzenia nie powinny używać dzieci ani osoby, które nie znają urządzenia i nie przeczytały tej instrukcji obsługi.
- 15) Użytkownik urządzenia odpowiada za bezpieczeństwo innych osób podczas użytkowania urządzenia.
- 16) Odkurzacza wolno używać wyłącznie zgodnie z przeznaczeniem.
- 17) Przed rozpoczęciem wykonywania prac konserwacyjnych, regulacji lub czyszczenia odkurzacza, wyłączyć go, odłączyć od gniazdka i poczekać na zatrzymanie się silnika.
- 18) Zachować ostrożność podczas sprawdzania, czyszczenia lub konserwacji urządzenia i nosić grube rękawice robocze w celu ochrony dłoni.
- 19) Urządzeń zabezpieczających i kabli elektrycznych nie wolno modyfikować ani usuwać z urządzenia.
- 20) Podczas korzystania z urządzenia należy je utrzymywać w stabilnej pozycji na stabilnej powierzchni lub opierać je o ciało.
- 21) Pracować wyłącznie w świetle dziennym lub przy właściwym sztucznym oświetleniu.
- 22) Zalecamy korzystanie ze środków ochrony słuchu.
- 23) Jeśli urządzenie nietypowo wibruje, niezwłocznie zatrzymać silnik i poszukać przyczyny. Wibracje zwykle oznaczają problem.
- 24) Odkurzacza należy prawidłowo sprawdzić przed każdym użyciem. Nie używać urządzenia, które nie jest w idealnym stanie. W razie zauważenia problemu, który może stanowić zagrożenie dla użytkownika, zlecić naprawę urządzenia przed jego ponownym użyciem.
- 25) Ze względów bezpieczeństwa wymieniać zużyte lub uszkodzone części. Używać wyłącznie części zamiennych zatwierdzonych przez producenta. Części pochodzące ze źródeł innych niż producent urządzenia mogą nie pasować prawidłowo, być niebezpieczne lub spowodować obrażenia ciała. Kabel zasilający może wymienić wyłącznie pracownik serwisu.
- 26) Używać odkurzacza wyłącznie w miejscach suchych i chronionych przed niekorzystnymi warunkami atmosferycznymi. Nie używać odkurzacza na wolnym powietrzu podczas deszczu.
- 27) Przechowywać odkurzacza w suchym miejscu niedostępnym dla dzieci.
- 28) Nie pozostawiać kabla zasilającego po zakończeniu odkurzania, bo ktoś może się o niego potknąć.
- 29) Zachować ostrożność podczas opróżniania bardzo ciężkich zbiorników.
- 30) Aby uniknąć samozapłonu, opróżniać zbiornik po

każdym użyciu.

- 31) Nie używać tego urządzenia do wysysania łatwopalnych lub palnych cieczy, jak benzyna, proszek do fotokopiarek, albo substancji lotnych. Nie używać również urządzenia w miejscach, gdzie występują takie ciecze. Nie wsysać kwasów.
- 32) Nie wsysać żadnych materiałów toksycznych, rakotwórczych, palnych, ani innych niebezpiecznych materiałów, jak azbest, pył azbestowy, arsen, bar, beryl, ołów, pestycydy, bądź innych substancji niebezpiecznych dla zdrowia.
- 33) Zachować szczególną ostrożność podczas wysysania popiołu drzewnego lub popiołu z węgla drzewnego, sadzy, cementu, tynku lub pyłu z płyt gipsowo-kartonowych. Takie cząsteczki są bardzo drobne i mogą przedostawać się przez filtry, obniżając wydajność silnika, albo zostać wydmuchane w powietrze. Z tej przyczyny, zdecydowanie zalecamy zastosowanie filtra tkaninowego w połączeniu z workiem na kurz podczas usuwania tego typu materiałów.
- 34) Nie wsysać żadnych materiałów, które się palą lub tlą, jak papierosy, niedopałki, zapałki lub gorący popiół.
- 35) Nigdy nie wsysać stójnej wody, gdyż może ona zniszczyć silnik.

### SZCZEGÓLNE OSTRZEŻENIA DOTYCZĄCE ZDMUCHIWANIA

- a) Kierować strumień powietrza wyłącznie na obszar roboczy. Nigdy nie kierować strumienia na ludzi lub zwierzęta.
- b) Ryzyko wyrzucenia przedmiotów w powietrze. Nie pozwalać osobom postronnym zbliżać się do obszaru pracy.
- c) Zawsze zakładać okulary ochronne przed rozpoczęciem korzystania z funkcji dmuchawy.

### Bezpieczeństwo elektryczne

Podczas korzystania z elektronarzędzi należy zawsze przestrzegać krajowych przepisów BHP w celu ograniczenia ryzyka pożaru, porażenia prądem i obrażeń ciała. Przeczytać poniższe instrukcje dotyczące bezpieczeństwa oraz dołączone instrukcje dotyczące bezpieczeństwa.



*Zawsze sprawdzać, czy napięcie zasilania jest zgodne z napięciem podanym na tabliczce znamionowej.*



*Maszyna klasy II - Podwójna izolacja - Nie trzeba stosować wtyczek z uziemieniem.*

Jeśli obsługa elektronarzędzia w wilgotnym miejscu jest nieunikniona, użyć zasilania wyposażonego w wyłącznik różnicowoprądowy. Użycie wyłącznika różnicowoprądowego zmniejsza ryzyko porażenia prądem.

## 2. INFORMACJE O MASZYNIE

### Przeznaczenie

Odkurzacz jest przeznaczony do odkurzania na mokro i sucho w zastosowaniach domowych, np. w mieszkaniu, warsztacie, samochodzie lub garażu. Odkurzacz ma funkcję dmuchawy. Urządzenia można używać do zdmuchiwania kurzu i zanieczyszczeń. To urządzenie nie jest przeznaczone do użytku komercyjnego ani przemysłowego.

### DANE TECHNICZNE

Nr modelu	VC506AC
Napięcie sieciowe	220-240V~
Elektros tinklo dażnis	50-60 Hz
Pobór mocy	1400W
Długość kabla	6m
Stopień ochrony	IPX4
Siła ssania	19 kPA, 1,8 m <sup>3</sup> /min
Pojemność zbiornika około	20 L
Użyteczna objętość podczas pracy na sucho około	15 L
Użyteczna objętość podczas pracy na mokro.	12L
Filtr suchy	Filtr HEPA
Filtr mokry	Filtr piankowy
Przyłącze węża	Ø32mm
Średnica wlotu (29 rys. D)	Ø52mm
Zalecany worek na pył	VC805AA / VC809AA
Masa (z wszystkimi akcesoriami) około	6kg

### OPIS

Liczby w tekście odnoszą się do rysunków na stronie 2-4.

1. Włacznik
2. Rączka do przenoszenia
3. Gniazdo wylotowe
4. Uchwyt do kabla zasilającego
5. Adapter funkcji dmuchania
6. Część gorna
7. Zatrask blokujący
8. Zbiornik
9. Podstawa
10. Pływak
11. Kołka samonastawne
12. Otwór odpływowy
13. Pokrywka otworu odpływowego
14. Gniazdo wlotowe
15. Obudowa filtra
16. Schowek na dysze
17. Wąż
18. Adapter uchwytu
19. Zdejmowany uchwyt
20. Uchwyt
21. Dysza do odkurzania podłogi na mokro i na sucho
22. Dysza z okrągłą szczotką
23. Wąska dysza
24. Końcówka do odkurzania samochodu
25. Adapter do elektronarzędzia
26. Worek na pył
27. Filtr HEPA
28. Filtr piankowy
29. Otwór wlotowy

## 3. MONTAŻ



*Przed rozpoczęciem montażu zawsze wyłączać maszynę i wyjmować wtyczkę zasilania sieciowego z gniazodka.*

1. Wcisnąć zbiornik (8) na podstawę (9) zgodnie z rys. B. Dopilnować, aby podstawa (9) była solidnie zamocowana.
2. Zamontować filtr (27, 28). Pamiętać, aby zamontować prawidłowy filtr w zależności od zastosowania:
  - Do odkurzania na sucho ostrożnie nasunąć filtr HEPA (27) na obudowę filtra (15), dopilnowując by cała obudowa (15) została zasłonięta zgodnie z rys. C-1.



- Do odkurzania na mokro ostrożnie wsunąć filtr piankowy (28) na obudowę filtra (15), dopilnowując by cała obudowa (15) została zasłonięta zgodnie z rys. C-2.
3. Założyć część górną (6) na zbiornik (8).
  4. Podłączyć wąż ssący (17).
    - Do odkurzania (rys. E) podłączyć wąż ssący (17) do gniazda wlotowego (14).
    - Do zdmuchiwania (rys. F, G) podłączyć wąż ssący (17) do gniazda wylotowego (3).
  5. Podłączyć uchwyt (19) do adaptera uchwytu (18). Jedną rurę ssącą (20) lub więcej rur ssących można podłączyć do uchwytu (19) w celu jego przedłużenia (rys. A).
  6. Podłączyć żądaną dyszę do adaptera uchwytu (18), uchwytu (19) lub rur ssących (20).

#### Dysza do odkurzania podłogi na mokro i na sucho (21)

Dysza do podłóg jest przeznaczona do odkurzania na mokro i sucho w zastosowaniach domowych, np. w mieszkaniu, warsztacie lub garażu.

#### Dysza z okrągłą szczotką (22)

Szczotka jest przeznaczona do wsysania ciał stałych z małych obszarów.

#### Wąska dysza (23)

Wąska dysza jest przeznaczona do odkurzania na mokro i sucho w zastosowaniach domowych w trudno dostępnych miejscach, np. w szczelinach i zakamarkach.

#### Końcówka do odkurzania samochodu (24)

Szczotka jest przeznaczona do wsysania ciał stałych z małych obszarów. Na przykład z foteli w samochodzie.

#### Adapter do elektronarzędzia (25)

Adapter do podłączania węża ssącego do elektro-narzędzia.

## 4. OBSŁUGA



*Jeśli dojdzie do przypadkowego przewrocenia odkurzacza, pływak odcinający (10) może zasłonić gniazdo wlotowe silnika i zatrzymać ssanie. Jeśli tak się stanie, po prostu postawić odkurzacz pionowo i wyłączyć go do czasu powrotu pływaka (10) do normalnego położenia.*

#### Włączanie (rys. A)



*Nie odkurzać bez filtra!*

1. Całkowicie rozwinąć wąż ssący (17).
2. Podłączyć wtyczkę do gniazdka zasilania.
3. Wcisnąć włącznik (1) w położenie „ON/1”, aby włączyć odkurzacz.

#### Wyłączenie (rys. A)

Wcisnąć włącznik (1) w położenie „OFF/0”, aby wyłączyć odkurzacz.

#### Odkurzanie na sucho (rys. A, C – E)



*Regularnie czyścić filtr HEPA (27), aby utrzymać moc ssania.*



*Aby unikać zatykania się filtra HEPA (27), zalecamy stosowanie dodatkowego worka na kurz (26).*



*Drobny pył, np. z cementu, sadzy i tynku, jest zbyt drobny, aby mógł go wyłapywać wyłącznie filtr HEPA (27), może przedostać się do silnika i spowodować jego uszkodzenie. Z tej przyczyny zdecydowanie zalecamy stosowanie worka na kurz (26) podczas usuwania tego typu materiałów.*



*Zatkany worek na kurz (26) może ulec rozerwaniu, dlatego należy koniecznie pamiętać o wymianie worka na kurz na czas!*

1. Wcisnąć włącznik (1) w położenie „OFF/0” i wyjąć wtyczkę zasilania z gniazda sieciowego.
2. Otworzyć zatrzask blokujący (7) i zdjąć górną część (6).
3. Przed rozpoczęciem odkurzania usunąć wszelkie zanieczyszczenia i resztki ze zbiornika (8).
4. Ostrożnie nasunąć filtr HEPA (27) na obudowę filtra (15), dopilnowując by cała obudowa (15) została zasłonięta zgodnie z rys. C-1.
5. Do odkurzania z workiem na kurz (26):
  - Mocno trzymać kartonowy kołnierz i nasunąć gumowy element ochronny jak najdalej na otwór wlotowy (29) zgodnie z rys. D.
  - Po umieszczeniu powyższych elementów na miejscu rozłożyć worek (26) i umieścić go wokół wewnętrznych ścianek zbiornika (8).

6. Zamontować górną część (6) na miejsce i zamknąć zatrzask blokujący (7).
7. Włożyć jeden koniec węża (17) w gniazdo wlotowe (14). Całkowicie rozwinąć wąż ssący (17).
8. Podłączyć wtyczkę do gniazdka zasilania.
9. Wcisnąć włącznik (1) w położenie „ON/I”, aby włączyć odkurzacz.
10. Urządzenie jest teraz gotowe do odkurzania na sucho.
11. Wcisnąć włącznik (1) w położenie „OFF/0”, aby wyłączyć odkurzacz.
10. Wcisnąć włącznik (1) w położenie „OFF/0”, aby wyłączyć odkurzacz.
11. Unieść wąż (17), aby ciecz spłynęła do zbiornika (8).
12. Opróżnić zbiornik (8) niezwłocznie po zakończeniu odkurzania na mokro, ponieważ nie jest on przeznaczony do przechowywania cieczy.

### Odkurzanie na mokro (rys. A, C, E, H)



Odkurzacz jest wyposażony w pływak (10). Moc ssania spada wraz z napełnianiem zbiornika i zbliżania się do jego zapewnienia. Niezwłocznie wyłączyć odkurzacz (1). Wyjąć wtyczkę z gniazdka i opróżnić zbiornik (8).



Regularnie czyścić pływak (10) i sprawdzać pod kątem uszkodzeń. W przeciwnym razie może nie działać prawidłowo.



Nigdy nie sięgać do wody do wessania. Ryzyko porażenia prądem.



Niezwłocznie wyłączyć (1) urządzenie, jeśli powstaje piana lub wycieka z niego płyn!



Nie używać worka na pył (26)!

1. Wcisnąć włącznik (1) w położenie „OFF/0” i wyjąć wtyczkę zasilania z gniazda sieciowego.
2. Otworzyć zatrzask blokujący (7) i zdjąć górną część (6).
3. Przed odkurzaniem na mokro usunąć worek na pył (26), filtr HEPA (27) i usunąć wszystkie zanieczyszczenia i resztki ze zbiornika (8).
4. Ostrożnie nasunąć filtr piankowy (28) na obudowę filtra (15), dopilnowując by cała obudowa (15) została zasłonięta zgodnie z rys. C-2.
5. Zamontować górną część (6) na miejsce i zamknąć zatrzask blokujący (7).
6. Włożyć jeden koniec węża (17) w gniazdo wlotowe (14). Całkowicie rozwinąć wąż ssący (17).
7. Podłączyć wtyczkę do gniazdka zasilania.
8. Wcisnąć włącznik (1) w położenie „ON/I”, aby włączyć odkurzacz.
9. Urządzenie jest teraz gotowe do odkurzania na mokro.
10. Wcisnąć włącznik (1) w położenie „OFF/0”, aby wyłączyć odkurzacz.
11. Unieść wąż (17), aby ciecz spłynęła do zbiornika (8).
12. Opróżnić zbiornik (8) niezwłocznie po zakończeniu odkurzania na mokro, ponieważ nie jest on przeznaczony do przechowywania cieczy.

### Funkcja dmuchawy (rys. A, F, G)



Zalecamy używanie odkurzacza w tym trybie bez filtra.



Usunąć wszystkie zanieczyszczenia i resztki ze zbiornika (8) przed użyciem funkcji dmuchawy.



Zawsze zakładać okulary ochronne przed rozpoczęciem korzystania z funkcji dmuchawy.



Ryzyko wyrzucenia przedmiotów w powietrze. Nie pozwalać osobom postronnym zbliżyć się do obszaru pracy.

Odkurzacz ma funkcję dmuchawy. Urządzenia można używać do zdmuchiwanie kurzu i zanieczyszczeń.

1. Wcisnąć włącznik (1) w położenie „OFF/0” i wyjąć wtyczkę zasilania z gniazda sieciowego.
2. Otworzyć zatrzask blokujący (7) i zdjąć górną część (6).
3. Przed dmuchaniem usunąć worek na pył (26), filtr (27, 28) i usunąć wszystkie zanieczyszczenia i resztki ze zbiornika (8).
4. Zamontować górną część (6) na miejsce i zamknąć zatrzask blokujący (7).
5. Włożyć jeden koniec węża (17) w gniazdo wlotowe (3) na górze urządzenia. Całkowicie rozwinąć wąż ssący (17).
6. Podłączyć wtyczkę do gniazdka zasilania.
7. Wcisnąć włącznik (1) w położenie „ON/I”, aby włączyć odkurzacz.
8. Urządzenie jest teraz gotowe do zdmuchiwanie pyłu i zanieczyszczeń.
9. Wcisnąć włącznik (1) w położenie „OFF/0”, aby wyłączyć odkurzacz.

**Kończenie pracy (rys. A)**

1. Wyłączyć (1) maszynę i wyjąć wtyczkę zasilania sieciowego z gniazdka.
2. Otworzyć otwór odpływowy (12), aby umożliwić spłynięcie zassanej cieczy.
3. Zamknąć otwór odpływowo (12).
4. Zdjąć górną część (6) i opróżnić zbiornik (8).
5. Oczyszczyć urządzenie suchą ściereczką.
6. Zamocować kabel zasilający i akcesoria na maszynie. Przechowywać urządzenie w suchym pomieszczeniu.

**5. KONSERWACJA**

*Zawsze odłączyć narzędzie od zasilania sieciowego przed rozpoczęciem przeprowadzania jakichkolwiek prac konserwacyjnych.*

Czyścić obudowę maszyny regularnie miękką ściereczką, najlepiej po każdym użyciu. Dopilnować, aby otwory wentylacyjne były wolne od pyłu, kurzu i zabrudzeń. Usuwać odporne zabrudzenia miękką ściereczką zwilżoną mydlinami. Nie używać żadnych rozpuszczalników, takich jak benzyna, alkohol, amoniak itp. Takie substancje chemiczne spowodują uszkodzenie części z tworzyw sztucznych.

**Zbiornik**

Opróżnić zbiornik (8) niezwłocznie po zakończeniu odkurzania na mokro, ponieważ nie jest on przeznaczony do przechowywania cieczy.

1. Otworzyć otwór odpływowy (12), aby umożliwić spłynięcie zassanej cieczy.
2. Zamknąć otwór odpływowy (12).
3. Zdjąć górną część (6) i opróżnić zbiornik (8).
4. Oczyszczyć urządzenie suchą ściereczką.

**Filtry (rys. A)**

*W celu zapewnienia optymalnej wydajności zaleca się regularną wymianę filtrów (17, 18) w zależności od ich zużycia.*

1. Ostrożnie zdjąć filtr HEPA (17) lub piankowy (18).
2. Użyć delikatnego mydła i wody do umycia filtra, a następnie przepłukać go czystą wodą.
3. Pozostawić filtr do wyschnięcia przed jego ponownym montażem i użyciem.
4. Zamontować filtr na miejsce.

**Pływak i obudowa filtra (rys. H)**

Regularnie czyścić pływak (10) i obudowę filtra (15) miękką ściereczką i sprawdzać te element pod kątem uszkodzeń. W przeciwnym razie mogą nie działać prawidłowo.

**SRODOWISKO**

*Uszkodzone i/lub niepotrzebne urządzenia elektryczne lub elektroniczne podlegają zbiórce w odpowiednich punktach recyklingu.*

**Tylko kraje WE**

Nie wyrzucac elektronarzedzi wraz z odpadami z gospodarstw domowych. Zgodnie z dyrektywa 2012/19/WE dotyczaca zuzytych urzadzen elektrycznych i elektronicznych oraz jej wdrozeniem do prawodawstwa krajowego, elektronarzedzia, ktore juz nie nadaja sie do uzytku, podlegaja oddzielnej zbiorce oraz utylizacji w sposob przyjazny dla srodowiska.

**GWARANCJA**

Produkty VONROC są wytwarzane zgodnie z najwyższymi standardami jakości i producent udziela gwarancji na wady materiałowe i wady wykonania na okres wymagany prawem, licząc od dnia zakupu. Jeśli wystąpi usterka produktu w tym okresie spowodowana wadą materiałową i/lub wadą wykonania, proszę bezpośrednio skontaktować się ze sprzedawcą VONROC.

Następujące okoliczności powodują unieważnienie gwarancji:

- Przeprowadzono naprawy lub modyfikacje narzędzia w serwisie innym lub autoryzowany lub podjęto ich próbę;
- Normalne zużycie nie jest objęte gwarancją;
- Narzędzie było używane niezgodnie z przeznaczeniem, źle z nim się obchodzono lub było nieprawidłowo konserwowane;
- Użyto części zamiennych innych niż oryginalne.

Niniejsza gwarancja to wyłączna gwarancja producenta i nie obowiązują żadne inne wyrażone ani dorozumiane gwarancje. Nie obowiązują żadne inne wyrażone ani dorozumiane gwarancje o zakresie przekraczającym niniejszą gwarancję, co obejmuje dorozumiane gwarancje przydatności do sprzedaży i przydatności do określonego celu. W żadnym przypadku firma VONROC nie ponosi odpowiedzialności

za straty przypadkowe lub wynikowe. Zadośćuczynienie sprzedawcy jest ograniczone do naprawy lub wymiany niezgodnych urządzeń lub części.

**Produkt i instrukcja obsługi podlegają zmianom. Dane techniczne podlegają zmianom bez uprzedzenia.**

## 1. INSTRUCȚIUNI DE SIGURANȚA

Cititi avertizarile de siguranta, avertizarile de siguranta suplimentare si instructiunile. Nerespectarea avertizarilor de siguranta poate cauza producerea de electrocutari, incendii si/sau raniri grave. Pastrati avertizarile de siguranta si instructiunile pentru referinte viitoare.

În manualul de utilizare sau pe produs se utilizeaza urmatoarele simboluri:



*Cititi manualul de utilizare.*



*Indica riscul de ranire personala, pierderea vietii sau deteriorarea sculei în cazul în care nu se respecta instructiunile din acest manual.*



*Pericol de electrocutare.*



*Îndepartati imediat fisa de la priza de retea în cazul în care cablul de alimentare se deterioreaza în timpul procedurilor de curatare si de întretinere.*



*Mașină clasa II - Izolație dublă - Nu aveți nevoie de nicio priză de împământare.*



*Numai pentru cenușă rece! Există riscul de incendiu dacă materialul de aspirație depășește temperatura de 40°C (104°F)!*



*Nu scoateti din uz produsul în containere neadecvate.*



*Produsul este în conformitate cu standardele de siguranta aplicabile din directivele europene.*

### NOTE DE SIGURANȚĂ

ACEST APARAT POATE FI UTILIZAT DE COPIII CU VÂRSTA DE PESTE 8 ANI ȘI DE CĂTRE PERSOANE CU CAPACITĂȚI FIZICE, SENZORIALE SAU MENTALE REDUSE SAU DE CĂTRE PERSOANE LIPSITE DE EXPERIENȚĂ ȘI CUNOȘTINȚE DACĂ ACESTEA AU FOST SUPRAVEGHEATE ȘI INSTRUITE CU PRIVIRE LA UTILIZAREA APARATULUI ÎN CONDIȚII DE SIGURANȚĂ ȘI ÎNȚELEGERISCURILE PE CARE LE IMPLICĂ. COPII NU AU VOIE SĂ SE JOACE CU APARATUL. CURĂȚAREA ȘI OPERAȚIUNILE DE ÎNTREȚINERE NU TREBUIE EFECTUATE DE COPII

FĂRĂ SUPRAVEGHERE. ÎN CAZUL ÎN CARE CABLUL DE ALIMENTARE ESTE DETERIORAT, ACESTA TREBUIE ÎNLOCUIT DE CĂTRE PRODUCĂTOR, DE CĂTRE AGENTUL DE SERVICE SAU DE CĂTRE PERSOANE CALIFICATE ÎN MOD SIMILAR, PENTRU A EVITA PERICOLELE. ÎNAINTE DE CURĂȚAREA SAU ÎNȚEȚINEREA ACESTUI APARAT, ȘTECHERUL TREBUIE SCOS DIN PRIZĂ.

- 1) Păstrați zona de siguranța lucru curată: Zonele de lucru aglomerate și bancurile de lucru sunt o sursă de rănire.
- 2) Aspiratorul trebuie montat corespunzător înainte de utilizare.
- 3) Folosiți numai prelungitoare omologate pentru utilizare în exterior (când aspiratorul este utilizat în exterior) și asigurați-vă că acestea sunt întotdeauna în stare bună.
- 4) Protejați cablurile electrice și, în special, asigurați-vă că acestea nu sunt strivite, trase sau deteriorate de margini, piese ascuțite sau piese mobile; sau deteriorate de lichide corozive.
- 5) Nu utilizați un cablu prelungitor deteriorat. Nu efectuați nicio reparație permanentă sau temporară a cablului.
- 6) Nu utilizați un aspirator care are un cablu electric deteriorat. Montați un cablu nou la un centru de service autorizat.
- 7) Nu atașați nimic altceva la priză, cabluri electrice sau prelungitor.
- 8) Înainte de a conecta aspiratorul la priză, asigurați-vă că tensiunea și cerințele de priză se potrivesc cu cele indicate pe etichetă lângă cablu.
- 9) Nu trageți dispozitivul de cablu.
- 10) Aparatul trebuie întotdeauna oprit înainte de al deconecta de la priză sau de la cablul prelungitor.
- 11) Înainte de a lăsa dispozitivul nesupravegheat (chiar și pentru o perioadă scurtă de timp) opriți-l și deconectați-l de la priză. Acest lucru ar trebui făcut și dacă există o întrerupere de alimentare.
- 12) Nu subestimați puterea. Mențineți întotdeauna o poziție echilibrată și stabilă.
- 13) Țineți copiii și animalele de companie la distanță de aparat. Când aparatul funcționează, toată lumea ar trebui să stea la o distanță sigură.
- 14) Dispozitivul nu trebuie utilizat de copii sau de persoane care nu sunt familiarizate cu dispozitivul sau care nu au citit acest manual de instrucțiuni.
- 15) Utilizatorul dispozitivului este responsabil pentru siguranța celorlalți în timpul utilizării acestuia.
- 16) Aspiratorul trebuie utilizat numai în scopurile prevăzute.
- 17) Înainte de a efectua orice proceduri de întreținere, reglare sau curățare a aspiratorului, opriți-l, deconectați-l de la priză electrică și așteptați oprirea motorului.
- 18) Aveți mare grijă când verificați, curățați sau efectuați întreținerea dispozitivului și purtați mănuși groase de lucru pentru a vă proteja mâinile.
- 19) Nici dispozitivele de securitate, nici cablurile electrice nu trebuie modificate sau scoase din aparat.
- 20) Când utilizați aparatul, acesta trebuie menținut staționar și pe o suprafață stabilă sau susținută de corp.
- 21) Lucrați numai în plină zi sau cu lumină artificială adecvată.
- 22) Vă recomandăm să utilizați un anumit tip de protecție auditivă pentru urechi.
- 23) Dacă aparatul vibrează anormal, opriți motorul și căutați imediat cauza. Vibrațiile înseamnă de obicei o problemă.
- 24) Aspiratorul trebuie verificat corespunzător înainte de fiecare utilizare. Nu utilizați un aparat care nu este în stare perfectă. Dacă observați o problemă care ar putea constitui un pericol pentru utilizator, reparați aparatul înainte de a-l utiliza.
- 25) Din motive de siguranță, înlocuiți piesele uzate sau deteriorate. Utilizați numai piesele de schimb recomandate de utilizator. Este posibil ca piese din alte surse decât producătorul să nu se potrivească corect sau să fie periculoase sau să provoace răniri. Cablul de alimentare poate fi înlocuit doar la centre specializate de service.
- 26) Utilizați aspiratorul numai în zone uscate și protejate de intemperii. Nu-l folosiți în exterior când plouă.
- 27) Păstrați aspiratorul într-un loc uscat, la îndemâna copiilor.
- 28) Nu lăsați cablul de alimentare întins după ce ați făcut curățarea; cineva ar putea să se împiedice.
- 29) Aveți grijă la golirea recipientelor extrem de grele.
- 30) Pentru a evita combustia spontană, goliiți rezervorul după fiecare utilizare.
- 31) Nu utilizați această mașină pentru a aspira lichide inflamabile sau combustibile, cum ar fi benzină, praf de la fotocopiator sau substanțe volatile; și nu utilizați aparatul în zonele în care sunt prezente acestea. Nu aspirați acizi.
- 32) Nu aspirați niciun material care este toxic, poate provoca cancer, poate fi combustibil sau alte materiale periculoase, precum azbest, praf de azbest, arsenic, bariu, beriliu, plumb, pesticide sau orice alte substanțe periculoase pentru sănătatea dvs.

- 33) Trebuie folosită o precauție extremă la aspirarea prafului de lemn sau cărbune, funingine, ciment, ipsos sau praf de gips-carton. Aceste particule sunt extrem de fine și pot trece prin filtrele care afectează performanța motorului sau pot fi suflate în aer.
- 34) Nu aspirați nimic care arde sau fumează, cum ar fi țigări, chibrituri sau cenușă fierbinte.
- 35) Nu aspirați niciodată apă sărată; poate distruge motorul.

### AVERTIZĂRI SPECIFICE DE SIGURANȚĂ PRIVIND SUFLAREA

- Evacuare directă a aerului numai în zona de lucru. Niciodată către oameni sau animale.
- Pericol de aruncare a obiectelor. Nu permiteți accesul altor persoane în zona de lucru.
- Purtați întotdeauna ochelari de protecție înainte de a utiliza funcția de suflare.

### Instrucțiuni de siguranță privind alimentarea electrică

Atunci când folosiți mașini electrice, respectați întotdeauna reglementările de siguranță aplicabile în țara dumneavoastră, pentru a reduce riscul de incendii, electrocutare și rănire personală. Citiți următoarele instrucțiuni de siguranță și, asemenea, instrucțiunile de siguranță atașate.



*Verificați întotdeauna dacă tensiunea rețelei electrice de alimentare tensiunii de pe plăcuța indicatoare a caracteristicilor tehnice.*



*Mașină clasa II - Izolație dublă - Nu aveți nevoie de nicio priză de împământare.*

În cazul în care este necesară operarea sculei electrice într-o locație cu umiditate, folosiți un dispozitiv de curent rezidual (RCD) cu alimentare protejată. Utilizarea unui RCD reduce riscul de electrocutare.

## 2. INFORMATII CU PRIVIRE LA MASINA

### Domeniul de utilizare

Aspiratorul este destinat utilizării casnice, umede și uscate, de exemplu în casă, camera de lucru, mașină sau garaj. Aspiratorul este prevăzut cu o funcție de suflare. Poate fi folosit pentru a praf și murdărie. Aparatul nu este potrivit pentru uz comercial sau industrial.

## SPECIFICATIILE TEHNICE

Model No.	VC506AC
Tensiune rețea	220-240V~
Frecvența prizei	50-60 Hz
Putere de alimentare	1400W
Lungime cablu	6m
Categoria de protecție	PX4
Forța de aspirație	19 kPA, 1,8 m <sup>3</sup> /min
Capacitate rezervor aprox.	20 L
Volum util uscat aprox.	15 L
Volum util umed aprox.	12L
Filtru - uscat	Filtru HEPA
Filtru - umed	Filtru spumă
Sistem furtun	Ø32mm
Diametru orificiu de admisie (29 Fig. D)	Ø52mm
Sac pentru praf recomandat	VC805AA / VC809AA
Greutate (incl. toate accesoriile) aprox.	6kg

## DESCRIERE

Numerele din text se refera la diagramele de la paginile 2-4.

- Comutator pornire/oprire
- Mâner de transport
- Port de suflare
- Stocarea cablului de alimentare
- Adaptor pentru funcția de suflare
- Secțiunea superioară
- Clemă de blocare
- Recipient
- Depozitarea tuburilor
- Flotor
- Roți pivotante
- Gură de golire
- Capac de evacuare a drenajului
- Port de aspirare
- Carcasă de filtrare
- Depozitare duze
- Furtun
- Adaptor pentru mâner
- Mâner detașabil
- Tuburi de aspirație
- Duză de podea umedă și uscată
- Duză perie rotundă

- 23. Duza pentru spații înguste
- 24. Sculă de aspirare auto
- 25. Adaptor unelte electrice
- 26. Sac colectare praf
- 27. Filtru HEPA
- 28. Filtru spumă
- 29. Orificiu de admisie

### 3. ASAMBLARE



*Înainte de asamblare, opriți alimentarea electrică a mașinii și deconectați fișa cablului de alimentare de la priza de rețea.*

1. Apăsați recipientul (8) pe bază (9) așa cum este indicat în Fig. B. Asigurați-vă că baza (9) este bine fixată.
2. Montați filtrul (27, 28). Asigurați-vă că montați filtrul corect, în funcție de aplicație:
  - Pentru aspirarea uscată, glisați cu grijă filtrul HEPA (27) peste carcasa filtrului (15) asigurându-vă că întreaga carcasă (15) este acoperită așa cum se arată în Fig. C-1.
  - Pentru aspirarea umedă, glisați cu grijă filtrul spumă (28) peste carcasa filtrului (15) asigurându-vă că întreaga carcasă (15) este acoperită așa cum se arată în Fig. C-2.
3. Puneți secțiunea superioară (6) pe recipient (8).
4. Conectați furtunul de aspirație (17).
  - Pentru aspirare (Fig. E), conectați furtunul de aspirație (17) la orificiul de aspirare (14).
  - Pentru suflare (Fig. F, G), conectați furtunul de aspirație (17) la orificiul de suflare (3).
5. Conectați mânerul (19) la adaptorul mânerului (18). Unul sau mai multe tuburi de aspirație (20) pot fi fixate pe mâner (19) pentru a-l extinde (fig. A).
6. Conectați duza dorită la adaptorul mânerului (18), mânerul (19) sau tuburile de aspirație (20).

#### Duza de podea umedă și uscată (21)

Duza de podea este concepută pentru aspirarea casnică umedă și uscată, de exemplu, în casă, camera de lucru sau garaj.

#### Duza perie rotundă (22)

Peria este concepută pentru aspirarea solidelor din zone mici.

#### Duza pentru spații înguste (23)

Duza pentru spații înguste este proiectată pentru aspirarea casnică umedă și uscată, pentru margini și alte zone greu accesibile.

#### Sculă de aspirare auto (24)

Peria este concepută pentru aspirarea solidelor din zone mici. De exemplu de pe scaune auto.

#### Adaptor pentru unelte electrice (25)

Adaptor pentru conectarea furtunului de aspirație cu o unealtă electrică.

### 4. ÎNAINTE



*În cazul în care aspiratorul se răstoarnă accidental, mecanismul flotor de oprire (10) poate acoperi orificiul de aspirare a motorului și poate opri aspirația. Dacă se întâmplă acest lucru, pur și simplu puneți aspiratorul în poziție verticală și opriți-l până când flotorul (10) revine la poziția sa normală.*

#### Pornirea (Fig. A)



*Nu aspirați fără un filtru Hepa!*

1. Desfaceți complet furtunul de aspirație (17).
2. Conectați la rețeaua de alimentare.
3. Apăsați comutatorul de alimentare (1) în poziția „PORNIT/1” pentru a porni aspiratorul.

#### Oprirea (Fig. A)

Apăsați comutatorul de alimentare (1) în poziția „OPRIT/0” pentru a opri aspiratorul.

#### Aspirarea uscată (Fig. A, C – E)



*Curățați regulat filtrul HEPA (27) pentru a menține puterea de aspirație.*



*Pentru a evita colmatarea filtrului HEPA (27), vă recomandăm utilizarea suplimentară a unui sac de colectare a prafului (26).*



*Praful fin, cum ar fi praful din ciment, funingine și tencuială, este prea fin pentru a fi utilizat doar cu filtrul HEPA (27) și riscă să pătrundă în motor și să-l deterioreze. De aceea, recomandăm un sac de colectare a prafului (26) atunci când curățați aceste tipuri de materiale.*



*Sacul de colectare a prafului infundat (26) poate exploda - prin urmare, asigurați-vă că înclocuiți sacul de colectare a prafului în timp util!*

1. Apăsați comutatorul de alimentare (1) în poziția „OPRIT / 0” și scoateți ștecherul din priză.
2. Deblocați clema de blocare (7) și scoateți secțiunea superioară (6).
3. Înainte de aspirare, îndepărtați toată murdăria și resturile din recipient (8).
4. Glisați cu atenție filtrul HEPA (27) în jos peste carcasa filtrului (15) asigurându-vă că întreaga carcasă (15) este acoperită așa cum se arată în Fig. C-1.
5. Pentru aspirarea cu un sac de colectare a prafului (26):
  - Țineți bine gulerul de carton și glisați elementul de protecție din cauciuc cât mai departe posibil pe orificiul de admisie (29) așa cum se arată în Fig. D.
  - Când totul este la locul său, desfășurați sacul (26) și poziționați-l în jurul pereților interiori ai recipientului (8).
6. Atașați din nou secțiunea superioară (6) și blocați clema de blocare (7).
7. Introduceți un capăt al furtunului (17) în orificiul de aspirare (14). Desfaceți complet furtunul de aspirație (17).
8. Conectați la rețeaua de alimentare.
9. Apăsați comutatorul de alimentare (1) în poziția „PORNIT/!” pentru a porni aspiratorul.
10. Aparatul este acum gata de utilizare pentru aspirare uscată.
11. Apăsați comutatorul de alimentare (1) în poziția „OPRIT/0” pentru a opri aspiratorul.

#### **Aspirarea umedă (Fig. A, C, E, H)**



*Aspiratorul este prevăzut cu un flotor (10). Puterea de aspirație scade la atingerea nivelului maxim de umplere. Opriti imediat aspiratorul (1). Scoateți ștecherul din priză și goliți recipientul (8).*



*Curățați flotorul (10) la intervale regulate și verificați-l pentru deteriorări. În caz contrar, funcționarea sa poate fi afectată.*



*Nu aspirați apă în mod direct. Pericol de electrocutare.*



*Opriti imediat (1) aparatul dacă se formează spumă sau se scurg lichide!*



*Nu utilizați un sac de colectare a prafului (26)!*

1. Apăsați comutatorul de alimentare (1) în poziția „OPRIT / 0” și scoateți ștecherul din priză.
2. Deblocați clema de blocare (7) și scoateți secțiunea superioară (6).
3. Înainte de aspirarea umedă, scoateți sacul de colectare a prafului (26), filtrul HEPA (27) și îndepărtați toată murdăria și resturile din recipient (8).
4. Glisați cu grijă filtrul spumă (28) în jos peste cușca filtrului (15) asigurându-vă că întreaga carcasă (15) este acoperită așa cum se arată în Fig. C-2.
5. Atașați din nou secțiunea superioară (6) și blocați clema de blocare (7).
6. Introduceți un capăt al furtunului (17) în orificiul de aspirare (14). Desfaceți complet furtunul de aspirație (17).
7. Conectați la rețeaua de alimentare.
8. Apăsați comutatorul de alimentare (1) în poziția „PORNIT/!” pentru a porni aspiratorul.
9. Aparatul este acum gata pentru aspirarea umedă.
10. Apăsați comutatorul de alimentare (1) în poziția „OPRIT/0” pentru a opri aspiratorul.
11. Ridicați furtunul (17) astfel încât lichidele să se scurgă în recipient (8).
12. Goliți recipientul (8) imediat după curățarea prin aspirație, deoarece nu este conceput pentru a depozita lichide.

#### **Funcția de suflare (Fig. A, F, G)**



*Se recomandă operarea fără utilizarea unui filtru.*



*Îndepărtați toată murdăria și resturile din recipient (8) înainte de a utiliza funcția de suflare.*



*Purtați întotdeauna ochelari de protecție înainte de a utiliza funcția de suflare.*



*Pericol de proiectare a obiectelor. Nu permiteți accesul altor persoane în zona de lucru.*



Aspiratorul dvs. este echipat cu o funcție de suflare. Poate fi folosit pentru a praf și murdărie.

1. Apăsăți comutatorul de alimentare (1) în poziția „OPRIT/0” și scoateți ștecherul de la rețea.
2. Deblocați clema de blocare (7) și scoateți secțiunea superioară (6).
3. Înainte de suflare, scoateți sacul de colectare a prafului (26), filtrul (27, 28) și îndepărtați toată murdăria și resturile din recipient (8).
4. Atașați din nou secțiunea superioară (6) și blocați clema de blocare (7).
5. Introduceți un capăt al furtunului (17) în orificiul de suflare (3) de deasupra aparatului. Desfaceți complet furtunul de aspirație (17).
6. Conectați la rețeaua de alimentare.
7. Apăsăți comutatorul de alimentare (1) în poziția „PORNIT/I” pentru a porni aspiratorul.
8. Aparatul este acum pregătit pentru suflarea prafului și a resturilor.
9. Apăsăți comutatorul de alimentare (1) în poziția „OPRIT/0” pentru a opri aspiratorul.

#### Terminarea operațiunii (Fig. A)

1. Oprți (1) aparatul și deconectați ștecherul.
2. Deschiderea orificiului de scurgere (12) pentru a permite scurgerea lichidului aspirat.
3. Închideți orificiul de evacuare (12).
4. Scoateți secțiunea superioară (6) și goliți recipientul (8).
5. Curățați aparatul cu o cârpă moale și umedă.
6. Depozitați cablul de rețea și accesoriile pe aparat. Depozitați aparatul într-un loc uscat.

## 5. ÎNTREȚINERE



Înainte de curățare și întreținere, oprți alimentarea electrică a mașinii și deconectați fișa cablului de alimentare de la prizele de rețea.

Curățați regulat carcasa cu o cârpă moale, de preferat după fiecare utilizare. Curățați fantele de aerisire de praf și murdărie. Îndepărtați murdăria persistentă cu o cârpă moale înmuiată în clăbuci de săpun. Nu folosiți solvenți precum benzină, alcool, amoniac, etc. Astfel de substanțe chimice vor deteriora componentele sintetice.

#### Recipient

Goliți recipientul (8) imediat după curățarea prin aspirație, deoarece nu este conceput pentru a depozita lichide.

1. Deschiderea orificiului de scurgere (12) pentru a permite scurgerea lichidului aspirat.
2. Închideți orificiul de evacuare (12).
3. Scoateți secțiunea superioară (6) și goliți recipientul (8).
4. Curățați aparatul cu o cârpă moale și umedă.

#### Filtre (Fig. A)



Pentru performanțe optime, se recomandă schimbarea regulată a filtrului (17, 18) în funcție de nivelul de utilizare.

1. Îndepărtați cu grijă filtrul HEPA (17) sau filtrul spumă (18).
2. Folosiți o soluție ușoară de săpun și apă pentru a curăța filtrul și apoi clătiți cu apă curată.
3. Lăsați filtrul să se usuce la aer înainte de instalare și reutilizare.
4. Reinstalați filtrul.

#### Flotor și carcasă de filtrare (Fig. H)

Curățați flotorul (10) și carcasa de filtrare (15) în mod regulat cu o cârpă moale și verificați dacă nu există deteriorări. În caz contrar, funcționarea sa poate fi afectată.

## MEDIU



Aparatele electrice sau electronice deteriorate și/sau defecte trebuie colectate în locurile de reciclare corespunzătoare.

#### Numai pentru țările din CE

Nu aruncați echipamentele acționate electric împreună cu gunoii menajeri. Conform Indicației europene 2012/19/EU pentru echipamente electrice și electronice uzate și a implementării sale la nivel național, echipamentele acționate electric scoase din uz trebuie colectate separat și evacuate într-o manieră ecologică.

## GARANȚIE

Produsele VONROC sunt realizate la cele mai înalte standarde de calitate și sunt garantate în privința materialelor și a manoperei pentru întreaga perioadă de utilizare în garanție, începând cu data achiziției. În cazul în care produsul se defectează în timpul perioadei de utilizare, contactați direct VONROC.

Următoarele circumstanțe sunt excluse de la această garanție:

- Reparațiile sau modificările care realizate sau care s-au încercat a fi efectuate de centre de service neautorizate.
- Uzura în condiții normale.
- Unealta care a fost abuzată, utilizată într-un mod neglijent sau întreținută în mod inadecvat.
- Folosirea unor piese de schimb neoriginale.

Aceasta acoperă garanția companiei, explicită sau implicită. Nu există alte garanții explicite sau implicite care să se extindă dincolo de cele indicate aici, incluzând garanțiile, vandabilitatea sau adecvarea pentru un anumit scop. În nicio situație, VONROC nu este responsabil pentru daunele incidentale sau consecvențiale. Reparațiile efectuate de reprezentant trebuie să fie limitate la reparațiile sau la înlocuirea unităților sau a pieselor neconforme.

**Produsul și manualul de utilizare pot suferi modificări. Specificațiile se pot modifica fără notificare prealabilă.**



## DECLARATION OF CONFORMITY VC506AC - WET & DRY VACUUM CLEANER

- (EN) We declare under our sole responsibility that this product is in conformity with directive 2011/65/EU of the European parliament and of the council of 8 June on the restriction of the use of certain hazardous substances in electrical and electronic equipment is in conformity and accordance with the following standards and regulations:
- (DE) Der Hersteller erklärt eigenverantwortlich, dass dieses Produkt der Direktive 2011/65/EU des Europäischen Parlaments und des Rats vom 8. Juni 2011 über die Einschränkung der Anwendung von bestimmten gefährlichen Stoffen in elektrischen und elektronischen Geräten entspricht. den folgenden Standards und Vorschriften entspricht:
- (NL) Wij verklaren onder onze volledige verantwoordelijkheid dat dit product voldoet aan de conform Richtlijn 2011/65/EU van het Europees Parlement en de Raad van 8 juni 2011 betreffende beperking van het gebruik van bepaalde gevaarlijke stoffen in elektrische en elektronische apparatuur en in overeenstemming is met de volgende standaarden en reguleringen:
- (FR) Nous déclarons sous notre seule responsabilité que ce produit est conforme aux standards et directives suivants: est conforme à la Directive 2011/65/EU du Parlement Européen et du Conseil du 8 juin 2011 concernant la limitation d'usage de certaines substances dangereuses dans l'équipement électrique et électronique.
- (ES) Declaramos bajo nuestra exclusiva responsabilidad que este producto cumple con las siguientes normas y estándares de funcionamiento: se encuentra conforme con la Directiva 2011/65/UE del Parlamento Europeo y del Consejo de 8 de junio de 2011 sobre la restricción del uso de determinadas sustancias peligrosas en los equipos eléctricos y electrónicos.
- (IT) Dichiariamo, sotto la nostra responsabilità, che questo prodotto è conforme alle normative e ai regolamenti seguenti: è conforme alla Direttiva 2011/65/UE del Parlamento Europeo e del Consiglio dell'8 giugno 2011 sulla limitazione dell'uso di determinate sostanze pericolose nelle apparecchiature elettriche ed elettroniche.
- (SV) Vi garanterar på eget ansvar att denna produkt uppfyller och följer följande standarder och bestämmelser: uppfyller direktiv 2011/65/EU från Europeiska parlamentet och EG-rådet från den 8 juni 2011 om begränsningen av användning av farliga substanser i elektrisk och elektronisk utrustning.
- (DA) Vi erklærer under eget ansvar, at dette produkt er i overensstemmelse med følgende standarder og bestemmelser: er i overensstemmelse med direktiv 2011/65/EU fra Europa-Parlamentet og Rådet af 8. juni 2011 om begrænsning af anvendelsen af visse farlige stoffer i elektrisk og elektronisk udstyr.
- (PL) Deklarujemy na własną odpowiedzialność, że ten produkt spełnia wymogi zawarte w następujących normach i przepisach: jest zgodny z Dyrektywą 2011/65/UE Parlamentu Europejskiego i Rady z dnia 8 czerwca 2011 r. w sprawie ograniczenia stosowania niektórych niebezpiecznych substancji w sprzęcie elektrycznym i elektronicznym.
- (RO) Declaram prin aceasta cu răspunderea deplină că produsul acesta este în conformitate cu următoarele standarde sau directive: este în conformitate cu Directiva 2011/65/UE a Parlamentului European și a Consiliului din 8 iunie 2011 cu privire la interzicerea utilizării anumitor substanțe periculoase la echipamentele electrice și electronice.

**EN 60335-1:2012+A11:2014+A13:2017+A1:2019+A14:2019+A2:2019, EN 60335-2-2: 2010+A11:2012+A1:2013, EN 62233:2008, EN 55014-1:2017, EN 55014-2:2015, EN 61000-3-2: 2014, EN 61000-3-3:2013, 2014/35/EU, 2014/30/EU, 2011/65/EU, 2012/19/EU**

Zwolle, 01-08-2021

H.G.F Rosberg  
CEO

VONROC • Lingenstraat 6 • 8028 PM Zwolle • The Netherlands



**VONROC®**  
BUILD YOUR FUTURE

©2021 VONROC  
[WWW.VONROC.COM](http://WWW.VONROC.COM)

2108-12