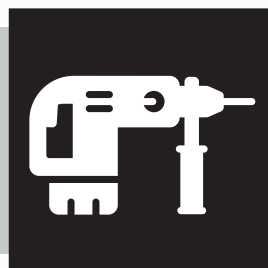




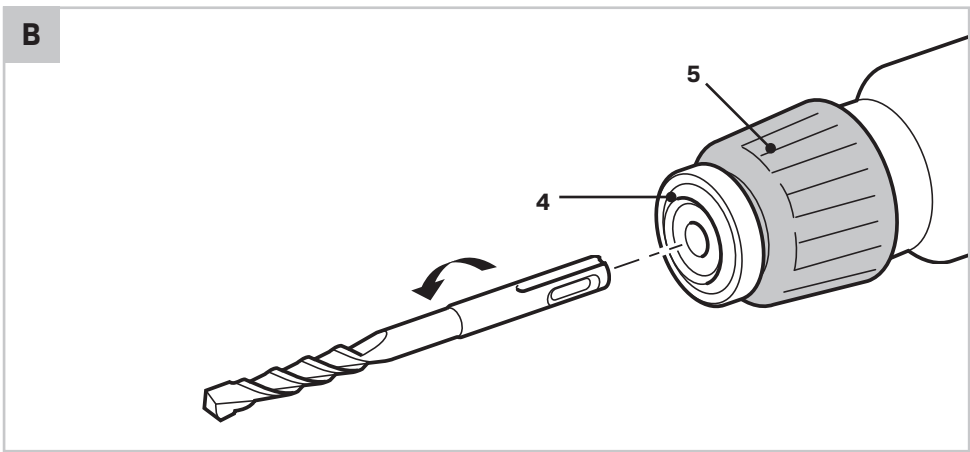
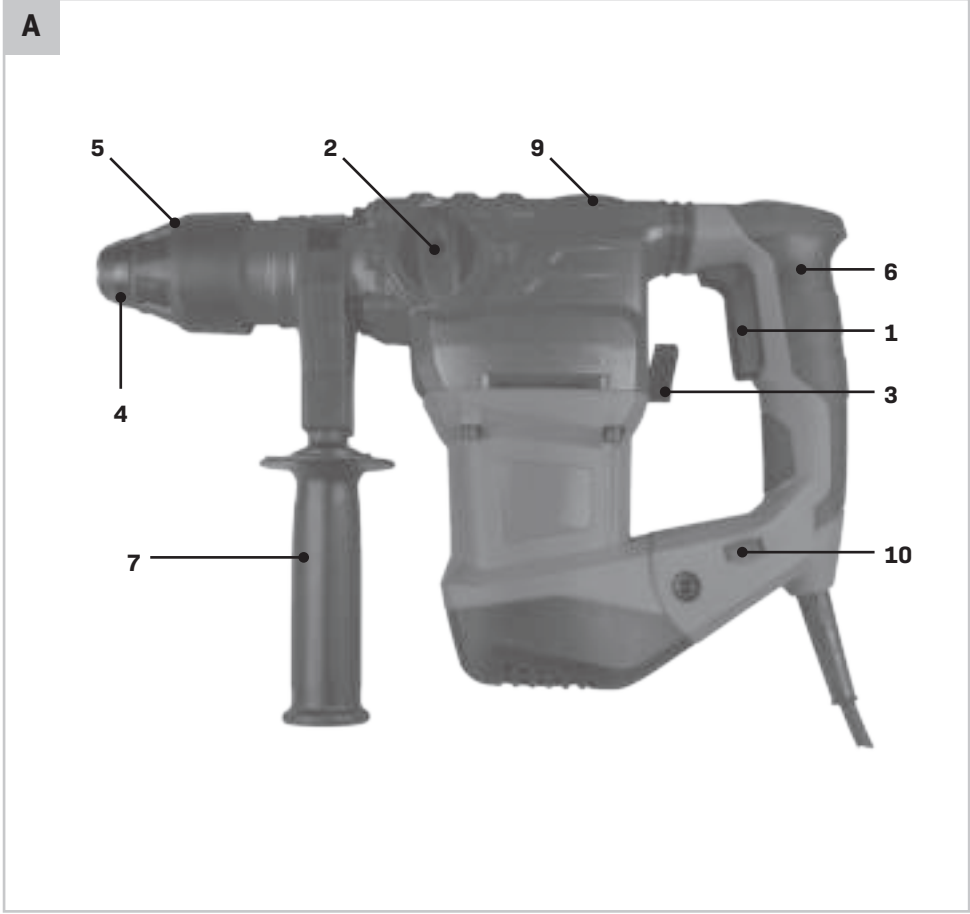
**VONROC®**

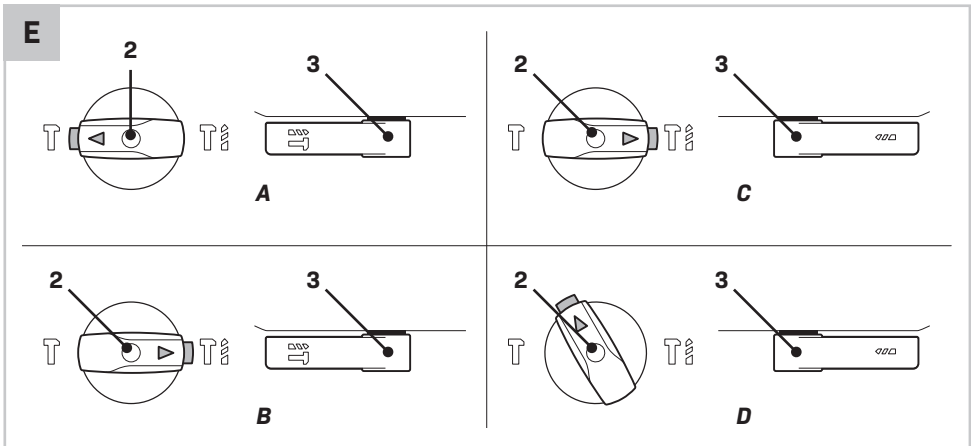
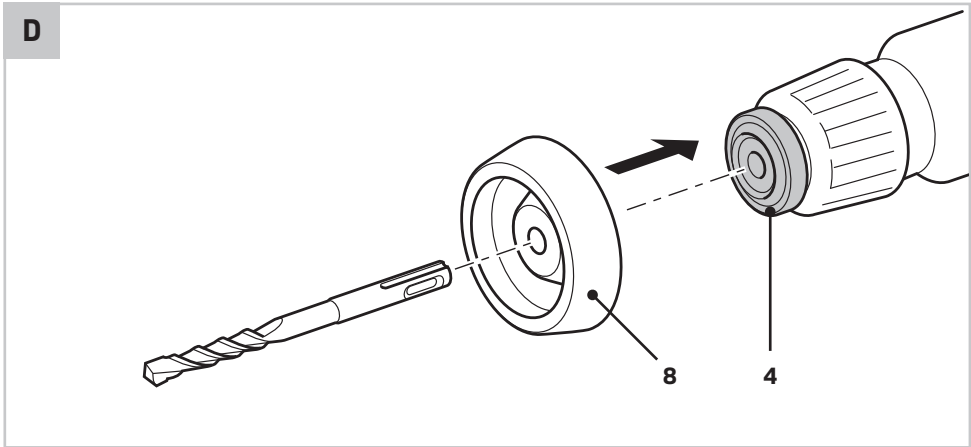
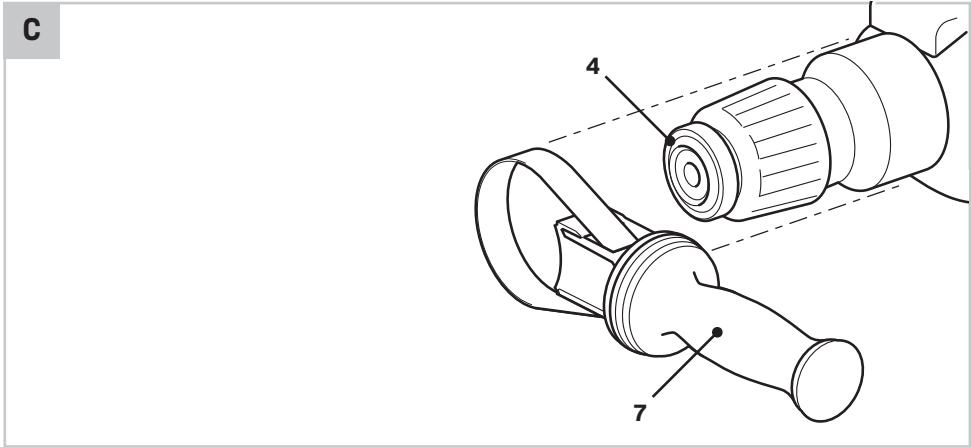
BUILD YOUR FUTURE

## ROTARY HAMMER RH504AC



<b>EN</b>	Original Instructions	04
<b>DE</b>	Übersetzung Der Originalbetriebsanleitung	09
<b>NL</b>	Vertaling van de oorspronkelijke gebruiksaanwijzing	15
<b>FR</b>	Traduction de la notice originale	21
<b>ES</b>	Traducción del manual original	27
<b>IT</b>	Traduzione delle istruzioni originali	33
<b>SV</b>	Översättning av bruksanvisning i original	39
<b>DA</b>	Oversættelse af den originale brugsanvisning	44
<b>PL</b>	Tłumaczenie instrukcji oryginalnej	50
<b>RO</b>	Traducere a instrucțiunilor originale	56





## 1. SAFETY INSTRUCTIONS

Read the enclosed safety warnings, the additional safety warnings and the instructions. Failure to follow the safety warnings and the instructions may result in electric shock, fire and/or serious injury. Save the safety warnings and the instructions for future reference.

The following symbols are used in the user manual or on the product:



Read the user manual.



Denotes risk of personal injury, loss of life or damage to the tool in case of non-observance of the instructions in this manual.



Risk of flying objects. Keep bystanders away from the work area.



Risk of electric shock.



Immediately remove the mains plug from the mains if the mains cable becomes damaged and during cleaning and maintenance.



Variable electronic speed.



Wear safety goggles.  
Wear hearing protection.



Wear a dust mask.



Wear safety gloves.



Class II machine - Double insulation - You don't need any earthed plug.



Do not dispose of the product in unsuitable containers.



The product is in accordance with the applicable safety standards in the European directives.

## GENERAL POWER TOOL SAFETY WARNINGS



**WARNING! Read all safety warnings and all instructions.** Failure to follow the warnings and instructions may result in electric shock, fire and/or serious injury.

### Save all warnings and instructions for future reference.

The term "power tool" in the warnings refers to your mains-operated (corded) power tool or battery-operated (cordless) power tool.

#### 1) Work area safety

- a) **Keep the work area clean and well lit.** Cluttered or dark areas invite accidents.
- b) **Do not operate power tools in explosive atmospheres, such as in the presence of flammable liquids, gases or dust.** Power tools create sparks which may ignite the dust or fumes.
- c) **Keep children and bystanders away while operating a power tool.** Distractions can cause you to lose control.

#### 2) Electrical safety

- a) **Power tool plugs must match the outlet. Never modify the plug in any way. Do not use any adapter plugs with earthed (grounded) power tools.** Unmodified plugs and matching outlets will reduce risk of electric shock.
- b) **Avoid body contact with earthed or grounded surfaces, such as pipes, radiators, ranges and refrigerators.** There is an increased risk of electric shock if your body is earthed or grounded.
- c) **Do not expose power tools to rain or wet conditions.** Water entering a power tool will increase the risk of electric shock.
- d) **Do not abuse the cord. Never use the cord for carrying, pulling or unplugging the power tool. Keep cord away from heat, oil, sharp edges or moving parts.** Damaged or entangled cords increase the risk of electric shock.
- e) **When operating a power tool outdoors, use an extension cord suitable for outdoor use.** Use of a cord suitable for outdoor use reduces the risk of electric shock.
- f) **If operating a power tool in a damp location is unavoidable, use a residual current device (RCD) protected supply.** Use of an RCD reduces the risk of electric shock.

### 3) Personal safety

- a) **Stay alert, watch what you are doing and use common sense when operating a power tool. Do not use a power tool while you are tired or under the influence of drugs, alcohol or medication.**

A moment of inattention while operating power tools may result in serious personal injury.

- b) **Use personal protective equipment. Always wear eye protection.** Protective equipment such as dust mask, non-skid safety shoes, hard hat, or hearing protection used for appropriate conditions will reduce personal injuries.
- c) **Prevent unintentional starting. Ensure the switch is in the off-position before connecting to power source and/or battery pack, picking up or carrying the tool.** Carrying power tools with your finger on the switch or energising power tools that have the switch on invites accidents.
- d) **Remove any adjusting key or wrench before turning the power tool on.** A wrench or a key left attached to a rotating part of the power tool may result in personal injury.
- e) **Do not overreach. Keep proper footing and balance at all times.** This enables better control of the power tool in unexpected situations.
- f) **Dress properly. Do not wear loose clothing or jewellery. Keep your hair, clothing and gloves away from moving parts.** Loose clothes, jewellery or long hair can be caught in moving parts.
- g) **If devices are provided for the connection of dust extraction and collection facilities, ensure these are connected and properly used.** Use of dust collection can reduce dust related hazards.
- h) **Do not let familiarity gained from frequent use of tools allow you to become complacent and ignore tool safety principles.** A careless action can cause severe injury within a fraction of a second.

### 4) Power tool use and care

- a) **Do not force the power tool. Use the correct power tool for your application.** The correct power tool will do the job better and safer at the rate for which it was designed.
- b) **Do not use the power tool if the switch does not turn it on and off.** Any power tool that cannot be controlled with the switch is dangerous and must be repaired.
- c) **Disconnect the plug from the power source and/or the battery pack from the power tool before making any adjustments, changing accessories, or storing power tools.** Such preventive safety

measures reduce the risk of starting the power tool accidentally.

- d) **Store idle power tools out of the reach of children and do not allow persons unfamiliar with the power tool or these instructions to operate the power tool.** Power tools are dangerous in the hands of untrained users.
- e) **Maintain power tools. Check for misalignment or binding of moving parts, breakage of parts and any other condition that may affect the power tool's operation. If damaged, have the power tool repaired before use.** Many accidents are caused by poorly maintained power tools.
- f) **Keep cutting tools sharp and clean.** Properly maintained cutting tools with sharp cutting edges are less likely to bind and are easier to control.
- g) **Use the power tool, accessories and tool bits etc. in accordance with these instructions, taking into account the working conditions and the work to be performed.** Use of the power tool for operations different from those intended could result in a hazardous situation.
- h) **Keep handles and grasping surfaces dry, clean and free from oil and grease.** Slippery handles and grasping surfaces do not allow for safe handling and control of the tool in unexpected situations.

### 5) Battery tool use and care

- a) **Recharge only with the charger specified by the manufacturer.** A charger that is suitable for one type of battery pack may create a risk of fire when used with another battery pack.
- b) **Use power tools only with specifically designed battery packs.** Use of any other battery packs may create a risk of injury and fire.
- c) **When battery pack is not in use, keep it away from other metal objects, like paper clips, coins, keys, nails, screws or other small metal objects that can make a connection from one terminal to another.** Shorting the battery terminals together may cause burns or a fire.
- d) **Under abusive conditions, liquid may be ejected from the battery; avoid contact. If contact accidentally occurs, flush with water. If liquid contacts eyes, additionally seek medical help.** Liquid ejected from the battery may cause irritation or burns.
- e) **Do not use a battery pack or tool that is damaged or modified.** Damaged or modified batteries may exhibit unpredictable behaviour

resulting in fire, explosion or risk of injury.

- f) **Do not expose a battery pack or tool to fire or excessive temperature.** Exposure to fire or temperature above 130 °C may cause explosion. NOTE The temperature „130 °C“ can be replaced by the temperature „265 °F“.
- g) **Follow all charging instructions and do not charge the battery pack or tool outside the temperature range specified in the instructions.** Charging improperly or at temperatures outside the specified range may damage the battery and increase the risk of fire.

**6) Service**

- a) **Have your power tool serviced by a qualified repair person using only identical replacement parts.** This will ensure that the safety of the power tool is maintained.
- b) **Never service damaged battery packs.** Service of battery packs should only be performed by the manufacturer or authorized service providers.

**ADDITIONAL SAFETY WARNINGS FOR ROTARY HAMMERS**

- a) **Wear ear protectors.** Exposure to noise can cause hearing loss.
- b) **Use auxiliary handle(s), if supplied with the tool.** Loss of control can cause personal injury.
- c) **Hold power tool by insulated gripping surfaces, when performing an operation where the cutting accessory may contact hidden wiring or its own cord.** Cutting accessory contacting a “live” wire may make exposed metal parts of the power tool “live” and could give the operator an electric shock.

**Electrical safety**



*Always check that the voltage of the power supply corresponds to the voltage on the rating plate.*

- Do not use the machine if the mains cable or the mains plug is damaged.
- Only use extension cables that are suitable for the power rating of the machine with a minimum thickness of 1.5 mm<sup>2</sup>. If you use an extension cable reel, always fully unroll the cable.

**2. MACHINE INFORMATION**

**Intended use**

This rotary hammer is intended for impact drilling holes in masonry such as brick, concrete and similar material. It is also suitable for drilling in wood, metal, ceramic and plastic. Furthermore, the machine can be used as a demolition hammer in combination with the SDS cold chisels provided. The machine is on no account intended for other purposes.



*Not suitable for construction site usage.*

**TECHNICAL SPECIFICATIONS**

Model No.	RH504AC
Mains voltage	230 V ~
Mains frequency	50Hz
Power input	1500W
No-load speed	0-860 /min
Impact rate	0-4250 /min
Max. Drill diameter	
- Concrete	Ø 32 mm
- Steel	Ø 13 mm
- Wood	Ø 42 mm
Weight	5.2 kg
Sound pressure (LPA)	92.7dB(A) K=3 dB(A)
Acoustic power (LWA)	103.7dB(A) K=3 dB(A)
<b>Vibration</b>	
Hammer drilling concrete a <sub>h,HD</sub>	17.360m/s <sup>2</sup> K=1.5m/s <sup>2</sup>
Chiseling a <sub>h,Cheq</sub>	13.334m/s <sup>2</sup> K=1.5m/s <sup>2</sup>

**Vibration level**

The vibration emission level stated in this instruction manual has been measured in accordance with a standardized test given in EN60745; it may be used to compare one tool with another and as a preliminary assessment of exposure to vibration when using the tool for the applications mentioned.

- Using the tool for different applications, or with different or poorly maintained accessories, may significantly increase the exposure level.
- The times when the tool is switched off or when it is running but not actually doing the job, may significantly reduce the exposure level.

Protect yourself against the effects of vibration by maintaining the tool and its accessories, keeping your hands warm, and organizing your work patterns.

## DESCRIPTION

The numbers in the text refer to the diagrams on page 2-3.

1. On/off switch
2. Drill selection switch
3. Hammer selection lever
4. Chuck
5. Locking sleeve
6. Main grip
7. Auxiliary grip
8. Dust collector
9. Lubrication point
10. Adjusting wheel for electronic speed control

## 3. ASSEMBLY



*Before assembly, always switch off the machine and remove the mains plug from the mains.*

### Mounting and removing the accessory (Fig. B)



*Caution: drills and chisels can get very hot.*



*Do not use blunt drill bits or chisels. Immediately sharpen or replace blunt drill bits or chisels.*

### Mounting

1. Apply a few drops of oil to the shaft of the accessory.
2. Slide the locking sleeve (5) to the rear.
3. Insert the accessory into the chuck (4).
4. Secure the accessory by turning it counterclockwise until it locks into place.
5. Release the locking sleeve (5).

### Removing

1. Slide the locking sleeve (5) to the rear.
2. Remove the accessory from the chuck (4).
3. Release the locking sleeve (5).

### Mounting and removing the auxiliary grip (Fig. C)

#### Mounting

1. Loosen the auxiliary grip (7) by turning it counterclockwise.
2. Mount the auxiliary grip (7) by sliding it over the chuck (4).
3. Turn the auxiliary grip (7) to the required position.
4. Tighten the auxiliary grip (7) by turning it clockwise.

#### Removing

1. Loosen the auxiliary grip (7) by turning it counterclockwise.
2. Remove the auxiliary grip (7).
3. Tighten the auxiliary grip (7) by turning it clockwise.

### Mounting and removing the dust collector (Fig. D)

The dust collector (8) prevents dust from entering the machine when drilling into ceilings.



*Immediately replace a damaged dust collector (8).*

#### Mounting

1. If necessary, remove the accessory from the chuck (4).
2. Slide the dust collector (8) over the shaft of the accessory.
3. Insert the accessory with the dust collector (8) into the chuck (4).

#### Removing

1. Remove the accessory with the dust collector (8) from the chuck (4).
2. Remove the dust collector (8) from the accessory.

## 4. OPERATION



*Hammer drills require very little operator pressure. Excessive pressure on the tool can lead to unnecessary overheating of the motor, and burning of the driven tool. It also may happen the drill bit deforms and cannot be removed from the machine again.*

**Switching on and off (Fig. A)**

- To switch on the machine, press the on/off switch (1).
- To switch off the machine, release the on/off switch (1).

**Speed Preselection (10)**

The required speed can be preselected with the thumbwheel. Also during running the rotational speed can be adjusted.

- 1 - 2 = low speed
- 3 - 4 = medium speed
- 5 - 6 = high speed
- Max = maximum speed

The required speeds depends on the material and can be determined by practical testing.

**Setting the operating mode (Fig. A & E)**

The drill selection switch (2) and the hammer selection lever (3) must be set according to the required operating mode. Refer to the table below and figure E to set the required operating mode.

**Setting Operating mode (Fig. E)**

- Chipping (chisel function): for chipping and small demolition jobs.
- Hammer Drilling (with hammer function): for drilling in masonry such as brick, concrete and similar material.
- Drilling (without hammer function): for drilling in several materials.
- Chisel angle adjustment.

Turn the drill selection switch (2) and the hammer selection lever (3) to the required position.

**User tips**

- For large holes, for instance in very hard concrete, start using a smaller bit for pilot drilling first, then drill to nominal size.
- Hold the machine firmly with 2 hands. Be aware the drill can jam and because of that machine might suddenly turn (especially when drilling deep holes).
- Do not apply a lot of pressure on the machine, let the machine do the work.

**5. MAINTENANCE**

*Before cleaning and maintenance, always switch off the machine and remove the mains plug from the mains.*

Clean the machine casings regularly with a soft cloth, preferably after each use. Make sure that the ventilation openings are free of dust and dirt. Remove very persistent dirt using a soft cloth moistened with soapsuds. Do not use any solvents such as gasoline, alcohol, ammonia, etc. Chemicals such as these will damage the synthetic components.

**ENVIRONMENT**

*Faulty and/or discarded electrical or electronic apparatus have to be collected at the appropriate recycling locations.*

**Only for EC countries**

Do not dispose of power tools into domestic waste. According to the European Guideline 2012/19/EC for Waste Electrical and Electronic Equipment and its implementation into national right, power tools that are no longer usable must be collected separately and disposed of in an environmentally friendly way.

**WARRANTY**

VONROC products are developed to the highest quality standards and are guaranteed free of defects in both materials and workmanship for the period lawfully stipulated starting from the date of original purchase. Should the product develop any failure during this period due to defective material and/or workmanship then contact VONROC directly.

The following circumstances are excluded from this guarantee:

- Repairs and or alterations have been made or attempted to the machine by unauthorized service centers;
- Normal wear and tear;
- The tool has been abused, misused or improperly maintained;
- Non-original spare parts have been used.



This constitutes the sole warranty made by company either expressed or implied. There are no other warranties expressed or implied which extend beyond the face hereof, herein, including the implied warranties of merchantability and fitness for a particular purpose. In no event shall VONROC be liable for any incidental or consequential damages. The dealers remedies shall be limited to repair or replacement of nonconforming units or parts.

**The product and the user manual are subject to change. Specifications can be changed without further notice.**

## 1. SICHERHEITSAUWEISUNGEN

Lesen Sie die beiliegenden Sicherheitsanweisungen, die zusätzlichen Sicherheitsanweisungen sowie diese Bedienungsanleitung sorgfältig durch. Bei Nichtbeachten der Sicherheitsanweisungen und der Bedienungsanleitung kann es zu einem Stromschlag, einem Brand und/oder schweren Verletzungen kommen. Bewahren Sie die Sicherheitsanweisungen und die Bedienungsanleitung zur künftigen Bezugnahme sicher auf.

Folgende Symbole werden im Benutzerhandbuch oder auf dem Produkt verwendet:



*Lesen Sie das Benutzerhandbuch.*



*Bedeutet, dass bei Nichtbeachtung der Anweisungen in dieser Anleitung Verletzungen, Tod oder Beschädigung des Werkzeugs die Folge sein können.*



*Gefahr von herumfliegenden Gegenständen. Halten Sie Unbeteiligte vom Arbeitsbereich fern.*



*Stromschlagrisiko.*



*Ziehen Sie sofort den Netzstecker aus der Steckdose, falls das Netzkabel beschädigt wird sowie bei der Reinigung und Wartung.*



*Elektronische Drehzahlregelung.*



*Tragen Sie eine Schutzbrille.  
Tragen Sie einen Gehörschutz.*



*Tragen Sie eine Staubmaske.*



*Tragen Sie Schutzhandschuhe.*



*Werkzeug/Gerat der Schutzklasse II - Schutzisoliert - kein Schutzkontaktanschluss erforderlich.*



*Entsorgen Sie das Produkt nicht in hierfür nicht vorgesehenen Abfallbehältern.*



*Das Produkt entspricht den geltenden Sicherheitsstandards in den europäischen Richtlinien.*

**ALLGEMEINE SICHERHEITSHINWEISE**

**WARNUNG! Lesen Sie alle Sicherheitshinweise, Anweisungen, Bildierungen und technischen Daten, mit denen dieses Elektrowerkzeug versehen ist. Versäumnisse bei der Einhaltung der nachfolgenden Anweisungen können elektrischen Schlag, Brand und/oder schwere Verletzungen verursachen.**

**Bewahren Sie alle Sicherheitshinweise und Anweisungen für die Zukunft auf.**

Der in den Sicherheitshinweisen verwendete Begriff „Elektrowerkzeug“ bezieht sich auf netzbetriebene Elektrowerkzeuge (mit Netzleitung) oder auf akkubetriebene Elektrowerkzeuge (ohne Netzleitung).

**1) Arbeitsplatzsicherheit**

- a) **Halten Sie Ihren Arbeitsbereich sauber und gut beleuchtet.** Unordnung oder unbeleuchtete Arbeitsbereiche können zu Unfällen führen.
- b) **Arbeiten Sie mit dem Elektrowerkzeug nicht in explosionsgefährdeter Umgebung, in der sich brennbare Flüssigkeiten, Gase oder Stäube befinden.** Elektrowerkzeuge erzeugen Funken, die den Staub oder die Dämpfe entzünden können.
- c) **Halten Sie Kinder und andere Personen während der Benutzung des Elektrowerkzeugs fern.** Bei Ablenkung können Sie die Kontrolle über das Elektrowerkzeug verlieren.

**2) Elektrische Sicherheit**

- a) **Der Anschlussstecker des Elektrowerkzeugs muss in die Steckdose passen. Der Stecker darf in keiner Weise verändert werden. Verwenden Sie keine Adapterstecker gemeinsam mit geschützten Elektrowerkzeugen.** Unveränderte Stecker und passende Steckdosen verringern das Risiko eines elektrischen Schlages.
- b) **Vermeiden Sie Körperkontakt mit geerdeten Oberflächen wie von Rohren, Heizungen, Herden und Kühlschränken.** Es besteht ein erhöhtes Risiko durch elektrischen Schlag, wenn Ihr Körper geerdet ist.
- c) **Halten Sie Elektrowerkzeuge von Regen oder Nässe fern.** Das Eindringen von Wasser in ein Elektrowerkzeug erhöht das Risiko eines elektrischen Schlages.
- d) **Zweckentfremden Sie die Anschlussleitung nicht, um das Elektrowerkzeug zu tragen, aufzuhängen oder um den Stecker aus der**

**Steckdose zu ziehen. Halten Sie die Anschlussleitung fern von Hitze, Öl, scharfen Kanten oder sich bewegenden Teilen.** Beschädigte oder verwickelte Anschlussleitungen erhöhen das Risiko eines elektrischen Schlages.

- e) **Wenn Sie mit einem Elektrowerkzeug im Freien arbeiten, verwenden Sie nur Verlängerungsleitungen, die auch für den Außenbereich geeignet sind.** Die Anwendung einer für den Außenbereich geeigneten Verlängerungsleitung verringert das Risiko eines elektrischen Schlages.
- f) **Wenn der Betrieb des Elektrowerkzeugs in feuchter Umgebung nicht vermeidbar ist, verwenden Sie einen Fehlerstromschutzschalter.** Der Einsatz eines Fehlerstromschutzschalters vermindert das Risiko eines elektrischen Schlages.

**3) Sicherheit von Personen**

- a) **Seien Sie aufmerksam, achten Sie darauf, was Sie tun, und gehen Sie mit Vernunft an die Arbeit mit einem Elektrowerkzeug. Benutzen Sie kein Elektrowerkzeug, wenn Sie müde sind oder unter dem Einfluss von Drogen, Alkohol oder Medikamenten stehen.** Ein Moment der Unachtsamkeit beim Gebrauch des Elektrowerkzeugs kann zu ernsthaften Verletzungen führen.
- b) **Tragen Sie persönliche Schutzausrüstung und immer eine Schutzbrille.** Das Tragen persönlicher Schutzausrüstung, wie Staubmaske, rutschfeste Sicherheitsschuhe, Schutzhelm oder Gehörschutz, je nach Art und Einsatz des Elektrowerkzeugs, verringert das Risiko von Verletzungen.
- c) **Vermeiden Sie eine unbeabsichtigte Inbetriebnahme. Vergewissern Sie sich, dass das Elektrowerkzeug ausgeschaltet ist, bevor Sie es an die Stromversorgung und/oder den Akku anschließen, es aufnehmen oder tragen.** Wenn Sie beim Tragen des Elektrowerkzeugs den Finger am Schalter haben oder das Elektrowerkzeug eingeschaltet an die Stromversorgung anschließen, kann dies zu Unfällen führen.
- d) **Entfernen Sie Einstellwerkzeuge oder Schraubenschlüssel, bevor Sie das Elektrowerkzeug einschalten.** Ein Werkzeug oder Schlüssel, der sich in einem drehenden Teil des Elektrowerkzeugs befindet, kann zu Verletzungen führen.
- e) **Vermeiden Sie eine abnormale Körperhaltung. Sorgen Sie für einen sicheren Stand und halten Sie jederzeit das Gleichgewicht.** Dadurch können Sie das Elektrowerkzeug in unerwarteten Situationen besser kontrollieren.

- f) **Tragen Sie geeignete Kleidung. Tragen Sie keine weite Kleidung oder Schmuck. Halten Sie Haare und Kleidung fern von sich bewegenden Teilen.** Lockere Kleidung, Schmuck oder lange Haare können von sich bewegenden Teilen erfasst werden.
- g) **Wenn Staubabsaug- und -auffangeinrichtungen montiert werden können, sind diese anzuschließen und richtig zu verwenden.** Verwendung einer Staubabsaugung kann Gefährdungen durch Staub verringern.
- h) **Wiegen Sie sich nicht in falscher Sicherheit und setzen Sie sich nicht über die Sicherheitsregeln für Elektrowerkzeuge hinweg, auch wenn Sie nach vielfachem Gebrauch mit dem Elektrowerkzeug vertraut sind.** Achtloses Handeln kann binnen Sekundenbruchteilen zu schweren Verletzungen führen.
- 4) Verwendung und Behandlung des Elektrowerkzeugs**
- a) **Überlasten Sie das Elektrowerkzeug nicht. Verwenden Sie für Ihre Arbeit das dafür bestimmte Elektrowerkzeug.** Mit dem passenden Elektrowerkzeug arbeiten Sie besser und sicherer im angegebenen Leistungsbereich.
- b) **Benutzen Sie kein Elektrowerkzeug, dessen Schalter defekt ist.** Ein Elektrowerkzeug, das sich nicht mehr ein- oder ausschalten lässt, ist gefährlich und muss repariert werden.
- c) **Ziehen Sie den Stecker aus der Steckdose und/oder entfernen Sie einen abnehmbaren Akku, bevor Sie Geräteeinstellungen vornehmen, Einsatzwerkzeugteile wechseln oder das Elektrowerkzeug weglegen.** Diese Vorsichtsmaßnahme verhindert den unbeabsichtigten Start des Elektrowerkzeugs.
- d) **Bewahren Sie unbenutzte Elektrowerkzeuge außerhalb der Reichweite von Kindern auf. Lassen Sie keine Personen das Elektrowerkzeug benutzen, die mit diesem nicht vertraut sind oder diese Anweisungen nicht gelesen haben.** Elektrowerkzeuge sind gefährlich, wenn sie von unerfahrenen Personen benutzt werden.
- e) **Pflegen Sie Elektrowerkzeuge und Einsatzwerkzeug mit Sorgfalt. Kontrollieren Sie, ob bewegliche Teile einwandfrei funktionieren und nicht klemmen, ob Teile gebrochen oder so beschädigt sind, dass die Funktion des Elektrowerkzeugs beeinträchtigt ist. Lassen Sie beschädigte Teile vor dem Einsatz des Elektrowerkzeuges reparieren.** Viele Unfälle haben ihre Ursache in schlecht gewarteten Elektrowerkzeugen.
- f) **Halten Sie Schneidwerkzeuge scharf und sauber.** Sorgfältig gepflegte Schneidwerkzeuge mit scharfen Schneidkanten verkleben sich weniger und sind leichter zu führen.
- g) **Verwenden Sie Elektrowerkzeug, Zubehör, Einsatzwerkzeuge usw. entsprechend diesen Anweisungen. Berücksichtigen Sie dabei die Arbeitsbedingungen und die auszuführende Tätigkeit.** Der Gebrauch von Elektrowerkzeugen für andere als die vorgesehenen Anwendungen kann zu gefährlichen Situationen führen.
- h) **Halten Sie Griffe und Griffflächen trocken, sauber und frei von Öl und Fett.** Rutschige Griffe und Griffflächen erlauben keine sichere Bedienung und Kontrolle des Elektrowerkzeugs in unvorhergesehenen Situationen.
- 5) Verwendung und Behandlung des Akkuwerkzeugs**
- a) **Laden Sie die Akkus nur mit Ladegeräten auf, die vom Hersteller empfohlen werden.** Durch ein Ladegerät, das für eine bestimmte Art von Akku geeignet ist, besteht Brandgefahr, wenn es mit anderen Akkus verwendet wird.
- b) **Verwenden Sie nur die dafür vorgesehenen Akkus in den Elektrowerkzeugen.** Der Gebrauch von anderen Akkus kann zu Verletzungen und Brandgefahr führen.
- c) **Halten Sie den nicht benutzten Akku fern von Büroklammern, Münzen, Schlüsseln, Nägeln, Schrauben oder anderen kleinen Metallgegenständen, die eine Überbrückung der Kontakte verursachen könnten.** Ein Kurzschluss zwischen den Akkukontakten kann Verbrennungen oder Feuer zur Folge haben.
- d) **Bei falscher Anwendung kann Flüssigkeit aus dem Akku austreten. Vermeiden Sie den Kontakt damit. Bei zufälligem Kontakt mit Wasser abspülen. Wenn die Flüssigkeit in die Augen kommt, nehmen Sie zusätzlich ärztliche Hilfe in Anspruch.** Austretende Akkuflüssigkeit kann zu Hautreizungen oder Verbrennungen führen.
- e) **Benutzen Sie keinen beschädigten oder veränderten Akku.** Beschädigte oder veränderte Akkus können sich unvorhersehbar verhalten und zu Feuer, Explosion oder Verletzungsgefahr führen.
- f) **Setzen Sie einen Akku keinem Feuer oder zu hohen Temperaturen aus.** Feuer oder Temperaturen über 130 °C können eine Explosion hervorrufen.

- g) **Befolgen Sie alle Anweisungen zum Laden und laden Sie den Akku oder das Akkuwerkzeug niemals außerhalb des in der Betriebsanleitung angegebenen Temperaturbereichs.** Falsches Laden oder Laden außerhalb des zugelassenen Temperaturbereichs kann den Akku zerstören und die Brandgefahr erhöhen.
- 6) **Service**
- a) **Lassen Sie Ihr Elektrowerkzeug nur von qualifiziertem Fachpersonal und nur mit Original-Ersatzteilen reparieren.** Damit wird sichergestellt, dass die Sicherheit des Elektrowerkzeugs erhalten bleibt.
- b) **Warten Sie niemals beschädigte Akkus.** Sämtliche Wartung von Akkus sollte nur durch den Hersteller oder bevollmächtigte Kundendienststellen erfolgen.

### ZUSÄTZLICHE SICHERHEITSHINWEISE FÜR BOHRHAMMER

- a) **Gehörschutz tragen.** Larmbelastung kann zu Horschäden und sogar Hörverlust führen.
- b) **Wenn Seitengriffe zum Lieferumfang des Werkzeugs gehören, müssen diese verwendet werden.** Ein Kontrollverlust über das Werkzeug kann zu Verletzungen führen.
- c) **Halten Sie das Elektrowerkzeug ausschließlich an den isolierten Griffflächen, wenn Sie Arbeiten durchführen, bei denen das Schneidwerkzeug in Kontakt mit verborgenen Elektroleitungen oder dem eigenen Netzkabel kommen kann.** Bei Kontakt des Schneidwerkzeugs mit einem stromführenden Kabel wird der Strom an die Metallteile des Elektrowerkzeugs und dadurch an den Bediener weitergeleitet, und der Bediener erleidet einen Stromschlag.

### Elektrische Sicherheit



Achten Sie stets darauf, dass die Spannung der Stromversorgung mit der Spannung auf dem Typenschild übereinstimmt.

- Verwenden Sie die Maschine nicht, wenn das Netzkabel oder der Netzstecker beschädigt ist.
- Verwenden Sie nur Verlängerungskabel, die für die Leistungsaufnahme der Maschine geeignet sind und eine Mindestaderstärke von 1,5 mm<sup>2</sup> haben. Falls Sie eine Kabeltrommel verwenden, rollen Sie das Kabel immer vollständig ab.

## 2. ANGABEN ZUM WERKZEUG

### Verwendungszweck

Dieser Bohrhämmer ist zur Schlagbohrung von Lochern in Mauerwerk gedacht, wie z. B. in Ziegelstein, Beton und vergleichbaren Materialien. Auch zum Bohren in Holz, Metall, Keramik und Kunststoff geeignet. Außerdem kann das Gerät in Verbindung mit dem beigelegten SDS-Flachmeißel als Abbruchhammer verwendet werden. Das Gerät darf unter keinen Umständen für andere Zwecke eingesetzt werden.



Nicht für den Baustelleneinsatz geeignet.

### TECHNISCHE DATEN

Modellnummer	RH504AC
Netzspannung	230 V ~
Netzfrequenz	50Hz
Leistungsaufnahme	1500W
Drehmomenteinstellungen	0-860 /min
Schlagzahl	0-4250 /min
Max. Bohrdurchmesser	
- Beton	Ø 32 mm
- Stahl	Ø 13 mm
- Holz	Ø 42 mm
Gewicht	5,2 kg
Schalldruck (LPA)	92,7dB(A) K=3 dB(A)
Schallleistung (LWA)	103,7dB(A) K=3 dB(A)
<b>Vibrationen</b>	
Hammerbohren in Beton a <sub>h,HD</sub>	17,360m/s <sup>2</sup> K=1,5m/s <sup>2</sup>
Meißelarbeiten a <sub>h,Cheq</sub>	13,334m/s <sup>2</sup> K=1,5m/s <sup>2</sup>

### Vibrationsintensität

Die in dieser Bedienungsanleitung angegebene Vibrationsintensität wurde mit einem standardisierten Test gemäß EN60745; gemessen. Anhand dieser Größe können Werkzeuge miteinander verglichen werden. Außerdem eignet sich diese Größe für eine erste Beurteilung der Vibrationsbelastung bei Verwendung des Werkzeugs für die angegebenen Anwendungszwecke.

- Bei Verwendung des Werkzeugs für andere Anwendungen oder mit anderem oder unzureichend gewartetem Zubehör kann sich die Vibrationsbelastung erheblich erhöhen.

- Wenn das Werkzeug ausgeschaltet ist, oder wenn es eingeschaltet ist, jedoch nicht genutzt wird, kann sich die Vibrationsbelastung erheblich verringern.

Schützen Sie sich vor den Auswirkungen der Vibration durch Wartung des Werkzeugs und des Zubehörs, halten Sie Ihre Hände warm, und organisieren Sie Ihren Arbeitsablauf.

## BESCHREIBUNG

Die Ziffern im nachstehenden Text verweisen auf die Abbildungen auf Seite 2-3.

1. Ein-/Aus-Schalter
2. Bohrmodus-Wahlschalter
3. Hammermodus-Wahlhebel
4. Spannfutter
5. Sicherungsmanschette
6. Haupthandgriff
7. Zusatzhandgriff
8. Staubfänger
9. Schmierstelle
10. Einstellrad für elektronische Drehzahlreglung

## 3. MONTAGE



*Schalten Sie die Maschine vor der Montage aus und ziehen Sie den Netzstecker aus der Steckdose.*

### Anbringen und Entfernen eines Zubehörteils (Abb. B)



*Achtung: Bohrer und Meißel können sehr heiß werden.*



*Verwenden Sie keine stumpfen Bohrer- Bits oder Meißel. Schärfen oder erneuern Sie stumpfe Bohrer-Bits oder Meißel.*

### Anbringen

1. Tragen Sie ein paar Tropfen Öl an der Welle des Zubehörs auf.
2. Schieben Sie die Sicherungsmanschette (5) nach hinten.
3. Setzen Sie das Zubehör in das Spannfutter (4) ein.
4. Sichern Sie das Zubehör durch Drehen gegen den Uhrzeigersinn, bis es in seiner Lage einrastet.
5. Lassen Sie die Sicherungsmanschette (5) los.

### Entfernen

1. Schieben Sie die Sicherungsmanschette (5) nach hinten.

2. Entfernen Sie das Zubehör aus dem Spannfutter (4).
3. Lassen Sie die Sicherungsmanschette (5) los.

### Anbringen und Entfernen des Zusatzhandgriffs (Abb. C)

#### Anbringen

1. Lösen Sie den Zusatzhandgriff (7) durch Drehen gegen den Uhrzeigersinn.
2. Bringen Sie den Zusatzhandgriff (7) an, indem Sie ihn über das Spannfutter (4) schieben.
3. Drehen Sie den Zusatzhandgriff (7) in die erforderliche Position.
4. Ziehen Sie den Zusatzhandgriff (7) durch Drehen im Uhrzeigersinn an.

#### Entfernen

1. Lösen Sie den Zusatzhandgriff (7) durch Drehen gegen den Uhrzeigersinn.
2. Entfernen Sie den Zusatzhandgriff (7).
3. Ziehen Sie den Zusatzhandgriff (7) durch Drehen im Uhrzeigersinn an.

### Anbringen und Entfernen des Staubfängers (Abb. D)

Der Staubfänger (8) verhindert, dass Staub in die Maschine eindringt, wenn in Decken gebohrt wird.



*Erneuern Sie einen beschädigten Staubfänger (8) unverzüglich.*

#### Anbringen

1. Entfernen Sie das Zubehör ggf. aus dem Spannfutter (4).
2. Schieben Sie den Staubfänger (8) über die Welle des Zubehörs.
3. Setzen Sie das Zubehör mit dem Staubfänger (8) in das Spannfutter (4) ein.

#### Entfernen

1. Entfernen Sie das Zubehör mit dem Staubfänger (8) aus dem Spannfutter (4).
2. Entfernen Sie den Staubfänger (8) vom Zubehör.

## 4. BETRIEB



*Hammerbohren erfordert eine auserst geringe Druckausübung durch den Bediener. Wird ein übermäßig hoher Druck auf das Gerät ausgeübt, kann dies zu Überhitzung des Motors und zum Verbrennen des angetriebenen Werkzeugs führen. Außerdem kann sich der Bohreinsatz verformen und anschließend nicht mehr vom Gerät entfernen lassen.*

### Ein- und Ausschalten (Abb. A)

- Um die Maschine einzuschalten, drücken Sie auf den Ein-/Aus-Schalter (1).
- Um die Maschine auszuschalten, lassen Sie den Ein-/Aus-Schalter (1) los.

### Drehzahlvoreinstellung (10)

Die erforderliche Drehzahl kann mittels Rändelrad voreingestellt werden. Die Drehzahl kann auch während des Betriebs eingestellt werden.

1 - 2 = niedrige Drehzahl

3 - 4 = mittlere Drehzahl

5 - 6 = hohe Drehzahl

Max = maximale Drehzahl

Die erforderliche Drehzahl ist abhängig vom Material und kann durch Erprobung in der Praxis ermittelt werden.

### Einstellen des Betriebsmodus (Abb. A & E)

Der Bohrmodus-Wahlschalter (2) und der Hammermodus-Wahlhebel (3) müssen entsprechend des erforderlichen Betriebsmodus eingestellt werden. Beachten Sie zur Einstellung des richtigen Betriebsmodus die Tabelle unten sowie Abbildung E.

### Einstellung Betriebsmodus (Abb. E)

- Meißeln (Meißelfunktion): zum Meißeln und für kleine Abbrucharbeiten.
- Schlagbohren (mit Schlagbohrfunktion): zum Bohren in Mauerwerk wie Ziegel, Beton und ähnlichem Material.
- Bohren (ohne Schlagbohrfunktion): zum Bohren in verschiedene Materialien.

Drehen Sie den Bohrmodus-Wahlschalter (2) und den Hammermodus-Wahlhebel (3) auf die erforderliche Position.

### Tipps für die Benutzung

- Führen Sie zum Bohren von großen Löchern, zum Beispiel in sehr hartem Beton, zuerst eine Testbohrung aus, indem Sie einen kleineren Bohreinsatz verwenden. Bohren Sie anschließend mit der Nenngröße.
- Halten Sie das Gerät fest in beiden Händen. Beachten Sie, dass es zu einer Blockade des Bohrers kommen kann, wodurch sich das Gerät eventuell plötzlich dreht (besonders beim Bohren von tiefen Löchern).
- Üben Sie keinen starken Druck auf das Gerät aus. Lassen Sie das Gerät die Arbeit verrichten.

## 5. WARTUNG



*Trennen Sie die Maschine vom Netz, wenn Sie am Mechanismus Wartungsarbeiten ausführen müssen.*

Reinigen Sie das Werkzeuggehäuse regelmäßig mit einem weichen Lappen, vorzugsweise nach jeder Verwendung. Stellen Sie sicher, dass die Luftungsöffnungen frei von Staub und Schmutz sind. Entfernen Sie anhaftenden Schmutz mit einem weichen Lappen, der leicht mit Seifenwasser befeuchtet wurde. Verwenden Sie keine Lösungsmittel wie Benzin, Alkohol, Ammoniak usw., da Chemikalien dieser Art die Kunststoffteile beschädigen.

## UMWELTSCHUTZ



*Schadhafte und/oder zu entsorgende elektrische oder elektronische Werkzeuge und Geräte müssen an den dafür vorgesehenen Recycling-Stellen abgegeben werden.*

### Nur für EG-Länder

Entsorgen Sie Elektrowerkzeuge nicht über den Hausmüll. Entsprechend der EU-Richtlinie 2012/19/EG über Elektro- und Elektronik-Altgeräte sowie der Umsetzung in nationales Recht müssen Elektrowerkzeuge, die nicht mehr im Gebrauch sind, getrennt gesammelt und umweltschonend entsorgt werden.

## GARANTIE

VONROC-Produkte werden nach den höchsten Qualitätsstandards entwickelt und sind für den gesetzlich festgelegten Zeitraum, ausgehend von dem ursprünglichen Kaufdatum, garantiert frei von Fehlern

in Material und Ausführung. Sollte das Produkt in diesem Zeitraum aufgrund von Material- und/oder Verarbeitungsmängeln Fehler aufweisen, wenden Sie sich bitte direkt an VONROC Kundendienst.

Folgende Umstände sind von der Garantie ausgeschlossen:

- Reparaturen und oder Änderungen an der Maschine, die durch nicht-autorisierte Servicestellen vorgenommen oder versucht wurden.
- Normale Abnutzung und Verschleiß.
- Das Werkzeug wurde übermäßig beansprucht, missbräuchlich verwendet oder falsch gewartet.
- Es wurden keine Original-Ersatzteile verwendet.

Dies stellt die einzige Gewährleistung des Unternehmens dar, sowohl ausdrücklich als auch implizit. Es gibt keine anderen ausdrücklichen oder stillschweigenden Garantien, die über das hier Genannte hinausgehen, einschließlich der stillschweigenden Garantien der Marktgängigkeit oder Eignung für einen bestimmten Zweck. In keinem Fall ist VONROC haftbar für Neben- oder Folgeschäden. Die Rechtsmittel des Händlers beschränken sich auf Reparatur oder Ersatz fehlerhafter Einheiten oder Teile.

**Am Produkt und am Benutzerhandbuch können Änderungen vorgenommen werden. Die technischen Daten können sich ohne Vorankündigung ändern.**

## 1. VEILIGHEIDSVOORSCHRIFTEN

Lees de bijgesloten veiligheidswaarschuwingen, de aanvullende veiligheidswaarschuwingen en de instructies. Het niet opvolgen van de veiligheidswaarschuwingen kan elektrische schokken, brand en/of ernstig letsel tot gevolg hebben. Bewaar de veiligheidswaarschuwingen en instructies als naslagwerk voor later.

De volgende symbolen worden gebruikt in de gebruikershandleiding of op het product:



*Lees de gebruikershandleiding.*



*Duidt op het risico van lichamelijk letsel, overlijden en/of beschadiging van het gereedschap, als de instructies in deze gebruiksaanwijzing niet in acht worden genomen.*



*Gevaar voor rondvliegende voorwerpen. Houd omstanders uit de buurt van het werkgebied.*



*Gevaar voor elektrische schokken.*



*Verwijder onmiddellijk de netstekker uit het stopcontact indien de netkabel beschadigd raakt en tijdens reiniging en onderhoud.*



*Variabele elektronische snelheid.*



*Draag een veiligheidsbril.  
Draag gehoorbescherming.*



*Draag een stofmasker.*



*Draag veiligheidshandschoenen.*



*Klasse II apparaat - Dubbel geïsoleerd - Een geaarde stekker is niet noodzakelijk.*



*Werp het product niet weg in ongeschikte containers.*



*Het product voldoet aan de geldende veiligheidsnormen vermeld in de Europese richtlijnen.*



## ALGEMENE VEILIGHEIDSVOORSCHRIFTEN



**WAARSCHUWING! Lees alle veiligheids-waarschuwingen en alle instructies. Het niet opvolgen van onderstaande instructies kan leiden tot een elektrische schok, brand en/of ernstig persoonlijk letsel.**

### Bewaar deze instructies.

De term "elektrisch gereedschap" in onderstaande waarschuwingen heeft betrekking op zowel apparatuur met een vaste elektriciteitskabel als op apparatuur met een accu (draadloze apparatuur).

#### 1) Werkgebied

- a) **Zorg voor een opgeruimde en goed verlichte werkomgeving.** Rommelige en donkere werkomgevingen leiden tot ongelukken
- b) **Gebruik elektrisch gereedschap nooit in een omgeving waar explosiegevaar bestaat, zoals in de nabijheid van ontvlambare vloeistoffen, gassen, dampen of andere stoffen.** Elektrische gereedschappen kunnen vonken veroorzaken, die deze stoffen tot ontbranding kunnen brengen.
- c) **Wanneer u elektrisch gereedschap gebruikt, houd dan kinderen en omstanders op afstand.** Wanneer u wordt afgeleid, kunt u de controle over het gereedschap verliezen.

#### 2) Elektrische veiligheid

- a) **Stekkers van elektrische gereedschappen moeten probleemloos passen op het stopcontact. Breng nooit wijzigingen aan in of aan de stekker. Gebruik geen adapters voor geaarde elektrische gereedschappen.** Standaardstekkers en passende stopcontacten verkleinen de kans op een elektrische schok.
- b) **Voorkom lichamelijk contact met geaarde oppervlakken van bijvoorbeeld pijpen, leidingen, radiatoren, fornuizen en koelkasten.** Wanneer uw lichaam geaard is, wordt de kans op een elektrische schok groter.
- c) **Stel elektrische gereedschappen nooit bloot aan regen of vocht.** Wanneer er water binnendringt in een elektrisch gereedschap, wordt de kans op een elektrische schok groter.
- d) **Gebruik het snoer niet om het elektrisch gereedschap te dragen, te verplaatsen of de stekker uit het stopcontact te trekken. Bescherm het snoer tegen olie, warmte, scherpe randen en bewegende delen.** Beschadigde of vastzittende snoeren vergroten

de kans op een elektrische schok.

- e) **Wanneer u elektrische gereedschappen buiten gebruikt, gebruik dan een verlengkabel die geschikt is voor buitengebruik.** Door een kabel te gebruiken die geschikt is voor buitengebruik, wordt de kans op een elektrische schok kleiner.
  - f) **Gebruik een aardlekbeveiliging (RCD) als niet te voorkomen is dat een power tool moet worden gebruikt in een vochtige omgeving.** Gebruik van een RCD vermindert het risico van elektrische schokken.
- #### 3) Persoonlijke veiligheid
- a) **Blijf altijd alert, kijk goed wat u doet en gebruik uw gezonde verstand wanneer u een elektrisch gereedschap gebruikt. Gebruik geen elektrische gereedschappen wanneer u moe bent, of drugs, alcohol of medicijnen hebt gebruikt.** Eén moment van onachtzaamheid bij het gebruik van elektrische gereedschappen kan ernstige verwondingen tot gevolg hebben.
  - b) **Gebruik persoonlijke beschermingsmiddelen. Draag altijd een veiligheidsbril.** Een gepast gebruik van veiligheidsvoorzieningen, zoals een stof masker, speciale werkschoenen met antislipzolen, een veiligheidshelm en gehoorbescherming verkleinen de kans op persoonlijk letsel.
  - c) **Voorkom dat het gereedschap per ongeluk wordt gestart. Zorg dat de schakelaar op de UITpositie staat, voordat u de stekker in het stopcontact steekt.** Draag elektrisch gereedschap nooit met uw vinger op de schakelaar en steek ook nooit de stekker van ingeschakelde elektrische gereedschappen in het stopcontact: dit leidt tot ongelukken.
  - d) **Verwijder alle instel en andere sleutels uit het elektrisch gereedschap voordat u hem inschakelt.** Instel en andere sleutels aan een ronddraaiend onderdeel van het elektrisch gereedschap kunnen tot verwondingen leiden.
  - e) **Zorg dat u nooit uw evenwicht kunt verliezen; houd altijd twee voeten stevig op de vloer.** Hierdoor kunt u het elektrisch gereedschap in onverwachte situaties beter onder controle houden.
  - f) **Zorg dat u geschikte kleding draagt. Draag geen loshangende kleding of sieraden. Houd uw haar, kleding en handschoenen uit de buurt van bewegende delen.** Loshangende kleding, sieraden en lang haar kunnen vast komen te zitten in bewegende delen.



- g) **Wanneer er voorzieningen zijn voor de aansluiting van stofzuiginstallaties, zorg dan dat ze op de juiste wijze worden aangesloten en gebruikt.** Gebruik van deze voorzieningen vermindert de gevaren die door stof worden veroorzaakt.
- h) **Denk niet dat doordat u gereedschap vaak gebruikt, u wel weet hoe het allemaal werkt en dat u de veiligheidsbeginselen voor het gebruik van het gereedschap wel kunt negeren.** Een onbezonnen actie kan in een fractie van een seconde ernstig letsel tot gevolg hebben.
- 4) Gebruik en onderhoud van elektrisch gereedschap**
- a) **Oefen geen overmatige kracht uit op elektrisch gereedschap. Gebruik het juiste gereedschap voor uw specifieke toepassing.** Met het juiste elektrische gereedschap voert u de taak beter en veiliger uit wanneer dit op de snelheid gebeurt waarvoor het apparaat is ontworpen.
- b) **Gebruik nooit elektrisch gereedschap waarvan de AAN/UITSchakelaar niet werkt.** Ieder elektrisch gereedschap dat niet kan worden in en uitgeschakeld met de schakelaar is gevaarlijk en moet worden gerepareerd.
- c) **Trek de stekker uit het stopcontact voordat u wijzigingen aanbrengt aan elektrische gereedschappen, accessoires verwisselt of het elektrisch gereedschap opbergt.** Wanneer u zich aan deze preventieve veiligheidsmaatregelen houdt, beperkt u het risico dat het gereedschap per ongeluk wordt gestart.
- d) **Berg elektrisch gereedschap dat niet in gebruik is op buiten bereik van kinderen en laat personen die niet bekend zijn met het gereedschap of deze instructies het apparaat niet gebruiken.** Elektrisch gereedschap is gevaarlijk in de handen van ongeoeffende gebruikers.
- e) **Zorg voor een goed onderhoud van elektrisch gereedschap. Controleer of bewegende delen op de juiste wijze zijn vastgezet. Controleer ook of er geen onderdelen defect zijn of dat er andere omstandigheden zijn die van invloed kunnen zijn op de werking van het gereedschap. Laat het gereedschap bij beschadigingen repareren vóór gebruik.** Veel ongelukken worden veroorzaakt door slecht onderhoud van het gereedschap.
- f) **Zorg dat snij en zaagwerktuigen scherp en schoon blijven.** Goed onderhouden snij en zaagwerktuigen met scherpe randen zullen minder snel vastlopen en zijn eenvoudiger onder controle te houden.
- g) **Gebruik alle elektrische gereedschappen, accessoires, bitjes etc., zoals aangegeven in deze instructies en op de wijze waarvoor het gereedschap is ontworpen. Houd daarbij rekening met de werkomstandigheden en de uit te voeren taak.** Gebruik van elektrisch gereedschap voor handelingen die afwijken van de taken waarvoor het apparaat is ontworpen kunnen leiden tot gevaarlijke situaties.
- h) **Houd handgrepen en greepoppervlakken droog, schoon en vrij van olie en vet.** Gladde handgrepen en greepoppervlakken maken veilig werken en controle over het gereedschap in onverwachte situaties onmogelijk.
- 5) Gebruik en onderhoud accugereedschap**
- a) **Laad alleen op met de lader die door de fabrikant is gespecificeerd.** Een lader die voor een bepaalde accu geschikt is, kan brand veroorzaken wanneer deze met een andere accu wordt gebruikt.
- b) **Gebruik elektrisch gereedschap alleen met de speciaal hiervoor bedoelde accu's.** Gebruik van andere accu's kan kans op letsel en brand geven.
- c) **Wanneer de accu niet in gebruik is, houd deze dan uit de buurt van andere metalen voorwerpen zoals paperclips, munten, sleutels, spijkers, schroeven of andere kleine metalen voorwerpen die een verbinding tussen twee polen kunnen maken.** Kortsluiting tussen de accupolen kan brandwonden of brand veroorzaken.
- d) **Wanneer de accu niet juist wordt gebruikt, kan er vloeistof uit lopen; raak dit niet aan. Wanneer dit per ongeluk wel gebeurt, spoel dan met water. Wanneer de vloeistof in de ogen komt, moet u een arts raadplegen.** De vloeistof uit de accu kan irritaties of brandwonden veroorzaken.
- e) **Gebruiken niet een accu of gereedschap dat beschadigd is of gemodificeerd.** Beschadigde of gemodificeerde accu's kunnen onvoorspelbaar gedrag vertonen, wat brand, explosie of een risico van letsel met zich meebrengt.
- f) **Stel een accu over het gereedschap niet bloot aan open vuur of een uitzonderlijk hoge temperatuur.** Blootstelling aan vuur of een temperatuur hoger dan 130 °C, kan een explosie veroorzaken. NB De temperatuur van "130 °C" kan worden vervangen door de temperatuur van "265 °F".
- g) **Houd u aan alle instructies voor het laden en**

**laad de accu of het gereedschap niet op buiten het temperatuurbereik dat in de instructies wordt aangeduid.** Op een onjuiste wijze laden of laden bij temperaturen buiten het aangeduide bereik kan de accu beschadigen en het risico van brand doen toenemen.

## 6) Service

- Laat uw gereedschap onderhouden door een gekwalificeerde onderhoudstechnicus die alleen gebruikmaakt van identieke vervangingsonderdelen.** Dit zorgt ervoor dat de veiligheid van de powertool intact blijft.
- Voer nooit servicewerkzaamheden uit aan beschadigde accu's.** Alleen de fabrikant of geautoriseerde service-providers mogen servicewerkzaamheden aan accu's uitvoeren.

## AANVULLENDE VEILIGHEIDSWAARSCHUWINGEN VOOR BOORHAMERS

- Draag gehoorbescherming.** Blootstelling aan lawaai kan tot gehoorbeschadiging leiden.
- Gebruik de hulpgreep (-grepen), indien met de machine meegeleverd.** Verlies van controle over de machine kan lichamelijk letsel veroorzaken.
- Houd de elektrische machine vast bij de geïsoleerde greepvlakken wanneer u een handeling uitvoert waarbij het snijhulpstuk in contact kan komen met verborgen bedrading of het eigen snoer.** Wanneer het snijhulpstuk een onder spanning staande kabel raakt, kunnen de metalen delen van de machine onder spanning komen te staan, waardoor de gebruiker een elektrische schok kan krijgen.

## Elektrische veiligheid



*Controleer altijd of de spanning van de stroomtoevoer overeenkomt met de spanning op het typeplaatje.*

- Gebruik de machine niet indien het netsnoer of de netstekker zijn beschadigd.
- Gebruik uitsluitend verlengkabels die geschikt zijn voor het vermogen van de machine met een minimale dikte van 1.5 mm<sup>2</sup>. Indien u een verlengkabelhaspel gebruikt, rol dan altijd de kabel volledig uit.

## 2. TECHNISCHE INFORMATIE

### Bedoeld gebruik

Deze boorhamer is bedoeld voor het klopboren van gaten in metselwerk zoals baksteen, beton en vergelijkbaar materiaal. Het apparaat is ook geschikt voor boren in hout, metaal, keramiek en plastic. De machine kan ook gebruikt worden als sloophamer in combinatie met de meegeleverde, passende beitels. De machine is absoluut niet bedoeld voor andere doeleinden.



*Niet geschikt voor gebruik op een bouwterrein.*

### TECHNISCHE SPECIFICATIES

Model Nr.	RH504AC
Netspanning	230 V ~
Netfrequentie	50Hz
Ingangsvermogen	1500W
Onbelast toerental	0-860 /min
Aantal slagen	0-4250 /min
Max. boordiameter	
- Beton	Ø 32 mm
- Staal	Ø 13 mm
- Hout	Ø 42 mm
Gewicht	5,2 kg
Geluidsdruk (LPA)	92,7dB(A) K=3 dB(A)
Geluidsvermogen (LWA)	103,7dB(A) K=3 dB(A)
<b>Trilling</b>	
Hamerboren in beton $a_{h,HD}$	17,360m/s <sup>2</sup> K=1,5m/s <sup>2</sup>
Beitelen $a_{h,ChEq}$	13,334m/s <sup>2</sup> K=1,5m/s <sup>2</sup>

### Trillingsniveau

Het trillingsemissieniveau, dat in deze gebruiksaanwijzing wordt vermeld, is gemeten in overeenstemming met een gestandaardiseerde test volgens EN60745; deze mag worden gebruikt om twee machines met elkaar te vergelijken en als voorlopige beoordeling van de blootstelling aan trilling bij gebruik van de machine voor de vermelde toepassingen.

- Het gebruik van de machine voor andere toepassingen, of met andere of slecht onderhouden accessoires, kan het blootstellingsniveau aanzienlijk verhogen.

- Wanneer de machine is uitgeschakeld of wanneer deze loopt maar geen werk verricht, kan dit het blootstellingsniveau aanzienlijk reduceren.

Bescherm uzelf tegen de gevolgen van trilling door de machine en de accessoires te onderhouden, uw handen warm te houden en uw werkwijze te organiseren.

## BESCHRIJVING

De nummers in de tekst verwijzen naar de illustraties op pagina 2-3.

1. Aan/uit-schakelaar
2. Keuzeschakelaar boren
3. Keuzehendel hameren
4. Spankop
5. Vergrendelingshuls
6. Hoofdhandgreep
7. Extra handgreep
8. Stofopvanger
9. Smeerpunt
10. Aanpasknop voor elektronische snelheidscontrole

## 3. ASSEMBLAGE



*Schakel voor assemblage altijd de machine uit en verwijder de netstekker uit het stopcontact.*

### Monteren en verwijderen van het accessoire (Fig. B)



*Let op: boren en beitels kunnen erg heet worden.*



*Gebruik geen botte boorbits of beitels. Slijp of vervang botte boorbits of beitels onmiddellijk.*

### Monteren

1. Breng een paar druppels olie aan op de schacht van het accessoire.
2. Schuif de vergrendelingshuls (5) naar achteren.
3. Plaats het accessoire in de spankop (4).
4. Zet het accessoire vast door het linksom te draaien totdat het op zijn plaats klikt.
5. Laat de vergrendelingshuls (5) los.

### Verwijderen

1. Schuif de vergrendelingshuls (5) naar achteren.
2. Verwijder het accessoire uit de spankop (4).
3. Laat de vergrendelingshuls (5) los.

### Monteren en verwijderen van de extra handgreep (Fig. C)

#### Monteren

1. Draai de extra handgreep (7) los door hem linksom te draaien.
2. Monteer de extra handgreep (7) door hem over de spankop (4) te schuiven.
3. Draai de extra handgreep (7) naar de gewenste positie.
4. Draai de extra handgreep (7) vast door hem rechtsom te draaien.

#### Verwijderen

1. Draai de extra handgreep (7) los door hem linksom te draaien.
2. Verwijder de extra handgreep (7).
3. Draai de extra handgreep (7) vast door hem rechtsom te draaien.

### Monteren en verwijderen van de stofopvanger (Fig. D)

De stofopvanger (8) voorkomt dat stof de binnenkant van de machine bereikt bij het boren in plafonds.



*Vervang een beschadigde stofopvanger (8) onmiddellijk.*

#### Monteren

1. Verwijder indien nodig het accessoire uit de spankop (4).
2. Schuif de stofopvanger (8) over de schacht van het accessoire.
3. Plaats het accessoire met de stofopvanger (8) in de spankop (4).

#### Verwijderen

1. Verwijder het accessoire met de stofopvanger (8) uit de spankop (4).
2. Verwijder de stofopvanger (8) van het accessoire.

## 4. BEDIENING



*Hamerboren vereist weinig druk van de gebruiker. Overdadige druk kan er toe leiden dat de motor onnodig overbelast wordt en boren verbranden. Tevens kan de boor vervormen, waardoor het niet weer uit de machine gehaald kan worden.*

**In- en uitschakelen (Fig. A)**

- Om de machine in te schakelen, drukt u de aan/uit-schakelaar (1) in.
- Om de machine uit te schakelen, laat u de aan/uit-schakelaar (1) los.

**Snelheidinstelling (10)**

De gewenste snelheid kan vooraf worden ingesteld met de draaiknop. De snelheid kan ook tijdens het frezen worden gewijzigd.

1 - 2 = lage snelheid

3 - 4 = gemiddelde snelheid

5 - 6 = hoge snelheid

Max = maximale snelheid

De gewenste snelheid is afhankelijk van het materiaal en kan worden vast gesteld door een test.

**Instellen van de bedrijfsmodus (Fig. A & E)**

De keuzeschakelaar boren (2) en de keuzehendel hameren (3) moeten worden ingesteld op basis van de gewenste bedrijfsmodus. Raadpleeg onderstaande tabel en afbeelding E voor het instellen van de boorstand die u nodig hebt.

**Instelling Bedrijfsmodus (Fig. E)**

- Hakken (beitelfunctie): voor hakken en klein sloopwerk.
- Hamerboren (met hamerfunctie): voor het boren in metselwerk, zoals in baksteen, beton en dergelijk materiaal.
- Boren (zonder hamerfunctie): voor boren in diverse materialen.

Draai de keuzeschakelaar boren (2) en de keuzehendel hameren (3) naar de gewenste positie.

**Tips voor de gebruiker**

- Gebruik bij grote gaten in bijvoorbeeld zeer hard beton eerst een kleinere boort om voor te boren, vervolgens boort u op de gewenste grootte.
- Houd de machine stevig vast met twee handen. Let op: de boor kan vastlopen, waardoor de boormachine plotseling kan gaan draaien (vooral bij het boren van diepe gaten).
- Oefen niet te veel druk uit op de machine; laat de machine het werk doen.

**5. ONDERHOUD**

*Zorg dat de machine niet onder spanning staat wanneer onderhoudswerkzaamheden aan het mechaniek worden uitgevoerd.*

Reinig de machinebehuizing regelmatig met een zachte doek, bij voorkeur iedere keer na gebruik. Zorg dat de ventilatiesleuven vrij van stof en vuil zijn. Gebruik bij hardnekkig vuil een zachte doek bevochtigd met zeepwater. Gebruik geen oplosmiddelen als benzine, alcohol, ammonia, etc. Dergelijke stoffen beschadigen de kunststof onderdelen.

**MILIEU**

*Defecte en/of afgedankte elektrische of elektronische gereedschappen dienen ter verwerking te worden aangeboden aan een daarvoor verantwoordelijke instantie.*

**Uitsluitend voor EG-landen**

Werp elektrisch gereedschap niet weg bij het huisvuil. Conform de Europese Richtlijn 2012/19/EG voor Afgedankte Elektrische en Elektronische Apparatuur en de implementatie ervan in nationaal recht moet niet langer te gebruiken elektrisch gereedschap gescheiden worden verzameld en op een milieuvriendelijke wijze worden verwerkt.

**GARANTIE**

VONROC producten zijn ontworpen volgens de hoogste kwaliteitsstandaarden en gegarandeerd vrij van defecten, zowel materieel als fabrieksfouten, tijdens de wettelijk vastgestelde garantieperiode vanaf de eerste aankoopdatum. Mocht het product tijdens deze periode gebreken vertonen veroorzaakt door defecte materialen en/of fabrieksfouten, neem dan rechtstreeks contact op met VONROC.

De volgende situaties vallen niet onder de garantie:

- Er zijn reparaties of aanpassingen aan de machine uitgevoerd, of er is een poging daartoe ondernomen, door een niet-geautoriseerd servicecentrum.
- Normale slijtage.
- De machine is misbruikt, verkeerd gebruikt of slecht onderhouden.
- Er zijn niet-originele reserveonderdelen gebruikt.

Dit vormt de enige garantie opgesteld door het bedrijf zowel expliciet als impliciet. Er bestaan geen andere garanties expliciet of impliciet welke verder gaan dan deze garantie, inclusief impliciete garanties van verkoopbaarheid en geschiktheid voor bepaalde doeleinden. In geen enkel geval kan VONROC aansprakelijk worden gesteld voor incidentele schade of gevolgschade. Reparaties van dealers zijn gelimiteerd tot de reparatie of vervanging van defecte producten of onderdelen.

**Het product en de gebruikershandleiding zijn onderhevig aan wijzigingen. Specificaties kunnen zonder opgave van redenen worden gewijzigd.**

## 1. CONSIGNES DE SÉCURITÉ

En plus des avertissements de sécurité suivants, veuillez également lire les avertissements de sécurité additionnels ainsi que les instructions. Le non-respect des avertissements de sécurité et des instructions peut entraîner une décharge électrique, un incendie et/ou des blessures graves. Veuillez conserver les avertissements de sécurité et les instructions pour consultation ultérieure.

Les symboles suivants sont utilisés dans le manuel d'utilisation ou apposés sur le produit:



*Lisez le manuel d'utilisation.*



*Indique un risque de blessure, de décès ou de détérioration de l'outil en cas de non-respect des consignes de ce manuel.*



*Risque de projection d'objets. Maintenez les passants à l'écart de la zone de travail.*



*Risque de décharge électrique.*



*Débranchez immédiatement la fiche de la prise secteur si le câble secteur est endommagé ainsi que durant le nettoyage et la maintenance.*



*Variateur électronique de vitesse.*



*Portez des lunettes de protection.  
Portez une protection auditive.*



*Portez un masque anti-poussière.*



*Portez des gants de sécurité.*



*Machine de classe II - Double isolation -  
Vous n'avez pas besoin de prise avec mise à la terre.*



*Ne jetez pas le produit dans des conteneurs qui ne sont pas prévus à cet effet.*



*Le produit est conforme aux normes de sécurité des directives européennes en vigueur.*

## CONSIGNES GÉNÉRALES DE SÉCURITÉ



**AVERTISSEMENT!** *Veillez lire l'intégralité des avertissements de sécurité et des instructions. Le nonrespect de toutes les instructions indiquées cidessous peut entraîner un risque de choc électrique, d'incendie et/ou de blessures graves.*

### Conservez ces instructions.

Le terme "appareil électrique" mentionné dans tous les avertissements cidessous se rapporte à un appareil électrique qui se branche au réseau électrique (grâce à un câble d'alimentation) ou à un appareil électrique (sans fil) fonctionnant grâce à une batterie.

### 1) Espace de travail

- a) **Veillez toujours à garder votre espace de travail propre et bien éclairé.** Les espaces mal rangés et sombres peuvent être la cause d'accidents.
- b) **N'utilisez pas les appareils électriques dans des environnements susceptibles d'explosion, par exemple en présence de liquides inflammables, de gaz ou de particules.** Les appareils électriques provoquent des étincelles qui peuvent enflammer les particules des émanations.
- c) **Veillez à garder éloignés les enfants et les personnes se trouvant dans votre voisinage, lors de l'utilisation d'un appareil électrique.** Les distractions peuvent vous faire perdre le contrôle de l'appareil.

### 2) Mesures de sécurité électriques

- a) **Les prises des appareils électriques doivent être raccordées à la prise murale correspondante. Ne modifiez jamais la prise de l'appareil, de quelque façon que ce soit. N'utilisez pas d'adaptateurs qui mettent les appareils électriques à la terre (mise à la masse).** Des prises non modifiées et branchées à la prise murale correspondante réduiront les risques de choc électrique.
- b) **Évitez le contact direct avec les surfaces mises à la terre ou mises à la masse comme les canalisations, les radiateurs, les cuisinières et les réfrigérateurs.** En effet, le risque de choc électrique s'accrut si votre corps est mis à la terre ou à la masse.
- c) **N'utilisez pas d'outils électriques dans des environnements pluvieux ou humides.** Si de l'eau s'introduit dans un appareil électrique, le risque de choc électrique augmentera.

- d) **N'utilisez pas le câble de manière abusive. N'utilisez jamais le câble pour transporter, tirer ou débrancher l'appareil électrique. Veillez à garder le câble éloigné des sources de chaleur, des huiles, des rebords coupants ou des pièces actionnées.** Les câbles endommagés ou entremêlés augmentent le risque de choc électrique.
- e) **Lorsque un appareil est utilisé à l'extérieur, utilisez uniquement un câble prolongateur prévu à cet effet.** L'utilisation d'un câble à usage extérieur réduit le risque de choc électrique.
- f) **Si vous êtes contraint d'utiliser un outil électrique dans un environnement humide, utilisez une alimentation protégée par un dispositif à courant résiduel (RCD).** L'utilisation d'un RCD réduit le risque de décharge électrique.

### 3) Sécurité personnelle

- a) **Restez vigilant, gardez un œil sur ce que vous faites et utilisez votre sens commun lors de l'utilisation d'un appareil électrique. N'utilisez pas un appareil électrique si vous êtes fatigué ou si vous êtes sous l'influence de drogues, d'alcool ou si vous prenez des médicaments.** Un moment d'inattention lors de l'utilisation des appareils électriques peut entraîner des blessures graves.
- b) **Utilisez un équipement de protection personnelle. Protégez-vous toujours les yeux.** Les équipements de protection, tels qu'un masque à poussière, des chaussures antidérapantes, des protections auditives ou un casque de sécurité, utilisés dans de bonnes conditions, réduiront le risque de blessures.
- c) **Prévenez tout démarrage involontaire. Assurez-vous que l'interrupteur est sur la position "arrêt avant de brancher l'appareil.** En effet, le transport des appareils électriques en gardant vos doigts sur l'interrupteur, ou le branchement de ces appareils en ayant l'interrupteur sur "marche accidents.
- d) **Retirez les clés de réglage ou les clés de vis de réglage avant d'allumer l'appareil électrique.** Une clé de vis de réglage ou une clé, laissée sur une pièce en mouvement de l'appareil électrique, peut entraîner des lésions corporelles.
- e) **Ne pas se précipiter. Gardez toujours vos pieds à plat et gardez votre équilibre.** Ceci permet de mieux contrôler l'appareil électrique dans des situations imprévues.
- f) **Habilitez-vous convenablement. Ne portez pas**

**de vêtements lâches ou de bijoux. Gardez vos cheveux, vêtements et gants éloignés des pièces actionnées.** En effet, ces derniers peuvent être pris dans les pièces en action.

- g) **Si les appareils sont fournis pour la connexion des équipements d'évacuation et de récupération de la poussière, assurez-vous que ces derniers soient correctement connectés et utilisés.** L'utilisation de ces appareils peut réduire les risques liés à la poussière.
- h) **Ne pensez pas être familiarisé avec l'outil après l'avoir utilisé à de nombreuses reprises, au point de ne plus rester vigilant et d'en oublier les consignes de sécurité.** Toute action imprudente peut engendrer de graves blessures en une fraction de seconde.
- 4) Utilisation et entretien d'un appareil électrique**
- a) **Ne forcez pas l'appareil électrique. Utilisez l'appareil électrique adéquat pour votre application.** Un appareil électrique correctement choisi assurera un meilleur travail et un travail sans danger, au rythme auquel il a été conçu.
- b) **N'utilisez pas l'appareil électrique si l'interrupteur marche/arrêt ne fonctionne pas.** Un appareil électrique qui ne peut pas être commandé par l'interrupteur de contrôle est dangereux et doit être réparé.
- c) **Débranchez la prise du bloc d'alimentation avant d'effectuer des réglages, de changer des accessoires, ou de ranger les appareils électriques.** Ces mesures de sécurité préventives réduiront le risque de démarrage involontaire de l'appareil électrique.
- d) **Rangez les appareils électriques arrêtés hors de la portée des enfants et ne laissez aucune personne, non familiarisée avec l'outil ou ces instructions, utiliser l'appareil électrique.** Les appareils électriques sont dangereux entre les mains d'utilisateurs non formés.
- e) **Entretenez les appareils électriques. Vérifiez tout défaut d'alignement et l'enchaînement des pièces actionnées, la rupture de ces dernières, et les autres conditions qui peuvent affecter le fonctionnement des appareils électriques. En cas de dommages, faites réparer l'appareil électrique avant de le réutiliser.** Nombreux sont les accidents provoqués par des appareils électriques mal entretenus.
- f) **Veillez à garder les outils coupants aiguisés et propres.** Des outils coupants correctement

entretenus avec des lames aiguisées sont moins susceptibles de se bloquer et sont plus faciles à contrôler.

- g) **Utilisez l'appareil électrique, les accessoires et les embouts, etc., conformément à ces instructions et de la manière prévue pour le type spécifique de l'appareil électrique, en prenant en compte les conditions de travail et le travail à effectuer.** L'utilisation de l'appareil électrique dans des applications différentes de celles prévues peut entraîner des situations dangereuses.
- h) **Gardez les poignées et les surfaces de préhension sèches, propres et exemptes d'huile et de graisse.** Des poignées et des surfaces de préhension glissantes ne permettent pas de manipuler et de contrôler l'outil correctement en cas de situations inattendues.
- h) **Gardez les poignées et les surfaces de préhension sèches, propres et exemptes d'huile et de graisse.** Des poignées et des surfaces de préhension glissantes ne permettent pas de manipuler et de contrôler l'outil correctement en cas de situations inattendues.
- 5) Utiliser et soigner les outils à batterie**
- a) **Rechargez la batterie uniquement avec le chargeur spécifié par le fabricant.** Un chargeur adapté à une certaine batterie peut être cause de danger d'incendie quand on l'utilise avec une batterie différente.
- b) **Utilisez chaque outil uniquement avec la batterie conçue pour lui.** L'utilisation de toute autre batterie peut être cause de danger de blessure ou d'incendie.
- c) **Lorsque une batterie n'est pas en usage, gardez-la hors d'atteinte d'objets métalliques tels que les trombones, pièces de monnaie, clés, clous, vis et autres petits objets métalliques pouvant faire le contact entre une borne et l'autre.** Un court-circuit entre les bornes de la batterie peut être cause de brûlures ou d'incendie.
- d) **Dans des circonstances extrêmes, du liquide peut gicler hors de la batterie ; évitez tout contact. En cas de contact accidentel, rincez à l'eau. En cas de contact du liquide avec les yeux, consultez un médecin.** Le liquide qui gicle d'une batterie peut causer irritations ou brûlures.
- e) **N'utilisez pas un bloc-batterie ou un outil endommagé ou modifié.** Une batterie endommagée ou altérée peut avoir un comportement



imprévisible qui peut conduire à un incendie, une explosion ou un risque de blessure.

- f) **N'exposez pas le bloc-batterie ou l'outil au feu ou à des températures excessives.** L'exposition au feu ou à des températures dépassant 130 °C peut provoquer une explosion. REMARQUE La température de "130°C" peut être remplacé par la température de "265°F".
- g) **Respectez les instructions pour la charge et ne rechargez pas le bloc-batterie ou l'outil à une plage de températures hors de celle spécifiée dans les instructions.** Une charge mal effectuée ou à des températures hors de la plage spécifiée peut endommager la batterie et augmente le risque d'incendie.
- 6) **Maintenance**
- a) **L'entretien de votre outil électrique doit être confié à un réparateur qualifié qui utilise uniquement des pièces de rechange identiques aux pièces d'origine.** Cela permet d'assurer la sécurité de l'outil électrique.
- b) **Ne réparez jamais des blocs-batteries endommagés.** Les réparations sur les blocs-batteries ne doivent être effectuées que par le fabricant ou l'un de ses prestataires de services agréés.

### AVERTISSEMENTS DE SÉCURITÉ ADDITIONNELS POUR MARTEAUX PERFORATEURS

- a) **Portez des protections auditives.** L'exposition au bruit peut entraîner une perte auditive.
- b) **Utilisez les poignées auxiliaires si elles sont fournies avec l'outil.** Toute perte de contrôle de l'appareil entraîne un risque de blessures.
- c) **Tenez l'outil électrique par les surfaces de préhension isolées lorsque vous effectuez une opération au cours de laquelle l'accessoire de coupe peut entrer en contact avec des câbles non apparents ou le cordon d'alimentation de l'outil.** Tout contact de l'accessoire de coupe avec un fil "sous tension" peut conduire l'électricité aux pièces métalliques exposées de l'outil et exposer l'utilisateur à une décharge électrique.

#### Sécurité électrique



Vérifiez si la tension d'alimentation électrique correspond bien à celle de la plaque signalétique.

- N'utilisez pas la machine si le câble secteur ou la fiche secteur est endommagé.
- Utilisez uniquement des rallonges adaptées à la puissance nominale de la machine et d'une section minimum de 1.5 mm<sup>2</sup>. Si vous utilisez une bobine de rallonge, déroulez toujours complètement le câble.

## 2. INFORMATIONS RELATIVES A LA MACHINE

### Utilisation prévue

Ce marteau perforateur a été conçu pour le perçage d'impact de trous dans les ouvrages de maçonnerie en briques, béton et matériaux similaires.

Cet appareil est aussi pratique pour le perçage dans le bois, le métal, la céramique, et le plastique. La machine peut également être utilisée comme marteau de démolition en combinaison avec les burins à froid SDS fournis. La machine n'est en aucun cas prévue pour d'autres utilisations.



*Non appropriée pour une utilisation sur les chantiers de construction.*

### SPECIFICATIONS TECHNIQUES

N° de modèle	RH504AC
Tension de secteur	230 V ~
Fréquence de secteur	50Hz
Puissance d'entrée	1500W
Vitesse à vide	0-860 /min
Vitesse d'impact	0-4250 /min
Diamètre max. du foret	
- Béton	Ø 32 mm
- Acier	Ø 13 mm
- Bois	Ø 42 mm
Poids	5,2 kg
Pression acoustique (LPA)	92,7dB(A) K=3 dB(A)
Intensité acoustique (LWA)	103,7dB(A) K=3 dB(A)
<b>Vibration</b>	
Forage du béton au marteau $a_{h,HD}$	17,360m/s <sup>2</sup> K=1,5m/s <sup>2</sup>
Burinage $a_{h,Cheq}$	13,334m/s <sup>2</sup> K=1,5m/s <sup>2</sup>



### Niveau de vibrations

Le niveau des vibrations émises, indiqué dans ce manuel, a été mesuré conformément à la procédure décrite par la norme EN60745. Il peut être utilisé pour comparer deux outils ou pour réaliser une estimation préalable de l'exposition aux vibrations lors de l'utilisation de l'outil pour les applications mentionnées.

- L'utilisation de l'outil dans d'autres applications ou avec des accessoires différents ou mal entretenus peut considérablement augmenter le niveau d'exposition.
- La mise hors tension de l'outil et sa non-utilisation pendant qu'il est allumé peuvent considérablement réduire le niveau d'exposition.

Protégez-vous contre les effets des vibrations par un entretien correct de l'outil et de ses accessoires, en vous échauffant les mains et en organisant vos rythmes de travail.

### DESCRIPTION

Les numéros dans le texte se rapportent aux schémas des pages 2-3.

1. Interrupteur marche/arrêt
2. Sélecteur de perçage
3. Levier de sélection de percussion
4. Mandrin
5. Bague de blocage
6. Poignée principale
7. Poignée auxiliaire
8. Collecteur de poussière
9. Point de lubrification
10. Volant de réglage pour la commande de vitesse électronique

## 3. MONTAGE



*Si vous voulez procéder à des travaux d'entretien sur le mécanisme, mettez la machine hors secteur.*

### Montage et retrait de l'accessoire (Fig. B)



*Attention: les forets et les burins peuvent chauffer considérablement.*



*N'utilisez pas de forêt ou de burin émoussé. Affûtez ou remplacez immédiatement un forêt ou un burin émoussé.*

### Montage

1. Appliquez quelques gouttes d'huile sur l'arbre de l'accessoire.
2. Glissez la bague de blocage (5) en arrière.
3. Insérez l'accessoire dans le mandrin (4).
4. Serrez l'accessoire en le faisant tourner dans le sens antihoraire jusqu'au clic.
5. Relâchez la bague de blocage (5).

### Retrait

1. Glissez la bague de blocage (5) en arrière.
2. Retirez l'accessoire du mandrin (4).
3. Relâchez la bague de blocage (5).

### Montage et retrait de poignée auxiliaire (Fig. A)

#### Montage

1. Desserrez la poignée auxiliaire (7) en la faisant tourner dans le sens antihoraire.
2. Montez la poignée auxiliaire (7) en la glissant par dessus le mandrin (4).
3. Tournez la poignée auxiliaire (7) sur la position désirée.
4. Serrez la poignée auxiliaire (7) en la faisant tourner dans le sens horaire.

#### Retrait

1. Desserrez la poignée auxiliaire (7) en la faisant tourner dans le sens antihoraire.
2. Retirez la poignée auxiliaire (7).
3. Serrez la poignée auxiliaire (7) en la faisant tourner dans le sens horaire.

### Montage et retrait du collecteur de poussière (Fig. D)

Le collecteur de poussière (8) empêche la poussière de s'infiltrer dans la machine en perçant dans les plafonds.



*Remplacez immédiatement un collecteur de poussière (8) endommagé.*

#### Montage

1. Si nécessaire, retirez l'accessoire du mandrin (4).
2. Glissez le collecteur de poussière (8) par dessus l'arbre de l'accessoire.
3. Insérez l'accessoire avec le collecteur de poussière (8) dans le mandrin (4).

**Retrait**

1. Retirez l'accessoire avec le collecteur de poussière (8) du mandrin (4).
2. Retirez le collecteur de poussière (8) de l'accessoire.

**4. FONCTIONNEMENT**

*Le marteau perforateur n'a besoin que d'une pression minimale de la part de l'utilisateur. Une pression trop grande sur l'outil peut entraîner une surchauffe du moteur et l'outil entraîne peut brûler. Il arrive également que le foret se déforme et ne puisse plus être retiré de la machine.*

**Mise en marche et arrêt (Fig. A)**

- Pour mettre la machine en marche, appuyez sur l'interrupteur marche/arrêt (1).
- Pour arrêter la machine, relâchez l'interrupteur marche/arrêt (1).

**Présélection de la vitesse (10)**

La vitesse requise peut être présélectionnée avec la molette. Pendant le fonctionnement, la vitesse de rotation peut également être ajustée.

- 1 - 2 = vitesse basse
- 3 - 4 = vitesse moyenne
- 5 - 6 = vitesse élevée
- Max = vitesse maximum

La vitesse requise dépend du matériau et peut être déterminée par l'essai pratique.

**Réglage de la température de fonctionnement (Fig. A & E)**

Le sélecteur de perçage (2) et le levier de sélection de percussion (3) doivent être réglés selon le mode de fonctionnement requis. Voir la table suivante et la figure Epour régler le mode de fonctionnement requis.

**Réglage mode de fonctionnement (Fig. E)**

- A) Burinage "Mode Burin": Pour buriner et pour les petits travaux de démolition.
- B) Perçage à percussion (Mode Marteau): Pour percer les matériaux de maçonnerie comme la brique, le béton ou tout autre matériau similaire.
- C) Perçage (hors mode Marteau): Pour percer divers matériaux.

Tournez le sélecteur de percussion (2) et le levier de sélection de percussion (3) sur la position requise.

**Conseils**

- Pour percer de grands trous, par exemple dans du béton très dur, démarrez en utilisant un petit foret pour le perçage pilote, puis percez à taille nominale.
- Tenez la machine fermement à deux mains. Gardez à l'esprit que le foret peut bloquer et que cela peut provoquer le retournement brusque de la machine (surtout lors du perçage de trous profonds).
- N'appliquez pas une trop grande pression sur la machine, laissez-la faire le travail.

**5. ENTRETIEN**

*Si vous voulez procéder à des travaux d'entretien sur le mécanisme, mettez la machine hors secteur.*

Nettoyez le corps de la machine régulièrement au moyen d'un chiffon doux, de préférence après chaque utilisation. Vérifiez que les ouvertures d'aération ne sont pas obstruées ni sales. Utilisez un chiffon doux légèrement humidifié avec de la mousse de savon pour nettoyer les taches persistantes. N'utilisez pas de produits de nettoyage tels que l'essence, l'alcool, l'ammoniac, etc.; ces produits peuvent endommager les parties synthétiques.

**ENVIRONNEMENT**

*Les équipements électroniques ou électriques défectueux ou destinés à être mis au rebut doivent être déposés aux points de recyclage appropriés.*

**Uniquement pour les pays de l'UE**

Ne jetez pas les outils électriques avec les déchets domestiques. Selon la Directive européenne 2012/19/CE relative aux déchets d'équipements électriques et électroniques et sa mise en œuvre dans le droit national, les outils électriques hors d'usage doivent être collectés séparément et mis au rebut de manière écologique.

## GARANTIE

Les produits VONROC sont développés aux plus hauts standards de qualité et ils sont garantis contre les défauts de pièces et de main d'oeuvre pendant la durée légale stipulée à partir de la date d'achat d'origine du produit. En cas d'une quelconque panne du produit pendant cette durée qui serait due à un défaut matériel et/ou de main d'oeuvre, contactez directement VONROC.

Les circonstances suivantes ne sont pas prises en charge par la garantie:

- Des réparations ou altérations ont été effectuées ou tentées sur la machine par un centre de réparation non agréé.
- L'usure normale.
- L'outil a été maltraité, mal utilisé ou mal entretenu.
- Des pièces détachées non d'origine ont été utilisées.

Ceci constitue l'unique garantie accordée par la société explicitement ou implicitement. Il n'existe aucune autre garantie, explicite ou implicite, qui peut s'étendre au delà du contenu ici présent, y compris les garanties marchandes ou d'adaptation à des fins particulières. En aucun cas VONROC ne sera tenu responsable de dommages accidentels ou consécutifs. Les solutions proposées par les revendeurs devront se limiter à la réparation ou le remplacement des éléments ou pièces non conformes.

**Le produit et le manuel d'utilisation sont sujets à modifications. Les spécifications peuvent changer sans préavis.**

## 1. INSTRUCCIONES DE SEGURIDAD

Lea las advertencias de seguridad, las advertencias de seguridad adicionales y las instrucciones adjuntas. De no respetarse las advertencias de seguridad y las instrucciones, podrían producirse descargas eléctricas, incendios y/o lesiones graves. Conserve las advertencias de seguridad y las instrucciones para su posterior consulta.

Los siguientes símbolos se utilizan en el manual de usuario o en el producto:



*Lea el manual de usuario.*



*Denota riesgo de lesiones personales, pérdida de vida o daños a la herramienta en caso de incumplimiento de las instrucciones del presente manual.*



*Mantenga a los presentes a una distancia prudencial de la zona de trabajo.*



*Riesgo de descarga eléctrica.*



*Saque inmediatamente el enchufe de la toma si el cable eléctrico resulta dañado y durante la limpieza y el mantenimiento.*



*Velocidad electrónica variable.*



*Lleve gafas de seguridad.  
Lleve protección auditiva.*



*Lleve una máscara antipolvo.*



*Use guantes de seguridad.*



*Máquina de clase II - Doble aislamiento - No necesita enchufe con puesta a tierra.*



*No tire el producto en contenedores no apropiados.*



*El producto es conforme a las normas de seguridad aplicables según las directivas europeas.*

## INSTRUCCIONES GENERALES DE SEGURIDAD



**PRECAUCIÓN! Lea todas las advertencias de seguridad y todas las instrucciones.**

*Si no lo hace, el uso indebido puede acarrear cortocircuitos, fuego o lesiones graves.*

### Conserve estas instrucciones.

El término "herramienta eléctrica", en todas las advertencias enumeradas a continuación se refiere a su herramienta eléctrica (i nalámbrica) que funciona con una batería o a través de la red eléctrica.

#### 1) Área de trabajo

- a) **Trabaje en un lugar limpio y bien iluminado.** Lugares no iluminados o sucios propician accidentes.
- b) **No use herramientas eléctricas donde haya riesgo de fuego o explosión, p.ej: cerca de líquidos o gases inflamables, polvo etc.** Las herramientas eléctricas producen chispas que pueden producir la ignición de partículas de humo.
- c) **Mantenga a los niños y otras personas alejados mientras utiliza la herramienta eléctrica.** Las distracciones pueden hacer que pierda el control de la herramienta.

#### 2) Seguridad eléctrica

- a) **Cerciórese de que las clavijas de la herramienta eléctrica están correctamente enchufadas. Nunca modifique la clavija. No utilice ningún adaptador para la clavija de una herramienta eléctrica con conexión a tierra.** Las clavijas que no se hayan cambiado y los enchufes adecuados reducen el riesgo de cortocircuitos.
- b) **Evite el contacto humano con superficies con conexiones a tierra como tubos metálicos, conductos, tubos de la calefacción, radiadores y refrigeradores.** El riesgo de cortocircuitos es mayor cuando el cuerpo está en contacto con el suelo.
- c) **No use herramientas eléctricas bajo la lluvia o en entornos húmedos.** Si entra agua en una herramienta eléctrica aumenta el riesgo de cortocircuito.
- d) **No utilice el cable para todo. Nunca utilice el cable para mover la máquina, empujarla o sacar la clavija del enchufe. Mantenga el cable alejado del calor, aceite, zonas cortantes o piezas en movimiento.** Los cables dañados o enredados aumentan el riesgo de cortocircuito.
- e) **Use un cable alargador impermeable adecuado para exteriores cuando trabaje con la herra-**

**mienta eléctrica al aire libre.** El riesgo de cortocircuito es menor si utiliza un cable alargador adecuado para exteriores.

- f) **Si no se puede evitar el uso de la herramienta eléctrica en un lugar húmedo, use suministro protegido mediante dispositivo diferencial residual (DDR).** El uso de un DDR reduce el riesgo de choque eléctrico.
  - h) **No permita que la familiaridad adquirida con el uso frecuente de las herramientas le haga confiarse e ignorar los principios de seguridad de las herramientas.** Una acción descuidada puede causar lesiones graves en una fracción de segundo.
- #### 3) Seguridad personal
- a) **No se descuide, preste atención a lo que está haciendo y utilice el sentido común mientras trabaje con esta herramienta. No use herramientas eléctricas cuando esté cansado o esté bajo los efectos del alcohol, las drogas o los medicamentos.** Un momento de distracción, mientras utilice la herramienta eléctrica, puede provocar lesiones personales graves.
  - b) **Use equipo de protección individual. Use siempre gafas protectoras.** El uso en condiciones apropiadas del equipo de seguridad como por ejemplo: mascarilla antipolvo, zapatos antideslizantes de seguridad, casco o protección para los oídos, disminuye el riesgo de sufrir lesiones personales.
  - c) **Evite arranques involuntarios. Asegúrese de que el interruptor está en la posición de apagado antes de conectarlo a la fuente de electricidad.** Transportar herramientas eléctricas con el dedo puesto sobre el interruptor o enchufarlas con el interruptor encendido puede causar accidentes.
  - d) **Quite cualquier llave de ajuste antes de encender la herramienta eléctrica.** Una llave olvidada junto a una pieza móvil de la herramienta eléctrica puede provocar lesiones personales graves.
  - e) **No se estire demasiado. Mantenga siempre el equilibrio y tenga los pies en el suelo.** Esto permite un mayor control de la herramienta eléctrica en situaciones inesperadas.
  - f) **Vístase apropiadamente. No lleve prendas holgadas o joyas. Mantenga su pelo, ropa y guantes alejados de las piezas móviles.** Las prendas holgadas, las joyas y el pelo largo pueden quedar atrapados en las piezas móviles.
  - g) **Si se han suministrado dispositivos para la extracción y recogida de polvo asegúrese de**

- que estos estén conectados y se utilicen correctamente.** El uso de estos dispositivos puede reducir los riesgos relacionados con el polvo.
- h) **Mantenga las asas y las superficies de agarre secas, limpias y libres de aceite y grasa.** Las asas y las superficies de agarre resbaladizas no permiten un manejo y control seguros de la herramienta en situaciones inesperadas.
- 4) **Utilización y cuidados de la herramienta eléctrica**
- a) **No fuerce la herramienta eléctrica. Utilice la herramienta eléctrica adecuada para el trabajo que vaya a realizar.** Una herramienta eléctrica apropiada realizará un trabajo mejor y más seguro si se utiliza para el objetivo con el que ha sido diseñada.
- b) **No use herramientas que no pueden encenderse o apagarse con el interruptor.** Las herramientas que ya no se puedan encender y apagar son peligrosas y deben repararse.
- c) **Desenchufe la clavija de la toma de electricidad antes de realizar modificaciones, cambiar accesorios o guardar las herramientas eléctricas.** Tales medidas de seguridad preventivas reducen el riesgo de la puesta en marcha accidental.
- d) **Mantenga a los niños alejados de una herramienta eléctrica sin utilizar y no permita a personas que no estén familiarizadas con la máquina o estas instrucciones utilizar la herramienta.** La herramienta eléctrica puede ser peligrosa cuando la utilicen personas sin experiencia.
- e) **Conserve sus herramientas cuidadosamente. Verifique cualquier desalineación o agarrotamiento de piezas móviles, piezas dañadas y cualquier otra causa, que pudiera repercutir en el buen funcionamiento de la herramienta eléctrica. Si la herramienta está estropeada, repárela antes de utilizarla.** Muchos de los accidentes están causados por un mantenimiento insuficiente del equipo eléctrico.
- f) **Mantenga las herramientas de corte limpias y afiladas.** Sierras con esquinas cortantes con un buen mantenimiento se bloquean menos y son más fáciles de controlar.
- g) **Utilice la herramienta eléctrica, accesorios y brocas etc. Siguiendo las instrucciones atendiendo al tipo de herramienta eléctrica y tenga en cuenta las condiciones de trabajo y el tipo de trabajo que se va a realizar.** Puede ser peligroso realizar trabajos con la herramienta diferentes de aquellos para los que está diseñada.
- 5) **Uso y cuidado de las herramientas alimentadas por batería**
- a) **Recargue las baterías únicamente con el cargador recomendado por el fabricante.** Un cargador que es apto para un tipo de baterías determinado puede provocar riesgo de incendio si se usa para cargar otra clase de baterías.
- b) **Use las herramientas eléctricas sólo con las baterías indicadas específicamente.** El uso de otra clase de baterías diferente puede ocasionar el riesgo de derivar en lesiones o un incendio.
- c) **Cuando el paquete de baterías no esté en uso, consérvelo retirado de objetos metálicos como sujetapapeles, monedas, llaves, clavos, tornillos o cualquier otro objeto metálico pequeño que pueda hacer puente entre las terminales.** El contacto entre las terminales de la batería puede causar quemaduras o incendio.
- d) **Bajo condiciones extremas de abuso la batería podría expulsar un líquido; evite todo contacto. Si se produjese contacto accidentalmente, lávese bien con agua. Si el líquido hace contacto con los ojos, consulte también al médico.** El líquido emanado de la batería puede causar irritaciones o quemaduras.
- e) **No utilice una batería o una herramienta que esté dañada o modificada.** Las baterías dañadas o modificadas pueden presentar un comportamiento impredecible y provocar un incendio, una explosión o riesgo de lesiones.
- f) **No exponga una batería o una herramienta al fuego o a temperatura excesiva.** La exposición al fuego o a temperaturas superiores a 130 °C puede provocar una explosión. NOTA La temperatura "130 °C" puede sustituirse por la temperatura "265 °F".
- g) **Siga todas las instrucciones de carga y no cargue la batería o la herramienta fuera del rango de temperatura especificado en las instrucciones.** La carga incorrecta o a temperaturas fuera del rango especificado puede causar daños a la batería y aumentar el riesgo de incendio.
- 6) **Servicio**
- a) **Haga reparar su herramienta eléctrica por una persona cualificada, usando solo piezas de repuesto idénticas.** Esto garantiza que se mantenga la seguridad de la herramienta eléctrica.
- b) **Nunca repare las baterías dañadas.** El mantenimiento de las baterías debe ser realizado solo

por el fabricante o los proveedores de servicio autorizados.

### ADVERTENCIAS DE SEGURIDAD ADICIONALES PARA TALADROS ROTATORIOS

- Use protectores auditivos.** La exposición al ruido puede causar pérdida auditiva.
- Use la o las empuñaduras auxiliares, si han sido suministradas con la herramienta.** La pérdida de control puede causar lesiones.
- Aferre la herramienta por las superficies de agarre aisladas cuando realice operaciones en que el accesorio de corte pueda entrar en contacto con cables ocultos o con su propio cable.** Si el accesorio de corte entra en contacto con un cable con tensión, puede exponer las partes metálicas de la herramienta a tensión y ocasionar una descarga eléctrica al operador.

#### Seguridad eléctrica



*Compruebe siempre que la tensión del suministro eléctrico corresponda con la tensión de la placa de características.*

- No utilice la máquina si el cable o el enchufe eléctrico han sufrido daños.
- Utilice únicamente cables alargadores que sean adecuados para la potencia nominal de la máquina con un grosor mínimo de 1.5 mm<sup>2</sup>. Si utiliza un cable alargador en rollo, desenrolle totalmente el cable.

## 2. INFORMACION DE LA MAQUINA

#### Uso previsto

Este taladro rotatorio ha sido fabricado para taladro de impacto agujeros en mampostería, por ejemplo, en ladrillos, hormigón y materiales similares. La herramienta es adecuada para taladrar madera, metales, cerámica y plástico. Además, la máquina puede usarse como martillo demoledor con los cortafíos SDS suministrados. La máquina no ha sido diseñada bajo ningún concepto para otros fines.



*No es apta para uso en obras de construcción.*

### ESPECIFICACIONES TECNICAS

Modelo n.º	RH504AC
Tensión de alimentación de red	230 V ~
Frecuencia de alimentación de red	50Hz
Potencia de entrada	1500W
Velocidad en vacío	0-860 /min
Frecuencia de impacto	0-4250 /min
Diámetro máx. taladrado	
- Hormigón	Ø 32 mm
- Acero	Ø 13 mm
- Madera	Ø 42 mm
Peso	5,2 kg
Presión acústica (LPA)	92,7dB(A) K=3 dB(A)
Potencia acústica (LWA)	103,7dB(A) K=3 dB(A)
<b>Vibración</b>	
Taladrado de percusión en hormigón $a_{h,HD}$	17,360m/s <sup>2</sup> K=1,5m/s <sup>2</sup>
Cinzelado $a_{h,Cheq}$	13,334m/s <sup>2</sup> K=1,5m/s <sup>2</sup>

#### Nivel de vibración

El nivel de emisión de vibraciones indicado en este manual de instrucciones ha sido medido según una prueba estándar proporcionada en EN60745 puede utilizarse para comparar una herramienta con otra y como valoración preliminar de la exposición a las vibraciones al utilizar la herramienta con las aplicaciones mencionadas.

- al utilizarla para distintas aplicaciones o con accesorios diferentes o con un mantenimiento deficiente, podría aumentar de forma notable el nivel de exposición.
- en las ocasiones en que se apaga la herramienta o cuando está funcionando pero no está realizando ningún trabajo, se podría reducir el nivel de exposición de forma importante.

Protéjase contra los efectos de la vibración realizando el mantenimiento de la herramienta y sus accesorios, manteniendo sus manos calientes y organizando sus patrones de trabajo.

## DESCRIPCIÓN

Los números del texto se refieren a los diagramas de las páginas 2-3.

1. Interruptor de encendido/apagado
2. Interruptor de selección de taladro
3. Palanca de selección de martillo
4. Portaherramientas
5. Manguito de bloqueo
6. Empuñadura principal
7. Empuñadura auxiliar
8. Colector de polvo
9. Punto de lubricación
10. Rueda de ajuste para el control de la velocidad electrónica

## 3. MONTAJE



*Antes del montaje, apague siempre la máquina y saque el enchufe de la toma.*

### Montaje y retirada del accesorio (Fig. B)



*Precaución: los taladros y los cortafríos pueden calentarse mucho.*



*No utilice brocas ni cinceles que estén desafilados. Afile o sustituya inmediatamente las brocas o cinceles que estén desafilados. Insertar la batería en la máquina.*

### Montaje

1. Aplique unas gotas de aceite al eje del accesorio.
2. Deslice el manguito de bloqueo (5) hacia la parte posterior.
3. Introduzca el accesorio en el portaherramientas (4).
4. Fije el accesorio girándolo en sentido antihorario hasta que encaje en su posición.
5. Suelte el manguito de bloqueo (5).

### Retirada

1. Deslice el manguito de bloqueo (5) hacia la parte posterior.
2. Retire el accesorio del portaherramientas (4).
3. Suelte el manguito de bloqueo (5).

## Montaje y retirada de la empuñadura auxiliar (Fig. C)

### Montaje

1. Afloje la empuñadura auxiliar (7) girándola en sentido antihorario.
2. Monte la empuñadura auxiliar (7) deslizándola sobre el portaherramientas (4).
3. Sitúe la empuñadura auxiliar (7) en la posición deseada.
4. Apriete la empuñadura auxiliar (7) girándola en sentido horario.

### Retirada

1. Afloje la empuñadura auxiliar (7) girándola en sentido antihorario.
2. Retire la empuñadura auxiliar (7).
3. Apriete la empuñadura auxiliar (7) girándola en sentido horario.

## Montaje y retirada del colector de polvo (Fig. D)

El colector de polvo (8) evita que el polvo entre en la máquina al taladrar en el techo.



*Sustituya inmediatamente el colector de polvo (8) si sufre daños.*

### Montaje

1. En caso necesario, retire el accesorio del portaherramientas (4).
2. Deslice el colector de polvo (8) sobre el eje del accesorio.
3. Introduzca el accesorio con el colector de polvo (18) en el portaherramientas (4).

### Retirada

1. Retire el accesorio con el colector de polvo (8) del portaherramientas (4).
2. Retire colector de polvo (8) del accesorio.

## 4. MANEJO



*Los taladros de percusión requieren muy poca presión por parte del operador. La presión excesiva sobre la herramienta puede ocasionar el recalentamiento innecesario del motor y quemar la herramienta conducida. También puede suceder que la broca se deforme y no se pueda extraer de la máquina.*

**Encendido y apagado (Fig. A)**

- Para encender la máquina, presione el interruptor de encendido/apagado (1).
- Para apagar la máquina, suelte el interruptor de encendido/apagado (1).

**Preselección de velocidades (10)**

La velocidad requerida puede ser preseleccionada con una ruedecilla. Del mismo modo, durante el funcionamiento de la velocidad rotativa, la velocidad puede ajustarse.

1 - 2 = baja velocidad

3 - 4 = velocidad media

5 - 6 = velocidad alta

Max = máxima velocidad

Las velocidades necesarias dependen del material y pueden determinarse mediante una prueba práctica.

**Ajuste del modo de funcionamiento (Fig. A & E)**

El interruptor de selección de taladro (2) y la palanca de selección de martillo (3) deben ajustarse en función del modo de funcionamiento deseado. Consulte la siguiente table y Fig. E para ajustar el modo de funcionamiento deseado.

**Ajuste Modo de funcionamiento (Fig. E)**

- Desconchado (función desconchado): para desconchado y pequeños trabajos de demolición.
- Martillo perforador (con función martillo): para perforar mampostería, por ejemplo, ladrillos, hormigón y materiales similares.
- Taladro (sin función martillo): para perforar diferentes materiales.

Sítue el interruptor de selección de taladro (2) y la palanca de selección de martillo (3) en la posición deseada.

**Consejos para el usuario**

- Para orificios grandes, por ejemplo en hormigón muy duro, empiece usando una pequeña broca para perforación de guía primero, y después perfore a tamaño nominal.
- Sostenga la máquina firmemente con las 2 manos. Tenga cuidado pues el taladro puede atascarse y la máquina puede girarse repentinamente (especialmente cuando perfore orificios profundos).

- No ejercite una fuerza excesiva sobre la máquina, deje que la máquina haga el trabajo.

**5. MANTENIMIENTO**

*Desconecte siempre la máquina de la red eléctrica principal antes de realizar cualquier trabajo de mantenimiento.*

Limpie regularmente la carcasa de la maquina con un pano suave, preferentemente despues de cada uso. Compruebe que los orificios de ventilación esten libres de polvo y suciedad. Elimine el polvo persistente utilizando un pano suave humedecido con agua y jabon. No use disolventes tales como gasolina, alcohol, amoniaco, etc. Tales productos quimicos pueden danar los componentes sinteticos.

**MEDIOAMBIENTE**

*Los aparatos eléctricos o electrónicos defectuosos y/o desechados deben recogerse en lugares de reciclado apropiado.*

**Solo para países de la Comunidad Europea**

No elimine las herramientas eléctricas como residuos domésticos. De acuerdo con la Directiva europea 2012/19/CE sobre residuos de aparatos eléctricos y electrónicos, y su transposición a las legislaciones nacionales, las herramientas eléctricas que ya no se utilizan deben recogerse por separado y eliminarse en modo ecológico.

**CONDICIONES DE GARANTÍA**

Los productos VONROC han sido desarrollados con los más altos estándares de calidad y VONROC garantiza que están exentos de defectos relacionados con los materiales y la fabricación durante el periodo legalmente estipulado, a contar desde la fecha de compra original. En caso de que el producto presente defectos relacionados con los materiales y/o la fabricación durante este periodo, póngase directamente en contacto VONROC.

La presente garantía se excluye en los siguientes casos:

- Si centros de servicios no autorizados han realizado o han intentado realizar reparaciones y/o alteraciones a la máquina.
- Si se ha producido un desgaste normal.



- Si la herramienta ha sido mal tratada o usada en modo impropio, o se ha realizado incorrectamente su mantenimiento.
- Si se han utilizado piezas de repuesto no originales.

La presente constituye la única garantía implícita y explícita que ofrece la compañía. No existen otras garantías explícitas o implícitas que excedan las citadas aquí, incluidas las garantías implícitas de comerciabilidad e idoneidad para una finalidad en especial. VONROC no será considerada responsable en ningún caso por daños incidentales o consecuentes. Los recursos a disposición de los distribuidores se limitan a la reparación o a la sustitución de las unidades o piezas no conformes.

**El producto y el manual de usuario están sujetos a variaciones. Las especificaciones pueden variarse sin previo aviso.**

## 1. ISTRUZIONI DI SICUREZZA

Leggere accuratamente gli avvisi di sicurezza, gli avvisi di sicurezza aggiuntivi e le istruzioni. La mancata osservanza degli avvisi di sicurezza e delle istruzioni potrebbe causare scosse elettriche, incendio e/o gravi lesioni. Mantenere gli avvisi di sicurezza e le istruzioni a portata di mano per future consultazioni.

I seguenti simboli sono utilizzati nel presente manuale utente o sul prodotto:



*Leggere il manuale per l'utente.*



*Denota il rischio di lesioni personali, morte o danni all'utensile in caso di mancata osservanza delle istruzioni contenute nel presente manuale.*



*Rischio di oggetti volanti. Tenere lontano chiunque si trovi nelle vicinanze dall'area di lavoro.*



*Rischio di scosse elettriche.*



*Disconnettere immediatamente la spina di alimentazione dalla rete elettrica qualora il cavo di alimentazione risulti danneggiato e durante ogni operazione di pulitura e manutenzione.*



*Velocità elettronica variabile.*



*Indossare occhiali di protezione. Indossare protezioni per l'udito.*



*Indossare una mascherina anti-polvere.*



*Indossare guanti di protezione.*



*Apparecchio di Classe II - Doppio isolamento - Non è necessario il collegamento a terra.*



*Non smaltire il prodotto in contenitori non idonei.*



*Il prodotto è conforme alle norme di sicurezza applicabili ai sensi delle direttive europee vigenti.*

## REGOLE GENERALI DI SICUREZZA



**ATTENZIONE! Leggere tutte le avvertenze di sicurezza e tutte le istruzioni.** Se non si seguono tutte le istruzioni sotto elencate, si può incorrere in uno shock elettrico, in un incendio e/o in lesioni serie.

### Conservare queste istruzioni.

Il termine "arnese elettrico" in tutti gli avvertimenti sotto elencati si riferisce al vostro arnese elettrico che funziona a corrente (con filo) o ad un arnese che funziona a pile (senza filo).

#### 1) Area di lavoro

- Mantenere l'area di lavoro pulita e ben illuminata.** Aree buie e disordinate favoriscono gli incidenti.
- Non usare arnesi elettrici in atmosfere esplosive, come vicino ai liquidi infiammabili, gas o polveri.** Gli arnesi elettrici creano scintille che possono incendiare la polvere dei vapori.
- Tenere lontani bambini e altre persone mentre si accende l'arnese elettrico.** Le distrazioni possono farvi perdere il controllo.

#### 2) Sicurezza elettrica

- Le spine dell'arnese elettrico devono andare bene per la presa di corrente. Non modificare mai la spina in alcun modo. Non usare alcun adattatore con arnesi elettrici a terra (messo a terra).** Spine non modificate che vanno bene per le prese di corrente ridurranno il rischio di shock elettrico.
- Evitare il contatto corporeo con superfici a terra come tubature, radiatori, fornelli e refrigeratori.** C'è un rischio maggiore di shock elettrico se il vostro corpo è a terra.
- Non esporre arnesi elettrici alla pioggia o a condizioni di umidità.** Se dell'acqua penetra nell'arnese elettrico aumenterà il rischio di shock elettrico.
- Non abusare del filo. Non usare mai il filo per trasportare, spingere o staccare dalla presa l'arnese elettrico. Tenere il filo lontano da calore, olio, bordi taglienti o parti mobili.** Fili danneggiati o aggrovigliati aumentano il rischio di shock elettrico.
- Quando si accende un arnese elettrico all'aperto, usare una prolunga adatta a tale uso.** Usare un filo adatto all'uso all'aperto ridurrà il rischio di shock elettrico.
- Se non è possibile evitare l'uso di un elettroutensile in ambiente umido, usare una**

**rete di alimentazione protetta da un interruttore differenziale (salvavita).** L'uso di un salvavita riduce il rischio di scosse elettriche.

#### 3) Sicurezza personale

- Stare vigili e attento quando si accende un arnese elettrico. Non usare un arnese elettrico mentre si è stanco o sotto l'effetto di droghe, alcool o medicinali.** Un momento di disattenzione mentre si accendono arnesi elettrici può causare delle gravi lesioni personali.
- Usare dispositivi di protezione individuale. Indossare sempre una protezione per gli occhi.** Dispositivi di sicurezza come mascherina per la polvere, scarpe di sicurezza antiscivolo, casco, o protezioni per le orecchie usate nelle appropriate condizioni, ridurranno le lesioni personali.
- Prevenire l'avvio accidentale. Assicurarsi che l'interruttore sia spento prima di collegarsi.** Trasportare elettroutensili tenendo il dito sull'interruttore di accensione o dare corrente ad elettroutensili con l'interruttore acceso può dare luogo a incidenti.
- Rimuovere ogni chiave regolatrice o chiave per dadi prima di accendere l'arnese elettrico.** Una chiave per dadi o una chiave lasciata attaccata ad una parte rotante dell'arnese elettrico può provocare lesioni personali.
- Cercare di mantenere l'equilibrio. Mantenere sempre un punto d'appoggio appropriato.** Questo consente un controllo migliore dell'arnese elettrico in situazioni inaspettate.
- Vestirsi adeguatamente. Non indossare vestiti larghi o gioielli. Tenere lontano capelli, vestiti e guanti dalle parti mobili.** Vestiti larghi, gioielli o capelli lunghi possono essere presi nelle parti mobili.
- Se vengono forniti dispositivi per la connessione dell'estrazione della polvere e attrezzature di raccolta, assicurarsi che questi siano collegati e usati correttamente.** L'uso di questi dispositivi può ridurre i rischi correlati alla polvere.
- Non lasciare che la confidenza acquisita dall'uso frequente induca l'utilizzatore ad assumere comportamenti imprudenti e a ignorare i principi di sicurezza per l'utensile.** Una semplice distrazione può provocare gravi lesioni personali in una frazione di secondo.

- 4) Uso e manutenzione dell'arnese elettrico**
- Non forzare l'arnese elettrico. Usare l'arnese elettrico corretto per il vostro impiego.** L'arnese elettrico corretto farà il lavoro meglio e in maniera più sicura alla velocità per la quale è stato progettato.
  - Non usare l'arnese elettrico se l'interruttore non si accende o non si spegne.** Ogni arnese elettrico che non può essere controllato con l'interruttore è pericoloso e deve essere riparato.
  - Scollegare la spina dalla sorgente di elettricità prima di fare qualsiasi regolazione, cambiare gli accessori, o conservare arnesi elettrici.** Tali misure di sicurezza preventive riducono il rischio di accendere l'arnese elettrico accidentalmente.
  - Conservare gli arnesi elettrici inattivi fuori dalla portata dei bambini e non permettere a persone che non hanno confidenza con l'arnese elettrico o con queste istruzioni di usare l'arnese elettrico.** Gli arnesi elettrici sono pericolosi per utenti inesperti.
  - Mantenere gli arnesi elettrici. Controllare il non allineamento o l'attacco di parti mobili, la rottura di parti ed ogni altra condizione che può influire sul funzionamento degli arnesi elettrici. Se è danneggiato, far riparare l'arnese elettrico prima dell'uso.** Molti incidenti sono causati da arnesi elettrici mantenuti male.
  - Mantenere gli arnesi da taglio affilati e puliti.** È meno probabile che si attacchino degli arnesi da taglio mantenuti correttamente con tagli affilate e questi sono anche più facili da controllare.
  - Usare l'arnese elettrico, gli accessori e le parti dell'arnese ecc, secondo queste istruzioni e nel modo pensato per il particolare tipo di arnese elettrico, tenendo conto delle condizioni di lavoro e del lavoro da svolgere.** L'uso dell'arnese elettrico per operazioni diverse da quelle pensate potrebbe causare situazioni pericolose.
  - Mantenere le impugnature e le superfici di presa asciutte, pulite e libere da olio e grasso.** Impugnature e superfici di presa scivolose non consentono di maneggiare e controllare in sicurezza l'utensile in situazioni impreviste.
- 5) Uso e manutenzione dell'utensile a batteria**
- Ricaricare l'apparecchio esclusivamente con il caricabatterie specificato dal fabbricante.** Se si utilizza un caricabatterie di diverso tipo potrebbero verificarsi incendi.
  - Utilizzare gli utensili elettrici solo con i pacchi batterie appositamente prescritti.** L'uso di pacchi batterie di diverso tipo aumenta il rischio di infortunio o incendio.
  - Quando il pacco batterie non è in uso, tenerlo lontano da oggetti metallici quali fermagli, monete, chiavi, chiodi, viti o altri piccoli oggetti metallici che potrebbero mettere in collegamento i due poli.** Se i poli vengono messi in corto circuito, la batteria potrebbe emettere scintille o fiammate.
  - In condizioni di uso scorretto, la batteria potrebbe emettere liquido: evitare pertanto di entrarvi in contatto. In caso di contatto accidentale, risciacquare con acqua. Se il liquido entra a contatto con gli occhi, consultare immediatamente un medico.** Il liquido emesso dalla batteria può causare irritazioni o ustioni.
  - Non utilizzare un pacco batterie o l'utensile se danneggiati o manomessi.** Pacchi batterie danneggiati o manomessi potrebbero avere comportamenti imprevisti con il rischio di incendiarsi, esplodere o provocare lesioni a persone.
  - Non esporre un pacco batterie o l'utensile alle fiamme o a temperature eccessivamente elevate.** L'esposizione alle fiamme o a temperature superiori a 130 °C potrebbe provocare un'esplosione. NOTA: la temperatura di "130 °C" corrisponde a "265 °F".
  - Seguire tutte le istruzioni per la ricarica e non caricare il pacco batterie o l'utensile a temperature che non rientrino nell'intervallo specificato nelle istruzioni.** Se si effettua la ricarica in modo improprio o a temperature non comprese nell'intervallo specificato, il pacco batterie potrebbe subire danni e potrebbe aumentare il rischio di incendi.
- 6) Riparazione**
- L'assistenza per l'elettro utensile deve essere prestata da un tecnico qualificato che utilizzi soltanto ricambi originali.** In questo modo viene garantita la sicurezza dell'elettro utensile.
  - Non tentare di riparare pacchi batterie danneggiati.** La riparazione dei pacchi batteria deve essere effettuata esclusivamente dal produttore o presso centri di assistenza autorizzati.

### AVVERTENZE DI SICUREZZA AGGIUNTIVA PER I TASSELLATORI ELETTRONEUMATICI

- Indossare protezioni acustiche.** L'esposizione al rumore può provocare la perdita dell'udito.
- Utilizzare l'impugnatura/le impugnature ausiliarie/e se fornite/e in dotazione con l'utensile.** La perdita di controllo può causare lesioni personali.
- Quando si eseguono operazioni in cui l'accessorio di taglio può entrare in contatto con fili elettrici nascosti o con il cavo di alimentazione dell'utensile, tenerlo esclusivamente dalle impugnature, che sono isolate.** Gli accessori da taglio che vengono a contatto con un cavo sotto tensione trasmettono la corrente elettrica anche alle parti metalliche esposte dell'elettro-utensile con il pericolo di provocare la folgorazione dell'operatore.

#### Sicurezza elettrica



*Controllare sempre che la tensione di alimentazione corrisponda alla tensione indicata sulla targhetta delle caratteristiche.*

- Non utilizzare l'elettro-utensile quando il cavo o la spina di alimentazione sono danneggiati.
- Utilizzare esclusivamente cavi di prolunga idonei per la potenza nominale dell'elettro-utensile, con conduttori di sezione minima di 1.5 mm<sup>2</sup>. Quando si utilizza un cavo di prolunga con avvolgicavo, svolgere sempre completamente il cavo.

## 2. INFORMAZIONI RELATIVE ALL'ELETTROUTENSILE

#### Uso previsto

Questo martello perforatore è progettato per eseguire fori di perforazione in muratura come mattoni, cemento e materiali simili. L'utensile è adatto nella perforazione di legno, metallo, ceramica, e plastica. Inoltre, può essere usato come martello demolitore in combinazione con gli scalpelli SDS a freddo in dotazione. L'elettro-utensile non è destinato in nessun caso ad altri impieghi.



*Non idoneo per l'uso in cantiere.*

### DATI TECNICI

Modello n.°	RH504AC
Tensione di rete	230 V ~
Frequenza di rete	50Hz
Potenza assorbita	1500W
Velocità a vuoto	0-860 /min
Frequenza di percussione	0-4250 /min
Diametro di perforazione max.	
- Calcestruzzo	Ø 32 mm
- Acciaio	Ø 13 mm
- Legno	Ø 42 mm
Peso	5,2 kg
Pressione sonora (LPA)	92,7dB(A) K=3 dB(A)
Potenza sonora (LWA)	103,7dB(A) K=3 dB(A)
<b>Vibrazioni</b>	
Perforazione di calcestruzzo	
$a_{h,HD}$	17,360m/s <sup>2</sup> K=1,5m/s <sup>2</sup>
Scalpella $a_{h,Cheq}$	13,334m/s <sup>2</sup> K=1,5m/s <sup>2</sup>

#### Livello delle vibrazioni

Il livello di emissione delle vibrazioni indicato sul retro di questo manuale di istruzioni è stato misurato in conformità a un test standardizzato stabilito dalla norma EN60745 questo valore può essere utilizzato per mettere a confronto un l'utensile con un altro o come valutazione preliminare di esposizione alla vibrazione quando si impiega l'utensile per le applicazioni menzionate.

- se si utilizza l'utensile per applicazioni diverse, oppure con accessori differenti o in scarse condizioni, il livello di esposizione potrebbe aumentare notevolmente.
- i momenti in cui l'utensile è spento oppure è in funzione ma non viene effettivamente utilizzato per il lavoro, possono contribuire a ridurre il livello di esposizione.

Proteggersi dagli effetti della vibrazione effettuando la manutenzione dell'utensile e dei relativi accessori, mantenendo le mani calde e organizzando i metodi di lavoro.

## DESCRIZIONE

I numeri che compaiono nel testo si riferiscono agli schemi riportati alle pagine 2-3.

1. Interruttore on/off
2. Selettore trapano
3. Leva di selezione dell'azione di percussione
4. Mandrino
5. Ghiera di serraggio
6. Impugnatura principale
7. Impugnatura ausiliaria
8. Dispositivo raccogli-polvere
9. Punto di lubrificazione
10. Manopola di regolazione per il controllo della velocità elettronica

## 3. MONTAGGIO



*Prima del montaggio, spegnere sempre l'elettrotensile e disconnettere la spina di alimentazione dalla rete elettrica.*

### Montaggio e rimozione dell'accessorio (Fig. B)



*Attenzione: punte di trapano e scalpelli possono diventare molto caldi.*



*Non utilizzare punte per trapano o scalpelli spuntati o non affilati. Affilare o sostituire immediatamente le punte per trapano o gli scalpelli spuntati o non affilati.*

### Montaggio

1. Applicare alcune gocce d'olio sullo stelo dell'accessorio.
2. Far scorrere indietro la ghiera di serraggio (5).
3. Inserire l'accessorio nel mandrino (4).
4. Serrare l'accessorio ruotandolo in senso antiorario finché non si blocca in posizione.
5. Rilasciare la ghiera di serraggio (5).

### Rimozione

1. Far scorrere indietro la ghiera di serraggio (5).
2. Rimuovere l'accessorio dal mandrino (4).
3. Rilasciare la ghiera di serraggio (5).

### Montaggio e rimozione dell'impugnatura ausiliaria (Fig. C)

#### Montaggio

1. Allentare l'impugnatura ausiliaria (7) ruotandola in senso antiorario.
2. Montare l'impugnatura ausiliaria (7) inserendola sul collo del mandrino (4).
3. Ruotare l'impugnatura ausiliaria (7) nella posizione desiderata.
4. Serrare l'impugnatura ausiliaria (7) ruotandola in senso orario.

#### Rimozione

1. Allentare l'impugnatura ausiliaria (7) ruotandola in senso antiorario.
2. Rimuovere l'impugnatura ausiliaria (7).
3. Serrare l'impugnatura ausiliaria (7) ruotandola in senso orario.

### Montaggio e rimozione del dispositivo raccogli-polvere (Fig. D)

Il dispositivo raccogli-polvere (8) previene l'ingresso di polvere nell'elettrotensile durante la realizzazione di fori su soffitti.



*Sostituire immediatamente un dispositivo raccogli-polvere (8) danneggiato.*

#### Montaggio

1. Se necessario, rimuovere l'accessorio dal mandrino (4).
2. Inserire il dispositivo raccogli-polvere (8) sullo stelo dell'accessorio.
3. Inserire l'accessorio con il dispositivo raccogli-polvere (8) sul mandrino (4).

#### Rimozione

1. Rimuovere l'accessorio con il dispositivo raccogli-polvere (8) dal mandrino (4).
2. Rimuovere il dispositivo raccogli-polvere (8) dall'accessorio.

## 4. UTILIZZO



*I tassellatori richiedono una pressione minima da parte dell'operatore. Una pressione eccessiva esercitata sull'elettrotensile potrebbe dare origine a un inutile surriscaldamento del motore, facendo bruciare l'utensile. Potrebbe anche succedere che la punta di perforazione si deformi e non sia più possibile rimuoverla dall'elettrotensile.*

### Accensione e spegnimento (Fig. A)

- Per accendere l'elettrotensile, premere l'interruttore on/off (1).
- Per spegnere l'elettrotensile, rilasciare l'interruttore on/off (1).

### Preselezione della velocità (10)

La velocità richiesta può essere preselezionata con il comando a rotella. E' possibile regolare la velocità di rotazione anche durante il funzionamento.

- 1 - 2 = velocità bassa
- 3 - 4 = velocità media
- 5 - 6 = velocità alta
- Max = velocità massima

Le velocità richieste dipendono dal materiale e possono essere determinate con una prova pratica.

### Impostazione della modalità di funzionamento (Fig. A & E)

Il selettore del trapano (2) e la leva di selezione dell'azione di percussione (3), devono essere impostate in base alla necessaria modalità di funzionamento. Per impostare la modalità di funzionamento desiderata, fare riferimento alla tabella riportata sotto Fig. E.

### Impostazione modalità di funzionamento (Fig. E)

- Scalpeltatura (funzione di scalpello): per la scalpeltatura e piccoli lavori di demolizione.
- Foratura a percussione (con funzione di martello perforatore): per la foratura della muratura (mattoni, calcestruzzo e materiali simili).
- Foratura (senza funzione di martello perforatore): per la foratura di vari materiali.

Ruotare il selettore del trapano (2) e la leva di selezione dell'azione di percussione (3) nella posizione richiesta.

### Suggerimenti per l'utente

- Per fori di grandi dimensioni, ad esempio nel calcestruzzo molto duro, cominciare utilizzando una punta più piccola per eseguire il foro pilota, quindi passare alla punta della dimensione nominale.
- Tenere fermo l'elettrotensile saldamente con tutte due le mani. È necessario essere consapevoli del fatto che la punta può rimanere incastrata e l'elettrotensile potrebbe improvvisamente girarsi (soprattutto se si stanno eseguendo fori profondi).
- Non esercitare una pressione eccessiva sull'elettrotensile. Lasciare che l'elettrotensile effettui il lavoro di taglio.

## 5. MANUTENZIONE



*Prima di eseguire qualsiasi intervento di manutenzione scollegare sempre la macchina dalla presa di corrente.*

Pulire regolarmente il corpo dell'elettrotensile con un panno morbido, preferibilmente dopo ogni uso. Assicurarsi che le prese d'aria siano libere da polvere e sporcizia. Rimuovere lo sporco particolarmente ostinato con un panno morbido inumidito con acqua e sapone. Non utilizzare solventi come benzina, alcol, ammoniaca, ecc. Le sostanze chimiche di questo tipo danneggiano i componenti sintetici.

## RISPETTO AMBIENTALE



*Le apparecchiature elettriche o elettroniche difettose e/o scartate devono essere raccolte presso gli opportuni siti di riciclaggio.*

### Solo per i Paesi CE

Non smaltire gli elettrotensili insieme ai rifiuti domestici. Secondo la Direttiva europea 2012/19/EC sui rifiuti delle apparecchiature elettriche ed elettroniche e relativa implementazione nelle normative locali, gli elettrotensili ormai inutilizzabili devono essere raccolti separatamente e smaltiti in modo ecologico.

## DEFINIZIONI DELLA GARANZIA

I prodotti VONROC sono sviluppati secondo i più elevati standard di qualità e viene garantita l'assenza di difetti nei materiali e nella manodopera per il periodo contrattuale a partire dalla data di acquisto originale. Qualora il prodotto dovesse subire un guasto qualsiasi durante questo periodo a causa di difetti nei materiali e/o nella manodopera, si prega di contattare direttamente il VONROC.

Le seguenti circostanze sono escluse da questa garanzia:

- Riparazioni e/o modifiche alla macchina sono state eseguite o tentate da centri di assistenza non autorizzati.
- Normale usura.
- L'utensile è stato abusato, utilizzato o manutenu- to in modo improprio.
- Sono state utilizzate parti di ricambio non originali

Ciò costituisce l'unica garanzia espressa o implicita fornita dall'azienda. Non esistono altre garanzie espresse o implicite che si estendono oltre il presente documento, ivi comprese le garanzie implicite di commerciabilità e idoneità per uno scopo particolare. In nessun caso VONROC sarà responsabile di eventuali danni incidentali o consequenziali. I rimedi dei rivenditori saranno limitati alla riparazione o sostituzione di unità o parti non conformi.

**Il prodotto e il manuale per l'utente sono soggetti a modifiche. I dati tecnici possono essere modificati senza ulteriore notifica.**

## 1. SÄKERHETSFÖRESKRIFTER

Läs de medföljande säkerhetsvarningarna, de tillkommande säkerhetsvarningarna och anvisningarna. Om inte säkerhetsvarningarna och anvisningarna följs kan detta orsaka elstöt, brand och/eller allvarliga kroppsskador. Behåll säkerhetsvarningarna och anvisningarna för framtida bruk.

Följande symboler används i bruksanvisningen eller på produkten:



Läs igenom bruksanvisningen.



Anger risk för personskada, dödsfall eller skada på verktyget om anvisningarna i denna handbok inte följs.



Risk för flygande föremål.  
Håll kringstående borta från arbetsområdet.



Risk för elstöt.



Dra omedelbart ut nätkontakten ur vägguttaget om nätsladden skadas och även under rengöring och underhåll.



Variabla elektroniska varvtal.



Använd skyddsglasögon.  
Använd hörselskydd.



Använd skyddsmask.



Använd skyddshandskar.



Klass II-maskin - dubbel isolering - du behöver ingen jordad kontakt.



Släng inte produkten i olämpliga behållare.



Produkten är i överensstämmelse med tillämpliga säkerhetsstandarder i EU-direktiven.

### ALLMÄNNA SÄKERHETSFRÖSKRIFTER



**Varning! Läs alla säkerhetsvarningar och alla anvisningar.** Om inte alla instruktioner som anges nedan efterföljs kan detta leda till el-stöt, eldsvåda och/eller allvarliga skada.

### Spara dessa instruktioner.

Termen "elektriskt redskap" i varningarna som anges nedan hänvisar till elektriska verktyg (med sladd, anslutet till el-nätet) eller batteridrivna (sladdlösa) elektriska verktyg.

#### 1) Arbetsutrymme

- Se till att arbetsutrymmet är städad och väl upplyst.** Stökiga och mörka utrymmen ger anledning till olyckor.
- Använd inte elektriska verktyg i explosiv luft, såsom i närheten av lättantändliga vätskor, gaser eller damm.** Elektriska verktyg åstadkommer gnistor som kan sätta eld på damm eller gas.
- Håll barn och obehöriga på avstånd när du använder ett elektriskt verktyg.** Om du blir distraherad kan du tappa kontrollen över verktyget.

#### 2) El-säkerhet

- Stickkontakten till elektriska verktyg måste passa el-uttaget. Ändra aldrig på något sätt på stickkontakten. Använd inte adapterkontakter till jordade elektriska verktyg.** Oförändrade stickkontakter och passande uttag minskar risken för el-stöt.
- Undvik kroppskontakt med jordade ytor såsom rör, element, spisar och kylskåp.** Risken för el-stöt är större om din kropp är jordad.
- Låt inte elektriska verktyg utsättas för regn eller våta förhållanden.** Om det kommer in vatten i ett elektriskt verktyg ökar risken för el-stöt.
- Skada inte kabeln. Använd aldrig kabeln för att bära eller dra det elektriska verktyget eller för att dra ut stickkontakten. Håll sladden borta från höga temperaturer, olja, vassa kanter eller rörliga delar.** Skadade eller hoptrasslade kablar ökar risken för el-stöt.
- När du använder ett elektriskt verktyg utomhus måste förlängningskabeln vara lämplig för utomhusbruk.** Om man använder en förlängningskabel för utomhusbruk minskar risken för el-stöt.
- Använd jordfelskydd (RCD) om arbete med ett elverktyg i fuktig miljö är oundvikligt.** Användning av RCD minskar risken för elstöt.

#### 3) Personlig säkerhet

- Var uppmärksam, titta på det du håller på med och använd sunt förnuft när du arbetar med ett elektriskt verktyg. Använd inte elektriska verktyg när du är trött eller står under inflytande av droger, alkohol eller mediciner.** Ett ögonblick

ouppmärksamhet vid användandet av elektriska verktyg kan leda till allvarliga personskador.

- Använd personlig skyddsutrustning. Bär alltid skyddsglasögon.** Säkerhetsutrustning såsom skyddsmasker, skor med anti-halksula, hjälm eller hörselskydd som används vid rätt omständigheter kommer att minska personskador.
  - Förhindra oavsiktlig igångsättning. Se till att strömbrytaren är avslagen innan du sätter stickkontakten i eluttaget.** Om du bär elverktyg med fingret på brytaren eller strömsätter elverktyg vars brytare är aktiverad kan du råka ut för en olycka.
  - Ta bort skiftnycklar och skruvnycklar innan ett elektriskt verktyg slås på.** En skift- eller skruvnyckel som lämnas kvar fastsatt vid det elektriska verktygets roterande delar kan leda till personskada.
  - Sträck dig inte för långt. Se till att du alltid står stadigt och i balans.** På så sätt har du bättre kontroll över det elektriska verktyget i oväntade situationer.
  - Klä dig rätt. Bär inte löst sittande kläder eller smycken. Håll håret, kläder och handskar borta från rörliga delar.** Löst sittande kläder, smycken eller långt hår kan fastna i de rörliga delarna.
  - Om apparater för uppsugning och uppsamling av damm finns tillgängliga, se till att de ansluts och används korrekt.** Om sådana apparater används kan dammrelaterade faror minskas.
  - Låt inte erfarenheten som uppnås vid frekvent användning av verktyg låta dig bli för självsäker och ignorera verktygsäkerhetsprinciperna.** En oförsiktig handling kan orsaka allvarliga skador under bråkdelen av en sekund.
- #### 4) Underhåll av elektriska verktyg
- Överbelasta inte ett elektriskt verktyg. Använd rätt sorts verktyg till det arbete du vill utföra.** Rätt sorts elektriskt verktyg gör arbetet bättre och säkrare i den hastighet det var designat för.
  - Använd inte verktyget om strömbrytaren är trasig.** Om ett elektriskt verktyg inte kan kontrolleras med hjälp av en strömbrytare är det farligt och måste lagas.
  - Koppla loss stickkontakten från verktyget innan du utför några justeringar, byter tillbehör eller förvarar det.** Med dessa preventiva säkerhetsåtgärder minskas risken för att det elektriska verktyget går på av misstag.
  - Förvara elektriska verktyg som inte är i bruk utom räckhåll för barn och låt inte personer**



- som inte känner till verktyget eller dessa instruktioner använda det. Elektriska verktyg är farliga i händerna på oerfarna användare.
- e) **Underhåll elektriska verktyg. Kontrollera att alla rörliga delar är i rät linje och fastsatta, att inga delar är trasiga och att de är korrekt monterade. Kontrollera även annat som kan påverka verktygets funktion. Om det elektriska verktyget är trasigt måste det repareras innan det tas i bruk.** Många olyckor förorsakas av dåligt underhållna elektriska verktyg.
- f) **Håll alltid sågande och skärande verktyg vassa och rena.** Sågande och skärande verktyg med vassa eggar/skär fastnar inte så lätt och är enklare att hålla kontroll över.
- g) **Använd det elektriska verktyget, dess tillbehör, borrande eller skärande delar etc. enligt dessa instruktioner och på det sätt som det är avsett för. Ta med förutsättningarna och det arbete som ska utföras i beräkningarna.** Att använda ett elektriskt verktyg för andra arbeten än det är avsett för kan resultera i farliga situationer.
- h) **Se till att handtagen är torra, rena och fria från olja och fett.** Hala handtag och greppytor tillåter inte säker hantering och kontroll av verktyget i oväntade situationer.
- 5) Användning och skötsel av batteri och laddare**
- a) **Använd endast den laddare som anges av tillverkaren.** En laddare som passar en typ av batteri kan orsaka brand om den används för ett annat batteri.
- b) **Använd endast elverktyget med ett batteripack som är avsett för verktyget.** Användning av andra batteripack kan medföra risk för skador och brand.
- c) **När du inte använder batteriet ska det förvaras så att inga små metallföremål som t.ex. gem, mynt, spikar, skruvar osv. kan kortsluta kontaktorna på batteriet.** Kortslutning av batterikontaktorna kan orsaka brännskador eller brand.
- d) **Under extrema förhållanden kan vätska läcka ut från batteriet; undvik kontakt. Skölj med vatten vid kontakt med kroppsdelar. Uppsök genast en läkare om du får vätska i ögonen.** Vätska från batteriet kan orsaka irritation eller frätskador.
- e) **Använd inte batterier eller verktyg som är skadade eller modifierade.** Skadade eller modifierade batterier kan uppvisa oförutsägbart beteende som kan leda till brand, explosion eller risk för skada.
- f) **Utsätt inte batteri eller verktyg för eld eller överdriven temperatur.** Exponering för brand eller temperatur över 130 °C kan orsaka explosion. OBS! Temperaturen "130 °C" kan ersättas med temperaturen "265 °F".
- g) **Följ alla laddningsanvisningar och ladda inte batteriet eller verktyget utanför det temperaturområde som anges i instruktionerna.** Om du laddar batteriet felaktigt eller vid temperaturer utanför det angivna området kan det skada batteriet och öka risken för brand.
- 6) Service**
- a) **Låt ditt elverktyg servas av en kvalificerad reparatör och enbart med originalreservdelar.** Detta säkerställer att elverktygets säkerhet upprätthålls.
- b) **Utför aldrig service på skadade batterier.** Service av batteri ska endast utföras av tillverkaren eller auktoriserade serviceleverantörer.

#### KOMPLETTERANDE SÄKERHETSVARNINGAR FÖR ROTERANDE HAMMARBORRAR

- a) **Bär hörselskydd.** Exponering för buller kan orsaka hörselnedsättning.
- b) **Använd stödhandtag om de medföljer verktyget.** Förlorad kontroll kan orsaka personskada.
- c) **Håll elverktyget i de isolerade greppsyrtorna när du utför arbete där tillbehöret kan komma i kontakt med dolda ledningar eller den egna sladden.** Skärtillbehör som kommer i kontakt med en strömförande ledning kan orsaka att elverktygets synliga metalldelar blir strömförande och ger användaren en elstöt.

#### Elsäkerhet



*Kontrollera alltid att strömförsörjningens spänning motsvarar spänningen på typskylten.*

- Om elverktygets nätkabel är skadad måste den bytas ut mot en speciellt förberedd nätsladd som finns tillgänglig via serviceorganisationen.
- Använd endast förlängningskablar som är lämpliga för maskinens effektvärde med ett minimum tjocklek 1,5 mm<sup>2</sup>. Om du använder en förlängningskabelrulle ska du alltid rulla ur kabeln helt.

## 2. MASKININFORMATION

### Avsedd användning

Denna roterande hammare är avsedd för borring i murverk som tegel, betong och liknande material. Den är också lämplig för borring i trä, metall, keramik och plast. Maskinen kan dessutom användas som en rivningshammare i kombination med medföljande SDS-mejslar. Maskinen ska inte under några omständigheter användas för andra ändamål.



Den är inte avsedd att användas på byggarbetsplatser.

### TEKNISKA SPECIFIKATIONER

Modellnr.	RH504AC
Strömspanning	230 V ~
Strömfrekvens	50Hz
Ineffekt	1500W
Varvtal utan belastning	0-860 /min
Slagfrekvens	0-4250 /min
Max. borrar diameter	
- Betong	Ø 32 mm
- Stål	Ø 13 mm
- Trä	Ø 42 mm
Vikt	5,2 kg
Ljudtryck (LPA)	92,7dB(A) K=3 dB(A)
Ljudeffekt (LWA)	103,7dB(A) K=3 dB(A)
<b>Vibration</b>	
Hammarboring i betong $a_{h,HD}$	17,360m/s <sup>2</sup> K=1,5m/s <sup>2</sup>
Mejsling $a_{h,Cheq}$	13,334 m/s <sup>2</sup> K=1,5m/s <sup>2</sup>

### Vibrationsnivå

Vibrationsemissionsvärdet som står på baksidan av den här instruktionsboken har uppmätts enligt ett standardiserat test i enlighet med EN60745; detta värde kan användas för att jämföra vibrationen hos olika verktyg och som en ungefärlig uppskattning av hur stor vibration användaren utsätts för när verktyget används enligt det avsedda syftet:

- om verktyget används på ett annat än det avsedda syftet eller med fel eller dåligt underhållna tillbehör kan detta drastiskt öka vibrationsnivån;
- när verktyget stängs av eller är på men inte används, kan detta avsevärt minska vibrationsnivån.

Skydda dig mot vibration genom att underhålla verktyget och dess tillbehör, hålla händerna varma och styra upp ditt arbetssätt.

### BESKRIVNING

Siffrorna i texten hänvisar till diagrammen på sidorna 2-3.

1. Strömbrytare
2. Omkopplare för borrväl
3. Spak för hammarväl
4. Chuck
5. Låshylsa
6. Huvudhandtag
7. Hjälpandtag
8. Dammsamlaren
9. Smörjställe
10. Ställratt för elektronisk varvvalsreglering

## 3. MONTERING



Innan montering ska du alltid stänga av maskinen och dra ut nätkontakten ur vägguttaget.

### Montering och borttagning av tillbehöret (Fig. B)



Varning: borrar och mejslar kan bli väldigt varma.



Använd inte nötta eller skadade borrarbits eller mejslar. Skärp eller byt snarast nötta borrarbits eller mejslar.

### Montering

1. Häll på några droppar olja på tillbehörets axel.
2. Skjut låshylsan (5) bakåt.
3. Stick in tillbehöret i chucken (4).
4. Säkra tillbehöret genom att vrida det moturs tills det låses på plats.
5. Frigör låshylsan (5).

### Borttagning

1. Skjut låshylsan (5) bakåt.
2. Ta bort tillbehöret från chucken (4).
3. Frigör låshylsan (5).

### Montering och borttagning av hjälpandtaget (Fig. C)

#### Montering

1. Lossa hjälpandtaget (7) genom att vrida det moturs.

2. Montera hjälphandtaget (7) genom att föra det över chucken (4).
3. Vrid hjälphandtaget (7) till önskat läge.
4. Dra fast hjälphandtaget (7) genom att vrida det medurs.

### Borttagning

1. Lossa hjälphandtaget (7) genom att vrida det moturs.
2. Ta bort hjälphandtaget (7).
3. Dra fast hjälphandtaget (7) genom att vrida det medurs.

### Montering och borttagning av dammsamlaren (Fig. D)

Dammsamlaren (8) hindrar damm från att komma in i maskinen vid borring i tak.



*Byt omedelbart ut en skadad dammsamlare (8).*

### Montering

1. Om så behövs, ta bort tillbehöret från chucken (4).
2. Skjut dammsamlaren (8) över axeln på tillbehöret.
3. Stick in tillbehöret med dammsamlaren (8) i chucken (4).

### Borttagning

1. Ta bort tillbehöret med dammsamlaren (8) från chucken (4).
2. Ta bort dammsamlaren (8) från tillbehöret.

## 4. ANVÄNDNING



*Användaren behöver inte anbringa mycket tryck på hammarborren. För mycket tryck på maskinen kan leda till onödig överhettning av motorn och det drivna verktyget. Det kan också hända att borren deformeras och inte kan tas bort från maskinen igen.*

### Starta och stänga av (Fig. A)

- För att starta maskinen, tryck på strömbrytaren (1).
- För att stänga av maskinen, släpp strömbrytaren (1).

### Varvtalsinställning (10)

Nödvändigt varvtal kan ställas in i förväg med ställratten. Det går även att justera rotationshastigheten när maskinen är igång.

- 1 - 2 = låg hastighet
- 3 - 4 = normal hastighet
- 5 - 6 = hög hastighet
- Max = Högsta hastighet

Varvtalet som krävs beror på vilket material som skall bearbetas och kan fastställas genom praktisk provning.

### Inställning av driftläget (Fig. A & E)

Omkopplaren för borrval (2) och spaken för hammarval (3) måste ställas in enligt det erforderade driftläget. Se tabellen och Fig. E nedan för inställning av önskat driftläge.

### Inställning driftläge (Fig. E)

- A) Hackning (mejslingsfunktion): för hackning och mindre rivningsarbeten.
- B) Slagborring (med hammarfunktion): för borring i murverk som tegel, betong och liknande material.
- C) Borring (utan hammarfunktion): för borring i flera material.

Vrid omkopplaren för borrval (2) och spaken för hammarval (3) till önskade lägen.

### Användartips

- Börja med att pilotborra med en mindre borrbits innan du borrar med en borrbits av normal storlek om du borrar stora hål, t.ex. i hård betong.
- Håll maskinen stadigt med två händer. Var medveten om att borren kan fastna och därför plötsligt vända (i synnerhet vid borring av djupa hål).
- Anbringa inte för mycket tryck på maskinen. Låt maskinen göra arbetet.

## 5. UNDERHÅLL



*Innan rengöring och underhåll ska du alltid stänga av maskinen och dra ut nätkontakten ur vägguttaget.*

Rengör maskinen hus regelbundet med en mjuk trasa, helst efter varje gång du använder maskinen. Se till att ventilationsöppningarna är fria från damm och smuts. Ta bort mycket ihållande smuts med en mjuk trasa fuktad med tvällösning. Använd inte lösningsmedel som bensin, alkohol, ammoniak osv. Sådana kemikalier skadar de syntetiska komponenterna.

## MILJÖ



*Felaktigt och/eller kasserad elektrisk eller elektronisk utrustning måste lämnas in på lämpliga återvinningsstationer.*

### Endast för EU-länder

Kassera inte elverktyg i hushållsavfall. Enligt den europeiska riktlinjen 2012/19/EU om kasserad elektrisk och elektronisk utrustning och dess tillämpning i nationell rätt måste elverktyg som inte längre är användbara samlas in separat och kasseras på ett miljövänligt sätt.

## GARANTI

VONROC produkter är utvecklade enligt högsta kvalitetsstandard och garanteras vara utan defekter både vad gäller material och tillverkning under den period som stipuleras enligt lag med början från ursprungligt inköpsdatum. Om något fel uppstår på produkten under denna period på grund av material- och/eller tillverkningsfel skall VONROC kontaktas direkt.

Följande omständigheter exkluderas från denna garanti:

- Reparationer eller ändringar som gjorts eller försökt göras på maskinen av ett icke auktoriserat servicecenter.
- Normalt slitage.
- Verktøget har missbrukats, använts fel eller underhållits på felaktigt sätt.
- Icke-originalreservdelar har använts.

Detta utgör hela garantin från företaget, antingen uttryckt eller underförstått. Det finns inga andra garantier, uttalande eller underförstådda som gäller utöver ordalydelsen härav, häri, inklusive de outtalade garantierna för säljbarhet och lämplighet för ett särskilt syfte. Under inga omständigheter skall VONROC hållas ansvarig för några oförutsedda eller indirekta skador. Återförsäljarens åtgärder skall begränsas till reparation eller byte av felaktiga enheter eller delar.

**Med förbehåll för ändringar i produkten och bruksanvisningen. Specifikationer kan ändras utan förvarning.**

## 1. SIKKERHEDSANVISNINGER

Læs de medfølgende sikkerhedsadvarsler, de supplerende sikkerhedsadvarsler og instruktionerne. Såfremt sikkerhedsadvarsler og instruktioner ikke følges, kan dette medføre elektriske stød, brand og/eller alvorlige ulykker. Gem alle sikkerhedsadvarsler og instruktioner til fremtidig reference.

Følgende symboler anvendes i denne brugermanual eller på produktet:



*Læs brugermanualen.*



*Angiver risiko for personskade, dødsfald eller beskadigelse af varmeren i tilfælde af manglende overholdelse af anvisningerne i denne vejledning.*



*Risiko for flyvende dele. Hold omkringstående på afstand af arbejdsområdet.*



*Risiko for elektrisk stød.*



*Fjern straks stikket fra vægstikkontakten, hvis strømkablet bliver beskadiget samt under rengøring og vedligeholdelse.*



*Variabel hastighedsregulering.*



*Brug beskyttelsesbriller. Brug høreværn.*



*Bær en støvmaske.*



*Bær sikkerhedshandsker.*



*Klasse II-maskine – Dobbeltisoleret – Du har ikke brug for et jordstik.*



*Kassér ikke produktet i en forkert container.*



*Produktet overholder de gældende sikkerhedsstandarder i de europæiske direktiver.*

## GENERELLE SIKKERHEDSFORSKRIFTER



**Advarsel! Læs alle sikkerhedsadvarsler og alle anvisninger.** Hvis alle nedenstående instruktioner ikke følges, kan det resultere i elektrisk stød, brand og/eller alvorlig personskade.

### Gem disse instruktioner.

Udtrykket "elektrisk maskine" i alle advarslerne nedenfor henviser til elektriske maskiner/værktøj/redskaber, der via en ledning tilkobles elnettet eller strømforsynes via batteri (accu).

#### 1) Arbejdsområde

- Arbejdsområdet skal være rent og tilstrækkeligt belyst.** Rodede og mørke arbejdsområder giver større risiko for ulykker.
- Brug ikke elektriske maskiner i eksplosive omgivelser, f.eks. i nærheden af brandfarlige væsker, gasser eller støv.** Elektriske maskiner frembringer gnister, som kan antænde støv eller dampe.
- Hold børn og omkringstående på afstand, når der bruges elektriske maskiner.** Hvis man distraheres, kan man miste kontrollen over den elektriske maskine.

#### 2) Elektrisk sikkerhed

- Stik til elektriske maskiner skal passe til stikkontakten. Der må ikke foretages ændringer af stikket. Brug ikke snydepropper til jordede (jordforbundne) elektriske maskiner.** Originale stik og tilsvarende kontakter mindsker risikoen for elektrisk stød.
- Undgå kropskontakt med jordede eller jordforbundne overflader som f.eks. rør, radiatorer, komfurer og køleskabe.** Der er øget risiko for elektrisk stød, hvis kroppen er jordet eller jordforbundet.
- Elektriske maskiner må ikke udsættes for regn eller våde omgivelser.** Hvis der kommer vand i den elektriske maskine, øges risikoen for elektrisk stød.
- Brug ikke ledningen forkert. Brug ikke ledningen til at bære eller trække maskinen og heller ikke for at tage ledningen ud af stikkontakten. Hold ledningen væk fra stærk varme, olie, skarpe kanter og bevægelige dele.** Beskadigede eller filtrede ledninger øger risikoen for elektrisk stød.
- Når en elektrisk maskine bruges udendørs, skal man bruge en forlængerledning, der er beregnet til udendørs brug.** Hvis der bruges en forlængerledning, der er beregnet til udendørs

brug, mindskes risikoen for elektrisk stød.

- Hvis det ikke kan undgås at bruge et maskinværktøj i et fugtigt miljø, bør du anvende en forsyning, der er beskyttet af en fejlstrømsafbryder (RCD).** Brugen af en RCD reducerer risikoen for elektrisk stød.
- #### 3) Personlig sikkerhed
- Vær agtpågivende, hold øjnene rette mod det, du laver, og brug almindelig sund fornuft, når du bruger en elektrisk maskine. Brug ikke en elektrisk maskine, hvis du er træt eller er under påvirkning af narkotika, alkohol eller medicin.** Et øjeblik uopmærksomhed under arbejdet med en elektrisk maskine kan resultere i alvorlig personskade.
  - Brug personligt sikkerhedsudstyr. Brug altid beskyttelsesbriller.** Sikkerhedsudstyr som støvmaske, skridsikre sko, hjelm eller høreværn, brugt når det er nødvendigt, mindsker risikoen for personskade.
  - Undgå utilsigtet start. Sørg for, at der er slukket på afbryderen, før stikket sættes i stikkontakten.** Hvis maskinværktøj bæres med fingeren på kontakten, eller når maskinværktøj strømføres med tændt kontakt, kan der nemt ske ulykker.
  - Fjern justeringsnøgler og tænger, før der tændes for den elektriske maskine.** En tang eller nøgle, der sidder på en roterende del af den elektriske maskine, kan resultere i personskade.
  - Ræk ikke for langt ud. Stå sikkert på fødderne og vær altid i god balance.** Det giver bedre kontrol over maskinen i uventede situationer.
  - Tag passende tøj på. Bær ikke løstsiddende tøj eller smykker. Hold hår, tøj og handsker væk fra bevægelige dele.** Løstsiddende tøj, smykker eller langt hår kan blive grebet af bevægelige dele.
  - Hvis der forefindes tilslutning til støvudsugning og -opsamling, skal man sørge for, at udstyret er tilsluttet og bruges.** Brug disse muligheder for at mindske risikoen for støvrelaterede risici.
  - Lad ikke kendskab opnået gennem hyppig brug af værktøj lade dig blive tilbagelænet og ignorere værktøjssikkerhedsprincipper.** En skødesløs handling kan forårsage alvorlig personskade inden for en brøkdel af et sekund.
- #### 4) Brug og behandling af elektriske maskiner
- Brug ikke magt på den elektriske maskine. Brug kun den elektriske maskine til det, den er beregnet til.** Den rette elektriske maskine gør arbejdet bedre og mere sikkert ved den effekt,

- der er foreskrevet.
- b) **Brug ikke den elektriske maskine, hvis afbryderen ikke kan tænde og slukke.** En elektrisk maskine, der ikke kan tændes og slukkes på afbryderen, er farlig og skal repareres.
  - c) **Tag stikket ud af stikkontakten før justering, udskiftning af tilbehør, og før den elektriske maskine gemmes væk.** Sådanne forebyggende sikkerhedsforanstaltninger mindsker risikoen for, at den elektriske maskine starter ved et uheld.
  - d) **Elektriske maskiner, der ikke bruges, skal opbevares utilgængeligt for børn, og personer, der ikke har kendskab til den elektriske maskine eller disse instruktioner, må ikke bruge den elektriske maskine.** Elektriske maskiner er farlige i hænderne på uøvede personer.
  - e) **Elektriske maskiner skal vedligeholdes. Check for forkert justering og fastsiddende bevægelige dele, defekte dele og andre ting, som kan påvirke den elektriske maskines korrekte funktion.** Hvis den elektriske maskine er beskadiget, skal den repareres før brug. Mange ulykker skyldes, at elektriske maskiner er dårligt vedligeholdt.
  - f) **Skærende værktøj skal holdes skarpe og rene.** Korrekt vedligeholdt skærende værktøj med skarpe skær kommer ikke så let til at sidde fast og er nemmere at styre.
  - g) **Brug den elektriske maskine, tilbehør, tool-bits osv. i henhold til disse instruktioner og på den måde, som denne specielle maskine er beregnet til, idet man skal tage hensyn til arbejdsforholdene og arbejdet, der skal udføres.** Brug af den elektriske maskine til andet, end den er beregnet til, kan resultere i farlige situationer.
  - h) **Hold håndtag og gribeblader tørre, rene og fri fra olie og fedtstof.** Glatte håndtag og gribeblader giver ikke mulighed for sikker håndtering og kontrol af værktøjet i uventede situationer.
- 5) Batteriværktøj anvendelse og vedligeholdelse**
- a) **Genoplad kun med oplader som er specificeret af fabrikanten.** En oplader som er anvendelig for en type batteripakning kan forårsage brand, når den anvendes med en anden batteripakning.
  - b) **Anvend kun elektroværktøj med særlig egnede batteripakninger.** Anvendelse af enhver anden batteripakning kan give risiko for ulykker og brandfare.
  - c) **Når batteripakning ikke anvendes, holdes det altid på afstand af enhver metalgenstand såsom papirklips, mønter, nøgler, søm eller andre små metal genstande der kan lave en forbindelse fra én terminal til en anden.** Ved at kortslutte batteriterminalerne sammen kan forårsage brandfare.
  - d) **Under dårlige forhold kan væske udløbe fra batteriet; undgå kontakt med dette. Hvis kontakt alligevel forekommer, skylles der med vand. Hvis væske kommer i øjnene, skal der øjeblikkeligt søges lægehjælp.** Væske som udløber fra batteriet kan forårsage irriterationer og forbrændinger.
  - e) **Brug ikke en batteripakke eller et værktøj, der er beskadiget eller modificeret.** Beskadigede eller modificerede batterier kan udvise uforudsigelig adfærd, hvilket resulterer i brand, eksplosion eller risiko for personskade.
  - f) **Undlad at udsætte en batteripakke eller et værktøj for åben ild eller for høj temperatur.** Udsættelse for åben ild eller temperatur over 130 °C kan forårsage eksplosion. BEMÆRK Temperaturen „130 °C“ kan erstattes af temperaturen „265 °F“.
  - g) **Følg alle opladningsinstruktioner, og oplad ikke batteripakken eller værktøjet uden for temperaturintervallet specificeret i instruktionerne.** Forkert opladning eller opladning ved temperaturer uden for det specificerede interval kan beskadige batteriet og øge risikoen for brand.
- 6) Service**
- a) **Få foretaget service på dit maskinværktøj af en kvalificeret reparatør, der kun bruger identiske udskiftningsdele.** Dette sikrer, at maskinværktøjet fortsat er sikkert at bruge.
  - b) **Foretag aldrig service på beskadigede batteripakker.** Service af batteripakker bør kun udføres af producenten eller autoriserede serviceudbydere.

## YDERLIGERE SIKKERHEDSADVARSLER FOR BOREHAMMERE

- a) **Bær høreværn.** Hvis du udsættes for støj, kan det forårsage høretab.
- b) **Brug hjælpehåndtag, hvis det leveres med værktøjet.** Tab af kontrol kan resultere i personskader.
- c) **Hold kun maskinværktøjet ved de isolerede gribeblader, når du udfører en handling, hvor skæretilbehøret muligvis kan komme i kontakt med skjulte ledningstråde eller dets egen ledning.** Hvis skæretilbehør kommer i kontakt med en strømført ledning, kan det gøre maskinværktøjets eksponerede metaldele strømførte og dermed give operatøren stød.

**Elektrisk sikkerhed**

Kontroller altid, at strømforsyningsens spænding svarer til spændingen på typeskiltet.

- Brug ikke maskinen, hvis strømkablet eller stikket er beskadiget.
- Brug kun forlængerledninger, der passer til maskinens spænding og som har en minimumtykkelse på 1.5 mm<sup>2</sup>. Hvis du anvender en kabeltromle, skal kablet altid rulles helt ud.

**2. MASKINOPLYSNINGER****Tilsigtet brug**

Denne borehammer er beregnet til at bore huller i murværk, som f.eks. mursten, beton og lignende materiale. Den er også velegnet til boring i træ, metal, keramik og plastik. Derudover kan maskinen bruges som nedbrydningshammer sammen med de medfølgende SDS koldmejsler. Maskinen er under ingen omstændigheder beregnet til andre formål.



Ikke egnet til brug på byggepladser.

**TEKNISKE SPECIFIKATIONER**

Modelnr.	RH504AC
Netspænding	230 V ~
Netfrekvens	50Hz
Indgangseffekt	1500W
Hastighed uden last	0-860 /min
Slaghastighed	0-4250 /min
Maks. borediameter	
- Beton	Ø 32 mm
- Stål	Ø 13 mm
- Træ	Ø 42 mm
Vægt	5,2 kg
Lydtryk (LPA)	92,7dB(A) K=3 dB(A)
Lydeffekt (LWA)	103,7dB(A) K=3 dB(A)
<b>Vibration</b>	
Hammerboring af beton a <sub>h,HD</sub>	17,360m/s <sup>2</sup> K=1,5m/s <sup>2</sup>
Mejsling a <sub>h,Chaq</sub>	13,334 m/s <sup>2</sup> K=1,5m/s <sup>2</sup>

**Vibrationsniveau**

Det vibrationsniveau, der er anført bag på denne betjeningsvejledning er målt i henhold til den standardiserede test som anført i EN60745; den kan benyttes til at sammenligne to stykker værktøj og som en foreløbig bedømmelse af udsættelsen for vibrationer, når værktøjet anvendes til de nævnte formål:

- anvendes værktøjet til andre formål eller med andet eller dårligt vedligeholdt tilbehør, kan dette øge udsættelsesniveauet betydeligt;
- de tidsrum, hvor værktøjet er slukket, eller hvor det kører uden reelt at udføre noget arbejde, kan reducere udsættelsesniveauet betydeligt.

Beskyt dig selv imod virkningerne af vibrationer ved at vedligeholde værktøjet og dets tilbehør, ved at holde dine hænder varme og ved at organisere dine arbejdsmønstre.

**BESKRIVELSE**

Tallene i teksten henviser til diagrammerne på side 2-3.

1. Tænd/sluk-kontakt
2. Kontakt til valg af bor
3. Stang til valg af hammer
4. Patron
5. Låsømuffe
6. Hovedgreb
7. Hjælpegreb
8. Støvsamlere
9. Smørepunkt
10. Justering af hjul til elektronisk hastighedskontrol

**3. SAMLING**

Inden montering, skal maskinen altid slukkes, og netstikket skal tages ud af stikkontakten.

**Montering og fjernelse af tilbehøret (Fig. B)**

Forsigtig: bor og mejsler kan blive meget varme.



Brug ikke sløve borebits eller mejsler. Slib eller udskift straks sløve borebits eller mejsler.



**Montering**

1. Kom et par dråber olie på tilbehørets skaft.
2. Glid låsemuffen (5) bagud.
3. Sæt tilbehøret ind i patronen (4).
4. Sæt tilbehøret fast ved at dreje det mod uret, indtil det klikker på plads.
5. Slip låsemuffen (5).

**Fjernelse**

1. Glid låsemuffen (5) bagud.
2. Tag tilbehøret ud af patronen (4).
3. Slip låsemuffen (5).

**Montering og fjernelse af hjælpegrebet (Fig. C)****Montering**

1. Løsn hjælpegrebet (7) ved at skruet det mod uret. Monter hjælpegrebet (7) ved at glide det over patronen (4).
2. Drej hjælpegrebet (7) til det er i den ønskede position.
3. Stram hjælpegrebet (7) ved at dreje det med uret.

**Fjernelse**

1. Løsn hjælpegrebet (7) ved at skruet det mod uret.
2. Fjern hjælpegrebet (7).
3. Stram hjælpegrebet (7) ved at dreje det med uret.

**Montering og fjernelse af støvopsamleren (Fig. D)**

Støvopsamleren (8) forhindrer, at der kommer støv ind i maskinen, når der bores i lofter.



*Udskift straks en beskadiget støvopsamler (8).*

**Montering**

1. Om nødvendigt, så tag tilbehøret ud af patronen (4).
2. Glid støvopsamleren (8) over tilbehørets skaft.
3. Sæt tilbehøret med støvopsamleren (8) ind i patronen (4).

**Fjernelse**

1. Fjern tilbehøret med støvopsamleren (8) fra patronen (4).
2. Fjern støvopsamleren (8) fra tilbehøret.

**4. DRIFT**

*Hammerboringer kræver, at operatøren kun trykker meget lidt. Hvis der trykkes for meget på værktøjet, kan det føre til unødvendig overophedning af motoren samt svedning af det drevne værktøj. Det kan også ske, at boret bliver deformeret og ikke kan fjernes fra maskinen igen.*

**Tænding og slukning (Fig. A)**

- For at tænde for maskinen, tryk på tænd/slukkontakten (1).
- For at slukke maskinen, slip tænd/slukkontakten (1).

**Forudstillet hastighed (10)**

Den nødvendige hastighed kan forudstilles med drejeskiven. Under betjening kan rotationshastigheden ligeledes tilpasses.

1 - 2 = lav hastighed

3 - 4 = medium hastighed

5 - 6 = høj hastighed

Max = maksimum hastighed

Den nødvendige hastighed afhænger af materialet og kan afgøres ved at udføre praktiske test.

**Indstilling af betjeningsmodus (Fig. A & E)**

Kontakten til valg af bor (2) og stangen til valg af hammer (3) skal indstilles i overensstemmelse med den ønskede driftsmodus. Se tabellen og Fig. E nedenfor, for at indstille den ønskede driftsmodus.

**Indstilling driftsmodus (Fig. E)**

- A) Mejsling (mejselfunktion): til mejsling og mindre nedbrydningsopgaver.
- B) Hammerboring (med hammerfunktion): til boring i murværk, som f.eks. mursten, beton og lignende materiale.
- C) Boring (uden hammerfunktion): til boring i adskillige materialer.

Drej kontakten til valg af bor (2) og stangen til valg af hammer (3) til den ønskede position.

**Brugertips**

- Ved større huller, f.eks. i meget hård beton, skal du starte med at bruge et mindre bor til at udføre pilotboringen først, og derefter bore til nominel størrelse.



- Hold maskinen fast med 2 hænder. Vær opmærksom på, at boret kan sætte sig fast, og at maskinen dermed pludselig kan dreje (især når der bores dybe huller).
- Anvend ikke meget tryk på maskinen. Lad maskinen gøre arbejdet.
- Værktøjet har været misligholdt, misbrugt eller vedligeholdt forkert.
- Ikke originale reservedele er blevet anvendt.

Dette udgør den eneste garanti fra virksomheden enten udtrykt eller underforstået. Der er ingen andre garantier udtrykt eller underforstået, som strækker sig ud over forsiden heraf, heri, herunder underforståede garantier for salgbarhed og egnethed til et bestemt formål. VONROC vil under ingen omstændigheder være ansvarlig for hændelige skader eller følgeskader. Forhandlernes afhjælpningsmidler vil være begrænsede til reparation eller udskiftning af fejlbehæftede enheder eller dele.

## 5. VEDLIGEHOLDELSE



*Inden rengøring og vedligeholdelse skal maskinen altid slukkes, og netstikket skal tages ud af stikkontakten.*

Rengør maskinbeklædningerne regelmæssigt med en blød klud, helst efter hver anvendelse. Sørg for, at der ikke er støv eller snavs i ventilationsåbningerne. Fjern snavs, der sidder meget godt fast, med en blød klud, der er fugtet i sæbevand. Brug ikke opløsningsmidler, som f.eks. benzin, sprit, ammoniak osv. Kemikalier som disse beskadiger de syntetiske komponenter.

## MILJØ



*Defekte og/eller bortskaffede elektriske og elektroniske apparater skal afleveres på en passende genbrugsstation.*

### Kun for lande i EU

Maskinværktøj må ikke bortskaffes sammen med husholdningsaffald. Ifølge EU-direktiv 2012/19/EU om affald af elektrisk og elektronisk udstyr og dets gennemførelse i den nationale lovgivning skal maskinværktøjer, der ikke længere anvendes, afleveres separat og bortskaffes på en miljøvenlig måde.

## GARANTIVILKÅR

VONROC produkter er udviklet efter de højeste kvalitetsstandarder og er garanteret fri for mangler i såvel materialer som udførelse i den lovpligtige periode, der starter fra datoen for det oprindelige køb. Skulle produktet udvikle nogen fejl i løbet af denne periode på grund af defekte materialer og/eller fabrikationsfejl, så kontakt VONROC direkte.

De følgende forhold er udelukket fra denne garanti:

- Reparationer og eller rettelser er blevet foretaget eller forsøgt foretaget på maskinen af uautoriserede servicecentre.
- Normal slitage.

## 1. INSTRUKCJE BEZPIECZEŃSTWA

Przeczytać dołączone ostrzeżenia dotyczące bezpieczeństwa, dodatkowe ostrzeżenia dotyczące bezpieczeństwa oraz instrukcję. Nieprzestrzeganie ostrzeżeń dotyczących bezpieczeństwa oraz instrukcji może prowadzić do porażenia prądem, pożaru i/lub poważnych obrażeń ciała. Zachować ostrzeżenia dotyczące bezpieczeństwa oraz instrukcje na przyszłość.

Następujące symbole są umieszczone w instrukcji obsługi lub na produkcie:



*Przeczytać instrukcje obsługi.*



*Oznacza ryzyko obrażeń ciała, śmierci lub uszkodzenia narzędzia w razie nieprzestrzegania poleceń z instrukcji.*



*Ryzyko wyrzucenia przedmiotów w powietrze. Nie pozwalać osobom postronnym zbliżyć się do obszaru pracy.*



*Ryzyko porażenia prądem.*



*Niezwłocznie odłączyć wtyczkę zasilania sieciowego od gniazdka sieciowego, jeśli przewód zasilania sieciowego zostanie uszkodzony, a także na czas czyszczenia i konserwacji.*



*Zmienna prędkość elektroniczna.*



*Zawsze nosić okulary ochronne!  
Nosić ochronniki słuchu.*



*Nosć maskę przeciwpyłową.*



*Nosić rękawice ochronne.*



*Maszyna klasy II - Podwójna izolacja - Nie trzeba stosować wtyczek z uziemieniem.*



*Nie wyrzucać produktu do nieodpowiednich pojemników.*



*Produkt spełnia wymogi odpowiednich norm bezpieczeństwa podanych w dyrektywach UE.*

## OGÓLNE ZALECENIA DOTYCZĄCE BEZPIECZEŃSTWA



**UWAGA! Przeczytać wszystkie ostrzeżenia dotyczące bezpieczeństwa i wszystkie instrukcje.** Nieprzestrzeganie wszystkich poniższych instrukcji może być przyczyną porażenia prądem, pożaru i/lub poważnych obrażeń.

### Zachowaj poniższe instrukcje.

Termin „elektronarzędzia akumulatorowe” we wszystkich ostrzeżeniach zamieszczonych poniżej odnosi się do elektronarzędzi akumulatorowych zasilanych sieciowo (przewodowych) lub elektronarzędzi akumulatorowych działających na baterie (beprzewodowych).

#### 1) Obszar roboczy

- Obszar roboczy należy utrzymywać w czystości.** Powinien on być dobrze oświetlony. Nieład i złe oświetlenie mogą z łatwością doprowadzić do wypadku.
- Nie korzystaj z elektronarzędzi akumulatorowych w warunkach, w których łatwo może dojść do wybuchu, np. w obecności łatwopalnych cieczy, gazów lub pyłu.** Podczas pracy elektronarzędzi akumulatorowych powstają iskry, które mogą doprowadzić do zapłonu pyłu lub oparów.
- Dzieci i inne osoby postronne powinny pozostać w bezpiecznej odległości od pracującego urządzenia.** Rozproszenie uwagi może spowodować utratę kontroli nad urządzeniem.

#### 2) Bezpieczeństwo związane z elektrycznością

- Wtyczki elektronarzędzi akumulatorowych muszą być odpowiednie do danego gniazda. Pod żadnym pozorem nie należy modyfikować wtyczki w jakikolwiek sposób. Nie należy używać adapterów, które uziemiają elektronarzędzia akumulatorowe.** Stosowanie wtyczek nie poddanych modyfikacjom oraz odpowiednich gniazd zmniejsza ryzyko porażenia prądem.
- Należy unikać bezpośredniego kontaktu fizycznego z powierzchniami uziemionymi, takimi jak rury, grzejniki, kuchenki, lodówki.** Ryzyko porażenia prądem jest większe, jeśli ciało osoby obsługującej urządzenie jest uziemione.
- Nie należy wystawiać elektronarzędzi akumulatorowych na działanie deszczu lub wilgoci.** Dostanie się wody do wnętrza elektronarzędzia akumulatorowego zwiększy ryzyko porażenia prądem.

- d) **Nie należy używać przewodu w niewłaściwy sposób. Pod żadnym pozorem nie należy wykorzystywać przewodu do przenoszenia lub ciągnięcia elektronarzędzia akumulatorowego, ani do jego odłączania od sieci. Przewodu nie należy wystawiać na działanie ciepła, smarów. Powinien on znajdować się w bezpiecznej odległości od ostrych krawędzi i części ruchomych.** Przewody uszkodzone lub poplątane zwiększają ryzyko porażenia prądem.
- e) **Podczas korzystania z elektronarzędzia akumulatorowego na wolnym powietrzu, należy używać przewodu przedłużacza przystosowanego do użytku na zewnątrz.** Używanie przewodu nadającego się do użytku na wolnym powietrzu zmniejsza ryzyko porażenia prądem.
- f) **Jeśli obsługa elektronarzędzia w wilgotnym miejscu jest nieunikniona, użyć zasilania wyposażonego w wyłącznik różnicowo-prądowy.** Użycie wyłącznika różnicowo-prądowego zmniejsza ryzyko porażenia prądem.
- 3) Bezpieczeństwo osoby obsługującej urządzenie**
- a) **Przez cały czas należy mieć się na baczności, uważać na to, co się robi, a w czasie obsługi elektronarzędzia akumulatorowego postępować mając na uwadze zdrowy rozsądek. Urządzenia nie powinny obsługiwać osoby zmęczone lub będące pod wpływem narkotyków, alkoholu lub leków.** Chwila nieuwagi w czasie obsługi elektronarzędzi akumulatorowych może być przyczyną powstania poważnych obrażeń ciała.
- b) **Należy korzystać ze sprzętu ochronnego oraz zawsze nosić okulary ochronne.** Sprzęt ochronny, jak na przykład maska przeciwpyłowa, antypoślizgowe obuwie ochronne, kask lub słuchawki ochronne używany we właściwych sytuacjach pozwoli na zmniejszenie ryzyka obrażeń ciała.
- c) **Unikać niezamierzonego uruchomienia. Przed podłączeniem urządzenia do sieci, zawsze sprawdzić, czy przełącznik znajduje się w pozycji „wyłączony”.** Przenoszenie elektronarzędzi z palcem na przełączniku lub włączonych elektronarzędzi z przełącznikiem w położeniu włączenia jest bardzo niebezpieczne i może powodować wypadki.
- d) **Przed włączeniem elektronarzędzia akumulatorowego należy usunąć z niego wszystkie klucze nastawcze lub maszynowe.** Pozostawienie klucza zamocowanego na jednej z części obrotowych urządzenia może spowodować powstanie obrażeń ciała.
- e) **Nie należy sięgać ponad urządzeniem. Przez cały czas należy zachować odpowiednią równowagę i zapewnić odpowiednie oparcie dla stóp.** Pozwoli to na lepsze kontrolowanie urządzenia w nieoczekiwanych sytuacjach.
- f) **Należy nosić odpowiednie ubranie. Do pracy z urządzeniem nie wkładać luźnych ubrań ani biżuterii. Włosy, ubranie i rękawiczki trzymać z dala od części ruchomych.** Luźne części ubrania, biżuteria lub długie włosy mogą zostać wciągnięte przez części ruchome.
- g) **Jeśli w urządzeniu przewidziano elementy służące do odprowadzania i zbierania pyłu, należy sprawdzić, czy są podłączone, i czy działają we właściwy sposób.** Korzystanie z tego typu elementów pozwala ograniczyć ryzyko związane z wydzielaniem pyłu podczas pracy urządzenia.
- h) **Nie zezwalać na to, aby rutyna związana z częstym korzystaniem z narzędzi powodowała nadmierną pewność siebie i ignorowanie zasad bezpiecznego korzystania z narzędzi.** Nieodpowiedzialne działanie może spowodować poważne obrażenia ciała w ułamku sekundy.
- 4) Obsługa i konserwacja elektronarzędzi akumulatorowych**
- a) **Urządzenia nie należy przeciążać. Należy korzystać z narzędzia odpowiedniego do danego typu pracy.** Odpowiednio dobrane urządzenie pozwoli na lepsze i bezpieczniejsze wykonanie pracy, we właściwym dla urządzenia tempie.
- b) **Z elektronarzędzia akumulatorowego nie należy korzystać, jeśli nie można go włączyć i wyłączyć przy pomocy przełącznika.** Urządzenie, którego nie można kontrolować używając przełącznika jest niebezpieczne i powinno być oddane do naprawy.
- c) **Przed przystąpieniem do regulowania elektronarzędzi akumulatorowych, wymiany akcesoriów lub przygotowywania urządzeń do okresu przechowywania, należy odłączyć wtyczkę od źródła zasilania.** Tego typu środki ostrożności zmniejszają ryzyko przypadkowego uruchomienia urządzenia.
- d) **Nieczynnne elektronarzędzia akumulatorowe należy przechowywać poza zasięgiem dzieci. Nie należy pozwolić, aby osoby nie znające urządzenia lub niniejszych instrukcji obsługi-**

- wały urządzenie.** Elektronarzędzia akumulatorowe w rękach niekompetentnych użytkowników stanowią zagrożenie.
- e) **Elektronarzędzia akumulatorowe należy utrzymywać w dobrym stanie technicznym. Należy sprawdzać, czy części ruchome są właściwie założone, i czy się nie zacinają. Należy również sprawdzać, czy jakieś części nie są uszkodzone oraz sprawdzać wszelkie inne elementy, które mogą wpłynąć na pracę urządzeń. Jeśli urządzenie jest uszkodzone, przed przystąpieniem do jego użytkowania, należy je naprawić.** Często przyczyną wypadków jest zły stan techniczny urządzeń.
- f) **Narzędzia służące do cięcia powinny być naostrzone i utrzymywane w czystości.** Jeśli narzędzia służące do cięcia, które posiadają ostre krawędzie tnące, są właściwie konserwowane, istnieje mniejsze prawdopodobieństwo ich zacinania się. Ponadto, łatwiej je kontrolować.
- g) **Elektronarzędzia akumulatorowego, akcesoriów, nakładek, itp. należy używać zgodnie z niniejszymi instrukcjami oraz w sposób właściwy dla danego rodzaju urządzenia, z uwzględnieniem warunków pracy oraz jej rodzaju.** Używanie urządzenia niezgodnie z przeznaczeniem może prowadzić do powstania sytuacji niebezpiecznych.
- h) **Uchwyty należy utrzymywać w stanie suchym, czystym i niezabrudzonym olejem lub smarem.** Śliskie uchwyty i powierzchnie do chwytania nie pozwalają na bezpieczne obchodzenie się z narzędziem i panowanie nad nim w nieoczekiwanych sytuacjach.
- 5) Użytkowanie i konserwacja urządzenia zasilanego akumulatorkami**
- a) **Ładować tylko przy użyciu ładowarki określonej przez producenta.** Ładowarka przewidziana dla jednego rodzaju akumulatorów stwarza ryzyko pożaru w przypadku użycia jej z innym zestawem akumulatorów.
- b) **Należy używać jedynie akumulatorów przeznaczonych dla danego urządzenia.** Użycie innych akumulatorów stwarza ryzyko wystąpienia obrażeń ciała lub pożaru.
- c) **Kiedy akumulatorki nie są używane, należy przechowywać je z dala od przedmiotów metalowych, takich jak spinacze do papieru, monety, klucze, gwoździe, śruby lub inne niewielkie przedmioty metalowe, które mogłyby spowodować zwarcie pomiędzy stykami.** Zwarcie styków akumulatora może spowodować pożar.
- d) **W przypadku przeciążenia z akumulatorka może wycieknąć płyn; nie należy go dotykać. W razie przypadkowego kontaktu przemyć skórę wodą. W przypadku dostania się płynu do oczu należy skontaktować się z lekarzem.** Płyn z akumulatora może powodować podrażnienia lub oparzenia.
- e) **Nie używać uszkodzonego ani zmodyfikowanego akumulatora lub narzędzia.** Uszkodzone lub zmodyfikowane akumulatory mogą działać w sposób nieoczekiwany, co może powodować pożar, wybuch lub ryzyko obrażeń ciała.
- f) **Nie wystawiać akumulatora ani narzędzia na działanie płomienia lub zbyt wysokiej temperatury.** Narażenie na działanie płomienia lub temperatury powyżej 130°C może spowodować wybuch. UWAGA Temperaturę „130 °C“ można zastąpić temperaturą „265 °F“.
- g) **Przestrzegać wszystkich instrukcji ładowania i nie ładować akumulatora ani narzędzia poza zakresem temperatury podanym w instrukcji.** Nieprawidłowe ładowanie lub ładowanie w temperaturze poza podanym zakresem może spowodować uszkodzenie akumulatora i zwiększyć ryzyko pożaru.
- 6) Serwis**
- a) **Zlecać serwisowanie elektronarzędzie wykwalifikowanemu technikowi stosującymi jedynie części zamienne identyczne z oryginalnymi.** Zapewni to zachowanie bezpieczeństwa elektronarzędzia.
- b) **Nigdy nie serwisować uszkodzonych akumulatorów.** Serwisowanie akumulatorów może przeprowadzać wyłącznie producent lub autoryzowany serwis.

#### **DODATKOWE OSTRZEŻENIA DOTYCZĄCE BEZPIECZEŃSTWA DLA MŁOTOWIERTAREK**

- a) **Nosić ochronniki słuchu.** Ekspozycja na hałas może powodować utratę słuchu.
- b) **Stosować uchwyt(y) pomocniczy(e), jeśli został(y) dołączony(e) do narzędzia.** Utrata panowania nad narzędziem może powodować obrażenia ciała.
- c) **Trzymać elektronarzędzie za izolowane powierzchnie chwytania podczas wykonywania pracy, podczas której osprzęt tnący może zetknąć się z ukrytym okablowaniem lub przewodem elektronarzędzia.** Zetknięcie się osprzętu tnącego

z przewodem pod napięciem może sprawić, że odsonięte metalowe części narzędzia również będą pod napięciem i spowodować porażenie operatora prądem.

### Bezpieczeństwo elektryczne



Zawsze sprawdzać, czy napięcie zasilania jest zgodne z napięciem podanym na tabliczce znamionowej.

- Nie używać urządzenia, jeśli jego kabel zasilający jest uszkodzony lub wtyczka kabla zasilającego jest uszkodzona.
- Używać wyłącznie przedłużaczy przystosowanych do pracy z parametrami zasilania urządzenia o minimalnej grubości 1,5 mm<sup>2</sup>. W przypadku korzystania z przedłużacza w zwoju, zawsze całkowicie rozwinąć zwój.

## 2. INFORMACJE O MASZYNIE

### Przeznaczenie

Młotowiertarka jest przeznaczona do wiercenia udarowego otworów w murach wykonanych np. z cegły, betonu i podobnych materiałów. Urządzenie służy do wiercenia obrotowego w drewnie, metalu, materiałach ceramicznych i tworzywach sztucznych. Ponadto, maszyny można używać w trybie kucia jako młota wyburzeniowego w połączeniu z dołączonymi do zestawu dłutami SDS. Maszyna pod żadnym pozorem nie jest przeznaczona do innych zastosowań.



Nie przeznaczona do użytkowania na placu budowy.

### DANE TECHNICZNE

Nr modelu	RH504AC
Napięcie w sieci elektrycznej	230 V ~
Częstotliwość sieciowa	50Hz
Moc pobierana	1500W
Obroty bez obciążenia	0-860 /min
Częstotliwość udaru	0-4250 /min
Maks. średnica wiertła	
- Beton	Ø 32 mm
- Stal	Ø 13 mm
- Drewno	Ø 42 mm
Masa	5,2 kg

Ciśnienie akustyczne (LPA)	92,7dB(A) K=3 dB(A)
Moc akustyczna (LWA)	103,7dB(A) K=3 dB(A)
<b>Drgania</b>	
Wiercenie udarowe w betonie a <sub>R,HD</sub>	17,360m/s <sup>2</sup> K=1,5m/s <sup>2</sup>
Kucie a <sub>R,ChEQ</sub>	13,334 m/s <sup>2</sup> K=1,5m/s <sup>2</sup>

### Poziom drgań

Poziom emisji drgań podany w tej instrukcji obsługi został zmierzony zgodnie ze standaryzowanym testem podanym w normie EN60745; może on służyć do porównywania narzędzi ze sobą oraz do wstępnego oszacowania ekspozycji na drgania podczas użytkowania narzędzia do podanych zastosowań.

- używanie narzędzia do innych zastosowań lub z innymi lub źle konserwowanymi akcesoriami może znacząco zwiększać poziom ekspozycji.
- okresy, gdy narzędzie jest wyłączone lub okresy, gdy jest włączone, ale nie pracuje, mogą znacząco zmniejszać poziom ekspozycji.

Chronić się przed wpływem drgań, konserwując odpowiednio narzędzie i akcesoria, utrzymując ciepłotę dłoni oraz odpowiednio organizując pracę.

### OPIS

Liczby w tekście odnoszą się do rysunków na stronach 2-3.

1. Przełącznik wł./wył.
2. Przełącznik wyboru wiertła
3. Dźwignia wyboru młotka
4. Uchwyt
5. Tuleja blokująca
6. Główny uchwyt
7. Uchwyt pomocniczy
8. Kolektor pyłu
9. Punkt smarowania
10. Pokrętło regulacji elektronicznej kontroli obrotów

## 3. MONTAŻ



Przed rozpoczęciem montażu zawsze wyłączać maszynę i wyjmować wtyczkę zasilania sieciowego z gniazdka.

### Montaż i zdejmowanie akcesorium (Rys. B)



Przeostroża: wiertła i dłuta mogą się bardzo nagrzewać.



Nie używać tępych wiertel lub dłut.  
Natychmiast naostrzyć lub wymienić tępe  
wiertło lub dłuto.

#### Montaż

1. Nałożyć kilka kropel oleju na wał akcesorium.
2. Przesunąć tuleję blokującą (5) do tyłu.
3. Włożyć akcesorium do uchwytu (4).
4. Zabezpieczyć akcesorium przekręcając go w lewo do momentu, gdy zablokuje się w wymaganej pozycji.
5. Odkręcić tuleję blokującą (5).

#### Zdejmowanie

1. Przesunąć tuleję blokującą (5) do tyłu.
2. Wyjąć akcesorium z uchwytu (4).
3. Odkręcić tuleję blokującą (5).

#### Montaż i zdejmowanie uchwytu pomocniczego (Rys. C)

##### Montaż

1. Poluzować uchwyt pomocniczy (7) odkręcając go w lewo.
2. Zamontować uchwyt pomocniczy (7) przesuwając go w kierunku uchwytu (4).
3. Obrócić uchwyt pomocniczy (7) w wymagane położenie.
4. Dokręcić uchwyt pomocniczy (7) przekręcając go w prawo.

##### Zdejmowanie

1. Poluzować uchwyt pomocniczy (7) przekręcając go w lewo.
2. Zdjąć uchwyt pomocniczy (7).
3. Dokręcić uchwyt pomocniczy (7) przekręcając go w prawo.

#### Montaż i zdejmowanie kolektora pyłu (Rys. D)

Kolektor pyłu (8) uniemożliwia przedostawanie się pyłu do wnętrza urządzenia podczas wiercenia w suficie.



Natychmiast wymienić uszkodzony kolektor  
pyłu (8).

#### Montaż

1. W razie potrzeby, wyjąć osprzęt z uchwytu (4).
2. Przesunąć kolektor pyłu (8) ponad wał osprzętu.
3. Włożyć akcesorium wraz z kolektorem pyłu (8) do uchwytu (4).

#### Zdejmowanie

1. Wyjąć akcesorium wraz z kolektorem pyłu (8) z uchwytu (4).
2. Wyjąć kolektor pyłu (8) z akcesorium.

## 4. OBSŁUGA



Młotowiertarki wymagają stosowania bardzo niewielkiego nacisku przez operatora. Nadmierny nacisk wywierany na narzędzie może prowadzić do niepotrzebnego przegrzewania silnika oraz spalenia napędzanego narzędzia. Może również dojść do deformacji wiertła, co uniemożliwi jego wyjęcie z maszyny.

#### Włączanie i wyłączanie (Rys. A)

- Aby włączyć urządzenie, nacisnąć przełącznik wł./wył. (1).
- Aby wyłączyć urządzenie, zwolnić przełącznik wł./wył. (1).

#### Wstępny wybór obrotów (10)

Wymagane obroty można wybrać z wyprzedzeniem korzystając z pokrętki. Obroty można również regulować podczas pracy.

1 - 2 = niskie obroty  
3 - 4 = średnie obroty  
5 - 6 = wysokie obroty  
Max = obroty maksymalne

Wymagane obroty zależą od materiału i można je ustalić w praktyce.

#### Ustawianie trybu pracy (Rys. A & E)

Przełącznik trybu wiertła (2) oraz dźwignia funkcji młotka (3) muszą zostać ustawione zgodnie z wymaganym trybem pracy. Prosimy zapoznać się z tabelą i Rys. E poniżej, w celu wybrania właściwego trybu pracy.

#### Ustawienia tryb pracy (Rys. E)

A) Kucie (funkcja dłuta): do kucia i drobnych robót wyburzeniowych.

- B) Wiercenie udarowe (z funkcją udu): do wiercenia w murach wykonanych np. z cegły, betonu i podobnych materiałów.
- C) Wiercenie obrotowe (bez funkcji udu): do wiercenia w różnych materiałach.

Przekręcić przełącznik trybu wiertła (2) oraz dźwignię funkcji młotka (3) w wymagane położenie.

#### Porady dla użytkownika

- W przypadku dużych otworów, na przykład w bardzo twardym betonie, użyć najpierw mniejszego wiertła w celu wykonania otworu wstępnego, a następnie użyć wiertła o docelowej średnicy.
- Trzymać maszynę mocno dwiema rękami. Pamiętaj, że wiertło może utknąć, a z tego powodu maszyna może się nagle obrócić (szczególnie podczas wiercenia głębokich otworów).
- Nie dociskać mocno maszyny, tylko pozwolić jej wykonać swoją pracę.

## 5. KONSERWACJA



*Zawsze odłączyć narzędzie od zasilania sieciowego przed rozpoczęciem przeprowadzania jakichkolwiek prac konserwacyjnych.*

Czyścić obudowę maszyny regularnie miękką ściereczką, najlepiej po każdym użyciu. Dopilnować, aby otwory wentylacyjne były wolne od pyłu, kurzu i zabrudzeń. Usuwać odporne zabrudzenia miękką ściereczką zwilżoną mydlinami. Nie używać żadnych rozpuszczalników, takich jak benzyna, alkohol, amoniak itp. Takie substancje chemiczne spowodują uszkodzenie części z tworzyw sztucznych.

## SRODOWISKO



*Uszkodzone i/lub niepotrzebne urządzenia elektryczne lub elektroniczne podlegają zbiorce w odpowiednich punktach recyklingu.*

#### Tylko kraje WE

Nie wyrzucać elektronarzędzi wraz z odpadami z gospodarstw domowych. Zgodnie z dyrektywa 2012/19/WE dotycząca zużytych urządzeń elektrycznych i elektronicznych oraz jej wdrożeniem do prawodawstwa krajowego, elektronarzędzia, które już nie nadają się do użytku, podlegają oddziel-

nej zbiorce oraz utylizacji w sposób przyjazny dla środowiska.

## GWARANCJA

Produkty VONROC są wytwarzane zgodnie z najwyższymi standardami jakości i producent udziela gwarancji na wady materiałowe i wady wykonania na okres wymagany prawem, licząc od dnia zakupu. Jeśli wystąpi usterka produktu w tym okresie spowodowana wadą materiałową i/lub wadą wykonania, proszę bezpośrednio skontaktować się ze sprzedawcą VONROC.

Następujące okoliczności powodują unieważnienie gwarancji:

- Przeprowadzono naprawy lub modyfikacje narzędzia w serwisie innym lub autoryzowany lub podjęto ich próbę;
- Normalne zużycie nie jest objęte gwarancją;
- Narzędzie było używane niezgodnie z przeznaczeniem, źle z nim się obchodzono lub było nieprawidłowo konserwowane;
- Użyto części zamiennych innych niż oryginalne.

Niniejsza gwarancja to wyłączna gwarancja producenta i nie obowiązują żadne inne wyrażone ani dorozumiane gwarancje. Nie obowiązują żadne inne wyrażone ani dorozumiane gwarancje o zakresie przekraczającym niniejszą gwarancję, co obejmuje dorozumiane gwarancje przydatności do sprzedaży i przydatności do określonego celu. W żadnym przypadku firma VONROC nie ponosi odpowiedzialności za straty przypadkowe lub wynikowe. Zadośćuczynienie sprzedawcy jest ograniczone do naprawy lub wymiany niezgodnych urządzeń lub części.

**Produkt i instrukcja obsługi podlegają zmianom. Dane techniczne podlegają zmianom bez uprzedzenia.**



## 1. INSTRUCȚIUNI DE SIGURANȚĂ

Citiți avertizările de siguranță, avertizările de siguranță suplimentare și instrucțiunile. Nerespectarea avertizărilor de siguranță poate cauza producerea de electrocutări, incendii și/sau răni grave. Păstrați avertizările de siguranță și instrucțiunile pentru referințe viitoare.

În manualul de utilizare sau pe produs se utilizează următoarele simboluri:



*Citiți manualul de utilizare.*



*Indică riscul de rănire personală, pierderea vieții sau deteriorarea încălzitorului în cazul în care nu se respectă instrucțiunile din acest manual.*



*Pericol de obiecte zburătoare. Nu permiteți accesul altor persoane în zona de lucru.*



*Pericol de electrocutare.*



*În cazul în care cablul de alimentare se deteriorează și în timpul procedurilor de curățare și de întreținere deconectați imediat fișa de la priza de rețea.*



*Turație variabilă electronic.*



*Purtați ochelari de protecție.  
Purtați protecții antifonice.*



*Purtați o mască antipraf.*



*Purtați mănuși de protecție.*



*Mașină clasa II - Izolație dublă - Nu aveți nevoie de nicio priză de împământare.*



*Nu scoateți din uz produsul în containere neadecvate.*



*Produsul este în conformitate cu standardele de siguranță aplicabile din directivele europene.*

## REGULI GENERALE DE PROTECȚIA MUNCII



**AVERTISMENT! Citiți toate avertizările de siguranță și toate instrucțiunile.** Respectarea tuturor instrucțiunilor prezentate în cele ce urmează este obligatorie pentru evitarea riscurilor de electrocutare, incendiu și/sau de vătămări grave.

### Pă strați aceste instrucțiuni.

Termenul "sculă electrică" ce apare în toate avertismentele de mai jos se referă la scula electrică alimentată la priză (prin cablu de alimentare) sau la scula electrică alimentată prin acumulatori (fără cablu de alimentare).

#### 1) Spațiul de lucru

- a) **Mențineți spațiul de lucru curat și bine iluminat.** Spațiile de lucru dezordonate și întunecate predisun la accidente.
- b) **Nu utilizați sculele electrice în medii explozive, ca de exemplu în prezența unor materiale inflamabile cum ar fi lichide, gaze sau praf.** Sculele electrice produc scânteii, care pot aprinde praful sau vaporii.
- c) **În timpul lucrului cu o sculă electrică, nu lăsați copiii sau privorii să se apropie.** Micșorarea atenției vă poate face să pierdeți controlul.

#### 2) Securitatea din punct de vedere electric

- a) **Ștecherile sculelor electrice trebuie să se potrivescă în priza de alimentare. Nu modificați ștecherul niciodată și în nici un fel. Nu folosiți ștechere de adaptare pentru sculele electrice cu legare la pământ (împământate).** Ștecherile nemodificate și prizele de alimentare corespunzătoare vor reduce riscul de electrocutare.
- b) **Evitați contactul corporal cu suprafețele împământate, cum ar fi conducte, radiatoare, plite sau frigider.** Există un risc sporit de electrocutare în cazul în care corpul dumneavoastră este legat la pământ.
- c) **Nu expuneți sculele electrice la ploaie sau la umezeală.** În urma intrării apei într-o sculă electrică va crește riscul de electrocutare.
- d) **Nu forțați cablul de alimentare. Nu folosiți niciodată cablul de alimentare pentru transportul, tragerea sau scoaterea din priză a sculei electrice. Țineți cablul de alimentare departe de sursele de căldură, petrol, vârfuri ascuțite sau de piese în mișcare.** Cablurile de alimentare deteriorate sau încălcite duc la creșterea



riscului de electrocutare.

- e) **Atunci când folosiți o sculă electrică în exterior, utilizați un prelungitor corespunzător lucrului în exterior.** Utilizarea unui prelungitor corespunzător lucrului în exterior reduce riscul de electrocutare.
- f) **În cazul în care operarea unei unelte electrice într-un spațiu cu umiditate nu poate fi evitată, utilizați o alimentare cu dispozitiv de protecție la curent rezidual (RCD).** Utilizarea unui dispozitiv RCD reduce riscul electrocutării.

### 3) Securitatea personală

- a) **Atunci când folosiți o sculă electrică fiți concentrat, fiți atent la ceea ce faceți și acționați conform bunului simț. Nu folosiți o sculă electrică atunci când sunteți sub influența drogurilor, alcoolului sau a medicamentelor.** Un moment de neatenție în timpul utilizării sculelor electrice poate duce la vătămări personale grave.
- b) **Utilizați echipamentul de protecție corporală. Folosiți întotdeauna ochelari de protecție.** Folosirea echipamentelor de protecție conform condițiilor de lucru, ca de exemplu măști de praf, încălțăminte de protecție anti-alunecare, căști de protecție sau antifoane va reduce vătămările personale.
- c) **Evitați pornirea accidentală. Înainte de a introduce scula electrică în priza de alimentare, asigurați-vă că aveți comutatorul de acționare în poziția oPRiT (off).** Transportarea uneltelor electrice ținând degetul pe întrerupător sau alimentarea cu tensiune a uneltelor electrice ce au întrerupătorul în poziția pornit înlesnesc producerea.
- d) **Înainte de a pune în funcțiune scula electrică, îndepărtați toate penele sau cheile de reglare.** O cheie sau o pană care au fost lăsate atașate de o parte rotativă a sculei electrice poate duce la vătămări personale.
- e) **Nu vă întindeți pentru a ajunge la punctul de lucru.** Mențineți permanent un contact ferm al piciorului și un echilibru stabil. În acest fel puteți controla mai bine scula electrică în situații neprevăzute.
- f) **Îmbrăcați-vă în mod adecvat. Nu purtați haine largi sau bijuterii. Părul, hainele și mânușile trebuie menținute departe de părțile în mișcare.** Hainele largi, părul și bijuteriile pot fi agățate și prinse de părțile în mișcare.
- g) **Dacă dispozitivele sunt construite pentru a**

**fi conectate la echipamente de extragere și colectare a prafului, asigurați-vă că aceste echipamente sunt conectate și funcționează corect.** Folosirea unor astfel de echipamente poate reduce pericolele legate de praf.

- h) **Nu lăsați ca obișnuința obținută prin utilizarea frecventă a uneltelor să vă permită să deveniți impasibil și să ignorați principiile de siguranță în utilizarea uneltelor.** O acțiune neglijentă poate provoca accidente grave într-o fracțiune de secundă.
- ### 4) Utilizarea și întreținerea sculei electrice
- a) **Nu forțați scula electrică. Folosiți scula electrică adecvată operațiunii care trebuie efectuată.** O sculă electrică adecvată își va efectua mai bine și mai în siguranță sarcina deoarece este folosită la parametrii pentru care a fost proiectată.
  - b) **Nu folosiți scula electrică în cazul în care comutatorul de acționare nu realizează pornirea și oprirea acesteia.** Orice sculă electrică ce nu poate fi comandată cu ajutorul comutatorului de acționare este periculoasă și trebuie reparată.
  - c) **Înainte de a efectua orice fel de reglaje, schimbări ale accesoriilor sau pe perioada depozitării sculelor electrice deconectați ștecherul de la sursa de energie electrică.** Astfel de măsuri preventive reduc riscul de pornire accidentală a sculei electrice.
  - d) **Nu depozitați sculele electrice neutilizate la îndemâna copiilor și nu permiteți persoanelor care nu sunt familiare cu sculele electrice sau cu prezentele instrucțiuni să le utilizeze.** Sculele electrice sunt periculoase atunci când sunt utilizate de către persoane neinstruite.
  - e) **Întrețineți sculele electrice. Verificați alinierea sau prinderea părților în mișcare, verificați componentele sculei pentru a vă asigura că nu sunt sparte și, de asemenea, verificați orice alte situații care ar putea afecta funcționarea sculei electrice. Dacă scula electrică se defectează, reparați-o înainte de a o refolosi.** Sculele electrice întreținute necorespunzător duc la producerea multor accidente.
  - f) **Mențineți sculele așchietoare ascuțite și curate.** Sculele așchietoare întreținute corespunzător, având muchiile tăietoare ascuțite, se înțepesc mai greu și sunt mai ușor de controlat.
  - g) **Utilizați sculele electrice, accesoriile și burghiile etc., în conformitate cu prezentele instrucțiuni și în mod corespunzător tipului de sculă**

- electrică utilizat, ținând seama de condițiile de lucru și de sarcina care trebuie efectuată.** Utilizarea unor scule electrice pentru operații diferite de cele pentru care acestea au fost proiectate poate duce la situații periculoase.
- h) **Țineți mânerele și suprafețele de prindere uscate, curate și lipsite de ulei și unsoare.** Mânere și suprafețele de prindere alunecoase nu permit manipularea și controlul uneltei în de siguranță în situații neașteptate.
- 5) **Utilizarea și întreținerea uneltei cu acumulator**
- a) **Încărcați din nou numai cu încărcătorul specificat de producătorul.** Încărcătorul potrivit cu un tip de acumulator poate crea riscul incendiului dacă este utilizat cu un alt acumulator.
- b) **Folosiți instrumentele electrice numai cu acumuloare proiectate specific.** Utilizarea oricăror alte acumuloare pot crea riscul accidentalului personal și al incendiului.
- c) **În timp ce acumulatorul nu este utilizat, feriți-l de alte obiecte metalice cum ar fi cleme de birou, monede, chei, cuie, șuruburi ori alte obiecte metalice mărunte care ar putea crea conexiunea de la un terminal până la celălalt.** Scurtcircuitarea terminalelor baterii poate cauza arsuri sau incendii.
- d) **Ca urmare a folosirii necorespunzătoare, din acumulator se poate scurge lichid. Evitați contactul cu acesta. În caz de contact accidental, clătiți cu apă. Dacă lichidul intră în contact cu ochi, pe lângă măsurile amintite consultați și un medic.** Lichidul care se scurge din acumulator poate provoca iritarea pielii sau arsuri.
- e) **Nu folosiți un acumulator sau o unealtă care este deteriorată sau modificată.** Acumulatorii deteriorați sau modificați pot avea un comportament imprevizibil care rezultă în foc, explozie sau risc de rănire.
- f) **Nu expuneți acumulatorul sau unealta la foc sau temperatură excesivă.** Expunerea la foc sau temperaturi de peste 130 °C poate provoca explozie. OBSERVAȚIE Temperatura „130 °C” poate fi înlocuită cu temperatura „265 °F”.
- g) **Respectați toate instrucțiunile de încărcare și nu încărcați acumulatorul sau unealta în afara intervalului de temperatură specificat în instrucțiuni.** Încărcarea necorespunzătoare sau la temperaturi în afara domeniului specificat poate deteriora acumulatorul și poate crește riscul de incendii.

## 6) Service

- a) **Prevedeți repararea uneltei de lucru de către o persoană calificată, folosind exclusiv piese de schimb identice.** Astfel, vă asigurați că este păstrată siguranța uneltei electrice.
- b) **Niciodată nu serviți acumulatorii deteriorați.** Servisarea acumulatorilor ar trebui să fie efectuată numai de către producător sau furnizorii autorizați de service.

## AVERTIZĂRI DE SIGURANȚĂ SUPLIMENTARE PENTRU CIOCANELE ROTOPERCUTOARE

- a) **Purtați protecții antifonice.** Expunerea la zgomot poate determina pierderea auzului.
- b) **Utilizați mânerul(ele) auxiliare, dacă au fost furnizate împreună cu scula.** Pierderea controlului poate duce la rănire personală.
- c) **Țineți scula numai de suprafețele de prindere izolate atunci când efectuați o operație în care accesoriul de tăiere ar putea atinge cablajele ascunse sau cablul de alimentare.** Dacă accesoriul atinge un cablu „sub tensiune”, și părțile metalice expuse ale sculei electrice se vor afla „sub tensiune”, ceea ce poate provoca electrocutarea operatorului.

### Siguranța electrică



*Verificați întotdeauna ca tensiunea de la alimentare cu energie să corespundă tensiunii de pe plăcuța cu specificații.*

- Nu utilizați mașina în cazul în care cablul de alimentare și/sau fișa acestuia sunt deteriorate.
- Folosiți numai cabluri prelungitoare adecvate pentru puterea mașinii cu o grosime minimă de 1,5 mm<sup>2</sup>. Dacă utilizați o bobină de cablu de extensie, derulați întotdeauna complet cablul.

## 2. INFORMAȚII CU PRIVIRE LA MAȘINĂ

### Domeniul de utilizare

Acest ciocan rotopercurtor este conceput pentru lucrări de perforare în zidărie din cărămidă, beton și materiale similare. Este, de asemenea, adecvat pentru găurirea în lemn, metal, ceramică și materiale plastice. În afară de această, mașina poate fi folosită și ca ciocan de demolare în combinație cu SDS de dăltuire din livrare. Mașina nu este concepută în nici un caz pentru alte scopuri.



Nu este potrivit pentru folosire pe șantieri de construcții.

## SPECIFICAȚII TEHNICE

Nr. model	RH504AC
Tensiune rețea	230 V ~
Frecvența prizei	50Hz
Puterea de alimentare	1500W
Turație la mers în gol	0-860 /min
Viteza percuții	0-4250 /min
Diametru accesorii maxim	
- Beton	Ø 32 mm
- Oțel	Ø 13 mm
- Lemn	Ø 42 mm
Greutate	5,2 kg
Presiune sonoră (LPA)	92,7dB(A) K=3 dB(A)
Putere acustică (LWA)	103,7dB(A) K=3 dB(A)
<b>Vibrație</b>	
Găurire cu percuție în beton $a_{h,H/D}$	17,360m/s <sup>2</sup> K=1,5m/s <sup>2</sup>
Dăltuire $a_{h,Cheq}$	13,334 m/s <sup>2</sup> K=1,5m/s <sup>2</sup>

### Nivelul vibrațiilor

Nivelul emisiilor de vibrații menționat în acest manual de instrucțiuni a fost măsurat în conformitate cu un test standardizat precizat în EN60745; poate fi folosit pentru a compara o sculă cu alta și ca evaluare preliminară a expunerii la vibrații atunci când folosiți scula pentru aplicațiile menționate:

- utilizarea sculei pentru aplicații diferite sau cu accesorii diferite și prost întreținute, poate crește semnificativ nivelul de expunere;
- momentele în care scula este oprită sau când funcționează dar nu execută nicio lucrare, pot reduce semnificativ nivelul de expunere.

Protejați-vă împotriva efectelor vibrațiilor prin întreținerea sculei și a accesoriilor sale, păstrând mâinile calde și organizând procesele de lucru.

### DESCRIERE

Numerele din text se refera la diagramele de la paginile 2-3.

- Întrerupător pornit/oprit
- Întrerupător selector de găurire
- Mâner selector de percuție
- Mandrină

- Manșon de blocare
- Mâner principal
- Mâner auxiliar
- Colectorul de praf
- Punct de ungere
- Disc de reglare pentru controlul electronic al turației

## 3. ASAMBLAREA



Înainte de asamblare, opriți alimentarea electrică a mașinii și deconectați fișa cablului de alimentare de la priza de rețea.

### Montarea și îndepărtarea accesoriului (Fig. B)



Atenție: burghiile și daltele se pot încălzi foarte tare.



Nu utilizați burghie sau dălți tocite. Ascuțiți sau înlocuiți imediat burghiile sau dălțile tocite.

### Montarea

- Aplicați câteva picături de ulei pe axul accesoriului.
- Glisați manșonul de blocare (5) în spate.
- Introduceți accesoriul în mandrină (4).
- Fixați accesoriul rotindu-l în sens invers acelor de ceasornic până când se blochează în poziție.
- Eliberați manșonul de blocare (5).

### Îndepărtarea

- Glisați manșonul de blocare (5) în spate.
- Îndepărtați accesoriul din mandrină (4).
- Eliberați manșonul de blocare (5).

### Montarea și îndepărtarea mânerului auxiliar (Fig. C)

#### Montarea

- Slăbiți mânerul auxiliar (7) rotindu-l în sens invers acelor de ceasornic.
- Montați mânerul auxiliar (7) prin glisarea peste mandrină (4).
- Rotiți mânerul auxiliar (7) în poziția necesară.
- Strângeți mânerul auxiliar (7) rotindu-l în sensul acelor de ceasornic.

#### Îndepărtarea

- Slăbiți mânerul auxiliar (7) rotindu-l în sens invers acelor de ceasornic.
- Îndepărtați mânerul auxiliar (7).

- Strângeți mânerul auxiliar (7) rotindu-l în sensul acelor de ceasornic.

#### Montarea și îndepărtarea colectorului de praf (Fig. D)

Colectorul de praf (8) previne pătrunderea prafului în interiorul mașinii în timpul găuririi în plafoane.



*Înlocuiți imediat un colector de praf (8) deteriorat.*

#### Montarea

- Dacă este necesar, îndepărtați accesoriul din mandrină (4).
- Glișați colectorul de praf (8) peste axul accesoriului.
- Introduceți accesoriul cu colectorul de praf (8) în mandrină (4).

#### Îndepărtarea

- Îndepărtați accesoriul cu colectorul de praf (8) din mandrină (4).
- Îndepărtați colectorul de praf (8) de pe accesoriu.

## 4. OPERAREA



*Ciocanele rotopercutoare necesită o presiune mică din partea operatorului. Presiunea excesivă aplicată pe scula poate duce la supraîncălzirea nedorită a motorului și arderea aparatului acționat. De asemenea, accesoriile de perforare se pot deforma și nu mai pot fi extrase din mașină.*

#### Pornirea și oprirea (Fig. A)

- Pentru pornirea mașinii, apăsați pe întrerupătorul pornit/oprit (1).
- Pentru oprirea mașinii, eliberați întrerupătorul pornit/oprit (1).

#### Preselecția turației (10)

Turația necesară poate fi preselectată de la butonul de reglare. De asemenea, turația poate fi reglată în timpul utilizării.

- 1 - 2 = turație redusă
- 3 - 4 = turație medie
- 5 - 6 = turație mare
- Max = turație maximă

Turația necesară depinde de material și poate fi determinată prin teste practice.

#### Fixarea modului de funcționare (Fig. A & E)

Întrerupătorul selector de găurire (2) și mânerul selector de percuție (3) trebuie fixate în funcție de modul de funcționare necesar. Consultați tabelul de mai jos și figura E pentru a seta modul de funcționare necesar.

#### Fixarea Mod de funcționare (Fig. E)

- Spargere (funcția dălții): pentru lucrări mici de spargere și demolare.
- Găurirea cu percuție (cu funcție de percuție): pentru găurirea în zidărie, cum ar fi cărămida, betonul și materialul similar.
- Găurire (fără funcție de percuție): pentru găurirea mai multor materiale.

Rotiți întrerupătorul selector de găurire (2) și mânerul selector de percuție (3) la poziția necesară.

#### Sfaturi pentru utilizator

- În cazul orificiilor mari, cum ar fi în beton foarte dur, începeți prin utilizarea unui burghiu mai mic pentru găurirea pilot, apoi executați mărimea dorită.
- Țineți bine mașina cu 2 mâini. Țineți cont de faptul că burghiul se poate bloca din acest motiv, mașina se poate roti brusc (mai ales la executarea orificiilor adânci).
- Nu aplicați presiune excesivă asupra mașinii, lăsați mașina să execute operația.

## 5. ÎNTREȚINERE



*Înainte de asamblare, opriți alimentarea electrică a mașinii și deconectați fișa cablului de alimentare de la priza de rețea.*

Curățați regulat carcasa cu o cârpă moale, de preferat după fiecare utilizare. Curățați fantele de aerisire de praf și murdărie. Îndepărtați murdăria persistentă cu o cârpă moale înmuiată în clăbuci de săpun. Nu folosiți solvenți precum benzină, alcool, amoniac, etc. Astfel de substanțe chimice vor deteriora componentele sintetice.

## MEDIU ÎNCONJURĂTOR



*Aparatele electrice sau electronice deteriorate si/sau defecte trebuie colectate în locurile de reciclare corespunzatoare.*

### Numai pentru tarile din CE

Nu aruncati echipamentele actionate electric împreuna cu gunoiul menajer. Conform Indicatiei europene 2012/19/EU pentru echipamente electrice si electronice uzate si a implementarii sale la nivel national, echipamentele actionate electric scoase din uz trebuie colectate separat si evacuate într-o maniera ecologica.

## GARANȚIE

Produsele VONROC sunt realizate la cele mai inalte standarde de calitate și sunt garantate in privința materialelor și a manoperei pentru intreaga perioadă de utilizare in garanție, incepand cu data achiziției. In cazul in care produsul se defectează in timpul perioadei de utilizare, contactați direct VONROC.

Următoarele circumstanțe sunt excluse de la această garanție:

- Reparațiile sau modificările care realizate sau care s-au incercat a fi efectuate de centre de service neautorizate.
- Uzura in condiții normale.
- Unealta care a fost abuzată, utilizată intr-un mod neglijent sau întreținută in mod inadecvat.
- Folosirea unor piese de schimbe neoriginale.

Aceasta acoperă garanția companiei, explicită sau implicită. Nu există alte garanții explicite sau implicite care să se extindă dincolo de cele indicate aici, incluzand garanțiile, vandabilitatea sau adecvarea pentru un anumit scop. In nicio situație, VONROC nu este responsabil pentru daunele incidentale sau consecvențiale. Reparațiile efectuate de reprezentant trebuie să fie limitate la reparațiile sau la inlocuirea unităților sau a pieselor neconforme.

**Produsul și manualul de utilizare pot suferi modificări. Specificațiile se pot modifica fără notificare prealabilă.**





## DECLARATION OF CONFORMITY RH504AC - ROTARY HAMMER

- (EN) We declare under our sole responsibility that this product is in conformity with directive 2011/65/EU of the European parliament and of the council of 8 June on the restriction of the use of certain hazardous substances in electrical and electronic equipment is in conformity and accordance with the following standards and regulations:
- (DE) Der Hersteller erklärt eigenverantwortlich, dass dieses Produkt der Direktive 2011/65/EU des Europäischen Parlaments und des Rats vom 8. Juni 2011 über die Einschränkung der Anwendung von bestimmten gefährlichen Stoffen in elektrischen und elektronischen Geräten entspricht. den folgenden Standards und Vorschriften entspricht:
- (NL) Wij verklaren onder onze volledige verantwoordelijkheid dat dit product voldoet aan de conform Richtlijn 2011/65/EU van het Europees Parlement en de Raad van 8 juni 2011 betreffende beperking van het gebruik van bepaalde gevaarlijke stoffen in elektrische en elektronische apparatuur en in overeenstemming is met de volgende standaarden en reguleringen:
- (FR) Nous déclarons sous notre seule responsabilité que ce produit est conforme aux standards et directives suivants: est conforme à la Directive 2011/65/EU du Parlement Européen et du Conseil du 8 juin 2011 concernant la limitation d'usage de certaines substances dangereuses dans l'équipement électrique et électronique.
- (ES) Declaramos bajo nuestra exclusiva responsabilidad que este producto cumple con las siguientes normas y estándares de funcionamiento: se encuentra conforme con la Directiva 2011/65/UE del Parlamento Europeo y del Consejo de 8 de junio de 2011 sobre la restricción del uso de determinadas sustancias peligrosas en los equipos eléctricos y electrónicos.
- (IT) Dichiariamo, sotto la nostra responsabilità, che questo prodotto è conforme alle normative e ai regolamenti seguenti: è conforme alla Direttiva 2011/65/UE del Parlamento Europeo e del Consiglio dell'8 giugno 2011 sulla limitazione dell'uso di determinate sostanze pericolose nelle apparecchiature elettriche ed elettroniche.
- (SV) Vi garanterar på eget ansvar att denna produkt uppfyller och följer följande standarder och bestämmelser: uppfyller direktiv 2011/65/EU från Europeiska parlamentet och EG-rådet från den 8 juni 2011 om begränsningen av användning av farliga substanser i elektrisk och elektronisk utrustning.
- (DA) Vi erklærer under eget ansvar, at dette produkt er i overensstemmelse med følgende standarder og bestemmelser: er i overensstemmelse med direktiv 2011/65/EU fra Europa-Parlamentet og Rådet af 8. juni 2011 om begrænsning af anvendelsen af visse farlige stoffer i elektrisk og elektronisk udstyr.
- (PL) Deklarujemy na własną odpowiedzialność, że ten produkt spełnia wymogi zawarte w następujących normach i przepisach: jest zgodny z Dyrektywą 2011/65/UE Parlamentu Europejskiego i Rady z dnia 8 czerwca 2011 r. w sprawie ograniczenia stosowania niektórych niebezpiecznych substancji w sprzęcie elektrycznym i elektronicznym.
- (RO) Declaram prin aceasta cu răspunderea deplină că produsul acesta este în conformitate cu următoarele standarde sau directive: este în conformitate cu Directiva 2011/65/UE a Parlamentului European și a Consiliului din 8 iunie 2011 cu privire la interzicerea utilizării anumitor substanțe periculoase la echipamentele electrice și electronice.

**EN 60745-1, EN 60745-2-6, EN 55014-1, EN 55014-2,  
EN 61000-3-2, EN 61000-3-3, 2006/42/EC, 2014/30/EU, 2011/65/EU, 2012/19/EU**

Zwolle, 01-04-2021

H.G.F Rosberg  
CEO

**VONROC • Lingenstraat 6 • 8028 PM Zwolle • The Netherlands**



**VONROC®**  
BUILD YOUR FUTURE

©2021 VONROC  
[WWW.VONROC.COM](http://WWW.VONROC.COM)

2104-14