

Two Optional Working Modes

Please press the button on the back of the lamp to turn on the lamp and select working mode.

- * Press the button 1st time, the lamp turns on and enter Mode A.
- * Press the button 2nd time, lamp flickers once and turns to Mode B.
- * Press the button 3rd time, lamp turns off.

Mode A: Sensor Mode

When battery power is more than 30%:

Lamp automatically lights up at night and turns to 100% brightness when motion is detected in the range $\leq 6\text{mtrs}$, then dim to 5% brightness after 20 seconds of no motion.



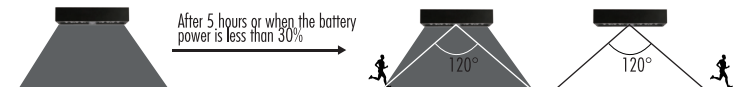
When battery power is less than 30%:

Lamp automatically lights up at night and turns to full brightness when motion is detected in the range $\leq 6\text{mtrs}$ and then turn off after 20 seconds of no motion.



Mode B: Keep Lighting Mode

Lamp automatically lights up at night and keeps 50% brightness, after 5 hours or when battery power is less than 30%, lamp turns to energy saving mode: Lamp automatically turns to 100% brightness when motion is detected in the range $\leq 6\text{mtrs}$, then turns off after 20 seconds of no motion.



Package Content

1PC*Lamp	2PCS*Screws	1PC*Measure Card	1PC*User Manual

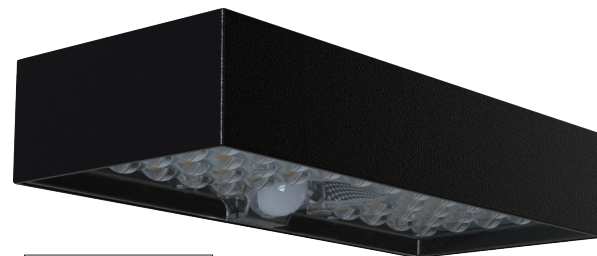
FittinQ B.V.
Smaragdweg 52, 5527 LB Hapert, The Netherlands
www.qazqa.nl

QAZQA

INSTRUCTION MANUAL



Kayo WL
106880/106881/106882



Wall lamp
900lm
6W 3.7V 3000K
CRI>80
35000 h
15000 ON/OFF

Please read and follow all instructions to operate.
Save this manual for future reference.

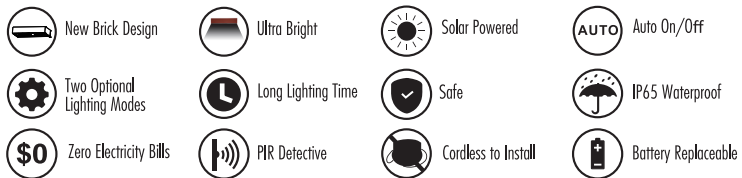
FittinQ B.V.
Smaragdweg 52, 5527 LB Hapert, The Netherlands
www.qazqa.nl

QAZQA

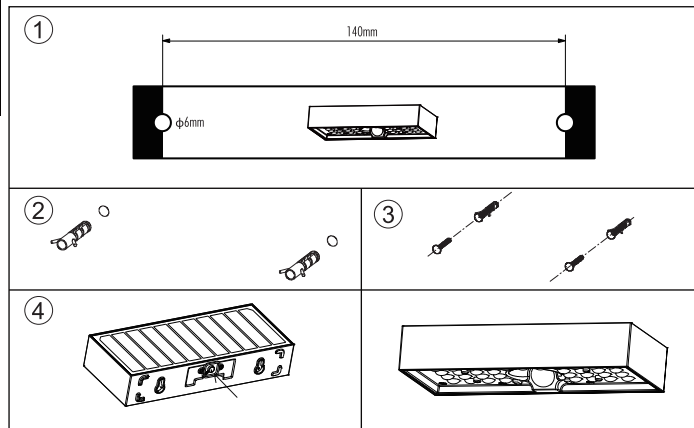
Specification

Power	6W
Lumen	900LM
LEDs	SMD2835*35PCS
Solar Panel	2.8W, DC5.5V, Mono with tempered glass
Battery Pack	18650/3000mAh/3.7V/11.1Wh, replaceable
Beam Angle	140°*70° polarized design
PIR Sensor Range	Detection Angle: 120°; Detection Distance: ≤6M
Charging Time	8-10 hours strong sunshine to fully charge
Lighting Time	Mode A: 4 nights+ Mode B: 2 nights+
IP Class	IP65 waterproof & dustproof
Housing Material	ABS+PC housing, Anti-UV, V0 material for fire-proof
Housing Color	Brick-red / Black / White
CCT	3000K
Lamp Dimension	230*97*42.7mm
Installation Height	Less than 4mtrs
Working Temperature	-20°C- 60°C
Storage Temperature	0°C- 45°C
Warranty	2 years (battery 1 year warranty)
Packing	Brown box (1PCS* Lamp, 2PCS* Screws, 1PCS* User Manual, 1PCS Measurement Card)

Features



Installation



- ① Please use the measure card to mark holes position and drill 2 holes ($\phi 6\text{mm}$, depth 50mm) with a spacing of 140mm.
- ② Fix the expansion plugs in the holes.
- ③ Fix the screws into the expansion plugs, allow the screws to protrude slightly around 4mm.
- ④ Turn on the lamp and set desired working mode.
- ⑤ Hang the lamp on the screws to secure it to the wall.

Notice

1. This is a solar powered lamp, please install it in a location where can get efficient sunlight.
2. Please note the lighting time depends on sunshine duration & work mode.
3. Built-in intelligent IC is with over-charge and over-discharge protection, safe and durable.
4. When the lamp is turned off, it still can get solar charging at day time.
5. The lamp is equipped with an internal battery pack, which is replaceable.
If any need, please contact the seller for support.
6. Non-professionals please do not disassemble the lamp.
7. Please do not dispose the battery with household garbage to avoid explosion.