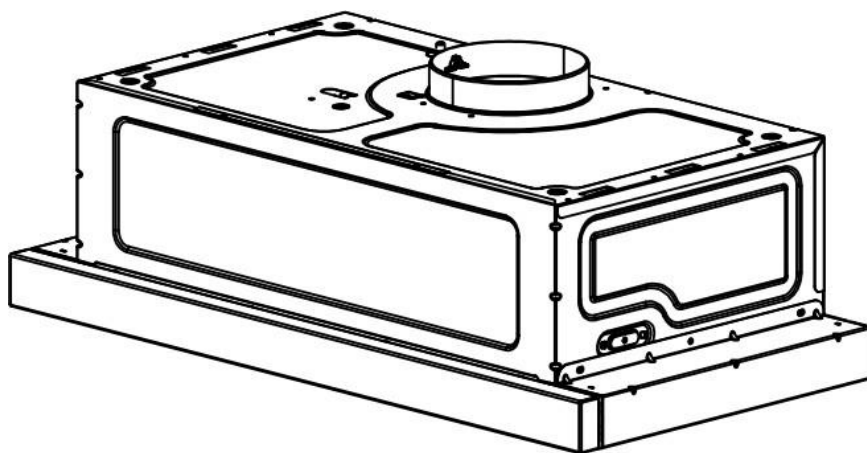


CHIMNEY HOOD

[EN] SAFETY, INSTALLATION and OPERATING MANUAL



CE

IMPORTANT SAFETY INSTRUCTIONS PLEASE READ CAREFULLY AND KEEP IT FOR FUTURE REFERENCE

Please first read this manual!

Dear Customer,

Please read this manual thoroughly prior to using the product and keep it for reference purpose. If you transfer the product to another person, give the manual as well.

The manufacturer will not accept any responsibility for any damage or fire caused by possible problems arising from failure to comply with the instructions given in this manual.

Please contact with the authorized service centre for all questions.

Operating manual help you use the product correctly and safely.

- Read the operating manual prior to setting up and operating the product.
- Comply with the safety-related instructions definitely.
- Please keep the operating manual in a handy place for any possible need.
- Read other documents given together with the product as well.

Please remember that the present operating manual may also apply for other versions. There may be differences among the versions due to different manufacturers, but the cleaning and maintenance conditions are same.



: General Warning

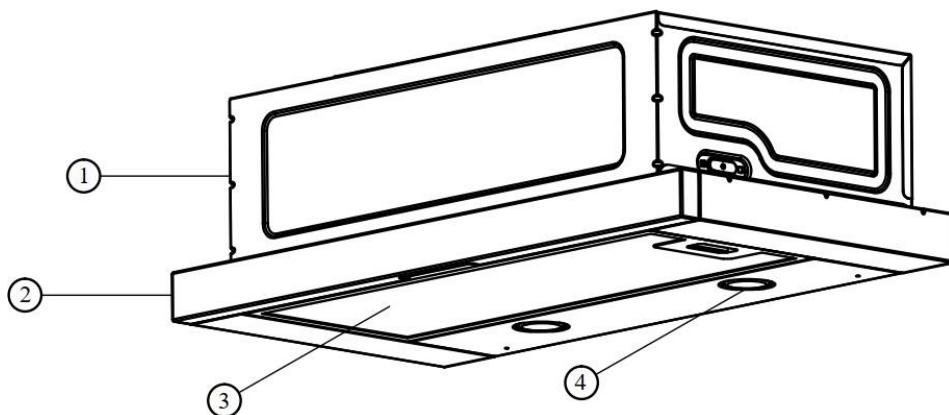


: Fire Warning

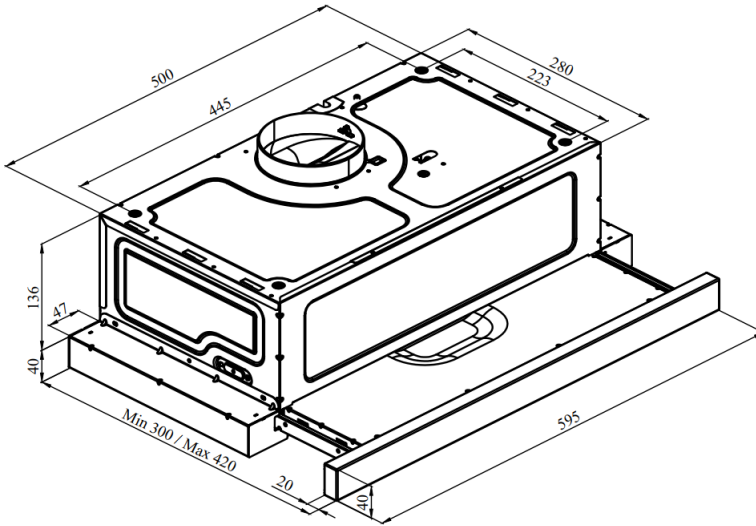


: Electric Warning

TECHNICAL SPECIFICATIONS OF THE EQUIPMENT	5
WARNING AND SAFETY PRECAUTIONS	7
INSTALLATION AND ACCESSORIES	12
INSTALLATION OF THE HOOD	13
OPERATING AND USE OF THE HOOD	16
CLEANING AND MAINTENANCE	19
SERVICE, SPARE PARTS AND WARRANTY	21

TECHNICAL SPECIFICATIONS OF THE HOOD**OVERALL VIEW****(Figure 1)**

1. Body
2. Front Panel
3. Filter
4. Lighting



(Figure 2)

TECHNICAL SPECIFICATIONS

Voltage & Frequency	220-240Vac 50Hz
Total product power	Min. 2W- Max. 102W
Motor power	100W
Lamp power	2 x 1W
Control Panel	2-Speed
Air outlet connection diameter	120mm
Product width	595 mm
Product depth	300 mm
Product height	176mm

WARNING AND SAFETY PRECAUTIONS



This product is designed for domestic use as a version to exhaust or filter the air. It is not designed for operating outdoors.



Warning: This product may be used for children above 8 years old and by persons with restricted physical, perceptual or mental skills only if they are kept under supervision or given instructions for safety use of the product and they are well aware of the product-related risks. Children should not play with the product. If they are not above 8 years old and under supervision, cleaning and maintenance of the product should not be performed by the children. Keep the product and its cable in a place out of reach of the small children under 8 years old.



When the electric range hood is simultaneously used with other equipment using gas or other fuels, the room should be ventilated well (It may not be applicable for equipment which only recirculate the air in the room).



Keep the packaging materials in places out of reach of the children or destroy them. Access to the packaging materials by the children may lead to dangerous consequences.



Unless there is no supervision and management with respect to use of the product by a person responsible for safety of the product, this product is not intended to be used by persons (including children) who are restricted physical, sensual and metal skills or lack of experience and knowledge.



Assure that the plug is easily accessible in order to switch it off in case of any risk.



Electric products are dangerous for children. When the equipment operates, keep children away from the electric equipment. Do not allow children to play with the equipment.



Mains values should match with those given in the nameplate of the hood. Lift the glass cover and remove the filter in order to have access to the nameplate.



Use “Maximum 6A” fuse in the power installation to which the hood is connected both for your own safety and product safety.



During installation, power cable should not be subject to compression or crush. If the power cable is damaged, it should be replaced by an authorized service centre or a qualified electrician. It also applies to any possible damage of the power cable in future.



Product should be connected to the mains only by an authorized and qualified electrician. Product warranty starts only after correct installation of it.



Do not plug the product before you fix it on the wall.



Grounded plug is installed to the power cable of your product. This cable should definitely be insert into a grounded socket.



Disconnect power connection of the product prior to cleaning and maintenance. (Remove the plug of the product from the socket for disconnection.)

CAUTION



Warning: Failure to fix the screws or fastening elements according to the instructions may lead to electric risks.



When installation of the product is completed, leave a distance of 60 cm between the product and electric ranges or minimum 65 cm between the product and

ranges using gas or other fuels. If larger distance is specified in the installation instructions of the gas-fueled ranges, you should stick to them.



CAUTION: When the hood is used together with the cooking equipment, the accessible parts may be heated.



Flammable food should not be cooked under the hood.



Bare flame is very harmful for the hood and may lead to fire risk; it should, therefore, be avoided.



In case of flaming, disconnect power of the hood and cooking equipment (Disconnect the power by removing the plug of the product from the socket).



Operate the hood after you put pot, frying pan or cooking containers on the range. Otherwise, high heat may cause deformation of your product.



Switch the range off before you take the cooking containers such as pot or frying pan from the range.



Do not leave the cooking containers such as pot or frying pan on the range when they contain hot oil. Cooking containers with hot oil in them may cause to self-ignition. Especially be careful when you fry. Watch the curtains and cloth covers due to easily flammable character of the oil.



Oils accumulating on the filters, which are not cleaned and/or replaced timely cause fire risk.



If the cleaning is not performed periodically and by proper methods, your product may have fire risk. You should clean inside and outside of the hood by giving due heed to the maintenance instructions (minimum once in a month).



Do not use any filtering materials not resistant to heat and flame instead of the existing filter on the product. Do not operate your product without filter.



Power cable should not run near the ranges because it may melt and cause fire as it would expose to high temperature.



If you operate lamps of the product for a long time, do not touch the lamps. Lamps may burn your hand as they are still hot.



Unless it is specially specified, never use the hood as a supporting surface. Do not place any weight on it.



Use the screw supplied with the product for installation or if they are not supplied then purchase proper type of screws. For installation, use screws with correct diameter and height as specified in the manual.



Regulations related to exhaust of the outlet air should be observed.



Air should never be exhausted into the flue which is intended for exhaust of the smokes emitted from the equipment using gas or other fuels to outside (It may not be applied for the equipment which only recirculates the air in the room). Flue of the hood should be only for the hood. It should not be used with equipment in common.



Exit of the hood should not be connected to the air ducts where flues of other types of equipment are located.



When you connect the hood to the flue, use pipe in diameter of 120 mm. For good performance, the pipe connection should be as short as possible, smooth and with minimum bends.



Discharge pipe is not supplied with the product. It should be purchased separately. Diameter of the discharge pipe should be equal to the diameter of the connection ring.




As the hood expels the air in the room to the outside, other equipment operating with air may be affected. For this reason, when the hood operates, allow entry of fresh air into the house.



In case of use of activated carbon filter without flue connection, never wash the activated carbon filters. Depending on frequency of use of this filter, you are recommended to replace it in 2-4 months in average. When you desire to replace it, please contact with the authorized service centre.

This equipment is market as per the European Directive 2012/19/EC on Waste Electric and Electronic. If you ensure proper disposal of this product, you will prevent adverse effects that may arise due to improper treatment of the product for human health.



The symbol  used on the product itself or on the documents given together with the product refers to the fact that this equipment should not be considered as domestic waste. The equipment should be delivered to the gathering site of recyclable products where this type of electric and electronic equipment is disposed. Disposal of waste should be performed in accordance with the current local environmental regulations with respect to disposal.

For detailed information about recycling conditions of this product, consult to the related department of the local municipality, waste treatment service or dealer of the product.

Prior to Unpacking the Product:

Make sure that the electric installation is proper. If you are not certain, call a qualified electrician and cause the required arrangements are performed by him.

Preparation of the installation site as well as the electric installation is for responsibility of the customer.

For installation of the product, the rules related to power as specified by the local standards should be observed.

Control whether the product has any damage prior to installation of it. If the product is defective, do not install it. Otherwise the defective product may pose risk for safety.



The room should be ventilated well for safe operation of the product.

If there is no window for ventilation of the room, you should provide an extra ventilation (vent on the window pane, etc.). If there is vent in your kitchen, never block it.

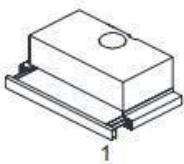
Inspect condition of other materials inside the hood (e.g. installation accessories, operating manual) in the carton box and remove and keep them in a separate place.

Never keep them in the hood.

Do not install the product on such surfaces as tile, gloss or silicon. Fix it on the wall only.



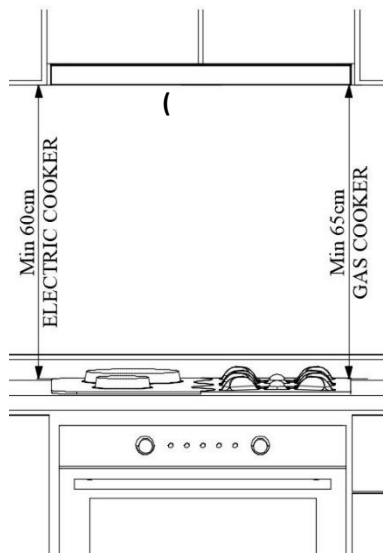
Do not allow the children to play with the packaging materials!!!

Package Included :

1. Sliding Aspirator
2. 4x4.8 * 50 Hanger Screws
3. User Guide
4. Assembly Template

INSTALLATION OF THE HOOD

Please follow the following order of actions to install the product.

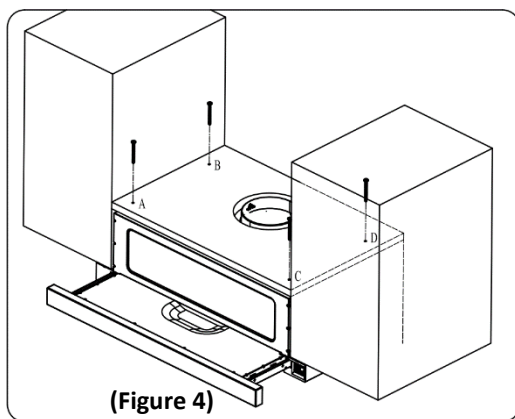


(Figure 3)

Position of the Product:

When installation of the product is completed, there should be a clearance of 60cm between the product and electric ranges and 65 cm between the product and ranges using gas or other fuels.

(Figure 3)



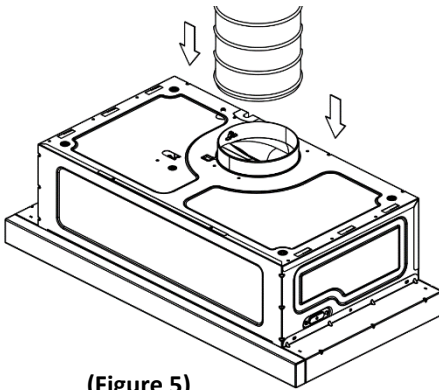
(Figure 4)

1) Attach the mounting template located next to the mounting equipment inside the product box on the surface where the product will be mounted.

2) Drill $\varnothing 4$ mm drilled holes at the points marked A, B, C, D on the Mounting Template.

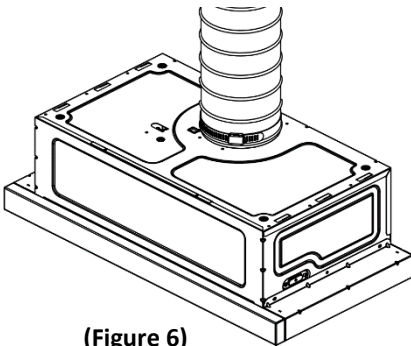
3) Drill the chimney outlet hole specified in the mounting template in the given size.

4) The product is mounted to the cabinet from the A, B, C, D points by using the 4,8x50 screws supplied with the device. When the slide set moves, the front panel should not rub against the cabinet door. (Figure 4)



(Figure 5)

5) Connect the hood with the aluminum pipe. Pass the flexible aluminum pipe into the plastic flue and fix it by using the plastic cable holder or clamp without overtightening. Insert other end of the pipe into the flue hole on the wall. (Figures 5-6)



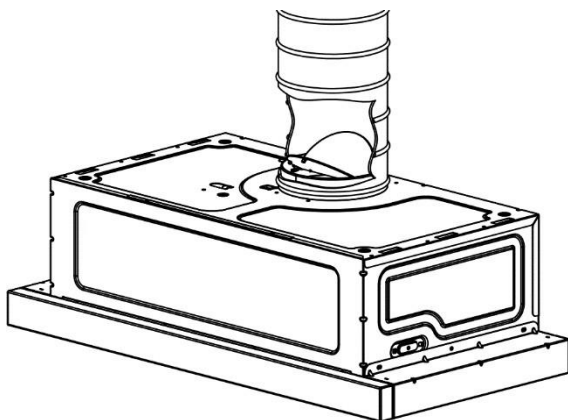
(Figure 6)



Prior to connecting the hood with the pipe, you should control the plastic flaps at the product air exit point. Before making the pipe connection, operate the hood and make sure the flaps move upwards correctly and allow air exit. Otherwise, change direction of the flaps. (Figure 7)



Overtightening of the cable holder or clamp when making pipe connection may prevent operation of the flaps. Prior to connecting the pipe with the chimney of your house, you, therefore, control whether the hood operates properly by operating it.



(Figure 7)

To use the hood efficiently:

When connecting the hood with the flue, use pipe in diameter of 120 mm and minimum number of bends as far as possible. As the bends and elbows on the aluminum pipe will cause reduction in the air suction power, you should avoid use of much bends and elbows as far as possible (**Picture 1**)

Give heed to regular use of the aluminum cartridge filters and replacement times of the carbon filters.

**Correct****Incorrect****Picture 1**

Prior to Operating the Hood



Prior to operating the hood, make sure all mechanical and electric connections are completed.



Do not leave any foreign material inside the hood. Make sure there is no packaging material around it.



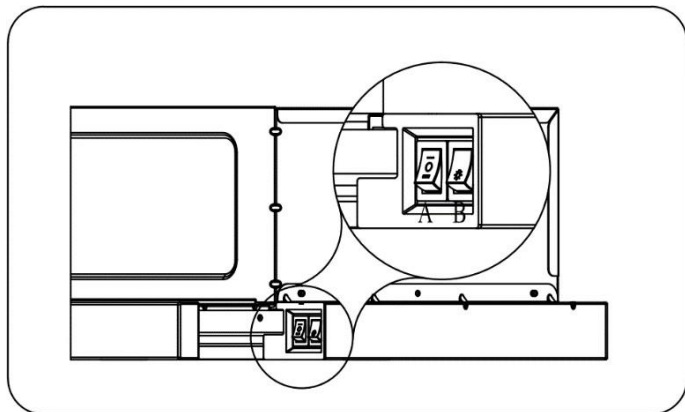
WARNING

Make sure you remove blue protection band at the edges of the washable aluminum cartridge filter on the hood. Please remember that if this protective band is not removed, it poses burning risk as it is not of inflammable character.

Speed Selection

The device has 2 stages of ventilation. Select one of the low (1st cycle) - high (2nd cycle) operating levels according to the steam generated during cooking. After completing your cooking process, leave the hood running for a while, so that the remaining odor and vapor will be absorbed.

2 Speed Rocker Switch Control



A- Cycle Switch

B- Light On / Off Switch

To operate the device in the first speed stage, turn the speed switch to the position. 

Figure 8 / A



To operate the device in the second speed stage, turn the speed switch to the position. 

Figure 8 / A

In order to turn on the lamp of the device, turn the cycle switch to the position to operate the lamp on / off switch.  **Figure 8 / B**

Functions of the equipment

Hood can be used in kitchens with or without flue.

For use with flue:

In case of use with flue connection, the hood should be connected to a flue to exhaust the air. For efficient use of your hood, you should follow the shortest way of the piping to the flue and the airway should be open

Your product is delivered from the factory as suitable for use with flue.



Warning!

Hood should not be connected to air channel where there are other smokes.

For use without flue



Activated Carbon Filter

In the places without any pipe for connection to outside, you should use activated carbon filter to filter and recirculate the air in the place. You should get the activated carbon filter from your authorized service centre. **(Picture 3)**

Picture 3

Replacement of Activated Carbon Filter

You should use 2 carbon filters on the product.

In order to put the carbon filter in place, the channels on the motor cover should be brought to alignment with the lugs on the filter and rotate it half turn clockwise. To remove it, you should rotate it anticlockwise by half turn. **(Figure 9)**



Figure 9

Cleaning

- Before maintenance and cleaning operations, you should remove the power cable from the socket or switch the hood off.
- External surfaces of the hood should be wiped with a cloth damped with soap water.
- Do not use corrosive and dangerous chemical materials.
- Be careful that water or similar substances should not contact with the electronics.
- For products made of stainless sheet, use of commercially available maintenance and cleaning agents for stainless product will ensure your product to serve longer.
- Aluminum cartridge filters are washable in the dishwashing machines.
- Aluminum cartridge filter should be washed one in several months (after each 40 operating hours in average) depending on frequency of use with hot soapy water or, if possible, individually in the dishwashing machine (maximum 60°C).
- After washing, aluminum cartridge filter and its frame may discolour. This is normal and does not affect function of the filters.
- Remove the aluminum cartridge filter by pushing the spring catch at the end. After cleaning, allow it to dry. Do not put in un place before it gets dry
(Figure 12)

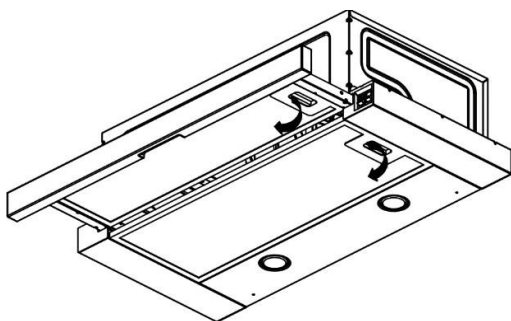


Figure 12

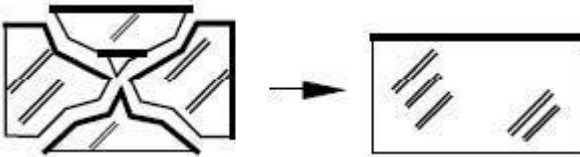
*If you desire to replace aluminum cartridge filter, consult to the nearest authorized service centre to get it. For this purpose, you should state the version number written on the nameplate of your product. Filters for other brands and versions commercially available are not compliant with your product.

General Information About Lamps and Replacement of Lamps

Hood is equipped with a LED-based lighting system.

When LEDs are compared with ideal lighting and normal lamps, they provide a service time 10 times longer, with energy savings up to 90%.

If you encounter any physical deformation of the lamp of the hood or any problem with its lighting, please contact with the authorized service centre.



If there occurs any crack or break on the surface of the lamp, contact with the authorized service centre and replace it.

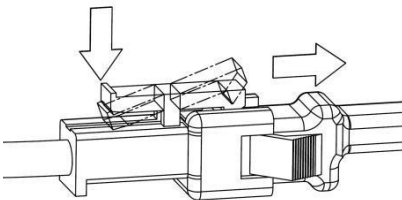
If it is required to replace the lamps, please check the following info and replace it with an alternative having the same technical specifications.

- ILCOS D code: DBR-1-H (ILCOS d code as per standard IEC 61231)
- LED module – semi-transparent plastic
- Rated power of each lamp: 1W
- Maximum lamp potential power for replacement: 2 x 1W
- Voltage range of the lamp: 220 - 240V
- Product sizes: diameter: 35,8 mm / height: 30 mm

If required, you may acquire new lamps from the authorized service centre.

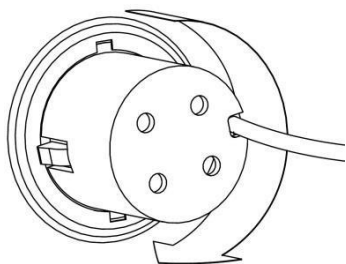
Replacement of the Lamps

Prior to replacement of the lamps, remove power cable of the hood. And then lift the front glass upward and remove the aluminum cartridge filter. Afterwards:



(Figure 11)

1. Disconnect the female and male connectors of the lamps by pushing back part of the plastic lug as shown in the figure at left here to release the locking mechanism. **(Figure 13)**



(Figure 12)

2. Hold the lamp at its body and rotate 2 retaining lugs on the lamp clockwise or anticlockwise to match with the gaps on the lighting panel. After bringing the retaining lugs to align with the gaps, hold the lamp at its body and bring it out. (Figure 14)

SERVICE, SPARE PARTS, WARRANTY

Things the Customer Should Consider Related to Warranty

Keep the warranty certificate of the product. If the customer cannot submit the warranty certificate, the product is deemed excluded from the warranty. Auxiliary components and accessories to be purchased in addition to the product are kept outside the product warranty. Materials which are required to be replaced over time and depending on use as specified in the operating manual are not covered by the warranty. Warranty granted does not cover failures arising from improper or commercial use of the product, and the following situations are excluded from the warranty:

1. Any damage and failure arising from installation and use of the product in contrary to the instructions given in the manual;
2. Any damage and failure which occur during loading, unloading and handling of the product after it is delivered to the customers;
3. Any damage and failure due to low or excessive voltage, defective electric installation, use of it at such voltage that is different from the one indicated on the nameplate of the product;
4. Damage and failure due to fire and/or lightning;
5. Failure arising from use of the product in contrary to the instructions given in the operating manual which should be considered by the user;
6. Glass breaking;
7. Intervention and repair of the equipment by anybody except for the authorized person;
8. Problems arising from mounting of any part except for the parts supplied by the manufacturer.

Issue and delivery of the warranty certificate to the consumer is for responsibility of the seller, dealer, agency or representative from whom the consumer purchases the product. Falsification on the warranty certificate, deletion and destruction of the original serial number on the product will make this warranty invalid.

Aluminum filters used on the hoods should be cleaned in such manner and at such times as specified in the manual. Blackening and discoloration may occur with the filters as a result of use. Such situations are normal and do not prevent the product from performing its duty and function and they are not covered by the warranty. In case the cautions specified in the manual are not regarded with respect to the stainless steel products, blackening, oxidation and waves on the surface may appear. Such conditions are excluded from the warranty.

Warnings About Transportation and Handling

- Observe the signs on the carton when handling.

If transportation is required:

- Keep its original package.
- Transport it in its original package and observe the handling signs on the package.

If the original package is not available:

- Do not put any heavy object on the hood.

Please observe the following measures.

1. When you purchase the product, have the Warrant Certificated approved by your Authorized Dealer.
2. When you need service for your product, you may call **Consumer Hotline**.
3. Please ask the service technician about his/her "technician ID".
4. When the service work is completed, remember to ask for "Service Voucher" from the service technician.
Service voucher you will get will be helpful with respect to any problem that may occur with your product afterwards.
5. Service life: 10 years. The manufacturer guarantees to make available spare parts of the product during this period.

If the hood does not operate:

Prior to contact with the service centre:

Make sure the product is plugged and the power use is sound.

Never do anything that may give damage to the product.

Control the hood according to the Table 1 prior to contact with the service centre.

If the problem persists, contact with the nearest authorized service centre.

Service and Spare Parts:

Have your product installed by our authorized service centres free of charge.

If required, you may acquire spare parts of your products from our authorized service centre. There is list of authorized service centre available in the package together with the product. In order to ask for spare part when you contact with the service centre or dealer, state the version of the product as indicated on the product label of it. When you remove the aluminum cartridge filter, you will see the product label.

Table 1

PROBLEM	CAUSE	REMEDY
Equipment does not operate.	It is not plugged in.	Make sure it is plugged in.
	On/off button is not pressed.	Press On/Off button.
Lighting fails	It is not plugged in.	Make sure it is plugged in.
	Product key does not work.	Check the button.
	Lamp is defective.	Replace the lamp.
Performance of the equipment is not sufficient or it makes high noise when working.	If you use the hood without flue, make sure the carbon filters are not older than 4 months.	Replace the carbon filters with the new ones.
	To provide air flow, your kitchen may possibly be lack of sufficient inlet for fresh air.	Ventilate the place by opening the kitchen window.
	Air exit way may be closed partly or completely.	Make sure the air discharge way is open.

If the problem cannot be removed although you complied with the instructions given in this section, you may contact with the nearest authorized service centre.

Complies with AEEE Regulation.

