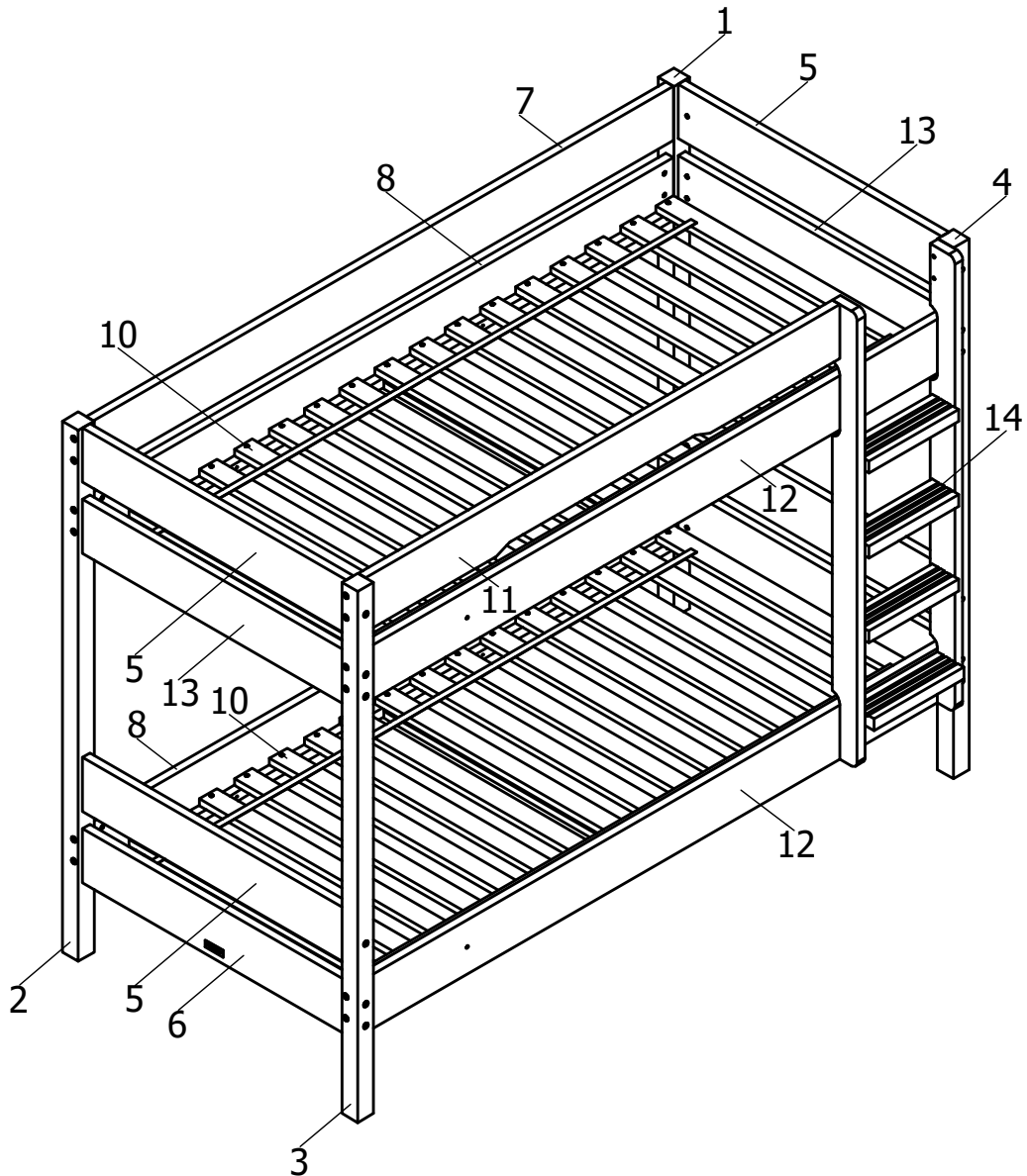


bopita®

ASSEMBLY INSTRUCTION
MONTAGE HANDLEIDING
MONTAGE ANLEITUNG
NOTICE DE MONTAGE
MANUAL DE MONTAJE

UK
NL
D
F
ESP

MODEL : LUCAS
TYPE : BUNKBED
COLOUR : MATT BLACK/NATURAL
ART.CODE : 161232.19






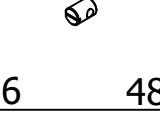
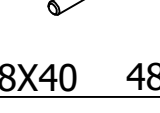
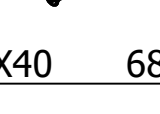
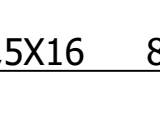
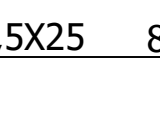

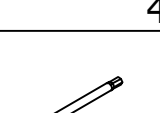
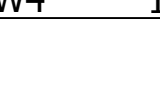
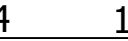
Distributor:

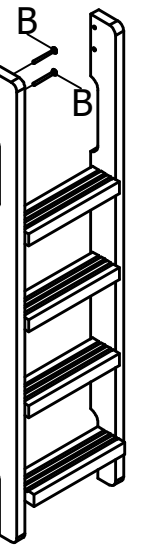
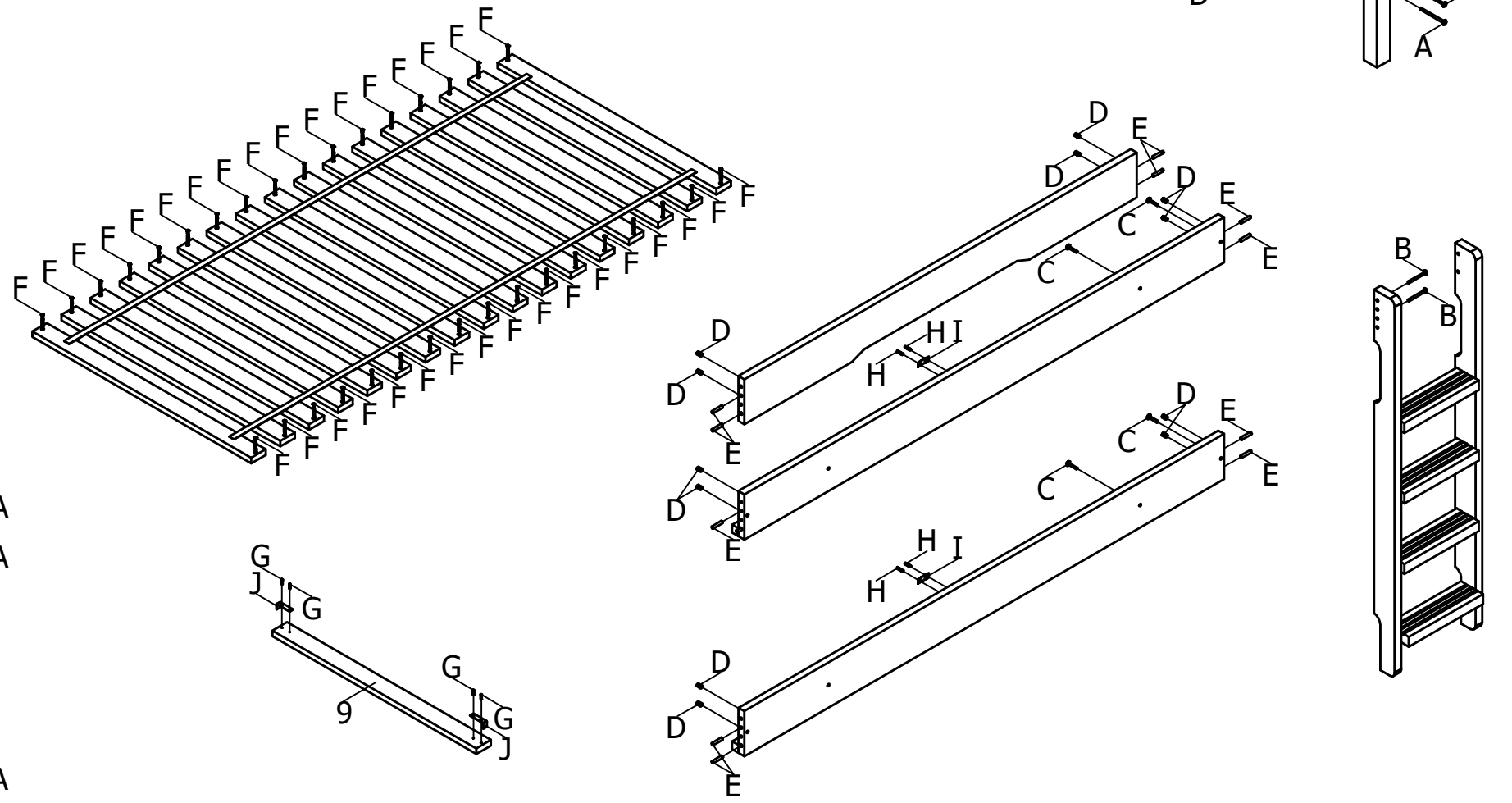
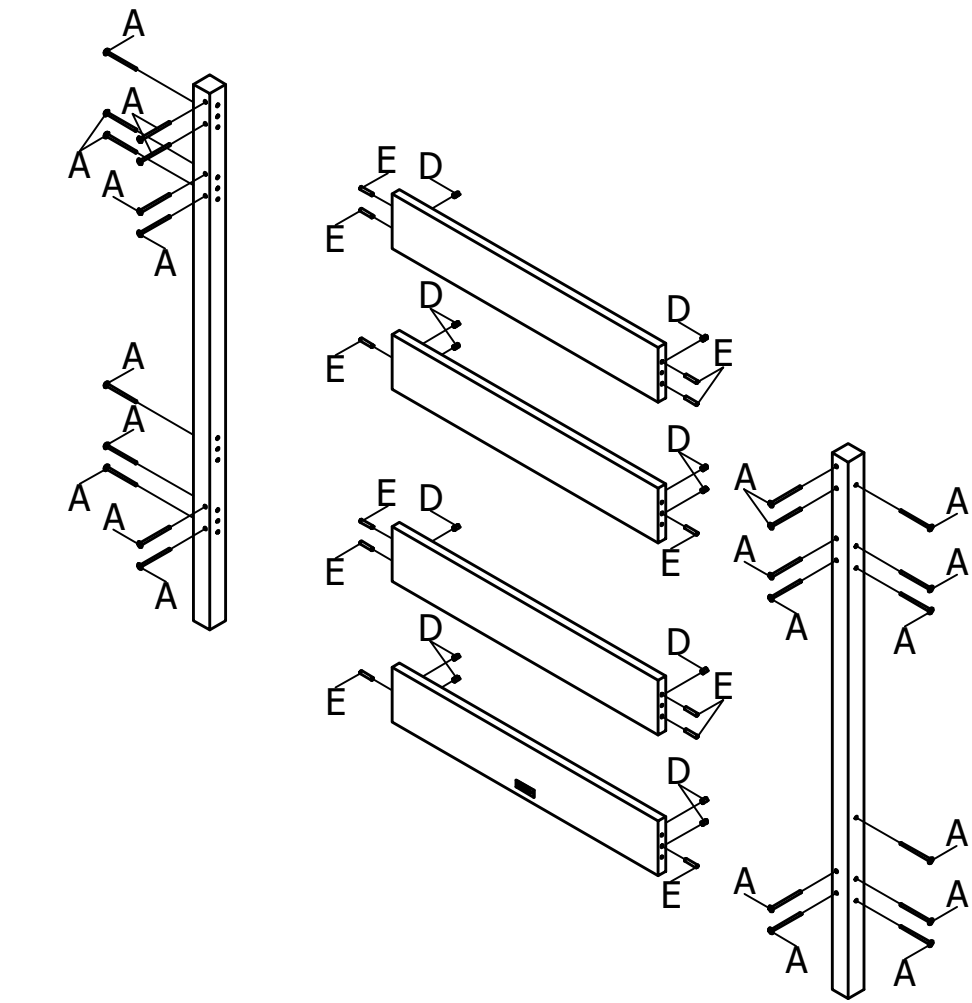
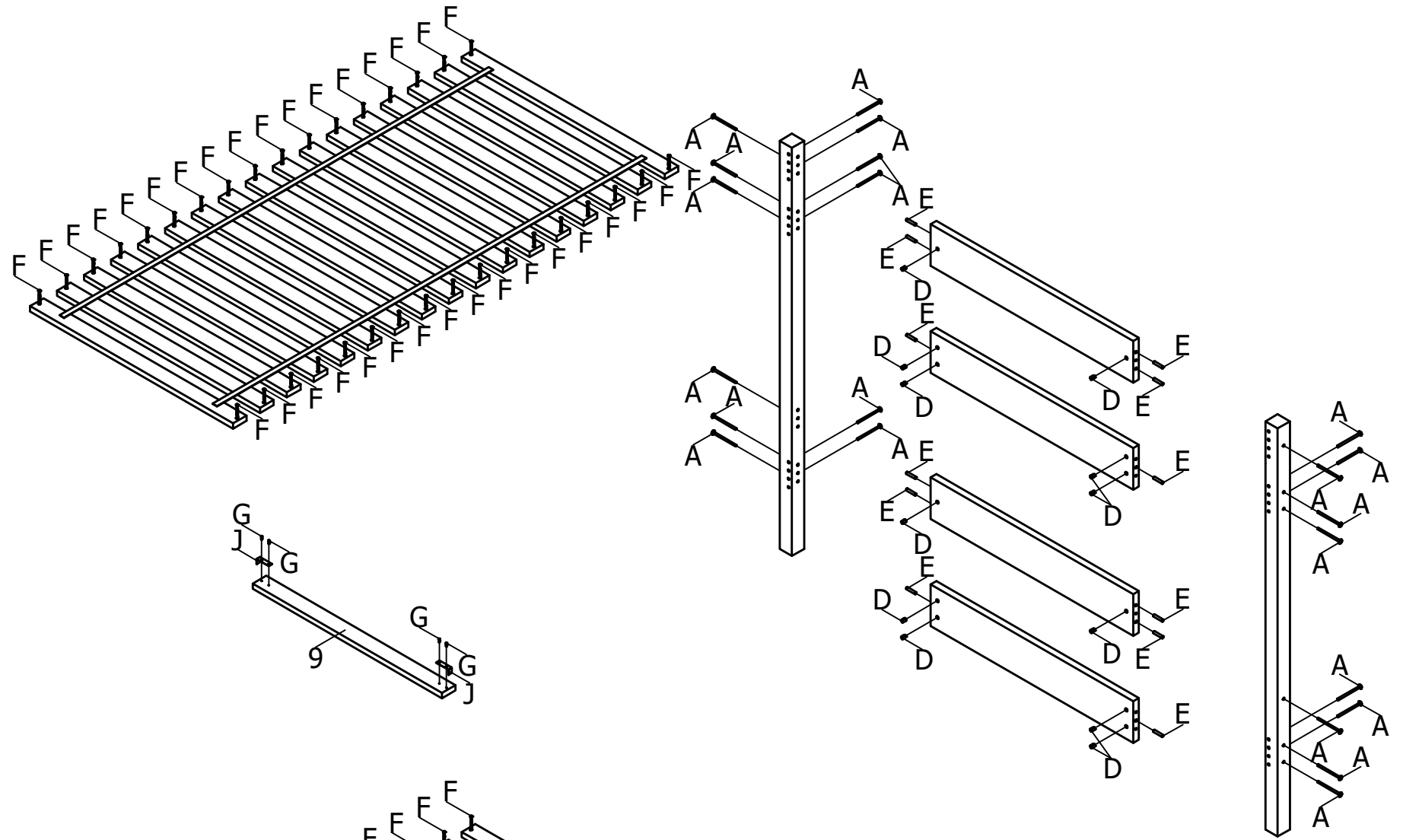
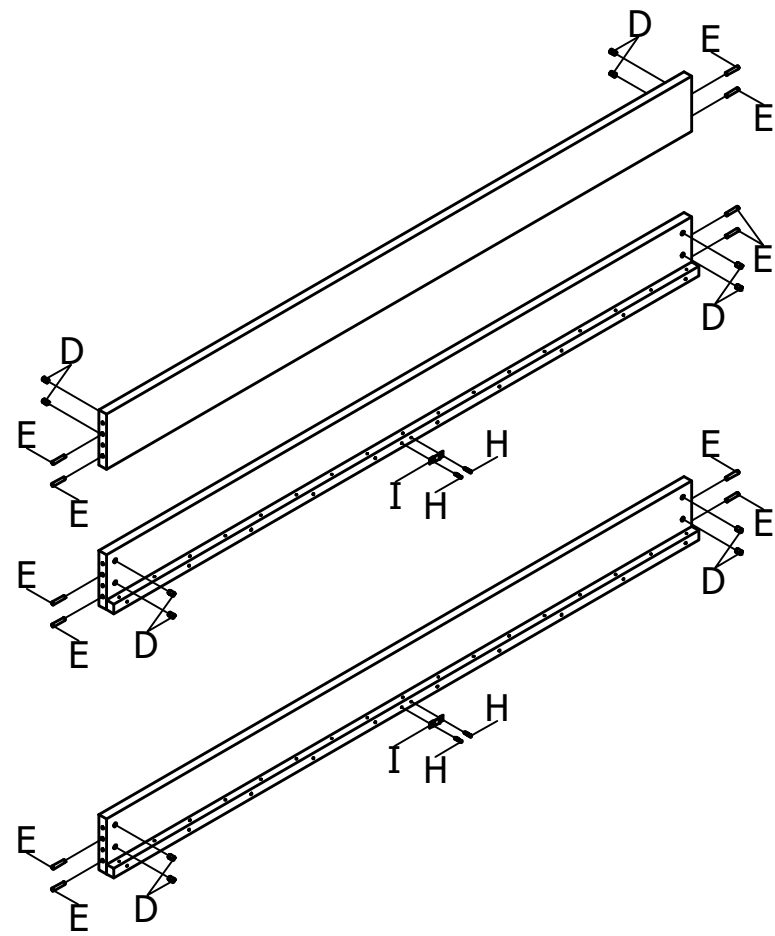
BOPITA
Energieweg 1
6662 NS Elst
The Netherlands

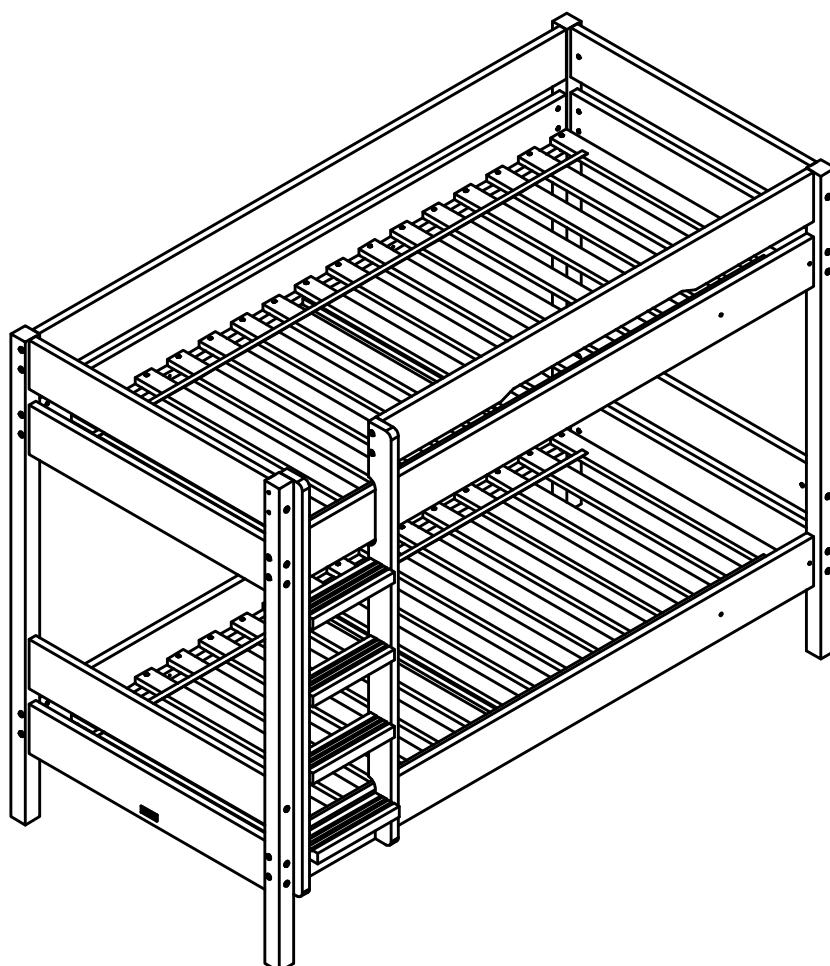
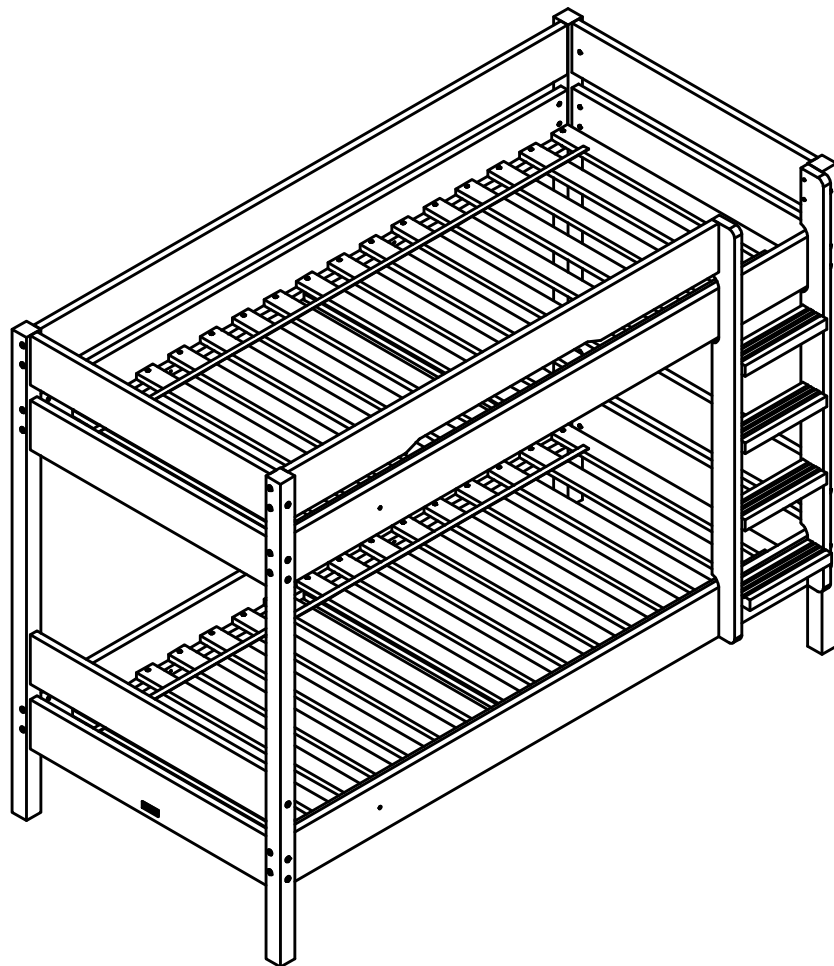


www.bopita.com

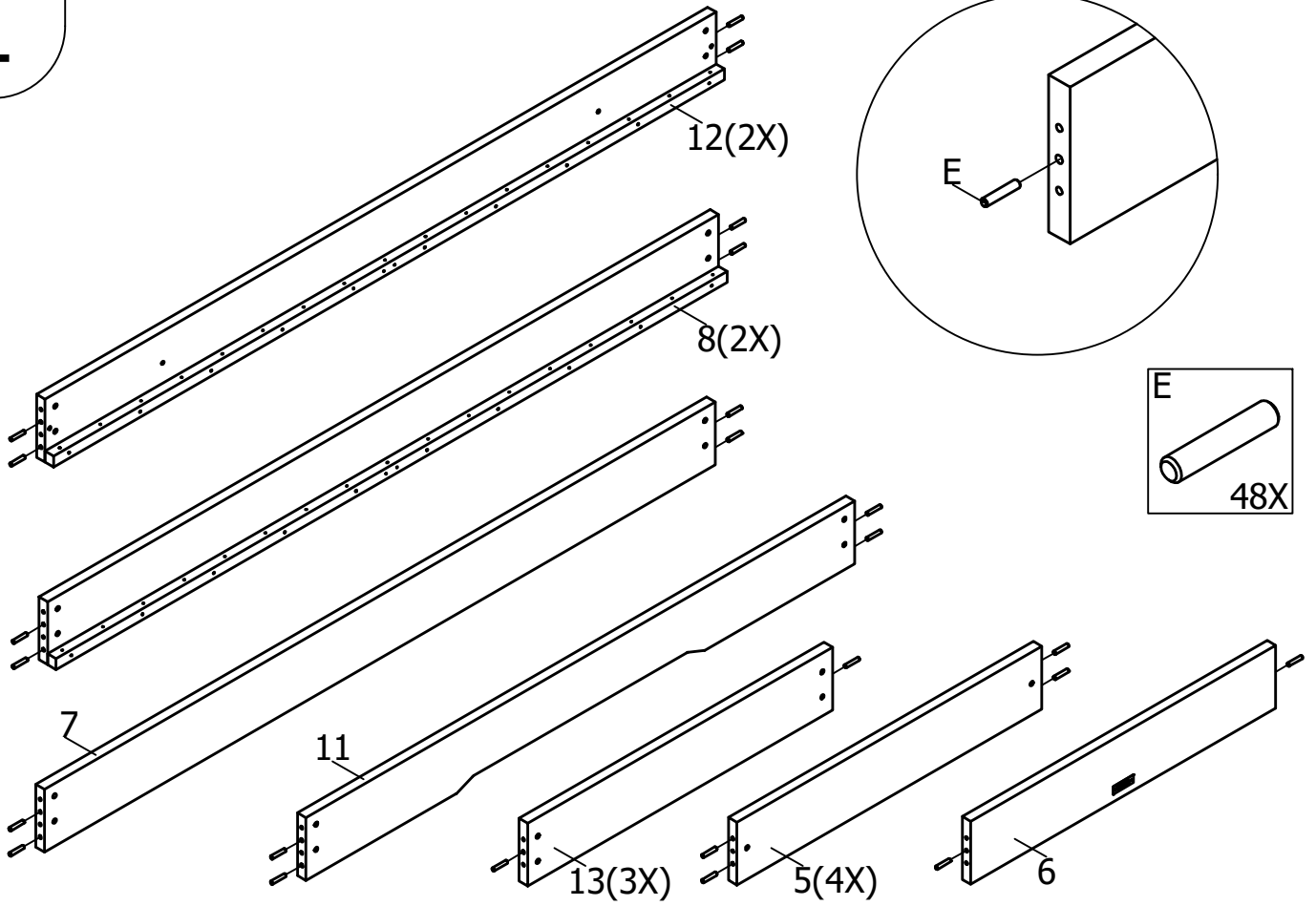
03.03.2023.

A		M6X100	46X
B		M6X70	2X
C		M6X35	4X
D		M6	48X
E		Ø8X40	48X
F		5X40	68X
G		3,5X16	8X
H		3,5X25	8X
I			4X
J			4X
K			4X
SW4			1X

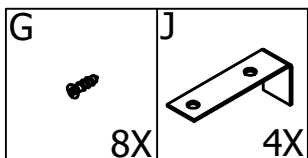
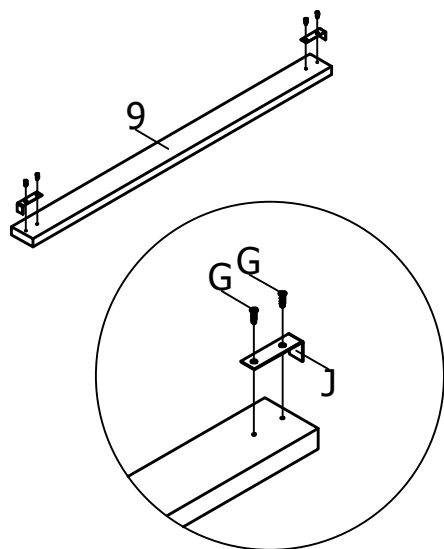




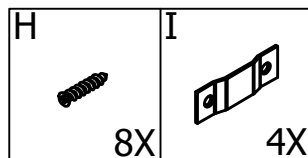
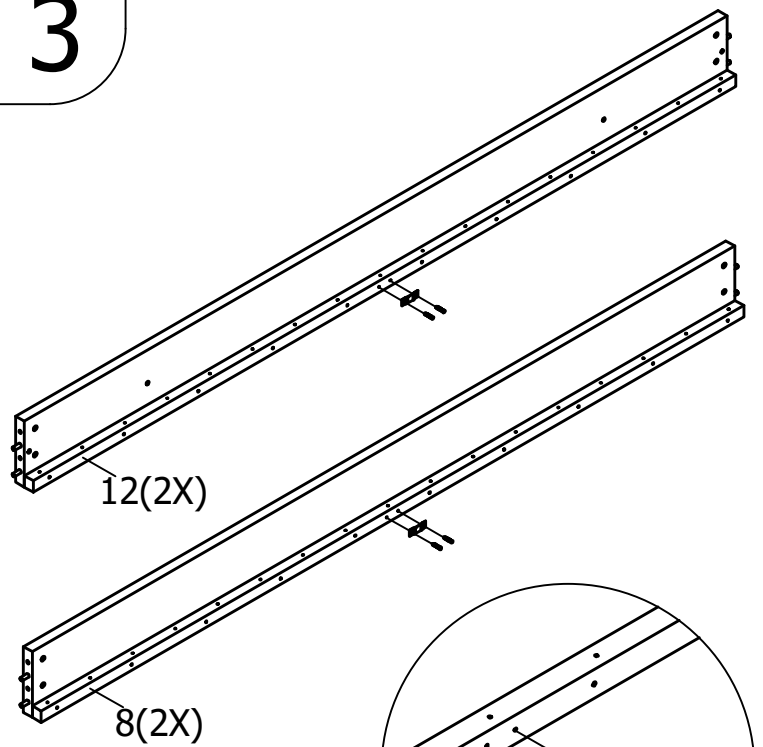
1



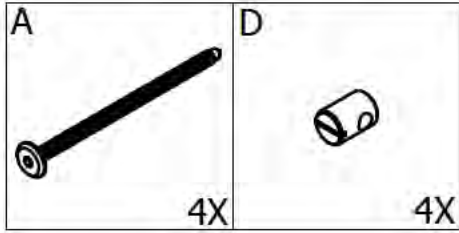
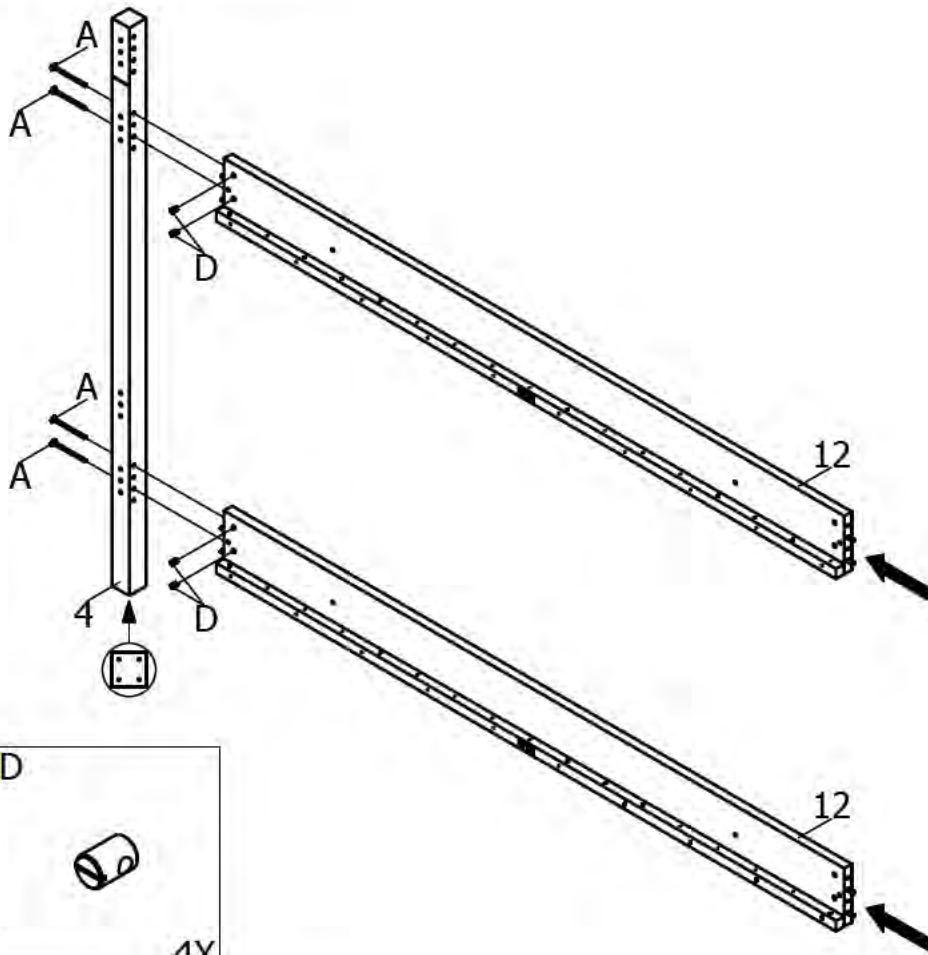
2



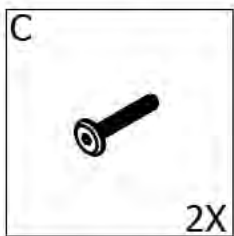
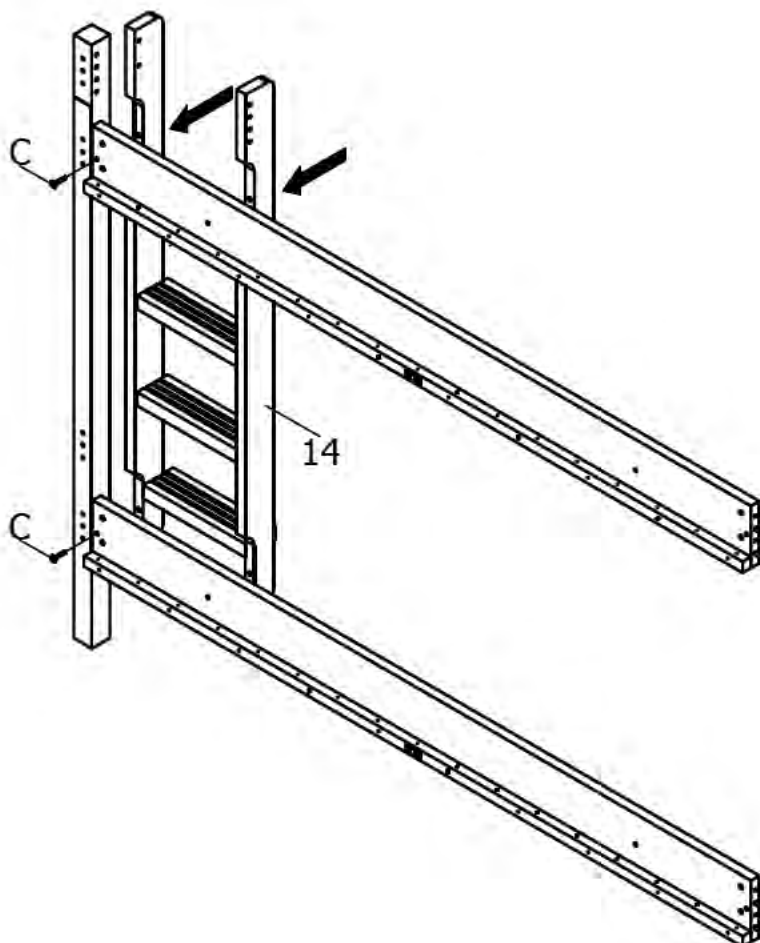
3



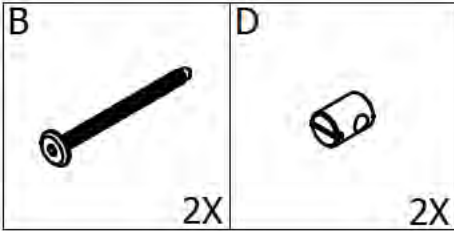
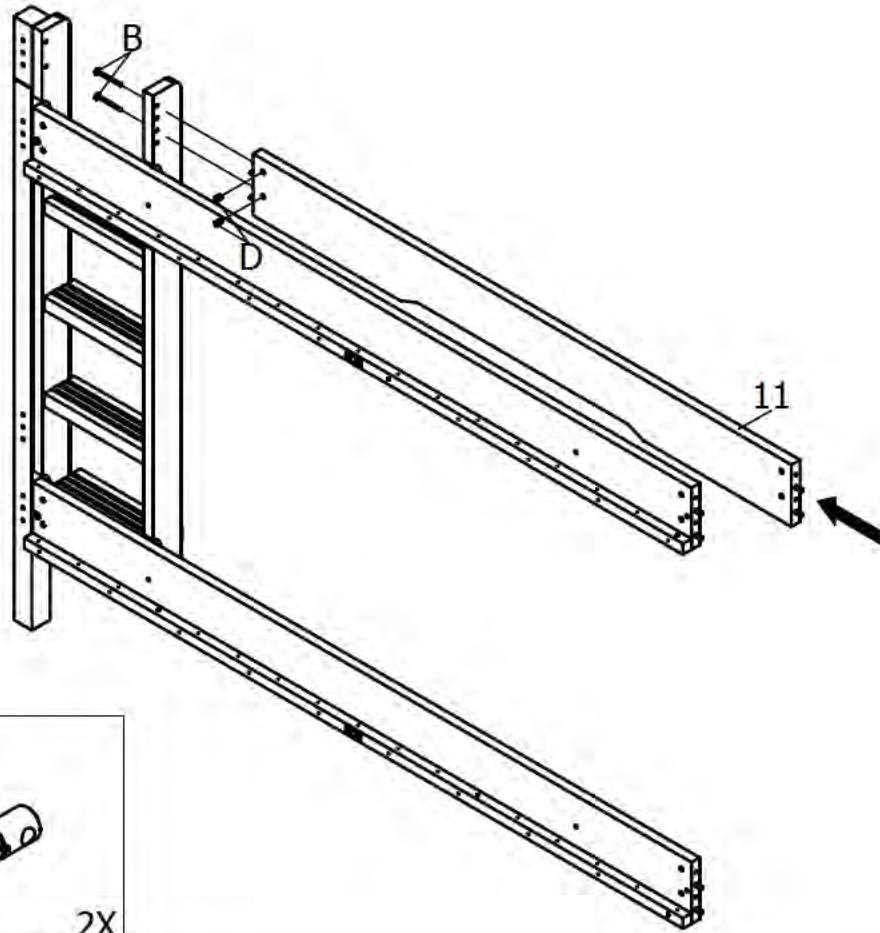
4



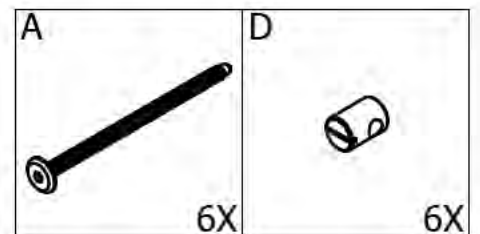
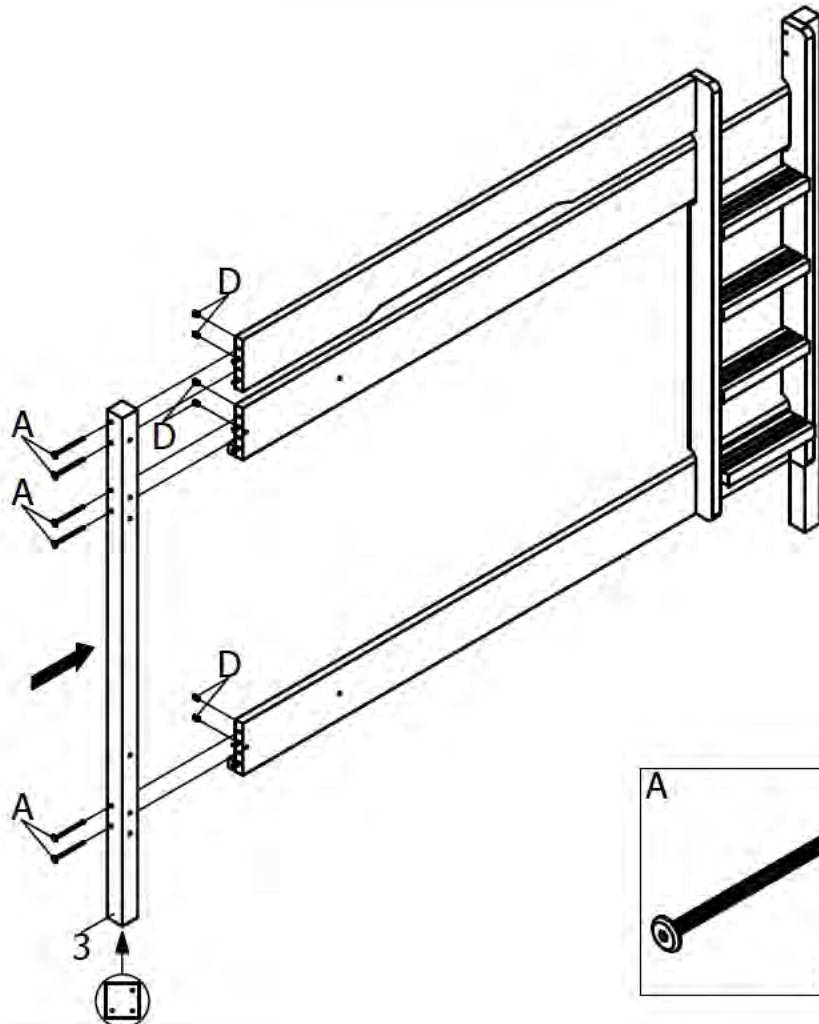
5



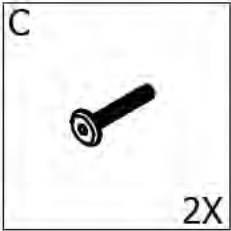
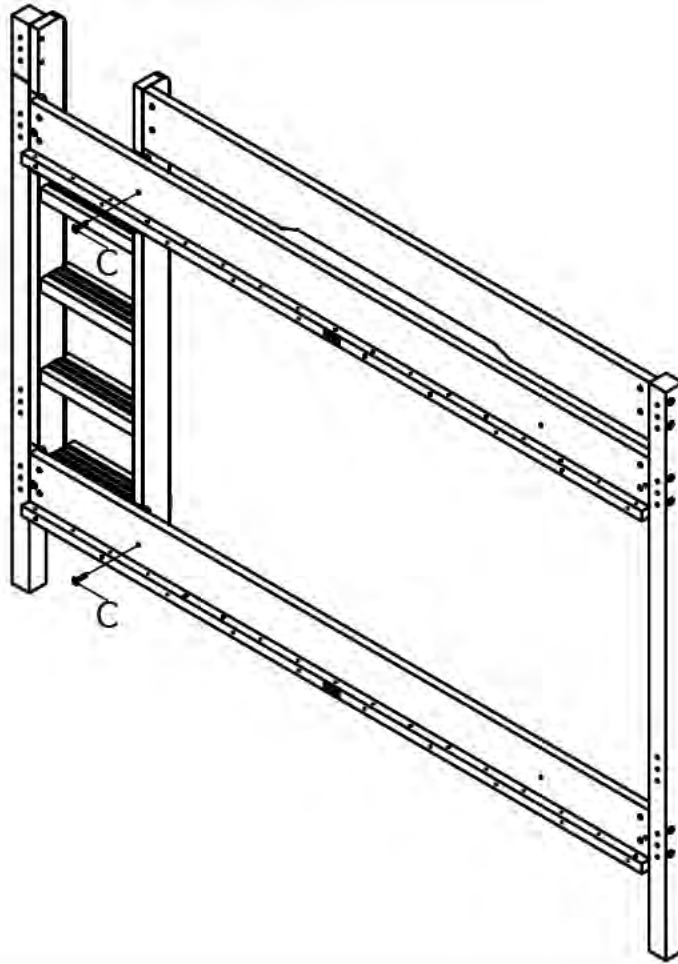
6



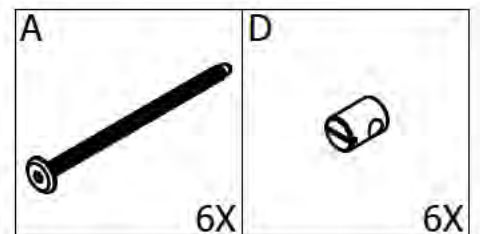
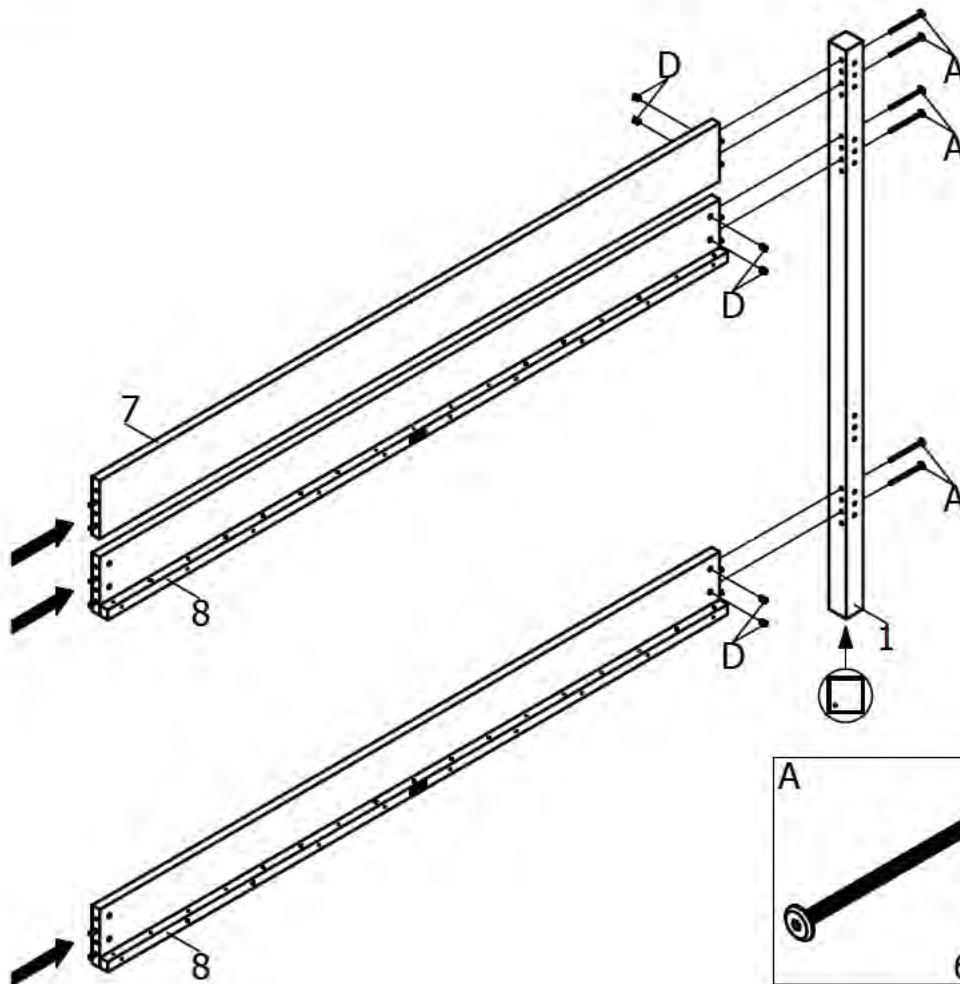
7



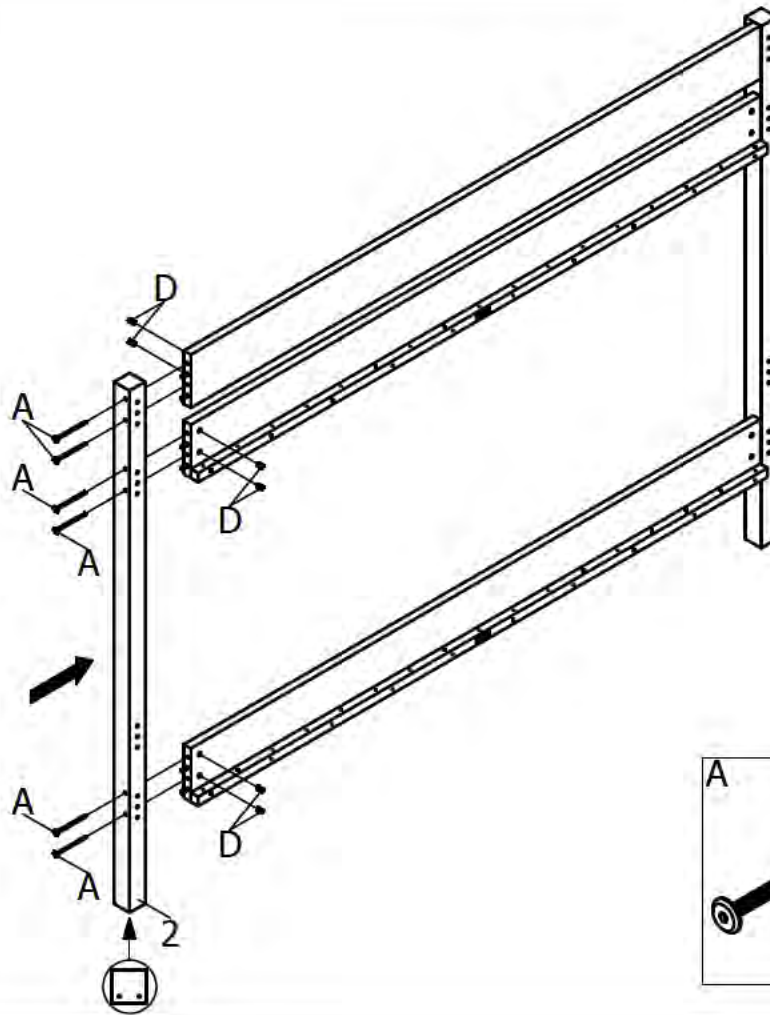
8



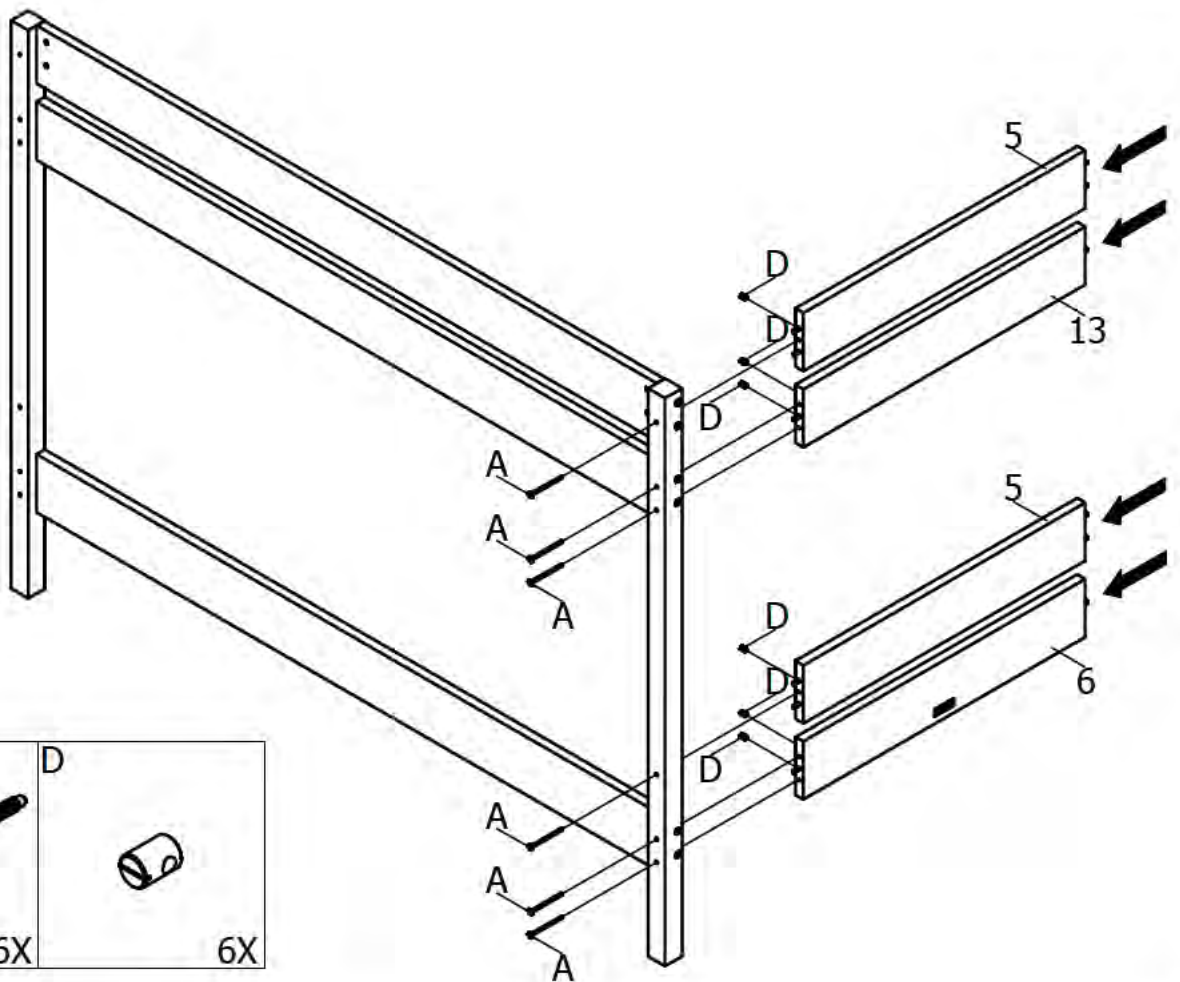
9



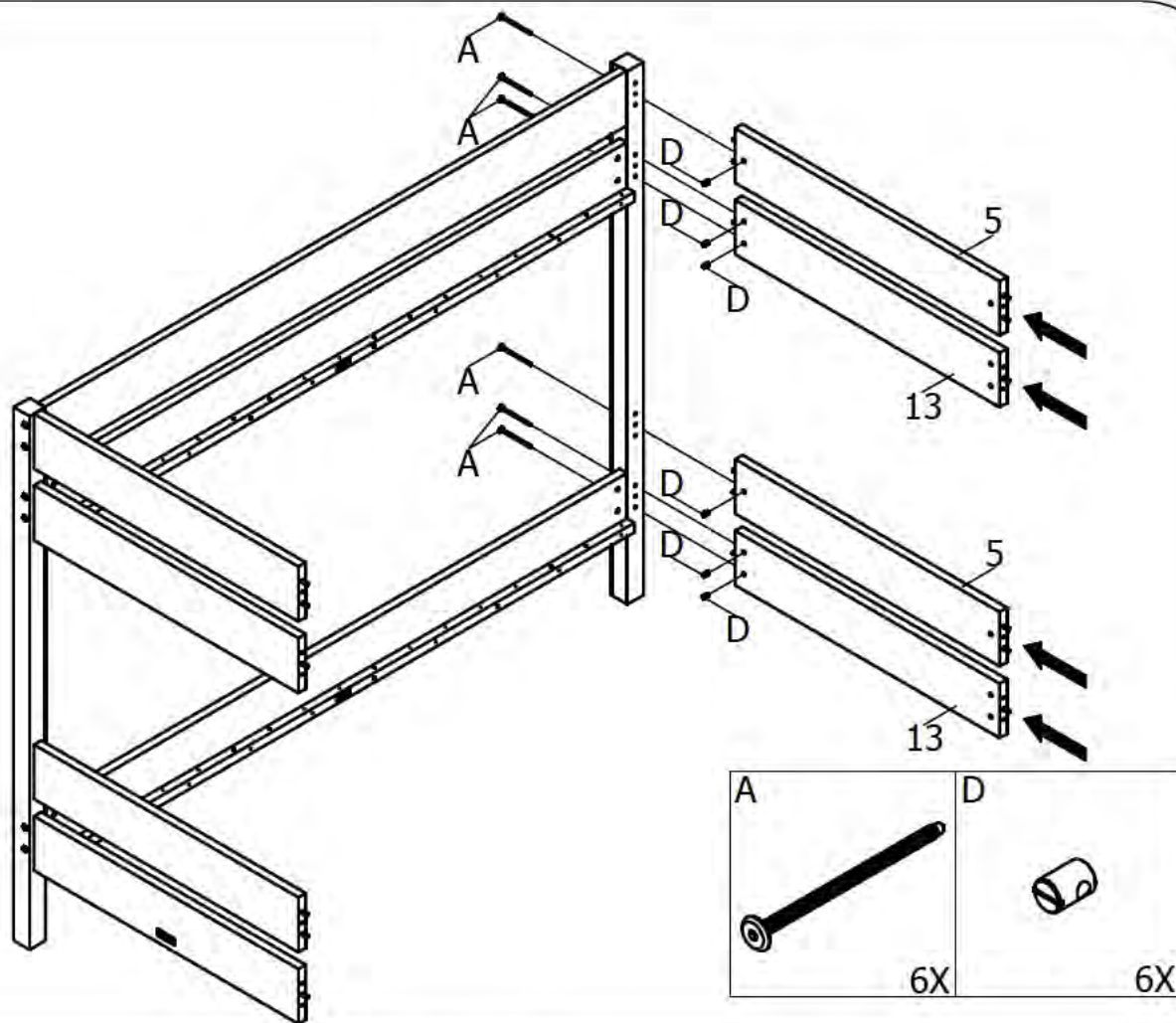
10



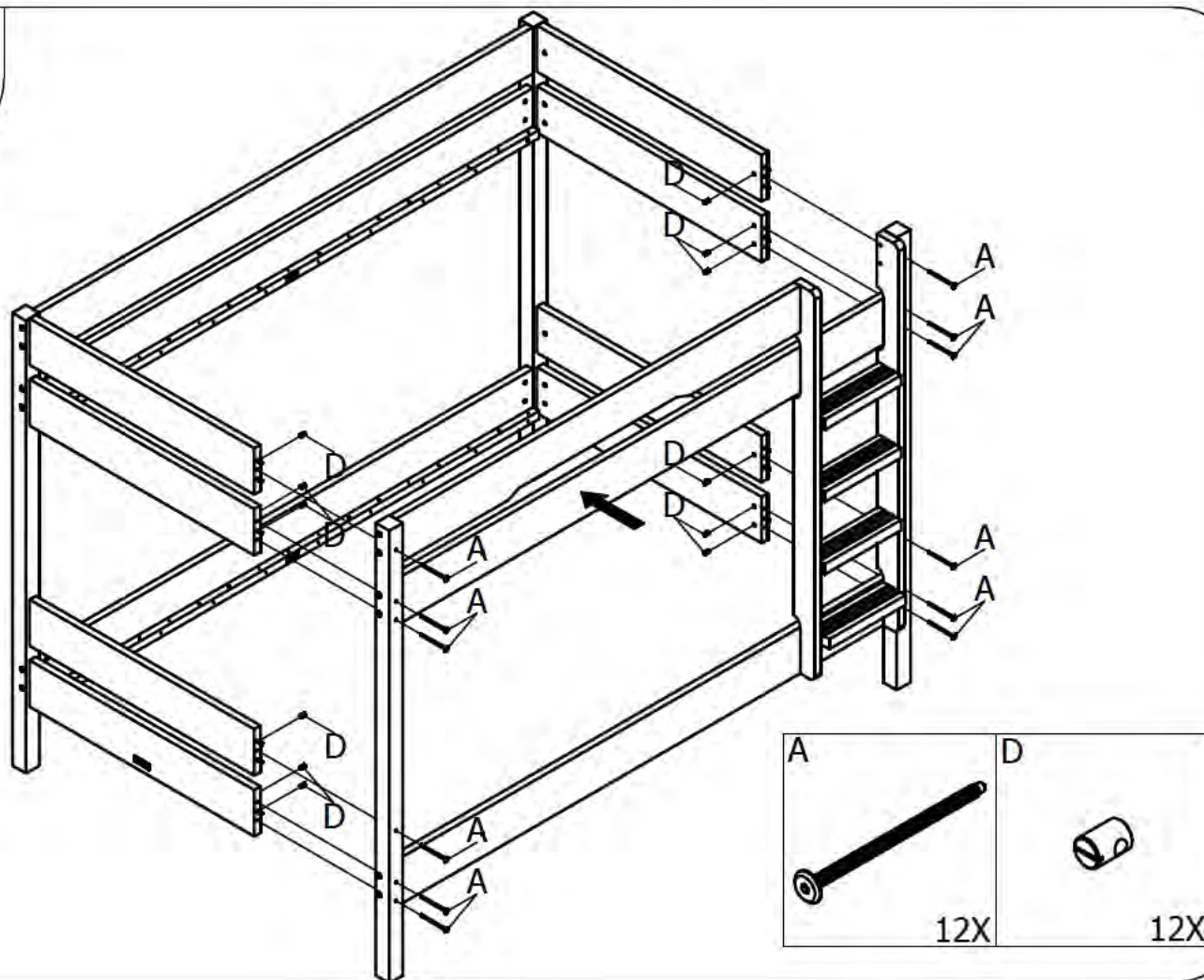
11



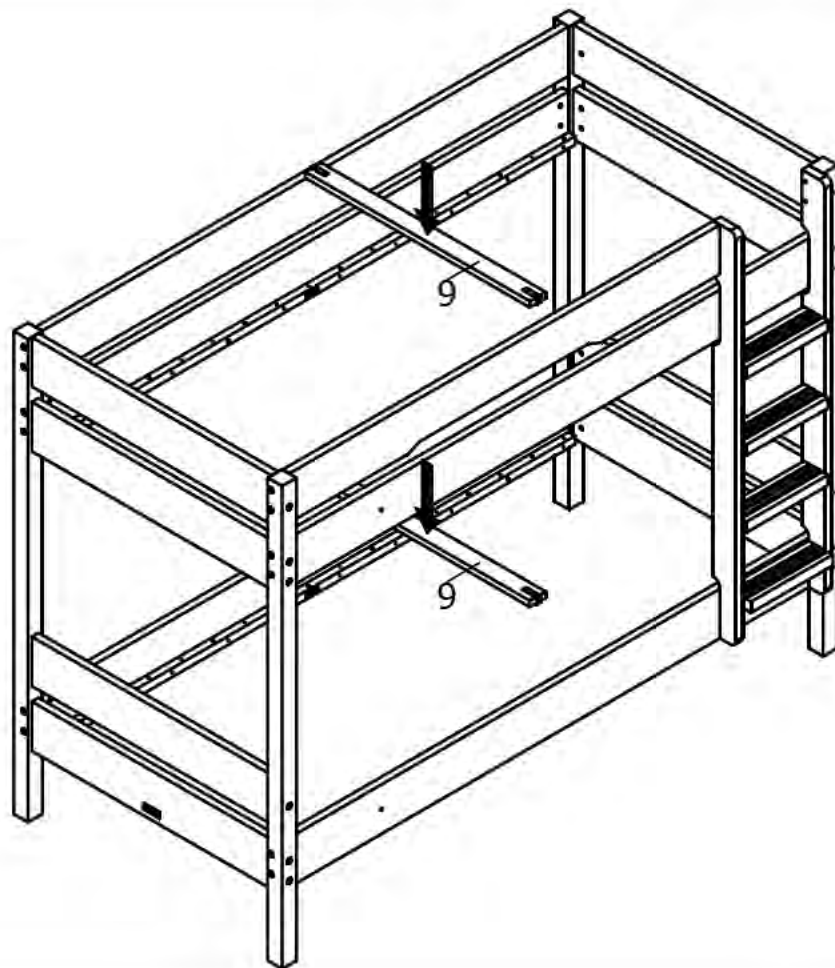
12



13



14



15

