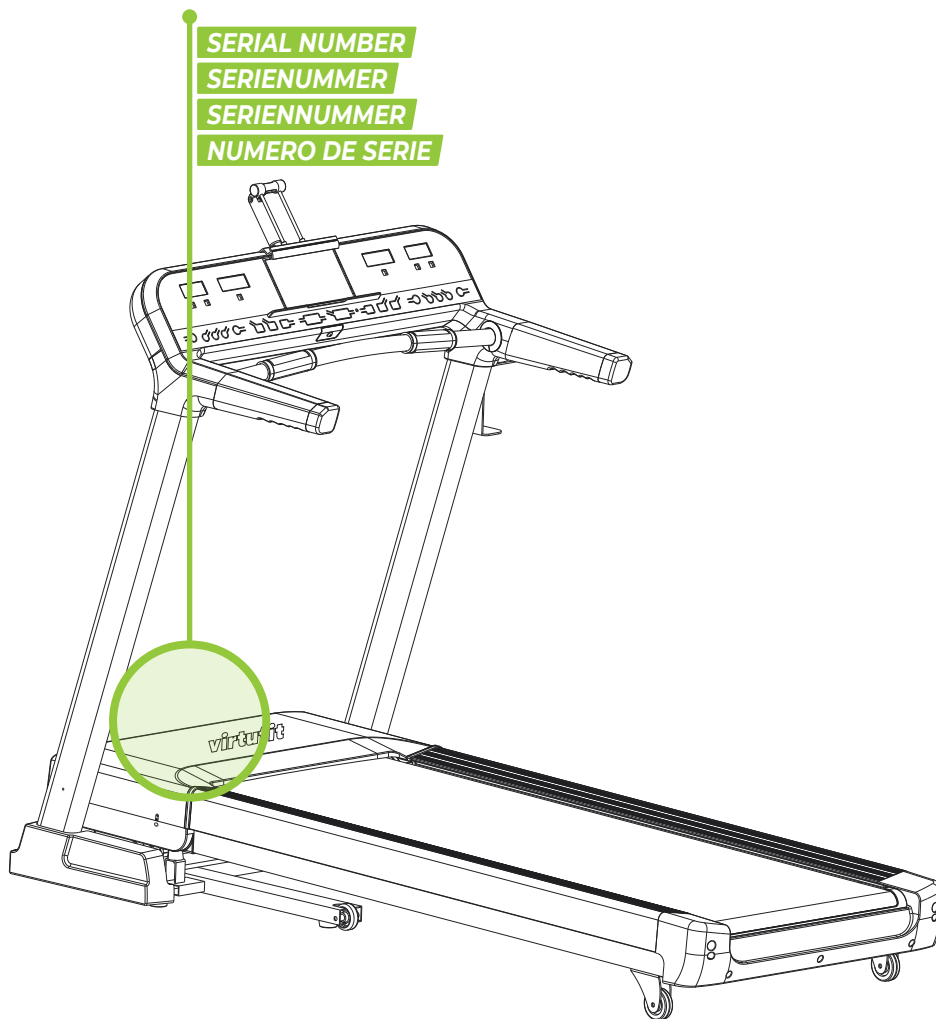


virtufit

TR-500i

VFLOTR-500i



USER MANUAL

HOW TO
RECYCLE



ASSEMBLY
VIDEO

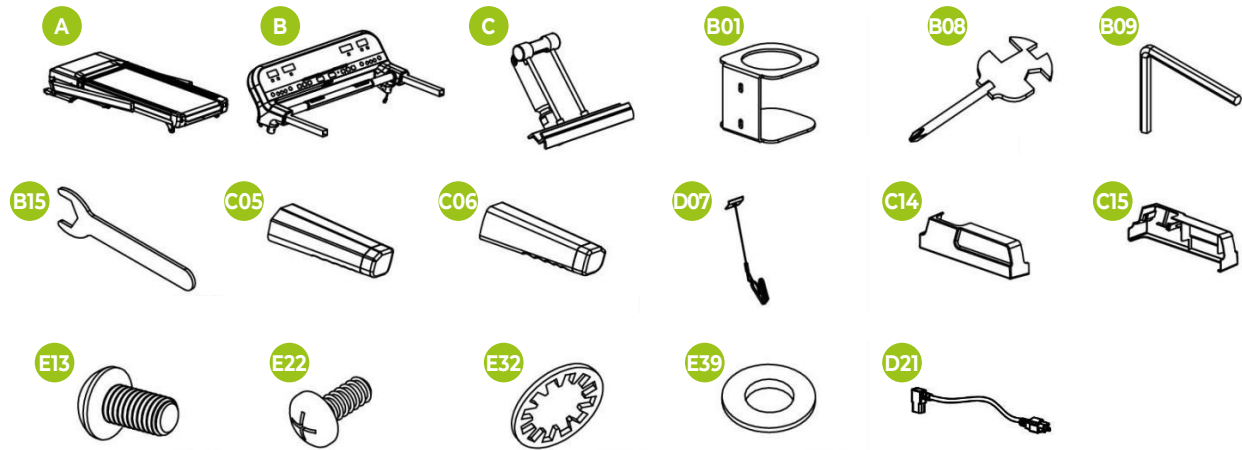


Instagram icon @virtufit_fitness

YouTube icon VirtuFit

Website icon www.virtufit.com

TOOLKIT



#	DESCRIPTION	QTY
A	Mainframe	1
B	Console	1
C	Tablet Holder	1
B01	Bottle Holder	1
B08	Cross Solid Wrench	1
B09	5# Allen Wrench	1
B15	Solid Wrench	1
C05	Left Foam Handlebar	1
C06	Right Foam Handlebar	1

#	DESCRIPTION	QTY
D07	Safety Key Module	1
D21	Power Cable	1
C14	Left Bottom Cover	1
C15	Right Bottom Cover	1
E13	Bolt	10
E22	Bolt	6
E32	Lock Washer	10
E39	Big Flat Washer	4

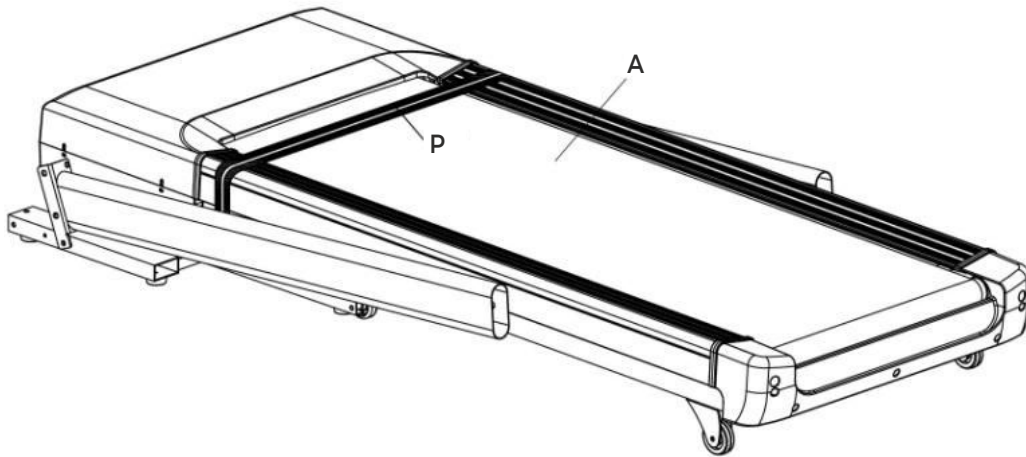
NOTE! Do not connect the unit to the power supply until it is fully assembled.

LET OP! Sluit het toestel pas aan op het stroom wanneer het volledig is gemonteerd.

HINWEIS! Schließen Sie das Gerät erst dann an das Stromnetz an, wenn es vollständig montiert ist.

REMARQUE! Ne connectez pas l'appareil à l'alimentation électrique avant qu'il ne soit entièrement assemblé.

STEP 01



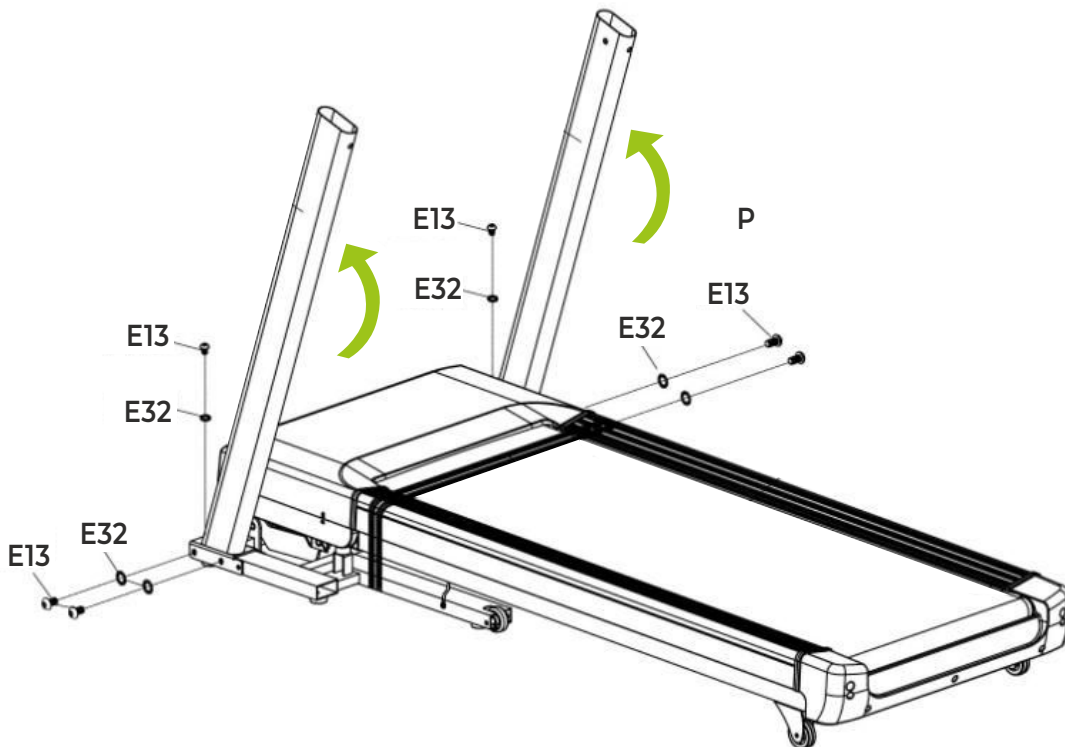
NOTE! Don't open the packag belt (P) before the treadmill is fully assembled.

LET OP! Open de verpakkingsband (P) niet voordat de loopband volledig gemonteerd is.

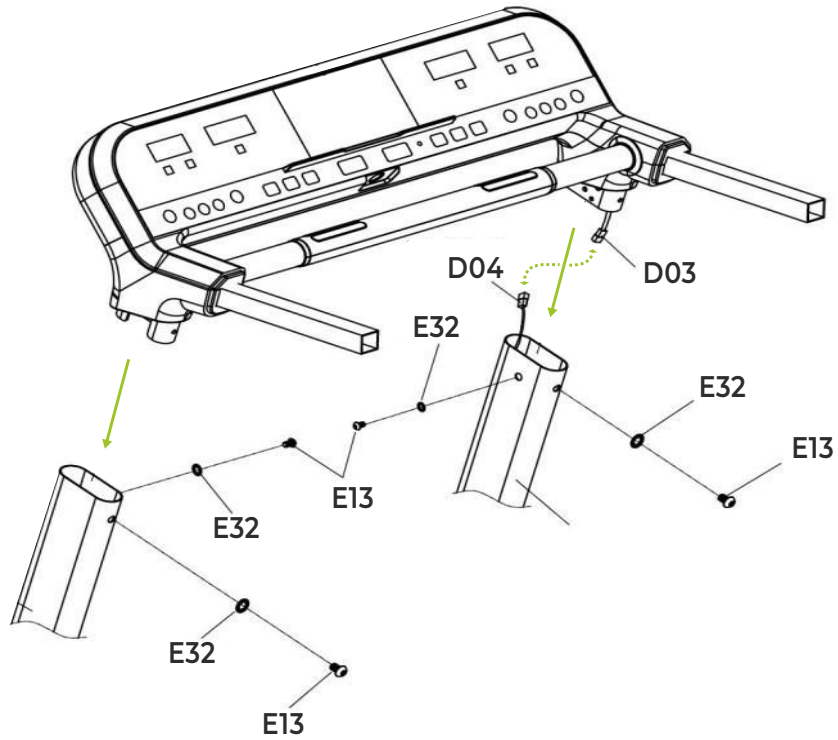
HINWEIS! Öffnen Sie das Verpackungsband (P) nicht, bevor das Laufband vollständig zusammengesetzt ist.

REMARQUE! Ne pas ouvrir la courroie d'emballage (P) avant que le tapis roulant ne soit entièrement assemblé.

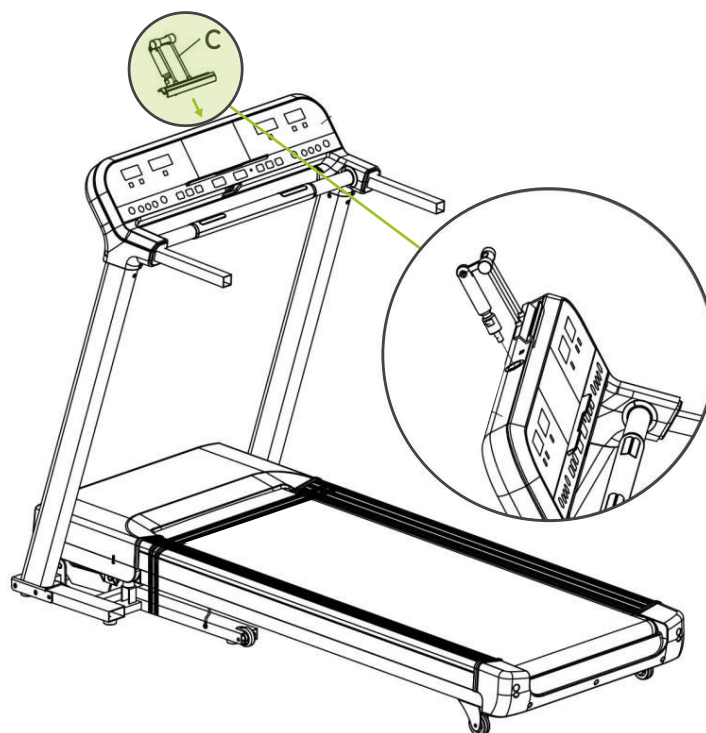
STEP 02



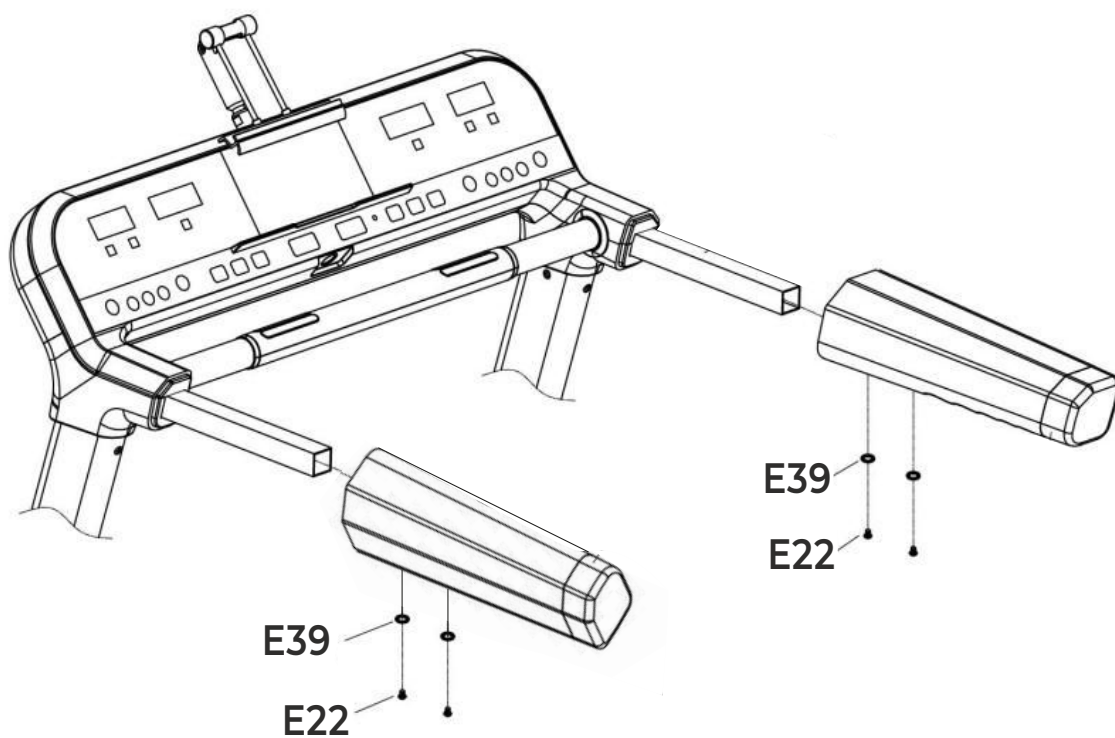
STEP 03



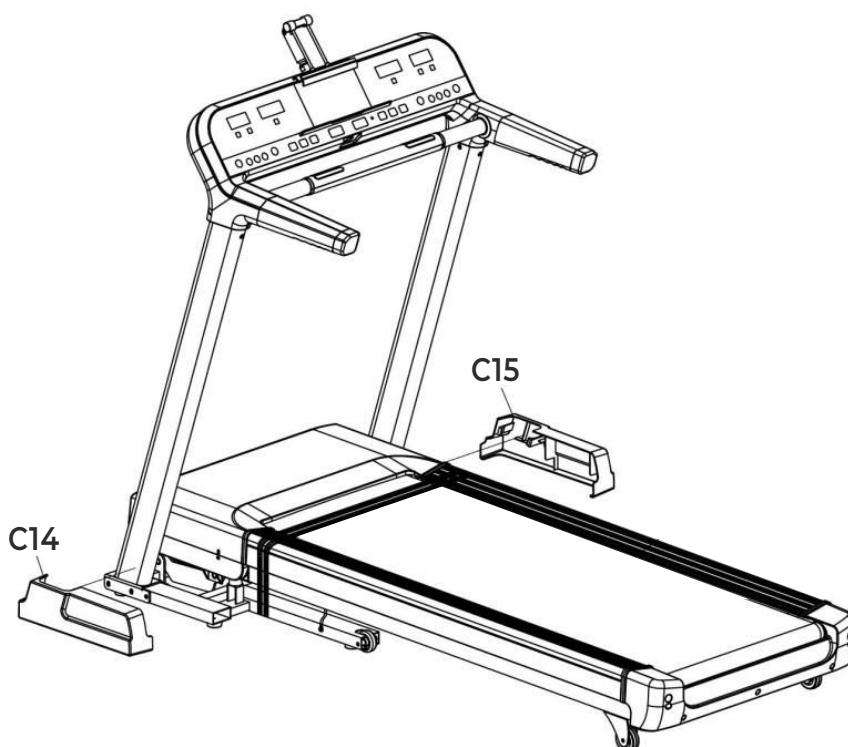
STEP 04



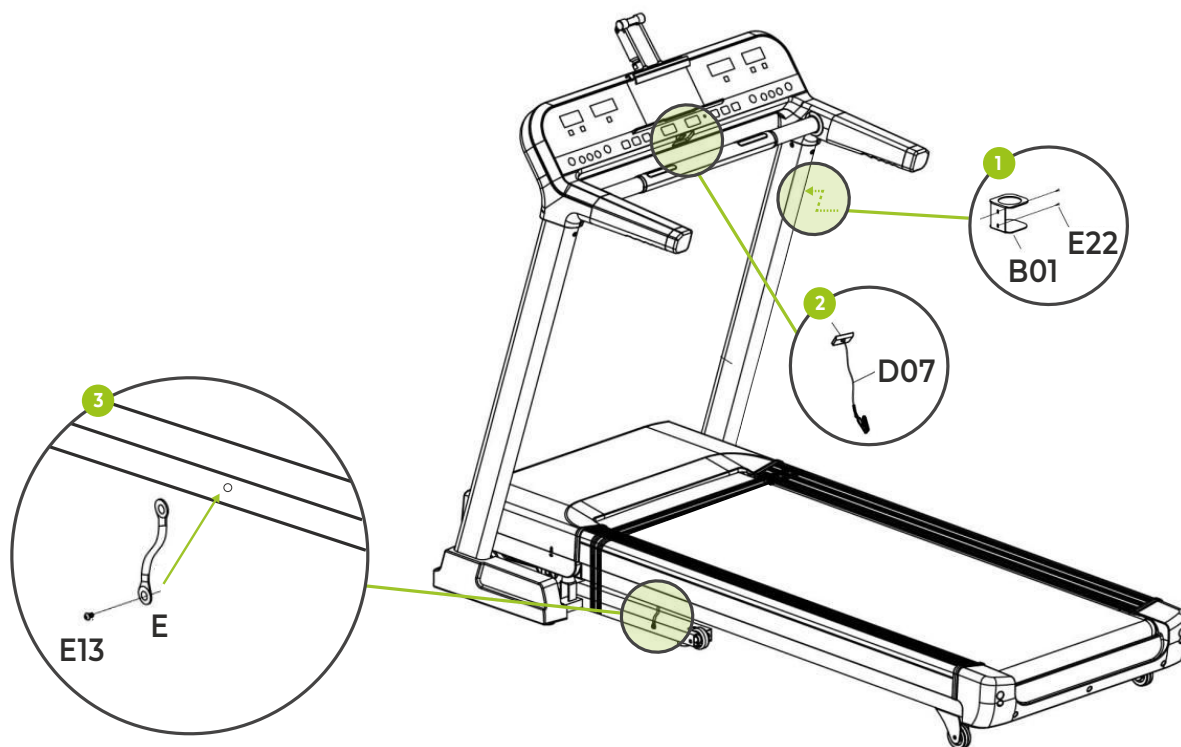
STEP 05



STEP 06



STEP 07



STEP 08

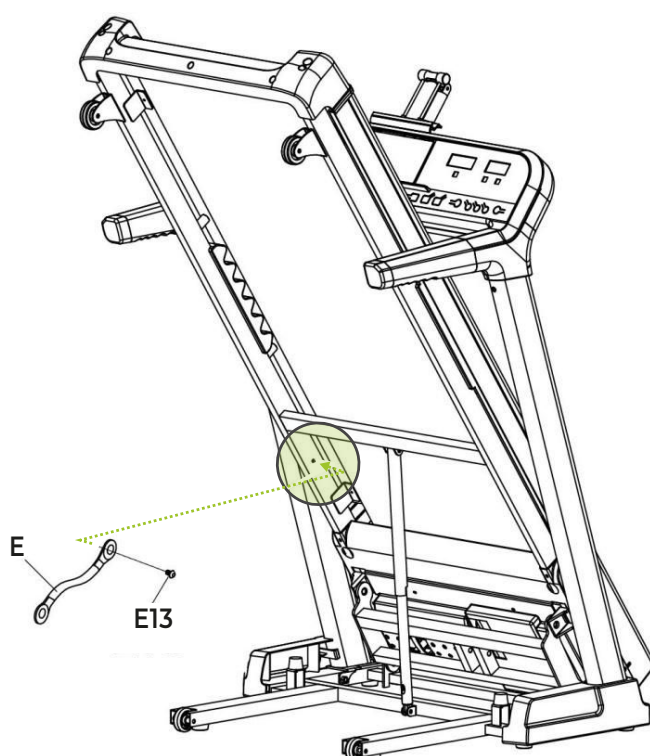
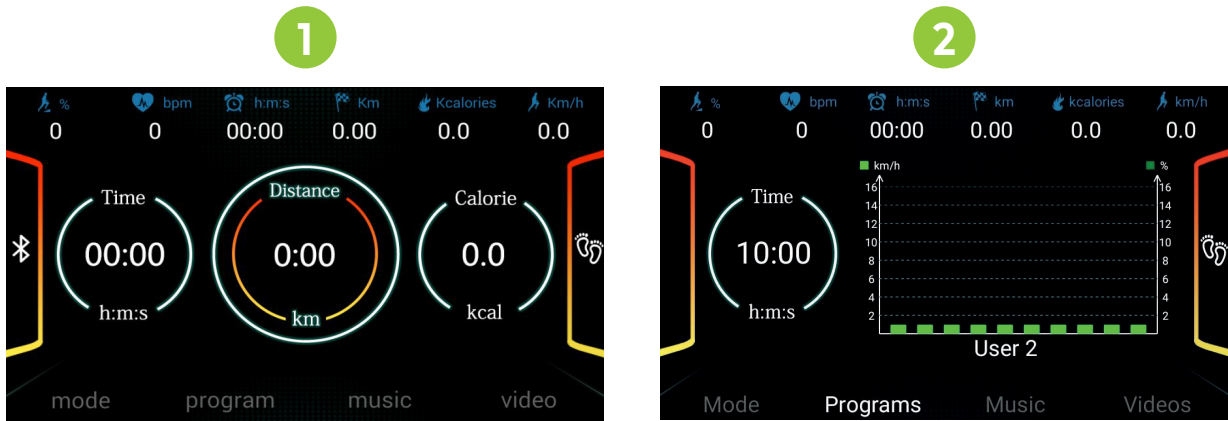


FIG. A



FIG. B



3

AGE	BPM		
	H	DEFAULT	L
15	195	123	123
16	194	122	122
17	193	122	122
18	192	121	121
19	191	121	121
20	190	120	120
21	189	119	119
22	188	119	119
23	187	118	118
24	186	118	118
25	185	117	117
26	184	116	116
27	183	116	116
28	182	115	115
29	181	115	115
30	181	114	114
31	180	113	113
32	179	113	113
33	178	112	112
34	177	112	112

AGE	BPM		
	H	DEFAULT	L
35	176	111	111
36	175	110	110
37	174	110	110
38	173	109	109
39	172	109	109
40	171	108	108
41	170	107	107
42	169	107	107
43	168	106	106
44	167	106	106
45	166	105	105
46	165	104	104
47	164	103	103
48	163	103	103
49	162	103	103
50	162	102	102
51	161	101	101
52	160	101	101
53	159	100	100
54	158	100	100
55	157	99	99
56	156	98	98
57	155	98	98

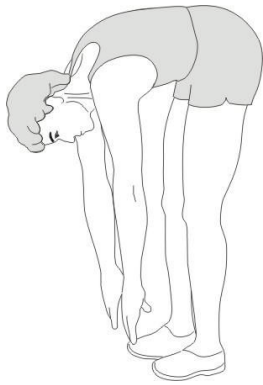
AGE	BPM		
	H	DEFAULT	L
58	154	97	97
59	153	97	97
60	152	96	96
61	151	95	95
62	150	95	95
63	149	94	94
64	148	94	94
65	147	93	93
66	146	92	92
67	145	92	92
68	144	91	91
69	143	91	91
70	143	90	90
71	142	90	89
72	141	90	89
73	140	90	88
74	139	90	88
75	138	90	87
76	137	90	86
77	136	90	86
78	135	90	85
79	134	90	85
80	133	90	84

FIG. B

TIJD PROGRAMMA		TIJDSINSTELLING/20 = INTERVAL TRAINING									
		1	2	3	4	5	6	7	8	9	10
P01	SPEED	2	4	3	4	3	5	4	2	5	3
	INCLINE	1	1	3	3	1	2	2	3	2	2
P02	SPEED	2	5	4	6	4	6	4	2	4	2
	INCLINE	1	2	3	3	2	2	3	4	2	2
P03	SPEED	2	5	4	5	4	5	4	2	3	2
	INCLINE	1	2	2	3	1	2	2	2	2	1
P04	SPEED	3	6	7	5	8	5	9	6	4	3
	INCLINE	2	2	3	3	2	2	4	6	2	2
P05	SPEED	3	6	7	5	8	6	7	6	4	3
	INCLINE	1	2	4	3	2	2	4	6	4	3
P06	SPEED	2	8	6	4	5	9	7	5	4	3
	INCLINE	2	2	6	2	3	4	2	2	2	1
P07	SPEED	2	6	7	4	4	7	4	2	4	2
	INCLINE	4	5	6	6	9	9	10	12	6	3
P08	SPEED	2	4	6	8	7	8	6	2	3	2
	INCLINE	3	5	4	4	3	4	4	3	3	2
P09	SPEED	2	4	5	5	6	5	6	3	3	2
	INCLINE	3	5	3	4	2	3	4	2	3	2
P10	SPEED	2	3	5	3	3	5	3	6	3	3
	INCLINE	4	4	3	6	7	8	8	6	3	3
P11	SPEED	2	5	8	10	6	9	5	3	2	2
	INCLINE	1	3	5	8	10	7	6	3	2	3
P12	SPEED	2	5	5	4	4	6	4	2	3	4
	INCLINE	3	5	6	7	12	9	11	11	6	3
P13	SPEED	2	7	4	7	8	9	4	5	3	2
	INCLINE	5	6	6	4	6	5	8	9	4	2

TIJD PROGRAMMA		TIJDSINSTELLING/20 = INTERVAL TRAINING									
		1	2	3	4	5	6	7	8	9	10
P14	SPEED	2	6	5	4	8	6	5	2	3	3
	INCLINE	5	6	5	8	4	5	5	10	6	3
P15	SPEED	2	6	5	4	8	7	5	3	3	2
	INCLINE	3	4	5	6	3	5	5	6	4	3
P16	SPEED	2	5	7	5	8	6	5	2	4	2
	INCLINE	1	5	6	8	12	9	10	9	5	3
P17	SPEED	2	5	6	7	8	9	10	5	3	4
	INCLINE	3	5	6	8	6	5	8	7	5	3
P18	SPEED	2	3	5	6	8	6	9	6	5	2
	INCLINE	5	7	5	8	6	5	9	10	6	2
P19	SPEED	3	7	6	5	9	7	6	3	5	2
	INCLINE	3	5	6	8	5	6	5	12	8	3
P20	SPEED	3	7	9	10	11	12	10	8	5	2
	INCLINE	2	5	6	7	6	5	8	6	3	2
P21	SPEED	3	6	8	7	9	10	5	8	3	2
	INCLINE	3	6	8	9	9	6	8	10	6	3
P22	SPEED	3	5	8	6	9	10	8	12	6	3
	INCLINE	2	6	8	10	12	10	12	8	5	2
P23	SPEED	3	5	9	11	12	8	6	5	3	2
	INCLINE	2	6	8	10	9	7	8	10	6	3
P24	SPEED	3	8	10	11	12	10	10	8	5	3
	INCLINE	3	6	8	9	10	12	9	6	3	2

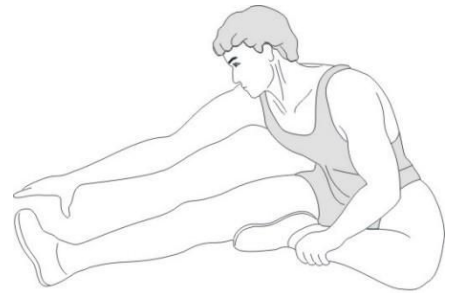
FIG. C



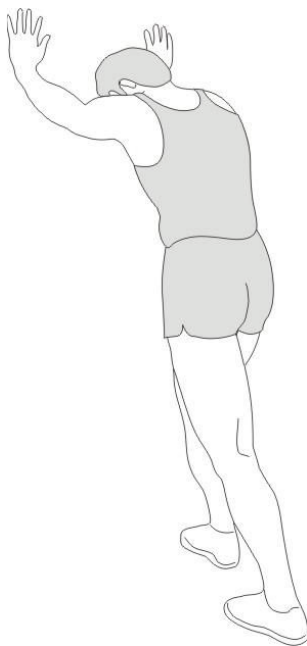
1



2



3



4



5

INDEX

Safety instructions	11
Guarantee	11
Assembly instructions	11
Adjusting	12
Folding instructions	12
Moving instructions	12
Security key	12
Training with heart rate	12
Training with fitness applications	13
Maintenance	13
Lubricating	14
Troubleshooting	14
Console	15
Programs	16
Training guidelines	18

SAFETY INSTRUCTIONS

WARNING!

Consult your doctor before you start exercising. This is particularly important for people with health problems. Please read all instructions before using the machine. VirtuFit assumes no responsibility for injury or property damage resulting from the use of this equipment. Please read this manual carefully before assembling and/or using the machine.

- Make sure that the machine is properly assembled and that all nuts and bolts are tight before using it.
- Do not wear loose clothing to avoid getting caught in moving parts.
- Install and use the unit on a solid, level surface.
- Always wear clean sports shoes when using the appliance.
- Keep children and pets away from the appliance when in use.
- Maintain your balance when using the device.
- Do not place your fingers or other objects in the moving parts.
- Before exercising, consult your physician to determine the appropriate frequency, duration and intensity of exercise for your age and physical condition. Stop exercising immediately if you experience nausea, shortness of breath, fainting, headache,

chest pain, tightness or any other discomfort.

- This machine should only be used by one person at a time.
- This machine is designed for domestic use and the maximum user weight is 150 kg.
- Leave 1-2 metres of space behind the machine to avoid accidents.
- Place the machine on a clean, flat surface. Do not place it on a thick carpet, as this may hinder the ventilation of the machine. Do not place the machine outdoors or near water.
- Keep the storage area dry, clean and level to prevent damage. Do not use the device for any purpose other than training.
- Use the device only in an environment where the ambient temperature is between 10°C and 35°C. Store the device only in an environment where the temperature is between 5°C and 45°C.

GUARANTEE

Warranty claims are excluded if the cause of the defect is the result of:

- Maintenance and repair work not carried out by an official dealer. Provided otherwise specified by the supplier
- Improper use, negligence and/or poor maintenance.
- Failure to maintain the appliance in accordance with the manufacturer's instructions.

ASSEMBLY INSTRUCTIONS (STEP 01-08)

Missing parts: If any parts are missing from the packaging, carefully check the polystyrene foam and the appliance itself. Some parts (bolts, screws, etc.) are already attached to the unit.

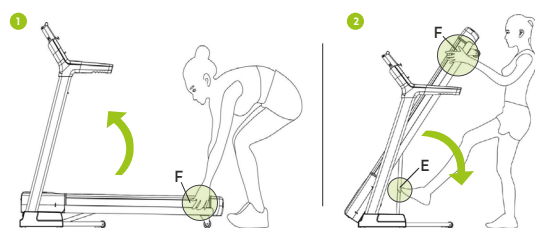
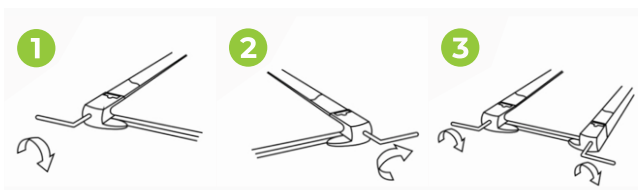
Error message: Make sure that all cables are carefully attached. The aluminium feet of the console are very sensitive and must be kept straight. If the console gives an error message after the machine has been mounted, the aluminium feet of the console may be bent. Straightening the aluminium feet may make the error message disappear.

Hex head bolts: Make sure that the hex head spanner is pushed into the bolt before applying force. This will prevent the head of the socket bolt from turning.

ADJUSTING

Adjusting

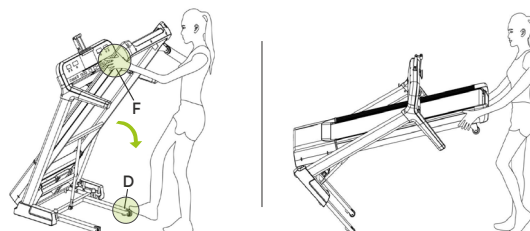
- The treadmill veers to the left:** Turn on the treadmill, set the speed to 2 to 3 km/h without forcing. Use the Allen key to turn the screw on the left side of the end of the treadmill a quarter turn to the right (1). Run the treadmill for 1 to 2 minutes without a load. Repeat the process until the treadmill is exactly in the middle.
- The treadmill turns to the right:** start the treadmill, set the speed to 2 to 3 km/h without a load on the treadmill. Using the hexagonal key, turn the screw on the right side of the end of the treadmill a quarter turn to the right (2). Run the treadmill for 1 to 2 minutes without a load.
- The treadmill has jammed:** Use the Allen spanner to turn the screw on the right side of the end half a turn to the right and the screw on the left side of the end half a turn to the right as well. Repeat the process until the blockage is resolved (3).



MOVING INSTRUCTIONS

NOTE! Keep the machine in a dry room and out of reach of children. Make sure the unit is stable and secure to prevent it from falling on children or pets.

- Support the treadmill with your hands at point F.
- With your hands (F), slowly push the treadmill down to the floor. When the lowest point with position F is reached, the wheels can be used.
- Push the treadmill to the place where it should be placed.



FOLDING AND UNFOLDING INSTRUCTIONS

NOTE! Keep the appliance in a dry room and out of reach of children. Ensure that the appliance is stable and secure so that it cannot fall on children or animals.

Folding (1)

- Support the treadmill with your hands at point F.
- Push the treadmill upwards until you hear a spring noise.
- The treadmill is folded.

CAUTION! Do not fold the treadmill while it is in use.

Unfolding (2)

- Support the treadmill with your hands at point F.
- Press point E with your foot and the treadmill will unfold.
- Hold the belt and guide it until it touches the floor.
- The treadmill is unfolded.

SECURITY KEY

Attach the end of the safety key to your clothing. If the safety key is pulled from the treadmill, the treadmill will make an emergency stop. The treadmill stops immediately. An alarm will sound three times and various data will appear on the display. Once the security key is reattached to the device, the device can be used again.

TRAINING WITH HEART RATE

Hand sensors

This VirtuFit fitness machine is equipped with hand sensors for measuring heart rate. The hand sensors are attached to the handle and only work if both sensors are held for a longer period of time. For optimal performance, it is important that the hands are slightly moist and exert constant pressure on the sensors. Hands that are too dry or moist may cause abnormal readings.

NOTE! To avoid interference, never use the hand sensors with a wireless heart rate monitor.

Wireless heart rate receiver (5 kHz)

This VirtuFit fitness device is equipped with a wireless heart rate receiver. For the heart rate measurement with a wireless heart rate monitor, you use a heart rate monitor which works on a 5 kHz frequency. With a wireless heart rate monitor, it is important that the electrodes are slightly moist and the heart rate monitor fits well to your body. Refer to your heart rate monitor's user manual for proper instructions. Incorrect use of the heart rate monitor may result in abnormal readings.

NOTE!

- A wireless heart rate monitor is not included as standard. Contact your dealer to purchase a wireless heart rate monitor.
- To avoid interference, never use the wireless heart rate monitor in combination with the hand sensors.

⚠ WARNING!

- If you have a pacemaker, we recommend that you consult your physician before using a wireless heart rate monitor
- In rooms with multiple heart rate monitors, it is recommended that you keep enough distance to avoid interference between different devices.
- Always try to keep the wireless heart rate monitor within a range of 1 meter from the console for optimal reception.
- Always wear a wireless heart rate monitor directly on the body, under clothing.

TRAINING WITH FITNESS APPLICATIONS

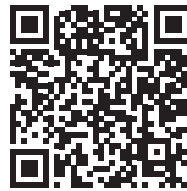
VirtuFit does not provide service for third party fitness applications such as Kinomap, iConsole, FitShow etc. If you encounter problems with a third party fitness application, please contact the developer of the application in question.

Instruction

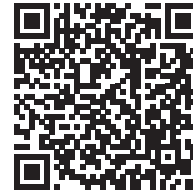
- To scan the QR code with an Android or IOS phone or tablet, a QR code scanner is required. The app for scanning QR codes can be downloaded from the App Store or Google Play Store.
- Scan one of the QR codes below to go directly to the App Store or Google Play Store page where the fitness app can be downloaded.

- Scan the QR code on the right to access the fitness app manual. The manual describes step by step how to connect the fitness app to the device, how the fitness app works and what its capabilities are.

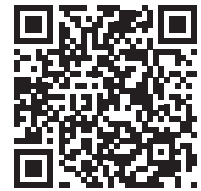
Fitshow



APP STORE



GOOGLE PLAY



MANUAL

Kinomap



APP STORE



GOOGLE PLAY



MANUAL

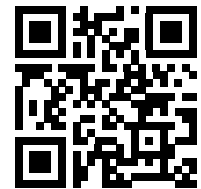
Zwift



APP STORE



GOOGLE PLAY



MANUAL

MAINTENANCE

Safe and efficient use can only be achieved if the appliance is properly installed and maintained. It is your responsibility to ensure that the appliance is maintained regularly. Parts that have been used and/or damaged must be replaced before the appliance is used again. The appliance should only be used and stored indoors. Long-term exposure to weather and temperature/humidity changes can have a serious impact on the electrical components and moving parts of the unit. Always unplug the power cord from the unit before cleaning or servicing it.

Daily maintenance

- Clean and remove sweat and moisture after each use.

- Check that the unit is free of dust and dirt.
- Do not use aggressive cleaning agents and keep the device away from moisture.

Semi-annual maintenance

- Inspect all nuts and bolts on the moving parts of the machine. Tighten bolts and nuts as necessary and appropriate.
- Remove dust from the treadmill. Switch off the treadmill and remove the power supply. Carefully remove the cover and wipe off any dust and dirt with a soft cloth or use a (hand) Hoover if necessary. Replace the cover and turn the power back on.

We recommend the following:

- Clean the unit after use.
- Use a dry cloth to clean the control panel and the areas around the on/off switch.
- Use a soft, clean cloth and detergent to remove stubborn marks and dirt from the unit.
- Store the unit in a safe, dry place away from heat and water.

CAUTION!

- *Repairs must be carried out by a professional technician, unless otherwise specified by the supplier or manufacturer.*
- *To avoid slipping during exercise, the treadmill belt should not be too loose. To avoid abrasion between the roller and the treadmill and to ensure proper operation of the machine, the treadmill should not be too tight. The distance between the step and the belt can be adjusted. The distance between the step and the belt should be 50 to 75 mm on both sides.*

Cleaning

General cleaning of the unit will extend its life. Keep the appliance clean by dusting it regularly. Regular maintenance will prolong the life of your appliance and prevent injuries! For more information, please visit <https://www.virtufit.nl/service/faq/>

CAUTION! *Wear clean shoes to reduce the risk of soiling the machine. At least once a year, remove the cover to remove dust.*

LUBRICATING THE TREADMILL

The treadmill is equipped with a pre-lubricated coating that requires little maintenance. Wear and tear of the treadmill plays an important role in the function and durability of the treadmill and should therefore

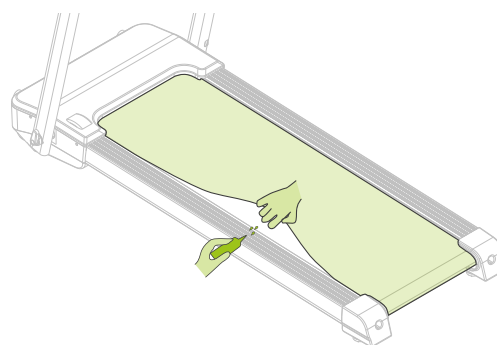
be lubricated periodically. We recommend that you check the treadmill regularly.

Recommended lubrication of the treadmill

The treadmill displays a message on the screen when 300 km have been covered. This is an automated reminder from the system that the treadmill needs to be lubricated.

Instruction

- Lift the treadmill and clean it with a damp cloth to remove dirt and dust.
- Apply a small amount of silicone oil under the treadmill. To do this, use a silicone spray bottle or drip two or three drops of silicone oil along the length of the belt. Do this on both sides of the treadmill.
- Turn on the treadmill and let it run for three minutes without standing on it. This ensures that the silicone oil is properly distributed on the belt and that excess oil is removed.
- Check the condition of the treadmill regularly and reapply silicone oil if necessary. Make sure that the belt is clean and dry before riding on it.



CAUTION! *Regular maintenance will prolong the durability of the treadmill and prevent injury!*

TROUBLESHOOTING

There is no signal when the power supply is connected

Check that the cables to the console are connected correctly. Make sure that all cables are securely fastened. The aluminium ends of the console cables are very sensitive and should be kept straight. If the console issues an error message, the aluminium ends of the cable may be tilted. Straighten the aluminium ends, which may resolve the error message.

No power: Check that the adapter and cables are properly connected.

Loss of power: Check that the sensor cable is correctly connected.

Security key does not work: check that the security key is correctly attached.

CONSOLE (FIG. A)



INCLINE/CALORIES: The display shows the number of calories burned. This is an indication that may differ from the actual number. The counter counts from 0 to 999, when you reach 999, it starts again at 0. When you count down, the counter goes to 0 and when the counter reaches 0, the treadmill slowly goes into sleep mode. When incline is selected, the treadmill displays 0-15%. If not, the treadmill will display a calorie screen after 30 seconds.



TIME: Indicates the duration of the run.

KM: Indicates distance in kilometres.

SPEED/HEART RATE: The display shows your current speed from 0.8 to 20.0 km/h. When you hold the heart rate sensor, the current heart rate is displayed 50-200/min (data cannot be used for medical purposes and is indicative).

INCLINE: Displays the incline height/position.



INCLINE: Press these buttons to adjust the angle of the incline. You must do this while using the treadmill. If you press the button for more than 0.5 seconds, the incline will continue to increase or decrease.



Press the **MODE** button again to select 15:00, 1.00, 50.0 and 5 strokes: this is the calorie countdown mode, 0:00 is the manual mode.



PLAY/PAUSE: to stop or start music or video.



Press this button to select one of the three entertainment modes: standby mode, audio mode and video mode. When playing a video, press this button to watch it in full screen.



When you attach the safety key to your clothing and have connected the power, you can press this button to start the treadmill.



Safety key.



Stop the workout.



MP3: You can connect your mobile phone or tablet with an AUX cable to listen to music.



Press and hold the button to lower the volume when listening to music or watching a video.



Press and hold the button to increase the volume when listening to music or watching a video.



Press the **PROG** button and the treadmill will display the following: P1-P2.....P24--U1--U3--HP1--HP2--FAT in order (P1-P24 are preset programs, U1-U3 are user based programs, HP1-HP2 is a heart rate control program, and FAT is a body fat test function).



SPEED 6,8,10: Indicates speed.



Speed control button. When the treadmill is in use, you can press this button to adjust the speed. It adds or subtracts 0.1 KM each time you press either button. If you press the button for more than 0.5 seconds, the speed will continuously decrease or increase.

Features



Slope.



Hold the heart rate sensor for a few seconds and your heart rate will be displayed between 50 and 200/min (the data cannot be used for medical purposes and is indicative).



Time.



Distance.



Calories.



Speed.



Bluetooth connection and application.



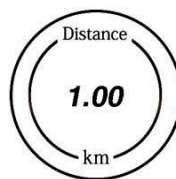
Stopwatch.



Distance.



Calories.



Screen: 0.-999 When you reach 999, the system will return to 0. In countdown mode, the default calorie will decrease from 50.0 to 0. The system will give you a score and go into sleep mode.



Screen: 0.-999 When you reach 999, the system will return to 0. In countdown mode, the default calorie will decrease from 50.0 to 0. The system will give you a score and go into sleep mode.

PROGRAMS (FIG.B, 1-3)

Displaying the home page (FIG. B-1)

There are four functions on the home page: MODE, PROGRAM, MUSIC and VIDEO. There are 3 different functions, CONTEST MODE, MANUAL MODE and UNDER MODE. There are also 24 preset programs, 3 manual programs, 2 HCR programs (optional) and 1 FAT test program.

Quick start

- Turn on the treadmill and attach the safety key to your clothing.
- Press START and the treadmill will reach a speed of 0.8 km/h. After the beeps count down, the countdown will change from 3 to 1.
- You can then adjust the speed to your liking by pressing SPEED.

Description of functions

Press MODE to start the timer mode. Press MODE repeatedly to select "15:00", "1.00", "50.0", "contest mode" and "0.00" (15:00 is a time mode, 1:00 is a distance mode, 50:0 is a calorie mode, 0:00 is a manual mode). When you have chosen a mode, you can set -SPEED+ or -INCLINE+. When you are ready, press START and the treadmill will begin to run.



Displays the workout time from 0:00 to 18:00. When you reach 18:00, the countdown starts from 0 and the treadmill continues. In countdown mode, the display will show 15:00 to 0:00. When you reach 0:00, the treadmill stops. The system itself gives you a score and goes into sleep mode.

Manual Mode (FIG. B-2)

Press "START" and the treadmill will run at a speed of 0.8km/hr. All other screens will count down from 0. Press "-SPEED+" to adjust the speed. Press "-INCLINE+" to adjust the incline.

There are 3 user programs. These are user1, user 2 and user 3.

- Press PROG until user 1 appears.
- Press INCLINE or SPEED to set the workout time.
- Press MODE to get the workout data. Press INCLINE or SPEED to set the workout time, speed and incline for the first level. Press MODE to set the data for the next level. Repeat the above steps to set the data for the other 8 levels. When you have finished setting all the data, everything is saved until you reset the program. After setting the data, you can press START to begin your workout.

ITEM	INITIAL	DATA	RANGE	DISPLAY
TIME	0:00	30:00	5:00 - 99:00	0:00 - 99:59
INCLINE	0	0	0 - 15	0 - 15
SPEED	0.0	0.8	0.8 - 20	0.8 - 20
DISTANCE	0.00	1.00	0.50 - 99.00	0.00 - 99.99
HEART	P	N/A	N/A	50 - 200
CALORIE	0	50.0	10.0 - 999	0.0 - 999

Countdown mode

- Countdown mode: Press MODE to start the countdown mode. The default time 15 will start to appear on the display. Press "-INCLINE+" or "-SPEED+" to change the time from 5:00 to 99:00.
- Distance countdown mode: Press "MODE" to start the distance countdown mode. The default distance will start at "1.00" which is displayed on the screen. Press "-INCLINE+" or

"-SPEED+" to change the distance from 0.5 to 99.9.

- Calorie countdown mode: Press "MODE" to start the calorie countdown mode. The default calorie countdown will start at "50.0", which is displayed on the screen. Press "-INCLINE+" or "-SPEED+" to change the distance from 10.0 to 999.0.
- Once you have completed your workout, the display will immediately show your running data.

Match mode

Press and hold MODE to start the match mode. There are 6 race modes. They are 3.0 km, 5.0 km, 10.0 km, 5.0 km, 21.1 km and 42.19 km.



C 0%

C = COMPUTER. The display shows the distance percentage of the machine. The default speed of the machine is 9km/h. You can adjust the speed of the machine by changing the running time.



U 0%

U = USER. The display shows the user's distance percentage.

DISTANCE OF RUN	AUTOMATIC TIME
3 km	18:00 minutes
5 km	30:00 minutes
10 km	01:00:00 minutes
15 km	01:30:00 minutes
21,10 km	02:06:35 minutes
42,19 km	04:13:10 minutes

Press MODE, select your preferred race distance and press "-INCLINE+" or "-SPEED+" to change the race time. Press START to start.

Preset program

Press PROG to start the program. Press "PROG" to select one of the following programmes: Program1-24, U1-U2-U3, HP1-HP2, FAT in order. There are 30 different predefined programs. FAT is a fat test programme.

Time

Programme duration: The automatic duration is 10 minutes. Press "-INCLINE+" or "-SPEED+" to change the time from 5 to 99.

Main programme: Each programme is divided into 10 levels.

- Press PROG, the display will show "Programme 1-24".
- Select your preferred programme. The default time is 10:00. Press "-INCLINE+" or "-SPEED+" to change the time.
- Press START to begin your workout. Press "-INCLINE+" or "-SPEED+" to change the speed or incline during exercise at each level.
- When you have completed the previous level, the system will move to the next level where the speed and incline will be adjusted to your level.
- After completing each program, the system assigns you a score.
- Program overview. Each programme is divided into 10 levels and each level has its own speed and incline.

Programme HRC

Press the MODE button until "Heart Rate Program1" or "Heart Rate Program2" appears.

- Each HRC program is divided into 10 levels.
- In standby mode, press PROG until "Heart rate program 1" or "Heart rate program 2" appears. The maximum speed for this program is 10.0km/h. Note: When you press "start" in HRC mode, the system requests a heart rate check. Owner setting, if age is 30, the target heart rate should be 114. Setting for the user, at age 30, the target heart rate is 114.
- Press MODE to change the age by pressing "-INCLINE+" or "-SPEED+". The age can be set between 15 and 80 years.
- After setting your age, press "MODE" and the system will suggest an appropriate target which will be displayed on the screen. You can also press "-INCLINE+" or "-SPEED+" to set an expected heart rate based on your physical condition, from 84 to 133.
- When you have set your age and heart rate options, press "MODE" to begin setting the time. The display will show "TIME" when you press it will show 10:00, press "-INCLINE+" or "-SPEED+" to adjust the time from 10:00 to 99:00.
- When you have finished all the settings, you can press START to start.
- When you press "-INCLINE+" or "-SPEED+" to adjust the incline or speed, the system will adjust the speed and incline itself to the settings suitable for your physical condition.
- The first minute of the HRC programme is a warm-up, you can set the speed and incline manually. The system accelerates by 0.5 km at a time, which is automatic after the first minute depending on your heart rate. When the current speed is above 10 km/h in HP1 or 12 km/h in HP2 and your current heart rate is below your target heart rate, the system automatically adjusts the incline until your heart rate reaches your target heart rate. If the heart rate does not maintain itself beyond 30 seconds, the system reduces the speed by 0.5 km/h and the incline by one section every 10 seconds until the lowest point is reached.

NOTE!

- In HP1 or HP2 mode, press **START** directly and the treadmill will automatically process the data.
- The heart rate monitoring program is only available when the chest belt has been used and is close to the chest and skin.

General heart rate zones (FIG. B-3)


For intensive training, ask your doctor for advice.

- Healthy heart rate zone: 50%-60% of maximum heart rate. It is suitable for most beginners. It is good for weight loss, lowering blood pressure and cholesterol.
- Temperature zone: 60%-70% of maximum heart rate. It is good for weight loss and burning more calories.
- Aerobic zone: 70%-80% of maximum heart rate. It is good for the heart and lungs.
- Anaerobic threshold zone: 80%-90% of maximum heart rate. This is a very intense workout and is suitable for advanced trainers.
- Red Line Zone: 90%-100% of maximum heart rate. This is a limited workout for users. Please do not use it for too long, as it may damage your health..

Body Fat Test

- Press **PROG** to start the **FAT** mode. Enter your gender, age, height and weight. Once you have done this, hold the sensor on your wrist for more than 8 seconds. You will then see the results displayed on the screen.
- A Body Mass Index (BMI) of between 20 and 25 is ideal. When the BMI is below 19, it means you are underweight. When BMI is between 26 and 29, it means you are underweight. When BMI is between 26 and 29, it means you are slightly overweight. When the BMI is 30 or more, it means you are overweight. This data is provided as a guide and should not be used for medical purposes.

Media

Press to  change modes or music and video. When the video option is selected and a video is playing, press to display the video on the entire screen.

Power save mode

If the treadmill is not used for 10 minutes, it will go into power save

mode. You can exit this mode by pressing any button.

Turning off the power

To extend the life of the treadmill, first press the **STOP** button. Then press the switch to turn it off. Then remove the plug and finally the safety key. If you remove the safety key immediately, the power will be turned on unnecessarily.

TRAINING GUIDELINES (FIG. C, 1-5)

A successful training program includes a warm-up, the actual training and a cool-down. Perform the complete training program at least twice, but preferably three times a week and keep a rest day between training sessions. After a few months, the intensity of the training can be increased, for example to four or five times a week.

The warm-up

The purpose of a warm-up is to prepare the body for training and to reduce the risk of injury. Warm up your body for two to five minutes before starting a cardio or strength training session. Do exercises that increase the heart rate and warm up the working muscles. Examples of this type of activity are running, jogging, jumping jacks, skipping and running in place.

Stretching

Stretching while the muscles are warm is very important after a good warm-up and cool-down. It reduces the risk of injury. Stretching exercises should be held for 15-30 seconds. Here are some examples of stretching exercises:

- Toe touch (Fig. C-1)
- Inner thigh stretch (Fig. C-2)
- Hamstring stretch (Fig. C-3)
- Achilles stretch (Fig. C-4)
- Side stretch (Fig. B-5)

Cooling down

The purpose of the cool-down is to return the body to its (near) normal resting position at the end of the workout. A good cool-down slowly reduces your heart rate and promotes recovery.

INHOUD

Veiligheidsinstructies	16
Garantie	16
Montage Instructies	17
Afstellen	17
In- en uitklapinstructies	17
Verplaatsen	17
Veiligheidssleutel	18
Trainen met hartslag	18
Trainen met fitness apps	18
Onderhoud	19
Insmeren van de loopband	19
Probleemoplossingen	20
Console	20
Programma's	21
Trainingsrichtlijnen	24

VEILIGHEIDSLINSTRUCTIES

⚠ WAARSCHUWING!

Raadpleeg uw arts voordat u begint met trainen. Dit is in het bijzonder belangrijk voor personen met gezondheidsproblemen. Lees alle instructies alvorens het toestel gebruikt wordt. VirtuFit neemt geen verantwoordelijkheid voor geleden letsel of materiële schade door het gebruik van dit toestel. Lees deze handleiding zorgvuldig door, voordat u begint met monteren van het toestel en/of er gebruik van gaat maken.

- Zorg ervoor dat het toestel voor gebruik correct is gemonteerd en alle bouten en moeren zorgvuldig zijn vastgedraaid.
- Draag geen loszittende kleding om te voorkomen dat deze in bewegende delen verstrikt raakt.
- Stel het toestel op en gebruik deze op een stevige, effen ondergrond.
- Draag altijd schone sportschoenen bij gebruik van het toestel.
- Houd kinderen en huisdieren uit de buurt van het toestel, terwijl deze in gebruik is.
- Zorg dat u evenwicht behoudt tijdens gebruik van het toestel.

- Plaats geen vingers of andere voorwerpen in de bewegende delen.
- Raadpleeg voorafgaand aan een training uw arts om de trainingsfrequentie, tijd en intensiteit vast te stellen die geschikt is voor uw leeftijd en conditie. Stop onmiddellijk met trainen in geval van misselijkheid, kortademigheid, flauwvallen, hoofdpijn, pijn, benauwdheid in de borst of enig ander ongemak.
- Dit toestel dient door slechts één persoon tegelijk te worden gebruikt.
- Dit toestel is gemaakt voor thuisgebruik en het maximaal gebruikersgewicht bedraagt 150 kg.
- Houd 1 á 2 meter ruimte vrij achter het toestel om eventuele ongelukken te voorkomen.
- Plaats het toestel op een schone en vlakke ondergrond. Plaats het toestel niet op dik tapijt waardoor het ventilatie kan belemmeren. Plaats het toestel niet buiten of in de buurt van water.
- Het toestel is voor binnengebruik en niet voor buitengebruik. Houd de opslagplek droog, schoon en vlak om schade te voorkomen. Het is verboden om het toestel voor andere doeleinden te gebruiken dan voor de trainingen.
- Gebruik het toestel alleen in een omgeving met een omgevingstemperatuur tussen 10 °C en 35 °C. Berg het toestel alleen op bij een omgevingstemperatuur tussen 5 °C en 45 °C.

GARANTIE

Aanspraak op garantie is uitgesloten indien de oorzaak van het defect het gevolg is van:

- Onderhoudsmontage en reparatiewerkzaamheden die niet door een officiële dealer zijn uitgevoerd. Mits anders door de leverancier aangegeven.
- Bij ondeugdelijk gebruik, verwaarlozing en/of gebrek aan onderhoud.
- Het niet volgens de fabrieksvorschriften onderhouden van het toestel.

MONTAGE INSTRUCTIES (STEP 01-08)

Missende onderdelen: Indien bepaalde onderdelen missen in de verpakking, controleer dan zorgvuldig het piepschuim en het toestel zelf. Sommige onderdelen (bouten, schroeven, etc.) zitten al bevestigd aan/in het toestel.

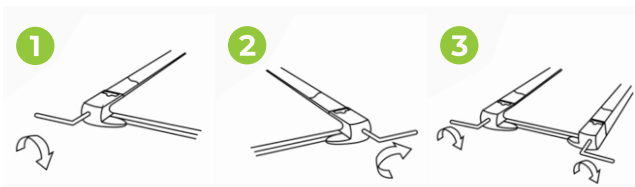
Foutmelding: Let er op dat alle kabels voorzichtig worden bevestigd. De aluminium pootjes van het console zijn zeer gevoelig en deze dienen recht te blijven. Mocht het console een foutmelding geven na de montage van het toestel dan kan het zijn dat de aluminium pootjes van het console schuin staan. Buig de aluminium pootjes weer recht, dit laat de foutmelding mogelijk verdwijnen.

Inbusbouten: Zorg ervoor dat de inbusleutel goed in de bout zit voordat er kracht op de sleutel wordt gezet. Op deze manier wordt voorkomen dat de kop van de inbusbout wordt dolgedraaid.

AFSTELLEN

Band afstellen

- 1. Loopband wijkt af naar links:** Start de loopband, stel de snelheid in op 2 tot 3 km/u zonder de loopmat te belasten. Gebruik de inbusleutel om de schroef aan de linkerkant van het uiteinde een kwartslag naar rechts te draaien (1). Laat de loopband gedurende 1 tot 2 minuten zonder belasting draaien. Herhaal het proces totdat de loopmat precies in het midden zit.
- 2. Loopband wijkt af naar rechts:** Start de loopband, stel de snelheid in op 2 tot 3 km/u zonder de loopmat te belasten. Gebruik de inbusleutel om de schroef aan de rechterkant van het uiteinde een kwartslag naar rechts te draaien (2). Laat de loopband gedurende 1 tot 2 minuten zonder belasting draaien. Herhaal het proces totdat de loopmat precies in het midden zit.
- 3. Loopband vastgelopen:** Gebruik de inbusleutel om de schroef aan de rechterkant van het uiteinde een halve slag naar rechts te draaien en de schroef aan de linkerkant van het uiteinde ook een halve slag naar rechts te draaien. Herhaal het proces totdat de blokkering is opgelost (3).



IN- EN UITKLAPINSTRUCTIES

LET OP! Berg het apparaat op in een droge ruimte uit de buurt van kinderen. Zorg ervoor dat het apparaat stabiel en veilig staat waardoor het niet om kan vallen op dieren of kinderen.

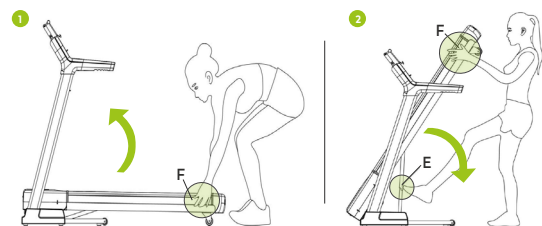
Inklappen (1)

- Ondersteun de loopband met je handen bij punt F.
- Duw de loopband omhoog totdat je een klik hoort van de veer.
- De loopband is ingeklapt.

LET OP! De loopband niet inklappen wanneer deze in gebruik is.

Uitklappen (2)

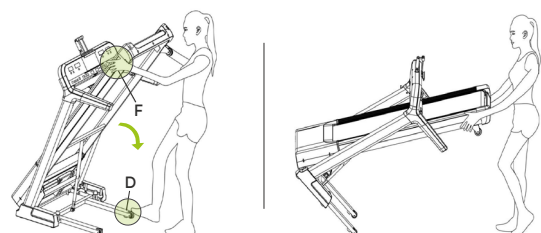
- Ondersteun de loopband met je handen bij punt F.
- Druk tegen punt E met je voet en de loopband zal uitklappen.
- Houd de band vast en begeleid het totdat het de grond raakt.
- De loopband is uitgeklaapt.



VERPLAATSEN

LET OP! Berg het apparaat op in een droge ruimte uit de buurt van kinderen. Zorg ervoor dat het apparaat stabiel en veilig staat waardoor het niet om kan vallen op dieren of kinderen.

- Ondersteun de loopband met je handen bij punt F.
- Duw met je handen (F) de loopband langzaam richting de grond. Wanneer het laagste punt met positie F is bereikt, kunnen de wielen worden gebruikt.
- Duw de loopband naar de plek waar deze moet komen te staan.



VEILIGHEIDSSLEUTEL

Maak het uiteinde van de veiligheidssleutel vast aan je kleding. Als de veiligheidssleutel uit de loopband wordt getrokken, maakt de loopband een noodstop. De loopband stopt direct. Er gaat driemaal een alarm af en op het display verschijnen verschillende gegevens. Wanneer de veiligheidssleutel weer aan het apparaat is bevestigd, kan het apparaat weer worden gebruikt.

TRAINEN MET HARTSLAG

Handsensoren

Dit VirtuFit fitnessstoestel is voorzien van handsensoren voor het meten van de hartslag. De handsensoren zitten bevestigd op het handvat en werken alleen als beide sensoren voor een langere periode worden vastgehouden. Voor een optimale werking is het belangrijk dat de handen licht vochtig zijn en constante druk uitoefenen op de sensoren. Te droge of vochtige handen kunnen zorgen voor een afwijkende meting.

LET OP! Gebruik de handsensoren nooit samen met een draadloze hartslagmeter om storing te voorkomen.

Draadloze hartslagmeter (5 kHz)

Dit VirtuFit fitnessstoestel is voorzien van een draadloze hartslagontvanger. Voor de hartslagmeting met een draadloze hartslagmeter gebruikt u een hartslagmeter welke werkt op een 5 kHz frequentie. Bij een Draadloze hartslagmeter is het belangrijk dat de elektroden licht vochtig zijn en de hartslagmeter goed aansluit op uw lichaam. Raadpleeg de gebruikershandleiding van uw hartslagmeter voor de juiste instructies. Onjuist gebruik van de hartslagmeter kan zorgen voor een afwijkende meting.

LET OP!

- Een draadloze hartslagmeter wordt niet standaard meegeleverd. Contacteer uw dealer voor de aanschaf van een draadloze hartslagmeter.
- Gebruik de draadloze hartslagmeter nooit in combinatie met de handsensoren om storing te voorkomen.

⚠ WAARSCHUWING!

- Indien u een pacemaker heeft raden wij aan uw huisarts te raadplegen voordat u een draadloze hartslagmeter gebruikt.
- In ruimte met meerdere hartslagmeter raden wij aan voldoende afstand te houden om storing tussen verschillende

apparaten te voorkomen.

- *Probeer de draadloze hartslagmeter altijd binnen een bereik van 1 meter vanaf het console te houden voor een optimaal ontvangst.*
- *Draag een draadloze hartslagmeter altijd direct op het lichaam, onder de kleding.*

TRAINEN MET FITNESS APPS

VirtuFit verleent geen service voor fitness-apps van derde partijen zoals Kinomap, iConsole, FitShow etc.. Mocht u problemen ondervinden met een fitness-app van een derde partij, neem dan contact met de desbetreffende app-ontwikkelaar.

Instructie

- Om de QR-code te scannen met een Android of IOS telefoon of tablet is een QR-code scanner nodig. De app om QR-codes te scannen kan in de App Store of Google Play Store worden gedownload.
- Scan één van de QR-codes hieronder om direct naar de pagina in de App Store of Google Play Store te gaan waar de fitnessapp gedownload kan worden.
- Scan de QR-code aan de rechterkant om naar de handleiding van de fitnessapp te gaan. In de handleiding staat stap voor stap beschreven hoe de fitnessapp verbonden dient te worden met het toestel, hoe de fitnessapp werkt en welke mogelijkheden er zijn.

Fitshow



APP STORE



GOOGLE PLAY



MANUAL

Kinomap



APP STORE



GOOGLE PLAY



MANUAL

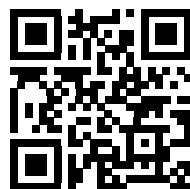
Zwift



APP STORE



GOOGLE PLAY



MANUAL

ONDERHOUD

Veilig en effectief gebruik kan alleen worden bereikt als het toestel goed wordt gemonteerd en onderhouden. Het is uw verantwoordelijkheid om ervoor te zorgen dat het toestel regelmatig wordt onderhouden. Onderdelen die al zijn gebruikt en/of beschadigd, moeten worden vervangen voordat het toestel verder gebruikt wordt. Het toestel mag alleen binnen worden gebruikt en opgeborgen. Langdurige blootstelling aan verwerking en veranderingen in temperatuur/vochtigheid kunnen een ernstige impact hebben op de elektrische componenten en bewegende delen van het toestel. Haal altijd de stroomkabel van het toestel uit het stopcontact voordat het apparaat wordt schoongemaakt of onderhouden.

Dagelijks onderhoud

- Reinig en verwijder zweet en vocht na elk gebruik.
- Controleer of het toestel vrij is van stof en vuil.
- Gebruik geen agressieve schoonmaakmiddelen en zorg dat het toestel vochtvrij blijft.

Halfjaarlijks onderhoud

- Inspecteer alle bouten en moeren in verband met bewegende delen van het toestel. Draai bouten en moeren vast indien nodig en zoals vereist.
- Maak de loopband stofvrij. Schakel de loopband uit en verwijder de stroomtoevoer. Verwijder voorzichtig de motorkap en veeg het stof en vuil weg met een zachte doek of maak eventueel gebruik van een (hand) stofzuiger. Plaats de motorkap terug en schakel de stroomtoevoer in.

We raden aan het volgende te doen:

- Maak het toestel na gebruik schoon.
- Gebruik een droge doek om het bedieningspaneel en gebieden rond de aan- en uitschakelaar te reinigen.

- Gebruik een zachte schone doek en reinigingsmiddel om hardnekkige vlekken en vuil op het toestel te verwijderen.
- Houd het toestel op een veilige en droge plaats en uit de buurt van warmte en water.

LET OP!

- *Elke reparatie moet door een professionele technicus worden uitgevoerd, tenzij anders aangegeven door de leverancier of fabrikant.*
- *Om uitglijden tijdens de training te vermijden dient de loopmat niet te los te zitten. Om het schuren tussen de roller en de loopmat te vermijden en te zorgen dat het toestel goed blijft functioneren moet de loopmat niet te strak zitten. De afstand tussen de loopplank en de loopmat kan afgesteld worden. De afstand tussen loopplank en de loopmat dient aan beide zijden 50 tot 75 mm te zijn.*

Schoonmaak

Algemene reiniging van het apparaat zal de levensduur van het toestel verlengen. Houd het toestel schoon door regelmatig af te stoffen. Regelmatig onderhoud verlengt de levensduur van uw toestel en voorkomt letsels! Kijk voor meer informatie op <https://www.virtufit.nl/service/faq/>

LET OP! Draag schone schoenen zodat de kans op vervuiling van het toestel vermindert.

INSMEREN VAN DE LOOPBAND

De loopband is voorzien van een voorgesmeerde, onderhoudsarme loopmat. De slijtage, van de loopmat speelt een belangrijke rol in de functie en levensduur van de loopband, waardoor het periodieke smering vereist. Wij raden aan om de loopmat regelmatig te inspecteren.

Aanbevolen smering van de loopmat:

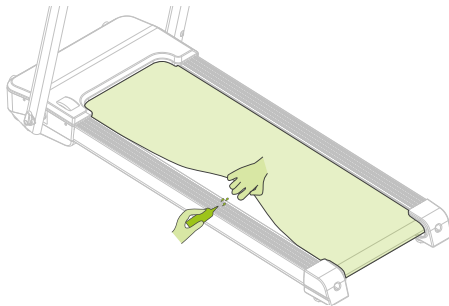
De loopband geeft een melding op het display wanneer er 300 km is afgelegd. Dit is een geautomatiseerde herinnering van het systeem dat de loopband ingesmeerd dient te worden.

Instructie

- Til de loopmat op en maak deze schoon met een vochtige doek om vuil en stof te verwijderen.
- Breng een kleine hoeveelheid siliconenolie aan onder de

loopmat. Gebruik hiervoor een siliconenspray of druppel twee tot drie druppels siliconenolie over de lengte van de loopmat. Doe dit aan beide kanten van de loopband.

- Zet de loopband aan en laat deze drie minuten draaien zonder erop te staan. Dit zorgt ervoor dat de siliconenolie gelijkmatig wordt verdeeld over de loopmat en dat overtollige olie wordt verwijderd.
- Controleer regelmatig de staat van de loopmat en breng indien nodig opnieuw siliconenolie aan. Zorg ervoor dat de loopmat schoon en droog is voordat u op de loopband gaat lopen.



LET OP! *Regelmatig onderhoud verlengt de levensduur de loopband en voorkomt letsel!*

PROBLEEMOPLOSSINGEN

Er is geen signaal wanneer de stroom aangesloten is: Controleer of de draden van het console goed zijn aangesloten. Let op dat alle kabels voorzichtig worden bevestigd. De aluminium pootjes van de console kabels zijn zeer gevoelig en deze dienen recht te blijven. Mocht het console een foutmelding geven dan kan het zijn dat de aluminium pootjes van de kabel schuin staan. Buig de aluminium pootjes weer recht, dit kan ervoor zorgen dat de foutmelding verholpen wordt.

Geen stroom: Controleer of de adapter en de kabels goed zijn aangesloten.

Stroomstoring: Controleer of de sensor kabel goed is aangesloten

Veiligheidssleutel werkt niet naar behoren: Controleer of de veiligheidssleutel goed is bevestigd.

CONSOLE (FIG. A)



INCLINE/CALORIES: Het scherm laat zien hoeveel calorieën er zijn verbrand. Dit is een indicatie en kan verschillen met de werkelijkheid. Het zal tellen van 0 tot 999, wanneer je bij de 999 bent begint de teller weer bij 0. Wanneer je aftelt zal de teller naar 0 gaan en wanneer de teller op 0 komt, zal de loopband langzaam in een standby modus gaan. Wanneer de helling is geselecteerd zal de loopband 0-15% weergegeven. Wanneer dit niet het geval is, weergeeft de loopband een calorie scherm na 30 seconden.



TIME: Laat de looptijd zien.

KM: laat de afstand in kilometers zien.

SPEED/HEART RATE: het scherm toont je huidige snelheid van 0.8-20.0 km/h. Wanneer je de hartslagsensor vasthoudt, zal de huidige hartslag weergegeven worden 50-200/min (de gegevens kunnen niet gebruikt worden voor medische doeleinden en zijn indicatief).

INCLINE 6 | 8 | 10 Geeft de hoogte/stand van de helling weer.

INCLINE: Druk op deze knoppen om de hellingshoek aan te passen. Dit dient u te doen tijdens het gebruik van de loopband. Wanneer de knop langer dan 0,5 seconden wordt ingedrukt, blijft de helling omhoog of omlaag gaan.



Druk nogmaals op de MODE toets om 15:00, 1.00, 50.0 en 5 wedstrijden te kiezen als calorie aftellen modus, 0:00 is handmatige modus.



PLAY/PAUZE: om de muziek of video te stoppen of te starten.



Druk op deze knop om een keuze te maken uit 3 entertainmentprogramma's: standby mode, audio mode en video mode. Wanneer u een video afspeelt, druk dan op deze knop om deze op een volledig scherm te kijken.



Wanneer u de veiligheidssleutel aan uw kleding bevestigd en de stroom aan heeft gesloten, kunt u op deze knop drukken om de loopband te laten starten.



Veiligheidssleutel.



Stop de training



MP3: U kunt uw mobiele telefoon of tablet aansluiten met een AUX kabel om muziek af te spelen.



Houd de knop ingedrukt om het volume zachter te zetten wanneer u muziek luistert of een video bekijkt.



Houd de knop ingedrukt om het volume harder te zetten wanneer u muziek luistert of een video bekijkt.



Druk op de PROG knop en de loopband zal het volgende laten zien: P1-P2.....P24--U1--U3--HP1--HP2--FAT in volgorde (P1-P24 zijn voorgeprogrammeerde programma's, U1-U3 zijn op basis van gebruiker programma's, HP1-HP2 is een hartslag controle programma en FAT is een lichaamsvet test functie).

SPEED
6 | 8 | 10

SPEED 6,8,10: Laat snelheid zien.



Snelheid afstelling sleutel. Wanneer de loopband in gebruik is, kunt u op deze knop drukken om de snelheid te bepalen. Er komt 0.1 KM bij of af elke keer dat u op één van de knoppen drukt. Wanneer u de knop langer dan 0.5 seconden indrukt, zal de snelheid aanhoudend verminderen of verhogen.

Functies



Helling.

Houdt de hartslagsensor voor een aantal seconden vast en je hartslag wordt weergegeven tussen 50-200/min (de gegevens zijn niet voor medische doeleinden te gebruiken en zijn indicatief).



Tijd.



Afstand.



Calorieën.



Snelheid.



Bluetooth en app connectie.



Timer.



Afstand.



Calorie.

PROGRAMMA'S (FIG.B, 1-3)

Homepage display (FIG. B-1)

Er zijn vier functies op de homepagina: MODE, PROGRAM, MUSIC en VIDEO. Er zijn 3 verschillende functies, CONTEST MODE, MANUAL MODE en UNDER MODE. Ook zijn er 24 vooraf ingestelde programma's, 3 handleiding programma's, 2 HCR programma's (optioneel) en 1 FAT test programma.

Quick start

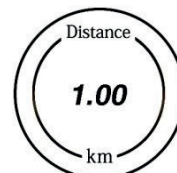
- Zet de loopband aan en bevestig de veiligheidssleutel aan uw kleding.
- Druk op START en de loopband zal naar een snelheid van 0.8 km/h gaan. Na de piepende aftelling van 3 naar 1.
- Vervolgens kunt u de snelheid aanpassen naar uw wens door op SPEED te drukken.

Beschrijving functies

Druk op MODE en start de timer modus. Druk meerdere keren op MODE om "15:00", "1.00", "50.0", "contest mode", en "0.00" modus (15:00 is een tijdmodus, 1:00 is een afstandsmodus, 50:0 is een calorie modus, 0:00 is een handmatige modus). Wanneer u een modus heeft gekozen kunt u -SPEED+ of -INCLINE+ instellen. Wanneer u klaar bent drukt u op START en dan zal de loopband beginnen te lopen.



Vertoont de workout tijd van 0:00-18:00 uur. Wanneer u bij 18:00 komt, wordt er opnieuw geteld vanaf 0, de loopband zal verder gaan. In "countdown" modus zal het scherm 15:00 tot 0:00 weergegeven. Wanneer u bij 0:00 komt zal de loopband stoppen. Het systeem zelf zal u een score geven en in standby modus gaan.



Schermbereik: 0.00-99.9 wanneer u bij 99.9 komt, begint het systeem opnieuw vanaf 0.00 te tellen. In aftel modus zal de standaard afstand verminderen van 1.00 naar 0.00. Het systeem zal u een score geven en in standby modus gaan.



Schermbereik: 0-999 wanneer u bij 999 komt, gaat het systeem terug naar 0. In aftel modus zal de standaard calorie verminderen van 50.0 naar 0. Het systeem zal u een score geven en in standby modus gaan.

Handmatige modus (FIG. B-2)

Druk op "START" dan zal de loopband naar een snelheid van 0.8km/h werken. Alle andere schermen tellen vanaf 0. Druk op "-SPEED+" om de snelheid aan te passen. Druk op "-INCLINE+" om de helling in te stellen.

Er zijn 3 gebruikers programma's. Dat zijn user1, user 2 en user 3.

- Druk op PROG totdat user1 verschijnt.
- Druk op INCLINE of SPEED om de workout tijd aan te passen.
- Druk op MODE voor de workout gegevens. Druk op INCLINE of SPEED om de workout tijd, snelheid en helling voor de eerste level. Druk op MODE om de gegevens voor de volgende level in te stellen. Herhaal de bovengenoemde stappen om de gegevens van de andere 8 levels in te stellen. Wanneer u klaar bent met het instellen van alle gegevens zal alles opgeslagen worden totdat u het programma reset. Na de gegevens ingesteld te hebben kunt u op START drukken om te beginnen met uw workout.

ITEM	INITIAL	DATA	RANGE	DISPLAY
TIME	0:00	30:00	5:00 - 99:00	0:00 - 99:59
INCLINE	0	0	0 - 15	0 - 15
SPEED	0.0	0.8	0.8 - 20	0.8 - 20
DISTANCE	0.00	1.00	0.50 - 99.00	0.00 - 99.99
HEART RATE	P	N/A	N/A	50 - 200
CALORIE	0	50.0	10.0 - 999	0.0 - 999

Countdown modus

- Tijd countdown modus: Druk op MODE om de countdown modus te starten. De standaard tijd 15 zal beginnen op het scherm. Druk op "-INCLINE+" of "-SPEED+" om de tijd te veranderen van 5:00 tot 99:00.
- Afstand countdown modus: Druk op "MODE" om de afstand countdown modus te starten. De standaard afstand zal beginnen op "1.00" wat op het scherm te zien is. Druk op "-INCLINE+" of "-SPEED+" om de afstand te veranderen van 0.5 tot 99.9.
- Calorie countdown modus: Druk op "MODE" om de calorie countdown modus te starten. De standaard calorie countdown zal beginnen op "50.0" wat te zien is op het scherm. Druk op "-INCLINE+" of "-SPEED+" om de afstand te veranderen van 10.0 tot 999.0.
- Nadat u klaar bent met uw workout zal het scherm direct uw loopgegevens laten zien.

Wedstrijdmodus

Druk langdurig op MODE om de wedstrijd modus te starten. Er zijn 6 wedstrijd modussen. Dat zijn 3.0km, 5.0km, 10.0km, 5.0km 21.1km, 42.19km.



C = COMPUTER. Het scherm toont de afstandspercentage van de computer. De standaard snelheid van de computer is 9km/h. U kunt de computer snelheid aanpassen door de wedstrijdtijd te veranderen.



U = USER. Het scherm toont de afstandspercentage van de user.

WEDSTRIJDAFSTAND	AUTOMATISCHE TIJD
3 km	18:00 minuten
5 km	30:00 minuten
10 km	01:00:00 minuten
15 km	01:30:00 minuten
21,10 km	02:06:35 minuten
42,19 km	04:13:10 minuten

Druk op MODE, selecteer uw favoriete wedstrijd afstand en druk op "-INCLINE+" of "-SPEED+" om de wedstrijdtijd te veranderen. Druk op START om te beginnen.

Voorgeprogrammeerd programma

Druk op PROG om het programma te starten. Druk op "PROG" om één van de volgende programma's te selecteren: Program1-24, U1-U2-U3, HPI-HP2,FAT in sequence. Er zijn 30 verschillende voorgeprogrammeerde programma's. FAT is een vet testprogramma.



Programma bewegingstijd: de automatische tijd is 10 minuten. Druk op "-INCLINE+" of "-SPEED+" om de tijd te veranderen van 5 tot 99.



Hoofdprogramma: elk programma is verdeeld in 10 levels.

- Druk op PROG, het scherm zal nu "Program 1-24" laten zien.
- Selecteer uw favoriete programma. De standaard tijd is 10:00. Druk op "-INCLINE+" of "-SPEED+" om de tijd te veranderen.
- Druk op START om te beginnen met uw oefening. Druk op "-INCLINE+" of "-SPEED+" om de snelheid of de helling tijdens de

oefening te veranderen in elk level.

- Wanneer u uw vorige level heeft afgerond, zal het systeem naar de volgende level gaan en de snelheid en de helling zullen worden aangepast naar uw level.
- Nadat u elk programma heeft afgerond zal het systeem u een score geven.
- Programma inleiding. Elk programma is verdeeld in 10 levels en elk level heeft zijn eigen snelheid en helling.

HRC programma

Druk op de MODE toets totdat "Heart program1" of "Heart program2" verschijnt.

- Elk HRC programma is verdeeld in 10 levels.
- In standby modus drukt u op PROG totdat u "Heart program1" of "Heart program2" ziet staan. De maximale snelheid in dit programma is 10.0km/h. Note: wanneer u op "start" drukt onder HRC mode, zal het systeem een hartslag controle willen. Parameter voor de eigenaar, en de leeftijd is 30 jaar oud dan target hartslag moet 114 zijn. De maatstaf voor de gebruiker, bij de leeftijd van 30 jaar oud, is het doel een hartslag van 114.
- Druk op MODE om de leeftijd te veranderen door op "-INCLINE+" of "-SPEED+" te drukken. De leeftijd is in te stellen van 15 tot 80 jaar oud.
- Nadat u uw leeftijd heeft ingesteld drukt u op "MODE", het systeem zal een passend doel voorstellen wat te zien zal zijn op het scherm. U kunt ook op "-INCLINE+" of "-SPEED+" drukken om een verwachte hartslag volgens uw lichamelijke conditie, van 84 tot 133.
- Wanneer u uw leeftijd en hart opties heeft ingesteld druk dan op "MODE" om de tijdsinstelling te starten. Op het scherm staat "TIME" wanneer u daar op drukt zal er 10:00 staan, druk op "-INCLINE+" of "-SPEED+" om de tijd aan te passen van 10:00 to 99:00.
- Als u klaar bent met alle instellingen kunt u op START drukken om te beginnen.
- Wanneer u drukt op "-INCLINE+" of "-SPEED+" om de helling of snelheid aan te passen, zal het systeem zelf de snelheid en helling aanpassen naar de instellingen die aansluiten op uw lichamelijke conditie.
- De eerste minuut van het HRC programma is om op te warmen, u kunt de snelheid en helling handmatig instellen. Het systeem zal 0.5km versnellen per keer, dit gaat automatisch na de eerste minuut op basis van uw hartslag. Wanneer de huidige snelheid meer dan 10km/h is in HP1 of 12km/h in HP2 en uw huidige hartslag is minder dan uw hartslag doel zal het systeem automatisch de helling aanpassen totdat uw hartslag op uw hartslag doel zit. Als de hartslag niet langer als 30 seconden blijft zal het systeem de snelheid minderen met 0.5km en de

helling met 1 sectie per 10 seconden totdat het laagst behaalde punt is behaald.

LET OP!

- **Onder HP1 of HP2 modus, druk direct op START en de loopband zal automatisch de gegevens verwerken.**
- **Het hartslag controle programma is alleen beschikbaar wanneer u de chest belt is gebruikt en de chest belt dicht op de borst en huid zitten.**

Algemene hartslagzones (FIG. B-3)


Vraag voor intensieve trainingen uw dokter om advies.

- Gezonde hartslag zone: 50%-60% van maximum hartslag. Het is geschikt voor de meeste beginners. Het is goed voor gewichtsverlies, lagere bloeddruk en een lagere cholesterol.
- Temperatuur zone: 60%-70% van maximum hartslag. Het is goed voor gewichtsverlies en het verbranden van meer calorieën.
- Aerobic Zone: 70%-80% van maximum hartslag. Het is goed voor je hart en longen.
- Anaerobic Threshold Zone: 80%-90% van maximum hartslag. Het is een erg intensieve training geschikt voor gevorderde trainees.
- Redline Zone: 90%-100% van maximum hartslag. Het is een beperkte training voor gebruikers. Gebruik het a.u.b. niet te lang omdat het schade aan uw gezondheid kan brengen.

Body Fat Test

- Druk op PROG om FAT modus te starten. Vul uw geslacht, leeftijd, lengte en gewicht in. Nadat u dat heeft gedaan houdt u de polssensor vast voor meer dan 8 seconden. Daarna krijgt u de resultaten te zien op het scherm.
- De BMI tussen de 20 en 25 is het beste. Wanneer de BMI minder dan 19 is betekent het dat u ondergewicht heeft. Wanneer de BMI tussen de 26 en 29 is betekent het dat u lichtelijk overgewicht heeft. Wanneer de BMI 30 of meer is betekent het dat u overgewicht heeft. Deze gegevens zijn alleen ter vermelding en niet te gebruiken voor medische doeleinden.

Media

Druk op  om de modus of muziek en video te veranderen. Wanneer er is gekozen voor vide en een video afspeelt, druk dan op deze knop om de video over uw hele scherm te vertonen.

Energiebesparende modus

Als er geen activiteit plaatsvindt op de loopband binnen 10 minuten zal de loopband in een energiebesparende modus gaan. U kunt het systeem uit deze modus halen door ergens op te drukken.

Uitschakelen

Om de loopband langer mee te laten gaan moet u eerst op de STOP knop drukken. Daarna drukt u de schakelaar uit. Verwijder nu de stekker en als laatste de veiligheidssleutel. Door direct de veiligheidssleutel uit te trekken blijft er onnodig spanning op het toestel staan.

TRAININGSRICHTLIJNEN (FIG. C, 1-5)

Een succesvol trainingsprogramma bestaat uit een warming-up, de training zelf en een cooling down. Voer de hele training minstens twee, maar bij voorkeur drie keer per week uit en houdt één dag rust tussen de trainingen. Na enkele maanden kan de trainingsintensiteit worden verhoogd tot bijvoorbeeld vier of vijf keer per week.

Warming-up

Het doel van een warming-up is dat het lichaam voorbereid wordt op een training en het vermindert de kans op blessures. Warm het lichaam op in twee tot vijf minuten voordat er met een cardio- of krachttraining begonnen wordt. Doe oefeningen die de hartslag verhogen en de werkende spieren opwarmen. Voorbeelden van dit soort activiteiten zijn: vlot lopen, joggen, jumping jacks, touwtje springen en rennen op de plaats.

Stretchen

Stretchen terwijl spieren warm zijn, is zeer belangrijk na een goede warming-up en cooling-down. Het vermindert de kans op blessures. Stretchoefeningen dienen gedurende 15 tot 30 seconden worden vastgehouden. Voorbeelden van stretchoefeningen zijn:

- Toe touch (Fig. C-1)
- Inner thigh stretch (Fig. C-2)
- Hamstring stretch (Fig. C-3)
- Achilles stretch (Fig. C-4)
- Side stretch (Fig. C-5)

Cooling-down

Het doel van de cooling-down is het lichaam aan het einde van de training terug te brengen naar de (bijna) normale ruststand. Een goede cooling-down vermindert langzaam uw hartslag en bevordert het herstel.

INHALTE

Sicherheitshinweise	20
Bürgschaft	20
Anweisungen zum Einbau	21
Einstellen	21
Anleitung zum Zusammenklappen	21
Sicherheitsschlüssel	22
Herzfrequenz-Training	22
Training mit Fitnessanwendung	22
Wartung	22
Schmierung des Förderbandes	23
Fehlersuche	23
Fehlercodes	24
Konsole	24
Programme	24
Trainingsrichtlinien	24

SICHERHEITSHINWEISE

WARNUNG!

Konsultieren Sie Ihren Arzt, bevor Sie mit dem Training beginnen. Dies ist besonders wichtig für Menschen mit gesundheitlichen Problemen. Bitte lesen Sie alle Anweisungen, bevor Sie das Gerät benutzen. VirtuFit übernimmt keine Verantwortung für Verletzungen oder Sachschäden, die durch die Verwendung dieses Geräts entstehen. Bitte lesen Sie diese Anleitung sorgfältig durch, bevor Sie das Gerät zusammenbauen und/oder benutzen.

- Vergewissern Sie sich, dass das Gerät richtig zusammengebaut ist und dass alle Schrauben und Muttern fest angezogen sind, bevor Sie es benutzen.
- Tragen Sie keine weite Kleidung, um zu vermeiden, dass Sie sich in beweglichen Teilen verfangen.
- Stellen Sie das Gerät auf einer festen, ebenen Fläche auf und benutzen Sie es.
- Tragen Sie immer saubere Sportschuhe, wenn Sie das Gerät benutzen.
- Halten Sie Kinder und Haustiere von dem Gerät fern, wenn Sie es benutzen.
- Achten Sie bei der Benutzung des Geräts auf Ihr Gleichgewicht.
- Stecken Sie Ihre Finger oder andere Gegenstände nicht in die

beweglichen Teile.

- Konsultieren Sie vor dem Training Ihren Arzt, um die für Ihr Alter und Ihre körperliche Verfassung angemessene Häufigkeit, Dauer und Intensität des Trainings zu bestimmen. Brechen Sie das Training sofort ab, wenn Sie Übelkeit, Kurzatmigkeit, Ohnmacht, Kopfschmerzen, Brustschmerzen, Engegefühl oder andere Beschwerden verspüren.
- Dieses Gerät darf nur von einer Person gleichzeitig benutzt werden.
- Das Gerät ist für den Hausgebrauch konzipiert und das maximale Benutzergewicht beträgt 150 kg.
- Lassen Sie hinter der Maschine 1-2 Meter Platz, um Unfälle zu vermeiden.
- Stellen Sie das Gerät auf eine saubere, ebene Fläche. Stellen Sie das Gerät nicht auf einen dicken Teppich, da dies die Belüftung des Geräts behindern kann. Stellen Sie das Gerät nicht im Freien oder in der Nähe von Wasser auf.
- Halten Sie den Aufbewahrungsort trocken, sauber und eben, um Schäden zu vermeiden. Verwenden Sie das Gerät nicht für andere Zwecke als zum Training.
- Verwenden Sie das Gerät nur in einer Umgebung, in der die Umgebungstemperatur zwischen 10°C und 35°C liegt. Lagern Sie das Gerät nur in einer Umgebung, in der die Temperatur zwischen 5°C und 45°C liegt.

BÜRGSCHAFT

Gewährleistungsansprüche sind ausgeschlossen, wenn die Ursache des Mangels die Folge ist von:

- Wartungs- und Reparaturarbeiten, die nicht von einem Vertragshändler durchgeführt wurden. Sofern vom Lieferanten nicht anders angegeben.
- Unsachgemäßer Gebrauch, Nachlässigkeit und/oder schlechte Wartung.
- Wenn das Gerät nicht gemäß den Anweisungen des Herstellers gewartet wurde.

MONTAGEANLEITUNG (STEP 01-08)

Fehlende Teile: Sollten Teile in der Verpackung fehlen, überprüfen Sie

bitte sorgfältig den Styroporschaum und das Gerät selbst. Einige Teile (Bolzen, Schrauben, usw.) sind bereits am Gerät angebracht.

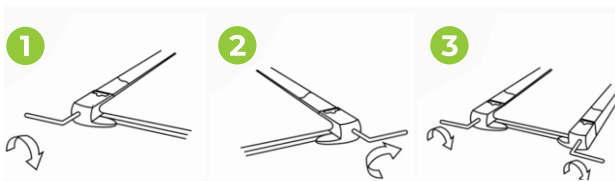
Fehlermeldung: Vergewissern Sie sich, dass alle Kabel sorgfältig angebracht sind. Die Aluminiumfüße der Konsole sind sehr empfindlich und müssen gerade gehalten werden. Wenn die Konsole eine Fehlermeldung ausgibt, nachdem das Gerät montiert wurde, sind die Aluminiumfüße der Konsole möglicherweise verbogen. Das Richten der Aluminiumfüße kann dazu führen, dass die Fehlermeldung verschwindet.

Sechskant-Schrauben: Achten Sie darauf, dass der Sechskantschlüssel in die Schraube gedrückt wird, bevor Sie Kraft anwenden. Dadurch wird verhindert, dass sich der Kopf der Innensechskantschraube dreht.

EINSTELLEN

Einstellen des Laufbandes

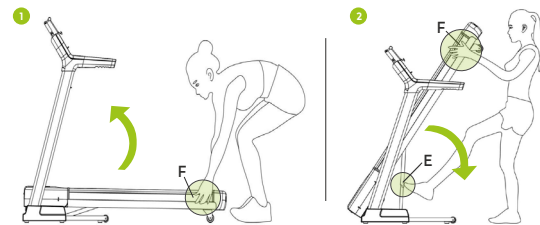
1. **Das Laufband neigt sich nach links:** Schalten Sie das Laufband ein, stellen Sie die Geschwindigkeit auf 2 bis 3 km/h ein, ohne zu forcieren. Drehen Sie die Schraube an der linken Seite des Laufbandes mit dem Inbusschlüssel eine Vierteldrehung nach rechts (1). Lassen Sie das Laufband 1 bis 2 Minuten lang ohne Belastung laufen. Wiederholen Sie den Vorgang, bis sich das Laufband genau in der Mitte befindet.
2. **Das Laufband dreht sich nach rechts:** Starten Sie das Laufband, stellen Sie die Geschwindigkeit auf 2 bis 3 km/h ohne Belastung des Laufbandes ein. Drehen Sie mit dem Sechskantschlüssel die Schraube auf der rechten Seite des Laufbandendes eine Vierteldrehung nach rechts (2). Lassen Sie das Laufband 1 bis 2 Minuten lang ohne Belastung laufen
3. **Das Laufband hat sich verklemmt:** Drehen Sie mit dem Inbusschlüssel die Schraube auf der rechten Seite des Endes eine halbe Umdrehung nach rechts und die Schraube auf der linken Seite des Endes ebenfalls eine halbe Umdrehung nach rechts. Wiederholen Sie den Vorgang, bis die Blockade behoben ist (3).



ANLEITUNG ZUM FALTEN UND ENTFALTEN

VORSICHT! Bewahren Sie das Gerät in einem trockenen Raum und

außerhalb der Reichweite von Kindern auf. Stellen Sie sicher, dass das Gerät stabil und sicher steht, damit es nicht auf Kinder oder Tiere fallen kann.



Falten (1)

- Stützen Sie das Laufband mit den Händen an Punkt F ab.
- Drücken Sie das Laufband nach oben, bis Sie ein Federgeräusch hören.
- Das Laufband ist gefaltet.

ACHTUNG! De alten Sie das Laufband nicht, während es in Gebrauch ist.

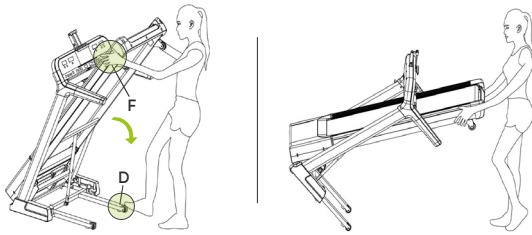
Entfalten (2)

- Stützen Sie das Laufband an Punkt F mit den Händen ab.
- Drücken Sie mit dem Fuß auf den Punkt E und das Laufband entfaltet sich.
- Halten Sie das Laufband fest und führen Sie es, bis es den Boden berührt.
- Das Laufband ist entfaltet.

ABNEHMBAR

VORSICHT! Bewahren Sie das Gerät in einem trockenen Raum und außerhalb der Reichweite von Kindern auf. Vergewissern Sie sich, dass das Gerät stabil und sicher steht, damit es nicht auf Kinder oder Haustiere fallen kann.

- Stützen Sie das Laufband mit den Händen an Punkt F ab.
- Drücken Sie das Laufband mit den Händen (F) langsam nach unten auf den Boden. Wenn der tiefste Punkt mit Position F erreicht ist, können die Räder benutzt werden.
- Schieben Sie das Laufband an den Ort, an dem es aufgestellt werden soll.



SICHERHEITSSCHLÜSSEL

Befestigen Sie das Ende des Sicherheitsschlüssels an Ihrer Kleidung. Wenn der Sicherheitsschlüssel aus dem Laufband gezogen wird, führt das Laufband einen Notstopp durch. Das Laufband stoppt sofort. Es ertönt dreimal ein Alarm und auf dem Display werden verschiedene Daten angezeigt. Sobald der Sicherheitsschlüssel wieder am Gerät angebracht ist, kann das Gerät wieder benutzt werden.

TRAINING MIT HERZFREQUENZ

Handsensoren

Dieses VirtuFit Fitnessgerät ist mit Handsensoren zur Messung der Herzfrequenz ausgestattet. Die Handsensoren sind am Griff angebracht und funktionieren nur, wenn beide Sensoren über einen längeren Zeitraum gehalten werden. Für eine optimale Leistung ist es wichtig, dass die Hände leicht feucht sind und einen konstanten Druck auf die Sensoren ausüben. Zu trockene oder feuchte Hände können zu abnormalen Messwerten führen.

HINWEIS! Um Interferenzen zu vermeiden, verwenden Sie die Handsensoren niemals mit einem drahtlosen Herzfrequenzmessgerät.

Drahtloses Herzfrequenzmessgerät (5 kHz)

Dieses VirtuFit Fitnessgerät ist mit einem drahtlosen Herzfrequenz-Empfänger ausgestattet. Für die Herzfrequenzmessung mit einem drahtlosen Herzfrequenzmessgerät verwenden Sie ein Herzfrequenzmessgerät, das mit einer Frequenz von 5 kHz arbeitet. Bei einem kabellosen Herzfrequenzmessgerät ist es wichtig, dass die Elektroden leicht feucht sind und das Herzfrequenzmessgerät gut an Ihrem Körper anliegt. Lesen Sie die Gebrauchsanweisung Ihres Herzfrequenzmessgeräts, um die richtigen Anweisungen zu erhalten. Eine unsachgemäße Verwendung des Herzfrequenzmessgeräts kann zu abnormalen Messwerten führen.

HINWEIS!

- Ein drahtloses Herzfrequenzmessgerät ist nicht im Lieferumfang enthalten. Wenden Sie sich an Ihren Händler, um ein drahtloses Herzfrequenzmessgerät zu erwerben.
- Um Interferenzen zu vermeiden, verwenden Sie das drahtlose Herzfrequenzmessgerät niemals in Kombination mit den Handsensoren.

! WARNUNG!

- Wenn Sie einen Herzschrittmacher tragen, empfehlen wir Ihnen, Ihren Arzt zu konsultieren, bevor Sie ein drahtloses Herzfrequenzmessgerät verwenden.
- In Räumen mit mehreren Herzfrequenzmessgeräten wird empfohlen, genügend Abstand zu halten, um Störungen zwischen den verschiedenen Geräten zu vermeiden.
- Versuchen Sie immer, das drahtlose Herzfrequenzmessgerät innerhalb eines Abstands von 1 Meter von der Konsole zu halten, um einen optimalen Empfang zu gewährleisten.
- Tragen Sie ein drahtloses Herzfrequenzmessgerät immer direkt am Körper, unter der Kleidung.

TRAINING MIT FITNESSANWENDUNG

VirtuFit bietet keinen Service für Fitnessanwendungen von Drittanbietern wie Kinomap, iConsole, FitShow usw. Wenn Sie Probleme mit einer Fitness-Anwendung eines Drittanbieters haben, wenden Sie sich bitte an den Entwickler der betreffenden Anwendung.

Anleitung

- Um den QR-Code mit einem Android- oder IOS-Telefon oder -Tablet zu scannen, ist ein QR-Code-Scanner erforderlich. Die App zum Scannen von QR-Codes kann im App Store oder im Google Play Store heruntergeladen werden.
- Scannen Sie einen der unten stehenden QR-Codes, um direkt zur Seite des App Store oder Google Play Store zu gelangen, wo die Fitness-App heruntergeladen werden kann.
- Scannen Sie den QR-Code auf der rechten Seite, um das Handbuch für die Fitness-App aufzurufen. Das Handbuch beschreibt Schritt für Schritt, wie Sie die Fitness-App mit dem Gerät verbinden, wie die Fitness-App funktioniert und welche Möglichkeiten sie bietet.

Fitshow



APP STORE



GOOGLE PLAY



MANUAL

Kinomap



APP STORE

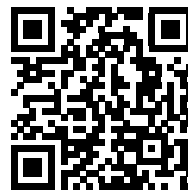


GOOGLE PLAY



MANUAL

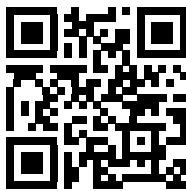
Zwift



APP STORE



GOOGLE PLAY



MANUAL

WARTUNG

Eine sichere und effiziente Nutzung kann nur erreicht werden, wenn das Gerät ordnungsgemäß installiert und gewartet wird. Es liegt in Ihrer Verantwortung, dafür zu sorgen, dass das Gerät regelmäßig gewartet wird. Benutzte und/oder beschädigte Teile müssen ersetzt werden, bevor das Gerät wieder benutzt wird. Das Gerät sollte nur in Innenräumen verwendet und gelagert werden. Wenn das Gerät über einen längeren Zeitraum hinweg Witterungseinflüssen sowie Temperatur- und Feuchtigkeitsschwankungen ausgesetzt ist, kann dies schwerwiegende Auswirkungen auf die elektrischen Komponenten und beweglichen Teile des Geräts haben. Ziehen Sie immer den Netzstecker aus dem Gerät, bevor Sie es reinigen oder warten.

Tägliche Wartung

- Reinigen Sie das Gerät nach jedem Gebrauch und entfernen Sie Schweiß und Feuchtigkeit.
- Prüfen Sie, ob das Gerät frei von Staub und Schmutz ist.

- Verwenden Sie keine aggressiven Reinigungsmittel und halten Sie das Gerät von Feuchtigkeit fern.

Halbjährliche Wartung

- Überprüfen Sie alle Schrauben und Muttern an den beweglichen Teilen des Geräts. Ziehen Sie die Schrauben und Muttern nach Bedarf und Eignung nach.
- Entfernen Sie den Staub vom Laufband. Schalten Sie das Laufband aus und entfernen Sie die Stromzufuhr. Nehmen Sie die Abdeckung vorsichtig ab und wischen Sie Staub und Schmutz mit einem weichen Tuch ab oder benutzen Sie einen Staubsauger. Bringen Sie die Abdeckung wieder an und schalten Sie das Gerät wieder ein.

Wir empfehlen Folgendes:

- Reinigen Sie das Gerät nach dem Gebrauch.
- Verwenden Sie ein trockenes Tuch, um das Bedienfeld und die Bereiche um den Ein-/Ausschalter zu reinigen.
- Verwenden Sie ein weiches, sauberes Tuch und Reinigungsmittel, um hartnäckige Flecken und Schmutz vom Gerät zu entfernen.
- Bewahren Sie das Gerät an einem sicheren, trockenen Ort auf, der vor Hitze und Wasser geschützt ist.

VORSICHT!

- *Reparaturen müssen von einem professionellen Techniker durchgeführt werden, es sei denn, der Lieferant oder Hersteller schreibt etwas anderes vor.*
- *Um ein Verrutschen während des Trainings zu vermeiden, sollte der Laufbandgurt nicht zu locker sein. Um einen Abrieb zwischen der Rolle und dem Laufband zu vermeiden und einen ordnungsgemäßen Betrieb des Geräts zu gewährleisten, sollte das Laufband nicht zu fest gespannt sein. Der Abstand zwischen der Stufe und dem Laufband kann eingestellt werden. Der Abstand zwischen der Stufe und dem Laufband sollte auf beiden Seiten 50 bis 75 mm betragen.*

Reinigung

Eine allgemeine Reinigung des Geräts verlängert dessen Lebensdauer. Halten Sie das Gerät sauber, indem Sie es regelmäßig abstauben. Eine regelmäßige Wartung verlängert die Lebensdauer Ihres Geräts und beugt Verletzungen vor! Für weitere Informationen besuchen Sie bitte <https://www.virtufit.nl/service/faq/>

VORSICHT! Tragen Sie saubere Schuhe, um das Risiko einer Verschmutzung des Geräts zu verringern. Nehmen Sie mindestens

einmal im Jahr die Abdeckung ab, um den Staub zu entfernen.

SCHMIERUNG DES FÖRDERBANDES

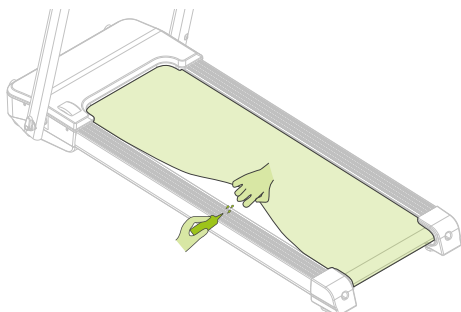
Das Laufband ist mit einer vorgeschmierten Beschichtung ausgestattet, die wenig Wartung erfordert. Die Abnutzung des Laufbandes spielt eine wichtige Rolle für die Funktion und Haltbarkeit des Laufbandes und sollte daher regelmäßig geschmiert werden. Wir empfehlen Ihnen, das Laufband regelmäßig zu überprüfen.

Empfohlene Schmierung des Laufbandes

Das Laufband zeigt eine Meldung auf dem Bildschirm an, wenn 300 km zurückgelegt wurden. Dies ist eine automatische Erinnerung des Systems, dass das Laufband geschmiert werden muss.

Anleitung

- Heben Sie das Laufband an und reinigen Sie es mit einem feuchten Tuch, um Schmutz und Staub zu entfernen.
- Tragen Sie eine kleine Menge Silikonöl unter dem Laufband auf. Verwenden Sie dazu eine Silikon-Sprühflasche oder träufeln Sie zwei oder drei Tropfen Silikonöl über die Länge des Laufbandes. Tun Sie dies auf beiden Seiten des Laufbandes.
- Schalten Sie das Laufband ein und lassen Sie es drei Minuten lang laufen, ohne sich darauf zu stellen. Dadurch wird sichergestellt, dass sich das Silikonöl gut auf dem Laufband verteilt und überschüssiges Öl entfernt wird.
- Überprüfen Sie den Zustand des Laufbandes regelmäßig und tragen Sie bei Bedarf erneut Silikonöl auf. Vergewissern Sie sich, dass das Laufband sauber und trocken ist, bevor Sie darauf laufen.



HINWEIS! Regelmäßige Wartung verlängert die Lebensdauer des Laufbandes und beugt Verletzungen vor!

FEHLERSUCHE

Kein Signal, wenn das Netzteil angeschlossen ist: Prüfen Sie, ob die

Kabel an der Konsole richtig angeschlossen sind. Vergewissern Sie sich, dass alle Kabel sicher befestigt sind. Die Aluminiumenden der Konsolenkabel sind sehr empfindlich und sollten gerade gehalten werden. Wenn die Konsole eine Fehlermeldung ausgibt, können die Aluminiumenden des Kabels verbogen sein. Richten Sie die Aluminiumenden gerade, um die Fehlermeldung zu beheben.

Kein Strom: Prüfen Sie, ob der Adapter und die Kabel richtig angeschlossen sind.

Stromausfall: Prüfen Sie, ob das Sensorkabel richtig angeschlossen ist.

Sicherheitsschlüssel funktioniert nicht: Prüfen Sie, ob der Sicherheitsschlüssel richtig angebracht ist.

KONSOLE (FIG. A)



INCLINE/CALORIES: Das Display zeigt die Anzahl der verbrannten Kalorien an. Dies ist eine Anzeige, die von der tatsächlichen Zahl abweichen kann. Der Zähler zählt von 0 bis 999, wenn Sie 999 erreichen, beginnt er wieder bei 0. Wenn Sie abwärts zählen, geht der Zähler auf 0 und wenn der Zähler 0 erreicht, geht das Laufband langsam in den Ruhezustand über. Wenn die Steigung ausgewählt ist, zeigt das Laufband 0-15% an. Ist dies nicht der Fall, zeigt das Laufband nach 30 Sekunden eine Kalorienanzeige an.

00.0
🔥

00:00
⌚

00.00
/km

00.0
🏃❤️

TIME: Zeigt die Dauer des Laufs an.

KM: Zeigt die Entfernung in Kilometern an.

SPEED/HEARTRATE: Das Display zeigt Ihre aktuelle Geschwindigkeit von 0,8 bis 20,0 km/h an. Wenn Sie den Herzfrequenzsensor festhalten, wird die aktuelle Herzfrequenz von 50-200/min angezeigt (die Daten können nicht für medizinische Zwecke verwendet werden und sind indikativ).

INCLINE
6 | 8 | 10 Zeigt die Höhe/Position der Steigung an.

INCLINE: Drücken Sie diese Tasten, um den Neigungswinkel einzustellen. Sie müssen dies tun, während Sie das Laufband benutzen. Wenn Sie die Taste länger als 0,5 Sekunden drücken, wird die Neigung weiter erhöht oder verringert.



Drücken Sie die MODE-Taste erneut, um 15:00, 1.00, 50.0 und 5 Hübe zu wählen: dies ist der Kalorien-Countdown-Modus, 0:00 ist der manuelle Modus.



PLAY/PAUSE: zum Anhalten oder Starten von Musik oder Videos.



Drücken Sie diese Taste, um einen der drei Unterhaltungsmodi zu wählen: Standby-Modus, Audio-Modus und Video-Modus. Wenn Sie ein Video abspielen, drücken Sie diese Taste, um es im Vollbildmodus zu sehen.



Wenn Sie den Sicherheitsschlüssel an Ihrer Kleidung befestigen und das Gerät an den Strom angeschlossen haben, können Sie diese Taste drücken, um das Laufband zu starten.



Sicherheitsschlüssel.



Stoppt das Training.



MP3

MP3: Sie können Ihr Mobiltelefon oder Tablet mit einem AUX-Kabel anschließen, um Musik zu hören.



Halten Sie die Taste gedrückt, um die Lautstärke zu verringern, wenn Sie Musik hören oder ein Video ansehen.



Halten Sie die Taste gedrückt, um die Lautstärke zu erhöhen, wenn Sie Musik hören oder ein Video ansehen.



Drücken Sie die PROG-Taste und das Laufband zeigt folgendes an: P1-P2.....P24--U1--U3--HP1--HP2--FAT (P1-P24 sind voreingestellte Programme, U1-U3 sind benutzerbasierte Programme, HP1-HP2 ist ein Herzfrequenzkontrollprogramm und FAT ist eine Körperfett-Testfunktion).



SPEED 6,8,10: Zeigt die Geschwindigkeit an.

Taste für die Geschwindigkeitskontrolle. Wenn das Laufband in Betrieb ist, können Sie diese Taste drücken, um die Geschwindigkeit einzustellen. Jedes Mal, wenn Sie eine der beiden Tasten drücken, wird 0,1 KM hinzugefügt oder abgezogen. Wenn Sie die Taste länger als 0,5 Sekunden drücken, wird die Geschwindigkeit kontinuierlich verringert oder erhöht.



FUNKTIONEN



Steigung.

Halten Sie den Herzfrequenzsensor einige Sekunden lang gedrückt, und Ihre Herzfrequenz wird zwischen 50 und 200/min angezeigt (die Daten können nicht für medizinische Zwecke verwendet werden und sind indikativ).



Zeit.



Entfernung.



Kalorien.



Geschwindigkeit.



Bluetooth-Verbindung und Anwendung.



Stoppuhr.



Entfernung.



Kalorien.

PROGRAMME (FIG. B, 1-3)

Aufrufen der Startseite (FIG. B-1)

Auf der Startseite gibt es vier Funktionen: MODUS, PROGRAM, MUSIC und VIDEO. Es gibt 3 verschiedene Funktionen: CONTEST MODE, MANUAL MODE und UNDER MODE. Außerdem gibt es 24 voreingestellte Programme, 3 manuelle Programme, 2 HCR-Programme (optional) und 1 FAT-Testprogramm.

Schnellstart

- Schalten Sie das Laufband ein und befestigen Sie den Sicherheitsschlüssel an Ihrer Kleidung.
- Drücken Sie START und das Laufband erreicht eine Geschwindigkeit von 0,8 km/h. Nach dem Abzählen der Pieptöne wechselt der Countdown von 3 auf 1.
- Mit SPEED können Sie die Geschwindigkeit an Ihre Bedürfnisse anpassen.

Beschreibung der Funktionen

Drücken Sie MODE, um den Timer-Modus zu starten. Drücken Sie wiederholt MODE, um "15:00", "1.00", "50.0", "Wettkampfmodus" und "0.00" auszuwählen (15:00 ist ein Zeitmodus, 1:00 ist ein Streckenmodus, 50:0 ist ein Kalorienmodus, 0:00 ist ein manueller Modus). Wenn Sie einen Modus gewählt haben, können Sie -SPEED+ oder -INCLINE+ einstellen. Wenn Sie bereit sind, drücken Sie START und das Laufband beginnt zu laufen.



Zeigt die Trainingszeit von 0:00 bis 18:00 an. Wenn Sie 18:00 erreichen, beginnt der Countdown bei 0 und das Laufband läuft weiter. Im Countdown-Modus zeigt das Display 15:00 bis 0:00 an. Wenn Sie 0:00 erreicht haben, hält das Laufband an. Das System selbst gibt Ihnen einen Punkttestand an und geht in den Schlafmodus über.



Bildschirm: 0.00-99.9 Wenn Sie 99.9 erreichen, beginnt das System von 0.00 herunterzuzählen. Im Countdown-Modus verringert sich die Standardentfernung von 1,00 auf 0,00. Das System zeigt Ihnen eine Punktzahl an und geht in den Ruhezustand über.



Bildschirm: 0.-999 Wenn Sie 999 erreichen, kehrt das System zu 0 zurück. Im Countdown-Modus sinkt die Standard-Kalorienzahl von 50,0 auf 0. Das System gibt Ihnen einen Punkttestand an und wechselt in den Schlafmodus.

Manueller Modus (FIG. B-2)

Drücken Sie "START" und das Laufband läuft mit einer Geschwindigkeit von 0,8 km/h. Alle anderen Bildschirme zählen auf 0. Alle anderen Anzeigen zählen von 0 abwärts. Drücken Sie "-SPEED+", um die Geschwindigkeit einzustellen. Drücken Sie "-INCLINE+", um die Steigung einzustellen.

Es gibt 3 Benutzerprogramme. Diese sind Benutzer 1, Benutzer 2 und Benutzer 3.

- Drücken Sie PROG, bis Benutzer 1 erscheint. Drücken Sie INCLINE oder SPEED, um die Trainingszeit einzustellen.
- Drücken Sie INCLINE oder SPEED, um die Trainingszeit einzustellen.
- Drücken Sie MODE, um die Trainingsdaten abzurufen. Drücken Sie INCLINE oder SPEED, um die Trainingszeit, Geschwindigkeit

und Steigung für die erste Stufe einzustellen. Drücken Sie MODE, um die Daten für die nächste Stufe einzustellen. Wiederholen Sie die obigen Schritte, um die Daten für die anderen 8 Stufen einzustellen. Wenn Sie alle Daten eingestellt haben, werden sie gespeichert, bis Sie das Programm zurücksetzen. Nachdem Sie die Daten eingestellt haben, können Sie auf START drücken, um mit dem Training zu beginnen.

ITEM	INITIAL	DATA	RANGE	DISPLAY
TIME	0:00	30:00	5:00 - 99:00	0:00 - 99:59
INCLINE	0	0	0 - 15	0 - 15
SPEED	0.0	0.8	0.8 - 20	0.8 - 20
DISTANCE	0.00	1.00	0.50 - 99.00	0.00 - 99.99
HEART	P	N/A	N/A	50 - 200
CALORIE	0	50.0	10.0 - 999	0.0 - 999

Countdown modus

- Countdown-Modus: Drücken Sie MODE, um den Countdown-Modus zu starten. Die Standardzeit 15 wird auf dem Display angezeigt. Drücken Sie "-INCLINE+" oder "-SPEED+", um die Zeit von 5:00 bis 99:00 zu ändern.
- Modus Distanz-Countdown: Drücken Sie "MODE", um den Distanz-Countdown-Modus zu starten. Die Standarddistanz beginnt bei "1.00" und wird auf dem Bildschirm angezeigt. Drücken Sie "-INCLINE+" oder "-SPEED+", um die Distanz von 0,5 bis 99,9 zu ändern.
- Modus "Kalorien-Countdown": Drücken Sie "MODE", um den Kalorien-Countdown-Modus zu starten. Der Standard-Kalorien-Countdown beginnt bei "50.0", der auf dem Bildschirm angezeigt wird. Drücken Sie "-INCLINE+" oder "-SPEED+", um die Distanz von 10,0 bis 999,0 zu ändern.
- Sobald Sie Ihr Training beendet haben, zeigt das Display sofort Ihre Laufdaten an.

Match-Modus

Halten Sie MODE gedrückt, um den Wettkampfmodus zu starten. Es gibt 6 Rennmodi. Diese sind 3,0 km, 5,0 km, 10,0 km, 5,0 km, 21,1 km und 42,19 km.



C = COMPUTER. Auf dem Display wird der prozentuale Anteil der Maschine an der Strecke angezeigt. Die Standardgeschwindigkeit des Geräts beträgt 9km/h. Sie können die Geschwindigkeit des Geräts anpassen, indem Sie die Laufzeit ändern.



U = USER. Auf dem Display wird der prozentuale Anteil der vom Benutzer zurückgelegten Strecke angezeigt.

LAUFSTRECKE	AUTOMATISCHE ZEIT
3 km	18:00 Minuten
5 km	30:00 Minuten
10 km	01:00:00 Minuten
15 km	01:30:00 Minuten
21,10 km	02:06:35 Minuten
42,19 km	04:13:10 Minuten

Drücken Sie MODE, wählen Sie die gewünschte Renndistanz und drücken Sie "-INCLINE+" oder "-SPEED+", um die Rennzeit zu ändern. Drücken Sie START zum Starten.

Voreingestelltes Programm

Drücken Sie PROG, um das Programm zu starten. Drücken Sie "PROG", um eines der folgenden Programme zu wählen: Programm1-24, U1-U2-U3, HP1-HP2, FAT in dieser Reihenfolge. Es gibt 30 verschiedene vordefinierte Programme. FAT ist ein Fett-Testprogramm.



Dauer des Programms: Die automatische Dauer beträgt 10 Minuten. Drücken Sie "-INCLINE+" oder "-SPEED+", um die Zeit von 5 bis 99 zu ändern.



Hauptprogramm: Jedes Programm ist in 10 Stufen unterteilt.

- Drücken Sie PROG, auf dem Display wird "Programm 1-24" angezeigt.
- Wählen Sie Ihr bevorzugtes Programm. Die Standardzeit ist 10:00. Drücken Sie "-INCLINE+" oder "-SPEED+", um die Zeit zu ändern.
- Drücken Sie START, um Ihr Training zu beginnen. Drücken Sie "-INCLINE+" oder "-SPEED+", um die Geschwindigkeit oder Steigung während des Trainings auf jeder Stufe zu ändern.
- Wenn Sie die vorherige Stufe abgeschlossen haben, wechselt das System zur nächsten Stufe, wo die Geschwindigkeit und die Steigung an Ihr Niveau angepasst werden.
- Nach Beendigung jedes Programms weist Ihnen das System eine Punktzahl zu.
- Programm-Übersicht. Jedes Programm ist in 10 Stufen unterteilt und jede Stufe hat ihre eigene Geschwindigkeit und Steigung.

HRC-Programm

Drücken Sie die MODE-Taste, bis "Herzfrequenzprogramm1" oder "Herzfrequenzprogramm2" erscheint.

- Jedes HRC-Programm ist in 10 Stufen unterteilt.
- Drücken Sie im Standby-Modus PROG, bis "Herzfrequenzprogramm 1" oder "Herzfrequenzprogramm 2" erscheint. Die Höchstgeschwindigkeit für dieses Programm beträgt 10,0km/h. Hinweis: Wenn Sie im HRC-Modus "Start" drücken, fordert das System eine Herzfrequenzprüfung an. Einstellung für den Besitzer, wenn das Alter 30 ist, sollte die Zielherzfrequenz 114 sein. Einstellung für den Benutzer, bei einem Alter von 30 Jahren, ist die Zielherzfrequenz 114.
- Drücken Sie MODE, um das Alter zu ändern, indem Sie "-INCLINE+" oder "-SPEED+" drücken. Das Alter kann zwischen 15 und 80 Jahren eingestellt werden.
- Nachdem Sie Ihr Alter eingestellt haben, drücken Sie "MODE" und das System schlägt Ihnen einen geeigneten Zielwert vor, der auf dem Bildschirm angezeigt wird. Sie können auch "-INCLINE+" oder "-SPEED+" drücken, um eine erwartete Herzfrequenz auf der Grundlage Ihrer körperlichen Verfassung einzustellen, von 84 bis 133.
- Wenn Sie Ihr Alter und Ihre Herzfrequenz eingestellt haben, drücken Sie "MODE", um die Zeit einzustellen. Auf dem Display wird "TIME" angezeigt, wenn Sie drücken, wird 10:00 angezeigt. Drücken Sie "-INCLINE+" oder "-SPEED+", um die Zeit von 10:00 bis 99:00 einzustellen.
- Wenn Sie alle Einstellungen vorgenommen haben, können Sie auf START drücken, um zu starten.
- Wenn Sie "-INCLINE+" oder "-SPEED+" drücken, um die Steigung oder die Geschwindigkeit einzustellen, passt das System die Geschwindigkeit und die Steigung selbst an die für Ihre körperliche Verfassung geeigneten Einstellungen an.
- Die erste Minute des HRC-Programms ist eine Aufwärmphase, Sie können die Geschwindigkeit und die Steigung manuell einstellen. Das System beschleunigt jeweils um 0,5 km, was nach der ersten Minute automatisch in Abhängigkeit von Ihrer Herzfrequenz erfolgt. Wenn die aktuelle Geschwindigkeit über 10 km/h in HP1 oder 12 km/h in HP2 liegt und Ihre aktuelle Herzfrequenz unter Ihrer Zielherzfrequenz liegt, passt das System die Steigung automatisch an, bis Ihre Herzfrequenz Ihre Zielherzfrequenz erreicht. Wenn die Herzfrequenz nicht länger als 30 Sekunden gehalten werden kann, reduziert das System die Geschwindigkeit um 0,5 km/h und die Steigung alle 10 Sekunden um einen Abschnitt, bis der niedrigste Punkt erreicht ist.

ANMERKUNG!

- **Drücken Sie im HPI- oder HP2-Modus direkt auf START, und das Laufband wird die Daten automatisch verarbeiten.**
- **Das Programm zur Überwachung der Herzfrequenz ist nur verfügbar, wenn der Brustgurt angelegt wurde und dicht an Brust und Haut anliegt.**

Allgemeine Herzfrequenzbereiche (FIG. B-3)


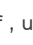
Bei intensivem Training sollten Sie Ihren Arzt um Rat fragen.

- **Gesunder Herzfrequenzbereich:** 50%-60% der maximalen Herzfrequenz. Sie ist für die meisten Anfänger geeignet. Sie ist gut für die Gewichtsabnahme, die Senkung des Blutdrucks und des Cholesterinspiegels.
- **Temperaturbereich:** 60%-70% der maximalen Herzfrequenz. Sie ist gut für die Gewichtsabnahme und die Verbrennung von mehr Kalorien
- **Aerobe Zone:** 70%-80% der maximalen Herzfrequenz. Er ist gut für Herz und Lunge.
- **Anaerober Schwellenbereich:** 80-90 % der maximalen Herzfrequenz. Dies ist ein sehr intensives Training und eignet sich für fortgeschrittene Trainer.
- **Red Line Zone:** 90%-100% der maximalen Herzfrequenz. Dies ist ein begrenztes Training für Benutzer. Bitte verwenden Sie es nicht zu lange, da es Ihre Gesundheit schädigen kann.

Körperfett-Test

- Drücken Sie PROG, um den FAT-Modus zu starten. Geben Sie Ihr Geschlecht, Alter, Größe und Gewicht ein. Halten Sie anschließend den Sensor länger als 8 Sekunden an Ihr Handgelenk. Die Ergebnisse werden dann auf dem Bildschirm angezeigt.
- Ein Body Mass Index (BMI) zwischen 20 und 25 ist ideal. Wenn der BMI unter 19 liegt, bedeutet dies, dass Sie untergewichtig sind. Wenn der BMI zwischen 26 und 29 liegt, bedeutet dies, dass Sie untergewichtig sind. Wenn der BMI zwischen 26 und 29 liegt, bedeutet dies, dass Sie leicht übergewichtig sind. Wenn der BMI 30 oder mehr beträgt, bedeutet dies, dass Sie übergewichtig sind. Diese Daten dienen als Richtwerte und sollten nicht für medizinische Zwecke verwendet werden.

Medien

Drücken Sie diese Taste  um zwischen den Modi Musik und Video zu wechseln. Wenn die Videooption ausgewählt ist und ein Video abgespielt wird, drücken Sie auf , um das Video auf dem gesamten Bildschirm anzuzeigen.

Energiesparmodus

Wenn das Laufband 10 Minuten lang nicht benutzt wird, schaltet es in den Energiesparmodus. Sie können diesen Modus durch Drücken einer beliebigen Taste verlassen.

Ausschalten des Geräts

Um die Lebensdauer des Laufbandes zu verlängern, drücken Sie zuerst die STOP-Taste. Drücken Sie dann den Schalter, um das Gerät auszuschalten. Ziehen Sie dann den Stecker und schließlich den Sicherheitsschlüssel ab. Wenn Sie den Sicherheitsschlüssel sofort abziehen, wird das Gerät unnötigerweise wieder eingeschaltet.

TRAININGSRICHTLINIEN (FIG. C, 1-5)

Ein erfolgreiches Trainingsprogramm umfasst ein Aufwärmprogramm, das eigentliche Training und ein Abkühlprogramm. Führen Sie das komplette Trainingsprogramm mindestens zweimal, besser jedoch

dreimal pro Woche durch und halten Sie einen Ruhetag zwischen den Trainingseinheiten ein. Nach einigen Monaten kann die Intensität des Trainings erhöht werden, zum Beispiel auf vier- oder fünfmal pro Woche.

Das Aufwärmen

Das Aufwärmen dient dazu, den Körper auf das Training vorzubereiten und das Verletzungsrisiko zu verringern. Wärmen Sie Ihren Körper zwei bis fünf Minuten lang auf, bevor Sie mit einem Ausdauer- oder Krafttraining beginnen. Machen Sie Übungen, die die Herzfrequenz erhöhen und die arbeitenden Muskeln aufwärmen. Beispiele für diese Art von Aktivität sind Laufen, Joggen, Hampelmänner, Hüpfen und Laufen auf der Stelle.

Dehnen

Dehnen, während die Muskeln warm sind, ist nach einem guten Aufwärm- und Abkühltraining sehr wichtig. Dadurch wird das Verletzungsrisiko verringert. Dehnungsübungen sollten 15-30 Sekunden lang gehalten werden. Hier sind einige Beispiele für Dehnungsübungen:

- Toe touch (Fig. C-1)
- Inner thigh stretch (Fig. C-2)
- Hamstring stretch (Fig. C-3)
- Achilles stretch (Fig. C-4)
- Side stretch (Fig. C-5)

Abkühlung

Der Zweck des Cool-downs besteht darin, den Körper am Ende des Trainings in seine (fast) normale Ruheposition zu bringen. Ein gutes Cool-down senkt langsam die Herzfrequenz und fördert die Regeneration.

SOMMAIRE

Consignes de sécurité	38
Garanties	38
Instructions de montage	38
Ajustement	39
Instructions de pliage	39
Démontable	39
Clé de sécurité	40
Entraînement avec la fréquence cardiaque	40
Entraînement avec des APPS de fitness	40
Instructions d'entretien	41
Lubrification du tapis roulant	41
Dépannage	42
Console	42
Programmes	43
Directives de formation	46

CONSIGNES DE SÉCURITÉ

⚠ AVERTISSEMENT

Consultez votre médecin avant de commencer à faire de l'exercice. Ceci est particulièrement important pour les personnes ayant des problèmes de santé. Veuillez lire toutes les instructions avant d'utiliser la machine. VirtuFit n'assume aucune responsabilité pour les blessures ou les dommages matériels résultant de l'utilisation de cet équipement. Veuillez lire attentivement ce manuel avant d'assembler et/ou d'utiliser la machine.

- Assurez-vous que la machine est correctement assemblée et que tous les écrous et boulons sont bien serrés avant de l'utiliser.
- Ne portez pas de vêtements amples pour éviter qu'ils ne se prennent dans les pièces mobiles.
- Installez et utilisez l'appareil sur une surface solide et plane.
- Portez toujours des chaussures de sport propres lorsque vous utilisez l'appareil.
- Tenez les enfants et les animaux domestiques à l'écart de l'appareil pendant son utilisation.
- Maintenez votre équilibre lorsque vous utilisez l'appareil.
- Ne placez pas vos doigts ou d'autres objets dans les parties mobiles.

- Avant de vous entraîner, consultez votre médecin afin de déterminer la fréquence, la durée et l'intensité d'entraînement appropriées à votre âge et à votre condition physique. Arrêtez immédiatement l'entraînement si vous ressentez des nausées, un essoufflement, un évanouissement, des maux de tête, des douleurs thoraciques, une oppression ou tout autre malaise.
- Cet appareil ne doit être utilisé que par une seule personne à la fois.
- Cette machine est conçue pour un usage domestique et le poids maximal de l'utilisateur est de 150 kg.
- Laissez 1 à 2 mètres d'espace derrière la machine pour éviter les accidents.
- Placez la machine sur une surface propre et plane. Ne le posez pas sur un tapis épais, qui pourrait gêner la ventilation de l'appareil. Ne placez pas l'appareil à l'extérieur ou près de l'eau.
- Maintenez l'emplacement de stockage sec, propre et de niveau pour éviter tout dommage. Il est interdit d'utiliser l'appareil à des fins autres que la formation.
- Utilisez l'appareil uniquement dans un environnement dont la température ambiante est comprise entre 10 °C et 35 °C. Conservez l'appareil uniquement dans un environnement dont la température est comprise entre 5 °C et 45 °C.

GARANTIE

Les demandes de garantie sont exclues si la cause du défaut est le résultat de:

- Travaux d'entretien et de réparation non effectués par un concessionnaire officiel. Sauf indication contraire du fournisseur.
- En cas d'utilisation inappropriée, de négligence et/ou de mauvais entretien.
- Le fait de ne pas entretenir l'appareil conformément aux instructions du fabricant.

INSTRUCTIONS DE MONTAGE (STEP 01-08)

Des pièces manquantes: Si certaines pièces manquent dans l'emballage, vérifiez soigneusement la mousse de polystyrène et l'appareil lui-même. Certaines pièces (boulons, vis, etc.) sont déjà fixées à l'appareil.

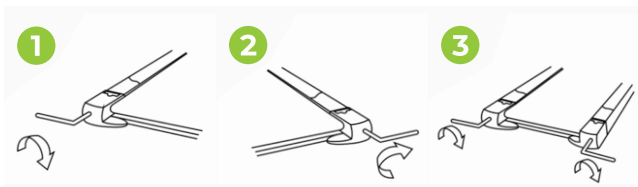
Message d'erreur: Veillez à ce que tous les câbles soient fixés avec soin. Les pieds en aluminium de la console sont très sensibles et doivent rester droits. Si la console donne un message d'erreur après le montage de la machine, il se peut que les pieds en aluminium de la console soient pliés. Redressez les pieds en aluminium, cela peut faire disparaître le message d'erreur.

Boulons à tête hexagonale: Assurez-vous que la clé hexagonale est bien enfoncée dans le boulon avant d'appliquer la force. Cela empêchera la tête du boulon à douille de tourner.

AJUSTEMENT

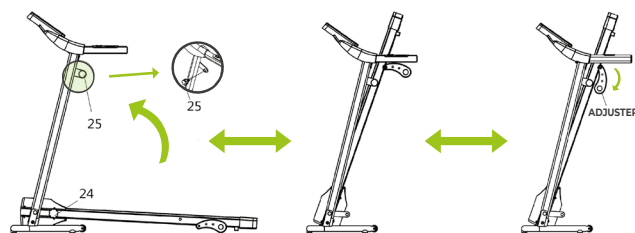
Réglage du tapis roulant

- Le tapis roulant dévie vers la gauche:** Mettez le tapis de course en marche, réglez la vitesse sur 2 à 3 km/h sans forcer. Utilisez la clé Allen pour tourner la vis située sur le côté gauche de l'extrémité d'un quart de tour vers la droite (1). Faites marcher le tapis roulant pendant 1 à 2 minutes sans charge. Répétez le processus jusqu'à ce que le tapis roulant soit exactement au milieu.
- Le tapis roulant dévie vers la droite:** Démarrez le tapis roulant, réglez la vitesse sur 2 à 3 km/h sans charge sur le tapis roulant. À l'aide de la clé hexagonale, tournez la vis située sur le côté droit de l'extrémité d'un quart de tour vers la droite (2). Faites marcher le tapis roulant pendant 1 à 2 minutes sans charge.
- Le tapis roulant s'est bloqué:** Utilisez la clé Allen pour tourner la vis du côté droit de l'extrémité d'un demi-tour vers la droite et la vis du côté gauche de l'extrémité d'un demi-tour vers la droite également. Répétez le processus jusqu'à ce que le blocage soit résolu (3).



INSTRUCTIONS DE PLIAGE

REMARQUE! Conservez l'appareil dans une pièce sèche et hors de portée des enfants. Veillez à ce que l'appareil soit stable et sécurisé afin qu'il ne puisse pas se renverser sur des enfants ou des animaux.



Pliage

- Soutenez le tapis roulant avec les mains au point F.
- Poussez le tapis roulant vers le haut jusqu'à ce que vous entendiez un bruit du ressort.
- Le tapis roulant est replié.

ATTENTION! Ne pliez pas le tapis roulant lorsqu'il est utilisé.

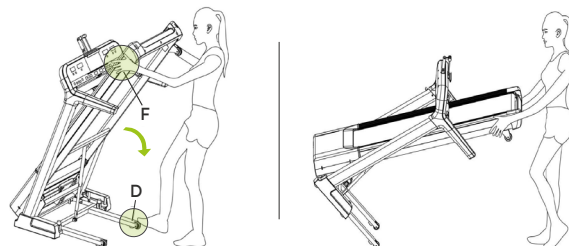
Dépliage

- Soutenez le tapis roulant avec vos mains au point F.
- Appuyez sur le point E avec votre pied et le tapis roulant se dépliera.
- Tenez la bande et guidez-la jusqu'à ce qu'elle touche le sol.
- Le tapis roulant est déplié.

DÉMONTABLE

ATTENTION! Conservez l'appareil dans une pièce sèche et hors de portée des enfants. Assurez-vous que l'appareil est stable et sécurisé afin d'éviter qu'il ne tombe sur les enfants ou les animaux.

- Soutenez le tapis roulant avec les mains au point F.
- Avec les mains (F), pousser lentement le tapis roulant vers le sol. Lorsque le point le plus bas avec la position F est atteint, les roues peuvent être utilisées.
- Pousser le tapis roulant jusqu'à l'endroit où il doit être placé.



CLÉ DE SÉCURITÉ

Attachez l'extrémité de la clé de sécurité à votre vêtement. Si la clé de sécurité est retirée du tapis roulant, celui-ci s'arrête d'urgence. Le tapis roulant s'arrête immédiatement. Une alarme retentit trois fois et diverses données s'affichent à l'écran. Une fois la clé de sécurité rattachée à l'appareil, celui-ci peut à nouveau être utilisé.

ENTRAÎNEMENT AVEC LA FRÉQUENCE CARDIAQUE

Capteurs de main

Cet appareil de fitness VirtuFit est équipé de capteurs manuels pour mesurer la fréquence cardiaque. Les capteurs manuels sont fixés à la poignée et ne fonctionnent que si les deux capteurs sont maintenus pendant une période prolongée. Pour une performance optimale, il est important que les mains soient légèrement humides et exercent une pression constante sur les capteurs. Des mains trop sèches ou trop humides peuvent entraîner des relevés anormaux.

REMARQUE! Pour éviter toute interférence, n'utilisez jamais les capteurs manuels avec un moniteur de fréquence cardiaque sans fil.

Moniteur de fréquence cardiaque sans fil (5 kHz)

Cet appareil de fitness VirtuFit est équipé d'un récepteur de fréquence cardiaque sans fil. Pour mesurer la fréquence cardiaque avec un moniteur de fréquence cardiaque sans fil, vous devez utiliser un moniteur de fréquence cardiaque qui fonctionne sur une fréquence de 5 kHz. Avec un cardiofréquencemètre sans fil, il est important que les électrodes soient légèrement humides et que le cardiofréquencemètre soit bien adapté à votre corps. Reportez-vous au manuel d'utilisation de votre cardiofréquencemètre pour obtenir des instructions appropriées. Une utilisation incorrecte du moniteur de fréquence cardiaque peut entraîner des relevés anormaux.

REMARQUE!

- Un moniteur de fréquence cardiaque sans fil n'est pas fourni en standard. Contactez votre revendeur pour acheter un moniteur de fréquence cardiaque sans fil.
- Pour éviter toute interférence, n'utilisez jamais le cardiofréquencemètre sans fil en combinaison avec les capteurs manuels.

⚠ AVERTISSEMENT!

- Si vous avez un stimulateur cardiaque, nous vous

recommandons de consulter votre médecin avant d'utiliser un moniteur de fréquence cardiaque sans fil.

- Dans les pièces où se trouvent plusieurs cardiofréquencemètres, il est recommandé de garder une distance suffisante pour éviter les interférences entre les différents appareils.
- Essayez toujours de maintenir le cardiofréquencemètre sans fil à moins d'un mètre de la console pour une réception optimale.
- Portez toujours un cardiofréquencemètre sans fil directement sur le corps, sous les vêtements.

ENTRAÎNEMENT AVEC DES APPS DE FITNESS

VirtuFit ne fournit pas de service pour les applications de fitness tierces telles que Kinomap, iConsole, FitShow etc. Si vous rencontrez des problèmes avec une application de fitness tierce, veuillez contacter le développeur de l'application en question.

Instruction

- Pour scanner le code QR avec un téléphone ou une tablette Android ou IOS, un scanner de code QR est nécessaire. L'application permettant de scanner les codes QR peut être téléchargée sur l'App Store ou le Google Play Store.
- Scannez l'un des codes QR ci-dessous pour accéder directement à la page de l'App Store ou du Google Play Store où l'application de fitness peut être téléchargée.
- Scannez le code QR à droite pour accéder au manuel de l'application de fitness. Le manuel décrit étape par étape comment connecter l'application de fitness à l'appareil, comment l'application de fitness fonctionne et quelles sont ses possibilités.

Fitshow



APP STORE



GOOGLE PLAY



MANUAL

Kinomap



APP STORE

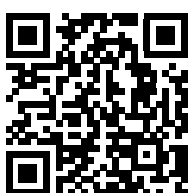


GOOGLE PLAY



MANUAL

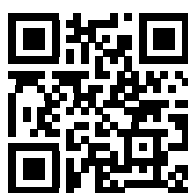
Zwift



APP STORE



GOOGLE PLAY



MANUAL

ENTRETIEN

Une utilisation sûre et efficace ne peut être obtenue que si l'appareil est correctement installé et entretenu. Il est de votre responsabilité de veiller à ce que l'appareil soit entretenu régulièrement. Les pièces qui ont été utilisées et/ou endommagées doivent être remplacées avant toute nouvelle utilisation de l'appareil. L'appareil doit être utilisé et rangé uniquement à l'intérieur. Une exposition à long terme aux intempéries et aux changements de température/humidité peut avoir un impact sérieux sur les composants électriques et les pièces mobiles de l'appareil. Débranchez toujours le câble d'alimentation de l'appareil avant de le nettoyer ou de l'entretenir.

Entretien quotidien

- Nettoyez et éliminez la sueur et l'humidité après chaque utilisation.
- Vérifiez que l'appareil est exempt de poussière et de saleté.
- N'utilisez pas de produits de nettoyage agressifs et maintenez l'appareil à l'abri de l'humidité.

Entretien semestriel

- Inspecter tous les écrous et boulons des parties mobiles de l'appareil. Serrer les boulons et les écrous si nécessaire et selon les besoins.
- Dépoussiérer le tapis roulant. Mettez le tapis roulant hors tension et retirez l'alimentation électrique. Retirez

soigneusement le capot et essuyez la poussière et la saleté à l'aide d'un chiffon doux ou utilisez un aspirateur (à main) si nécessaire. Remettre le capot en place et remettre l'appareil sous tension.

Nous recommandons ce qui suit:

- Nettoyez l'appareil après utilisation.
- Utilisez un chiffon sec pour nettoyer le panneau de commande et les zones autour de l'interrupteur marche/arrêt.
- Utilisez un chiffon doux et propre et un détergent pour éliminer les marques et les saletés tenaces sur l'appareil.
- Conservez l'appareil dans un endroit sûr et sec, à l'abri de la chaleur et de l'eau.

ATTENTION!

- Toute réparation doit être effectuée par un technicien professionnel, sauf indication contraire du fournisseur ou du fabricant.
- Pour éviter de glisser pendant l'exercice, le tapis du tapis roulant ne doit pas être trop lâche. Pour éviter l'abrasion entre le rouleau et le tapis roulant et pour garantir le bon fonctionnement de l'appareil, le tapis roulant ne doit pas être trop serré. La distance entre le marchepied et le tapis doit être réglée. La distance entre le marchepied et le tapis doit être de 50 à 75 mm des deux côtés.

Nettoyage

Un nettoyage général de l'appareil prolongera sa durée de vie. Gardez l'appareil propre en le dépoussiérant régulièrement. Un entretien régulier prolongera la durée de vie de votre appareil et évitera les blessures ! Pour de plus amples informations, veuillez consulter le site <https://www.virtufit.nl/service/faq/>

ATTENTION! Portez des chaussures propres pour réduire le risque de salir l'appareil. Au moins une fois par an, retirez le capot pour le dépoussiérer.

LUBRIFICATION DU TAPIS ROULANT

Le tapis roulant est équipé d'un revêtement pré-lubrifié qui nécessite peu d'entretien. L'usure du tapis roulant joue un rôle important dans le fonctionnement et la durabilité du tapis roulant, c'est pourquoi il doit être lubrifié périodiquement. Nous vous recommandons de contrôler régulièrement le tapis roulant.

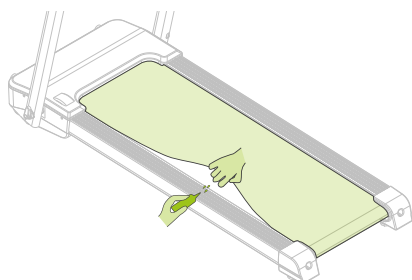
Lubrification recommandée du tapis roulant:

Le tapis roulant affiche un message sur l'écran lorsque 300 km ont été

parcourus. Il s'agit d'un rappel automatisé du système indiquant que le tapis roulant doit être lubrifié.

Instructions

- Soulevez le tapis roulant et nettoyez-le avec un chiffon humide pour éliminer la saleté et la poussière.
- Appliquez une petite quantité d'huile de silicone sous le tapis roulant. Pour ce faire, utilisez un vaporisateur de silicone ou faites couler deux ou trois gouttes d'huile de silicone sur la longueur du tapis. Faites-le des deux côtés du tapis roulant.
- Mettez le tapis roulant en marche et laissez-le fonctionner pendant trois minutes sans vous y tenir. Cela permet de s'assurer que l'huile de silicone est correctement répartie sur le tapis et que l'excédent d'huile est éliminé.
- Vérifiez régulièrement l'état du tapis roulant et appliquez à nouveau de l'huile de silicone si nécessaire. Assurez-vous que le tapis est propre et sec avant d'y monter.



REMARQUE! Un entretien régulier permet de prolonger la durabilité du tapis roulant et d'éviter les blessures !

DÉPANNAGE

Il n'y a pas de signal lorsque l'alimentation est connectée: Vérifiez que les câbles de la console sont correctement connectés. Veillez à ce que tous les câbles soient fixés avec soin. Les extrémités en aluminium des câbles de la console sont très sensibles et doivent rester droites. Si la console émet un message d'erreur, il se peut que les extrémités en aluminium du câble soient inclinées. Redressez les extrémités en aluminium, ce qui peut résoudre le message d'erreur.

Pas d'alimentation: Vérifiez que l'adaptateur et les câbles sont correctement connectés.

Perte d'alimentation: Vérifiez que le câble du capteur est correctement branché.

La clé de sécurité ne fonctionne pas: Vérifiez que la clé de sécurité est correctement fixée.

CONSOLE (FIG. A)



INCLINE/CALORIES : L'écran indique le nombre de calories brûlées. Il s'agit d'une indication qui peut être différente de la réalité. Le compteur compte de 0 à 999, lorsque vous atteignez 999, il repart à 0. Lorsque vous comptez à rebours, le compteur passe à 0 et lorsque le compteur atteint 0, le tapis roulant passe lentement en mode veille. Lorsque l'inclinaison est sélectionnée, le tapis roulant affiche 0-15%. Si ce n'est pas le cas, le tapis roulant affiche un écran de calories au bout de 30 secondes.

00.0



00:00



00.00



00.0



TIME : Indique la durée de la course.

KM : Indique la distance en kilomètres.

SPEED/HEART RATE : L'écran affiche votre vitesse actuelle de 0,8 à 20,0 km/h. Lorsque vous tenez le capteur de fréquence cardiaque, la fréquence cardiaque actuelle s'affiche 50-200/min (les données ne peuvent pas être utilisées à des fins médicales et sont indicatives).

INCLINE
6 | 8 | 10 Affiche la hauteur/position de l'inclinaison.

INCLINE : appuyez sur ces boutons pour régler l'angle de la pente. Vous devez le faire pendant que vous utilisez le tapis roulant. Si vous appuyez sur le bouton pendant plus de 0,5 seconde, l'inclinaison continuera d'augmenter ou de diminuer.



Appuyez à nouveau sur le bouton **MODE** pour sélectionner 15:00, 1.00, 50.0 et 5 courses : c'est le mode compte à rebours des calories, 0:00 est le mode manuel.



PLAY/PAUSE : pour arrêter ou démarrer la musique ou la vidéo.



Appuyez sur ce bouton pour sélectionner l'un des trois modes de divertissement : mode veille, mode audio et mode vidéo. Lors de la lecture d'une vidéo, appuyez sur ce bouton pour la regarder en plein écran.



Lorsque vous attachez la clé de sécurité à vos vêtements et que vous avez branché l'alimentation, vous pouvez appuyer sur ce bouton pour démarrer le tapis roulant.



Clé de sécurité.



Arrêter l'entraînement



MP3 : Vous pouvez connecter votre téléphone portable ou votre tablette à l'aide d'un câble AUX pour écouter de la musique.



Appuyez sur le bouton et maintenez-le enfoncé pour baisser le volume lorsque vous écoutez de la musique ou regardez une vidéo.



Appuyez sur le bouton et maintenez-le enfoncé pour augmenter le volume lorsque vous écoutez de la musique ou regardez une vidéo.



Appuyez sur le bouton PROG et le tapis roulant affichera ce qui suit : P1-P2.....P24--U1--U3--HP1-HP2--FAT dans l'ordre (P1-P24 sont des programmes prédéfinis, U1-U3 sont des programmes basés sur l'utilisateur, HP1-HP2 est un programme de contrôle de la fréquence cardiaque et FAT est une fonction de test de la graisse corporelle).



SPEED 6, 8, 10 : Indique la vitesse.

Touche de réglage de la vitesse. Lorsque le tapis roulant est utilisé, vous pouvez appuyer sur cette touche pour régler la vitesse. Elle ajoute ou soustrait



0,1 KM chaque fois que vous appuyez sur l'une des touches. Si vous appuyez sur le bouton pendant plus de 0,5 seconde, la vitesse diminuera ou augmentera de façon continue.

FONCTIONS



Pente.

Maintenez le capteur de fréquence cardiaque pendant quelques secondes et votre fréquence cardiaque s'affichera entre 50 et 200/min (les données ne peuvent pas être utilisées à des fins médicales et sont indicatives).



Temps.



Distance.



Calories



Vitesse.



Connexion Bluetooth et application.



Chronomètre.



Distance.



Calories.

PROGRAMMES (FIG.B, 1-3)

Affichage de la page d'accueil (FIG. B-1)

Il y a quatre fonctions sur la page d'accueil : MODE, PROGRAM, MUSIC et VIDEO. Il y a 3 fonctions différentes, MODE CONTEST, MANUEL MODE et UNDER MODE. Il y a également 24 programmes prédéfinis, 3 programmes manuels, 2 programmes HCR (en option) et 1 programme de test FAT.

Démarrage rapide

- Mettez le tapis roulant en marche et fixez la clé de sécurité à votre vêtement.
- Appuyez sur START et le tapis atteindra une vitesse de 0,8 km/h. Après le décompte des bips, le compte à rebours passe de 3 à 1.
- Vous pouvez ensuite régler la vitesse à votre convenance en appuyant sur SPEED.

Description des fonctions

Appuyez sur MODE pour lancer le mode minuterie. Appuyez plusieurs fois sur MODE pour sélectionner les modes "15:00", "1.00", "50.0", "contest mode" et "0.00" (15:00 est un mode temps, 1:00 est un mode distance, 50:0 est un mode calories, 0:00 est un mode manuel). Lorsque vous avez choisi un mode, vous pouvez régler -SPEED+ ou -INCLINE+. Lorsque vous êtes prêt, appuyez sur START et le tapis roulant commencera à fonctionner.



Affiche la durée de l'entraînement de 0:00 à 18:00. Lorsque vous arrivez à 18:00, le compte à rebours recommence à partir de 0, et le tapis roulant continue. En mode "compte à rebours", l'écran affiche 15:00 à 0:00. Lorsque vous arrivez à 0:00, le tapis roulant s'arrête. Le système lui-même vous donne un score et passe en mode veille.



Écran: 0.00-99.9 Lorsque vous arrivez à 99.9, le système recommence à compter à partir de 0.00. En mode compte à rebours, la distance par défaut diminuera de 1,00 à 0,00. Le système vous donnera un score et passera en mode veille.



Écran: 0.-999 Lorsque vous atteignez 999, le système revient à 0. En mode compte à rebours, la calorie par défaut diminuera de 50,0 à 0. Le système vous donnera un score et passera en mode veille.

Mode manuel (FIG. B-2)

Appuyez sur "START" et le tapis roulant fonctionnera à une vitesse de 0,8km/h. Tous les autres écrans comptent à partir de 0. Tous les autres écrans comptent à partir de 0. Appuyez sur "-SPEED+" pour régler la vitesse. Appuyez sur "-INCLINE+" pour régler l'inclinaison.

Il existe 3 programmes utilisateur. Il s'agit de user1, user 2 et user 3.

- Appuyez sur PROG jusqu'à ce que l'utilisateur 1 apparaisse.
- Appuyez sur INCLINE ou SPEED pour régler la durée de l'entraînement.
- Appuyez sur MODE pour obtenir les données de la séance d'entraînement. Appuyez sur INCLINE ou SPEED pour régler la durée de l'entraînement, la vitesse et l'inclinaison pour le premier niveau. Appuyez sur MODE pour régler les données du niveau suivant. Répétez les étapes ci-dessus pour régler les données des 8 autres niveaux. Lorsque vous avez fini de régler toutes les données, tout est sauvegardé jusqu'à ce que vous réinitialisiez le programme. Après avoir réglé les données, vous pouvez appuyer sur START pour commencer votre entraînement.

ITEM	INITIAL	DATA	RANGE	DISPLAY
TIME	0:00	30:00	5:00 - 99:00	0:00 - 99:59
INCLINE	0	0	0 - 15	0 - 15
SPEED	0.0	0.8	0.8 - 20	0.8 - 20
DISTANCE	0.00	1.00	0.50 - 99.00	0.00 - 99.99
HEART	P	N/A	N/A	50 - 200
CALORIE	0	50.0	10.0 - 999	0.0 - 999

Mode compte à rebours

- Mode compte à rebours : appuyez sur MODE pour lancer le mode compte à rebours. Le temps 15 par défaut commence à s'afficher à l'écran. Appuyez sur "-INCLINE+" ou "-SPEED+" pour modifier le temps de 5:00 à 99:00.
- Mode compte à rebours de la distance : Appuyez sur "MODE" pour démarrer le mode compte à rebours de la distance. La distance par défaut commencera à "1,00" qui est affiché à l'écran. Appuyez sur "-INCLINE+" ou "-SPEED+" pour modifier la distance de 0,5 à 99,9.
- Mode compte à rebours des calories : Appuyez sur "MODE" pour démarrer le mode compte à rebours des calories. Le compte à rebours des calories par défaut commencera à "50,0", qui s'affiche à l'écran. Appuyez sur "-INCLINE+" ou "-SPEED+" pour modifier la distance de 10,0 à 999,0.
- Une fois votre entraînement terminé, l'écran affiche immédiatement vos données de course.

Mode match

Appuyez longuement sur MODE pour lancer le mode match. Il existe 6 modes de course. Ils sont de 3,0 km, 5,0 km, 10,0 km, 5,0 km, 21,1 km et 42,19 km.



C = COMPUTER. L'écran affiche le pourcentage de distance de la machine. La vitesse par défaut de la machine est de 9km/h. Vous pouvez ajuster la vitesse de la machine en modifiant le temps de course.



U = USER. L'écran affiche le pourcentage de distance de l'utilisateur.

DISTANCE DE LA COURSE	TEMPS AUTOMATIQUE
3 km	18:00 minutes
5 km	30:00 minutes
10 km	01:00:00 minutes
15 km	01:30:00 minutes
21,10 km	02:06:35 minutes
42,19 km	04:13:10 minutes

Appuyez sur MODE, sélectionnez votre distance de course préférée et appuyez sur "-INCLINE+" ou "-SPEED+" pour modifier le temps de course. Appuyez sur START pour démarrer.

Programme prédéfini

Appuyez sur PROG pour démarrer le programme. Appuyez sur "PROG" pour sélectionner l'un des programmes suivants : Programme1-24, U1-U2-U3, HP1-HP2, FAT dans l'ordre. Il existe 30 différents programmes prédéfinis. FAT est un programme de test des graisses.



Durée du programme : la durée automatique est de 10 minutes. Appuyez sur "-INCLINE+" ou "-SPEED+" pour modifier le temps de 5 à 99.



Programme principal : chaque programme est divisé en 10 niveaux.

- Appuyez sur PROG, l'écran affiche alors "Programme 1-24".
- Sélectionnez votre programme préféré. L'heure par défaut est 10:00. Appuyez sur "-INCLINE+" ou "-SPEED+" pour modifier l'heure.
- Appuyez sur START pour commencer votre exercice. Appuyez sur "-INCLINE+" ou "-SPEED+" pour modifier la vitesse ou l'inclinaison pendant l'exercice à chaque niveau.
- Lorsque vous avez terminé le niveau précédent, le système passe au niveau suivant où la vitesse et l'inclinaison sont adaptées à votre niveau.
- Après avoir terminé chaque programme, le système vous attribue un score.
- Présentation du programme. Chaque programme est divisé en 10 niveaux et chaque niveau a sa propre vitesse et sa propre inclinaison.

Programme HRC

Appuyez sur le bouton MODE jusqu'à ce que "Programme cardiaque1" ou "Programme cardiaque2" apparaisse.

- Chaque programme HRC est divisé en 10 niveaux.
- En mode veille, appuyez sur PROG jusqu'à ce que "Programme cardiaque 1" ou "Programme cardiaque 2" apparaisse. La vitesse maximale de ce programme est de 10,0km/h. Remarque : Lorsque vous appuyez sur "start" en mode HRC, le système demande une vérification de la fréquence cardiaque. Paramètre pour le propriétaire, si l'âge est de 30 ans, la fréquence cardiaque cible doit être de 114. Paramètre pour l'utilisateur, à l'âge de 30 ans, la fréquence cardiaque cible est de 114.
- Appuyez sur MODE pour modifier l'âge en appuyant sur "-INCLINE+" ou "-SPEED+". L'âge peut être réglé entre 15 et 80 ans.
- Après avoir réglé votre âge, appuyez sur "MODE", le système vous proposera un objectif approprié qui s'affichera à l'écran.

Vous pouvez également appuyer sur "-INCLINE+" ou "-SPEED+" pour définir une fréquence cardiaque attendue en fonction de votre condition physique, de 84 à 133.

- Lorsque vous avez défini votre âge et vos options cardiaques, appuyez sur "MODE" pour commencer le réglage de l'heure. L'écran affiche "TIME" lorsque vous appuyez sur il affichera 10:00, appuyez sur "-INCLINE+" ou "-SPEED+" pour ajuster le temps de 10:00 à 99:00.
- Lorsque vous avez terminé tous les réglages, vous pouvez appuyer sur START pour démarrer.
- Lorsque vous appuyez sur "-INCLINE+" ou "-SPEED+" pour régler l'inclinaison ou la vitesse, le système ajuste lui-même la vitesse et l'inclinaison aux réglages adaptés à votre condition physique.
- La première minute du programme HRC est consacrée à l'échauffement, vous pouvez régler la vitesse et l'inclinaison manuellement. Le système accélère de 0,5 km à la fois, ce qui est automatique après la première minute en fonction de votre fréquence cardiaque. Lorsque la vitesse actuelle est supérieure à 10 km/h en HP1 ou à 12 km/h en HP2 et que votre fréquence cardiaque actuelle est inférieure à votre objectif de fréquence cardiaque, le système ajuste automatiquement l'inclinaison jusqu'à ce que votre fréquence cardiaque atteigne votre objectif de fréquence cardiaque. Si la fréquence cardiaque ne se maintient pas au-delà de 30 secondes, le système réduit la vitesse de 0,5 km/h et l'inclinaison d'une section toutes les 10 secondes jusqu'à ce que le point le plus bas soit atteint.

REMARQUE!

- **En mode HP1 ou HP2, appuyez directement sur START et le tapis de course traitera automatiquement les données.**
- **Le programme de surveillance de la fréquence cardiaque n'est disponible que lorsque la ceinture thoracique a été utilisée et qu'elle est près de la poitrine et de la peau.**

Zones générales de fréquence cardiaque (FIG. B-3)

Pour les entraînements intensifs, demandez conseil à votre médecin.


- Pour les entraînements intensifs, demandez conseil à votre médecin.
- Zone de fréquence cardiaque saine : 50%-60% de la fréquence cardiaque maximale. Elle convient à la plupart des débutants. Elle est bonne pour la perte de poids, la baisse de la tension artérielle et du cholestérol.
- Zone de température : 60%-70% de la fréquence cardiaque maximale. Elle est bonne pour la perte de poids et pour brûler plus de calories.
- Zone aérobie : 70%-80% de la fréquence cardiaque maximale. Elle est bonne pour le cœur et les poumons.
- Zone de seuil anaérobie : 80%-90% de la fréquence cardiaque maximale. C'est un entraînement très intense qui convient aux entraîneurs avancés.

- Zone de la ligne rouge : 90%-100% de la fréquence cardiaque maximale. Il s'agit d'un entraînement limité pour les utilisateurs. Veuillez ne pas l'utiliser trop longtemps, car cela pourrait nuire à votre santé.

Test de graisse corporelle

- Appuyez sur PROG pour lancer le mode FAT. Entrez votre sexe, votre âge, votre taille et votre poids. Une fois que vous l'avez fait, maintenez le capteur au poignet pendant plus de 8 secondes. Vous verrez ensuite les résultats s'afficher à l'écran.
- Un indice de masse corporelle (IMC) compris entre 20 et 25 est idéal. Lorsque l'IMC est inférieur à 19, cela signifie que vous êtes en sous-poids. Lorsque l'IMC est compris entre 26 et 29, cela signifie que vous êtes en sous-poids. IMC est compris entre 26 et 29, cela signifie que vous êtes en léger surpoids. Lorsque l'IMC est supérieur ou égal à 30, cela signifie que vous êtes en surpoids. Ces données sont fournies à titre indicatif et ne doivent pas être utilisées à des fins médicales.

Média

Appuyez sur cette touche  pour changer de mode ou de musique et de vidéo. Lorsque l'option vidéo est sélectionnée et qu'une vidéo est en cours de lecture, appuyez sur cette touche pour afficher la vidéo sur l'ensemble de l'écran.

Mode d'économie d'énergie

Si le tapis roulant n'est pas utilisé pendant 10 minutes, il passe en mode d'économie d'énergie. Vous pouvez quitter ce mode en appuyant sur n'importe quel bouton.

Mise hors tension

Pour prolonger la durabilité du tapis roulant, appuyez d'abord sur le bouton STOP. Appuyez ensuite sur l'interrupteur pour l'éteindre. Retirez ensuite la fiche et enfin la clé de sécurité. Si vous retirez immédiatement la clé de sécurité, l'appareil sera inutilement sous tension.

DIRECTIVES DE FORMATION (FIG. C, 1-5)

Un programme d'entraînement réussi comprend un échauffement, l'entraînement proprement dit et un retour au calme. Effectuez le programme d'entraînement complet au moins deux, mais de

préférence trois fois par semaine et gardez un jour de repos entre les séances d'entraînement. Après quelques mois, l'intensité de l'entraînement peut être augmentée, par exemple à quatre ou cinq fois par semaine.

L'échauffement

L'objectif d'un échauffement est de préparer le corps à l'entraînement et de réduire le risque de blessure. Réchauffez votre corps pendant deux à cinq minutes avant de commencer un entraînement cardio ou musculaire. Faites des exercices qui augmentent le rythme cardiaque et échauffent les muscles qui travaillent. Exemples de ce type

d'activités: course, jogging, jumping jacks, saut à la corde et course sur place.

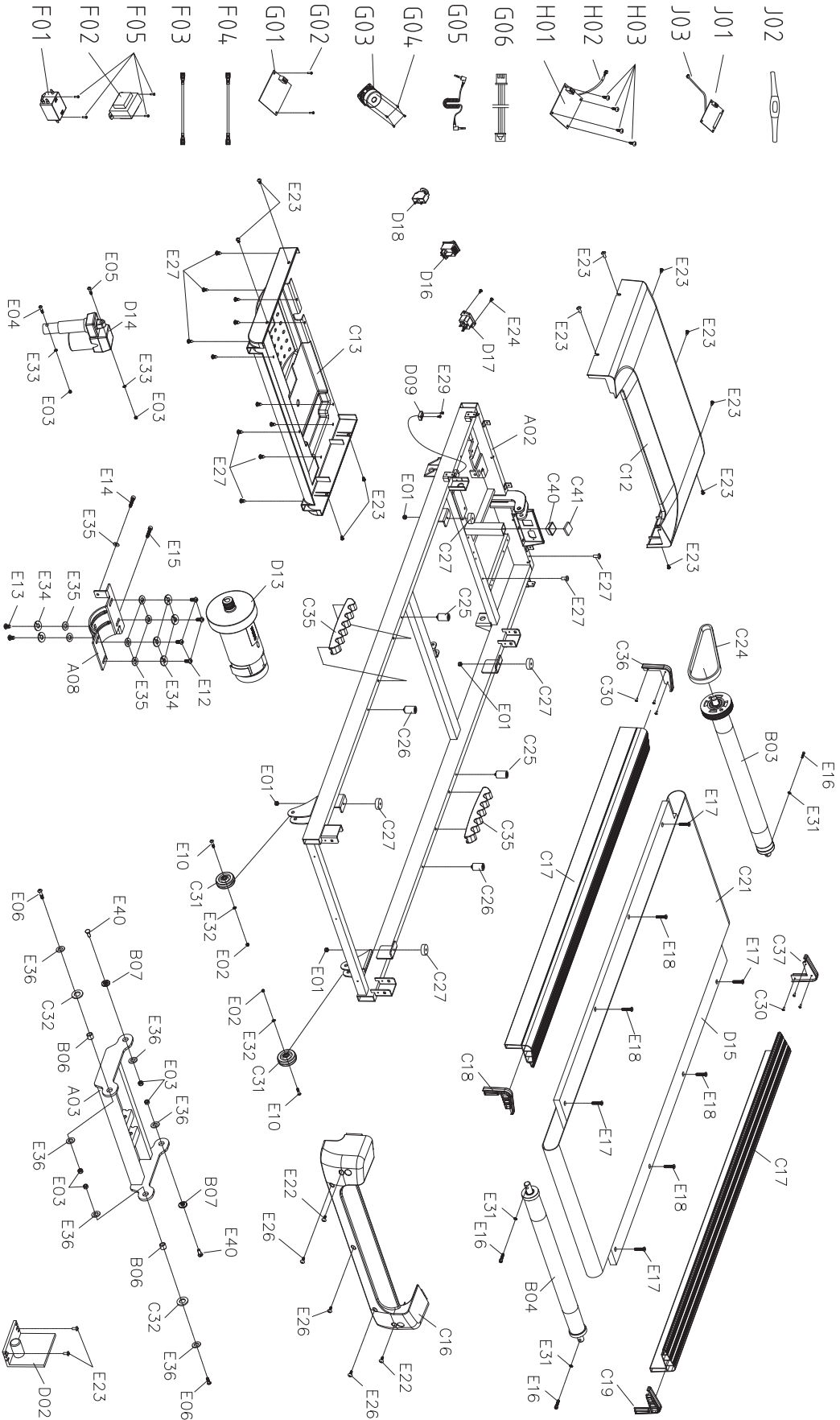
Étirements












Les étirements pendant que les muscles sont chauds sont très importants après un bon échauffement et un bon retour au calme. Il réduit les risques de blessures. Les exercices d'étirement doivent être maintenus pendant 15 à 30 secondes. Voici quelques exemples d'exercices d'étirement:

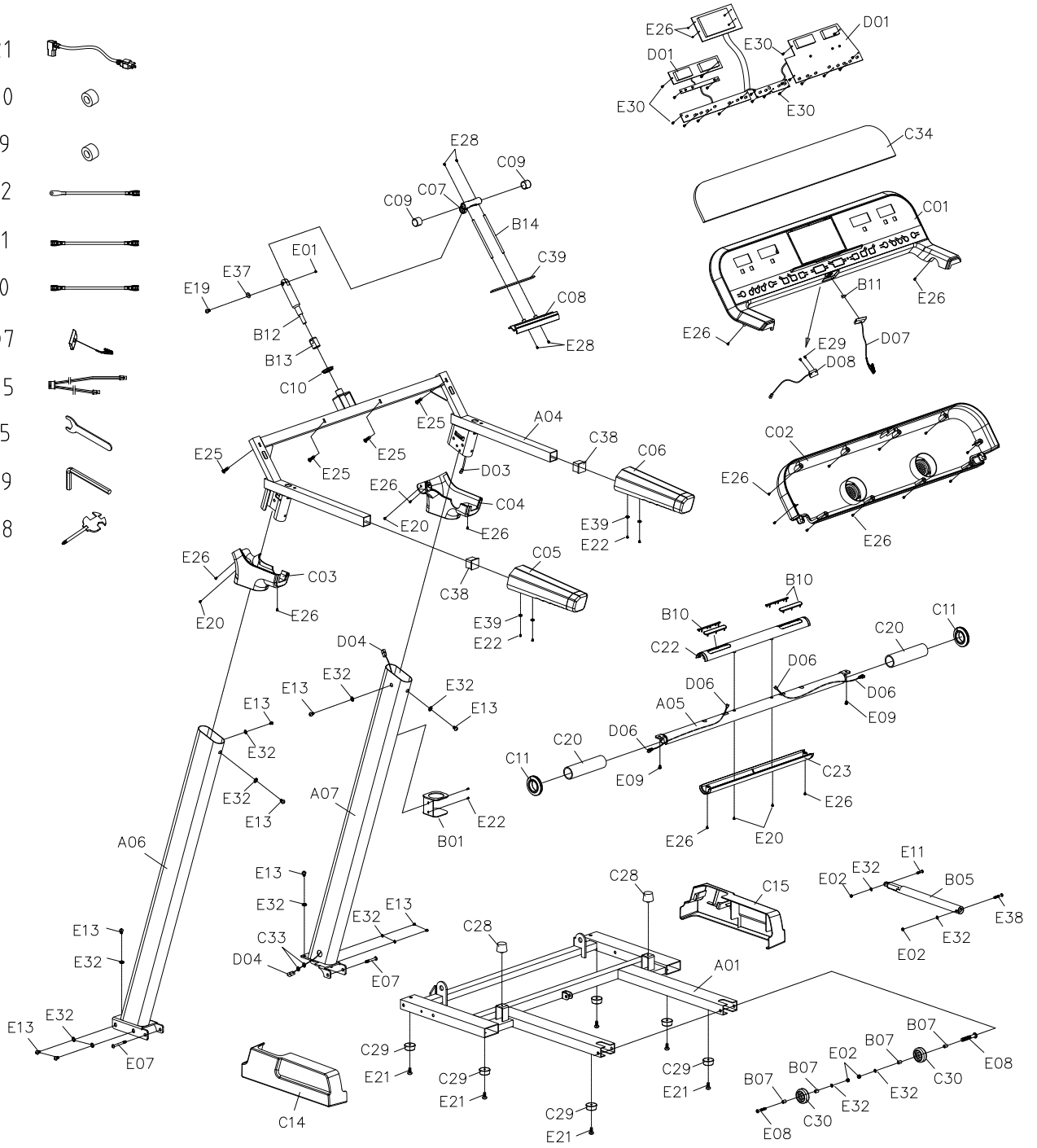
- Toe touch (Fig. C-1)
- Inner thigh stretch (Fig. C-2)
- Hamstring stretch (Fig. C-3)
- Achilles stretch (Fig. C-4)
- Side stretch (Fig. C-5)

Retour au calme

Le but du refroidissement est de ramener le corps à sa position de repos (presque) normale à la fin de l'entraînement. Un bon retour au calme réduit lentement votre rythme cardiaque et favorise la récupération.



- D21 
- D20 
- D19 
- D12 
- D11 
- D10 
- D07 
- D05 
- B15 
- B09 
- B08 



#	DESCRIPTION	QTY.
A01	Bottom frame	1
A02	Main frame	1
A03	Incline frame	1
A04	Monitor frame	1
A05	Handlebar pulse frame	1
A06	Left column	1
A07	Right column	1
A08	Motor seat	1
B01	Bottle holder	1
B03	Front roller	1
B04	Rear roller	1
B05	Air cylinder	1
B06	Sleeve	2
B07	Sleeve transportation wheel	2
B08	Cross solid wrench	1
B09	Inner hex wrench	1
B10	Handle pulse sheet	4
B11	Safety key seat	1
B12	iPad shaft	1
B13	Stop nut	1
B14	iPad connect pole	2
B15	Solid wrench	1
C01	Monitor top cover	1
C02	Monitor bottom cover	1
C03	Monitor left-bottom cover	1
C04	Monitor right-bottom cover	1
C05	Left foam handlebar	1
C06	Right foam handlebar	1
C07	iPad rotation component	1
C08	iPad holder	1
C09	End cover	2
C10	iPad O ring	1
C11	O ring	2
C12	Motor top cover - ST4.2*13	1
C13	Motor bottom cover	1
C14	Left bottom cover	1
C15	Right bottom cover - ST4.2*20	1
C16	Rear protection cover	1

#	DESCRIPTION	QTY.
C17	Side rail	2
C18	Left side rail cap	2
C19	Right side rail cap	2
C20	Foam	2
C21	Running belt	1
C22	Top cover of the pulse	1
C23	Bottom cover of the pulse	1
C24	Motor belt	1
C25	Black cushion - 220*6.5*30	2
C26	Blue cushion - 220*6.5*30	2
C27	Black cushion	2
C28	Cone-shaped cushion	2
C29	Flat foot pad	6
C30	Transportation wheel	2
C31	Adjustable wheel	2
C32	Plastic washer	4
C33	O ring	2
C34	Acrylic panel	1
C35	Cushion	2
C36	Left anterior side rail cap	1
C37	Right anterior side rail cap	1
C38	End cap	2
C39	EVA pad	1
C40	Square end cap	1
C41	EVA cushion	1
D01	Monitor	1
D02	Lower control board	1
D03	Upper wire of the monitor	1
D04	Lower wire of the monitor	1
D05	Handle pulse upper wire	1
D06	Lower wire of the handle pulse	2
D07	Safety key module	1
D08	Safety key rope	1
D09	Magnetic sensor	1
D10	AC single wire - 350mm	2
D11	AC single wire - 350mm	3
D12	Earth wire	1
D13	DC motor	1

#	DESCRIPTION	QTY.
D14	Incline motor	1
D15	Running board	1
D16	Square switch	1
D17	Socket	1
D18	Over load protector	1
D19	Magnet ring	1
D20	Magnet core	1
D21	Power cable	1
E01	Non-locket nut - M6	5
E02	Lock nut - M6	6
E03	Lock nut - M10	6
E04	Bolt - M10*90	1
E05	Bolt - M10*45	1
E06	Bolt - M10*30	2
E07	Bolt - M8*80	2
E08	Bolt - M8*70	2
E09	Bolt - M8*40	2
E10	Bolt - M8*40	2
E11	Bolt - M8*30	1
E12	Bolt - M8*20	4
E13	Bolt - M8*15	12
E14	Bolt - M8*40	1
E15	Bolt - M8*35	1
E16	Bolt - M6*55	3
E17	Bolt - M6*40	4
E18	Bolt - M6*25	4
E19	Bolt - M6*20	1
E20	Screw - ST4.2*15	4
E21	Bolt - M5*16	6
E22	Bolt - M5*12	8
E23	Bolt - M5*8	13
E24	Screw - ST2.9*30	2
E25	Screw - ST4.2*30	4
E26	Screw - ST4.2*12	25
E27	Screw - ST4.2*12	14
E28	Bolt - M3*10	4
E29	Screw - ST2.9*8	4
E30	Screw - ST2.9*6	29

#	DESCRIPTION	QTY.
E31	Lock washer - 6	3
E32	Lock washer - 8	16
E33	Lock washer - 10	2
E34	Spring washer - 8	6
E35	Lock washer - 8	7
E36	Lock washer - 10*126*2.0	6
E37	Wave washer - 14*18.2*0.5	1
E38	Bolt - M8*45	1
E39	Big flat washer	4
E40	Semi-round square neck bolt	2
F01	Filter (optional)	1
F02	Inductance (optional)	1
F03	AC Single wire L500 (optional)	1
F04	Grounding wire L350 (optional)	1
F05	Screw - ST4.2*12 (optional)	4
G01	USB mould	1
G02	Screw - ST2.9*8	2
G03	Spreaker	2
G04	Screw	8
G05	MP3 connection wire	1
G06	USB connection wire	1
H01	Bluetooth mould (optional)	1
H02	Bluetooth connection wire (optional)	1
H03	Screw - ST2.9*6.0 (optional)	4
J01	Polar emitter (optional)	1
J02	Heart rate receiver (optional)	1
J03	HRC connection wire (optional)	1

virtufit

VIRTUFIT

Twekkelerweg 263
7553 LZ Hengelo
The Netherlands
info@virtufit.nl

VIRTUFIT SERVICE

Do you have a problem with your VirtuFit fitness equipment and would you like to submit a service request? Then scan the QR code on the right and fill in our service form.

