

I'M IMPORTANT  
SAVE ME

# GARANTIE & INFORMATIE

Model: Windgoo B20  
Productnr: WG B20-75  
EAN: 8720299983908



Distributeur Pirox International BV | Blaak 6 – 3011TA Rotterdam | +31 (0)10-2229600

Bij vragen, klachten of problemen met uw WINDGOO e-step of e-bike, neem contact op met ons Service Centre:



U kunt uw klacht / probleem ook mailen naar [service@windgoo.nl](mailto:service@windgoo.nl), vermeld daarin de volgende gegevens:

- Uw naam en volledige adresgegevens
- Windgoo model
- Windgoo serienummer
- Aankoopdatum
- Winkel / onlineshop
- Beschrijf het probleem dat u ervaart

Stuur ook een kopie van uw aankoopbewijs als bijlage mee.

winegoo

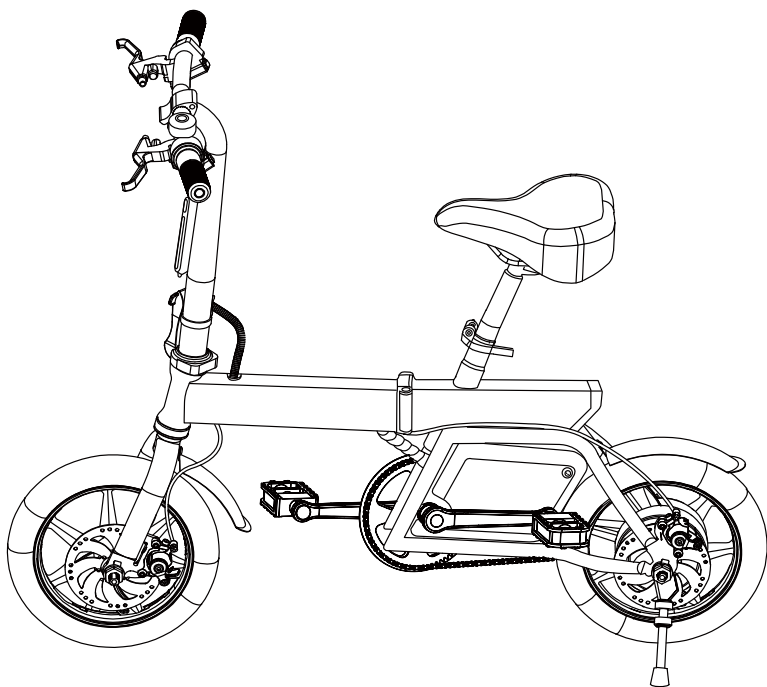


**Service Centre Windgoo**  
Contact: [service@windgoo.nl](mailto:service@windgoo.nl)  
[www.windgoo.nl](http://www.windgoo.nl)

Distributeur Pirox International BV  
Blaak 6 – 3011TA Rotterdam  
+31 (0)10-2229600

windgoo

# USER MANUAL



B20

Please carefully and completely read the user manual before use it

## Content

Introduction	2
Guidance	3
Function diagram	3
Battery Usage	4
Charging Caution	4
Accessories	5
Function	5
Specification	6
Cleaning	6
Riding Guidance	7
Maintenance	7

## Guidance

Before using this electric bike, familiarize yourself with how to operate, so that you can keep the bike in the best condition possible.

This User Manual can help you learn how to drive this electric device in secure. This User Manual includes all the instructions and notes; please read it carefully and follow these instructions. If you fail to follow the instructions or violate the warnings, our company won't be held responsible for any ensuing consequence. Don't use the electric bike before read the instruction and know the product performance. Don't lend it to someone else who is unfamiliar with the product.

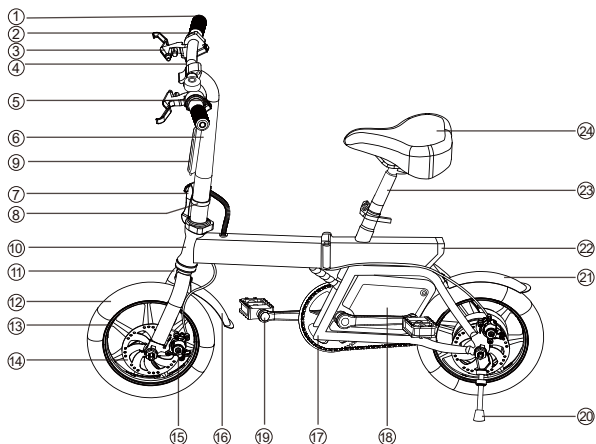
The B20 models released around 2022 differ in the construction of the handlebars.

The specific differences are:

With and without throttle; with/without Bluetooth connectivity app function; display appearance; on/off button; cruise function and light button.

Please refer to the model you have purchased for details on how to use.

## Function Diagram



- |                           |                    |                 |
|---------------------------|--------------------|-----------------|
| 1. Handlebar              | 9. Front light     | 17. Frame       |
| 2. Dash board             | 10. Head tube      | 18. Battery box |
| 3. Brake handle           | 11. The front fork | 19. Pedal       |
| 4. Handle bar             | 12. Tyre           | 20. Kickstand   |
| 5. Power button           | 13. Wheel hub      | 21. Back fender |
| 6. Standpipe              | 14. Brake disc     | 22. Tail light  |
| 7. Vertical folding clasp | 15. Disc brake     | 23. Seat tube   |
| 8. Safety buckle          | 16. Front fender   | 24. Seat        |

## Battery usage

Like all rechargeable batteries, lithium batteries are recyclable and should be recycled or disposed according to State and local guidelines. They should never be disposed in normal household waste, and never be incinerated, as they might explode. Contact your local authorities for disposal or recycling practices in your area.

**NEVER CHARGE THE BATTERY OVER NIGHT AND NEVER LEAVE IT UNATTENDED FOR A LONG PERIOD OF TIME WHILE IN CHARGE.**

This product meets and complies with all Federal regulations.

Please keep the charging temperature between 5°C -45°C, and ride temperature between -20°C to 60°C, and always keep the battery dry. Prohibit to put the battery into acid or alkalinity liquid. Keep away from rain and fire and heat.

**Warning:** Non-professionals are not allowed to intervene on the battery.

## Charging cautions

Don't charge it over 6 hours and charge beyond 2A electric current.

When not using for a long time, please keep the battery in a dry and cool place. Please charge it every two month. Follow the instruction or the user manual will be responsible for the consequence.

When charging, please keep the vehicle in ventilation environment, and don't exposed to sun directly or enclosed space.

When charging, please connect the battery first, then plug into the power. When the indicator shows the battery is full, please unplug it immediately.

When the indicator turns green, turn off the power, don't connect the battery when not charging.

## Adaptor

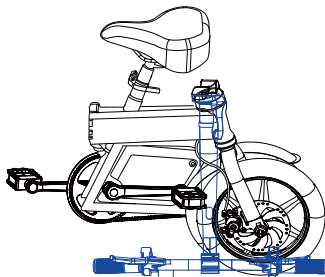
When charging, if the indicating light goes wrong or some strange smell came up or the adaptor is overheated, please stop charging immediately, then check and repair or replace the adaptor.

If something dropped into the adaptor, especially the water or other liquid, please don't use the adaptor to protect the main circuit from short circuit. Don't connect the adaptor into the power if don't charge. Do not disassemble or replace the component.

## Product accessories



## Folding



## Function Introduction:

1. Charging: connect the charger to charge, with AC plug first and DC plug next. When the power bar on bike handle shows full and the charger indicator turns green from red, it indicates full power.
  2. Switch on /off: Press and hold the button on the left handle for 3 seconds to switch on. The dash board lights up after booting. Short press for 1 second to switch off. The dash board light will be off after turning off the power.
  3. After booting, the dash board lights up and indicate the amount of electricity,
  4. Front light and rear light: press the button on the right handle 3 seconds then release, turn up the lights. Press the button on the right handle 1 seconds to turn off the light.
  5. Brake light: Back light lights up when braking. It could not accelerate before the brake is fully loosened.
  6. With throttle: Please speed up slowly, don't force the rotating bar hard or it will be broken.
- Without throttle: Riding activates electric pedal assist mode. Riding speed gears can be adjusted via APP.
7. The bike has electric pedal assist mode.
- Riding activates electric pedal assist mode. Riding speed gears can be adjusted via APP.
- Without power, the bike will work with pedal at chains driving mode.

## Specification

	Parameters	Standard Data
Size	Material	Iron
	Folding Size	680*370*550mm
	Unfolding Size	1200*510*950mm
	Pedal Height	300mm
	Wheel Size	14 inches
	Body Color	Black
	Weight	24.93KG
	Performance	Max Load
Speed		25km/h
Range		40-45KM
Temperature		-10°~60°
Waterproof		IPX4
Battery		7.5Ah
Standards	APP	√
	Rated Power	250W
	Charger voltage	42V
	Charger time	4-5 hours
	Brake Mode	Front and rear disc-brake

### Note:

Some older versions of the 6.0Ah B20 model have a throttle and no APP.

Please refer to the product information at the time of purchase for specific features.

## Cleaning the electric bike

Wipe with a damp cloth to remove dirt and dust. Do not use industrial cleaners or solvents as they may damage the surfaces. Do not use alcohol, alcohol-based or ammonia-based cleaners as they may damage or dissolve the components.

-When you are cleaning the bike, make sure the bike is switched off, is not connected with the charging cable, and the charging port is covered with rubber cap, to avoid serious damage caused to the bike by water getting inside.

-Keep the bike in a dry and cool place and avoid long time outdoor storage when the bike is not used. Long-time exposure to outdoor sun, excessive heat, and excessive cold will speed up the aging of the bike outer in case and reduce the lifespan of the battery.

## Riding Guidance

Please check the brake before riding and brake the rear wheel first. Be careful of the tightness of brake. Use the hexagon bar wrench to adjust if it's loose.

Keep a longer braking distance for safety.

Please wear a helmet and comply with the traffic regulation and don't ride it in the driveway. Don't ride it in crowded road.

When go downhill or on the slippery road, the speed should be under 15km/h.

Do not over loading beyond 120KG.

## Maintenance

The front and back wheel should be at center of the frame. Put the electric bike at cool and dry place after riding and check the motor and brake often, tighten the screw if needed.

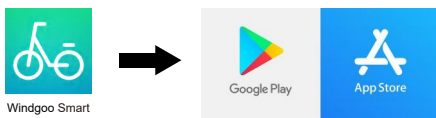
Suggested torsion(unit,kgf.cm): Bar screws 60-80 kgf.cm, bar stand screws 175-200 kgf.cm, seat screws 175-250 kgf.cm, wheel screws 320-450kgf.cm

Check if the wheel has scratches and damages or excessive wear frequently, if the inner wheel and the gas nozzle need be vertical to the hub, outer wheel should be replace immediately with damage or scratches. Please contact the professional technician to replace it. When the outer tire is pierced and leaks air, please contact professional technician for repair or replace.

## Quick Setup

Control your Windgoo B20 Ebike and interact with us in Windgoo Smart APP.

1. Download "Windgoo Smart" App



2. Add a device

Open "Add Devices" to connect your B20.

Reminder: 1 device can only connect to 1 cellphone, remember to disconnect the device when switching to another phone.



## Recycling:

This product's packaging materials are recyclable and can be reused. This product and the accessories packed together are the applicable product to the WEEE directive except batteries. Please dispose of any materials in accordance with your local recycling regulations. When discarding the unit, comply with your local rules or regulations. Batteries should never be thrown away or incinerated but disposed of in accordance with your local regulations concerning chemical wastes.



## Law and Safety:

The CE mark indicates that this product has been manufactured according to current regulations for electromagnetic fields, which means that it is safe to use if used according to safety instructions. The product is manufactured according to current regulations within the EU legislation, limiting the use of hazardous substances in electrical and electronic equipment.



## We:

Company name: WINDGOO Technology S.L

Postal address: Avenue of Castell de Barbera, number 21-27. Nave2. Industrial polygon Santiga.Spain

E-mail address: contact@windgoo.co

Declare that the DoC is issued under our sole responsibility and belongs to the following product:

Product name: Electric scooter

Model: B20

The object of the declaration described above is in conformity with the the essential requirements of Machinery Directive 2006/42/EC

The following harmonized standards and technical specifications have been applied:

EN 60335-1:2012+A11:2014+A13:2017

EN ISO 12100: 2010

2006/42/EC Annex I

Signature:

Full name: Alina Su

Position: TQE Manager

Company: Windgoo

Date: 27th April 2021