

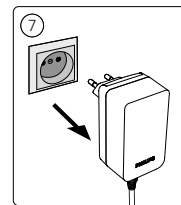
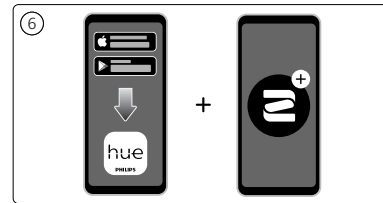
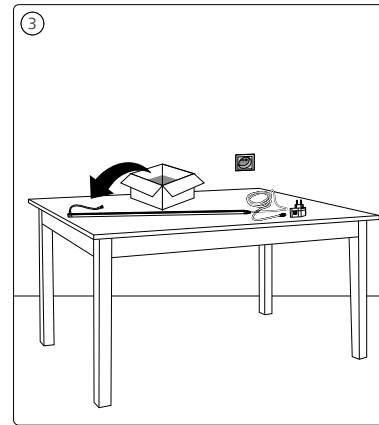
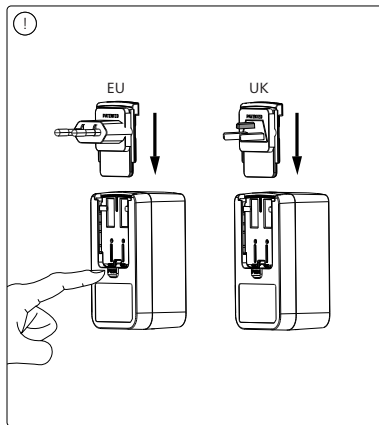
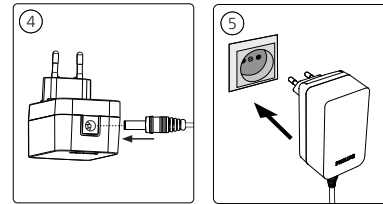
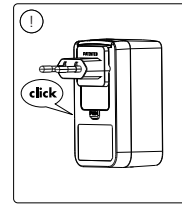
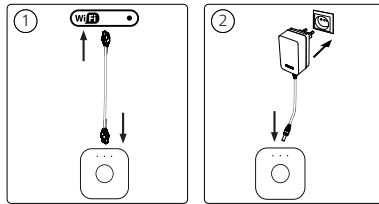
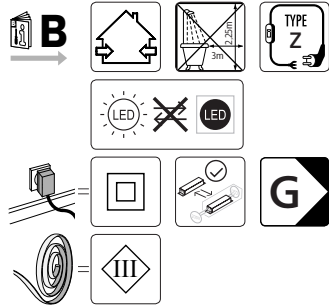
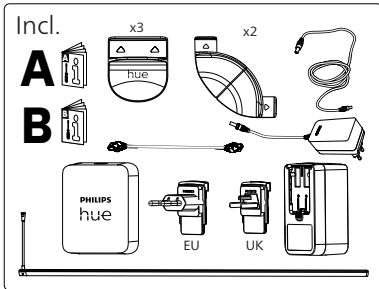
PHILIPS

hue personal wireless lighting

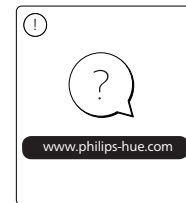
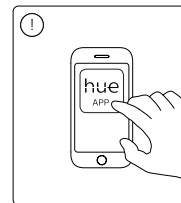
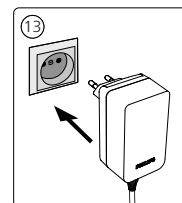
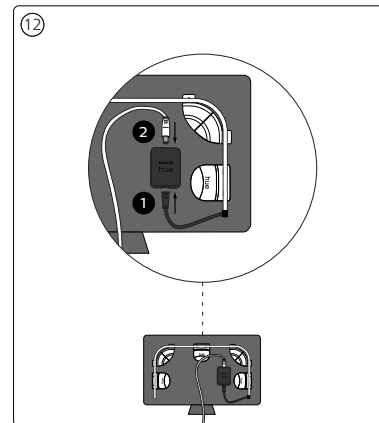
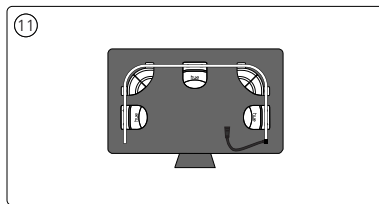
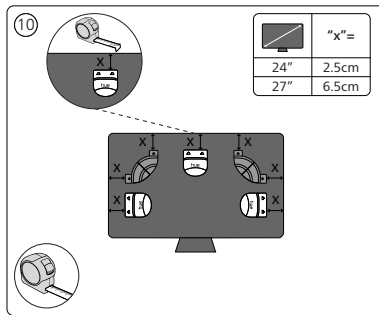
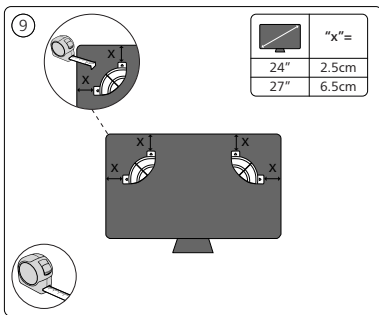
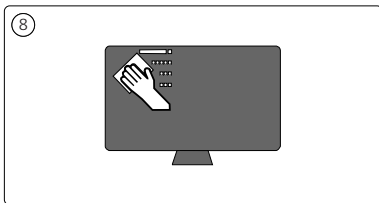
Lightstrip 24" / 27" monitor



HUE serial number



User manual
Benutzerhandbuch
Notice d'emploi
Manual de usuario
Manual do usuário
Manuale d'uso



Signify
I.B.R.S. / C.C.R.I. Numéro 10461
5600 VB Eindhoven,
the Netherlands
000800-74454775

www.philips-hue.com

3222 639 10192
Last update: 04/2022

© 2022 Signify Holding
All rights reserved