

# BALKONBAR

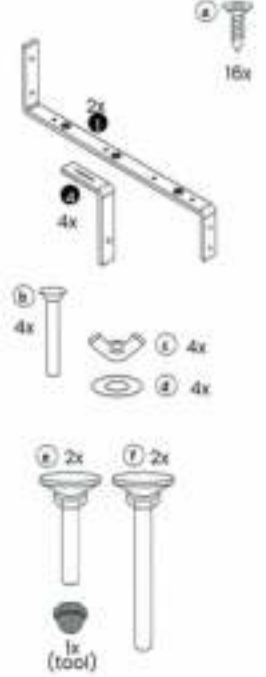
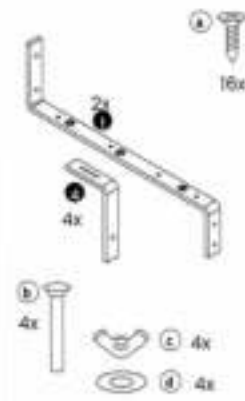
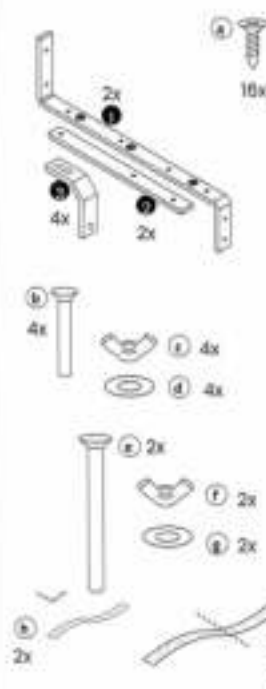
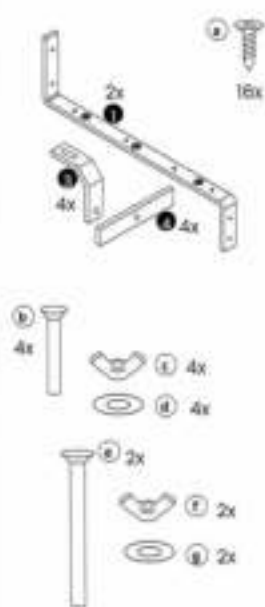
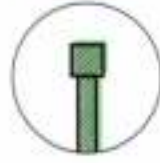
RECTANGULAR

ROUND  
(WITH BARS)

ROUND  
(WITHOUT BARS)

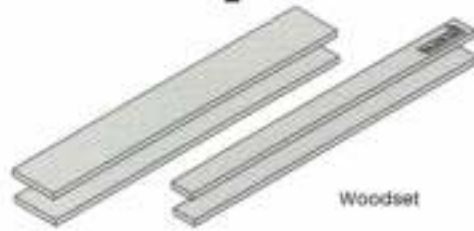
WALL

GLASS



4

+

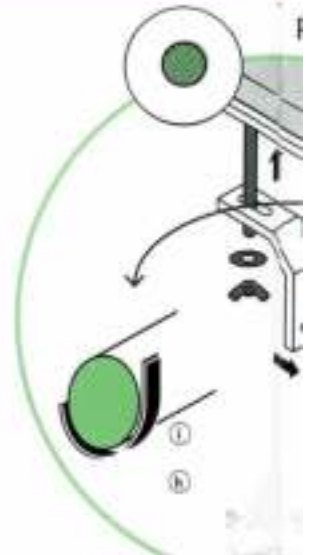
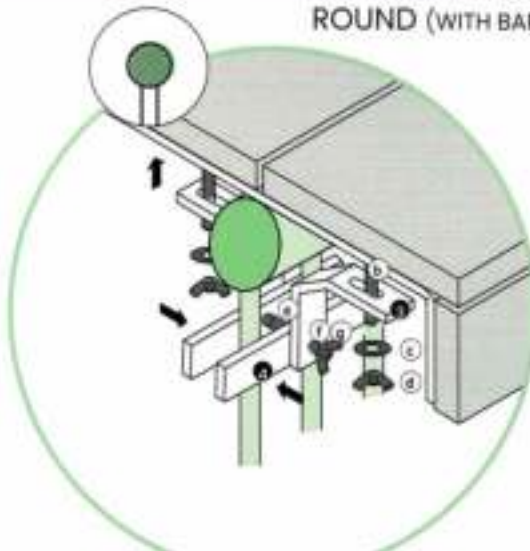
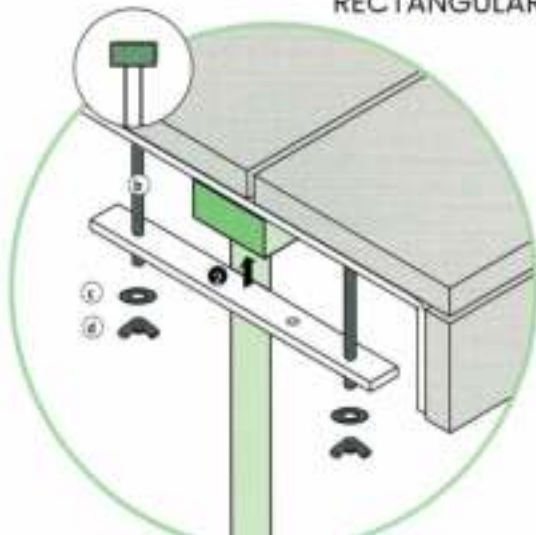


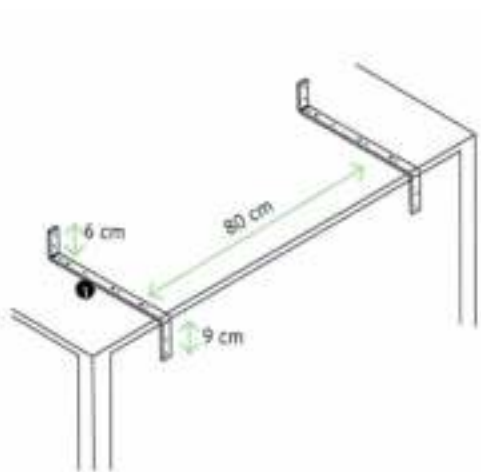
TOOLS NEEDED



RECTANGULAR

ROUND (WITH BARS)





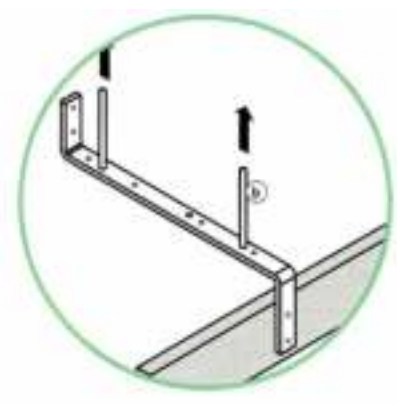
Use a table to position the brackets

**1**



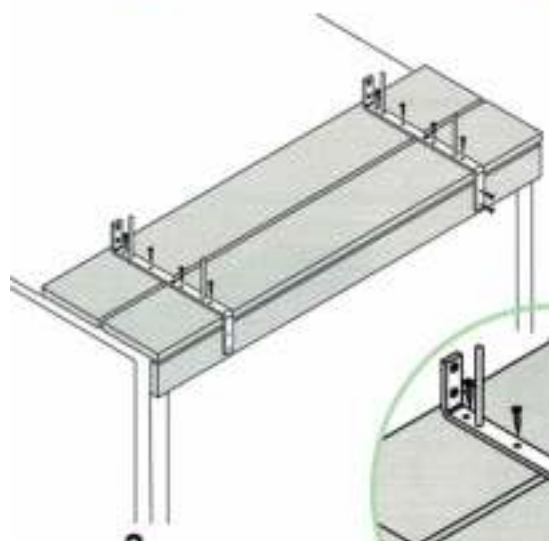
Mount the small plank (without the logo)

**2**



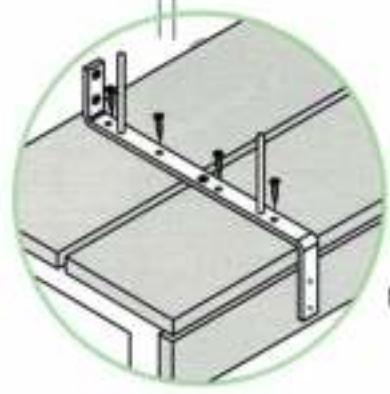
Lift the bracket and place the screws

**3**



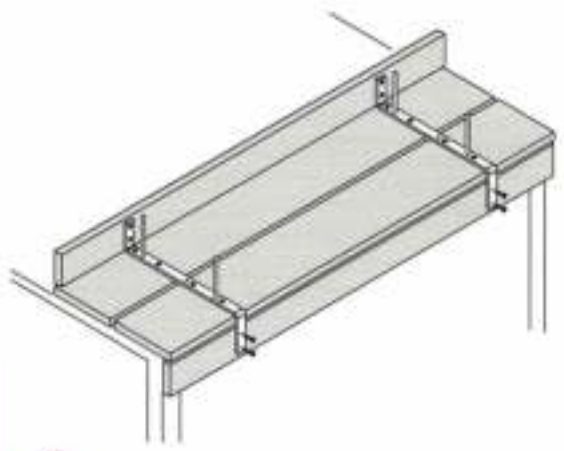
Mount the two broad planks

**3**



Mount the small plank (with the logo)

**4**

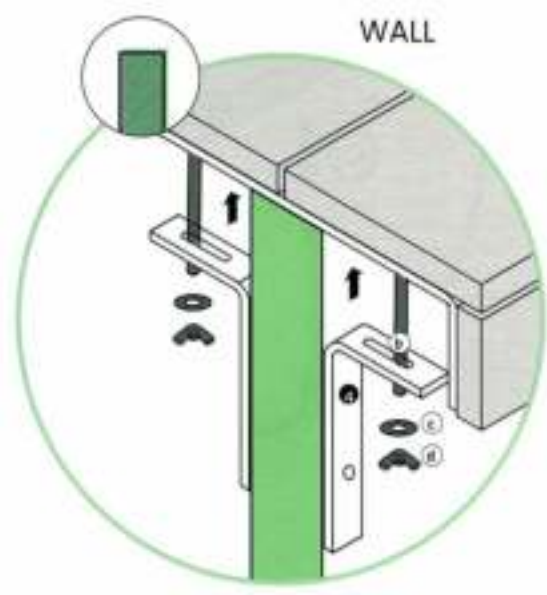


**5**

ROUND (WITHOUT BARS)



WALL



GLASS

