

WINE COOLER DUAL ZONE



Item: 237588
237557
237564
237595

You should read this user manual carefully before using the appliance.

Bevor Sie das Gerät in Betrieb nehmen, sollten Sie diese Gebrauchsanweisung aufmerksam lesen.

Alvorens de apparatuur in gebruik te nemen dient u deze gebruiksaanwijzing aandachtig te lezen.

Przed uruchomieniem urządzenia należy koniecznie dokładnie przeczytać niniejszą instrukcję obsługi.

Lisez attentivement ce mode d'emploi avant d'utiliser l'appareil .

Prima di utilizzare l'apparecchio in funzione leggere attentamente le istruzioni per l'uso.

Citiți cu atenție prezentul manual de utilizare înainte de folosirea aparatului.

Внимательно прочитайте руководство пользователя перед использованием прибора.

Πρέπει να διαβάσετε αυτές τις οδηγίες χρήσης προσεκτικά πριν χρησιμοποιήσετε τη συσκευή.



Keep these instructions with the appliance.
Diese Gebrauchsanweisung bitte beim Gerät aufbewahren.
Bewaar deze handleiding bij het apparaat.
Zachowaj instrukcję urządzenia
Gardez ces instructions avec cet appareil.
Conservate le istruzioni insieme all'apparecchio.
Păstrați manualul de utilizare alături de aparat.
Хранить руководство вместе с устройством.
Φυλάξτε αυτές τις οδηγίες μαζί με τη συσκευή.




For indoor use only.
Nur zur Verwendung im Innenbereich.
Alleen voor gebruik binnenshuis.
Do użytku wewnątrz pomieszczeń.
Pour l'usage à l'intérieur seulement.
Destinato solo all'uso domestico.
Doar pentru uz la interior.
Использовать только в помещениях.
Για χρήση μόνο σε εσωτερικό χώρο.



Dear Customer,

Thank you for purchasing this Arctic appliance. Read this manual carefully, paying particular attention to the safety regulations outlined below, before installing and using this appliance for the first time.


Safety regulations

- This appliance is intended for buffet and household use.
- Only use the appliance for the intended purpose it was designed for as described in this manual.
- The manufacturer is not liable for any damage caused by incorrect operation and improper use.
- Keep the appliance and electrical plug away from water and other liquids. In the event the appliance falls into water, immediately remove the power plug from the socket. Do not use the appliance until it has been checked by a certified technician. Failure to follow these instructions will cause life threatening risks.
- Never attempt to open the housing of the appliance by yourself.
- Do not insert objects into the housing of the appliance.
- Do not touch the plug with wet or damp hands.
-  **DANGER OF ELECTRIC SHOCK!** Do not attempt to repair the appliance by yourself, repairs are only to be conducted by qualified personnel.
- **Never use a damaged appliance!** When it's damaged, disconnect the appliance from the socket and contact the retailer.
- **WARNING!** Do not immerse the electrical parts of the appliance in water or other liquids.
- Never hold the appliance under running water.
- Regularly check the power plug and cord for any damage. When damaged it must be replaced by a service agent or similarly qualified person in order to avoid danger or injury.
- Make sure the cord does not come in contact with sharp or hot objects and keep it away from open fire. Never pull the power cord to unplug it from the socket, always pull the plug instead.
- Make sure that the power cord and/or extension cord do not cause a trip hazard.
- Never leave the appliance unattended during use.
- **WARNING!** As long as the plug is in the socket the appliance is connected to the power source.
- Turn off the appliance before unplugging it from the socket.
- Connect the power plug to an easily accessible electrical socket so that in case of emergency the appliance can be unplugged immediately.
- Never carry the appliance by the cord.
- Do not use any extra devices that are not supplied together with the appliance.
- Only connect the appliance to an electrical outlet with the voltage and frequency mentioned on the appliance label.
- Never use accessories other than those recommended by the manufacturer. Failure to do so could pose a safety risk to the user and could damage the appliance. Only use original parts and accessories.

EN

- This appliance should not be operated by persons with reduced physical, sensory or mental capabilities, or persons that have a lack of experience and knowledge.
- This appliance should, under any circumstances, not be used by children.
- Keep the appliance and its power cord out of reach of children.
- **WARNING:** ALWAYS switch off the appliance and unplug from power socket before cleaning, maintenance or storage.

Special Safety Regulations

- Use the appliance only as described in this manual.
-  **CAUTION! Risk of fire!** The refrigerant used is R600a. It is a flammable natural gas which is environmentally friendly. It does not damage the ozone layer and does not increase the greenhouse effect. The use of this coolant has, however, led to a slight increase in the noise level of the appliance. In addition to the noise of the compressor, you might be able to hear the coolant flowing around the system. This is unavoidable and does not have any adverse effect on the performance of the appliance. Care must be taken during transportation and setting up of the appliance that no parts of the cooling system are damaged. Leakage coolant can damage the eyes.
- The foam blowing agent used is Cyclopentane in this appliance. It is highly flammable.
- This appliance is suitable for an ambient temperature from 16°C ~ 38°C.
- Do not place the appliance on a heating object (gasoline, electric, charcoal cooker, etc.) Keep the appliance away from any hot surfaces and open flames. Always operate and place the appliance on a horizontal, stable, clean, heat-resistant and dry surface.
- Do not use the appliance near explosive or flammable materials, credit cards, magnetic discs or radios.
- This appliance is not intended to be operated by means of an external timer or separate remote-control system.
- **WARNING:** Keep all ventilation openings in the appliance enclosure clear of obstruction.
- **WARNING:** Do not use mechanical devices or other means to accelerate the defrosting process, other than those recommended by the manufacturer.
- **WARNING:** Do not damage the refrigerant circuit.
- Allow at least 10 cm spacing around the appliance for ventilation purpose during use.
- Do not use a water jet, flush directly with water or steam cleaner as the parts will get wet and electric shock might be resulted.
- **CAUTION!** Securely route the power cord if necessary in order to prevent unintentional pulling or contact with the heating surface.
- Do not clean or store the appliance unless it is completely cooled down.
- The appliance should not be tipped over an angle of 5°. After installing the appliance, wait for 2 hours before connecting it to the electrical power supply to switch on. The same applies if the appliance is moved at a later date.

Intended use

- This appliance is intended for buffet and household use.
- The appliance is designed only for wine storage and cooling. [e.g. Champagne, white wine, red wine, etc.]. Any other use may lead to damage to the appliance or personal injury.

- Operating the appliance for any other purpose may be deemed as a misuse of the device. The user shall be solely liable for the improper use of the device.

Grounding installation

This appliance is classified as **protection class I** and must be connected to a protective ground. Grounding reduces the risk of electric shock by providing an escape wire for the electric current.

This appliance is fitted with a power cord that has a grounding wire and grounded plug. The plug must be plugged into an outlet that is properly installed and grounded.

Main components of the machine

1. Housing enclosure
2. Touch control panel (See ==> Operation)
3. Upper hinge cover
4. Door frame
5. Wooden shelves
6. Lower hinge cover
7. Ventilation holes
8. Door handle
9. Adjustable feet



EN

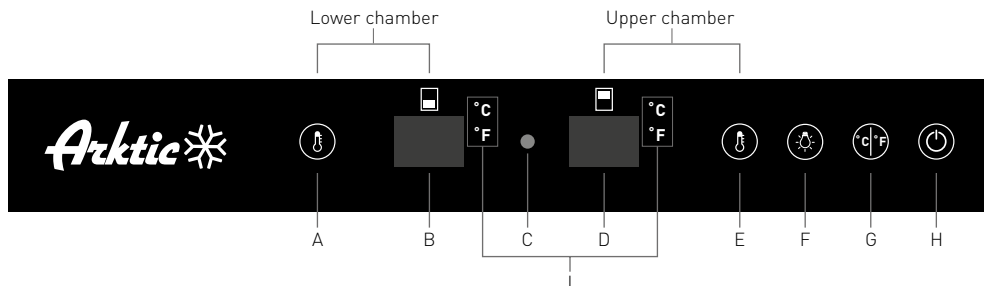
Installation instructions

- Remove the appliance from the carton box, then remove the external and internal packaging and wrapping.
- Check to make sure the appliance is undamaged. In case of incomplete delivery and damages, DO NOT use the appliance. Please contact supplier (See == > Warranty).
- Keep the packaging if you intend to store your appliance in the future.
- Let the appliance stand upright for about 2 hours. This is to reduce the malfunction of the cooling system from improper handling during transportation.

- Clean interior surface with warm water and soft cloth. (See == > Cleaning and Maintenance).
- Place the appliance on a horizontal, stable and heat resist surface that is safe against water splashes.
- Optimum working ambient temperature is between 16°C and 38°C. Otherwise, the functionality will be limited.
- Ensure that there is sufficient ventilation. Keep a minimum distance of 10cm around the appliance. Do not block the ventilation holes.
- For energy savings, always make sure the door is closed.

Operation

The appliance is divided into 2 separate zones. The "Upper chamber" and "Lower chamber" of the appliance are controlled independently with the use of the control panel.



Display indicator:

B: Display of the actual temperature of the lower chamber.

C: Indicator light of compressor working. While the compressor operating, the red light is on. While it stops operating, the red light is off.

D: Display of the actual temperature of the upper chamber.

I: When the °C light is on, it indicates Celsius temperature; When the °F light is on, it indicates Fahrenheit temperature.

Touch control:

E: Temperature setting button of the upper chamber; Once you press the button, the temperature increase 1°C or 1°F. Setting range is between 5°C~12°C or 41°F~54°F.

A: Temperature setting button of the lower chamber; Once you press the button, the temperature increase 1°C or 1°F. Setting range is between 12°C~22°C or 54°F~72°F.

F: Cabinet light control button

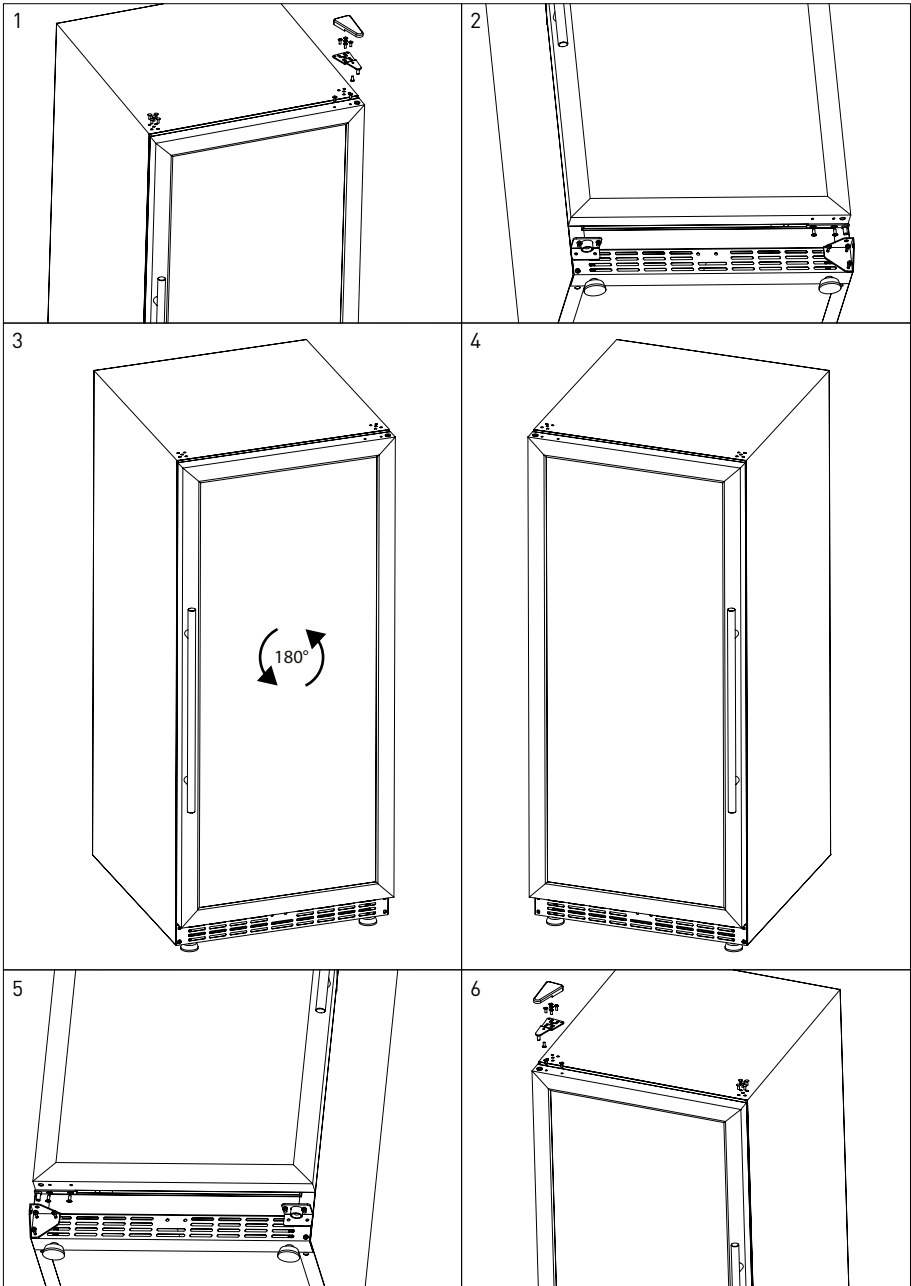
Note: Once the light is turned on, it will automatically off after 10 minutes all out of protecting the wines inside.

G: Celsius and Fahrenheit conversion button

H: Power on and off button; Press the button for 3 seconds, it starts; press it for 3 seconds again, it stops.

Change door open direction

- **CAUTION!** Do protection (not supplied) for the glass door to avoid damage.
 - The user shall be solely liable for the damage of changing open direction of the door.
 - Follow the working procedure below:
- The door is only changing by trained personnel.



Optimal Wine Serving Temperature

Temperature	Type of wine	Wine Category
18°C (65°F)	Rich, Intense, Oaky, Pepper	Bordeaux, Cabernet Sauvignon, Shiraz
17°C (63°F)	Reds	Barolo, Burgundy Grand Cru
16°C (61°F)	Medium To Lighter Bodier Reds	Rioja, Pinot Noir, CDP
15°C (59°F)		Chianti, Zinfandel
14°C (57°F)		Chinon, Port, Madeira
13°C (55°F)		Dolcetto, Cotes Du Rhone
12°C (54°F)	Juicy, Fruity Reds	Beaujolais, Valpolicella
11°C (52°F)	Full-bodied/oaked whites	White Burgundy
10°C (50°F)	Medium To Lighter Bodied	Chardonnay, Sauternes
9°C (48°F)	Whites	Sauvignon Blanc, Chablis
8°C (47°F)	Sweet And Sparking Wines	Vintage Champagnes
7°C (45°F)		
6°C (43°F)		Champagne NV, Prosecco, Cava, Asti

Remark: Above table is just for reference only.

Cleaning and Maintenance

ATTENTION: Always unplug the appliance from the electrical power outlet and let it cool down completely before cleaning & storage.

Cleaning

- Clean the appliance before and after each use.
- Never immerse the appliance in water or other liquids.
- Do not clean the appliance with a water jet.
- Clean the surface with a slightly damp cloth or sponge with some mild soap solution
- All washed parts should be rinsed with clean water to remove the cleaning residues.
- Never use abrasive sponges or detergents, steel wool or metallic utensils to clean the interior or exterior parts of the appliance.
- Dry the interior and exterior surface with a soft cloth.

Storage

- Before storage, always make sure the appliance has already been disconnected from the electrical outlet and cooled down completely.
- Store the appliance in a cool, clean and dry place.

Transportation

- Unplug the appliance from the electrical outlet.
- Remove all the wine bottles inside the appliance.
- Securely tape all loose items inside or outside the appliance.
- At least 2 people for assisting transportation.

Troubleshooting

If the appliance does not function properly, please check the below table for the solution. If you are still unable to solve the problem, please contact the supplier/service provider.

Problems	Possible causes	Possible solutions
The appliance is connected to the power supply but does not function.	1. Power plug is not connected properly to the electrical power.	1. Check again to make sure it is connected properly.
	2. The circuit breaker tripped or a blown fuse.	2. Contact the supplier.
Temperature inside the appliance is too warm.	1. Temperature is set too warm.	1. Turn to a cooler setting.
	2. Door is kept open too long.	2. Open door less.
	3. The door gasket does not seal properly.	3. Check to make sure the door gasket seal properly.
Moisture forms on the inside appliance walls.	1. Door is kept on for too long.	1. Open the door less.
Too much Vibration.	1. The appliance is not placed level.	1. Check the level and adjust the feet until the wine cooler is level. (Minor vibration is normal)
The door will not close properly.	1. The Wine Cooler is not placed level.	1. Check the level and adjust the feet until the wine cooler is level.
	2. The door was reversed and not properly installed.	2. Contact the supplier
	3. The shelves are out of position.	3. Check and put the shelves on right position.

Error codes display

Error code shown on the display (B and D)	Indication	Possible causes	Possible solutions
"E1" or E2" is displayed	Upper zone temperature sensor failure	1. The connection of upper zone temperature sensor is loose.	Reconnect the sensor
		2. Upper zone temperature sensor is defective.	Contact the supplier
"E3" or E4" is displayed	Defrost sensor failure	1. The connection of defrost sensor is loose.	Reconnect the sensor
		2. Defrost sensor is defective.	Contact the supplier
"E7" or E8" is displayed	Lower zone temperature sensor failure	1. The connection of lower zone temperature sensor is loose.	Reconnect the sensor
		2. Lower zone temperature sensor is broken.	Contact the supplier
"HH" is displayed with beep sound	High temperature alarm (the temperature in the wine cabinet over 78.8°F/26°C)	1. Gas leakage.	Contact the supplier
		2. The capillary copper tube on the strainer beside the compressor is blocked.	
		3. The evaporator fan is defective.	
"LL" is flashing with beep sound and the compressor is stopped operation.	Low temperature alarm (temperature in the wine cabinet below 32°F/0°C)	1. The fan of heater is stopped.	1. Disconnect the power and connect it again after 5 mins. 2. Contact the supplier
		2. The control panel is abnormal.	
		3. The heater is defective.	

Technical specification

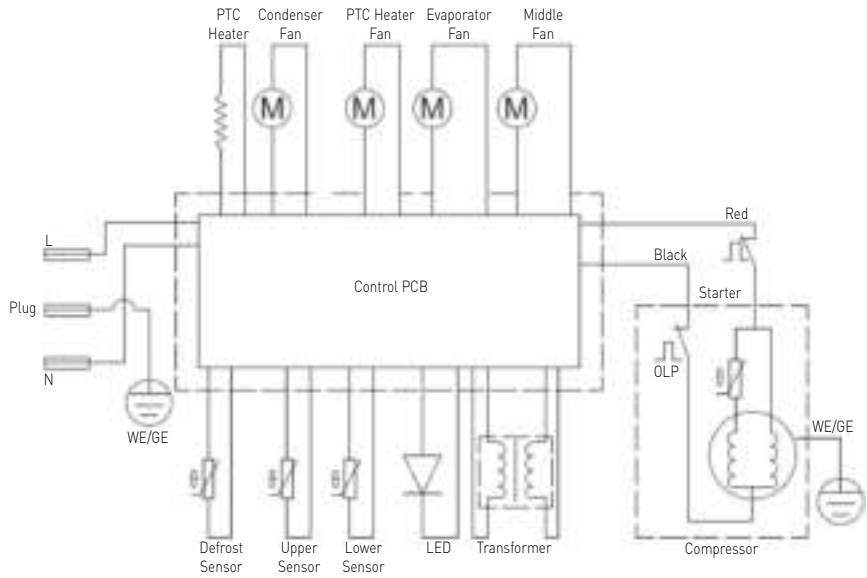
Item no.	237588	237557	237564	237595
Operating voltage and frequency	220-240V~ 50Hz			
Rated input power	90W	110W	130W	150W
Rated current	0,5 A	0,6 A	0,7 A	0,9 A
Setting temperature range	5°C to 22°C			
Protection class	Class I			
Power of the illumination light	1,5 W			
Noise level	< 50 dB (A)			
Refrigerant used and injection quantity	R600a / 30g	R600a / 35g	R600a / 50g	R600a / 52g
Energy efficiency class	G			
Foam blowing agent	Cyclopentane			
Climate class	N-ST (16°C to 38°C)			
No. of temperature zones	2			
Volume capacity	133L	232L	387L	447L
Storage bottle capacity	46 bottles	72 bottles	135 bottles	160 bottles
No. of shelves	5	9	13	15
Net weight (approx.)	49 kg	67 kg	93 kg	103 kg
Dimension	595 x 588 x (H)820mm	595 x 605 x (H)1225mm	595 x 685 x (H)1625mm	595 x 685 x (H)1795mm

EN

Remark: Technical specification is subjected to change without prior notification.

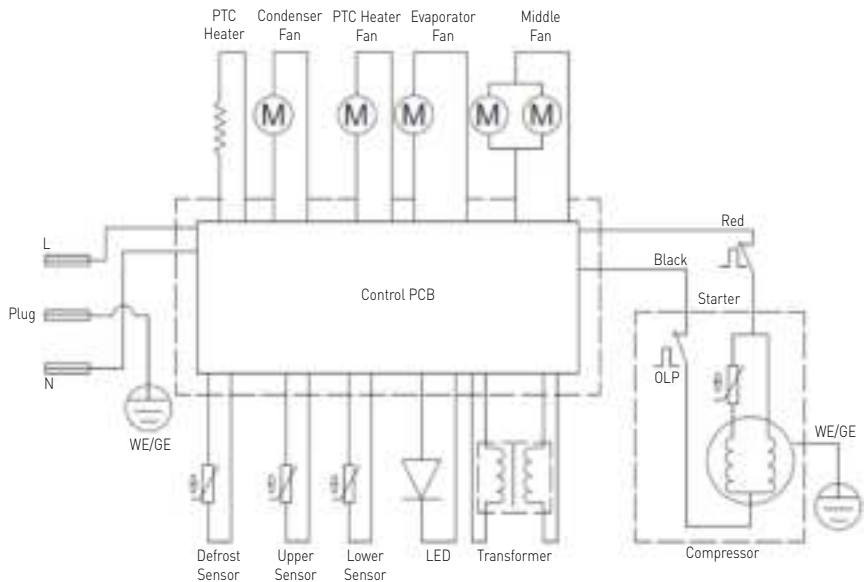
Circuit diagram

237588, 237557



EN

237564, 237595



Warranty

Any defect affecting the functionality of the appliance which becomes apparent within one year after purchase will be repaired by free repair or replacement provided the appliance has been used and maintained in accordance with the instructions and has not been abused or misused in any way. Your statutory rights are not affected. If the appliance is claimed under warranty, state where and

when it was purchased and include proof of purchase (e.g. receipt).

In line with our policy of continuous product development we reserve the right to change the product, packaging and documentation specifications without notice.

Discarding & Environment


When decommissioning the appliance, the product must not be disposed of with other household waste. Instead, it is your responsibility to dispose of your waste equipment by handing it over to a designated collection point. Failure to follow this rule may be penalized in accordance with applicable regulations on waste disposal. The separate collection and recycling of your waste equipment at the time of disposal will help conserve natural re-

sources and ensure that it is recycled in a manner that protects human health and the environment. For more information about where you can drop off your waste for recycling, please contact your local waste collection company. The manufacturers and importers do not take responsibility for recycling, treatment and ecological disposal, either directly or through a public system.

Sehr geehrter Kunde,


Vielen Dank für den Kauf dieses Arktic Gerät. Lesen Sie dieses Handbuch sorgfältig und achten Sie besonders auf die unten aufgeführten Sicherheitsvorschriften, bevor Sie dieses Gerät zum ersten Mal installieren und verwenden.

Sicherheitsvorschriften

- Dieses Gerät ist für den Buffet- und Haushaltsgebrauch bestimmt.
- Verwenden Sie das Gerät nur für den vorgesehenen Zweck, für den es entworfen wurde, wie in diesem Handbuch beschrieben.
- Der Hersteller haftet nicht für Schäden, die durch fehlerhafte Bedienung und unsachgemäße Verwendung verursacht werden.
- Halten Sie das Gerät und den elektrischen Stecker von Wasser und anderen Flüssigkeiten fern. Falls das Gerät in Wasser fällt, entfernen Sie sofort den Netzstecker von der Steckdose. Verwenden Sie das Gerät erst, wenn es von einem zertifizierten Techniker überprüft wurde. Die Nichtbefolgung dieser Anweisungen führt zu lebensbedrohlichen Risiken.
- Versuchen Sie niemals, das Gehäuse des Geräts selbst zu öffnen.
- Legen Sie keine Objekte in das Gehäuse der Appliance ein.
- Berühren Sie den Stecker nicht mit nassen oder feuchten Händen.
-  **GEFAHR EINES ELEKTRISCHEN SCHLAGS!** Versuchen Sie nicht, das Gerät selbst zu reparieren, Reparaturen sind nur von qualifiziertem Personal durchzuführen.
- **Verwenden Sie niemals ein beschädigtes Gerät!** Wenn es beschädigt ist, trennen Sie das Gerät von der Steckdose und wenden Sie sich an den Händler.
- **WARNUNG!** Tauchen Sie die elektrischen Teile des Geräts nicht in Wasser oder andere Flüssigkeiten ein.
- Halten Sie das Gerät niemals unter fließendem Wasser.
- Überprüfen Sie regelmäßig den Netzstecker und das Kabel auf Beschädigungen. Bei Beschädigung muss es durch einen Dienstleister oder eine ähnlich qualifizierte Person ersetzt werden, um Gefahren oder Verletzungen zu vermeiden.
- Stellen Sie sicher, dass das Kabel nicht mit scharfen oder heißen Gegenständen in Berührung kommt und halten Sie es von offenem Feuer fern. Ziehen Sie niemals das Netzkabel, um es von der Steckdose zu trennen, ziehen Sie stattdessen immer den Stecker.
- Stellen Sie sicher, dass das Netzkabel und/oder das Verlängerungskabel keine Auslösegefahr verursachen.
- Lassen Sie die Appliance während des Gebrauchs niemals unbeaufsichtigt.
- **WARNUNG!** Solange sich der Stecker in der Steckdose befindet, wird das Gerät an die Stromquelle angeschlossen.
- Schalten Sie die Appliance aus, bevor Sie sie vom Sockel trennen.
- Schließen Sie den Netzstecker an eine leicht zugängliche Steckdose an, so dass das Gerät im Notfall sofort abgenommen werden kann.

- Tragen Sie das Gerät niemals an der Schnur.
- Verwenden Sie keine zusätzlichen Geräte, die nicht zusammen mit der Appliance geliefert werden.
- Schließen Sie das Gerät nur an eine Steckdose mit der Spannung und Frequenz an, die auf dem Etikett des Gerätes angegeben ist.
- Verwenden Sie niemals anderes Zubehör als das vom Hersteller empfohlene Zubehör. Andernfalls könnte ein Sicherheitsrisiko für den Benutzer darstellen und das Gerät beschädigen. Verwenden Sie nur Originalteile und Zubehör.
- Dieses Gerät sollte nicht von Personen mit eingeschränkter körperlicher, sensorischer oder geistiger Leistungsfähigkeit oder von Personen mit mangelnder Erfahrung und Kenntnisnahme betrieben werden.
- Dieses Gerät sollte unter keinen Umständen von Kindern verwendet werden.
- Bewahren Sie das Gerät und das Netzkabel außerhalb der Reichweite von Kindern auf.
- **ACHTUNG:** Schalten Sie das Gerät immer aus und ziehen Sie es vor der Reinigung, Wartung oder Lagerung von der Steckdose ab.

Besondere Sicherheitsvorschriften

- Verwenden Sie das Gerät ausschließlich gemäß der vorliegenden Anweisung.
-  **ACHTUNG! Es besteht Feuergefahr!** Im Gerät wird R600a als Kältemittel verwendet. Es ist ein umweltfreundliches, leicht brennbares Erdgas. Es ist unschädlich für die Ozonschicht und hat keinen Einfluss auf den Treibhauseffekt. Der Einsatz dieses Kältemittels führt jedoch zu einem leichten Anstieg des Lärmpegels des Gerätes. Neben dem Lärm des Verdichters kann der Benutzer das Geräusch hören, das durch den Kältemittelstrom verursacht wird. Dieses Phänomen lässt sich nicht vermeiden und hat keine negativen Auswirkungen auf den Betrieb des Gerätes. Bei Transport und Aufstellung des Gerätes ist besonders darauf zu achten, dass keine Teile der Kälteanlage beschädigt werden. Auslaufendes Kältemittel kann zu Augenschäden führen.
- Das in diesem Gerät verwendete Schaumtreibmittel ist Cyclopentan. Es ist leicht entzündlich.
- Die Umgebungstemperatur am Betriebsort des Gerätes sollte von 16 °C bis 38 °C betragen.
- Stellen Sie das Gerät nicht auf einen wärmemittlernden Gegenstand (Gasherd, Elektroherd, Grill, usw.). Lagern Sie es weit entfernt von heißen Flächen oder offenem Feuer. Bedienen Sie das Gerät auf einer ebenen, stabilen, sauberen und trockenen Fläche, die auch gegen die Einwirkung hoher Temperaturen beständig ist.
- Das Gerät darf auch in der Nähe von explosiven oder leicht brennbaren Materialien, Geldkarten, Magnetplatten oder Rundfunkempfängern nicht verwendet werden.
- Das Gerät ist für die Bedienung durch einen externen Timer oder ein gesondertes Fernsteuersystem nicht geeignet.
- **WARNUNG:** Verdecken Sie nicht die Belüftungsöffnungen im Gehäuse des Gerätes.

- **WARNUNG:** Verwenden Sie zwecks Beschleunigung des Abtauvorgangs weder mechanische Geräte noch andere Werkzeuge als vom Hersteller empfohlen.
- **WARNUNG:** Der Umlauf des Kältemittels darf nicht beschädigt werden.
- Belassen Sie einen Freiraum von mindestens 10 cm rundum das Gerät, um eine richtige Belüftung zu gewährleisten.
- Reinigen Sie das Gerät weder mit einem Wasserstrahl unter Druck noch mit einem Dampfreiniger, spülen Sie das Gerät nicht mit Wasser ab, da die Teile im Gerät feucht werden oder eingetaucht werden können, was den Stromschlag verursacht.
- **ACHTUNG!** Führen und sichern Sie entsprechend das Stromkabel, um ein unbeabsichtigtes Ziehen oder Berühren der erhitzten Oberfläche zu vermeiden.
- Reinigen und stellen Sie das Gerät nicht am Lagerort ab, bis es nicht völlig abgekühlt ist.
- Das Gerät darf mit keinem größeren Winkel als 5° geneigt stehen. Nach durchgeführter Montage des Gerätes muss man vor seinem Anschluss an die Stromversorgung und Inbetriebnahme 2 Stunden abwarten. Die obige Empfehlung betrifft auch die Situation, wenn das Gerät zu einem späteren Termin an einen anderen Platz gestellt wird.

Verwendungszweck

- Dieses Gerät ist für den Buffet- und Haushaltsgebrauch bestimmt.
- Das Gerät ist ausschließlich für die Aufbewahrung und Kühlung von Wein (z.B. Champagner, Weiß- und Rotwein, etc.) bestimmt. Die Verwendung des Gerätes für andere Zwecke kann zu seiner Beschädigung sowie zu Körperverletzungen führen.
- Jede andere Verwendung des Gerätes gilt als nicht bestimmungsgemäß. Der Benutzer ist allein verantwortlich für die unsachgemäße Nutzung des Gerätes.

Erdungsinstallation

Dieses Gerät ist als **Schutzklasse I** eingestuft und muss mit einer Schutzerde verbunden werden. Die Erdung reduziert das Risiko eines elektrischen Schlags, indem ein Fluchtkabel für den elektrischen Strom bereitgestellt wird. Dieses Gerät ist

mit einem Netzkabel mit einem Erdungskabel und einem geerdeten Stecker ausgestattet. Der Stecker muss in eine Steckdose gesteckt werden, die ordnungsgemäß installiert und geerdet ist.

Hauptteile des Gerätes

1. Gehäuse
2. Touch-Bedienfeld (siehe ==> Betrieb).
3. Abdeckung des oberen Scharniers
4. Türrahmen
5. Holzfächer
6. Abdeckung des unteren Scharniers
7. Lüftungsöffnungen
8. Türgriff
9. Einstellbare FüÙe

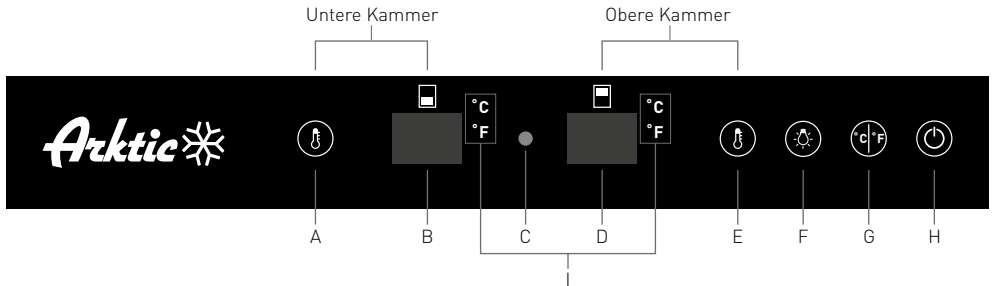


Installationshinweise

- Nehmen Sie das Gerät aus dem Karton heraus, entfernen Sie die Innen- und Außenverpackung sowie die Sicherungen.
- Überprüfen Sie es, ob das Gerät nicht beschädigt ist. Bei einer unvollständigen Anlieferung oder Beschädigungen darf das Gerät nicht benutzt werden. Setzen Sie sich mit dem Lieferanten in Verbindung (siehe == > Garantie).
- Bewahren Sie die Verpackung auf, wenn Sie Ihr Gerät in Zukunft lagern wollen.
- Lassen Sie das Gerät ca. 2 Stunden vertikal stehen. Damit soll der Spielraum für Fehlfunktionen des Kühlsystems bei unsachgemäÙer Handhabung während des Transports reduziert werden.
- Waschen Sie die Außenflächen mit einem weichen, in warmes Wasser getauchten Tuch. (siehe ==> Reinigung und Wartung).
- Stellen Sie das Gerät auf eine horizontale, stabile Fläche auf, die auch gegen die Einwirkung hoher Temperaturen und gegen Spritzer von Wasser beständig ist.
- Die Umgebungstemperatur am Betriebsort des Gerätes sollte von 16 °C bis 38 °C betragen. Andernfalls kann das Gerät nicht richtig funktionieren.
- Sorgen Sie für eine ausreichende Belüftung. Belassen Sie einen Freiraum von mindestens 10 cm rundum das Gerät. Blockieren Sie nicht die Lüftungsöffnungen.
- Um Energie zu sparen, achten Sie immer darauf, dass die Tür geschlossen ist.

Betrieb

Das Gerät besteht aus zwei getrennten Zonen. Die Steuerung der „Obere Kammer“ und „Untere Kammer“ des Gerätes erfolgt separat über das Bedienfeld.



Display-Anzeige:

- B: Anzeige der Ist-Temperatur der unteren Kammer.
- C: Anzeigelampe für den Betrieb des Kompressors. Wenn der Kompressor in Betrieb ist, leuchtet die rote Lampe. Wenn er nicht mehr arbeitet, ist das rote Licht aus.

- D: Anzeige der aktuellen Temperatur in der oberen Kammer.
- I: Wenn die °C-Anzeige leuchtet, zeigt sie die Celsius-Temperatur an; wenn die °F-Anzeige leuchtet, zeigt sie die Fahrenheit-Temperatur an.

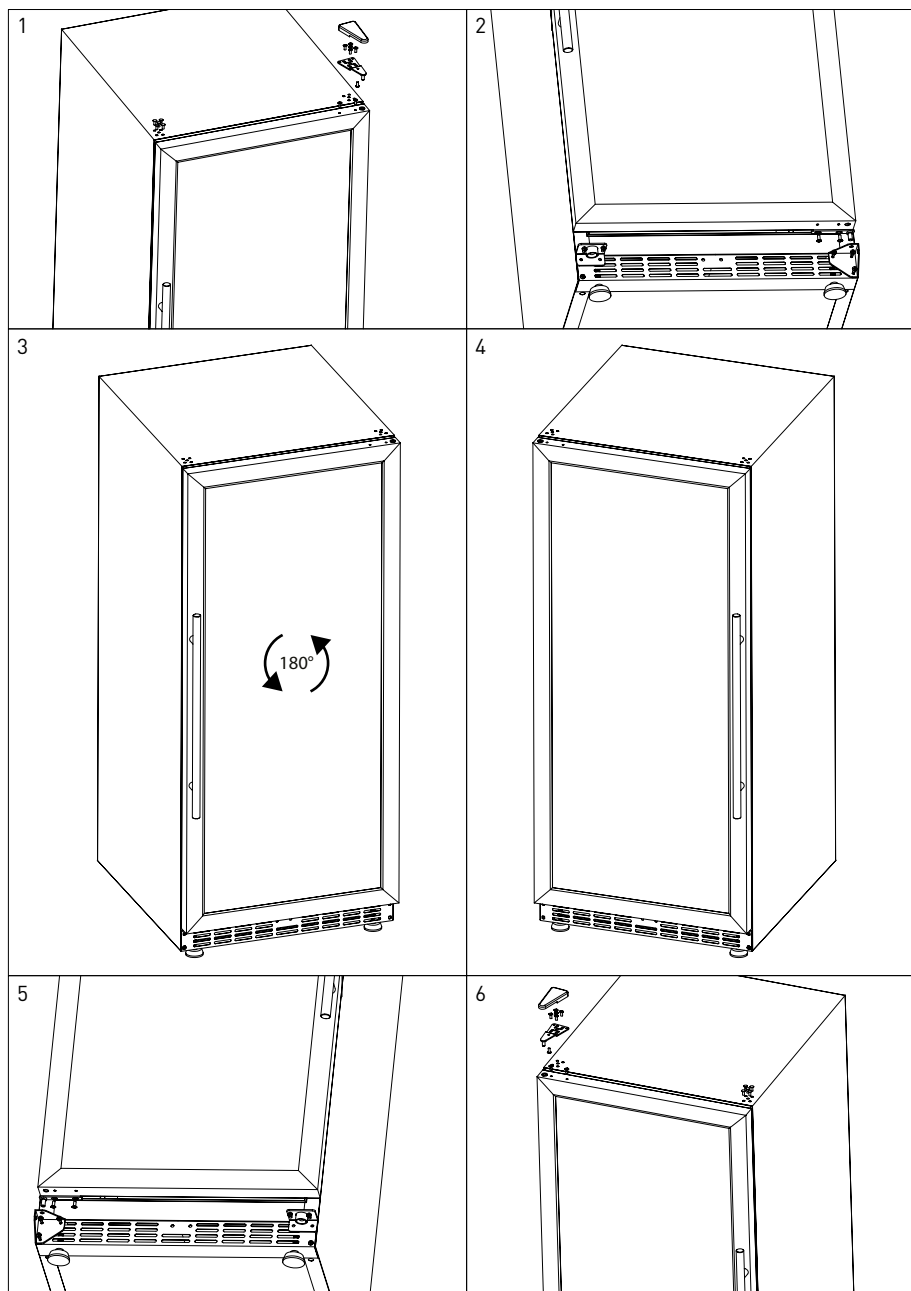
Berührungssteuerung:

- E: Taste zum Einstellen der Temperatur in der oberen Kammer; sobald Sie die Taste drücken, erhöht sich die Temperatur um 1°C oder 1°F. Der Einstellbereich liegt zwischen 5°C~12°C oder 41°F~54°F.
- A: Temperatureinstellungstaste für die untere Kammer; durch Drücken der Taste erhöht sich die Temperatur um 1°C oder 1°F. Der Einstellbereich liegt zwischen 12°C~22°C oder 54°F~72°F.

- F: Taste zur Steuerung der Beleuchtung des Gehäuses
Hinweis: Sobald das Licht eingeschaltet ist, schaltet es sich automatisch nach 10 Minuten aus, um die Weine im Inneren zu schützen.
- G: Taste zur Umrechnung zwischen Celsius und Fahrenheit
- H: Ein- und Ausschalttaste; Drücken Sie die Taste für 3 Sekunden, es startet; drücken Sie es für 3 Sekunden wieder, es stoppt.

Öffnungsrichtung der Tür ändern

- **VORSICHT!** Verwenden Sie einen Schutz (nicht mitgeliefert) für die Glastür, um Schäden zu vermeiden.
- Die Tür darf nur von geschultem Personal gewechselt werden.
- Der Benutzer haftet allein für den Schaden, der durch die Änderung der Öffnungsrichtung der Tür entsteht.
- Befolgen Sie die nachstehenden Arbeitsschritte:



Optimale Trinktemperatur für Wein

Temperatur	Weinarten	Weinsorten
18°C (65°F)	Wein mit reichem, kräftigen, Eichen-, Pfeffergeschmack	Bordeaux, Cabernet Sauvignon, Shiraz
17°C (63°F)	Rotwein	Barolo, Burgundy Grand Cru
16°C (61°F)	Rotweine mit mittlerer oder leichter Struktur	Rioja, Pinot Noir, CDP
15°C (59°F)		Chianti, Zinfandel
14°C (57°F)		Chinon, Port, Madeira
13°C (55°F)		Dolcetto, Cotes Du Rhone
12°C (54°F)	Saftige und fruchtige Rotweine	Beaujolais, Valpolicella
11°C (52°F)	Weißweine mit starker Struktur/Eichenweine	Weißer Burgunder
10°C (50°F)	Weine mit mittlerer oder leichter Struktur	Chardonnay, Sauternes
9°C (48°F)	Weißweine	Sauvignon Blanc, Chablis
8°C (47°F)	Süß- und Schaumweine	Vintage Champagner
7°C (45°F)		
6°C (43°F)		Champagne NV, Prosecco, Cava, Asti

Achtung: Die obigen Daten dienen lediglich Informationszwecken.

Reinigung und Wartung

Hinweis: Vor dem Reinigen und Abstellen des Geräts am Lagerort, ist das Gerät immer von der Netzsteckdose zu trennen und dazu muss man abwarten, bis es abgekühlt ist.

Reinigung

- Reinigen Sie das Gerät vor und nach jedem Gebrauch.
- Tauchen Sie das Gerät nie in Wasser und andere Flüssigkeiten ein.
- Reinigen Sie das Gerät nicht mit einem Wasserstrahl.
- Reinigen Sie das Gehäuse mit einem feuchten Tuch oder Schwamm mit einer geringen Menge eines milden Reinigungsmittels.
- Waschen Sie alle Teile des Gerätes mit Wasser, um die Reste des Reinigungsmittels zu entfernen.
- Verwenden Sie weder Schleifschwämme, Reinigungsmittel, Stahlwolle noch Metallwerkzeuge zum Reinigen der inneren oder äußeren Teile des Gerätes.
- Wischen Sie die inneren oder äußeren Oberflächen des Gerätes sofort nach seinem Waschen mit einem weichen Tuch ab.

Lagerung

- Bevor das Gerät am Lagerort abgestellt wird, muss man sich sicherstellen, dass das Gerät von der Netzsteckdose getrennt wurde und völlig abgekühlt ist.
- Das Gerät ist an einem kühlen, sauberen und trockenen Ort zu lagern.

Transport

- Trennen Sie das Gerät von der Stromquelle, indem Sie den Stecker aus der Steckdose ziehen.
- Nehmen Sie alle Weinflaschen aus dem Gerät heraus.
- Befestigen Sie alle losen Teile innerhalb oder außerhalb des Geräts mit Klebeband.
- Das Gerät sollte mindestens 2 Personen tragen.

Fehlerbehebung

Sollte das Gerät nicht ordnungsgemäß funktionieren, überprüfen Sie bitte die nachfolgende Tabelle für eine Lösung. Sollten Sie das Problem noch immer nicht lösen können, wenden Sie sich bitte an den Lieferanten/ Dienstanbieter.

Problem	Mögliche Ursache	Lösungsvorschlag
Das Gerät ist an eine Stromquelle angeschlossen, startet aber nicht.	1. Der Stecker ist nicht richtig an die Stromquelle angeschlossen.	1. Prüfen Sie, ob der Stecker richtig an die Stromquelle angeschlossen ist
	2. Der Überlastungsschutzschalter wurde aktiviert oder die Sicherung ist durchgebrannt.	2. Setzen Sie sich mit dem Lieferanten in Verbindung.
Die Innentemperatur ist zu hoch.	1. Die eingestellte Temperatur ist zu hoch.	1. Stellen Sie eine niedrigere Temperatur ein.
	2. Die Tür war zu lange offen.	2. Beschränken Sie das Öffnen der Tür.
	3. Die Türdichtung funktioniert nicht richtig.	3. Achten Sie darauf, dass die Dichtung garantiert, dass die Tür richtig geschlossen ist.
An den Innenwänden des Gerätes sammelt sich Feuchtigkeit.	1. Die Tür war zu lange offen.	1. Beschränken Sie das Öffnen der Tür.
Zu starke Vibrationen.	1. Das Gerät ist nicht waagrecht aufgestellt.	1. Überprüfen Sie die Höhe und passen Sie die Füße an, bis der Weinkühler waagrecht steht. (Leichte Vibrationen sind normal)
Die Tür lässt sich nicht richtig schließen.	1. Der Weinkühler ist nicht waagrecht aufgestellt.	1. Überprüfen Sie die Höhe und passen Sie die Füße an, bis der Weinkühler waagrecht steht.
	2. Die Tür wurde umgedreht und nicht richtig eingesetzt.	2. Setzen Sie sich mit dem Lieferanten in Verbindung.
	3. Die Einlegeböden sind nicht in der richtigen Position.	3. Überprüfen Sie die Einlegeböden und bringen Sie sie in die richtige Position.

Angezeigte Fehlercodes

Fehlercodes – sichtbar im Display (B/D)	Anzeige	Mögliche Ursache	Lösungsvorschlag
Es wird „E1“ oder „E2“ angezeigt	Ausfall des Temperatursensors der oberen Zone	1. Der Anschluss des Temperatursensors der oberen Zone ist locker.	Schließen Sie den Sensor wieder an.
		2. Der Temperaturfühler der oberen Zone ist defekt.	Setzen Sie sich mit dem Lieferanten in Verbindung.
Es wird „E3“ oder „E4“ angezeigt	Ausfall des Abtaufühlers	1. Der Anschluss des Abtaufühlers ist lose.	Schließen Sie den Sensor wieder an.
		2. Der Abtaufühler ist defekt.	Setzen Sie sich mit dem Lieferanten in Verbindung.
Es wird „E7“ oder „E8“ angezeigt	Ausfall des Temperaturfühlers der unteren Zone	1. Der Anschluss des Temperaturfühlers der unteren Zone ist lose.	Schließen Sie den Sensor wieder an.
		2. Der Temperaturfühler der unteren Zone ist defekt.	Setzen Sie sich mit dem Lieferanten in Verbindung.
„HH“ wird mit einem Signalton angezeigt.	Hochtemperaturalarm (die Temperatur im Weinschrank liegt über 78,8°F/26°C)	1. Gasaustritt.	Setzen Sie sich mit dem Lieferanten in Verbindung.
		2. Das Kapillar-Kupferrohr auf dem Sieb neben dem Kompressor ist verstopft.	
		3. Das Verdampfergebläse ist defekt.	
„LL“ blinkt mit einem Piepton und der Kompressor schaltet sich ab.	Alarm für niedrige Temperatur (Temperatur im Weinschrank unter 32°F/0°C)	1. Das Gebläse der Heizung	1. Trennen Sie das Gerät von der Stromversorgung und schließen Sie es nach 5 Minuten wieder an. 2. Setzen Sie sich mit dem Lieferanten in Verbindung.
		2. Das Bedienfeld ist nicht in Ordnung.	
		3. Die Heizung ist defekt.	

Technische Spezifikation

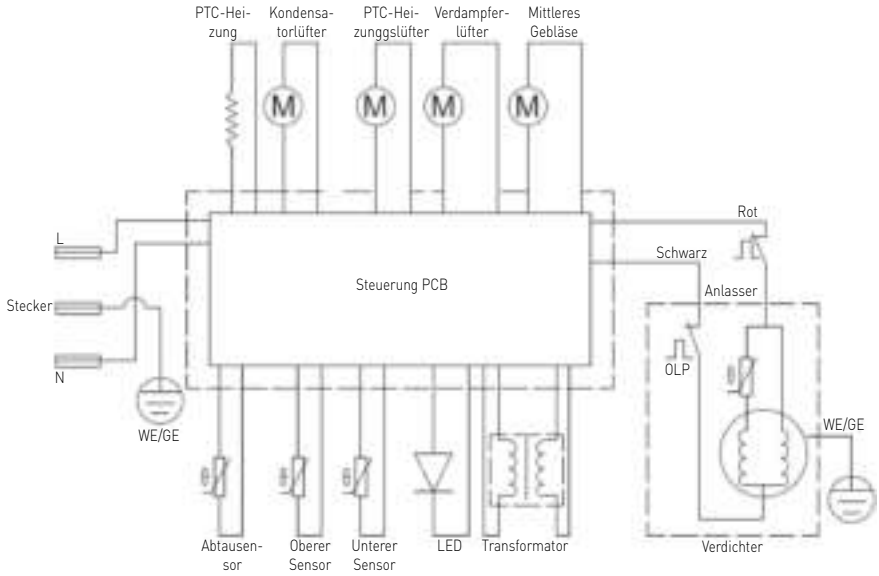
Nr. des Produktes	237588	237557	237564	237595
Betriebsspannung und Frequenz	220-240V~ 50Hz			
Nennleistungsaufnahme	90W	110W	130W	150W
Nennstrom	0,5 A	0,6 A	0,7 A	0,9 A
Temperaturbereich	5°C bis 22°C			
Schutzklasse	Klasse I			
Lichtleistung	1,5 W			
Lärmpegel	< 50 dB (A)			
Kältemittel / Menge des eingespritzten Mittels	R600a / 30g	R600a / 35g	R600a / 50g	R600a / 52g
Energieklasse	G			
Schaumtreibmittel	Cyclopentan			
Klimaklasse	N-ST (16 °C bis zu 38 °C)			
Anzahl der Temperaturzonen	2			
Volumen	133L	232L	387L	447L
Kapazität – Anzahl der gelagerten Flaschen	46 Flaschen	72 Flaschen	135 Flaschen	160 Flaschen
Anzahl der Fächer	5	9	13	15
Nettogewicht (ca.)	49 kg	67 kg	93 kg	103 kg
Abmessungen	595 x 588 x (H)820mm	595 x 605 x (H)1225mm	595 x 685 x (H)1625mm	595 x 685 x (H)1795mm

DE

Bemerkungen: Die Technische Spezifikation kann ohne frühere Ankündigung geändert werden.

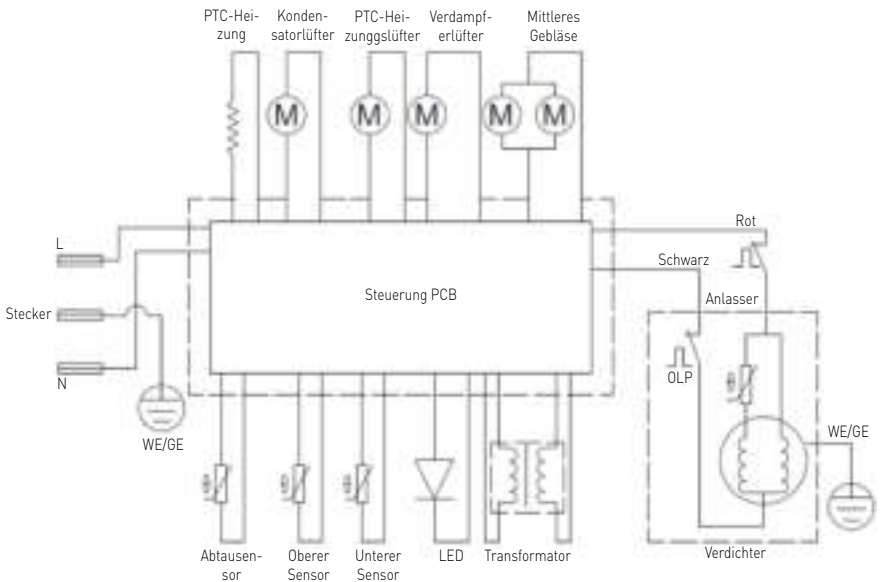
Elektrischer Schaltplan

237588, 237557



DE

237564, 237595



Garantie

Alle innerhalb von einem Jahr nach dem Kaufdatum festgestellten Defekte oder Mängel, die die Funktionalität des Gerätes beeinträchtigen, werden auf dem Wege der unentgeltlichen Reparatur bzw. des Austausches unter der Voraussetzung beseitigt, dass das Gerät in einer der Bedienungsanleitung gemäßen Art und Weise betrieben und gewartet wird und weder vorsätzlich vernichtet noch nicht bestimmungsgemäß genutzt wurde. Ihre Rechte aus den entsprechenden Gesetzen

bleiben davon unberührt. Eine in der Garantiefrist einzureichende Beanstandung hat die Angabe des Kaufortes und Kaufdatums und in der Anlage einen Kaufbeleg (z.B. Kassenzettel) zu enthalten.

Gemäß unserer Politik der ständigen Weiterentwicklung unserer Produkte behalten wir uns vor, Änderungen am Produkt, an seiner Verpackung und an den dokumentierten technischen Daten ohne vorherige Ankündigung vorzunehmen.

Entsorgung und Umweltschutz


Wird das Gerät außer Betrieb genommen, darf es nicht über den Hausmüll entsorgt werden. Der Benutzer ist für die Übergabe des Gerätes an eine geeignete Sammelstelle für Altgeräte verantwortlich. Die Nichteinhaltung dieser Regel kann gemäß den geltenden Vorschriften über die Abfallentsorgung bestraft werden. Die getrennte Sammlung und das Recycling der Altgeräte trägt zur Schonung der natürlichen Ressourcen bei und sorgt für eine umwelt- und gesundheitsschonende Verwertungsweise.

Weitere Informationen darüber, wo Sie Ihre Altgeräte entsorgen können, erhalten Sie bei Ihrem örtlichen Entsorgungsunternehmen. Der Hersteller und der Importeur übernehmen keine Verantwortung für das Recycling sowie die umweltfreundliche Verwertung von Abfällen, weder direkt noch über ein öffentliches System.

Geachte klant,

Bedankt voor de aanschaf van dit Arktic apparaat. Lees deze handleiding zorgvuldig door, met bijzondere aandacht voor de onderstaande veiligheidsvoorschriften, voordat u dit apparaat voor de eerste keer installeert en gebruikt.

Veiligheidsvoorschriften

- Dit apparaat is bedoeld voor buffet en huishoudelijk gebruik.
- Gebruik het apparaat alleen voor het beoogde doel waarvoor het is ontworpen, zoals beschreven in deze handleiding.
- De fabrikant is niet aansprakelijk voor enige schade veroorzaakt door onjuist gebruik en onjuist gebruik.
- Houd het apparaat en de stekker uit de buurt van water en andere vloeistoffen. Als het apparaat in water valt, haal dan onmiddellijk de stekker uit het stopcontact. Gebruik het apparaat niet totdat het is gecontroleerd door een gecertificeerde technicus. Het niet volgen van deze instructies zal levensbedreigende risico's veroorzaken.
- Probeer nooit de behuizing van het apparaat zelf te openen.
- Plaats geen objecten in de behuizing van het apparaat.
- Raak de stekker niet aan met natte of vochtige handen.
-  **GEVAAR VOOR EEN ELEKTRISCHE SCHOK!** Probeer het apparaat niet zelf te repareren, reparaties mogen alleen worden uitgevoerd door gekwalificeerd personeel.
- **Gebruik nooit een beschadigd apparaat!** Wanneer het apparaat beschadigd is, koppelt u het apparaat los van het stopcontact en neemt u contact op met de detailhandelaar.
- **WAARSCHUWING!** Dompel de elektrische onderdelen van het apparaat niet onder in water of andere vloeistoffen.
- Houd het apparaat nooit onder stromend water.
- Controleer regelmatig de stekker en het snoer op eventuele schade. Bij beschadiging moet het worden vervangen door een serviceagent of een gelijkwaardig gekwalificeerd persoon om gevaar of letsel te voorkomen.
- Zorg ervoor dat het snoer niet in contact komt met scherpe of hete voorwerpen en houd het uit de buurt van open vuur. Trek nooit aan het netsnoer om het uit het stopcontact te halen, trek altijd aan de stekker.
- Zorg ervoor dat het netsnoer en/of het verlengsnoer geen struikelgevaar veroorzaken.
- Laat het apparaat nooit onbeheerd achter tijdens het gebruik.
- **WAARSCHUWING!** Zolang de stekker in het stopcontact zit, is het apparaat aangesloten op de stroombron.
- Schakel het toestel uit voordat u het uit het stopcontact haalt.
- Sluit de stekker aan op een gemakkelijk toegankelijk stopcontact, zodat het apparaat in geval van nood onmiddellijk kan worden losgekoppeld.
- Draag het apparaat nooit bij het snoer.
- Gebruik geen extra apparaten die niet samen met het apparaat worden geleverd.

- Sluit het apparaat alleen aan op een stopcontact met de spanning en frequentie vermeld op het etiket van het apparaat.
- Gebruik nooit andere accessoires dan die welke door de fabrikant worden aanbevolen. Als u dit niet doet, kan dit een veiligheidsrisico vormen voor de gebruiker en kan het apparaat beschadigen. Gebruik alleen originele onderdelen en accessoires.
- Dit apparaat mag niet worden gebruikt door personen met verminderde fysieke, zintuiglijke of mentale vermogens, of personen met een gebrek aan ervaring en kennis.
- Dit apparaat mag in geen geval door kinderen worden gebruikt.
- Houd het apparaat en het netsnoer buiten het bereik van kinderen.
- **WAARSCHUWING:** schakel het apparaat ALTIJD uit en haal de stekker uit het stopcontact voor reiniging, onderhoud of opslag.

Bijzondere veiligheidsvoorschriften

- Gebruik het apparaat alleen zoals beschreven in deze handleiding.
-  **LET OP! Gevaar voor brand!** Het gebruikte koelmiddel is R600a. Dit is een ontvlambaar gas dat milieuvriendelijk is. Het beschadigt de ozonlaag niet en draagt niet bij aan het broeikaseffect. Het gebruik van het koelmiddel leidt echter wel tot een lichte toename van het geluidsniveau van het apparaat. Het is mogelijk dat u, naast het geluid van de compressor, ook het koelmiddel hoort stromen in het systeem. Dit is onvermijdelijk en heeft geen nadelig effect op de prestaties van het apparaat. Tijdens het transport en de installatie van het apparaat moet erop worden gelet dat er geen onderdelen van het koelsysteem worden beschadigd. Gelekt koelmiddel kan uw ogen schaden.
- Het schuimblaasmiddel dat in dit apparaat wordt gebruikt is Cyclopentaan. Dit is licht ontvlambaar.
- Dit apparaat is geschikt voor gebruik bij omgevingstemperaturen van 16°C ~ 38°C.
- Plaats het apparaat niet op een verwarmingsvoorwerp (kooktoestel op benzine, elektriciteit, houtskool, etc.) en houd het uit de buurt van hete oppervlakken en open vlammen. Gebruik het apparaat altijd op een horizontale, stabiele, schone, hittebestendige en droge ondergrond.
- Gebruik het apparaat niet in de buurt van explosieve of ontvlambare materialen, creditcards, magnetische schijven of radio's.
- Dit apparaat is niet bedoeld om gebruikt te worden in combinatie met een externe timer of apart afstandsbedieningssysteem.
- **WAARSCHUWING:** Houd alle ventilatieopeningen in de behuizing van het apparaat vrij.
- **WAARSCHUWING:** Gebruik alleen door de fabrikant aanbevolen mechanische apparaten of andere middelen om het ontdooiproces te versnellen.
- **WAARSCHUWING:** Beschadig het koelmiddelcircuit niet.
- Laat tijdens gebruik minimaal 10 cm ruimte vrij rond het apparaat voor ventilatie.
- Gebruik geen waterstralen of stoomreiniger en spoel niet rechtstreeks met water, omdat de onderdelen van de machine nat kunnen worden en dit kan leiden tot elektrische schokken.

- **LET OP!** Plaats het netsnoer indien nodig op een veilige manier om te voorkomen dat het netsnoer in contact kan komen met het verwarmingsoppervlak en dat er per ongeluk aan het netsnoer kan worden getrokken.
- Alleen reinigen en opbergen als het apparaat volledig is afgekoeld.
- Het apparaat mag niet worden gekanteld onder een hoek groter dan 5°. Wacht nadat het apparaat is geïnstalleerd 2 uur alvorens het aan te sluiten op het lichtnet en in te schakelen. Dit geldt ook als het apparaat op een later tijdstip wordt verplaatst.

Bedoeld gebruik

- Dit apparaat is bedoeld voor buffet en huishoudelijk gebruik.
- Het apparaat is uitsluitend bestemd voor het koelen van wijn en de opslag van wijn. (bijv. champagne, witte wijn, rode wijn, etc.). Elk ander gebruik kan leiden tot schade aan het apparaat of lichamelijk letsel.
- Gebruik van het apparaat voor andere doeleinden wordt beschouwd als verkeerd gebruik van het apparaat. De gebruiker is volledig aansprakelijk voor alle risico's die voortvloeien uit verkeerd gebruik van het apparaat.

Aarding installatie

Dit apparaat is geclassificeerd als **beschermingsklasse I** en moet op een beschermende grond worden aangesloten. Aarding vermindert het risico op elektrische schokken door een ontsnappingsdraad voor de elektrische stroom aan te bieden. Dit ap-

paraat is uitgerust met een netsnoer met een aardingsdraad en geaarde stekker. De stekker moet worden aangesloten op een stopcontact dat correct is geïnstalleerd en geaard.

Belangrijkste onderdelen van de machine

1. Behuizing
2. Aanraakgevoelig bedieningspaneel (Zie ==> Bediening)
3. Bovenste scharnierkap
4. Deurstijl
5. Houten rekken
6. Onderste scharnierkap
7. Ventilatiegaten
8. Handgreep deur
9. Instelbare voeten



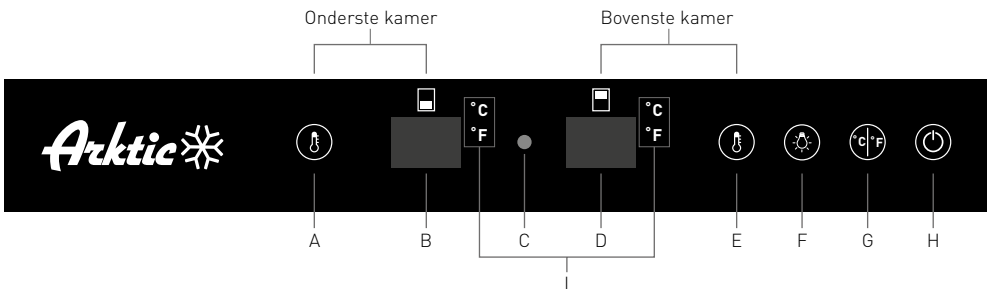
Installatie-instructies

- Haal het apparaat uit de kartonnen doos en verwijder vervolgens de externe en interne verpakkingsmaterialen.
- Controleer of het apparaat onbeschadigd is. Gebruik het apparaat NIET in geval van een onvolledige levering of schade. Neem contact op met de leverancier (Zie == > Garantie).
- Bewaar de verpakking als u uw apparaat in de toekomst wilt opbergen.
- Laat het apparaat ongeveer 2 uur rechtop staan. Dit doet u om de kans op storingen in het koelsysteem door onjuiste behandeling tijdens het transport te beperken.
- Reinig het binnenoppervlak met warm water en

- een zachte doek. (Zie == > Reiniging en onderhoud).
- Plaats het apparaat op een horizontale, stabiele, hittebestendige ondergrond uit de buurt van waterspatten.
- De optimale omgevingstemperatuur voor gebruik ligt tussen 16°C en 38°C. Het apparaat heeft bij temperaturen buiten dit bereik een beperkte functionaliteit.
- Zorg ervoor dat er voldoende ventilatie is. Houd een minimale afstand van 10cm vrij rond het apparaat. Blokkeer de ventilatiegaten niet.
- Zorg er om energie te besparen voor dat de deur altijd is gesloten.

Bediening

Het apparaat is onderverdeeld in twee afzonderlijke zones. De "Bovenste kamer" en "Onderste kamer" van het apparaat worden afzonderlijk bediend met behulp van het bedieningspaneel.



Schermindicator:

B: Weergave van de werkelijke temperatuur van de onderste kamer.

C: Indicatielampje voor een werkende compressor. Het rode lichtje brandt wanneer de compressor in werking is. Het rode lichtje gaat uit wanneer de compressor stopt met werken.

D: Weergave van de werkelijke temperatuur van de bovenste kamer.

I: Wanneer het °C-lampje brandt, wordt de temperatuur in Celsius aangegeven; Wanneer het °F-lampje brandt, wordt de temperatuur in Fahrenheit aangegeven.

Aanraakbediening:

E: Toets voor het instellen van de temperatuur van de bovenste kamer; Zodra er op de toets wordt gedrukt, verhoogt de temperatuur met 1°C of 1°F. Het instelbereik is tussen 5°C~12°C of 41°F~54°F.

A: Toets voor het instellen van de temperatuur van de onderste kamer; Zodra er op de toets wordt gedrukt, verhoogt de temperatuur met 1°C of 1°F. Het instelbereik is tussen 12°C~22°C of 54°F~72°F.

F: Bedieningstoets voor cabinetverlichting

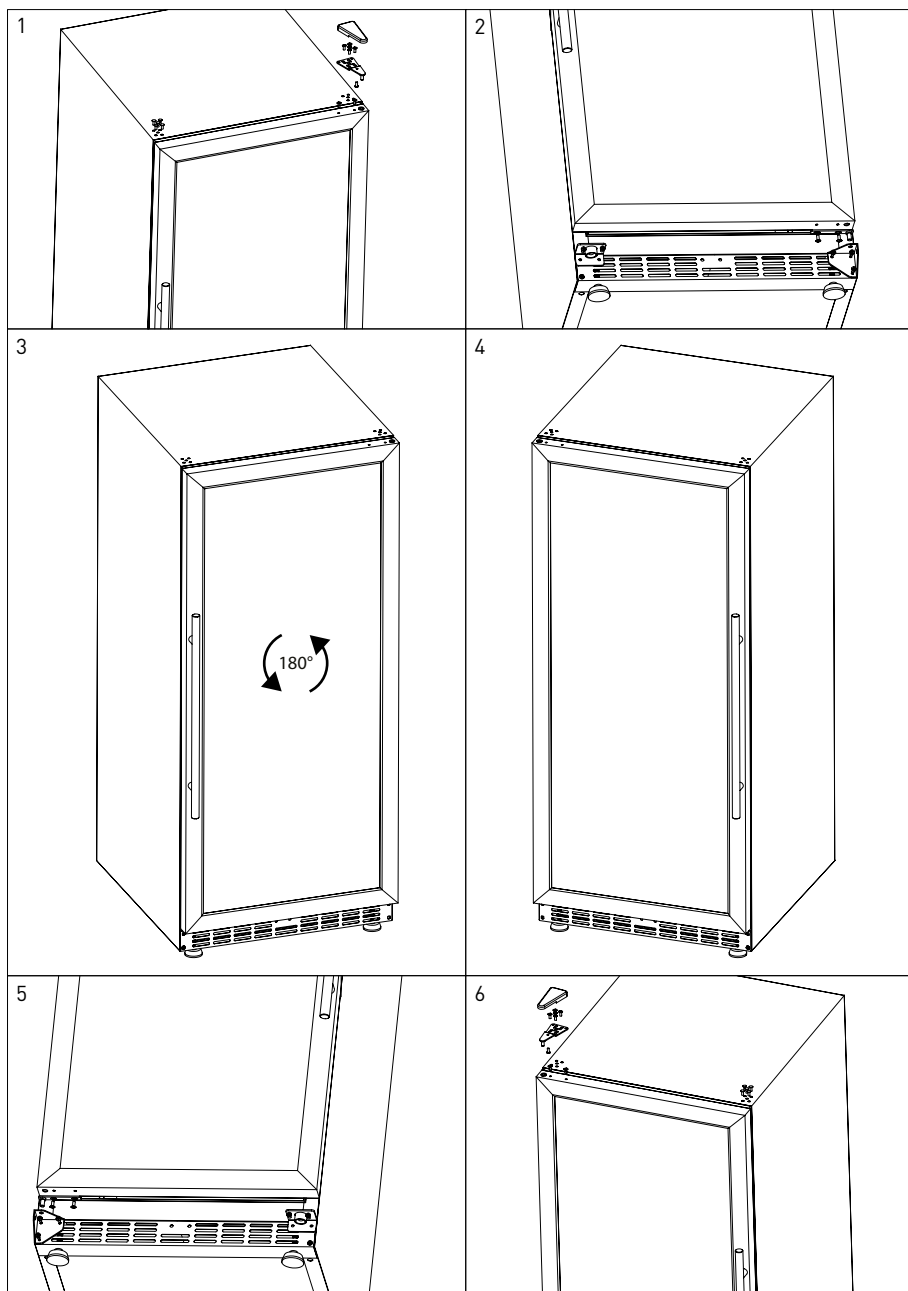
Opmerking: Zodra het licht is ingeschakeld, zal het na 10 minuten uitschakelen om de wijn te beschermen.

G: Toets voor het wisselen tussen Celsius en Fahrenheit

H: Aan-/uitknop; Druk 3 seconden op de knop om het apparaat in te schakelen; druk opnieuw 3 seconden op de knop om het apparaat uit te schakelen.

Richting voor het openen van de deur wijzigen

- **OPGELET!** Bescherm de glazen deur (niet meegeleverd) om beschadiging te vermijden.
- De deur mag alleen door opgeleid personeel worden aangepast.
- De gebruiker zal exclusieve verantwoordelijkheid dragen voor beschadiging na het zelf aanpassen van de richting voor opening van de deur.
- Volg onderstaande procedure:



Optimale serveertemperatuur wijn

Temperatuur	Soort wijn	Wijncategorie
18°C (65°F)	Rijk, Intens, Eiken, Peper	Bordeaux, Cabernet Sauvignon, Shiraz
17°C (63°F)	Rode wijnen	Barolo, Burgundy Grand Cru
16°C (61°F)	Rode wijnen met medium tot lichte body	Rioja, Pinot Noir, CDP
15°C (59°F)		Chianti, Zinfandel
14°C (57°F)		Chinon, Port, Madeira
13°C (55°F)		Dolcetto, Cotes Du Rhone
12°C (54°F)	Fruiting, Fruitige rode wijnen	Beaujolais, Valpolicella
11°C (52°F)	Witte wijnen met zware body/geëikt	Witte Burgundy
10°C (50°F)	Witte wijnen met medium tot lichte body	Chardonnay, Sauternes
9°C (48°F)	Witte wijnen	Sauvignon Blanc, Chablis
8°C (47°F)	Zoete en mousserende wijnen	Vintage champagne
7°C (45°F)		
6°C (43°F)		Champagne NV, Prosecco, Cava, Asti

Opmerking: Bovenstaande tabel dient alleen ter referentie.

Reiniging en onderhoud

Let op: Trek de stekker van het apparaat altijd uit het stopcontact en laat het apparaat afkoelen alvorens het apparaat te reinigen & op te bergen.

Reiniging

- Reinig het apparaat voor en na elk gebruik.
- Dompel het apparaat nooit onder in water of andere vloeistoffen.
- Reinig het apparaat niet met een waterstraal.
- Reinig het oppervlak met een licht bevochtigde doek of spons en een milde zeepoplossing
- Alle gewassen onderdelen moeten worden schoongespoeld met water om resten van reinigingsmiddelen te verwijderen.
- Gebruik nooit schurende sponsjes of reinigingsmiddelen, staalwol of metalen keukengerei/ge-reedschap om de onderdelen aan de binnenkant of buitenkant van het apparaat te reinigen.
- Droog de binnen- en buitenoppervlakken met een zachte doek.

Opslag

- Zorg er voor het opbergen altijd voor dat het apparaat is losgekoppeld van het stopcontact en volledig is afgekoeld.
- Bewaar het apparaat op een koele, schone en droge plek.

Transport

- Trek de stekker uit het stopcontact.
- Verwijder alle wijnflessen uit het apparaat.
- Maak alle losse items in of buiten het apparaat vast met tape.
- Er zijn minimaal 2 personen benodigd om het transport te assisteren.

Problemen oplossen

Als het apparaat niet naar behoren functioneert, raadpleeg dan de onderstaande tabel voor een oplossing. Als u het probleem nog steeds niet kunt oplossen, neem contact op met de leverancier/dienstverlener.

Problemen	Mogelijke oorzaken	Mogelijke oplossingen
Het apparaat is aangesloten op de voeding, maar functioneert niet.	1. De stekker is niet juist aangesloten op het stopcontact.	1. Controleer nogmaals of de stekker goed is aangesloten.
	2. De stroomonderbreker is geactiveerd of er is een zekering gesprongen.	2. Neem contact op met de leverancier.
De temperatuur in het apparaat is te hoog.	1. Temperatuur is te hoog ingesteld.	1. Stel in op een lagere instelling.
	2. De deur wordt te lang open gehouden.	2. Open de deur minder vaak.
	3. De pakking van de deur dicht het apparaat niet naar behoren af.	3. Controleer en zorg ervoor dat de pakking van de deur goed afdicht.
Er vormt zich vocht op de wanden in het apparaat.	1. De deur wordt te lang open gehouden.	1. Open de deur minder vaak.
Te veel trillingen.	1. Het apparaat staat niet waterpas.	1. Controleer het niveau en pas de voeten aan tot de wijnkoeler waterpas staat. (Een beetje trilling is normaal)
De deur sluit niet goed.	1. De wijnkoeler staat niet waterpas.	1. Controleer het niveau en pas de voeten aan tot de wijnkoeler waterpas staat.
	2. De deur werd omgekeerd en niet goed geïnstalleerd.	2. Neem contact op met de leverancier.
	3. De schappen staan niet op hun plaats.	3. Controleer en zet de schappen op de juiste plaats.

Weergave foutcodes

Getoonde foutcodes op het display (B/D)	Indicatie	Mogelijke oorzaken	Mogelijke oplossingen
'E1' of 'E2' wordt weergegeven	Storing van de temperatuursensor voor het bovenste gedeelte	1. De aansluiting van de temperatuursensor voor het bovenste gedeelte is los.	Sluit de sensor opnieuw aan
		2. De temperatuursensor voor het bovenste gedeelte is defect.	Neem contact op met de leverancier.
'E3' of 'E4' wordt weergegeven	Storing van de ontdooisensor	1. De aansluiting van de ontdooisensor voor het bovenste gedeelte is los.	Sluit de sensor opnieuw aan
		2. De ontdooisensor is defect.	Neem contact op met de leverancier.

'E7' of 'E8' wordt weergegeven	Storing van de temperatuursensor voor het onderste gedeelte	1. De aansluiting van de temperatuursensor voor het onderste gedeelte is los.	Sluit de sensor opnieuw aan
		2. De temperatuursensor voor het onderste gedeelte is defect.	Neem contact op met de leverancier.
'HH' wordt weergegeven, met een pieptoon	Hoog temperatuuralarm (de temperatuur in de wijnkoeler is hoger dan 78.8°F/26°C)	1. Gaslek.	Neem contact op met de leverancier.
		2. De capillaire koperen buis op de zeef naast de compressor is geblokkeerd.	
		3. De ventilator van de verdampers is defect.	
'LL' knippert met een pieptoon en de werking van de compressor is gestopt.	Laag temperatuuralarm (de temperatuur in de wijnkoeler is lager dan 32°F/0°C)	1. De ventilator van de verwarming is gestopt.	1. Trek de stekker uit het stopcontact en steek deze na 5 minuten opnieuw in het stopcontact. 2. Neem contact op met de leverancier.
		2. Het bedieningspaneel werkt niet normaal.	
		3. De verwarming is defect.	

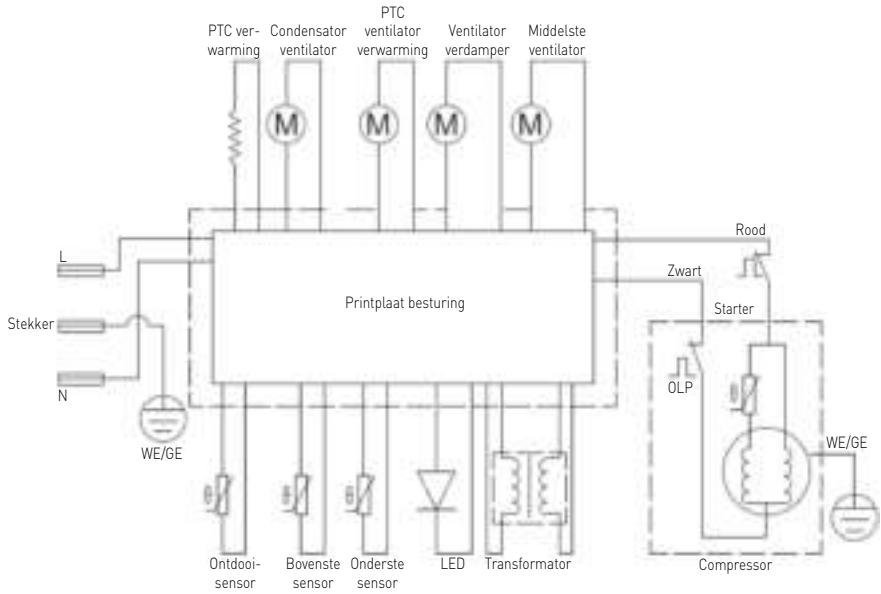
Technische specificaties

Artikelnr.	237588	237557	237564	237595
Bedrijfsspanning en frequentie	220-240V~ 50Hz			
Nominaal ingangsvermogen	90W	110W	130W	150W
Nominale stroom	0,5 A	0,6 A	0,7 A	0,9 A
Instelbereik temperatuur	5°C tot 22°C			
Beschermingsklasse	Klasse I			
Vermogen verlichting	1,5 W			
Geluidsniveau	< 50 dB (A)			
Gebruikt koelmiddel en injectiehoeveelheid	R600a / 30g	R600a / 35g	R600a / 50g	R600a / 52g
Energie-efficiëntieklasse	G			
Ontvlambaar schuimmiddel	Cyclopentaan			
Klimaatklasse	N-ST (16°C tot 38°C)			
Aantal temperatuurzones	2			
Volumecapaciteit	133L	232L	387L	447L
Opslagcapaciteit flessen	46 flessen	72 flessen	135 flessen	160 flessen
Aantal rekken	5	9	13	15
Nettogewicht (ca.)	49 kg	67 kg	93 kg	103 kg
Afmetingen	595 x 588 x (H)820mm	595 x 605 x (H)1225mm	595 x 685 x (H)1625mm	595 x 685 x (H)1795mm

Opmerking: Technische specificaties onderhevig aan verandering zonder voorafgaande kennisgeving.

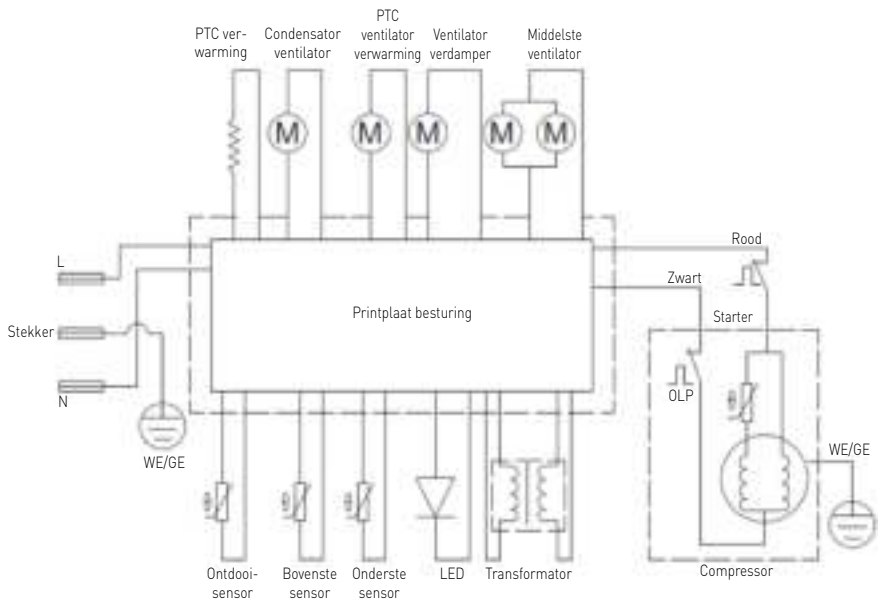
Elektrisch schema

237588, 237557



NL

237564, 237595



Garantie

Elk defect waardoor de werking van het apparaat nadelig wordt beïnvloed dat zich binnen één jaar na aankoop van het apparaat voordoet, wordt gratis hersteld door reparatie of vervanging, mits het apparaat conform de instructies gebruikt en onderhouden en niet op enigerlei wijze verkeerd is behandeld of misbruikt. Dit laat onverlet uw bij wet bepaalde rechten. Als de garantie van kracht

is, vermeld dan waar en wanneer u het apparaat hebt gekocht en sluit een aankoopbewijs bij (bijv. kassabon of factuur).

Gezien ons streven naar voortdurende verdere productontwikkeling behouden wij ons het recht voor, zonder voorafgaande kennisgeving wijzigingen aan te brengen aan product, verpakking en documentatie.

Verwijdering & milieu


Bij de buitengebruikstelling van het apparaat, mag het niet met het overige huisafval worden verwijderd. In plaats daarvan is het uw verantwoordelijkheid om uw afgedankte apparatuur in te leveren bij een daartoe aangewezen inzamelpunt. Het niet opvolgen van deze regel kan worden bestraft in overeenstemming met de geldende voorschriften voor afvalverwerking. De gescheiden inzameling en recycling van uw afgedankte apparatuur ten tijde van buitengebruikstelling helpt bij de instand-

houding van natuurlijke hulpbronnen en waarborgt dat de apparatuur wordt gerecycled op een manier die de volksgezondheid en het milieu beschermt. Voor meer informatie over waar u uw afval kunt inleveren voor recycling kunt u contact opnemen met uw lokale afvalverwerkingsbedrijf. De fabrikant en importeurs nemen geen verantwoordelijkheid voor de recycling, behandeling en ecologische verwijdering, hetzij rechtstreeks of via een openbaar systeem.

Drogi Kliencie,

Dziękujemy za zakup tego urządzenia Arctic. Przeczytaj uważnie tę instrukcję, zwracając szczególną uwagę na przepisy bezpieczeństwa przedstawione poniżej, przed zainstalowaniem i używaniem tego urządzenia po raz pierwszy.

Przepisy bezpieczeństwa

- Urządzenie przeznaczone do bufetu oraz do użytku domowego.
- Urządzenie należy używać wyłącznie zgodnie z przeznaczeniem, do którego zostało zaprojektowane zgodnie z opisem w niniejszej instrukcji.
- Producent nie ponosi odpowiedzialności za jakiegokolwiek szkody spowodowane nieprawidłowym działaniem i niewłaściwym użyciem.
- Przechowywać urządzenie i wtyczkę elektryczną z dala od wody i innych płynów. W przypadku, gdy urządzenie wpadnie do wody, natychmiast wyjmij wtyczkę zasilającą z gniazda. Nie używać urządzenia, dopóki nie zostanie sprawdzone przez certyfikowanego technika. Nieprzestrzeganie tych instrukcji spowoduje zagrożenie dla życia.
- Nigdy nie próbuj samodzielnie otwierać obudowy urządzenia.
- Nie wkładaj przedmiotów do obudowy urządzenia.
- Nie dotykać wtyczki mokrymi lub wilgotnymi dłońmi.
-  **NIEBEZPIECZEŃSTWO PORAŻENIA PRĄDEM!** Nie próbuj samodzielnie naprawiać urządzenia, naprawy mogą być wykonywane wyłącznie przez wykwalifikowany personel..
- **Nigdy nie używaj uszkodzonego urządzenia!** Po uszkodzeniu odłącz urządzenie od gniazda i skontaktuj się ze sprzedawcą.
- **OSTRZEŻENIE!** Nie zanurzaj części elektrycznych urządzenia w wodzie lub innych płynach.
- Nigdy nie trzymaj urządzenia pod bieżącą wodą.
- Regularnie sprawdzaj wtyczkę zasilającą i przewód pod kątem uszkodzeń. W przypadku uszkodzenia musi zostać zastąpiony przez agenta serwisowego lub podobnie wykwalifikowaną osobę w celu uniknięcia niebezpieczeństwa lub obrażeń.
- Upewnij się, że przewód nie styka się z ostrymi lub gorącymi przedmiotami i trzymaj go z dala od otwartego ognia. Nigdy nie pociągaj za przewód zasilający, aby odłączyć go od gniazda, zawsze za wtyczkę.
- Upewnij się, że przewód zasilający i/lub przedłużacz nie powodują zagrożenia przejazdem.
- Nigdy nie pozostawiaj urządzenia bez nadzoru podczas użytkowania.
- **OSTRZEŻENIE!** Dopóki wtyczka znajduje się w gnieździe, urządzenie jest podłączone do źródła zasilania.
- Wyłącz urządzenie przed odłączeniem go od gniazda.
- Podłącz wtyczkę do łatwo dostępnego gniazda elektrycznego, aby w nagłych wypadkach urządzenie mogło zostać natychmiast odłączone.
- Nigdy nie noś urządzenia za przewód.
- Nie należy używać żadnych dodatkowych urządzeń, które nie są dostarczane razem z urządzeniem.

- Podłącz urządzenie tylko do gniazdka elektrycznego z napięciem i częstotliwością wymienioną na etykiecie urządzenia.
- Nigdy nie używaj akcesoriów innych niż zalecane przez producenta. Niezastosowanie się do tego może stanowić zagrożenie dla bezpieczeństwa użytkownika i spowodować uszkodzenie urządzenia. Używaj tylko oryginalnych części i akcesoriów.
- Urządzenie to nie powinno być obsługiwane przez osoby o ograniczonych możliwościach fizycznych, sensorycznych lub umysłowych, ani osoby, które mają brak doświadczenia i wiedzy.
- Urządzenie to w żadnym wypadku nie powinno być używane przez dzieci.
- Przechowywać urządzenie i jego przewód zasilający w miejscu niedostępnym dla dzieci.
- **OSTRZEŻENIE:** ZAWSZE wyłączyć urządzenie i odłączyć od gniazdka elektrycznego przed czyszczeniem, konserwacją lub przechowywaniem.

Specjalne przepisy bezpieczeństwa

- Korzystaj z urządzenia wyłącznie zgodnie z niniejszą instrukcją.



UWAGA! Niebezpieczeństwo powstania ognia! W urządzeniu wykorzystywany jest czynnik chłodniczy R600a. Jest to przyjazny dla środowiska łatwopalny gaz ziemny. Nie jest szkodliwy dla warstwy ozonowej i nie ma wpływu na efekt cieplarniany. Wykorzystanie tego czynnika chłodniczego prowadzi jednak do nieznacznego podwyższenia poziomu hałasu wytwarzanego przez urządzenie. Poza hałasem generowanym przez sprężarkę, użytkownik może usłyszeć dźwięk spowodowany przepływem czynnika chłodniczego. Powyższego zjawiska nie da się uniknąć i nie ma on negatywnego wpływu na funkcjonowanie urządzenia. Podczas transportu i ustawiania urządzenia należy zachować szczególną ostrożność, by nie uszkodzić żadnych części systemu chłodniczego. Wyciekający czynnik chłodniczy może prowadzić do uszkodzenia oczu.

- **UWAGA!** W urządzeniu jako porofor izolacji użyto Cyklopentanu, który jest wysoce łatwopalny!
- Temperatura otoczenia w miejscu eksploatacji powinna mieścić się w zakresie od 16°C do 38 °C.
- Nie umieszczaj urządzenia na obiekcie emitującym ciepło (kuchenka gazowa, elektryczna, grill, itp.). Przechowuj urządzenie z dala od jakichkolwiek gorących powierzchni lub otwartego płomienia. Urządzenie powinno zostać ustawione i być obsługiwane na równej, stabilnej, czystej i suchej powierzchni, odpornej na działanie wysokich temperatur.
- Nie używaj urządzenia w pobliżu materiałów wybuchowych lub łatwopalnych, kart płatniczych, dysków magnetycznych lub radioodbiorników.
- Urządzenie nie jest przystosowane do obsługi za pomocą zewnętrznego timera lub oddzielnego systemu zdalnego sterowania.
- **OSTRZEŻENIE:** Nie zasłaniaj otworów wentylacyjnych obudowy urządzenia.
- **OSTRZEŻENIE:** Nie używaj przyrządów mechanicznych ani narzędzi innych niż zalecane przez producenta w celu przyspieszenia procesu rozmrażania.
- **OSTRZEŻENIE:** Nie wolno doprowadzić do uszkodzenia obiegu czynnika chłodniczego.

- Zapewnij co najmniej 10-centymetrową przestrzeń wokół urządzenia, celem umożliwienia odpowiedniej wentylacji podczas użytkowania.
- Nie czyść urządzenia strumieniem wody pod ciśnieniem ani przy pomocy myjki parowej, nie sputkuj urządzenia wodą, ponieważ doprowadzi to do zawilgocenia lub zamoczenia części wewnątrz urządzenia, co może skutkować porażeniem prądem.
- **UWAGA!** Odpowiednio poprowadź i zabezpiecz przewód zasilający, aby zapobiec przypadkowemu pociągnięciu lub kontaktowi z nagrzaną powierzchnią.
- Nie czyść ani nie umieszczaj urządzenia w miejscu przechowywania, zanim całkowicie nie ostygnie.
- Urządzenie nie powinno stać przechylone pod kątem większym niż 5°. Po przeprowadzeniu montażu urządzenia odczekaj 2 godziny przed podłączeniem go do źródła zasilania i uruchomieniem. Powyższe zalecenie dotyczy również sytuacji, gdy urządzenie jest w późniejszym terminie przestawiane w inne miejsce.

Przeznaczenie

- Urządzenie przeznaczone do bufetu oraz do użytku domowego.
- Urządzenie przeznaczone jest wyłącznie do przechowywania i chłodzenia wina (np. szampana, białego i czerwonego wina itp.). Użycie urządzenia w jakimkolwiek innym celu może prowadzić do jego uszkodzenia lub do obrażeń ciała.
- Wykorzystanie urządzenia w jakimkolwiek innym celu uznane będzie za wykorzystanie niezgodne z przeznaczeniem. Użytkownik będzie wyłącznie odpowiedzialny za nieprawidłowe wykorzystanie urządzenia.

Instalacja uziemienia

Urządzenie to jest klasyfikowane jako **klasa ochrony I** i musi być potączone z podłożem ochronnym. Uziemienie zmniejsza ryzyko porażenia prądem elektrycznym, dostarczając przewód ewakuacyjny dla prądu elektrycznego. To urządzenie jest wy-

posażone w przewód zasilający, który ma przewód uziemiający i uziemioną wtyczkę. Wtyczka musi być podłączona do gniazdka, które jest prawidłowo zainstalowane i uziemione.

Główne części urządzenia

1. Obudowa
2. Dotykowy panel sterowania (Patrz ==> Eksploatacja)
3. Ostona górnego zawiasu
4. Rama drzwi
5. Drewniane półki
6. Ostona dolnego zawiasu
7. Otwory wentylacyjne
8. Uchwyt drzwi
9. Regulowane stopki

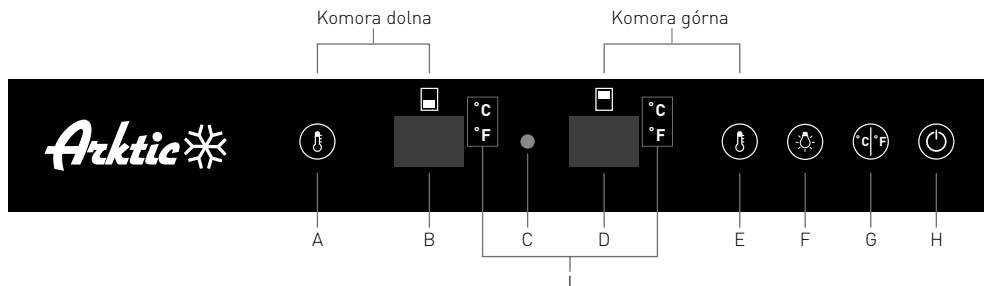


Wskazówki dotyczące instalacji

- Wyjmij urządzenie z kartonowego pudełka, zdejmij wewnętrzne i zewnętrzne opakowanie i zabezpieczenia.
- Sprawdź, czy urządzenie nie jest uszkodzone. W przypadku niepełnej dostawy lub uszkodzeń, NIE korzystaj z urządzenia. Skontaktuj się z dostawcą (patrz == > Gwarancja).
- Zachowaj opakowanie na wypadek konieczności spakowania urządzenia w przyszłości.
- Pozostaw urządzenie w pozycji pionowej przez ok. 2 godziny. Takie działanie ma na celu zmniejszenie zakresu nieprawidłowości w działaniu układu chłodzenia w przypadku niewłaściwego przeniesienia urządzenia podczas transportu.
- Umyj zewnętrzne powierzchnie miękką ściereczką zanurzoną w ciepłej wodzie. (Patrz ==> Czyszczenie i konserwacja).
- Umieść urządzenie na poziomej stabilnej powierzchni, odpornej na działanie wysokich temperatur i rozbryzgi wody.
- Robocza temperatura otoczenia powinna mieścić się w przedziale od 16°C do 38°C. W przeciwnym razie urządzenie może nie działać poprawnie.
- Zapewnij odpowiednią wentylację. Zapewnij co najmniej 10-centymetrowy odstęp wokół urządzenia. Nie zakrywaj otworów wentylacyjnych.
- W celu oszczędzania energii zawsze upewnij się, czy drzwi są zamknięte.

Eksploatacja

Urządzenie składa się z dwóch oddzielnych stref. Sterowanie „Komora górna” i „Komora dolna” urządzenia odbywa się oddzielnie za pomocą panelu sterowania.



Wskaźnik wyświetlacza:

- B: Wyświetlanie aktualnej temperatury w komorze dolnej.
- C: Kontrolka pracy sprężarki. Podczas pracy sprężarki świeci się czerwona lampka. Gdy urządzenie przestaje działać, czerwona lampka jest wyłączona.

- D: Wyświetlanie aktualnej temperatury w komorze górnej.
- I: Gdy kontrolka °C jest włączona, wskazuje temperaturę w stopniach Celsjusza; gdy kontrolka °F jest włączona, wskazuje temperaturę w stopniach Fahrenheita.

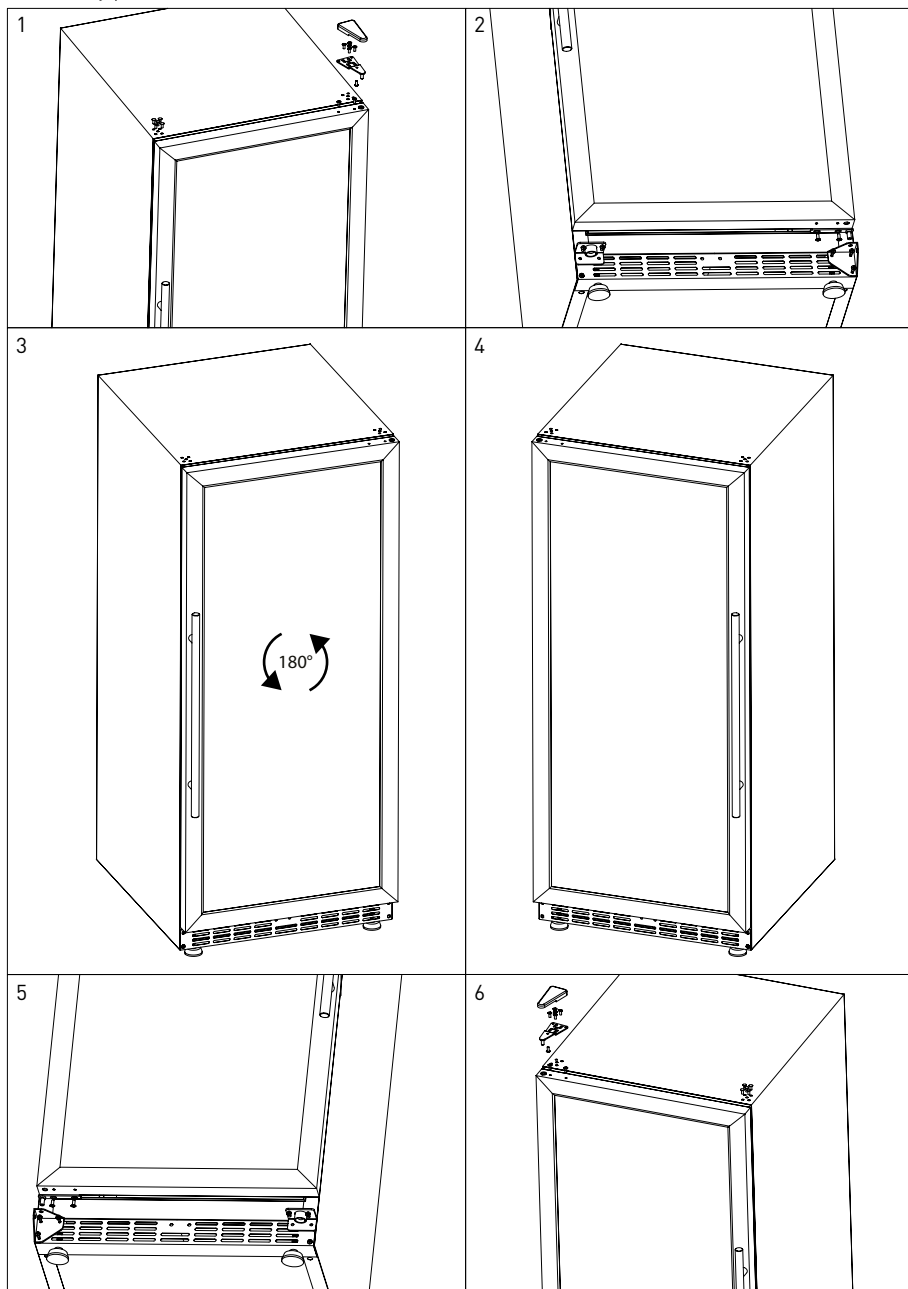
Sterowanie dotykowe:

- E: Przycisk ustawiania temperatury w komorze górnej; po naciśnięciu przycisku temperatura wzrasta o 1°C lub 1°F. Zakres ustawień wynosi od 5°C do 12°C lub od 41°F do 54°F.
- A: Przycisk ustawiania temperatury w komorze dolnej; po naciśnięciu przycisku temperatura wzrasta o 1°C lub 1°F. Zakres ustawień wynosi od 12°C do 22°C lub od 54°F do 72°F.

- F: Przycisk sterowania oświetleniem szafki
Uwaga: Po włączeniu światła wyłączy się ono automatycznie po 10 minutach, aby chronić wino znajdujące się w środku.
- G: Przycisk konwersji stopni Celsjusza/Fahrenheita
- H: Przycisk włączania i wyłączania; naciśnij i przytrzymaj przycisk przez 3 sekundy, urządzenie włączy się; naciśnij i przytrzymaj przycisk ponownie przez 3 sekundy, urządzenie wyłączy się.

Zmiana kierunku otwierania drzwi

- **PRZESTROGA!** Zabezpiecz szklane drzwiczki (brak zabezpieczenia w zestawie), aby uniknąć uszkodzenia.
- Drzwiczki mogą być wymieniane wyłącznie przez przeszkolony personel.
- Użytkownik ponosi wyłączną odpowiedzialność za uszkodzenia spowodowane zmianą kierunku otwierania drzwi.
- Postępuj zgodnie z poniższą procedurą roboczą:



Optymalna temperatura serwowania wina

Temperatura	Rodzaj wina	Kategoria wina
18°C (65°F)	Bogate, intensywne, dębowe, pieprzowe	Bordeaux, Cabernet Sauvignon, Shiraz
17°C (63°F)	Czerwone	Barolo, Burgundy Grand Cru
16°C (61°F)	Wina czerwone o średniej lub lekkiej budowie	Rioja, Pinot Noir, CDP
15°C (59°F)		Chianti, Zinfandel
14°C (57°F)		Chinon, Port, Madeira
13°C (55°F)		Dolcetto, Cotes Du Rhone
12°C (54°F)	Czerwone wina soczyste i owocowe	Beaujolais, Valpolicella
11°C (52°F)	Wina białe o mocnej budowie/dębowe	Białe burgundy
10°C (50°F)	Wina o średniej lub lekkiej budowie	Chardonnay, Sauternes
9°C (48°F)	Wina białe	Sauvignon Blanc, Chablis
8°C (47°F)	Wina słodkie i musujące	Szampany typu vintage
7°C (45°F)		
6°C (43°F)		Champagne NV, Prosecco, Cava, Asti

Uwaga: Powyższe dane mają charakter wyłącznie informacyjny.

Czyszczenie i konserwacja

Uwaga: Przed rozpoczęciem czyszczenia i umieszczeniem urządzenia w miejscu przechowywania, zawsze odłącz urządzenie od gniazdka sieciowego i odczekaj, aż kuchenka ostygnie.

Czyszczenie

- Umyj urządzenie przed i po każdym użyciu.
- Nigdy nie zanurzaj urządzenia w wodzie ani innych płynach.
- Nie czyść urządzenia strumieniem wody.
- Powierzchnie urządzenia czyść przy pomocy wilgotnej ściereczki lub gąbki, z niewielką ilością roztworu łagodnego środka myjącego.
- Wszystkie części urządzenia przemyj wodą, aby usunąć pozostałości środka czyszczącego.
- Nie używaj gąbek ściernych, detergentów, wetny stalowej ani metalowych przyborów do czyszczenia wewnętrznych lub zewnętrznych części urządzenia.
- Niezwłocznie po umyciu, osusz wewnętrzne i zewnętrzne powierzchnie urządzenia przy użyciu miękkiej ściereczki.

Przechowywanie

- Przed umieszczeniem w miejscu przechowywania zawsze upewnij się, czy urządzenie zostało odłączone od gniazdka sieciowego i całkowicie ostygło.
- Przechowuj urządzenie w chłodnym, czystym i suchym miejscu.

Transport

- Odłącz urządzenie od źródła zasilania wyjmując wtyczkę z gniazdka.
- Wyjmij z urządzenia wszystkie butelki z winem.
- Zabezpiecz taśmą wszystkie luźne przedmioty wewnątrz lub na zewnątrz urządzenia.
- Urządzenie powinny przenosić co najmniej 2 osoby.

Rozwiązywanie problemów

Jeśli urządzenie nie działa prawidłowo, zapoznaj się z poniższą tabelą w celu znalezienia prawidłowego rozwiązania. Jeśli nadal nie możesz rozwiązać problemu, skontaktuj się z dostawcą.

Problem	Możliwa przyczyna	Proponowane rozwiązanie
Urządzenie jest podłączone do źródła zasilania, ale nie uruchamia się.	1. Wtyczka nie jest prawidłowo podłączona do źródła zasilania.	1. Sprawdź, czy wtyczka jest prawidłowo podłączona do źródła zasilania.
	2. Uruchomił się wyłącznik przeciążeniowy lub przepalił się bezpiecznik.	2. Skontaktuj się z dostawcą.
Zbyt wysoka temperatura wewnątrz urządzenia	1. Ustawiona temperatura jest zbyt wysoka	1. Ustaw niższą temperaturę
	2. Drzwi były zbyt długo otwarte	2. Ogranicz otwieranie drzwi
	3. Uszczelka drzwi nie działa prawidłowo	3. Upewnij się, czy uszczelka gwarantuje prawidłowe zamknięcie drzwi.
Na wewnętrznych ściankach urządzenia zbiera się wilgoć.	1. Drzwi były zbyt długo otwarte.	1. Ogranicz otwieranie drzwi
Zbyt duże drgania.	1. Urządzenie nie jest ustawione poziomo.	1. Sprawdź poziom i wyreguluj stópki do momentu, kiedy chłodziarka do wina będzie wypoziomowana. (Niewielkie drgania są zjawiskiem normalnym)
Drzwiczki nie zamykają się prawidłowo.	1. Chłodziarka do wina nie jest ustawiona poziomo.	1. Sprawdź poziom i wyreguluj stópki do momentu, kiedy chłodziarka do wina będzie wypoziomowana.
	2. Drzwiczki zostały odwrócone i nie zostały prawidłowo zainstalowane.	2. Skontaktuj się z dostawcą.
	3. Półki nie znajdują się na swoim miejscu.	3. Sprawdź i ustaw półki we właściwej pozycji.

Wyświetlane kody błędów

Kody błędów widoczne na wyświetlaczu (B/D)	Wskazanie	Możliwa przyczyna	Proponowane rozwiązanie
Wyświetlane jest „E1” lub E2”	Awaria czujnika temperatury strefy górnej	1. Połączenie czujnika temperatury strefy górnej jest luźne.	Podłącz czujnik ponownie
		2. Czujnik temperatury strefy górnej jest uszkodzony.	Skontaktuj się z dostawcą.
Wyświetlane jest „E3” lub E4”	Awaria czujnika odszraniania	1. Połączenie czujnika odszraniania jest luźne.	Podłącz czujnik ponownie
		2. Czujnik odszraniania jest uszkodzony.	Skontaktuj się z dostawcą.
Wyświetlane jest „E7” lub E8”	Awaria czujnika temperatury strefy dolnej	1. Połączenie czujnika temperatury strefy dolnej jest luźne.	Podłącz czujnik ponownie
		2. Czujnik temperatury strefy dolnej jest uszkodzony.	Skontaktuj się z dostawcą.
Wyświetlany jest symbol „HH” i emitowany jest sygnał dźwiękowy	Alarm wysokiej temperatury (temperatura w szafce na wino powyżej 78,8°F/26°C)	1. Wyciek gazu.	Skontaktuj się z dostawcą.
		2. Miedziana rurka kapilarna na filtrze obok sprężarki jest zablokowana.	
		3. Wentylator parownika jest uszkodzony.	
Symbol „LL” miga i emitowany jest sygnał dźwiękowy. Sprężarka nie pracuje.	Alarm niskiej temperatury (temperatura w szafce na wino poniżej 32°F/0°C)	1. Wentylator grzałki jest zatrzymany.	1. Odłącz zasilanie i podłącz je ponownie po upływie 5 minut. 2. Skontaktuj się z dostawcą.
		2. Panel sterowania działa nieprawidłowo.	
		3. Grzałka jest uszkodzona.	

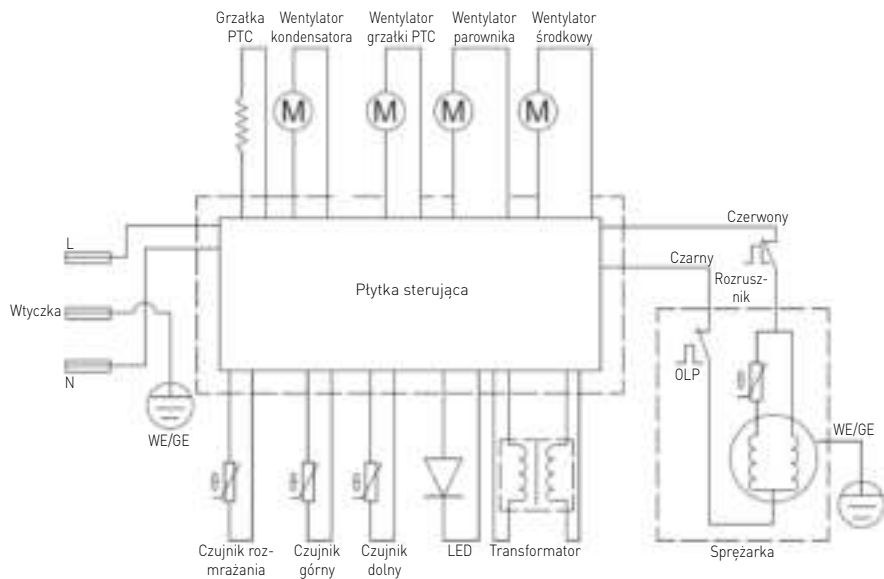
Specyfikacja techniczna

Nr produktu	237588	237557	237564	237595
Napięcie robocze i częstotliwość	220-240V~ 50Hz			
Znamionowy pobór mocy	90W	110W	130W	150W
Prąd znamionowy	0,5 A	0,6 A	0,7 A	0,9 A
Zakres temperatury	5°C do 22°C			
Klasa ochronności	Klasa I			
Moc światła	1,5 W			
Poziom hałasu	< 50 dB (A)			
Czynnik chłodniczy / ilość wtryskiwanego czynnika	R600a / 30g	R600a / 35g	R600a / 50g	R600a / 52g
Klasa energetyczna	G			
Porofor izolacji	Cyklopentan			
Klasa klimatyczna	N-ST (16°C do 38°C)			
Ilość stref temperaturowych	2			
Pojemność	133L	232L	387L	447L
Pojemność - liczba przechowywanych butelek	46 butelki	72 butelki	135 butelki	160 butelki
Ilość pótek	5	9	13	15
Waga netto (ok.)	49 kg	67 kg	93 kg	103 kg
Wymiary	595 x 588 x (wys.) 820mm	595 x 605 x (wys.) 1225mm	595 x 685 x (wys.) 1625mm	595 x 685 x (wys.) 1795mm

Uwaga: Specyfikacja techniczna może ulec zmianie bez uprzedzenia.

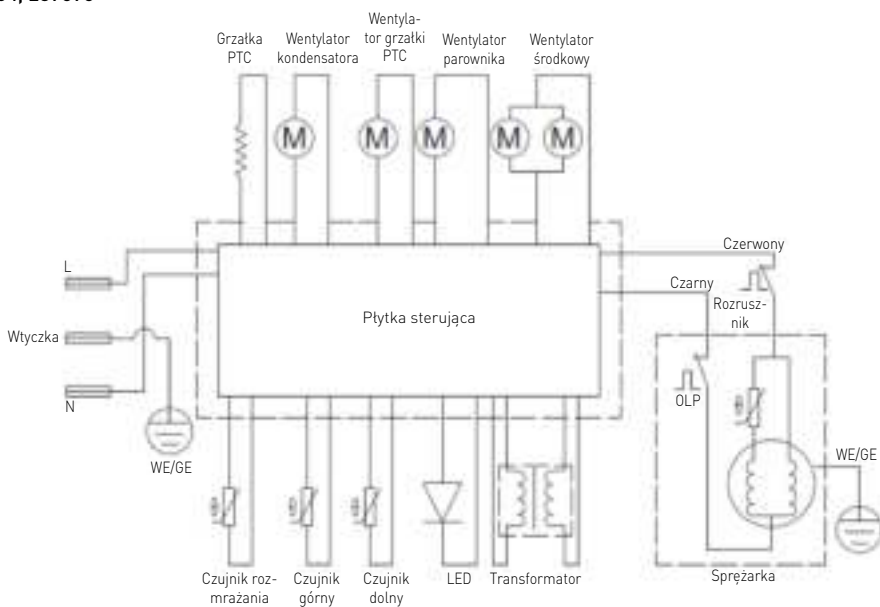
Schemat elektryczny

237588, 237557



PL

237564, 237595



Gwarancja

Każda wada bądź usterka powodująca niewłaściwe funkcjonowanie urządzenia, która ujawni się w ciągu jednego roku od daty zakupu, zostanie bezpłatnie usunięta lub urządzenie zostanie wymienione na nowe, o ile byto użytkowane i konserwowane zgodnie z instrukcją obsługi i nie byto wykorzystywane w niewłaściwy sposób lub niezgodnie z przeznaczeniem. Postanowienie to w żadnej mierze nie narusza innych praw użytkownika wynikających z przepisów prawa. W przypadku zgłoszenia urzą-

dzenia do naprawy lub wymiany w ramach gwarancji należy podać miejsce i datę zakupu urządzenia i dołączyć dowód zakupu (np. paragon).

Zgodnie z naszą polityką ciągłego doskonalenia wyrobów zastrzegamy sobie prawo do wprowadzania bez uprzedzenia zmian w wyrobie, opakowaniu oraz danych technicznych podawanych w dokumentacji.

Wycofanie z użytkowania i ochrona środowiska

Pamiętaj!

Nie wyrzucaj zużytego sprzętu łącznie z innymi odpadami

Nie demontuj zużytych urządzeń zawierających niebezpieczne składniki na własną rękę!

Groź Ci za to kary grzywny!

Po zakończeniu eksploatacji produktu nie wolno gromadzić razem z odpadami komunalnymi, tylko należy odstawić do punktu odbioru odpadów elektrycznych i elektronicznych. Użytkownik ponosi odpowiedzialność za przekazanie wycofanego z użytkowania urządzenia do punktu gospodarowania odpadami. Nieprzestrzeganie tej zasady może być karane zgodnie z lokalnie obowiązującymi przepisami dotyczącymi gospodarowania odpadami. Jeśli urządzenie wycofane z użytkowania jest poprawnie odebrane jako osobny odpad, może zostać przetworzone i zutylizowane w sposób przyjazny dla środowiska, co zmniejsza negatywny wpływ na środowisko i zdrowie ludzi. Aby uzyskać więcej informacji dotyczących dostępnych usług w zakresie odbioru odpadów, należy skontaktować się z lokalną firmą odbierającą odpady.



Symbol przekreślonego kosza na śmieci oznacza, że tego produktu nie wolno wyrzucać do zwykłych pojemników na odpady.

Zużyte urządzenia elektryczne i elektroniczne mogą zawierać niebezpieczne składniki np. rtęć, ołów, kadm lub freon. Jeśli tego typu substancje przedostaną się w sposób niekontrolowany do środowiska, spowodują skażenie wody i gleby, a także wpłyną niekorzystnie na zdrowie ludzi i zwierząt.


Właściwe postępowanie ze zużytym sprzętem zapobiega potencjalnym negatywnym konsekwencjom dla środowiska naturalnego i ludzkiego zdrowia.

Jednocześnie oszczędzamy naturalne zasoby naszej Ziemi wykorzystując powtórnie surowce uzyskane z przetwarzania sprzętu.

Cher client,

Merci d'avoir acheté cet appareil Arktic. Lisez attentivement ce manuel, en accordant une attention particulière aux règles de sécurité décrites ci-dessous, avant d'installer et d'utiliser cet appareil pour la première fois.

Règlement sur la sécurité

- Cet appareil est destiné pour des buffets et à un usage domestique.
- N'utilisez l'appareil qu'aux fins prévues pour lesquelles il a été conçu comme décrit dans le présent manuel.
- Le fabricant n'est pas responsable des dommages causés par un mauvais fonctionnement et une mauvaise utilisation.
- Gardez l'appareil et la prise électrique à l'écart de l'eau et des autres liquides. Dans le cas où l'appareil tombe dans l'eau, retirez immédiatement la prise d'alimentation de la prise. N'utilisez pas l'appareil tant qu'elle n'a pas été vérifiée par un technicien certifié. Si vous ne respectez pas ces instructions, vous risquez de mettre la vie en danger.
- N'essayez jamais d'ouvrir le boîtier de l'appareil par vous-même.
- N'insérez pas d'objets dans le boîtier de l'appareil.
- Ne touchez pas la prise avec les mains mouillées ou humides.
-  **DANGER DE CHOC ÉLECTRIQUE!** N'essayez pas de réparer l'appareil par vous-même, les réparations doivent être effectuées uniquement par du personnel qualifié.
- **N'utilisez jamais un appareil endommagé!** Lorsqu'il est endommagé, débranchez l'appareil de la prise et contactez le détaillant.
- **AVERTISSEMENT!** Ne pas immerger les parties électriques de l'appareil dans de l'eau ou d'autres liquides.
- Ne tenez jamais l'appareil sous l'eau courante.
- Vérifiez régulièrement la prise d'alimentation et le cordon pour tout dommage. Lorsqu'il est endommagé, il doit être remplacé par un agent de service ou une personne qualifiée de la même manière afin d'éviter un danger ou une blessure.
- Assurez-vous que le cordon n'entre pas en contact avec des objets tranchants ou chauds et maintenez-le à l'écart du feu ouvert. Ne tirez jamais le cordon d'alimentation pour le débrancher de la prise, tirez toujours la prise à la place.
- Assurez-vous que le cordon d'alimentation et/ou le rallonge ne présentent pas de risque de déclenchement.
- Ne laissez jamais l'appareil sans surveillance pendant l'utilisation.
- **AVERTISSEMENT!** Tant que la prise est dans la prise, l'appareil est connecté à la source d'alimentation.
- Éteignez l'appareil avant de le débrancher de la prise.
- Connectez la prise d'alimentation à une prise électrique facilement accessible afin qu'en cas d'urgence l'appareil puisse être débranché immédiatement.
- Ne portez jamais l'appareil par le cordon.

- N'utilisez pas de périphériques supplémentaires qui ne sont pas fournis avec la solution matérielle-logicielle.
- Connectez uniquement l'appareil à une prise électrique dont la tension et la fréquence sont indiquées sur l'étiquette de l'appareil.
- N'utilisez jamais d'accessoires autres que ceux recommandés par le fabricant. Le fait de ne pas le faire pourrait présenter un risque pour la sécurité de l'utilisateur et pourrait endommager l'appareil. Utilisez uniquement des pièces et accessoires d'origine.
- Cet appareil ne doit pas être utilisé par des personnes ayant des capacités physiques, sensorielles ou mentales réduites, ou par des personnes qui ont un manque d'expérience et de connaissances.
- Cet appareil ne doit en aucun cas être utilisé par des enfants.
- Gardez l'appareil et son cordon d'alimentation hors de portée des enfants.
- **ATTENTION:** éteignez TOUJOURS l'appareil et débranchez de la prise d'alimentation avant le nettoyage, l'entretien ou le stockage.

Règlement spécial sur la sécurité

- Utilisez l'appareil uniquement conformément aux présentes instructions.
-  **ATTENTION ! Danger d'incendie!** Dans l'appareil le réfrigérant R600a est utilisé. Ce réfrigérant n'est pas nocif pour la couche d'ozone et n'a aucun impact sur l'effet de serre. L'utilisation de ce type de réfrigérant conduit à une légère augmentation du niveau de bruit émis par l'appareil. Sauf le bruit généré par le compresseur, l'utilisateur peut entendre le son provoqué par le flux du réfrigérant. Ce phénomène ne peut pas être évité mais il n'a aucun effet négatif sur le fonctionnement de l'appareil. Pendant le transport et le positionnement de l'appareil faites une attention particulière pour ne pas endommager les composants du système de réfrigération. Une fuite de réfrigérant peut entraîner les lésions oculaires.
- L'isolant, qui a été utilisé dans cet appareil, est du Cyclopentane. Une substance hautement inflammable.
- La température ambiante dans l'endroit d'utilisation de l'appareil doit être comprise entre 16 et 38 ° C.
- Ne placez pas l'appareil sur un objet émettant de la chaleur (cuisinière à gaz, cuisinière électrique, barbecue, etc.). Gardez l'appareil à l'écart de toute surface chaude ou des flammes nues. L'appareil doit être installé et utilisé sur une surface plane, stable, propre et sèche, résistant aux températures élevées.
- N'utilisez pas l'appareil à proximité de matériaux explosifs ou inflammables, de cartes de paiement, de disques magnétiques ou de radios.
- L'appareil n'est pas conçu pour être utilisé avec une minuterie externe ou un système de télécommande séparé.
- **AVERTISSEMENT :** Ne couvrez pas les ouvertures de ventilation sur le boîtier.
- **AVERTISSEMENT :** N'utilisez pas d'appareils mécaniques ou d'outils autres que ceux recommandés par le fabricant pour accélérer le processus de dégivrage.
- **AVERTISSEMENT :** Faites attention à ne pas endommager le circuit du réfrigérant.

- Assurez au moins 10 centimètres d'espace autour de l'appareil pour garantir une ventilation adéquate pendant l'utilisation.
- Ne lavez pas l'appareil avec de l'eau ou un jet d'eau puissant. Le lavage de l'appareil peut provoquer la pénétration de l'eau dans des composants électriques et entraîner un choc électrique.
- **ATTENTION !** Faites passer et fixez correctement le câble d'alimentation pour éviter une traction accidentelle ou un contact avec la surface chauffée.
- Ne nettoyez pas et ne placez pas l'appareil dans un lieu de stockage jusqu'à ce qu'il ne soit pas complètement refroidi.
- L'appareil ne doit pas être incliné à un angle supérieur à 5°. Après l'installation de l'appareil, attendez 2 heures avant de connecter l'appareil à une source d'alimentation et avant de le mettre en marche. Cette recommandation vaut également lorsque l'appareil est déplacé dans un autre endroit.

Utilisation prévue

- Cet appareil est destiné pour des buffets et à un usage domestique.
- L'appareil est destiné uniquement au stockage et au refroidissement du vin (par exemple, champagne, vin blanc et rouge, etc.). L'utilisation de l'appareil à d'autres fins peut entraîner des dommages ou des blessures.
- L'utilisation de l'appareil à d'autres fins sera considérée comme une utilisation inappropriée. L'utilisateur sera seul responsable de l'utilisation incorrecte de l'appareil.

FR

Installation de mise à la terre

Cet appareil est classé dans la **classe de protection I** et doit être raccordé à un sol de protection. La mise à la terre réduit le risque de choc électrique en fournissant un fil d'évacuation pour le courant électrique. Cet appareil est équipé d'un cordon

d'alimentation muni d'un fil de mise à la terre et d'une prise mise à la terre. La fiche doit être branchée sur une prise correctement installée et mise à la terre.

Parties principales de l'appareil

1. Boîtier
2. Panneau de commande tactile (Voir ==> Fonctionnement)
3. Protection de la charnière supérieure
4. Cadre de la porte
5. Étagères en bois
6. Protection de la charnière inférieure
7. Ouvertures de ventilation
8. Poignée de la porte
9. Pieds réglables

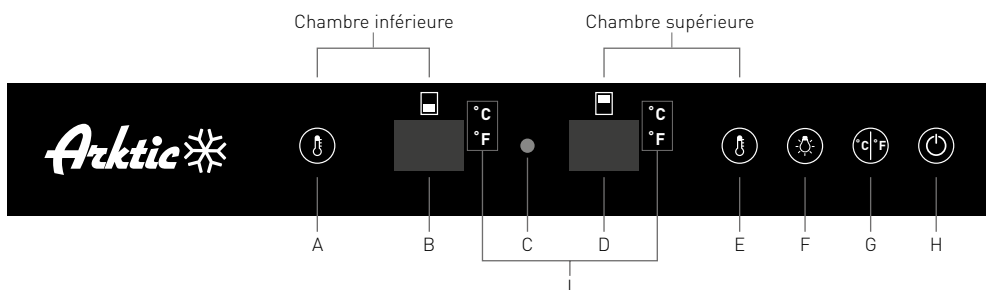


Instruction pour une installation

- Retirez l'appareil de la boîte en carton, retirez l'emballage intérieur et extérieur et la sécurité.
- Vérifiez si l'appareil est endommagé. En cas de livraison incomplète ou de dommage, NE PAS utiliser l'appareil et contactez le fournisseur (voir ==> Garantie).
- Conservez l'emballage si vous avez l'intention de stocker votre appareil à l'avenir.
- Laissez l'appareil en position verticale pendant environ 2 heures. Cette opération vise à réduire toutes irrégularités dans le fonctionnement du système de refroidissement en cas de mauvaise manipulation de l'appareil pendant le transport.
- Lavez les surfaces extérieures avec un chiffon doux et de l'eau tiède. (Voir ==> Nettoyage et entretien).
- Placez l'appareil sur une surface plane et stable, résistante aux hautes températures et aux projections d'eau.
- La température ambiante de travail doit être comprise entre 16 ° C et 38 ° C. Sinon, il est possible que l'appareil ne fonctionne pas correctement.
- Assurez une ventilation adéquate. Prévoyez un espace d'au moins 10 cm autour de l'appareil. Ne couvrez pas les ouvertures de ventilation.
- Pour économiser de l'énergie tenez toujours la porte fermée.

Fonctionnement

L'appareil se compose de deux zones séparées. « Chambre supérieure » et « Chambre inférieure » sont contrôlées séparément à l'aide du panneau de commande.



Indicateur d'affichage:

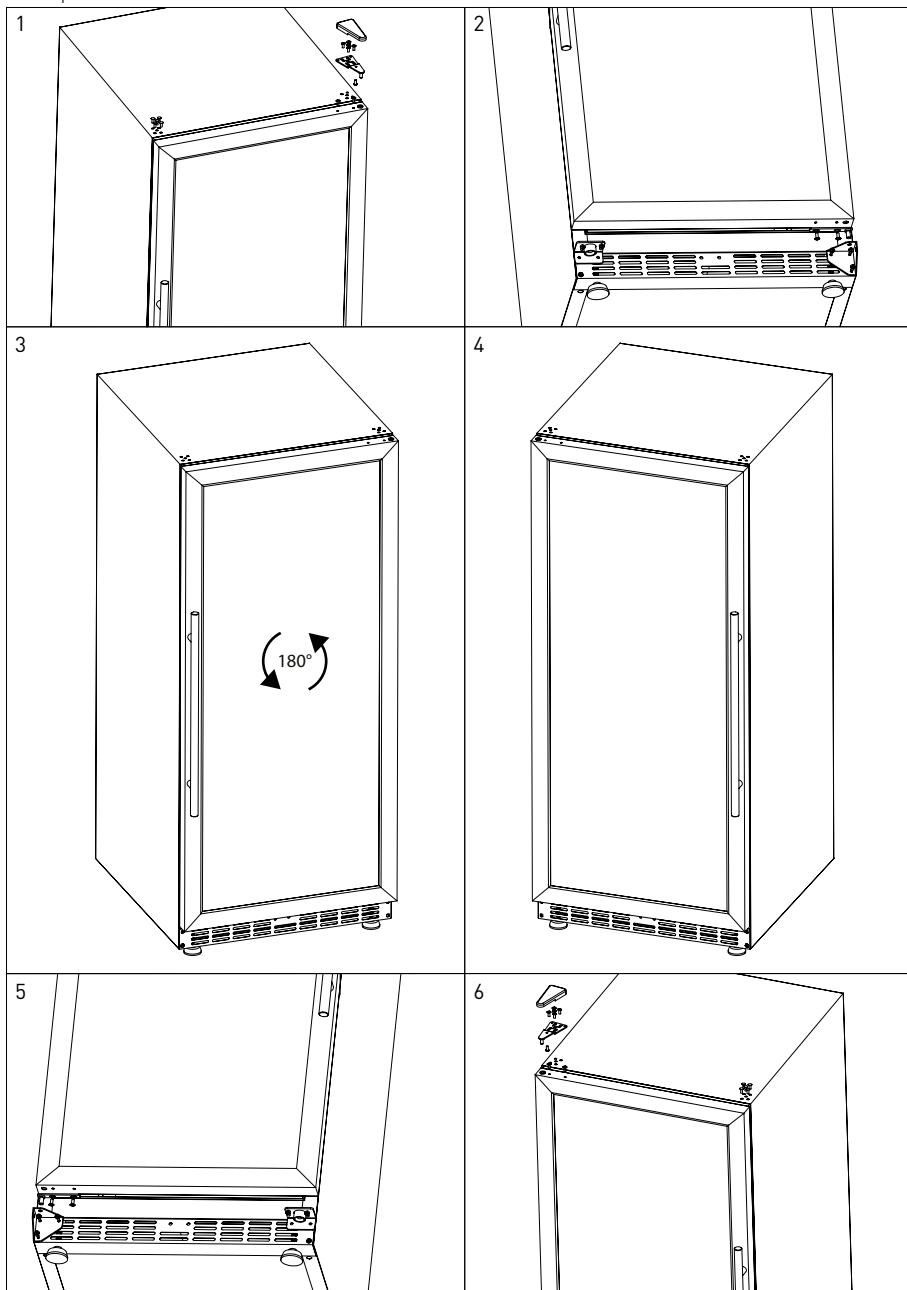
- B: Affichage de la température réelle de la chambre inférieure.
- C: Témoin lumineux du fonctionnement du compresseur. Lors du fonctionnement du compresseur, le voyant rouge est allumé. À l'arrêt de son fonctionnement, le voyant rouge est éteint.
- D: Affichage de la température réelle de la chambre supérieure.
- I: Lorsque le voyant °C est allumé, il indique la température en Celsius ; lorsque le voyant °F est allumé, il indique la température en Fahrenheit.

Contrôle tactile:

- E: Bouton de réglage de la température de la chambre supérieure ; lorsque vous appuyez sur le bouton, la température augmente de 1°C ou de 1F. La plage de réglage est comprise entre 5°C et 12°C ou 41°F et 54°F.
- A: Bouton de réglage de la température de la chambre inférieure ; lorsque vous avez appuyé sur le bouton, la température augmente de 1°C ou 1°F. La plage de réglage est comprise entre 12°C et 22°C ou 54°F et 72°F.
- F: Bouton de contrôle de l'éclairage de l'armoire
Remarque : Lorsque la lumière est allumée, elle s'éteindra automatiquement après 10 minutes afin de protéger les vins à l'intérieur.
- G: Bouton de conversion en degrés Celsius et Fahrenheit.
- H: Bouton de mise en marche et d'arrêt ; appuyez sur le bouton pendant 3 secondes, l'appareil se met en marche ; appuyez à nouveau pendant 3 secondes, il s'arrête.

Changement du sens d'ouverture de la porte

- **ATTENTION!** Prévoyez une protection (non fournie) pour la porte en verre afin d'éviter tout dommage.
- La porte ne peut être changée que par du personnel qualifié.
- L'utilisateur est seul responsable des dommages causés par le changement du sens d'ouverture de la porte.
- Suivez la procédure de travail ci-dessous :



La température optimale pour servir du vin

Température	Type de vin	Catégorie de vin
18°C (65°F)	Riche, intense, goût de chêne, poivre	Bordeaux, Cabernet Sauvignon, Shiraz
17°C (63°F)	Rouge	Barolo, Burgundy Grand Cru
16°C (61°F)	Vins rouges moyens ou légers	Rioja, Pinot Noir, CDP
15°C (59°F)		Chianti, Zinfandel
14°C (57°F)		Chinon, Port, Madeira
13°C (55°F)		Dolcetto, Côtes Du Rhône
12°C (54°F)	Vins rouges juteux et fruités	Beaujolais, Valpolicella
11°C (52°F)	Vins blanc forts/de chêne	Bourgogne blanc
10°C (50°F)	Vins moyens ou légers	Chardonnay, Sauternes
9°C (48°F)	Vins blancs	Sauvignon Blanc, Chablis
8°C (47°F)	Vins doux et mousseux	Champagne vintage
7°C (45°F)		
6°C (43°F)		Champagne NV, Prosecco, Cava, Asti

Attention : Les données ci-dessus sont présentée uniquement à titre informatif.

Nettoyage et entretien

Attention: Avant le nettoyage et l'entretien de l'appareil, débranchez l'appareil de la source d'alimentation en retirant la fiche de la prise électrique et attendez jusqu'à ce que l'appareil refroidisse complètement.

Nettoyage

- Lavez l'appareil avant et après chaque utilisation.
- N'immergez jamais l'appareil dans l'eau ou dans d'autres liquides.
- Ne nettoyez pas l'appareil avec un jet d'eau.
- Nettoyez la surface de l'appareil avec un chiffon ou une éponge humide, avec une petite quantité de détergent doux.
- Nettoyez toutes les parties de l'appareil avec de l'eau pour éliminer tout résidu d'agent de nettoyage.
- N'utilisez pas d'éponges abrasives, de détergents, de laine d'acier ou d'ustensiles en métal pour nettoyer les éléments à l'intérieur ou l'extérieur de l'appareil.
- Séchez les surfaces intérieures et extérieures de l'appareil avec un chiffon doux immédiatement après le lavage.

Stockage

- Assurez-vous toujours que l'appareil a été débranché de la prise d'alimentation et qu'il a complètement refroidi avant de le placer dans une zone de stockage.
- Gardez l'appareil dans un endroit frais, propre et sec.

Transport

- Débranchez l'appareil de la source d'alimentation en débranchant la prise électrique.
- Retirez toutes les bouteilles de vin de l'appareil.
- Fixez solidement avec du ruban adhésif tous les objets non fixés à l'intérieur ou à l'extérieur de l'appareil.
- L'appareil doit être transporté par au moins 2 personnes.

Résolution des problèmes

Si l'appareil ne fonctionne pas correctement, reportez-vous au tableau ci-dessous pour y trouver une solution. Si vous n'arrivez toujours pas à résoudre le problème, contactez votre distributeur/fournisseur.

Problème	Cause possible	Solution proposée
L'appareil est connecté à une source d'alimentation, mais il ne démarre pas.	1. La fiche n'est pas correctement connectée à la source d'alimentation.	1. Vérifiez que la fiche est correctement connectée à la source d'alimentation.
	2. L'interrupteur de surcharge s'est activé ou le fusible est défectueux.	2. Contactez votre fournisseur.
La température à l'intérieur de l'appareil est trop élevée	1. La température réglée est trop élevée	1. Réglez la température inférieure.
	2. La porte était ouverte trop longtemps	2. Limitez l'ouverture de la porte.
	3. Le joint d'étanchéité de la porte ne fonctionne pas correctement	3. Assurez-vous que le joint assure que la porte est correctement fermée.
L'humidité est accumulée sur les parois internes de l'appareil.	1. La porte était ouverte trop longtemps	1. Limitez l'ouverture de la porte.
Vibrations excessives.	1. L'appareil n'est pas placé sur une surface plane.	1. Vérifiez que l'endroit est plat et réglez les pieds jusqu'à ce que le refroidisseur à vin repose sur une surface plane. (Une légère vibration est normale)
La porte ne ferme pas correctement.	1. Le refroidisseur à vin placé sur une surface plane.	1. Vérifiez que l'endroit est plat et réglez les pieds jusqu'à ce que le refroidisseur à vin repose sur une surface plane.
	2. La porte a été retournée et est mal installée.	2. Contactez votre fournisseur.
	3. Les étagères ne sont pas positionnées.	3. Vérifiez et mettez les étagères dans la bonne position.

Codes d'erreur affichés

Codes d'erreur visibles sur l'écran d'affichage (B/D)	Indication	Cause possible	Solution proposée
« E1 » ou « E2 » s'affiche.	Défaillance du capteur de température de la zone supérieure	1. Il y a un faux contact du capteur de température de la zone supérieure.	Reconnectez le capteur.
		2. Le capteur de température de la zone supérieure est défectueux.	Contactez votre fournisseur.
« E3 » ou « E4 » s'affiche.	Défaillance du capteur de dégivrage	1. Il y a un faux contact du capteur de dégivrage.	Reconnectez le capteur.
		2. Le capteur de dégivrage est défectueux.	Contactez votre fournisseur.
« E7 » ou « E8 » s'affiche.	Défaillance du capteur de température de la zone inférieure	1. Il y a un faux contact du capteur de température de la zone inférieure.	Reconnectez le capteur.
		2. Le capteur de température de la zone inférieure est cassé.	Contactez votre fournisseur.
« HH » s'affiche avec un bip sonore.	Alarme de température élevée (la température dans l'armoire à vin dépasse 78,8°F/26°C)	1. Fuite de gaz.	Contactez votre fournisseur.
		2. Le tube capillaire en cuivre sur la crépine à côté du compresseur est bloqué.	
		3. Le ventilateur de l'évaporateur est défectueux.	
« LL » clignote avec un bip sonore et le compresseur s'arrête de fonctionner.	Alarme de basse température (température dans l'armoire à vin inférieure à 32°F/0°C)	1. Le ventilateur de chauffage est arrêté.	1. Débranchez l'alimentation et rebranchez-la après 5 minutes. 2. Contactez votre fournisseur.
		2. Le panneau de commande ne fonctionne pas correctement.	
		3. Le chauffage est défectueux.	

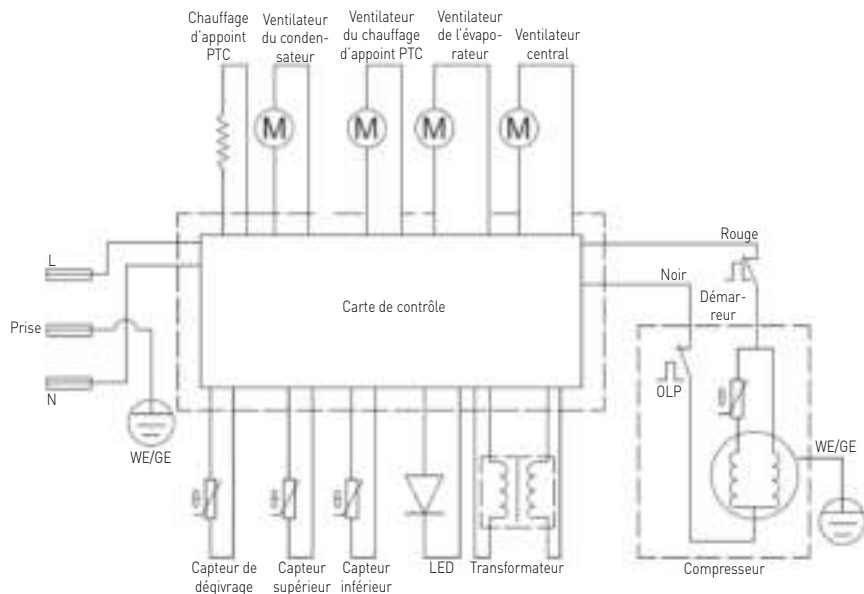
Caractéristiques techniques

Produit numéro	237588	237557	237564	237595
Tension et fréquence	220-240V~ 50Hz			
Consommation d'énergie nominale	90W	110W	130W	150W
Courant nominal	0,5 A	0,6 A	0,7 A	0,9 A
Plage de température	5°C à 22°C			
Classe de protection	Classe I			
Puissance de l'éclairage	1,5 W			
Niveau sonore	< 50 dB (A)			
Réfrigérant / quantité de réfrigérant	R600a / 30g	R600a / 35g	R600a / 50g	R600a / 52g
Classe énergétique	G			
Agent d'expansion inflammable	Cyclopentane			
Classe climatique	N-ST (16°C à 38°C)			
Nombre de zone de température	2			
Capacité	133L	232L	387L	447L
Capacité - nombre de bouteilles stockées	46 bouteilles	72 bouteilles	135 bouteilles	160 bouteilles
Nombre d'étagères	5	9	13	15
Poids net (env.)	49 kg	67 kg	93 kg	103 kg
Dimensions	595 x 588 x (hauteur)820mm	595 x 605 x (hauteur)1225mm	595 x 685 x (hauteur)1625mm	595 x 685 x (hauteur)1795mm

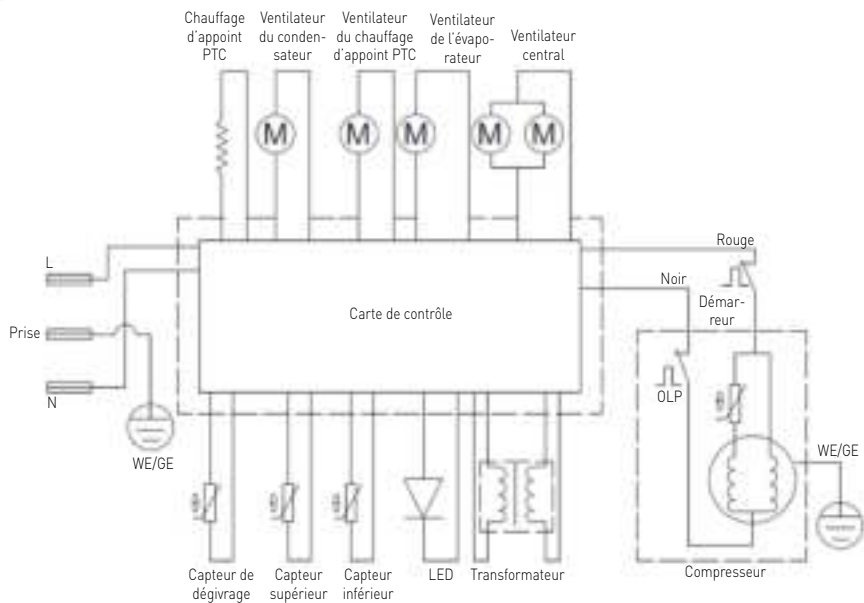
Remarque : Les caractéristiques techniques peuvent être modifiées sans préavis.

Schéma électrique

237588, 237557



237564, 237595



FR

Garantie

Tout vice ou toute défaillance entraînant un dysfonctionnement de l'appareil qui se déclare dans les 12 mois suivant la date de l'achat sera éliminé à titre gratuit ou l'appareil sera remplacé par un appareil nouveau si le premier a été dûment exploité et entretenu conformément aux termes de la notice d'exploitation et s'il n'a pas été indûment exploité ou de manière non conforme à sa destination. La présente stipulation ne porte pas de préjudice aux autres droits de l'utilisateur prévus par les dispositions légales. Dans le cas où l'appareil est donné à la réparation ou doit être remplacé

dans le cadre de la garantie, il y a lieu de spécifier le lieu et la date de l'achat de l'appareil et produire un justificatif nécessaire (par ex. facture ou ticket de caisse).

Conformément à notre politique d'amélioration permanente de nos produits, nous nous réservons le droit d'introduire sans avertissement préalable des modifications à l'appareil, à l'emballage et aux caractéristiques techniques précisées dans la documentation.

Élimination et protection de l'environnement

En cas de retrait du produit de l'exploitation l'appareil ne peut pas être jeté avec d'autres déchets ménagers. L'utilisateur est responsable de la remise de l'équipement au point de collecte approprié pour l'équipement usagé. Le non-respect des dispositions ci-dessus peut entraîner les pénalités conformément à la réglementation applicable en matière d'élimination des déchets. La collecte sélective et le recyclage des équipements usagés contribuent à la conservation des ressources natu-


relles et assurent un recyclage sans danger pour la santé et l'environnement.

Pour plus d'informations sur les endroits de collecte des équipements usagés pour le recyclage, contactez la société de collecte des déchets locale. Le producteur et l'importateur ne sont pas responsables du recyclage et du traitement des déchets d'une manière respectueuse de l'environnement directement et dans le système public.

Gentile Cliente,

Grazie per aver acquistato questo apparecchio Arktic. Leggere attentamente questo manuale, prestando particolare attenzione alle norme di sicurezza descritte di seguito, prima di installare e utilizzare questo apparecchio per la prima volta.

Norme di sicurezza

- Questo apparecchio è destinato al buffet e all'uso domestico.
- Utilizzare l'apparecchio solo per lo scopo previsto per il quale è stato progettato come descritto nel presente manuale.
- Il produttore non è responsabile per eventuali danni causati da un funzionamento scorretto e da un uso improprio.
- Tenere l'apparecchio e la spina elettrica lontano da acqua e altri liquidi. Nel caso in cui l'apparecchio cada in acqua, rimuovere immediatamente la spina di alimentazione dalla presa. Non utilizzare l'apparecchio fino a quando non è stato controllato da un tecnico certificato. Il mancato rispetto di queste istruzioni causerà rischi pericolosi per la vita.
- Non tentare mai di aprire l'alloggiamento dell'apparecchio da soli.
- Non inserire oggetti nell'alloggiamento dell'apparecchio.
- Non toccare la spina con le mani bagnate o umide.
-  **PERICOLO DI SCOSSE ELETTRICHE!** Non tentare di riparare l'apparecchio da solo, le riparazioni devono essere eseguite solo da personale qualificato.
- **Non utilizzare mai un apparecchio danneggiato!** Quando è danneggiato, scollegare l'apparecchio dalla presa e contattare il rivenditore.
- **AVVERTIMENTO!** Non immergere le parti elettriche dell'apparecchio in acqua o altri liquidi.
- Non tenere mai l'apparecchio sotto l'acqua corrente.
- Controllare regolarmente la spina e il cavo di alimentazione per eventuali danni. Se danneggiato, deve essere sostituito da un agente di servizio o da una persona altrettanto qualificata al fine di evitare pericoli o lesioni.
- Assicurarsi che il cavo non entri in contatto con oggetti appuntiti o caldi e tenerlo lontano dal fuoco aperto. Non tirare mai il cavo di alimentazione per scollegarlo dalla presa, staccare sempre la spina.
- Assicurarsi che il cavo di alimentazione e/o la prolunga non causino rischi di inciampare.
- Non lasciare mai l'apparecchio incustodito durante l'uso.
- **AVVERTIMENTO!** Finché la spina si trova nella presa, l'apparecchio è collegato alla fonte di alimentazione.
- Spegnerne l'apparecchio prima di scollegarlo dalla presa.
- Collegare la spina di alimentazione a una presa elettrica facilmente accessibile in modo che in caso di emergenza l'apparecchio possa essere scollegato immediatamente.
- Non portare mai l'apparecchio con il cavo.
- Non utilizzare dispositivi aggiuntivi non forniti insieme all'apparecchio.
- Collegare l'apparecchio a una presa elettrica solo con la tensione e la frequenza indicati sull'etichetta dell'apparecchio.

- Non utilizzare mai accessori diversi da quelli consigliati dal produttore. In caso contrario, potrebbe comportare un rischio per la sicurezza dell'utente e danneggiare l'apparecchio. Utilizzare solo parti e accessori originali.
- Questo apparecchio non deve essere utilizzato da persone con capacità fisiche, sensoriali o mentali ridotte o da persone che hanno una mancanza di esperienza e conoscenze.
- Questo apparecchio non deve, in nessun caso, essere utilizzato dai bambini.
- Tenere l'apparecchio e il suo cavo di alimentazione fuori dalla portata dei bambini.
- **ATTENZIONE:** spegnere SEMPRE l'apparecchio e scollegarlo dalla presa di corrente prima della pulizia, della manutenzione o della conservazione.

Norme speciali di sicurezza

- Utilizzare il dispositivo solo in conformità con queste istruzioni.
-  **ATTENZIONE ! Pericolo d'incendio!** Il refrigerante R600a è utilizzato nel dispositivo. È un gas infiammabile e sicuro per l'ambiente. Non è nocivo per lo strato di ozono e non ha alcun impatto sull'effetto serra. Però, l'uso di questo refrigerante provoca un leggero aumento del livello di rumore emesso dal dispositivo. Oltre al rumore generato dal compressore l'utente può sentire anche il rumore causato dal flusso di refrigerante. Il fenomeno sopra descritto non può essere evitato e non ha alcun effetto negativo sul funzionamento del dispositivo. Durante il trasporto e il posizionamento del dispositivo, si deve prestare particolare attenzione a non danneggiare alcuna parte del sistema di refrigerazione. La perdita di refrigerante può causare danni agli occhi.
- Nel dispositivo è utilizzato un agente schiumogeno (per schiumare la schiuma isolante) Ciclopentano. È un agente altamente infiammabile.
- La temperatura ambiente nel luogo di utilizzo del dispositivo deve essere compresa tra 16 ° C e 38 ° C.
- Non posizionare l'apparecchio su fonti di calore (fornello a gas, elettrico, grill ecc.). Evitare di tenere l'apparecchio vicino a fiamme libere. Il dispositivo deve trovarsi su una superficie piana, stabile, pulita, asciutta e resistente ad alte temperature.
- Non utilizzare materiali esplosivi o infiammabili, carte di credito, dischi magnetici o radio.
- Il dispositivo non è progettato per essere utilizzato con timer esterno o telecomando separato.
- **AVVERTENZA:** Non coprire le aperture di ventilazione dell'apparecchio.
- **AVVERTENZA:** Non utilizzare dispositivi meccanici o strumenti diversi da quelli consigliati dal fabbricante per accelerare il processo di scongelamento.
- **AVVERTENZA:** Prestare attenzione a non danneggiare il circuito del refrigerante.
- Mantenere uno spazio di almeno 10 centimetri attorno al dispositivo per garantire la ventilazione durante l'uso.
- Non pulire il dispositivo con un getto d'acqua sotto pressione o un pulitore a vapore, non risciacquare il dispositivo con acqua per evitare qualsiasi inumidimento o l'umidità del dispositivo, e il rischio di scosse elettriche.

- **ATTENZIONE!** Far passare e proteggere il cavo di alimentazione per evitare di strappare accidentalmente o per evitare il contatto con la superficie riscaldata.
- Non pulire o posizionare il dispositivo in un luogo di conservazione se non si è completamente raffreddato.
- L'apparecchio non deve essere inclinato di un angolo maggiore di 5°. Dopo l'installazione aspettare due ore prima di collegarlo ad una fonte di alimentazione e avviarlo. Questa raccomandazione si applica anche quando l'apparecchio è successivamente spostato in un altro luogo.

Uso previsto

- Questo apparecchio è destinato al buffet e all'uso domestico.
- Il dispositivo è destinato esclusivamente alla conservazione e al raffreddamento del vino (per es. champagne, vino bianco e rosso, ecc.). L'uso del dispositivo per qualsiasi altro scopo può causare danni o lesioni.
- L'uso del dispositivo per qualsiasi altro scopo sarà considerato un uso improprio. L'utente sarà l'unico responsabile per l'uso scorretto del dispositivo.

Installazione di messa a terra

Questo apparecchio è classificato come **classe di protezione I** e deve essere collegato a un terreno di protezione. La messa a terra riduce il rischio di scosse elettriche fornendo un filo di fuga per la corrente elettrica. Questo apparecchio è dotato di

un cavo di alimentazione che ha un cavo di messa a terra e una spina messa a terra. La spina deve essere collegata a una presa correttamente installata e messa a terra.

IT

Parti principali del dispositivo

1. Involucro
2. Pannello di controllo tattile (Vedere ==> Funzionamento)
3. Protezione della cerniera superiore
4. Telaio della porta
5. Ripiani di legno
6. Protezione della cerniera inferiore
7. Fori di ventilazione
8. Maniglia della porta
9. Piedini regolabili

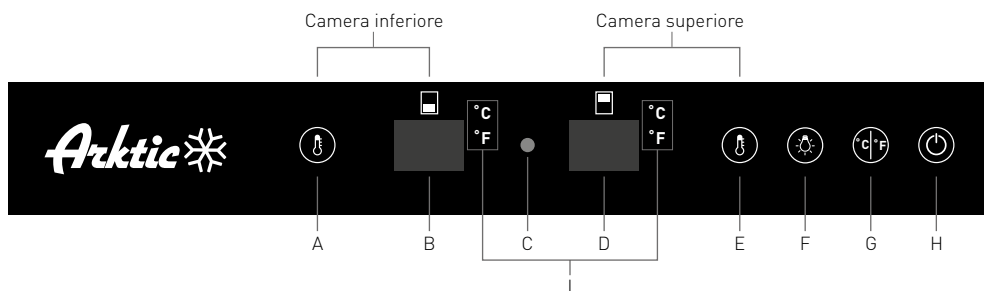


Informazione per l'installazione

- Rimuovere il dispositivo dalla scatola di cartone, ritirare l'imballaggio interno ed esterno e le protezioni.
- Controllare se il dispositivo è danneggiato. In caso di consegna incompleta o danni, NON utilizzare il dispositivo. Contattare il fornitore (vedere ==> Garanzia).
- Conservare la confezione se si intende riporre l'elettrodomestico in futuro.
- Lasciare il dispositivo in posizione verticale per circa 2 ore. Questa operazione dovrebbe ridurre le irregolarità nel funzionamento del sistema di raffreddamento in caso di spostamento improprio del dispositivo durante il trasporto.
- Lavare le superfici esterne con un panno morbido imbevuto di acqua tiepida. (Vedere ==> Pulizia e manutenzione).
- Collocare il dispositivo su una superficie piana e stabile resistente alle alte temperature e agli schizzi d'acqua.
- La temperatura ambiente di lavoro deve essere compresa tra 16 °C e 38 °C, altrimenti il dispositivo potrebbe non funzionare correttamente.
- Assicurare un'adeguata ventilazione. Fornire almeno uno spazio di 10 cm attorno al dispositivo. Non coprire le fori di ventilazione.
- Per risparmiare energia, tenere sempre la porta sia chiusa.

Funzionamento

Il dispositivo è costituito da due zone separate. Il controllo della "Camera superiore" e della "Camera inferiore" del dispositivo è effettuato separatamente tramite il pannello di controllo.



Spia del display:

B: Visualizza la temperatura attuale della camera inferiore.

C: Spia indicatrice del compressore in funzione. Mentre il compressore è in funzione, la spia rossa è accesa. Quando smette di funzionare, la spia rossa è spenta.

D: Visualizza la temperatura attuale della camera superiore.

I: Quando °C è acceso, indica la temperatura in gradi Celsius; quando °F è acceso, indica la temperatura in gradi Fahrenheit.

Controllo a sfioramento:

E: Pulsante di impostazione della temperatura della camera superiore; ogni volta che si preme il pulsante, la temperatura aumenta di 1°C o 1°F. L'intervallo di impostazione è 5°C-12°C o 41°F-54°F.

A: Pulsante di impostazione della temperatura della camera inferiore; ogni volta che si preme il pulsante, la temperatura aumenta di 1°C o 1°F. L'intervallo di impostazione è 12°C-22°C o 54°F-72°F.

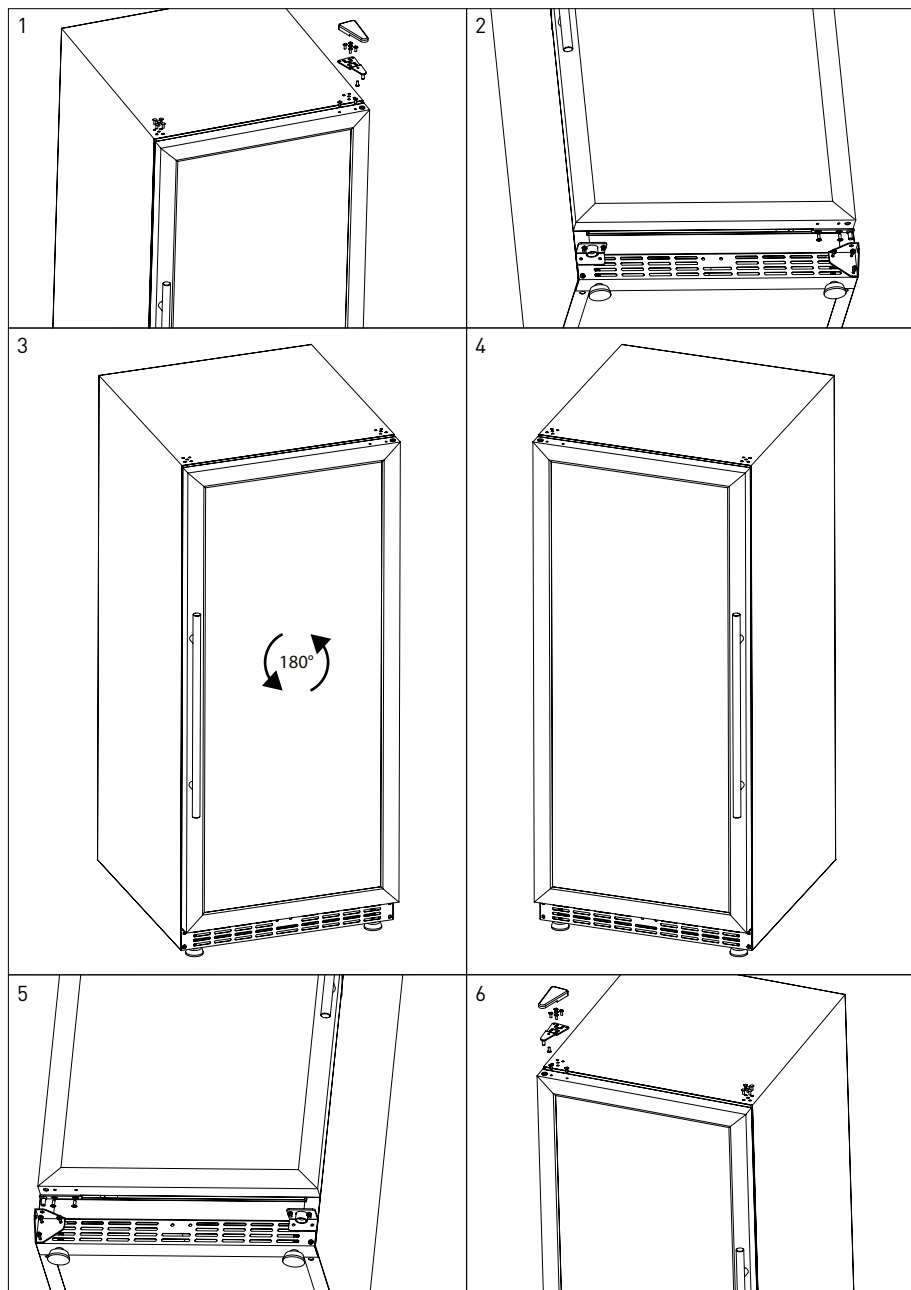
F: Pulsante di controllo della luce dell'armadio
Nota: Una volta accesa, la luce si spegnerà automaticamente dopo 10 minuti per proteggere i vini all'interno.

G: Pulsante di conversione Celsius e Fahrenheit

H: Pulsante di accensione e spegnimento; premere il pulsante per 3 secondi, si avvia; premerlo nuovamente per 3 secondi, si arresta.

Modificare il verso di apertura dello sportello

- **CAUTELA!** Usare protezioni (non in dotazione) per lo sportello in vetro, per evitare danni.
- Lo sportello può essere cambiato solo da personale appositamente formato.
- L'utente è l'unico responsabile di eventuali danni causati dalla modifica del verso di apertura dello sportello.
- Applicare la procedura operativa seguente:



La temperatura ottimale per servire vino

Temperatura	Tipo di vino	Categoria di vino
18°C (65°F)	Ricco, intenso, gusto di rovere, pepe	Bordeaux, Cabernet Sauvignon, Shiraz
17°C (63°F)	Rosso	Barolo, Borgogna Grand Cru
16°C (61°F)	Vini rossi, medi, leggeri	Rioja, Pinot Noir, CDP
15°C (59°F)		Chianti, Zinfandel
14°C (57°F)		Chinon, Port, Madeira
13°C (55°F)		Dolcetto, Côtes Du Rhône
12°C (54°F)	Vini rossi, succosi, fruttati	Beaujolais, Valpolicella
11°C (52°F)	Vini bianchi, forti/con gusto di quercia	Borgogna bianca
10°C (50°F)	Vini medi, leggeri	Chardonnay, Sauternes
9°C (48°F)	Vini bianchi	Sauvignon Blanc, Chablis
8°C (47°F)	Vini dolci e spumanti	Champagne tipo vintage
7°C (45°F)		
6°C (43°F)		Champagne NV, Prosecco, Cava, Asti

Nota: i dati sopra riportati sono presentati solo a scopo informativo.

Pulizia e manutenzione

Attenzione: Prima della pulizia o prima di mettere l'apparecchio in deposito, scollegare sempre l'apparecchio dalla presa di corrente e lasciare raffreddare il fornello.

Pulizia

- Lavare il dispositivo prima e dopo ogni utilizzo.
- Non immergere mai il dispositivo in acqua o altri liquidi.
- Non pulire il dispositivo con un getto d'acqua.
- Pulire la superficie del dispositivo con un panno umido o una spugna, con una piccola quantità di soluzione detergente delicata.
- Lavare tutte le parti del dispositivo con acqua per rimuovere eventuali residui di detergente.
- Non utilizzare spugne abrasive, detergenti, lana d'acciaio o utensili di metallo per pulire l'interno o l'esterno del dispositivo.
- Immediatamente dopo il lavaggio, asciugare le superfici interne ed esterne del dispositivo con un panno morbido.

Stoccaggio

- Prima di collocare il dispositivo in un'area di stoccaggio, assicurarsi sempre che esso sia stato scollegato dalla presa di alimentazione e si sia completamente raffreddato.
- Conservare il dispositivo in un luogo fresco, pulito e asciutto.

Trasporto

- Scollegare il dispositivo dalla presa di corrente rimuovendo la spina dalla presa.
- Rimuovere tutte le bottiglie di vino dal dispositivo.
- Fissare saldamente tutti gli oggetti allentati all'interno o all'esterno dell'apparecchio.
- Il dispositivo deve essere trasportato da almeno 2 persone.

Risoluzione dei problemi

Se l'apparecchio non funziona correttamente, leggere la tabella qui sotto per trovare la soluzione corretta. Se non è possibile risolvere il problema, contattare il rivenditore.

Problema	Causa possibile	Soluzione proposta
Il dispositivo è collegato a una fonte di alimentazione, ma non si avvia.	1. La spina non è collegata correttamente alla fonte di alimentazione.	1. Controllare se la spina è correttamente collegata alla fonte di alimentazione.
	2. L'interruttore di sovraccarico è stato attivato o il fusibile si è bruciato.	2. Contattare il fornitore.
La temperatura all'interno del dispositivo è troppo alta	1. La temperatura impostata è troppo alta.	1. Impostare una temperatura più bassa.
	2. La porta era aperta troppo a lungo.	2. Limitare l'apertura della porta.
	3. La guarnizione della porta non funziona correttamente.	3. Assicurarsi che la guarnizione garantisce la chiusura adeguata della porta.
L'umidità viene accumulata sulle pareti interne del dispositivo.	1. La porta era aperta troppo a lungo.	1. Limitare l'apertura della porta.
Troppe vibrazioni.	1. L'apparecchio non è posizionato a livello.	1. Controllare il livello e regolare i piedini fino a quando la cantinetta è in bolla. (Una leggera vibrazione è normale)
Lo sportello non si chiude correttamente.	1. La cantinetta non è posizionata a livello.	1. Controllare il livello e regolare i piedini fino a quando la cantinetta è in bolla.
	2. Lo sportello è stato invertito e non è installato correttamente.	2. Contattare il fornitore.
	3. I ripiani sono fuori posizione.	3. Controllare e mettere i ripiani in posizione corretta.

Codici di errore visualizzati

Codici di errori visualizzati sul display (B/D).	L'indicazione	Causa possibile	Soluzione proposta
"E1" o "E2" è visualizzata	Guasto del sensore di temperatura della zona superiore	1. Il collegamento del sensore di temperatura della zona superiore è allentato.	Ricollegare il sensore
		2. Il sensore di temperatura della zona superiore è difettoso.	Contattare il fornitore.
"E3" o "E4" è visualizzata	Guasto del sensore di sbrinamento	1. Il collegamento del sensore di sbrinamento è allentato.	Ricollegare il sensore
		2. Il sensore di sbrinamento è difettoso.	Contattare il fornitore.
"E7" o "E8" è visualizzata	Guasto del sensore di temperatura della zona inferiore	1. Il collegamento del sensore di temperatura della zona inferiore è allentato.	Ricollegare il sensore
		2. Il sensore di temperatura della zona inferiore è guasto.	Contattare il fornitore.
"HH" viene visualizzato con un segnale acustico	Allarme temperatura elevata (la temperatura nella cantinetta è superiore a 78,8°F/26°C)	1. Perdita di gas.	Contattare il fornitore.
		2. Il tubo capillare in rame sul filtro a lato del compressore è bloccato.	
		3. La ventola dell'evaporatore è difettosa.	
"LL" lampeggia con un segnale acustico e il funzionamento del compressore è arrestato.	Allarme bassa temperatura (la temperatura nella cantinetta è inferiore a 32°F/0°C)	1. La ventola del riscaldatore è arrestata.	1. Scollegare l'alimentazione e ricollegarla di nuovo dopo 5 minuti. 2. Contattare il fornitore.
		2. Il pannello di controllo è anormale.	
		3. Il riscaldatore è difettoso.	

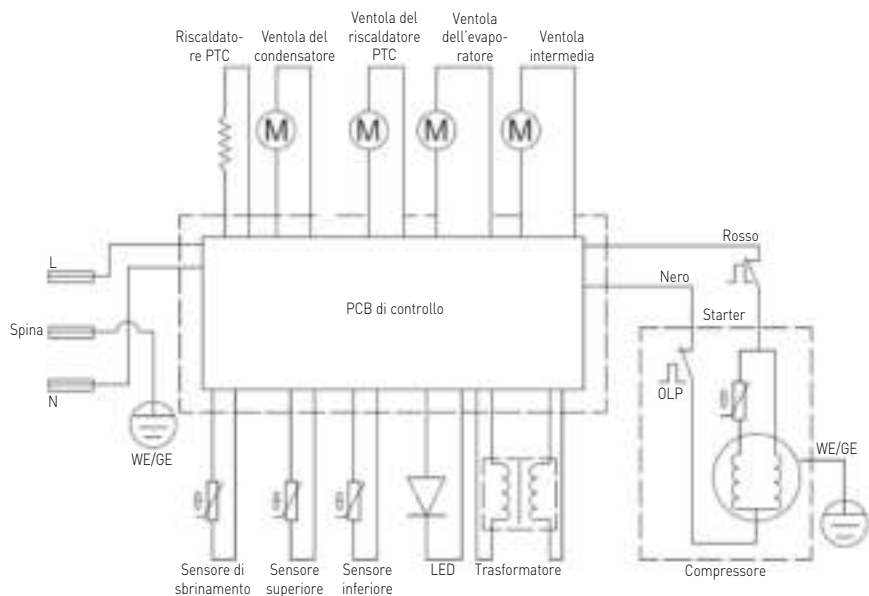
Specifiche tecniche

Prodotto numero	237588	237557	237564	237595
Tensione e frequenza	220-240V~ 50Hz			
Consumo di energia nominale	90W	110W	130W	150W
Corrente nominale	0,5 A	0,6 A	0,7 A	0,9 A
Intervallo di temperatura	5°C to 22°C			
Classe di protezione	Classe I			
Potenza della luce	1,5 W			
Livello di rumore	< 50 dB (A)			
Refrigerante / quantità di refrigerante	R600a / 30g	R600a / 35g	R600a / 50g	R600a / 52g
Classe energetica	G			
Agente schiumogeno infiammabile	Ciclopentano			
Classe climatica	N-ST (16°C to 38°C)			
Numero di zone di temperatura	2			
Capacità	133L	232L	387L	447L
Capacità - numero di bottiglie conservate	46 bottiglie	72 bottiglie	135 bottiglie	160 bottiglie
Numero di ripiani	5	9	13	15
Peso netto (circa):	49 kg	67 kg	93 kg	103 kg
Dimensioni	595 x 588 x (H)820mm	595 x 605 x (H)1225mm	595 x 685 x (H)1625mm	595 x 685 x (H)1795mm

Nota: Le specifiche tecniche sono soggette a modifiche senza preavviso.

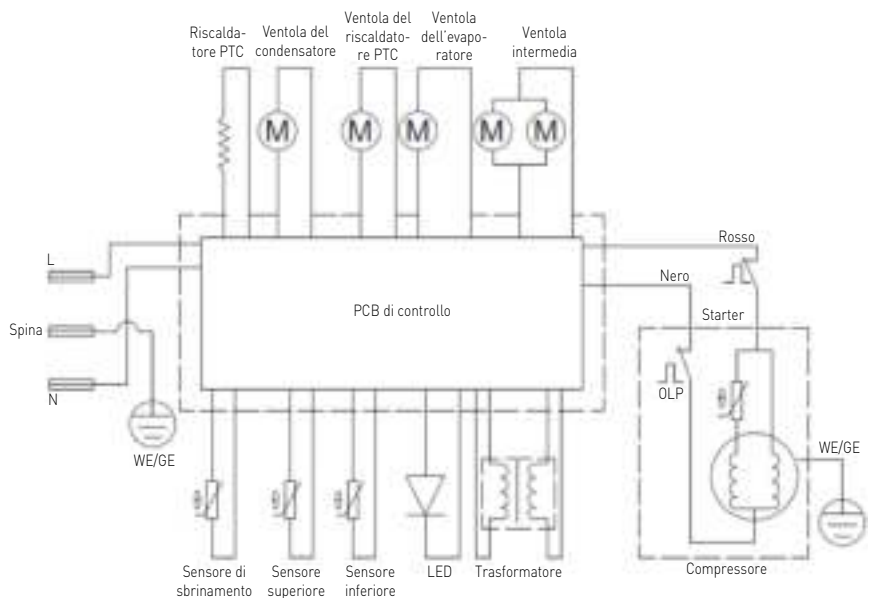
Schema elettrico

237588, 237557



IT

237564, 237595



Garanzia

Qualsiasi difetto che influenza la funzionalità del dispositivo che compaia entro un anno dall'acquisto sarà corretto a titolo interamente gratuito o con la sostituzione del prodotto che è stato utilizzato e sottoposto a manutenzione corretta seguendo le istruzioni, senza alcuna violazione. I diritti legali del cliente non sono assolutamente modificati. Nel caso in cui l'intervento di manutenzione o sostitu-

zione sia previsto nel periodo di validità della garanzia, precisare dove e quando si è acquistato il prodotto, possibilmente allegando lo scontrino.

In linea con la nostra politica di sviluppo continuo dei prodotti, ci riserviamo il diritto di modificare il prodotto, l'imballo e le specifiche di documentazione, senza notifica alcuna.

Smaltimento e protezione dell'ambiente

In caso di ritiro dell'apparecchiatura dal funzionamento il prodotto non può essere smaltito con altri rifiuti domestici. L'utente è responsabile della consegna dell'attrezzatura al punto di raccolta appropriato per l'attrezzatura usata. Il mancato rispetto delle disposizioni sopramenzionate può comportare l'imposizione di sanzioni in conformità con le normative vigenti in materia di smaltimento dei rifiuti. La raccolta e il riciclaggio selettivi di attrezzature usate contribuiscono alla conservazione delle risorse naturali e garantiscono il riciclaggio


in modo tale da non nuocere alla salute e all'ambiente.

Per ulteriori informazioni sui luoghi di smaltimento delle apparecchiature usate per il riciclaggio, contattare la società locale di raccolta dei rifiuti. Il produttore e l'importatore non sono responsabili per il riciclaggio e il trattamento dei rifiuti in modo ecologico, sia direttamente che nel quadro del sistema pubblico.

Stimate client,

Vă mulțumim pentru achiziționarea acestui aparat Arctic. Citiți cu atenție acest manual, acordând o atenție deosebită reglementărilor de siguranță prezentate mai jos, înainte de a instala și utiliza acest aparat pentru prima dată.

Regulile de siguranță

- Acest aparat este destinat uzului casnic și pentru bufet.
- Utilizați aparatul numai în scopul pentru care a fost proiectat conform descrierii din acest manual.
- Producătorul nu este răspunzător pentru nici o deteriorare cauzată de funcționarea incorectă și de utilizarea necorespunzătoare.
- Păstrați aparatul și ștecherul departe de apă și de alte lichide. În cazul în care aparatul cade în apă, scoateți imediat ștecherul de alimentare din priză. Nu utilizați aparatul înainte de verificarea acestuia de către un tehnician certificat. Nerespectarea acestor instrucțiuni va cauza riscuri care pun viața în pericol.
- Nu încercați niciodată să deschideți singur carcasa aparatului.
- Nu introduceți obiecte în carcasa aparatului.
- Nu atingeți ștecherul cu mâinile umede sau umede.
-  **PERICOL DE ȘOC ELECTRIC!** Nu încercați să reparați singur aparatul, reparațiile trebuie efectuate numai de personal calificat.
- **Nu folosiți niciodată un aparat deteriorat!** Când este deteriorat, deconectați aparatul de la priză și contactați distribuitorul.
- **AVERTISMENT!** Nu scufundați părțile electrice ale aparatului în apă sau alte lichide.
- Nu țineți niciodată aparatul sub jet de apă.
- Verificați cu regularitate ștecherul și cablul de alimentare pentru orice deteriorare. În cazul deteriorării, acesta trebuie înlocuit de un agent de service sau de o persoană calificată în mod similar, pentru a evita pericolul sau rănirea.
- Asigurați-vă că cablul nu intră în contact cu obiecte ascuțite sau fierbinți și păstrați-l departe de focul deschis. Nu trageți niciodată cablul de alimentare pentru a-l deconecta de la priză, trageți întotdeauna ștecherul în schimb.
- Asigurați-vă că cablul de alimentare și/sau cablul prelungitor nu provoacă pericol de deplasare.
- Nu lăsați niciodată aparatul nesupravegheat în timpul utilizării.
- **AVERTISMENT!** Atâta timp cât ștecherul este în priză, aparatul este conectat la sursa de alimentare.
- Opriti aparatul înainte de a-l deconecta de la priză.
- Conectați ștecherul la o priză electrică ușor accesibilă, astfel încât, în caz de urgență, aparatul să poată fi deconectat imediat.
- Nu purtați niciodată aparatul de cablu.
- Nu utilizați dispozitive suplimentare care nu sunt furnizate împreună cu aparatul.
- Conectați aparatul numai la o priză electrică cu tensiunea și frecvența menționate pe

eticheta aparatului.

- Nu folosiți niciodată alte accesorii decât cele recomandate de producător. Nerespectarea acestui lucru ar putea reprezenta un risc de siguranță pentru utilizator și ar putea deteriora aparatul. Utilizați numai piese originale și accesorii.
- Acest aparat nu trebuie operat de persoane cu capacități fizice, senzoriale sau mentale reduse sau de persoane care au o lipsă de experiență și cunoștințe.
- Acest aparat nu ar trebui, în nici un caz, să fie utilizat de copii.
- Nu lăsați aparatul și cablul de alimentare la îndemâna copiilor.
- **AVERTISMENT:** Opriti întotdeauna aparatul și deconectați de la priză înainte de curățare, întreținere sau depozitare.

Regulamente speciale de siguranță

- Utilizați aparatul doar în conformitate cu indicațiile din acest manual.



ATENȚIE! Risc de incendiu! Agentul frigorific utilizat este R600a. Acesta este un gaz natural inflamabil fără efecte adverse asupra mediului. Nu afectează stratul de ozon și nu amplifică efectul de seră. Utilizarea acestui agent frigorific a condus însă la o creștere ușoară în nivelul de zgomot al aparatului.

În afară de zgomotul produs de compresor, este posibil să auziți și curgerea agentului frigorific prin sistem. Acest lucru este inevitabil și nu are un efect negativ asupra performanțelor aparatului. Trebuie întotdeauna avută grijă la transportarea și instalarea aparatului, în așa fel încât niciuna din părțile sistemului de răcire să nu fie avariate. Scurgerile de agent frigorific pot vătăma ochii.

- Agentul de suflare a spumei folosit în acest aparat este Ciclopentan. Acesta este foarte inflamabil.
- Acest aparat funcționează la o temperatură ambientală de la 16 °C până la 38 °C.
- Nu puneți aparatul pe un obiect de încălzire (aparat de gătit cu benzină, electric, cărbune etc.) Mențineți aparatul la distanță de orice suprafețe fierbinți și de flăcări deschise. Utilizați și așezați întotdeauna aparatul pe o suprafață orizontală, stabilă, curată, termorezistentă și uscată.
- Nu utilizați aparatul în apropierea materialelor explozibile sau inflamabile, cardurilor de credit, discurilor magnetice sau radiourilor.
- Acest aparat nu este construit spre a fi utilizat cu ajutorul unui cronometru extern sau al unui sistem de control separat.
- **AVERTISMENT:** Nu obstrucționați orificiile pentru ventilație de pe carcasa aparatului.
- **AVERTISMENT:** Nu utilizați instrumente mecanice sau alte mijloace pentru a accelera dezghețarea, altele decât cele recomandate de producător.
- **AVERTISMENT:** Nu deteriorați circuitul agentului frigorific.
- În timpul utilizării, lăsați cel puțin 10 cm în jurul aparatului ca spațiu de ventilație.
- Nu folosiți niciodată jeturi de apă, nu turnați apă direct peste aparat și nu curățați aparatul cu abur, deoarece piesele se vor uda și acest lucru va conduce la electrocutare.
- **ATENȚIE!** Așezați protejat cablul de alimentare dacă este nevoie, pentru a împiedica tragerea neintenționată sau contactul cu suprafața de încălzire.

- Nu curățați și nu depozitați aparatul decât după ce s-a răcit complet.
- Aparatul nu trebuie înclinat la mai mult de 5°. După ce ați instalat aparatul așteptați 2 ore înainte de a-l conecta la sursa de curent și de a-l porni. Același lucru este valabil și dacă aparatul este ulterior mutat.

Utilizare preconizată

- Acest aparat este destinat uzului casnic și pentru bufet.
- Aparatul este proiectat doar pentru păstrarea și răcirea vinului (de ex. șampaniei, vinului alb, vinului roșu etc.). Orice altă utilizare poate provoca avarierea aparatului sau accidentarea persoanelor.
- Utilizarea aparatului în orice alt scop reprezintă o utilizare incorectă. Utilizatorul este singurul răspunzător de orice utilizare incorectă a aparatului.

Instalare împământare

Acest aparat este clasificat ca **clasa de protecție I** și trebuie conectat la un sol de protecție. Împământarea reduce riscul de șoc electric prin furnizarea unui cablu de evacuare pentru curentul

electric. Acest aparat este echipat cu un cablu de alimentare care are un fir de împământare și ștecher cu împământare. Ștecherul trebuie conectat la o priză instalată și împământată corespunzător.

Principalele componente ale aparatului

1. Corpul carcasei
2. Panou de comandă tactil (Vezi => Utilizare)
3. Capac superior cu balama
4. Cadru de ușă
5. Rafturi din lemn
6. Capac inferior cu balama
7. Orificii de ventilație
8. Mânerul ușii
9. Picioare reglabile



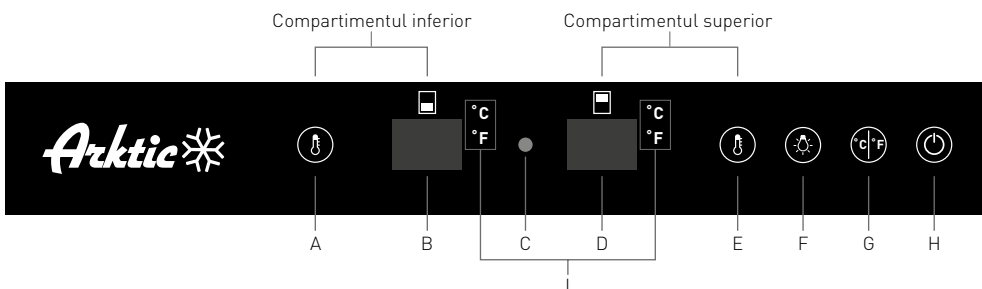
Instrucțiuni de instalare

- Scoateți aparatul din cutia de carton și apoi îndepărtați ambalajul și învelitorile externe și interne.
- Asigurați-vă că aparatul nu este deteriorat. În cazul în care livrarea este incompletă sau dacă există avarii, NU utilizați aparatul. Luați legătura cu furnizorul (Vezi == > Garanția).
- Lăsați aparatul în poziție verticală timp de aproximativ 2 ore. Acest lucru reduce funcționarea defectuoasă a sistemului de răcire cauzată de manipularea neadecvată din timpul transportului.
- Curățați suprafața interioară cu apă caldă și o lavetă moale. (Vezi == > Curățarea și întreținerea).

- Amplasați aparatul pe o suprafață orizontală, stabilă și rezistentă la căldură, cu protecție la stropirea cu apă.
- Temperatura ambientală optimă de lucru este între 16 °C și 32 °C. În caz contrar, funcționalitatea va fi limitată.
- Asigurați-vă că există suficientă ventilație. Păstrați o distanță de minimum 10 cm în jurul aparatului. Nu blocați orificiile de ventilație.
- Pentru a economisi energie, asigurați-vă întotdeauna că este închisă ușa.

Utilizare

Aparatul este împărțit în 2 zone distincte. Aparatul are o „Compartimentul superior” și o „Compartimentul inferior” controlate independent prin intermediul panoului de comandă.



Afișaj:

B: Afișarea temperaturii efective din compartimentul inferior.

C: Lumina ce indică funcționarea compresorului. Cât timp compresorul funcționează, lumina roșie este aprinsă. Când acesta se oprește din funcționare, lumina roșie este stinsă

D: Afișarea temperaturii efective din compartimentul superior.

I: Când lumina °C este aprinsă, temperatura este indicată în grade Celsius; Când lumina °F este aprinsă, temperatura este indicată în grade Fahrenheit.

Comenzi tactile:

E: Buton de reglare a temperaturii în compartimentul superior; La apăsarea butonului temperatura reglată crește cu 1°C sau cu 1°F. Domeniul de reglaj este între 5°C~12°C sau 41°F~54°F.

A: Buton de reglare a temperaturii în compartimentul inferior; La apăsarea butonului temperatura reglată crește cu 1°C sau cu 1°F. Domeniul de reglaj este între 12°C~22°C sau 54°F~72°F.

F: Buton iluminat compartiment

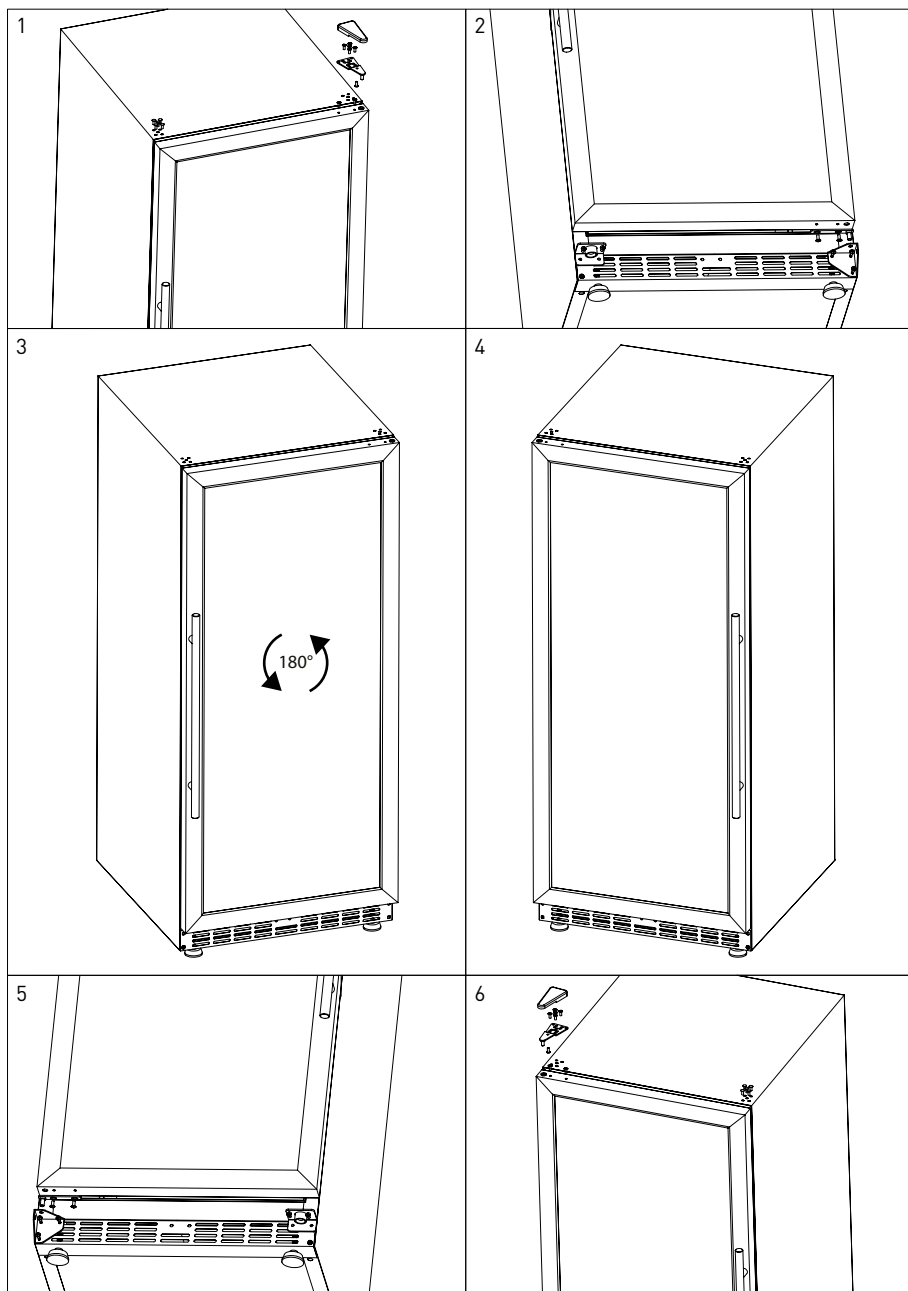
Notă: Odată ce lumina este aprinsă, aceasta se va stinge automat după 10 minute în scopul de a proteja vinurile din interior.

G: Buton comutare între grade Celsius și Fahrenheit

H: Buton pornire și oprire; Apăsăți butonul timp de 3 secunde pentru pornire, apăsați-l din nou, timp de 3 secunde pentru oprire.

Modificarea direcției de deschidere a ușii

- **ATENȚIE!** Utilizați protecție (nu este furnizată) pentru ușa de sticlă, pentru a evita deteriorarea.
- Ușa poate fi modificată doar de către personal instruit.
- Utilizatorul va fi unicul responsabil pentru deteriorări datorate modificării direcției de deschidere a ușii.
- Urmați procedura de lucru de mai jos:



Temperatura optimă de servire a vinului

Temperatură	Tipul de vin	Categoria de vin
18°C (65°F)	Bogate, intense, cu aromă de stejar, piper	Bordeaux, Cabernet Sauvignon, Shiraz
17°C (63°F)	Vinuri roșii	Barolo, Burgundy Grand Cru
16°C (61°F)	Vinuri roșii demiseci spre dulci	Rioja, Pinot Noir, CDP
15°C (59°F)		Chianti, Zinfandel
14°C (57°F)		Chinon, Port, Madeira
13°C (55°F)		Dolcetto, Cotes Du Rhone
12°C (54°F)	Vinuri roșii vibrante, fructate	Beaujolais, Valpolicella
11°C (52°F)	Vinuri albe seci/păstrate în stejar	Burgundy Alb
10°C (50°F)	Vinuri demiseci spre dulci	Chardonnay, Sauternes
9°C (48°F)	Vinuri albe	Sauvignon Blanc, Chablis
8°C (47°F)	Vinuri dulci și spumante	Șampanii maturate
7°C (45°F)		
6°C (43°F)		Champagne NV, Prosecco, Cava, Asti

Observație: Tabelul de mai sus este oferit doar pentru referințe.

Curățarea și întreținerea

Atenție: Scoateți întotdeauna aparatul din priză și lăsați-l să se răcească complet înainte de curățare și depozitare.

Curățarea

- Curățați aparatul înainte și după fiecare utilizare.
- Nu scufundați niciodată aparatul în apă sau în alte lichide.
- Nu curățați aparatul cu jet de apă.
- Curățați suprafața cu o lavetă ușor umezită sau cu un burete cu o soluție diluată de săpun
- Toate piesele care au fost spălate trebuie clătite cu apă curată pentru a îndepărta reziduurile de curățare.
- Nu folosiți niciodată bureți sau detergenți abrazivi, bureți de sârmă sau ustensile metalice pentru a curăța părțile interioare sau exterioare ale aparatului.
- Uscați suprafețele interioare și exterioare cu o cârpă moale.

Depozitarea

- Asigurați-vă întotdeauna înainte de depozitare că aparatul a fost deconectat de la sursa de alimentare și s-a răcit complet.
- Depozitați aparatul într-un loc răcoros, curat și uscat.

Transportul

- Deconectați aparatul de la priza electrică.
- Scoateți toate sticlele de vin din interiorul aparatului.
- Fixați cu bandă adezivă toate elementele nefixate din interiorul sau de pe exteriorul aparatului.
- Sunt necesare cel puțin 2 persoane pentru asistență în timpul transportului.

Depanarea

Dacă aparatul nu funcționează bine, consultați tabelul de mai jos pentru a găsi soluția. Dacă tot nu puteți rezolva problema, luați legătura cu furnizorul/agentul de service.

Probleme	Cauze posibile	Soluții posibile
Aparatul este conectat la alimentarea electrică, dar nu funcționează.	1. Aparatul nu este conectat în mod corect la priza de alimentare.	1. Verificați încă o dată dacă legătura s-a făcut corect.
	2. Întrerupătorul de circuit s-a declanșat sau s-a ars o siguranță.	2. Contactați furnizorul.
Temperatura din interiorul aparatului este prea ridicată	1. Temperatura configurată este prea ridicată	1. Selectați o valoare mai scăzută.
	2. Ușa a fost ținută deschisă un timp îndelungat.	2. Deschideți mai rar ușa.
	3. Garnitura ușii nu mai etanșează corespunzător.	3. Verificați pentru a vă asigura că garnitura etanșează corect.
Se formează condens pe pereții interiori ai aparatului.	1. Ușa este ținută deschisă un timp îndelungat.	1. Deschideți ușa mai puțin.
Vibrații prea mari.	1. Aparatul nu este amplasat perfect orizontal.	1. Verificați înclinarea și reglați picioarele până când răcitorul de vinuri este în poziție perfect orizontală. (Vibrațiile minore sunt normale)
Ușa nu se închide corespunzător	1. Răcitorul de vinuri nu este amplasat perfect orizontal.	1. Verificați înclinarea și reglați picioarele până când răcitorul de vinuri este în poziție perfect orizontală.
	2. Ușa a fost inversată și nu a fost instalată corespunzător.	2. Contactați furnizorul.
	3. Rafturile nu sunt în poziția corectă.	3. Verificați și puneți rafturile în poziția corectă.

Afișarea codurilor de eroare

Coduri de eroare afișate pe ecran (B/D)	Indicație	Cauze posibile	Soluții posibile
Se afișează "E1" sau E2"	Eroare senzor temperatură zona superioară	1. Conexiunea senzorului de temperatură pentru zona superioară este slăbită.	Reconectați senzorul
		2. Senzorul de temperatură pentru zona superioară este defect.	Contactați furnizorul.
Se afișează "E3" sau E4"	Eroare senzor decongelare	1. Conexiunea senzorului pentru decongelare este slăbită.	Reconectați senzorul
		2. Senzorul pentru decongelare este defect.	Contactați furnizorul.
Se afișează "E7" sau E8"	Eroare senzor temperatură zona inferioară	1. Conexiunea senzorului de temperatură pentru zona inferioară este slăbită.	Reconectați senzorul
		2. Senzorul de temperatură pentru zona inferioară este defect.	Contactați furnizorul.
Se afișează "HH", însoțit de o alarmă sonoră	Alarmă temperatură mare (temperatura din compartimentul de vinuri este de peste 78.8°F/26°C)	1. Scurgeri de gaz.	Contactați furnizorul.
		2. Tubul capilar de cupru de pe sita din spatele compresorului este blocat.	
		3. Ventilatorul evaporatorului este defect.	
Se afișează intermitent "LL", însoțit de o alarmă sonoră iar compresorul este oprit.	Alarmă temperatură mică (temperatura din compartimentul de vinuri este de sub 32°F/0°C)	1. Ventilatorul încălzitorului este oprit.	1. Deconectați alimentarea și conectați-o din nou după 5 minute. 2. Contactați furnizorul.
		2. Panoul de comandă este în stare anormală.	
		3. Încălzitorul este defect.	

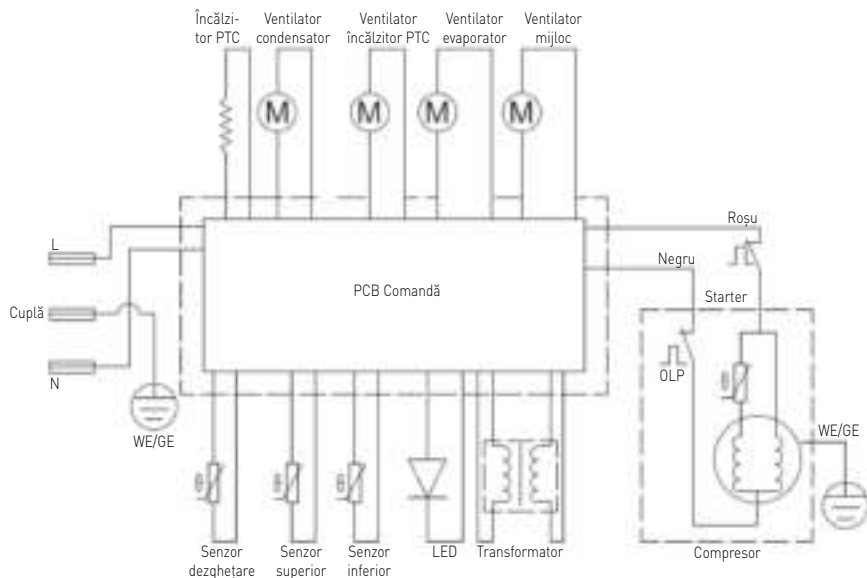
Specificația tehnică

Articol nr.	237588	237557	237564	237595
Tensiune și frecvență de funcționare	220-240V- 50Hz			
Puterea nominală de intrare	90W	110W	130W	150W
Intensitatea nominală	0,5 A	0,6 A	0,7 A	0,9 A
Configurarea intervalului de temperatură	de la 5°C până la 22°C			
Clasa de protecție	Clasa I			
Puterea corpului de iluminat	1,5 W			
Nivel sonor	< 50 dB (A)			
Agentul frigorific utilizat și cantitatea injectată	R600a / 30g	R600a / 35g	R600a / 50g	R600a / 52g
Clasa de eficiență energetică	G			
Agent de spumare inflamabil	Ciclopentan			
Clasa de climă	N-ST (de la 16°C până la 38°C)			
Nr. de zone de temperatură	2			
Capacitatea volumetrică	133L	232L	387L	447L
Capacitatea de depozitare sticle	46 sticle	72 sticle	135 sticle	160 sticle
Nr. de rafturi	5	9	13	15
Greutate netă (aprox.)	49 kg	67 kg	93 kg	103 kg
Dimensiune	595 x 588 x (H)820mm	595 x 605 x (H)1225mm	595 x 685 x (H)1625mm	595 x 685 x (H)1795mm

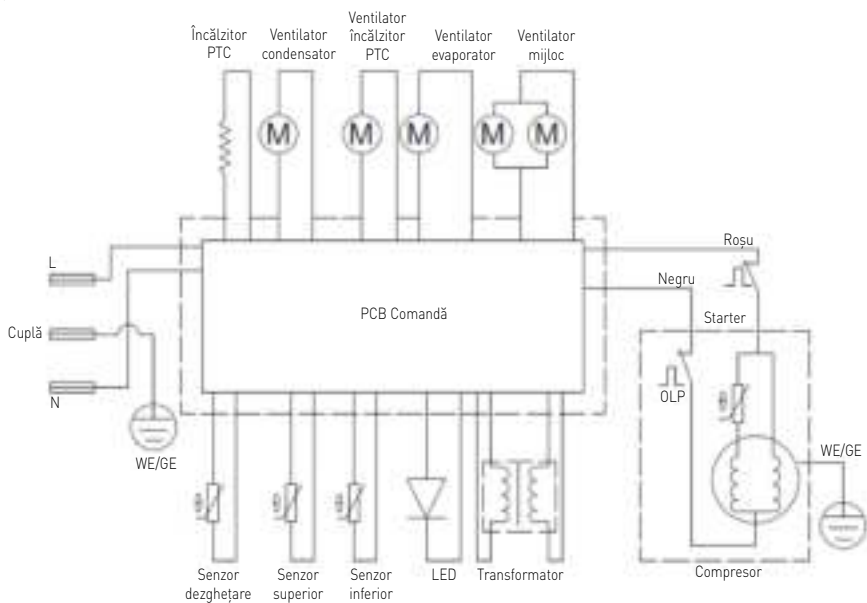
Observații: Specificația tehnică poate fi modificată fără preaviz.

Schema electrică

237588, 237557



237564, 237595



RO

Garanție

Orice defecțiune care afectează funcționarea aparatului apărută la mai puțin de un an de la cumpărarea acestuia va fi remediată prin reparație sau înlocuire gratuită, cu condiția ca aparatul să fi fost folosit și întreținut conform instrucțiunilor nu să nu fi fost bruscat sau folosit necorespunzător în vreun fel. Drepturile dumneavoastră legale nu sunt afec-

tate. Dacă aparatul este în garanție, menționați când și de unde a fost cumpărat și includeți dovada cumpărării (de ex. chitanța).

Conform politicii noastre de dezvoltare continuă a produsului, ne rezervăm dreptul de a modifica produsul, ambalajul și documentația fără notificare.

Eliminarea și mediul înconjurător

La dezafectarea aparatului, produsul nu trebuie aruncat împreună cu alte deșeuri menajere. În schimb, este responsabilitatea dumneavoastră să eliminați echipamentul uzat prin predarea acestuia la un punct de colectare desemnat. Nerespectarea acestei reguli poate fi penalizată în conformitate cu reglementările aplicabile privind eliminarea deșeurilor. Colectarea separată și reciclarea echipamentului dumneavoastră uzat la momentul debarasării contribuie la conservarea resurselor naturale și asigură realizarea reciclării într-un mod care protejează sănătatea ființelor umane și a mediului.

Pentru informații suplimentare privind modul în care puteți preda deșeurile dumneavoastră în scopul reciclării, vă rugăm să contactați compania locală de colectare a deșeurilor. Producătorii și importatorii nu își asumă responsabilitatea cu privire la reciclarea, tratarea și eliminarea ecologică a deșeurilor, fie direct, fie prin intermediul unui sistem public.

Благодарим Вас за покупку этого устройства Arctic. Внимательно прочитайте это руководство, обращая особое внимание на правила безопасности, изложенные ниже, перед установкой и использованием этого устройства в первый раз.

Правила безопасности

- Это оборудование предназначено для буфета и домашнего использования.
- Используйте прибор только по назначению, для которого он был разработан, как описано в данном руководстве.
- Изготовитель не несет ответственности за любой ущерб, вызванный неправильной работой и неправильным использованием.
- Держите прибор и электрическую вилку подальше от воды и других жидкостей. В случае, если прибор попадает в воду, немедленно снимите вилку питания с розетки. Не используйте устройство до тех пор, пока оно не будет проверено сертифицированным техническим специалистом. Несоблюдение этих инструкций приведет к угрожающей жизни опасности.
- Никогда не пытайтесь открыть корпус прибора самостоятельно.
- Не вставляйте объекты в корпус прибора.
- Не прикасайтесь к вилке мокрыми или влажными руками.
-  **ОПАСНОСТЬ ПОРАЖЕНИЯ ЭЛЕКТРИЧЕСКИМ ТОКОМ!** Не пытайтесь самостоятельно отремонтировать прибор, ремонт должен проводиться только квалифицированный персонал.
- **Никогда не используйте поврежденный прибор!** Когда устройство повреждено, отсоедините устройство от розетки и обратитесь к продавцу.
- **ПРЕДУПРЕЖДЕНИЕ!** Не погружайте электрические части прибора в воду или другие жидкости.
- Никогда не удерживайте прибор под проточной водой.
- Регулярно проверяйте штекер питания и шнур на наличие повреждений. В случае повреждения его необходимо заменить сервисным агентом или лицом, имеющим аналогичную квалификацию, с тем чтобы избежать опасности или травм.
- Убедитесь, что шнур не соприкасается с острыми или горячими предметами и держите его подальше от открытого огня. Никогда не тяните шнур питания, чтобы отсоединить его от розетки, всегда тяните вилку вместо нее.
- Убедитесь, что шнур питания и/или удлинитель не вызывают опасности аварии.
- Никогда не оставляйте прибор без присмотра во время использования.
- **ПРЕДУПРЕЖДЕНИЕ!** Пока штекер находится в розетке, прибор подключается к источнику питания.
- Выключите устройство, прежде чем отсоединить его от розетки.
- Подключите вилку питания к легкодоступной электрической розетке, чтобы в случае аварийной ситуации устройство можно было немедленно отключить.
- Никогда не носите прибор за шнур.

- Не используйте дополнительные устройства, которые не поставляются вместе с устройством.
- Подключите прибор только к электрической розетке с напряжением и частотой, указанными на этикетке устройства.
- Никогда не используйте аксессуары, кроме тех, которые рекомендованы производителем. Невыполнение этого требования может представлять опасность для безопасности пользователя и привести к повреждению устройства. Используйте только оригинальные детали и аксессуары.
- Этот прибор не должен эксплуатироваться лицами с ограниченными физическими, сенсорными или умственными возможностями, или лицами, не имеющими опыта и знаний.
- Этот прибор ни при каких обстоятельствах не должен использоваться детьми.
- Держите устройство и его шнур питания в недоступном для детей месте.
- **ПРЕДУПРЕЖДЕНИЕ:** ВСЕГДА выключите устройство и отключите розетку от розетки перед очисткой, обслуживанием или хранением.

Специальные правила безопасности

- Используйте устройство только в соответствии с этим руководством.
-  **ВНИМАНИЕ! Опасность пожара!** В устройстве используется хладагент R600a. Это экологически чистый горючий газ. Он не вреден для озонового слоя и не влияет на парниковый эффект. Однако использование этого хладагента приводит к небольшому увеличению уровня шума, создаваемого устройством. Кроме шума, создаваемого компрессором, пользователь может слышать звук, вызванный потоком хладагента. Этого явления нельзя избежать и он не оказывает негативного влияния на функционирование устройства. Во время транспортировки и установки устройства следует соблюдать особую осторожность, чтобы не повредить какие-либо части холодильной системы. Утечка хладагента может привести к повреждению глаз.
- В устройстве используется пенообразующее вещество (средство вспенивающее изолирующую пену) Циклопентан и оно легковоспламеняющееся.
- Температура окружающей среды в месте использования должна быть в пределах диапазона от 16°C до 38 °C.
- Не размещайте устройство на объекте, который излучает тепло (газовая или электрическая плита, гриль и т.п.). Держите устройство подальше от любых горячих поверхностей и открытого пламени. Устройство следует установить и эксплуатировать на ровной, стабильной, чистой и сухой поверхности, устойчивой к высоким температурам.
- Не используйте устройство вблизи взрывчатых или легковоспламеняющихся материалов, платежных карт, магнитных дисков или радиоприемников.
- Устройство не приспособлено для управления с помощью внешнего таймера или отдельной системы дистанционного управления.
- **ПРЕДУПРЕЖДЕНИЕ:** Не закрывайте вентиляционные отверстия корпуса устройства.

- **ПРЕДУПРЕЖДЕНИЕ:** Не используйте механические устройства или инструменты, отличающиеся от рекомендованных производителем, чтобы ускорить процесс размораживания.
- **ПРЕДУПРЕЖДЕНИЕ:** Нельзя привести к повреждению контура хладагента.
- Обеспечьте по крайней мере 10-сантиметровое пространство вокруг устройства, для обеспечения достаточной вентиляции во время пользования.
- Не чистите устройство с помощью струи воды под давлением или пароочистителя, не промывайте устройство водой, так как это приведет к увлажнению деталей внутри устройства, что может привести к поражению электрическим током.
- **ВНИМАНИЕ!** Правильно уложите и закрепите шнур питания, чтобы предотвратить случайное вытягивание или контакт с нагретой поверхностью.
- Не чистите и не размещайте устройство на хранение пока оно полностью не остынет.
- Устройство не должно быть наклонено под углом, большим, чем 5°. После установки устройства подождите 2 часа, прежде чем подключите его к источнику питания и проведете запуск. Эта рекомендация касается также ситуации, когда устройство впоследствии будет переноситься в другое место.

Предполагаемое использование

- Это оборудование предназначено для буфета и домашнего использования.
- Устройство предназначено исключительно для хранения и охлаждения вина (например, шампанского, белого и красного вина и т.п.). Использование устройства для любых других целей может привести к повреждению или травме тела.
- Использование устройства для любых других целей будет рассматриваться, как использование не по назначению. Пользователь будет нести исключительную ответственность за неправильное использование устройства.

Установка заземления

Этот прибор относится к **классу защиты I** и должен быть подключен к защитному грунту. Заземление снижает риск поражения электрическим током, обеспечивая выход провода для электрического тока. Этот прибор оснащен шнуром пи-

тания с заземляющим проводом и заземленной штепсельной вилкой. Вилка должна быть подключена к розетке, которая правильно установлена и заземлена.

Основные детали устройства

1. Корпус
2. Сенсорная панель управления (Смотри ==>> Эксплуатация)
3. Крышка верхней дверной петли
4. Рама двери
5. Деревянные полки
6. Крышка нижней дверной петли
7. Вентиляционные отверстия
8. Ручка двери
9. Регулируемые подставки

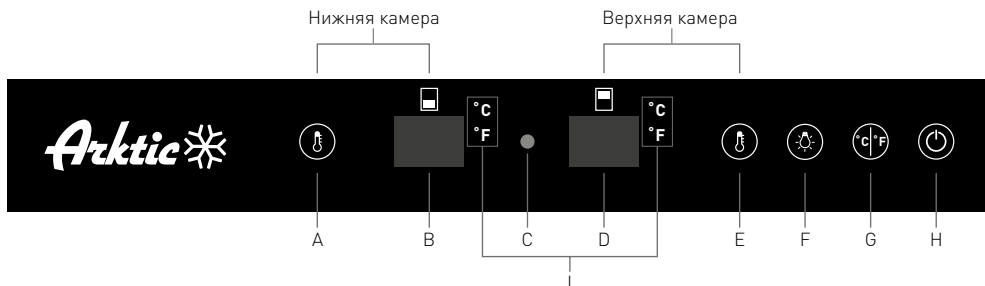


Указания по установке

- Извлеките устройство из картонной коробки, снимите внутреннюю и наружную упаковку и защиты.
- Проверьте, не повреждено ли устройство. В случае неполной доставки или повреждения НЕ используйте устройство. Свяжитесь с поставщиком (смотри == > Гарантия).
- Сохраните упаковку, если намереваетесь хранить прибор в будущем.
- Оставьте устройство в вертикальном положении примерно 2 часа. Такие действия направлены на уменьшение нарушений нормальной работы системы охлаждения в случае неправильного обращения с устройством во время транспортировки.
- Вымойте наружные поверхности мягкой тканью, смоченной в теплой воде. (Смотри ==> Очистка и техническое обслуживание).
- Поместите устройство на ровную устойчивую поверхность, стойкую к высоким температурам и брызгам воды.
- Рабочая температура окружающей среды должна быть в пределах диапазона от 16°C до 38°C. В противном случае устройство может работать неправильно.
- Обеспечьте необходимую вентиляцию. Обеспечьте по крайней мере 10-сантиметровый зазор вокруг устройства. Не закрывайте вентиляционные отверстия.
- Для экономии электроэнергии всегда следите за тем, чтобы дверь была закрыта.

Эксплуатация

Устройство состоит из двух отдельных зон. Управление «Верхняя камера» и «Нижняя камера» выполняется отдельно с помощью панели управления.



Индикатор дисплея:

B: Отображение реальной температуры нижней камеры.

C: Работает индикаторная лампа компрессора. Во время работы компрессора горит красная лампа. Когда он прекращает работу, красная лампа выключается.

Сенсорный контроль:

E: Кнопка настройки температуры верхней камеры. После нажатия кнопки температура повышается на 1°C или 1°F. Диапазон настройки составляет 5°C~12°C или 41°F~54°F.

A: Кнопка настройки температуры нижней камеры. После нажатия кнопки температура повышается на 1°C или 1°F. Диапазон настройки составляет 12°C~22°C или 54°F~72°F.

D: Отображение реальной температуры верхней камеры.

I: Когда включен индикатор °C, он показывает температуру в градусах Цельсия. Когда включен индикатор °F, он показывает температуру в градусах Фаренгейта.

F: Кнопка подсветки шкафа

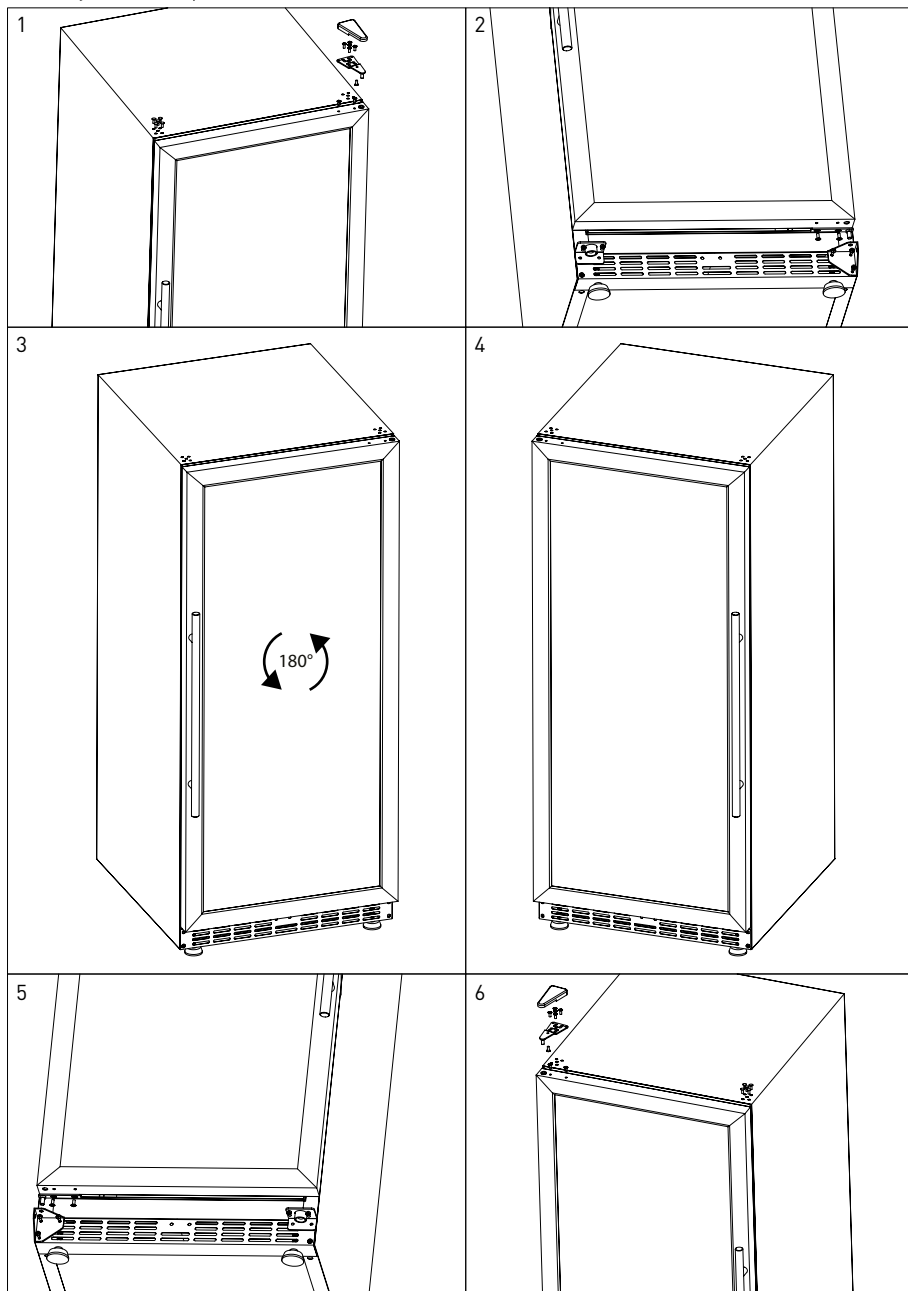
Примечание. После включения света он автоматически выключается через 10 минут для защиты всех вин внутри.

G: Кнопка конвертации между градусами по Цельсию и по Фаренгейту

H: Кнопка включения и выключения; нажмите кнопку и удерживайте ее 3 секунды, прибор включится; снова нажмите и удерживайте ее 3 секунды, и он остановится.

Изменение направления открытия двери

- **ОСТОРОЖНО!** Используйте защиту (не входит в комплект) стеклянной дверцы, чтобы избежать повреждений.
- Замена дверцы должна проводиться исключительно обученным персоналом.
- Пользователь несет исключительную ответственность за повреждения при изменении направления открытия дверцы.
- Следуйте рабочей процедуре, описанной ниже:



Оптимальная температура для подачи вина

Температура	Тип вина	Категория вина
18°C (65°F)	Богатые, интенсивные, дубовые, перечные	Бордо, Каберне Совиньон, Шираз
17°C (63°F)	Красное	Бароло, Бургундия Гран Крю
16°C (61°F)	Красные вина легкой и средней насыщенности	Риоха, Пино Нуар, СДР
15°C (59°F)		Кьянти, Зинфандель
14°C (57°F)		Шинон, Порт, Мадейра
13°C (55°F)		Дольчетто, Кот-дю-Рон
12°C (54°F)	Красные вина сочные и фруктовые	Божоле, Вальполичелла
11°C (52°F)	Белые вина крепкой насыщенности/дубовые	Белые бургундские
10°C (50°F)	Вина легкой и средней насыщенности	Шардоне, Сотерн
9°C (48°F)	Белые вина	Совиньон Блан, Шаблис
8°C (47°F)	Сладкие и игристые вина	Винтажное шампанское
7°C (45°F)		
6°C (43°F)		Шампань Н.В., Просекко, Кава, Асти

Примечание: приведенные выше данные предназначены исключительно для информации.

Очистка и техническое обслуживание

Замечание: Перед очисткой и размещением устройства на хранение, всегда отключайте устройство от электросети и подождите, пока плита остынет.

Очистка

- Мойте устройство до и после каждого использования.
- Никогда не погружайте устройство в воду или другие жидкости.
- Не мойте устройство струей воды.
- Очистите поверхность устройства влажной тканью или губкой с небольшим количеством раствора мягкого моющего средства.
- Все детали устройства промойте водой, чтобы удалить остатки чистящего средства.
- Не используйте абразивные губки, детергенты, стальную вату или металлический инструмент для очистки внутренних или внешних частей устройства.
- Сразу же после очистки высушите внутреннюю и внешнюю поверхности устройства с помощью мягкой ткани.

Хранение

- Перед размещением устройства для хранения всегда следите за тем, чтобы оно было отсоединено от розетки электропитания и полностью остыло.
- Храните устройство в прохладном, чистом и сухом месте.

Транспорт

- Отключите устройство от источника питания, удалив вилку из розетки.
- Выньте все бутылки с вином из устройства.
- Безопасно закрепите все незакрепленные предметы внутри или вне прибора.
- Устройство должно переносить не менее 2 человек.

Диагностика

Если устройство не работает должным образом, обратитесь к приведенной ниже таблице, чтобы найти правильное решение. Если вы все еще не можете решить проблему, обратитесь к поставщику.

Проблема	Возможная причина	Предлагаемое решение
Устройство подключено к источнику питания, но оно не запускается.	1. Вилка неправильно подключена к источнику питания.	1. Проверьте, правильно ли подключена вилка к источнику питания.
	2. Сработало реле защиты от перегрузки или перегорел предохранитель.	2. Свяжитесь с поставщиком.
лишком высокая температура внутри устройства	1. Установленная температура слишком высокая	1. Установите более низкую температуру
	2. Дверь была слишком долго открыта	2. Ограничьте открытие двери
	3. Не слишком плотное уплотнение двери	3. Убедитесь, что прокладка обеспечивает правильное закрытие двери.
На внутренних стенках устройства накапливается влажность.	1. Дверь была слишком долго открыта.	1. Ограничьте открытие двери
Слишком высокая вибрация.	1. Прибор установлен неровно.	1. Проверьте уровень и отрегулируйте ножки, пока холодильник для вина не будет стоять ровно. (Небольшая вибрация при работе нормальна)
Дверца не закрывается.	1. Холодильник для вина стоит неровно.	1. Проверьте уровень и отрегулируйте ножки, пока холодильник для вина не будет стоять ровно.
	2. Дверца была перевернута и установлена неправильно.	2. Свяжитесь с поставщиком.
	3. Полки не на месте.	3. Проверьте полки и установите их в правильное положение.

Отображаемые коды ошибок

Коды ошибок, отображаемые на дисплее (B/D)	Индикация	Возможная причина	Предлагаемое решение
Отображается надпись E1 или E2	Неисправность датчика температуры верхней зоны	1. Датчик температуры верхней зоны подключен неправильно.	Подключите датчик заново
		2. Дефект датчика температуры верхней зоны.	Свяжитесь с поставщиком.
Отображается надпись E3 или E4	Неисправность датчика размораживания	1. Датчик размораживания подключен неправильно.	Подключите датчик заново
		2. Дефект датчика размораживания.	Свяжитесь с поставщиком.
Отображается надпись E7 или E8	Неисправность датчика температуры нижней зоны	1. Датчик температуры нижней зоны подключен неправильно.	Подключите датчик заново
		2. Поломка датчика температуры нижней зоны.	Свяжитесь с поставщиком.
Отображается надпись НН и звучит гудок	Сигнал тревоги о превышении температуры (температура в шкафу для вина превышает 78,8°F/26°C)	1. Утечка газа.	Свяжитесь с поставщиком.
		2. Капиллярная медная трубка на фильтре за компрессором забита.	
		3. Вентилятор испарителя неисправен.	
Мигает надпись LL и звучит гудок, компрессор остановил работу.	Сигнал тревоги о низкой температуре (температура в шкафу для вина ниже 32°F/0°C)	1. Вентилятор обогревателя остановлен.	1. Отключите питание и снова подключите его через 5 мин.
		2. Панель управления работает anomalно.	2. Свяжитесь с поставщиком.
		3. Дефект обогревателя.	

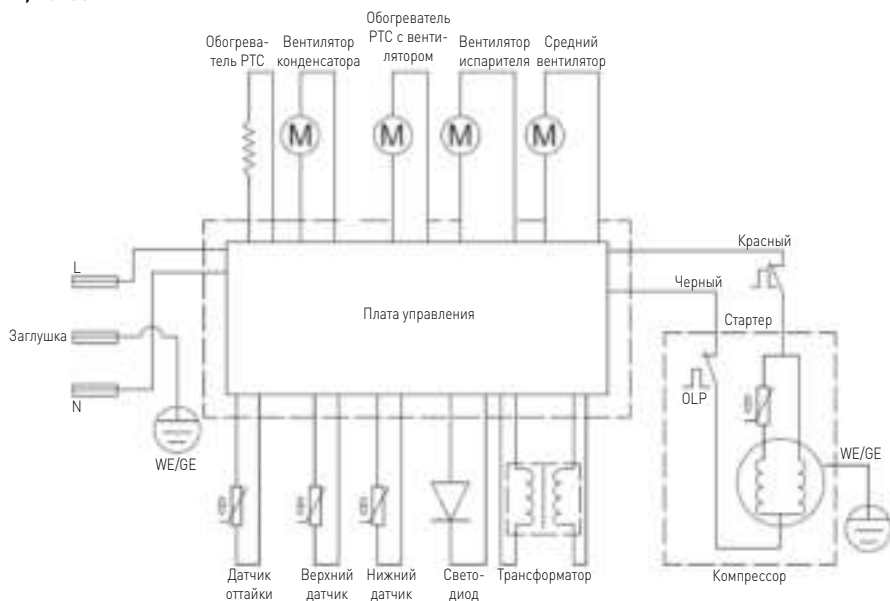
Технические характеристики

№ продукта	237588	237557	237564	237595
Рабочее напряжение и частота	220-240В~ 50 / 60 Гц			
Потребляемая мощность	90Вт	110Вт	130Вт	150Вт
Номинальный ток	0,5 А	0,6 А	0,7 А	0,9 А
Диапазон температуры	5°C до 22°C			
Степень защиты	I Класс			
Мощность света	1,5 Вт			
Уровень шума	< 50 дБ (А)			
Хладагент / количество вводимого агента	R600a / 30г	R600a / 35г	R600a / 50г	R600a / 52г
Энергетический класс	G			
Легковоспламеняющийся пенообразователь	Циклопентан			
Климатический класс	N-ST (16°C до 38°C)			
Количество температурных зон	2			
Ёмкость	133л	232л	387л	447л
Ёмкость - количество хранящихся бутылок	46 бутылки	72 бутылки	135 бутылки	160 бутылки
Количество полок	5	9	13	15
Вес нетто (прим.)	49 кг	67 кг	93 кг	103 кг
Размеры	595 x 588 x (выс.)820мм	595 x 605 x (выс.)1225мм	595 x 685 x (выс.)1625мм	595 x 685 x (выс.)1795мм

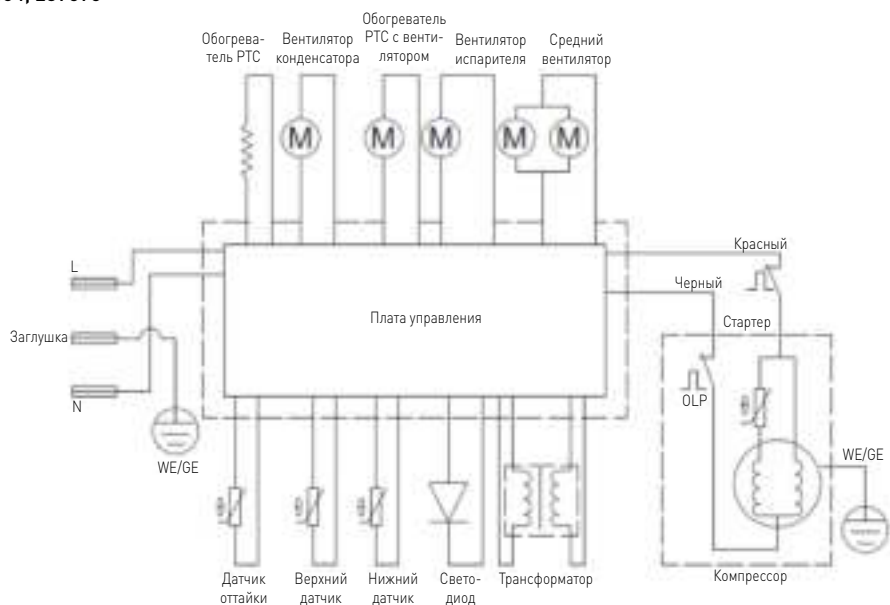
Замечания: Технические характеристики могут быть изменены без предварительного уведомления.

Электрическая схема

237588, 237557



237564, 237595



RU

Гарантия

Любая неполадка или поломка, которая влечет за собой неправильную работу устройства, которая будет выявлена в течение первого года от даты покупки, будет устранена бесплатно, или же все устройство будет заменено новым, если оно эксплуатировалось и обслуживалось согласно инструкции по обслуживанию и не использовалось неправильно, или в разрез с назначением. Данное положение ни в коей мере не нарушает иных прав потребителя, изложенных в законо-

дательстве. В случае заявления устройства в ремонт или на замену в рамках гарантии, следует указать место и дату покупки устройства и приложить счет, или чековую квитанцию.

Согласно нашей политике совершенствования наших продуктов оставляем за собой право на внос изменений в конструкцию, упаковку и в технические параметры, указываемые в технической документации без предупреждения.

Утилизация и защита окружающей среды

В случае вывода оборудования из эксплуатации, продукт нельзя утилизировать вместе с другими бытовыми отходами. Пользователь несет ответственность за передачу оборудования в соответствующий пункт приема техники бывшей в употреблении. Несоблюдение вышеуказанного положения может привести к наложению штрафов в соответствии с действующими правилами в отношении утилизации отходов. Селективный сбор и утилизация использованного оборудования способствуют сохранению природных ресурсов и обеспечивают рециркуляцию таким

образом, который не вреден для здоровья и окружающей среды.

Для получения дополнительной информации о том, где можно отдать использованное оборудование для утилизации, обратитесь в местную компанию по сбору отходов. Производитель и импортер не несут ответственности за рециркуляцию и переработку отходов экологически безопасным способом, как непосредственно, так и в рамках государственной системы.

Αγαπητέ πελάτη,

Σας ευχαριστούμε για την αγορά αυτής της συσκευής Arctic. Διαβάστε προσεκτικά αυτό το εγχειρίδιο, δίνοντας ιδιαίτερη προσοχή στους κανονισμούς ασφαλείας που περιγράφονται παρακάτω, πριν εγκαταστήσετε και χρησιμοποιήσετε αυτή τη συσκευή για πρώτη φορά.

Κανονισμοί ασφαλείας

- Η συσκευή ενδείκνυται για χρήση σε μπουφέ και οικιακή χρήση.
- Χρησιμοποιείτε μόνο τη συσκευή για τον επιδιωκόμενο σκοπό για τον οποίο σχεδιάστηκε όπως περιγράφεται στο παρόν εγχειρίδιο.
- Ο κατασκευαστής δεν ευθύνεται για τυχόν ζημιές που προκαλούνται από λανθασμένη λειτουργία και ακατάλληλη χρήση.
- Κρατήστε τη συσκευή και το ηλεκτρικό βύσμα μακριά από νερό και άλλα υγρά. Σε περίπτωση που η συσκευή πέσει στο νερό, αφαιρέστε αμέσως το βύσμα τροφοδοσίας από την πρίζα. Μην χρησιμοποιείτε τη συσκευή μέχρι να ελεγχθεί από πιστοποιημένο τεχνικό. Η μη τήρηση αυτών των οδηγιών θα προκαλέσει απειλητικούς κινδύνους για τη ζωή.
- Ποτέ μην επιχειρήσετε να ανοίξετε μόνοι σας το περίβλημα της συσκευής.
- Μην εισάγετε αντικείμενα στο περίβλημα της συσκευής.
- Μην αγγίζετε το βύσμα με βρεγμένα ή υγρά χέρια.
- ⚡ **ΚΙΝΔΥΝΟΣ ΗΛΕΚΤΡΟΠΛΗΞΙΑΣ!** Μην επιχειρήσετε να επισκευάσετε τη συσκευή μόνοι σας, οι επισκευές πρέπει να πραγματοποιούνται μόνο από εξειδικευμένο προσωπικό.
- **Ποτέ μην χρησιμοποιείτε μια κατεστραμμένη συσκευή!** Όταν είναι κατεστραμμένο, αποσυνδέστε τη συσκευή από την πρίζα και επικοινωνήστε με το κατάστημα λιανικής πώλησης.
- **ΠΡΟΕΙΔΟΠΟΙΗΣΗ!** Μην βυθίζετε τα ηλεκτρικά μέρη της συσκευής σε νερό ή άλλα υγρά.
- Ποτέ μην κρατάτε τη συσκευή κάτω από τρεχούμενο νερό.
- Ελέγχετε τακτικά το βύσμα τροφοδοσίας και το καλώδιο για τυχόν ζημιές. Σε περίπτωση βλάβης, πρέπει να αντικατασταθεί από αντιπρόσωπο εξυπηρέτησης ή με παρόμοια προσόντα, ώστε να αποφεύγεται ο κίνδυνος ή ο τραυματισμός.
- Βεβαιωθείτε ότι το καλώδιο δεν έρχεται σε επαφή με αιχμηρά ή ζεστά αντικείμενα και κρατήστε το μακριά από ανοιχτή φωτιά. Μην τραβάτε ποτέ το καλώδιο τροφοδοσίας για να το αποσυνδέσετε από την πρίζα, πάντα τραβάτε το βύσμα.
- Βεβαιωθείτε ότι το καλώδιο τροφοδοσίας ή/και το καλώδιο προέκτασης δεν προκαλούν κίνδυνο διαφυγής.
- Μην αφήνετε ποτέ τη συσκευή αφύλακτη κατά τη χρήση.
- **ΠΡΟΕΙΔΟΠΟΙΗΣΗ!** Όσο το βύσμα βρίσκεται στην πρίζα, η συσκευή είναι συνδεδεμένη με την πηγή τροφοδοσίας.
- Απενεργοποιήστε τη συσκευή πριν την αποσυνδέσετε από την πρίζα.
- Συνδέστε το βύσμα ρεύματος σε μια εύκολα προσβάσιμη πρίζα, ώστε σε περίπτωση ανάγκης να αποσυνδεθεί αμέσως η συσκευή.
- Ποτέ μην μεταφέρετε τη συσκευή από το καλώδιο.
- Μην χρησιμοποιείτε επιπλέον συσκευές που δεν παρέχονται μαζί με τη συσκευή.

GR

- Συνδέστε τη συσκευή μόνο σε πρίζα με την τάση και τη συχνότητα που αναφέρονται στην ετικέτα της συσκευής.
- Ποτέ μην χρησιμοποιείτε εξαρτήματα εκτός από αυτά που συνιστώνται από τον κατασκευαστή. Εάν δεν γίνει κάτι τέτοιο, θα μπορούσε να αποτελέσει κίνδυνο για την ασφάλεια του χρήστη και θα μπορούσε να προκαλέσει βλάβη στη συσκευή. Χρησιμοποιείτε μόνο αυθεντικά εξαρτήματα και αξεσουάρ.
- Η συσκευή αυτή δεν πρέπει να λειτουργεί από άτομα με μειωμένες σωματικές, αισθητηριακές ή διανοητικές ικανότητες ή άτομα με έλλειψη εμπειρίας και γνώσης.
- Αυτή η συσκευή δεν πρέπει, σε καμία περίπτωση, να χρησιμοποιείται από παιδιά.
- Κρατήστε τη συσκευή και το καλώδιο τροφοδοσίας μακριά από παιδιά.
- **ΠΡΟΕΙΔΟΠΟΙΗΣΗ:** Πάντα απενεργοποιείτε τη συσκευή και αποσυνδέστε την πρίζα πριν από τον καθαρισμό, τη συντήρηση ή την αποθήκευση.

Ειδικό Κανονισμοί Ασφαλείας

- Χρησιμοποιείτε τη συσκευή μόνο όπως περιγράφεται στο παρόν εγχειρίδιο.
-  **ΠΡΟΣΟΧΗ!! Κίνδυνος πυρκαγιάς!** Το ψυκτικό μέσο που χρησιμοποιείται είναι το R600a, που είναι ένα εύφλεκτο φυσικό αέριο, φιλικό προς το περιβάλλον. Δεν βλάπτει τη στιβάδα του όζοντος και δεν εντείνει το φαινόμενο του θερμοκηπίου. Ωστόσο, η χρήση αυτού του ψυκτικού μέσου προκαλεί μια ελαφρά αύξηση της στάθμης θορύβου της συσκευής. Εκτός από τον θόρυβο που προκαλεί ο συμπιεστής, μπορεί να ακούγεται το ψυκτικό που ρέει στο σύστημα. Αυτό είναι αναπόφευκτο και δεν έχει αρνητικές επιπτώσεις στην απόδοση της συσκευής. Κατά τη μεταφορά και την εγκατάσταση της συσκευής, προσέξτε να μην υποστούν βλάβη τα εξαρτήματα του συστήματος ψύξης. Η διαρροή ψυκτικού μπορεί να προκαλέσει οφθαλμολογική βλάβη.
- Ο παράγοντας φυσικού αερίου που χρησιμοποιείται είναι το κυκλοπεντάνιο σε αυτήν τη συσκευή. Είναι πολύ εύφλεκτο.
- Η συσκευή πρέπει να χρησιμοποιείται σε θερμοκρασία περιβάλλοντος από 16°C ~ 38°C.
- Μην τοποθετείτε τη συσκευή επάνω σε αντικείμενο θέρμανσης (ηλεκτρικό φούρνο, ψησταριά κλπ κλπ). Διατηρείτε τη συσκευή μακριά από θερμές επιφάνειες και ανοικτές φλόγες. Να τοποθετείτε και να χρησιμοποιείτε πάντα τη συσκευή σε επίπεδη, σταθερή, καθαρή, στεγνή και ανθεκτική στη θερμότητα επιφάνεια.
- Μην χρησιμοποιείτε τη συσκευή κοντά σε εκρηκτικά ή εύφλεκτα υλικά, πιστωτικές κάρτες, μαγνητικούς δίσκους ή ραδιόφωνα.
- Η συσκευή δεν προορίζεται για λειτουργία μέσω εξωτερικού χρονοδιακόπτη ή ξεχωριστού συστήματος τηλεχειρισμού.
- **ΠΡΟΕΙΔΟΠΟΙΗΣΗ:** Απομακρύνετε όλα τα εμπόδια γύρω από τα ανοίγματα εξαερισμού της συσκευής.
- **ΠΡΟΕΙΔΟΠΟΙΗΣΗ:** Μην χρησιμοποιείτε μηχανικές συσκευές ή άλλα μέσα για να επιταχύνετε τη διαδικασία απόψυξης, πέραν αυτών που συνιστώνται από τον κατασκευαστή.
- **ΠΡΟΕΙΔΟΠΟΙΗΣΗ:** Μην προκαλέσετε ζημιά στο κύκλωμα του ψυκτικού μέσου.
- Αφήστε τουλάχιστον 10 cm ελεύθερο χώρο γύρω από τη συσκευή για λόγους αερισμού κατά τη χρήση.

- Μην χρησιμοποιείτε πίδακες νερού και μην ξεπλένετε άμεσα με νερό ή συσκευές καθαρισμού με ατμό, καθώς τα εξαρτήματα θα βραχούν και μπορεί να προκληθεί ηλεκτροπληξία.
- **ΠΡΟΣΟΧΗ!!** Στερεώστε, εάν είναι απαραίτητο, το καλώδιο τροφοδοσίας για να αποφύγετε τυχόν ακούσιο τράβηγμα ή επαφή με την επιφάνεια ψυσίματος.
- Μην καθαρίζετε ή αποθηκεύετε τη συσκευή εάν δεν έχει κρυώσει πλήρως.
- Η συσκευή δεν πρέπει να έχει κλίση άνω των 5°. Αφού εγκαταστήσετε τη συσκευή, περιμένετε 2 ώρες πριν την συνδέσετε στο ρεύμα. Το ίδιο ισχύει και σε περίπτωση μεταγενέστερης μετακίνησης της συσκευής.

Προβλεπόμενη χρήση

- Η συσκευή ενδείκνυται για χρήση σε μπουφέ και οικιακή χρήση.
- Αυτή η συσκευή έχει σχεδιαστεί μόνο για την αποθήκευση και την ψύξη φιαλών κρασιού (π.χ. σαμπάνια, λευκό κρασί, κόκκινο κρασί, κλπ). Οποιαδήποτε άλλη χρήση μπορεί να προκαλέσει ζημιά στη συσκευή ή τραυματισμό.
- Η χρήση της συσκευής για οποιονδήποτε άλλο σκοπό θεωρείται εσφαλμένη. Ο χρήστης είναι αποκλειστικά υπεύθυνος για την μη κατάλληλη χρήση της συσκευής.

Εγκατάσταση γείωσης

Η συσκευή αυτή ταξινομείται ως **κατηγορία προστασίας Ι** και πρέπει να συνδέεται με προστατευτικό έδαφος. Η γείωση μειώνει τον κίνδυνο ηλεκτροπληξίας παρέχοντας ένα καλώδιο διαφυγής για το ηλεκτρικό ρεύμα. Αυτή η συσκευή είναι εφοδιασμένη με

καλώδιο τροφοδοσίας που διαθέτει καλώδιο γείωσης και γειωμένο βύσμα. Το βύσμα πρέπει να συνδεθεί σε μια πρίζα που είναι σωστά εγκατεστημένη και γειωμένη.

Κύρια μέρη της συσκευής

1. Περιβλημά συσκευής
2. Πίνακας ελέγχου αφής (Βλ. ==> Λειτουργία)
3. Κάλυμμα άνω μεντεσέ
4. Πλαίσιο πόρτας
5. Ξύλινα ράφια
6. Κάλυμμα κάτω μεντεσέ
7. Οπές εξαερισμού
8. Λαβή πόρτας
9. Ρυθμιζόμενα πόδια

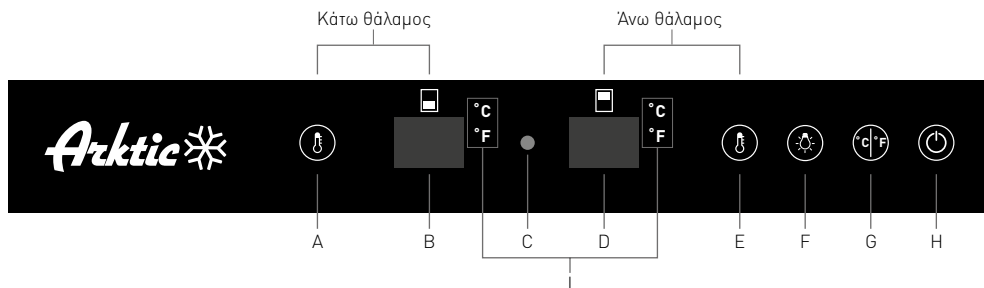


Οδηγίες εγκατάστασης

- Αφαιρέστε τη συσκευή από το χαρτοκιβώτιο και, στη συνέχεια, αφαιρέστε τα εξωτερικά και εσωτερικά υλικά συσκευασίας και περιτύλιξης.
- Βεβαιωθείτε ότι η συσκευή δεν φέρει ζημιές. Σε περίπτωση μη ολοκληρωμένης παράδοσης ή ζημιών, ΜΗΝ χρησιμοποιείτε τη συσκευή. Επικοινωνήστε με τον προμηθευτή (Βλ. ==> Εγγύηση).
- Φυλάξτε τη συσκευασία εάν σκοπεύετε να αποθηκεύσετε τη συσκευή σας στο μέλλον.
- Αφήστε τη συσκευή σε όρθια θέση για περίπου 2 ώρες. Με αυτόν τον τρόπο θα μειώσετε την πιθανότητα δυσλειτουργίας του συστήματος ψύξης από μη κατάλληλο χειρισμό κατά τη μεταφορά.
- Καθαρίστε το εσωτερικό της συσκευής με χλιαρό νερό και ένα μαλακό πανί. (Βλ. ==> Καθαρισμός και Συντήρηση).
- Τοποθετήστε τη συσκευή σε μια σταθερή και ανθεκτική στη θερμότητα επιφάνεια, προστατευμένη από το νερό.
- Η βέλτιστη θερμοκρασία περιβάλλοντος για τη λειτουργία της συσκευής είναι μεταξύ 16°C και 32°C. Διαφορετικά, η λειτουργικότητα ενδέχεται να περιοριστεί.
- Βεβαιωθείτε ότι υπάρχει επαρκής αερισμός. Αφήστε τουλάχιστον 10 cm ελεύθερο χώρο γύρω από τη συσκευή. Μην φράσετε τις οπές εξαερισμού.
- Για εξοικονόμηση ενέργειας, η πόρτα πρέπει να είναι πάντα κλειστή.

Λειτουργία

Η συσκευή χωρίζεται σε 2 ξεχωριστές ζώνες. Η «Άνω θάλαμος» και η «Κάτω θάλαμος» της συσκευής ελέγχονται ξεχωριστά από τον πίνακα ελέγχου (2).



Ένδειξη οθόνης:

B: Ένδειξη της πραγματικής θερμοκρασίας του κάτω θαλάμου.

C: Ενδεικτική λυχνία λειτουργίας συμπιεστή. Όταν ο συμπιεστής λειτουργεί, το κόκκινο φως είναι αναμμένο. Όταν σταματά να λειτουργεί, η κόκκινη λυχνία είναι σβηστή.

Έλεγχος αφής:

E: Κουμπι ρύθμισης θερμοκρασίας του άνω θαλάμου. Μόλις πατήσετε το κουμπι, η θερμοκρασία αυξάνεται 1°C ή 1° F. Το εύρος ρύθμισης είναι μεταξύ 5°C ~ 12°C ή 41°F ~ 54°F.

A: Κουμπι ρύθμισης θερμοκρασίας του κάτω θαλάμου. Μόλις πατήσετε το κουμπι, η θερμοκρασία αυξάνεται 1°C ή 1°F. Το εύρος ρύθμισης είναι μεταξύ 12°C ~ 22°C ή 54°F ~ 72°F.

D: Ένδειξη της πραγματικής θερμοκρασίας του άνω θαλάμου.

I: Όταν η λυχνία ° C είναι αναμμένη, δείχνει θερμοκρασία Κελσίου. Όταν η λυχνία ° F είναι αναμμένη, δείχνει θερμοκρασία Φαρενάιτ.

F: Κουμπι ελέγχου φωτισμού ντουλαπιού

Σημείωση: Μόλις ανάψει το φως, θα σβήσει αυτόματα μετά από 10 λεπτά, για να προστατεύει τα κρυστά μέρη.

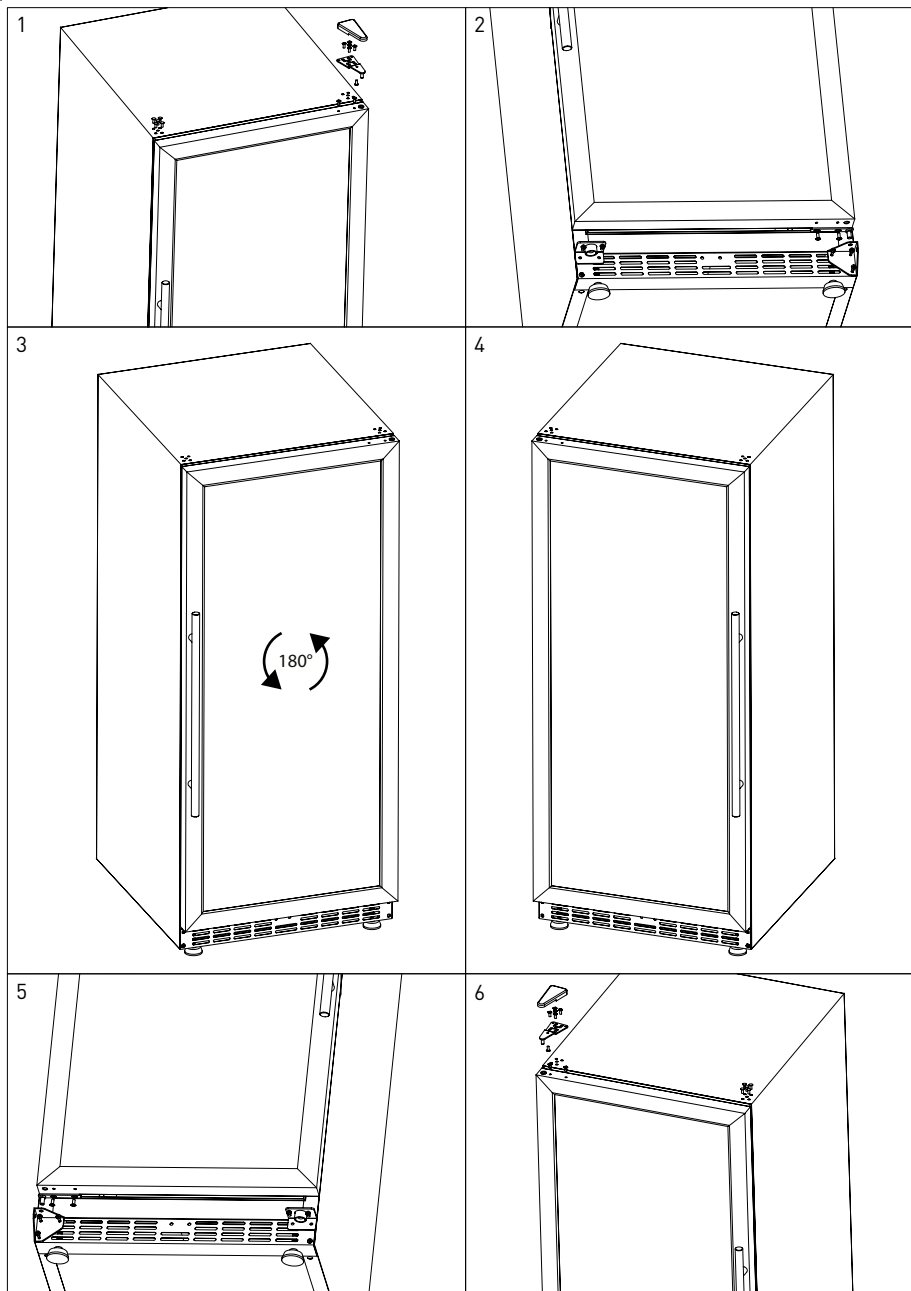
G: Κουμπι μετατροπής Κελσίου και Φαρενάιτ

H: Κουμπι ενεργοποίησης και απενεργοποίησης. Πατήστε το κουμπι για 3 δευτερόλεπτα, ξεκινάει. Πατήστε ξανά για 3 δευτερόλεπτα, σταματά.

Αλλαγή κατεύθυνσης ανοικτής πόρτας

- **ΠΡΟΣΟΧΗ!** Χρησιμοποιήστε προστατευτικό (δεν παρέχεται) για τη γυάλινη πόρτα για να αποφύγετε ζημιές.
- Η πόρτα αντικαθίσταται μόνο από εκπαιδευμένο προσωπικό.

- Ο χρήστης είναι αποκλειστικά υπεύθυνος για τη ζημιά της αλλαγής κατεύθυνσης της ανοικτής πόρτας.
- Ακολουθήστε την παρακάτω διαδικασία εργασίας:



Βέλτιστη θερμοκρασία σερβιρίσματος κρασιού

Θερμοκρασία	Τύπος κρασιού	Κατηγορία κρασιού
18°C (65°F)	Πλούσια, έντονα, με άρωμα βελανιδιάς, πιπερώδη	Bordeaux, Cabernet Sauvignon, Shiraz
17°C (63°F)	Κόκκινα	Barolo, Burgundy Grand Cru
16°C (61°F)	Κόκκινα με μέτριο έως ελαφρύτερο σώμα	Rioja, Pinot Noir, CDP
15°C (59°F)		Chianti, Zinfandel
14°C (57°F)		Chinon, Port, Madeira
13°C (55°F)		Dolcetto, Cotes Du Rhone
12°C (54°F)	Χυμώδη, φρουτώδη κόκκινα	Beaujolais, Valpolicella
11°C (52°F)	Λευκά πλήρους σώματος/με άρωμα βελανιδιάς	Λευκά Burgundy
10°C (50°F)	Με μέτριο έως ελαφρύτερο σώμα	Chardonnay, Sauternes
9°C (48°F)	Λευκά	Sauvignon Blanc, Chablis
8°C (47°F)	Γλυκά και αφρώδη κρασιά	Vintage σαμπάνιες
7°C (45°F)		
6°C (43°F)		Champagne NV, Prosecco, Cava, Asti

Σημείωση: Ο παραπάνω πίνακας παρέχεται μόνο για λόγους αναφοράς.

Καθαρισμός και Συντήρηση

Προσοχή: Να απουσνδέετε πάντα τη συσκευή από την πρίζα και να την αφήσετε να κρυώνει τελείως πριν την καθαρίσετε και την αποθηκεύσετε.

Καθαρισμός

- Καθαρίζετε τη συσκευή πριν και μετά από κάθε χρήση.
- Μην βυθίζετε ποτέ τη συσκευή σε νερό ή άλλα υγρά.
- Μην καθαρίζετε τη συσκευή με εκτοξευτήρα νερού.
- Καθαρίζετε την επιφάνεια με ένα ελαφρώς υγρό πανί ή σφουγγάρι με λίγο ήπιο διάλυμα σαπουνιού.
- Όλα τα μέρη της συσκευής πρέπει να ξεπλένονται με καθαρό νερό για να αφαιρούνται τυχόν υπολείμματα σαπουνιού.
- Μην χρησιμοποιείτε τριπτικά σφουγγάρια ή απορρυπαντικά, σύρματα ή μεταλλικά σκεύη για τον καθαρισμό των εσωτερικών ή εξωτερικών μερών της συσκευής.
- Στεγνώστε το εσωτερικό και το εξωτερικό της συσκευής με ένα μαλακό πανί.

Αποθήκευση

- Πριν αποθηκεύσετε την συσκευή, βεβαιωθείτε ότι έχει αποσυνδεθεί από την πρίζα και έχει κρυώσει τελείως.
- Φυλάσσετε τη συσκευή σε δροσερό, καθαρό και στεγνό χώρο.

Μεταφορά

- Βγάλτε τη συσκευή από την πρίζα.
- Αφαιρέστε όλες τις φιάλες από τη συσκευή.
- Κολλήστε με ασφάλεια όλα τα χαλαρά αντικείμενα μέσα ή έξω από τη συσκευή.
- Απαιτούνται τουλάχιστον 2 άτομα για τη μεταφορά.

Αντιμετώπιση προβλημάτων

Αν η συσκευή δεν λειτουργεί σωστά, συμβουλευτείτε τον παρακάτω πίνακα για πιθανές λύσεις. Αν συνεχίζετε να μην μπορείτε να επιλύσετε το πρόβλημα, επικοινωνήστε με τον προμηθευτή/πάροχο σέρβις.

Προβλήματα	Πιθανές αιτίες	Πιθανές λύσεις
Η συσκευή είναι συνδεδεμένη σε παροχή ρεύματος, αλλά δεν λειτουργεί.	1. Το φις δεν είναι συνδεδεμένο σωστά στην παροχή ρεύματος.	1. Ελέγξτε ξανά το βύσμα για να βεβαιωθείτε ότι είναι συνδεδεμένο σωστά.
	2. Ο αυτόματος διακόπτης έπεσε ή κάπκε η ασφάλεια.	2. Επικοινωνήστε με τον προμηθευτή σας.
Η θερμοκρασία στο εσωτερικό της συσκευής είναι πολύ υψηλή.	1. Έχει οριστεί πολύ υψηλή θερμοκρασία.	1. Χαμηλώστε τη θερμοκρασία.
	2. Η πόρτα έχει μείνει ανοικτή για μεγάλο διάστημα.	2. Ανοίγετε την πόρτα για συντομότερα διαστήματα.
	3. Η φλάντζα της πόρτας δεν σφραγίζει καλά.	3. Βεβαιωθείτε ότι η φλάντζα της πόρτας σφραγίζει καλά.
Υπάρχει υγρασία στα εσωτερικά τοιχώματα της συσκευής.	1. Η πόρτα έχει μείνει ανοικτή για μεγάλο διάστημα.	1. Ανοίγετε την πόρτα για συντομότερα διαστήματα.
Πάρα πολύ δόννησ.	1. Η συσκευή δεν έχει τοποθετηθεί σε επίπεδη επιφάνεια.	1. Ελέγξτε το επίπεδο και ρυθμίστε τα πόδια έως ότου το ψυγείο κρασιού να κάθετα σε επίπεδη επιφάνεια. (Οι μικροί κραδασμοί είναι φυσιολογικοί)
Η πόρτα δεν κλείνει καλά.	1. Το Ψυγείο κρασιών δεν έχει τοποθετηθεί σε επίπεδη επιφάνεια.	1. Ελέγξτε το επίπεδο και ρυθμίστε τα πόδια έως ότου το ψυγείο κρασιού να κάθετα σε επίπεδη επιφάνεια.
	2. Η πόρτα είναι ανάποδα και δεν εγκαταστάθηκε σωστά.	2. Επικοινωνήστε με τον προμηθευτή σας.
	3. Τα ράφια είναι εκτός θέσης.	3. Ελέγξτε και τοποθετήστε τα ράφια στη σωστή θέση.

Πίνακας κωδικών σφάλματος

Κωδικοί πρόσβασης που εμφανίζονται στην οθόνη (B/D)	Ένδειξη	Πιθανές αιτίες	Πιθανές λύσεις
Εμφανίζεται η ένδειξη «E1» ή «E2»	Βλάβη αισθητήρα θερμοκρασίας άνω ζώνης	1. Η σύνδεση του αισθητήρα θερμοκρασίας άνω ζώνης είναι χαλαρή.	Επανασυνδέστε τον αισθητήρα
		2. Ο αισθητήρας θερμοκρασίας άνω ζώνης είναι ελαττωματικός.	Επικοινωνήστε με τον προμηθευτή σας.
Εμφανίζεται η ένδειξη «E3» ή «E4»	Βλάβη αισθητήρα απόψυξης	1. Η σύνδεση του αισθητήρα απόψυξης είναι χαλαρή.	Επανασυνδέστε τον αισθητήρα
		2. Ο αισθητήρας απόψυξης είναι ελαττωματικός.	Επικοινωνήστε με τον προμηθευτή σας.
Εμφανίζεται η ένδειξη «E7» ή «E8»	Βλάβη αισθητήρα θερμοκρασίας χαμηλότερης ζώνης	1. Η σύνδεση του αισθητήρα θερμοκρασίας χαμηλότερης ζώνης είναι χαλαρή.	Επανασυνδέστε τον αισθητήρα
		2. Ο αισθητήρας θερμοκρασίας χαμηλότερης ζώνης είναι καλασμένος.	Επικοινωνήστε με τον προμηθευτή σας.
Εμφανίζεται η ένδειξη "HH" με ήχο μπιπ	Συναγερμός υψηλής θερμοκρασίας (η θερμοκρασία στο ντουλάπι κρασιού είναι πάνω από 78,8°F/26°C)	1. Διαρροή αερίου.	Επικοινωνήστε με τον προμηθευτή σας.
		2. Ο σωλήνας χαλκού στο φίλτρο δίπλα στον συμπιεστή είναι βουλωμένος.	
		3. Ο ανεμιστήρας εξατμιστή είναι ελαττωματικός.	
Εμφανίζεται η ένδειξη «LL» με ήχο μπιπ και ο συμπιεστής σταματά να λειτουργεί.	Συναγερμός χαμηλής θερμοκρασίας (η θερμοκρασία στο ντουλάπι κρασιού είναι κάτω από 32°F/0°C)	1. Ο ανεμιστήρας του θερμομαντήρα έχει σταματήσει.	1. Αποσυνδέστε το ρεύμα και συνδέστε το ξανά μετά από 5 λεπτά. 2. Επικοινωνήστε με τον προμηθευτή σας.
		2. Ο πίνακας ελέγχου είναι προβληματικός.	
		3. Ο θερμομαντήρας είναι ελαττωματικός.	

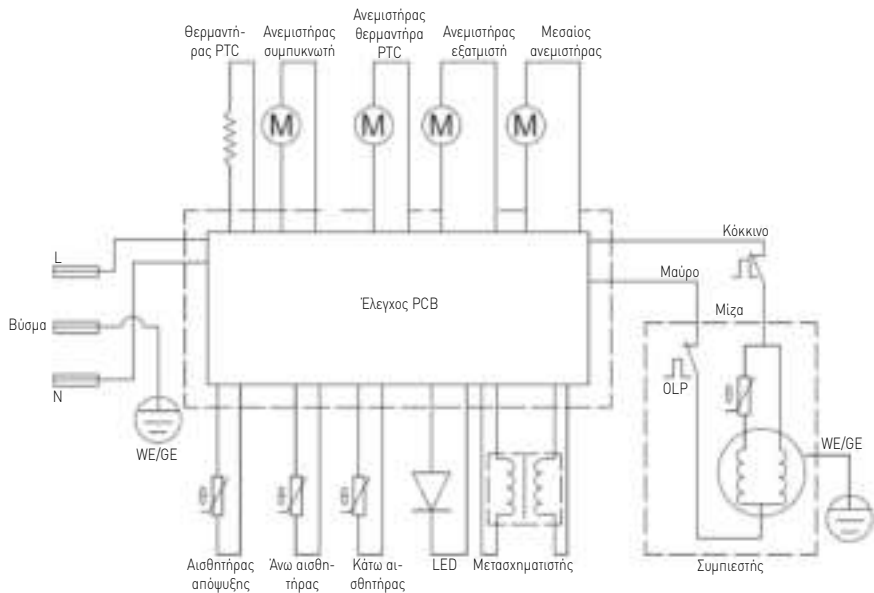
Τεχνικά στοιχεία

Αρ. προϊόντος	237588	237557	237564	237595
Τάση και συχνότητα λειτουργίας	220-240V~ 50Hz			
Ονομαστική ισχύς εισόδου	90W	110W	130W	150W
Ονομαστικό ρεύμα	0,5 A	0,6 A	0,7 A	0,9 A
Ρύθμιση εύρους θερμοκρασίας	5°C έως 22°C			
Κατηγορία προστασίας	Κατηγορία I			
Ισχύς φωτισμού	1,5 W			
Επίπεδο θορύβου	< 50 dB (A)			
Χρησιμοποιούμενο ψυκτικό μέσο και ποσότητα έγχυσης	R600a / 30g	R600a / 35g	R600a / 50g	R600a / 52g
Κατηγορία ενεργειακής απόδοσης	G			
Παράγοντας φυσικού αερίου	Κυκλοπεντάνιο			
Κλιματική κλάση	N-ST (16°C έως 38°C)			
Αρ. ζωνών θερμοκρασίας	2			
Χωρητικότητα	133L	232L	387L	447L
Χωρητικότητα σε φιάλες	46 φιάλες	72 φιάλες	135 φιάλες	160 φιάλες
Αρ. ραφιών	5	9	13	15
Καθαρό βάρος (περ.)	49 kg	67 kg	93 kg	103 kg
Διαστάσεις	595 x 588 x (Y)820mm	595 x 605 x (Y)1225mm	595 x 685 x (Y)1625mm	595 x 685 x (Y)1795mm

Σημείωση: Οι τεχνικές προδιαγραφές μπορούν να τροποποιηθούν χωρίς προηγούμενη ειδοποίηση.

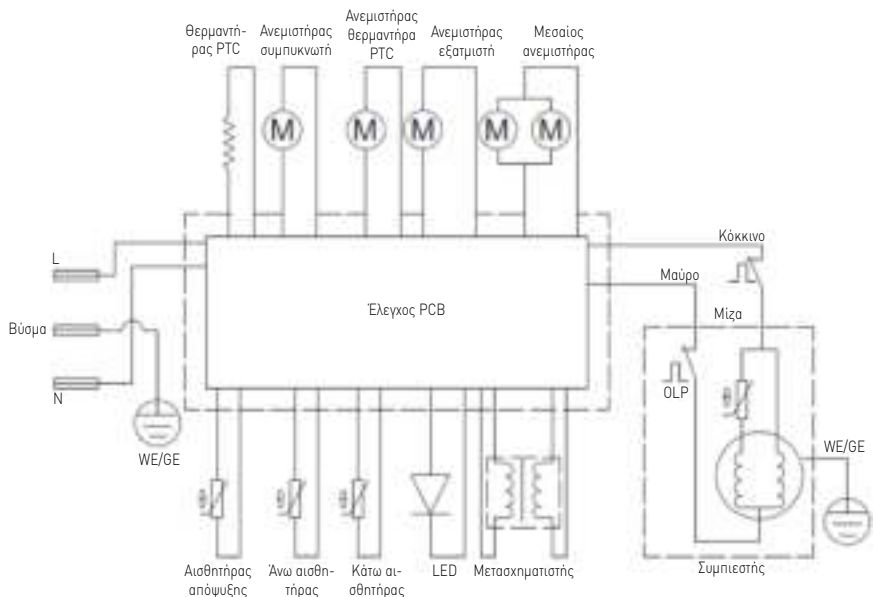
Διάγραμμα κυκλώματος

237588, 237557



GR

237564, 237595



Εγγύηση

Οποιοδήποτε ελάττωμα επηρεάζει τη λειτουργικότητα της συσκευής που γίνεται προφανές δύο χρόνια μετά την αγορά της, θα διορθώνεται με δωρεάν επισκευή ή αντικατάσταση, αρκεί η συσκευή να έχει χρησιμοποιηθεί και συντηρηθεί σύμφωνα με τις οδηγίες και να μην έχει γίνει κατάχρηση ή λανθασμένη χρήση της με οποιοδήποτε τρόπο. Δε θίγονται τα νόμιμα δικαιώματά σας. Εάν η συσκευή υποστηρίζεται

από εγγύηση, δηλώστε πού και πότε έχει αγοραστεί και συμπεριλάβετε την απόδειξη αγοράς (π.χ. απόδειξη λιανικής πώλησης).

Σύμφωνα με την πολιτική μας για τη συνεχή εξέλιξη των προϊόντων μας, διατηρούμε το δικαίωμα να αλλάξουμε το προϊόν, τη συσκευασία και τις προδιαγραφές τεκμηριωσής του χωρίς προειδοποίηση.

Απόρριψη & Περιβάλλον

Η συσκευή, μετά το πέρας της διάρκειας ζωής της, δεν πρέπει να απορρίπτεται ως οικιακό απόρριμμα. Πρέπει να απορρίπτεται, με δική σας ευθύνη, σε καθορισμένο σημείο συλλογής. Η μη τήρηση αυτού ενδέχεται να τιμωρείται σύμφωνα με τους ισχύοντες κανονισμούς για τη διάθεση των απορριμμάτων. Η χωριστή συλλογή και ανακύκλωση αυτής της συσκευής κατά τη στιγμή της απόρριψης βοηθά στη διατήρηση των φυσικών πόρων και εξασφαλίζει την ανακύκλωσή της με τρόπο που προστατεύει την ανθρώπινη υγεία και το περιβάλλον.

Για περισσότερες πληροφορίες σχετικά με το πού μπορείτε να απορρίψετε τη συσκευή για ανακύκλωση, επικοινωνήστε με την τοπική εταιρεία συλλογής απορριμμάτων. Οι κατασκευαστές και οι εισαγωγείς δεν αναλαμβάνουν την ευθύνη ανακύκλωσης, επεξεργασίας και οικολογικής διάθεσης, είτε άμεσα είτε μέσω δημόσιου συστήματος.

ΣΕΡΒΙΣ ΕΛΛΑΔΟΣ:

Τηλ.: 213 0 998989 (10 γραμμές)

info@pks-hendi.com

GR

Hendi B.V.

Innovatielaan 6
6745 XW De Klomp, The Netherlands
Tel: +31 317 681 040
Email: info@hendi.eu

Hendi Polska Sp. z o.o.

ul. Firmowa 12
62-023 Robakowo, Poland
Tel: +48 61 658 7000
Email: info@hendi.pl

Hendi Food Service Equipment GmbH

Ehring 15
5112 Lamprechtshausen, Austria
Tel: +43 6274 200 10 0
Email: office.austria@hendi.eu

Hendi Food Service Equipment Romania S.R.L.

Str. 13 decembrie 94A, Hala 14
Braşov, 500164, Romania
Tel: +40 268 320330
Email: office@hendi.ro

PKS Hendi South East Europe SA

5 Metsovou Str.
18346 Moschato, Athens, Greece
Tel: +30 210 4839700
Email: info@pks-hendi.com

Hendi Italia S.R.L.

Via Leonardo da Vinci 4
39100 Bolzano (BZ), Italy
Tel: +39 800 727 438
Email: office.italy@hendi.eu

Hendi HK Ltd.

1208, 12/F Exchange Tower
33 Wang Chiu Road, Kowloon Bay, Hong Kong
Tel: +852 2154 2618
Email: info-hk@hendi.eu

Find Hendi on internet:

www.hendi.eu
www.facebook.com/HendiToolsforChefs
www.linkedin.com/company/hendi-food-service-equipment-b.v.
www.youtube.com/HendiEquipment

- Changes, printing and typesetting errors reserved.
- Änderungen und Druckfehler vorbehalten.
- Wijzigingen en drukfouten voorbehouden.
- Producent zastrzega sobie prawo do zmian oraz błędów drukarskich w instrukcji.

- Variations et fautes d'impression réservés.
- Errori di cambiamenti, di stampa e di impaginazione riservati.
- Drepturi rezervate cu privire la modificări și greșeli de imprimare.
- Изменения, печати и верстки ошибки защищены.
- Με επιφύλαξη αλλαγών, λαθών εκτύπωσης και στοιχειοθεσίας.