



4906

Woodland Adventure Playhouse & Slide™

For assistance or replacement parts
please contact:

The Step2 Company, LLC.

10010 Aurora-Hudson Rd.
Streetsboro, OH 44241 USA
1-800-347-8372 USA & Canada Only
(330)656-0440
www.step2.com



Average 2 person assembly time
Temps de montage moyen pour 2 personnes

Tempo medio de montaje para 2 personas.

Tempo medio di assemblaggio per 2 persone

Gemiddelde montagemtijd voor 2 personen

Tempo médio de montagem para 2 pessoas

Średni czas montażu dla 2 osób

Durchschnittliche Montagezeit für 2 Personen

平均组装时间为2人

متوسط وقت التجميع لشخصين



GOCONFIGURE
Putting it all together for you

**INSTALLATION
SERVICES
AVAILABLE!***

*Installation services are only available to U.S. customers.

SAVE THIS SHEET FOR FUTURE REFERENCE.

MANUFACTURING: _____

MODEL #: _____

C.O.C. DATE CODE FROM CARTON: _____

DATE OF PURCHASE: _____

INTENDED FOR USE BY CHILDREN FROM AGES 3-8 YEARS.

OBSERVE ALL STATEMENTS AND WARNINGS TO REDUCE THE LIKELIHOOD OF SERIOUS OR FATAL INJURY.

SAVE THIS SHEET FOR FUTURE REFERENCE.

WARNING: CHOKING HAZARD

Small parts. Sharp points. Adult assembly required.

WARNING: BURN HAZARD

- Always check the temperature of the product before letting your children play with it.
- Remember that the product may cause burns if left in direct sunlight.
- Always be aware of the sun and weather conditions, and do not assume that the equipment is safe because the air temperature is not very high.

WARNING: STRANGULATION HAZARD

Serious injury or death can occur.

- **DO NOT** attach jump ropes, clothes lines, pet leashes or other loose hanging items not specifically designed for use with this equipment.
- **DO NOT** allow children to wear scarves, mittens with cords through the sleeves, or clothing such as capes, ponchos, or items with drawstrings at the neck.
- **DO NOT** allow children to wear helmets while playing on equipment.
- **DO NOT** allow children to wear items around their necks such as necklaces, canteens, purses and binoculars.

WARNING: SERIOUS HEAD INJURY OR DEATH CAN OCCUR.

Falls to a hard surface can result in serious injury or death. Do not install playground equipment over hard surfaces such as concrete asphalt, packed earth, grass, carpet or any other hard surface. Adult supervision required.

SAFETY INFORMATION:

1. Create an obstacle-free site to reduce injury. Maintain a minimum distance of 6.5 feet (2 m) from structures or obstructions (examples: a fence, buildings, garages, houses, low hanging branches, tree stumps/roots, large rocks, bricks, concrete, laundry lines, or electrical wires).
2. Choose a level location for the equipment to reduce the likelihood of the play set tip-ping over and loose fill surfacing materials from washing away during heavy rains.
3. Fall Height: 54.5 inches (1384,3 mm). Do not install product or surfacing material over concrete, asphalt, packed earth, grass, carpet or any other hard surface. A fall onto a hard surface can result in serious injury. Playground Surfacing Materials guidelines for acceptable fall protection are included in this instruction sheet (see table X3.1). To maintain the appropriate level of loose fill material, use containment, such as digging out around the perimeter and/or lining it with landscaping edging. Installations of rubber tiles or poured-in-place surfaces (other than loose-fill materials) generally require a professional and are not "do-it-yourself" projects.
4. Locate bare metal platforms and slides (metal, plastic or otherwise) out of direct sun light to reduce the likelihood of serious burns. A slide that faces north will receive the least direct sunlight.
5. Provide enough room so that children can use equipment safely (example: for structures with multiple activities, a slide should not exit in front of a swing).
6. Separate active and quiet activities from each other (examples: locate sandboxes away from swings or use a guardrail barrier to separate the sandbox from the movement of the swings).
7. Check to be sure all connections are tight. **DO NOT** allow children to play on the product until it is fully assembled.
8. To minimize risks posed by drill shavings, screws are designed to pierce the plastic and form their own threads. Use caution not to over-tighten screws or they will not hold parts together appropriately.

OPERATION INSTRUCTIONS:

1. Provide adult supervision at all times.
2. Limit: 4 children. Maximum user weight: 75 lbs (34 kg).
3. Dress children appropriately, including wearing well-fitting shoes that fully protect feet.
4. **Instruct children:**
 - to slide feet first; one child down slide at a time,
 - to remove articles, before playing on equipment, that create hazards when they get tangled and caught. Examples include: ponchos, scarves, and other loose-fitting clothing, bike or other sports helmets.
 - not to attach items to the playground equipment that are not specifically designed for use with the equipment, examples: jump rope, clothes lines, pet leashes, cables or chains, etc.
5. **Never allow children to:**
 - use the equipment in a manner other than intended,
 - climb on equipment when it is snow-covered or wet.
 - use this product when temperatures fall below 32°F (0°C). Plastic materials may become brittle and crack.
6. Do not use when the temperature drops below 32°F (0°C).
7. Rake surfacing periodically to prevent compaction and maintain appropriate depths.
8. Owners shall be responsible for maintaining the legibility of the warning labels and for children removing the warning label from the product.

DISPOSAL INSTRUCTIONS:

Disassemble so that no unreasonable hazards exist. Please recycle when possible. Disposal must be in compliance with all government regulations.

INSPECT THIS PRODUCT BEFORE EACH USE. TIGHTLY SECURE CONNECTIONS AND REPLACE DAMAGED OR WORN COMPONENTS. CONTACT THE STEP2 COMPANY FOR REPLACEMENT PARTS.

Consumer Information Sheet For Playground Surfacing Materials

Minimum compressed loose-fill surfacing depths		
Inches of	Loose-fill Material Protects to	Fall Height (feet)
9	Shredded/ recycled rubber	10
9	Sand	4
9	Pea Gravel	5
9	Wood mulch (non-CCA)	7
9	Wood chips	10

Table X3.1

This information has been extracted from the CPSC publications "Playground Surfacing – Technical Information Guide". Copies of this publication can be obtained by sending a postcard to the: Office of Public Affairs, U.S. Consumer Product Safety Commission, Washington, D.C., 20207 or call the toll-free hotline: 1-800-638-2772.

• X3.1 The U.S. Consumer Product Safety Commission estimates that about 100,000 playground equipment related injuries resulting from falls to the ground surface are treated annually in U.S. hospital emergency rooms. Injuries involving this hazard pattern tend to be among the most serious of all playground injuries, and have the potential to be fatal, particularly when the injury is to the head. The surface under and around playground equipment can be a major factor in determining the injury-causing potential of a fall. It is self evident that a fall onto a shock absorbing surface is less likely to cause a serious injury than a fall onto a hard surface.

Playground equipment should never be placed on hard surfaces such as concrete or asphalt and while grass may appear to be acceptable it may quickly turn to hard packed earth in areas of high traffic. Shredded bark mulch, wood chips, fine sand or fine gravel are

considered to be acceptable shock absorbing surfaces when installed and maintained at a sufficient depth under and around playground equipment.

- X3.2 Table X3.1 lists the maximum height from which a child would not be expected to sustain a life-threatening head injury in a fall onto five different loose-fill surfacing materials if they are installed and maintained at a depth of 9 in. However, it should be recognized that all injuries due to falls can not be prevented no matter what surfacing material is used.
- X3.3 It is recommended that a shock absorbing material should extend a minimum of 6.5 ft. in all directions from the perimeter of stationary equipment such as climbers and slides. However, because children may deliberately jump from a moving swing, the shock absorbing material should extend in the front and rear of swing a minimum

distance of 2 times the height of the pivot point measured from a point directly beneath the pivot on the supporting structure.

- X3.4 This information is intended to assist in comparing the relative shock-absorbing properties of various materials. No particular material is recommended over another. However, each material is only effective when properly maintained. Materials should be checked periodically and replenished to maintain correct depth as determined necessary for your equipment. The choice of a material depends on the type and height of the playground equipment, the availability of the material in your area, and its cost.

PLEASE SAVE THIS SHEET FOR FUTURE REFERENCE.

Instructions for Proper Maintenance

Your Step2 structure is designed and constructed of quality materials. As with all outdoor products it will weather and wear. To maximize the enjoyment, safety and life of your structure it is important that you properly maintain it.

About Our Wood

Step2 uses 100% Cedar (C. Lanceolata) wood. Although we take great care in selecting the best quality lumber available, wood is still a product of nature and susceptible to weathering which can change the appearance of your set.

What causes weathering? Does it affect the strength of my product?

One of the main reasons for weathering is the effects of water (moisture); the moisture content of the wood at the surface is different than the interior of the wood. As the climate changes, moisture moves in or out of the wood, causing tension which can result in checking and or warping. You can expect the following due to weathering. These changes will not affect the strength of the product:

1. Checking is surface cracks in the wood along the grain. A post (4" x 4") will experience more checking than a board (1" x 4") because the surface and interior moisture content will vary more widely than in thinner wood.

2. Warping results from any distortion (twisting, cupping) from the original plane of the board and often happens from rapid wetting and drying of the wood.

3. Fading happens as a natural change in the wood color as it is exposed to sun-light and will turn grey over time.

How can I reduce the amount of weathering to wood product?

1. Your wood product is coated with a water-based stain. Sunlight will break down the coating, so we recommend applying a water repellent or stain on a yearly basis (see your local stain and paint supplier for a recommended product). You must apply some type of protection (sealant) to the wood of your product. **Please note this is a requirement of your warranty.** Most weathering is just the normal result of nature and will not affect safety. However if you are concerned that a part has experienced a severe weathering problem please call our customer service department for further assistance.

2. Inspect wood parts monthly. The grain of the wood sometimes will lift in the dry season causing splinters to appear. Light sanding may be necessary to maintain a safe environment. Treating your Product with protection (sealant) after sanding will help prevent severe checking/splitting and other weather damage.

IT IS IMPORTANT TO CHECK AND TIGHTEN ALL HARDWARE AT THE BEGINNING AND DURING THE PLAY SEASON AS THEY MAY LOOSEN DUE TO WOOD EXPANSION AND CONTRACTION.

At the beginning of each play season

- Tighten all hardware.
- Check all protective coverings on bolts, pipes, edges, and corners. Replace if they are loose, cracked, or missing.
- Check all wood members for deterioration and splinters. Sand down splinters and replace deteriorating wood members.
- Reinstall any plastic parts, such as swing seats or any other items that were removed for the cold season.
- Rake and check depth of loose fill protective surfacing materials to prevent compaction and to maintain appropriate depth. Replace as necessary.

Twice a month during play season

- Tighten all hardware.
- Check all protective coverings on bolts, pipes, edges, & corners. Replace if they are loose, cracked, or missing.
- Rake and check depth of loose fill protective surfacing materials to prevent compaction and to maintain appropriate depth. Replace as necessary.

At the end of each play season or when the temperature drops below 32° F

- Remove plastic swing seats and other items as specified by the manufacturer and take indoors or do not use.
- Rake and check depth of loose fill protective surfacing materials to prevent compaction and to maintain appropriate depth. Replace as necessary.

Additional Maintenance

- Check hardware every two weeks due to wood expansion and contraction. It is particularly important that this procedure be followed at the beginning of each season.
- Inspect wood parts monthly. The grain of the wood sometimes will lift in the dry season causing splinters to appear. Light sand may be necessary to maintain a safe playing environment. Treat your playset with stain regularly, to help prevent severe checking/splitting and other weather damage.
- A waterbased transparent stain has been applied to your playset. This is done for color only. Once or twice a year, depending on your climate conditions, you must apply some type of protection (sealant) to the wood of your unit. Prior to the application of sealant, lightly sand any "rough" spots on your playset. Please note this is a requirement of your warranty.
- Assembling and maintaining the playset on a level location is very important. As your children play, your playset will slowly dig its way into the soil, and it is very important that it settles evenly. Make sure the playset is level once each year or at the beginning of each play season.

Disposal Instructions

When the Playcenter use is no longer desired, it should be disassembled and disposed of in such a way that no unreasonable hazards will exist at the time the unit is discarded.

Third Party Assembly

Customer may, in their sole discretion, elect to use a third party person or service to assemble this product. Step2 assumes no responsibility or liability for any charge incurred by the Customer for any assembly services. Please see our warranty for more information about damaged and missing part replacement coverage. Step2 will not reimburse Customer for the price of parts purchased.

Limited Warranty

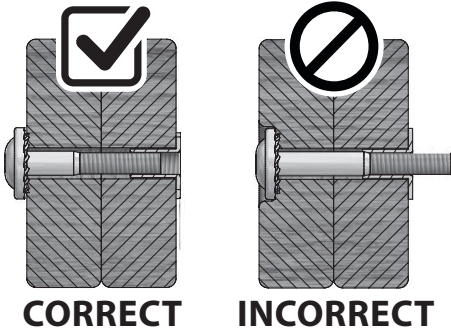
Product warranty can be found online at:
www.Step2.com www.Step2.custhelp.com/app/answers/detail/a_id/176

OWNERS SHALL BE RESPONSIBLE FOR MAINTAINING THE LEGIBILITY OF THE WARNING LABELS

Assembly Tips

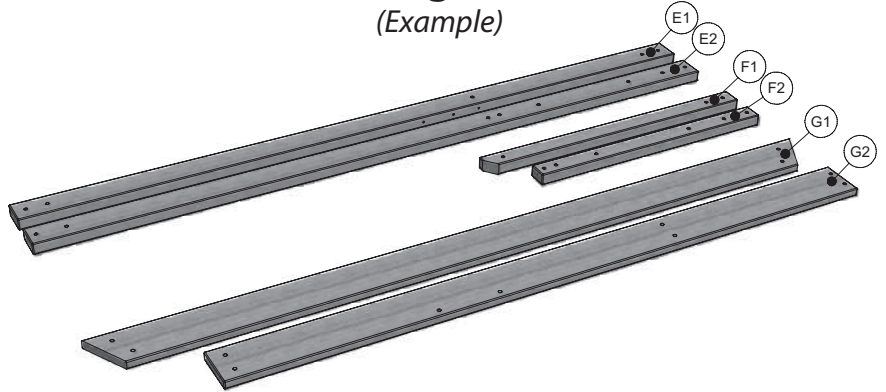
Protrusion Hazard

If threads are exposed, check for correct hardware. If overtightened, add washers to eliminate the protrusion.



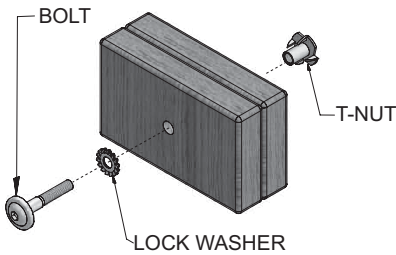
Sorting Wood

(Example)



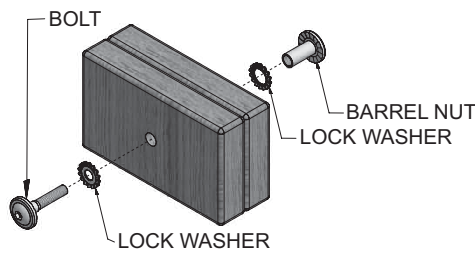
When removing the wood from the boxes we recommend arranging them by part number before you begin assembly. This will allow for faster assembly and easily identify any parts that may be missing or damaged.

Proper Hardware Assembly



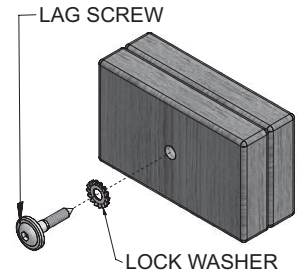
Bolt and T-Nut Assembly

Tap T-nut into the provided hole. Insert your bolt through the lock washer and insert into the provided hole opposite from the T-Nut. Turn clockwise to thread into T-nut. Do not completely tighten until instructed.



Bolt and Barrel Nut Assembly

Insert barrel nut through the lock washer and press the pair through the provided hole. Insert your bolt through the second lock washer and insert the pair into the provided hole opposite from the barrel nut. Turn clockwise to thread into the barrel nut. Do not completely tighten until instructed.



Lag Assembly

Normally there will be a pre-drilled pilot hole on assemblies that require a Lag Screw. If there is no pilot hole, line up the two boards as they are to be attached and use the factory drilled hole as a guide to drill another pilot hole into the adjoining board. This will keep the wood from splitting. Only a lock washer is required for steps with Lag Screws.

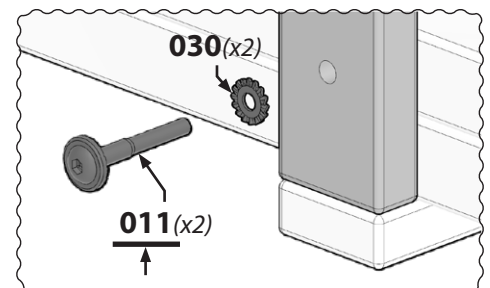
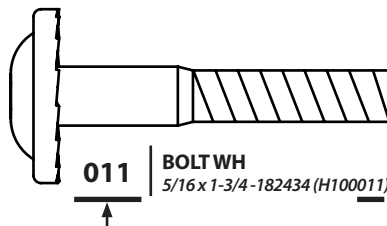
Sorting Hardware

To help with assembly we recommend sorting your hardware bags with the seven digit alpha-numeric number printed on the bags or by hardware type (i.e. bolts, nuts, etc.). Organizing your hardware will make assembly easier.



Hardware Identification

Hardware bags are printed with a seven digit alpha-numeric part number. During assembly you only need to reference the last three digits of the part number as noted in each step. This will make finding the correct hardware easier.



CONÇU POUR UNE UTILISATION PAR DES ENFANTS DE 3 - 8 ANS.

RESPECTEZ LES ÉNONCÉS ET AVERTISSEMENTS SUIVANTS POUR RÉDUIRE LA PROBABILITÉ DE BLESSURES GRAVES, VOIRE MORTELLE.

CONSERVEZ CETTE FEUILLE POUR RÉFÉRENCE ULTÉRIEURE.



MISE EN GARDE: DES BLESSURES GRAVES, VOIRE MORTELLES, À LA TÊTE PEUVENT SE PRODUIRE.

Une chute sur une surface dure peut provoquer une blessure grave, voire mortelle. N'installez pas l'équipement d'aire de jeu sur des surfaces dures comme du ciment, de l'asphalte, de la terre compactée, de la pelouse, une moquette ou sur toute autre surface dure. Surveillance continue par un adulte requise.

RENSEIGNEMENTS DE SÉCURITÉ :

1. Créez un site sans obstacles pour réduire les blessures. Maintenez une distance minimum de 2 m avec toute structure ou tout obstacle (par exemple, une barrière, un bâtiment, des branches basses pendantes, des souches et ou racines d'arbres, de grandes roches, des briques, du béton, des cordes à linge, ou des fils électriques).
2. Choisissez un emplacement de niveau pour l'équipement afin de réduire la probabilité de basculement de l'ensemble de jeu et pour que les matériaux meubles de surface ne soient pas emportés par les fortes pluies.
3. Hauteur de chute : 138,43 cm (54,5 inches). N'installez pas le produit ou un matériau de surface sur du béton, de l'asphalte, de la terre compactée, de la pelouse, de la moquette ou sur toute autre surface dure. Une chute sur une surface dure peut provoquer une blessure grave. Les directives sur les matériaux de surface des aires de jeu pour une protection acceptable contre les chutes sont incluses dans cette fiche d'instructions (tableau X3.1). Pour maintenir le niveau approprié de matériau meuble de remplissage, utilisez un confinement, comme un creusement autour du périmètre et ou le placement d'une bordure sur le périmètre paysager. La pose de tuiles en caoutchouc ou de surfaces coulées sur place (autres que les matériaux meubles) nécessite généralement un professionnel et ne sont pas des projets de bricolage.
4. Placez les plateformes métalliques et les toboggans (en métal, plastique ou autre) à l'abri de la lumière directe du soleil pour réduire la probabilité de brûlures graves. L'orientation d'un toboggan vers le nord permet de réduire au maximum son exposition au soleil.
5. Laissez suffisamment d'espace pour permettre aux enfants d'utiliser l'équipement de façon sécuritaire (p. ex., pour les structures à activités multiples, la sortie d'un toboggan ne doit pas se trouver devant une balançoire).
6. Séparez les activités actives et calmes les unes des autres (par exemple : placez les bacs à sable loin des balançoires ou utilisez

une glissière de sécurité pour séparer le bac à sable des mouvements des balançoires).

7. Assurez-vous que toutes les connexions sont serrées. **NE laissez PAS** les enfants jouer sur le produit tant que ce dernier n'est pas complètement installé.
8. Pour minimiser les risques posés par les copeaux de forage, les vis sont conçues pour percer le plastique et former leur propre filetage. Veillez à ne pas trop serrer les vis pour qu'elles tiennent les pièces ensemble de façon appropriée.

INSTRUCTIONS D'UTILISATION :

1. Assurer une supervision par un adulte en tout temps.
2. Limite : 4 enfants. Poids maximal : 34 kg (75 lb) par enfant.
3. Les enfants doivent être vêtus de manière appropriée, y compris avec de chaussures bien ajustées qui protègent parfaitement les pieds.
4. **Dites aux enfants:**
 - de ne pas balancer les sièges vides,
 - de glisser les pieds en avant, un seul enfant à la fois sur le toboggan,
 - avant de jouer sur l'équipement, d'enlever les articles qui créent des dangers s'ils s'emmêlent et balançoires, p. ex. les ponchos, les foulards et autres vêtements amples, les casques de vélo ou autres casques de sport,
 - de ne pas attacher à l'équipement de terrain de jeux des objets qui ne sont pas conçus spécifiquement pour une utilisation avec celui-ci, par exemple : les cordes à sauter, les cordes à linge, les lisses, les câbles ou les chaînes, car de tels objets posent un risque d'étranglement.
5. **Ne laissez jamais les enfants:**
 - utiliser l'équipement de manière autre que celle prévue,
 - monter sur l'équipement quand il est recouvert de neige ou qu'il est prévu,
 - utiliser ce produit lorsque les températures chutent en dessous de 0 °C (32 °F). Les produits en plastique peuvent se casser et se fissurer.
6. Ne l'utilisez pas lorsque la température est inférieure à 0°C (32°F).
7. Ratissez régulièrement la surface pour éviter le compactage et conserver une profondeur appropriée.
8. Les propriétaires doivent veiller à ce que les étiquettes d'avertissement soient lisibles, et que les enfants ne les enlèvent pas.

INSTRUCTIONS DE MISE AU REBUT:

Démontez afin d'éliminer tout danger déraisonnable. Veuillez recycler dans la mesure du possible. L'élimination doit être effectuée conformément à toutes les lois nationales.

INSPECTER CE PRODUIT AVANT CHAQUE UTILISATION. BIEN SERRER LES CONNEXIONS ET REMPLACER LES COMPOSANTS USES OU ENDOMMAGÉS. CONTACTER LA SOCIÉTÉ STEP2 POUR OBTENIR DES PIÈCES DE RECHANGE.



MISE EN GARDE: DANGER D'ÉTOUFFEMENT

Petite pièces. Assemblage par un adulte requis.



MISE EN GARDE: DANGER DE BRÛLURE

- Vérifiez toujours la température du produit avant de laisser vos enfants jouer avec.
- N'oubliez pas que le produit peut causer des brûlures si elle est laissée en plein soleil.
- Faites toujours attention au soleil et aux conditions météorologiques, et ne supposez jamais que le matériel est sûr parce que la température de l'air n'est pas très élevée.



MISE EN GARDE: RISQUE D'ÉTRANGLEMENT

des blessures graves, voire mortelles, peuvent se produire.

- **NE PAS** attacher des cordes à sauter, des cordes à linge, des lisses pour animaux de compagnie ou d'autres objets mobiles suspendus qui ne sont pas spécifiquement conçus une utilisation avec cet équipement.
- **NE PAS** permettre aux enfants de porter des foulards, des gants avec des cordons dans les manches, ou des vêtements comme des capes, ponchos ou avec des cordons autour du cou.
- **NE PAS** permettre aux enfants de porter un casque quand ils jouent sur l'équipement.
- **NE PAS** permettre aux enfants de porter des objets autour du cou comme des colliers, des gourdes, des sacs à main et des jumelles.

Fiche d'information du consommateur sur les matériaux de surface des terrains de jeux

Profondeur minimum des matériaux meubles de surface tassés

pouces	de (matériaux meubles) protègent une	chute de (pieds)
9	Caoutchouc broyé/recyclé	10
9	Sable	4
9	Gravier	5
9	Paillis de bois (sans CCA)	7
9	Copeaux de bois	10

Tableau X3.1

Ces informations sont extraites des publications CPSC, « Surfaçage des terrains de jeux-Guide technique ». Pour vous procurer des exemplaires de ces publications, envoyez une carte postale à : Office of Public Affairs, U.S. Consumer Product Safety Commission, Washington, D.C., 20207 ou appelez la ligne directe sans frais : 1-800-638-2772.

• X3.1 La « Consumer Product Safety Commission » des États-Unis (CPSC) estime qu'environ 100 000 blessures provoquées par des chutes lors de l'utilisation de jeux de plein air sont traitées dans les services d'urgence des hôpitaux américains. Les chutes sont la cause des blessures les plus graves sur les terrains de jeux. Lorsqu'elles sont à la tête, ces blessures peuvent s'avérer mortelles. Le type de surface supportant et entourant les équipements de jeux contribue considérablement aux types de blessures provoquées par une chute. Il est évident qu'une surface amortissant les chocs diminue les risques de blessures graves par chute comparativement à une surface dure.

L'équipement des terrains de jeux ne doit jamais être installé sur des surfaces dures en ciment ou en asphalte par exemple. Bien que la pelouse semble être une surface acceptable, elle peut rapidement se tasser sous les passages fréquents. Les copeaux de bois ou d'écorce,

le sable doux et le gravier rond sont des exemples de surfaces qui amortissent les chocs lorsqu'ils sont installés et entretenus sur une épaisseur suffisante sous et autour de l'équipement du terrain de jeux.

• X3.2 Le tableau X3.1 indique la hauteur maximale de chute, sur cinq surfaces différentes servant à recouvrir des terrains de jeux, et ne devant pas provoquer de blessures mortelles si ces surfaces sont installées et entretenues sur une épaisseur de 23 cm (9 po). Cependant, quelle que soit la surface, il est impossible de prévenir toutes les blessures provoquées par des chutes.

• X3.3 Il est recommandé que la surface de protection recouvre le terrain de jeux sur un périmètre d'au moins 2 m (6,5 pieds) autour du matériel fixe, portique d'escaude, glissade, etc. Cependant, par mesure de précaution, les enfants pouvant de manière délibérée sauter d'une balançoire en mouvement, la surface de protection doit

recouvrir le terrain situé devant et derrière la balançoire sur une longueur égale à au moins 2 fois la hauteur entre le sol et le point pivot de la structure de soutien.

• X3.4 Ces informations sont destinées à faciliter la comparaison des propriétés d'absorption relative des chocs de divers matériaux. Aucun matériau particulier n'est recommandé par rapport à un autre. Cependant, chaque matériau n'est efficace que s'il est correctement entretenu. Les matériaux doivent être régulièrement vérifiés et complétés afin de maintenir la profondeur suffisante déterminée nécessaire pour votre équipement. Le choix d'un matériau dépend du type et la hauteur de l'aire de jeux, de la disponibilité des matériaux dans la région et de son coût.

VEUILLEZ CONSERVER CETTE FICHE POUR RÉFÉRENCE ULTÉRIEURE.

Instructions pour un entretien correct

Votre structure Step2 est conçue et construite avec des matériaux de qualité. Comme tous les produits d'extérieur, elle sera exposée aux intempéries et à l'usure. Pour optimiser l'utilisation, la sécurité et la durée de vie de votre structure, il est important que vous l'entretenez correctement.

À propos de notre bois

Step2 utilise du bois de cèdre (C. Lanceolata) à 100%. Bien que nous choissions avec le plus grand soin du bois d'excellente qualité, le bois reste un produit naturel vulnérable aux intempéries, ce qui peut modifier l'apparence de votre ensemble.

Quelles sont les causes du vieillissement? Cela affectera-t-il la résistance de mon produit?

Les effets de l'eau (l'humidité) sont l'une des principales causes du vieillissement. La teneur en humidité du bois à la surface est différente de celle de l'intérieur du bois. Quand le temps change, l'humidité pénètre ou ressort du bois, ce qui provoque des tensions qui peuvent entraîner de la fissuration et du gauchissement.

Vous pouvez vous attendre à ce qui suit en raison du vieillissement. Ces modifications n'affecteront pas la solidité du produit:

1. La **fissuration** correspond à des fissures superficielles dans le bois le long du grain. Un poteau (4" x 4") subira davantage de fissuration qu'une planche (1" x 4") car la teneur en humidité de la surface et de l'intérieur variera plus largement que dans un bois plus fin.

2. Le **gauchissement** résulte de toute déformation (torsion, courbure) du plan original de la planche et se produit souvent à cause d'une humidification et d'un séchage rapides du bois.

3. La **décoloration** se produit comme un changement naturel de la couleur du bois, dû à l'exposition à la lumière du soleil, qui deviendra grise au fil du temps.

Comment puis-je réduire la résistance au vieillissement des produits en bois?

1. Votre produit de bois est enduit d'une teinture à base aqueuse. La lumière du soleil décomposera le revêtement. Nous vous recommandons donc d'appliquer une nouvelle couche d'hydrofuge ou de teinture tous les ans (consultez votre fournisseur de peinture et de teinture local pour savoir quel produit utiliser). Vous devez appliquer un produit de protection (mastic) sur le bois de votre produit. **Veillez noter que ceci fait partie des clauses de la garantie.**

La plupart des vieillissements sont la conséquence normale de l'influence de la nature et n'affecteront pas la sécurité. Toutefois, si vous pensez qu'une pièce a connu de graves problèmes de vieillissement, appelez notre service clientèle pour obtenir de l'aide.

2. Inspectez les pièces en bois tous les mois. Le grain du bois se soulève parfois pendant la saison sèche, ce qui provoque l'apparition d'éclats. Un ponçage léger peut être nécessaire pour garder un environnement sûr. Le fait de traiter votre produit avec un produit de protection (mastic) après le ponçage aidera à prévenir les fissures/ éclats et autres dommages dus aux intempéries.

IL EST IMPORTANT DE VÉRIFIER ET DE SERRER TOUT LE MATÉRIEL EN DÉBUT ET AU COURS DE LA SAISON DE JEU, CAR ILS PEUVENT SE DÉSERRER EN RAISON DE LA DILATATION ET DE LA CONTRACTION DU BOIS.

En début de chaque saison de jeu

- Serrez tout le matériel.
- Vérifiez tous les revêtements de protection sur les boulons, les tuyaux, les bords et les coins. Remplacez-les s'ils sont desserrés, fissurés ou manquants.
- Contrôlez tous les éléments en bois pour détecter des traces de détérioration et d'éclats. Poncez les éclats et remplacez les éléments en bois détériorés.
- Réinstallez toutes les pièces en plastique, telles que les sièges pivotants ou tout autre article retiré pour les mois les plus froids.
- Ratissez et contrôlez la profondeur des matériaux de revêtement de protection de l'isolant en vrac afin d'éviter tout compactage et de maintenir une profondeur appropriée. Remplacez si nécessaire.

Deux fois par mois pendant la saison de jeu

- Serrez tout le matériel.
- Vérifiez tous les revêtements de protection sur les boulons, les tuyaux, les bords et les coins. Remplacez-les s'ils sont desserrés, fissurés ou manquants.
- Ratissez et contrôlez la profondeur des matériaux de revêtement de protection de l'isolant en vrac afin d'éviter tout compactage et de maintenir une profondeur appropriée. Remplacez si nécessaire.

À la fin de chaque saison de jeu ou lorsque la température tombe en dessous de 0 °C

- Enlevez les sièges de balançoire en plastique et les autres articles spécifiés par le fabricant et ramenez-les à l'intérieur ou évitez de les utiliser.
- Ratissez et contrôlez la profondeur des matériaux de revêtement de protection de l'isolant en vrac afin d'éviter tout compactage et de maintenir une profondeur appropriée. Remplacez si nécessaire.

Maintenance supplémentaire

- Vérifiez le matériel toutes les deux semaines en raison de la dilatation et de la contraction du bois. Il est particulièrement important que cette procédure soit suivie en début de chaque saison.
- Inspectez les pièces en bois tous les mois. Le grain du bois se soulève parfois pendant la saison sèche, ce qui provoque l'apparition d'éclats. Un ponçage léger peut être nécessaire pour maintenir un environnement de jeu sécurisé. Traitez régulièrement votre ensemble de jeu avec une teinture afin d'empêcher les fuites importantes et les dégâts dus aux intempéries.
- Une teinture transparente aqueuse a été appliquée sur votre ensemble de jeu. Cela doit être fait pour la couleur uniquement. Une ou deux fois par an, selon les conditions climatiques, vous devez appliquer un produit de protection (mastic) sur le bois de votre ensemble. Avant l'application du mastic, poncez légèrement les zones « difficiles » de votre plateau de jeu. Veuillez noter que ceci fait partie des clauses de la garantie.
- Il est très important de réaliser le montage et la maintenance de l'ensemble de jeu à un endroit nivelé. Au fur et à mesure que vos enfants joueront, votre parc de jeu s'enfoncera lentement dans le sol et il est très important qu'il se stabilise de manière uniforme. Vérifiez que l'ensemble de jeu est parfaitement nivelé une fois par an (ou en début de chaque saison de jeu).

Instructions de mise au rebut

Lorsque l'utilisation du Centre de jeux n'est plus souhaitée, vous devez le désassembler et en disposer de manière à éviter tout risque déraisonnable au moment où l'unité est mise au rebut.

Assemblage par un tiers

Le client peut, à son gré, choisir de faire appel à une personne ou à un service tiers pour assembler ce produit. Step2 n'assume aucune responsabilité pour les frais engagés par le client pour tout service de montage. Veuillez consulter notre garantie pour plus d'informations sur la couverture de remplacement de pièce endommagée ou manquante. Step2 ne remboursera pas le client pour le prix des pièces achetées.

Garantie Limitée

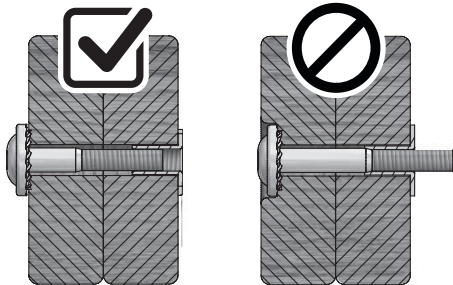
La garantie du produit est disponible en ligne sur:
www.Step2.com www.Step2.custhelp.com/app/answers/detail/a_id/176

LES PROPRIÉTAIRES SONT RESPONSABLES DU MAINTIEN DE LA LISIBILITÉ DES ÉTIQUETTES D'AVERTISSEMENT

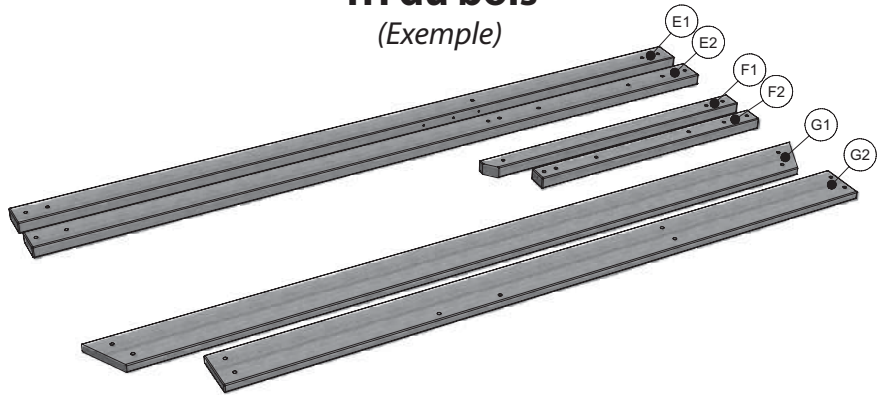
Conseils d'assemblage

Risque lié aux protubérances

Si les filets sont exposés, vérifiez que le matériel est correct. Si trop serré, ajoutez des rondelles pour éliminer la protubérance.

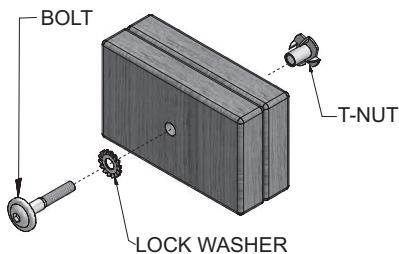


Tri du bois (Exemple)



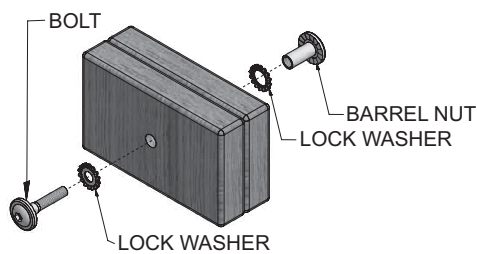
Lorsque vous sortez le bois des boîtes, nous vous recommandons de les classer par numéro de pièce avant de commencer l'assemblage. Cela permettra un assemblage plus rapide et permettra d'identifier facilement toutes les pièces manquantes ou endommagées.

Bon assemblage du matériel



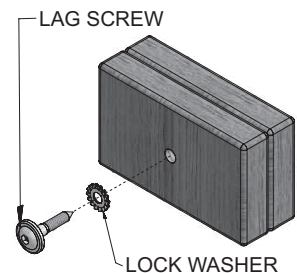
Assemblage du boulon et de l'écrou en T

Taraudez l'écrou en T dans le trou présent. Insérez votre boulon dans la rondelle de blocage et insérez-le dans le trou prévu à l'opposé de l'écrou en T. Tournez dans le sens des aiguilles d'une montre pour enfiler l'écrou en T. Ne serrez pas complètement avant d'en recevoir l'instruction.



Assemblage du boulon et de l'écrou à manchon

Insérez un écrou à manchon dans la rondelle de blocage et pressez la paire dans le trou présent. Insérez votre boulon dans la deuxième rondelle de blocage et insérez la paire dans le trou prévu à l'opposé de l'écrou à manchon. Tournez dans le sens des aiguilles d'une montre pour enfiler l'écrou. Ne serrez pas complètement avant d'en recevoir l'instruction.

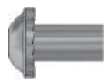


Assemblage de la vis de compression

Normalement, il devrait y avoir un trou de guidage prépercé sur les assemblages nécessitant une vis de compression. S'il n'y a pas de trou de guidage, alignez les deux planches pour les attacher et utilisez le trou percé en usine comme guide pour percer un autre trou de guidage dans la carte contiguë. Cela empêchera le bois de se fendre. Seule une rondelle de blocage est nécessaire pour les étapes avec les vis de compression.

Tri du matériel

Pour vous aider lors de l'assemblage, nous vous recommandons de trier vos sacs avec le numéro alphanumérique à sept chiffres imprimé sur les sacs ou par type de matériel (par exemple, boulons, écrous, etc.). L'organisation de votre matériel facilitera l'assemblage.



BARREL NUT
H100545



SCREW
H100695



T-NUT
H100699



WASHER FLAT
H100706



BOLT HEX
H100716



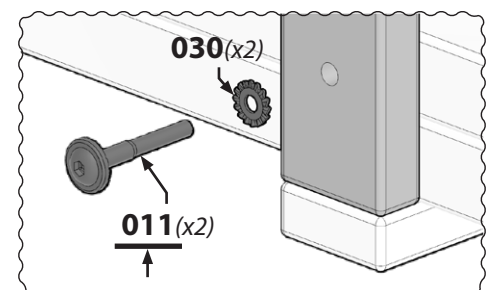
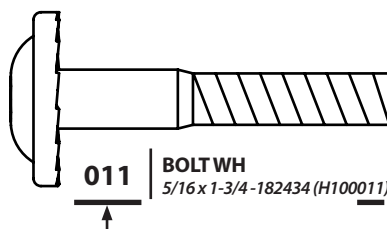
BOLT
H100718



SCREW PWH
H100742

Identification du matériel

Les sacs de matériel sont imprimés avec un numéro de pièce alphanumérique à sept chiffres. Lors de l'assemblage, il vous suffit de référencer les trois derniers chiffres du numéro de pièce, comme indiqué à chaque étape. Cela facilitera la recherche du bon matériel.



SE RECOMIENDA EL USO DE ESTE PRODUCTO PARA NIÑOS 3 - 8 AÑOS.

RESPECTE LAS SIGUIENTES RECOMENDACIONES Y ADVERTENCIAS PARA DISMINUIR LA PROBABILIDAD DE SUFRIR LESIONES GRAVES O MORTALES.

CONSERVE ESTA HOJA PARA SU CONSULTA EN EL FUTURO.

ADVERTENCIA: RIESGO DE ASFIXIA

Contiene piezas pequeñas. Puntas afiladas. Requiere montaje por parte de un adulto.

ADVERTENCIA: RIESGO DE QUEMADURAS

- Verifique siempre la temperatura del producto antes de permitir que los niños jueguen con él.
- Recuerde que el producto puede provocar quemaduras si se deja en la luz directa del sol.
- Siempre tenga en cuenta el sol y las condiciones climáticas y no asuma que el equipo es seguro debido a que la temperatura del aire no es demasiado elevada.

ADVERTENCIA: RIESGO DE ESTRANGULACIÓN

Pueden ocurrir lesiones graves o mortales.

- **NO** ate cuerdas de saltar, tendedores, correas de animales u otros objetos que cuelguen, que no estén específicamente diseñados para usarse con este equipo.
- **NO** permita que los niños usen bufandas, guantes sujetos con cordones a las mangas, ni prendas como capas, ponchos o con cordones en el cuello.
- **NO** permita que los niños usen casco cuando juegan en este equipo.
- **NO** permita que los niños lleven objetos colgados del cuello tales como collares, cantimploras, bolsos y binoculares.



ADVERTENCIA: LESIONES DE CABEZA GRAVES O LESIONES MORTALES

Las caídas en superficies duras pueden ocasionar lesiones graves o mortales. No instale juegos en superficies duras tales como hormigón, asfalto, tierra apisonada, césped, moqueta ni ninguna otra superficie dura. Se requiere la supervisión de un adulto.

INFORMACIÓN DE SEGURIDAD:

1. Para reducir lesiones, asegúrese que la zona se encuentre libre de obstáculos. Mantenga una distancia mínima de por lo menos 2 m (6,5 pies) de estructuras u obstrucciones tales como cercas, edificios, ramas bajas, tocones y/o raíces de árboles, rocas grandes, ladrillos, hormigón, edificios, garajes, casas, ramas bajas, o cables eléctricos.
2. Elija un área nivelada para el equipo a fin de reducir la probabilidad de que éste se vuelque y para evitar que las lluvias fuertes arrastren el material suelto de la superficie amortiguadora.
3. Altura de caída: 138,43 cm (54,5 inches). No instale el producto o el material de superficie amortiguadora en hormigón, asfalto, tierra apisonada, césped, moqueta ni ninguna otra superficie dura. Las caídas en superficies duras pueden ocasionar lesiones graves. Se incluyen en la hoja de instrucciones (ver la tabla X3.1) las indicaciones para que los Materiales de Superficies de Juego constituyan una protección adecuada contra caídas. Para mantener el nivel apropiado de material suelto de amortiguación, use el método de contención ya sea excavando alrededor del perímetro y/o revisiendo el perímetro con rebordeo para paisajismo. La instalación de baldosas de goma o superficies moldeadas in situ (que difieren del material suelto de amortiguación) no es un proyecto que pueda hacer usted mismo y requiere, por lo general, de un profesional.
4. Ubique las plataformas de metal no recubierto y los toboganes (de metal, plástico u otro material) fuera de la luz solar directa para reducir la probabilidad de quemaduras graves. Un tobogán que mira hacia el norte recibirá menor cantidad de luz solar directa.
5. Proporcione suficiente espacio para que los niños utilicen el equipo de manera segura. (Por ejemplo: en estructuras con múltiples actividades un tobogán un tobogán no debe colocarse delante de un columpio, delante de un columpio).
6. Separe las actividades activas de las pasivas. (Por ejemplo: ubique los areneros alejados de los columpios o utilice una barrera para separar el arenero del movimiento de los columpios).
7. Asegúrese de que todas las conexiones estén ajustadas. **NO** permita que los niños jueguen en el producto hasta que no esté

- completamente montado.
8. Para minimizar los riesgos asociados a las virutas de taladro, los tornillos están diseñados para perforar el plástico y formar su propia rosca. Procure no apretar demasiado los tornillos, ya que podrían no asegurar a los pies correctamente.

INSTRUCCIONES DE FUNCIONAMIENTO:

1. Este producto requiere supervisión adulta en todo momento.
2. Límite: 4 niños. Peso máximo del usuario: 34 kg (75 lb) por niño.
3. Vista a los niños adecuadamente, lo cual incluye zapatos que calcen bien y que protejan los pies completamente.
4. **Asegúrese de que los niños:**
 - se sienten en el centro del columpio con el peso completo en el asiento.
 - eviten columpiar asientos vacíos.
 - se deslicen con los pies por delante, un niño a la vez.
 - se quiten antes de jugar en el equipo, objetos que puedan suponer un riesgo al quedar enredados y enganchados. Tales objetos incluyen: ponchos, bufandas y otras prendas sueltas, también cascos que se utilizan para bicicleta o para otros deportes.
 - no aten en el juego objetos que no estén específicamente diseñados para usarse con el mismo. Por ejemplo: cuerdas de saltar, tendedores, correas de animales, cables y cadeas, ya que pueden suponer un riesgo de estrangulación.
5. **Nunca permita que los niños:**
 - utilicen el equipo de una manera para la que no fue diseñado.
 - se suban al juego cuando esté húmedo o cubierto de nieve.
 - utilicen el equipo cuando las temperaturas sean inferiores a 0 °C (32 °F). Los materiales plásticos pueden quebrarse y agrietarse.
6. No utilicen el equipo cuando las temperaturas sean inferiores a 0 °C (32 °F).
7. Rastrille periódicamente la superficie amortiguadora para evitar que se compacte y para mantener la profundidad adecuada.
8. Los dueños deben responsabilizarse de que las etiquetas de advertencia permanezcan legibles y que los niños no las quiten del producto.

COLUMPIO NI LAS ENLACEN PARA LA ELIMINACIÓN:

Desármelo para evitar riesgos innecesarios. Recicle los componentes si tiene la posibilidad. La eliminación de este producto se debe realizar de conformidad con la normativa gubernamental.

INSPECCION ESTE PRODUCTO ANTES DE CADA USO. FIJE FIRMEMENTE LAS CONEXIONES Y SUSTITUYA LAS PIEZAS DAÑADAS O DESGASTADAS. PÓNGASE EN CONTACTO CON STEP2 COMPANY SI NECESITA PIEZAS DE REPUESTO.

Hoja de información al consumidor sobre Materiales de Superficies de Juego

Profundidad mínima de la superficie amortiguadora		
Pulgadas de	(superficie amortiguadora) protege hasta	altura de caída (pies)
9	Caucho reciclado/triturado	10
9	Arena	4
9	Gravilla	5
9	Acolchado de madera (sin CCA)	7
9	Astillas de madera	10

Tabla X3.1

Esta información se ha extraído de las publicaciones de CPSC "Superficies de juego - Guía de información técnica" (Playground Surfacing-Technical Information Guide). Se pueden obtener copias de esta publicación enviando una postal a: Office of Public Affairs, U.S. Consumer Product Safety Commission, Washington, D.C., 20207 o llamando a la línea de asistencia gratuita: 1-800-638-2772.

• X3.1 La Comisión de Seguridad de Productos de Consumo de EE.UU. (CPSC - Consumer Product Safety Commission) calcula que en salas de emergencia de hospitales de EE.UU., se tratan aproximadamente 100.000 lesiones al año relacionadas con caídas de juegos de parque. Dichas lesiones se encuentran entre las más graves dentro de las relacionadas con juegos de parque y pueden llegar a ser mortales, especialmente si son en la cabeza. La superficie debajo y alrededor del juego puede ser un factor muy importante para determinar el potencial de una lesión provocada por una caída. Es evidente que una caída en una superficie amortiguadora tiene menos probabilidad de causar una lesión grave que una caída en una superficie dura.

Nunca deben instalarse los juegos en superficies duras como hormigón o asfalto y si bien el césped puede parecer una superficie aceptable, puede tomarse rápidamente en tierra compacta en zonas de mucho tránsito. Tanto el acolchado de

corteza triturada, como las astillas de madera y la grava o arena fina se consideran superficies amortiguadoras aceptables cuando se instalan y mantienen a suficiente profundidad debajo y alrededor del juego.

• X3.2 La Tabla X3.1 indica la altura máxima de caída en cinco superficies amortiguadoras diferentes, donde no se espera que un niño sufra una lesión en la cabeza que ponga en riesgo su vida, si se instalan y mantienen a una profundidad de 23cm (9 pulg.) Sin embargo ha de admitirse que, sin importar el material de superficie que se utilice, no pueden prevenirse todas las lesiones ocasionadas por caídas.

• X3.3 Se recomienda que el material amortiguador se extienda un mínimo de 2m (6,5 pies) en todas las direcciones desde el perímetro de juegos fijos como equipos para trepar y toboganes. Sin embargo debido a que los niños pueden saltar de forma deliberada de un columpio en movimiento,

se recomienda que el material de amortiguación, delante y detrás del columpio, se extienda una distancia mínima de 2 veces la altura del centro de giro medido en un punto que esté directamente debajo del pivote en la estructura de apoyo.

• X3.4 El objetivo de esta información es asistir en la comparación de las propiedades relativas de amortiguación de diferentes materiales. No se recomienda ninguno en particular. Sin embargo, todo material es efectivo solamente si recibe el mantenimiento adecuado. Inspecciónelo periódicamente y rellénelo para mantener la profundidad apropiada que requiera su equipo. La elección de material depende del tipo y altura del juego, del coste y de la disponibilidad de material en su área.

CONSERVE ESTA HOJA PARA SU CONSULTA EN EL FUTURO.

Instrucciones para un montaje correcto

Tu estructura de Step2 está diseñada y construida con materiales de calidad. Como ocurre con cualquier producto de exterior, sufrirá los efectos del clima y se desgastará. Para maximizar la diversión, la seguridad y la duración de esta estructura, es importante mantenerla correctamente.

Sobre nuestra madera

Step2 emplea madera de cedro 100 % (C. Lanceolata). Seleccionamos cuidadosamente la mejor madera posible. Sin embargo, la madera es un material natural que sufre desgaste cuando se encuentra a la intemperie, lo que puede alterar el aspecto de su producto.

¿Qué provoca el desgaste? ¿Afecta a la resistencia de mi producto?

Una de las causas principales del envejecimiento de la madera es el agua que contiene (humedad). La cantidad de humedad presente es diferente en la superficie que en el interior de la madera. Cuando las condiciones meteorológicas cambian, la humedad se mueve, entrando o saliendo de la madera, lo que provoca tensiones que pueden provocar fendas (grietas) y deformaciones. Se puede esperar que ocurra lo siguiente como resultado de la exposición a las inclemencias del tiempo, que no afectará a la resistencia del producto:

1. Las **fendas** son grietas superficiales de la madera en la dirección de las fibras. Un poste de 4" x 4" (10 cm x 10 cm) se verá más afectado por las fendas que una tabla de 1" x 4" (2,5 cm x 10 cm), ya que en el poste la diferencia de humedad entre la superficie y el interior de la madera variará más que en tablas finas.

2. Las **deformaciones** son distorsiones (abarquillamientos, alabeos) respecto al plano original de la tabla y a menudo se producen como consecuencia de humedecerse y secarse rápidamente la madera.

3. La **decoloración** es un cambio natural del color de la madera como resultado de la exposición a la luz del sol. Con el tiempo se irá volviendo gris.

¿Cómo puedo reducir el desgaste de un producto de madera?

1. La madera de este producto está tratada con un tinte al agua. La luz del sol lo descompondrá, por lo que recomendamos aplicar un repelente para el agua o un tinte una vez al año (consulte el producto más adecuado con su tienda local de pinturas y tintes). Necesitará aplicar algún tipo de protección (sellador) a la madera. **Nota: Hacerlo es un requisito imprescindible para que la garantía sea válida.** La mayor parte de los efectos de las inclemencias meteorológicas son un resultado normal de la naturaleza y no afectarán a la seguridad. No obstante, si le preocupa que alguna pieza haya podido experimentar un envejecimiento grave, le rogamos que llame a nuestro departamento de servicio al cliente para obtener asistencia.

2. Revise mensualmente las piezas de madera. En la estación seca, es posible que las fibras de la madera se levanten y aparezcan astillas que podría ser necesario lijar ligeramente por seguridad. Tratar el producto con un material de protección (sellador) tras el lijado ayudará a evitar que aparezcan fendas o grietas graves, u otros daños resultados de las inclemencias del tiempo.

ES IMPORTANTE REVISAR Y APRETAR TODA LA TORNILLERÍA AL PRINCIPIO DE LA TEMPORADA DE JUEGOS (Y DURANTE TODA SU DURACIÓN), YA QUE PODRÍA AFLOJARSE COMO CONSECUENCIA DE LA DILATACIÓN Y CONTRACCIÓN DE LA MADERA.

Al inicio de cada temporada de juegos

- Apriete toda la tornillería.
- Compruebe todas las protecciones de pernos, conductos, bordes y esquinas y sustitúyalas si se han aflojado, tienen grietas o se han perdido.
- Compruebe que ninguno de los elementos de madera esté deteriorado o astillado. Lije las astillas y sustituya los elementos de madera deteriorados.
- Vuelva a colocar las piezas de plástico, como asientos de columpios o cualquier otro, que se hayan retirado durante la estación fría.
- Rastrille y compruebe la profundidad de los materiales de relleno utilizados para proteger contra golpes con el suelo. El objetivo es evitar que se compacten y asegurarse de que tengan una profundidad adecuada. Sustitúyalos si fuera necesario.

Dos veces al mes durante la temporada de juegos

- Apriete toda la tornillería.
- Compruebe todas las protecciones de pernos, conductos, bordes y esquinas y sustitúyalas si se han aflojado, tienen grietas o se han perdido.
- Rastrille y compruebe la profundidad de los materiales de relleno utilizados para proteger contra golpes con el suelo. El objetivo es evitar que se compacten y asegurarse de que tengan una profundidad adecuada. Sustitúyalos si fuera necesario.

Al finalizar la temporada de juegos o si la temperatura desciende por debajo de los 32° F (0° C)

- Retire los asientos de plástico de los columpios y otros elementos especificados por el fabricante, guárdelos en el interior o no los use.
- Rastrille y compruebe la profundidad de los materiales de relleno utilizados para proteger contra golpes con el suelo. El objetivo es evitar que se compacten y asegurarse de que tengan una profundidad adecuada. Sustitúyalos si fuera necesario.

Mantenimiento adicional

- Debido a los efectos de la dilatación y contracción de la madera, compruebe su tornillería cada dos semanas. Es especialmente importante hacerlo al principio de cada temporada.
- Revise mensualmente las piezas de madera. En la estación seca, es posible que las fibras de la madera se levanten y aparezcan astillas que podría ser necesario lijar ligeramente por seguridad. Aplique periódicamente un tinte al producto para evitar que aparezcan fendas o grietas graves, u otros daños como resultado de las inclemencias del tiempo.
- Su estructura de juegos se ha tratado con un tinte transparente al agua. Su objetivo es únicamente dar color. Una o dos veces al año, dependiendo de las condiciones climáticas de su zona, es necesario aplicar algún tipo de protección (sellador) a la madera de su producto. Antes de aplicar el sellador, lije suavemente cualquier zona de su producto que note más áspera. Nota: Hacerlo es imprescindible para que la garantía sea válida.
- Es muy importante que esta estructura de juegos se monte y se coloque en una zona nivelada. A medida que jueguen sus hijos, la estructura irá hundándose en el suelo y es muy importante que se asiente de forma uniforme. Cada año, o al inicio de la temporada de juegos, asegúrese de que la estructura esté nivelada y horizontal.

Instrucciones de desecho

Cuando ya no se desee utilizar esta estructura de juegos, debería desmontarse y desecharse de forma que no cree ningún riesgo que en el momento de desecharla sea razonable pensar que pudiera existir.

Montaje por terceros

El cliente puede, bajo su criterio y responsabilidad, decidir que el montaje lo realice un tercero. Step2 no asume ningún tipo de responsabilidad respecto a los posibles costes de montaje incurridos por el cliente. Consulte en nuestra garantía más información sobre la cobertura de sustitución de piezas dañadas o no incluidas erróneamente. Step2 no compensará económicamente al cliente por el precio de las piezas que compre.

Garantía Limitada

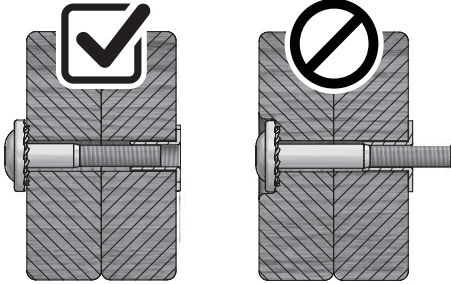
La garantía del producto se puede encontrar en línea en:

www.Step2.com www.Step2.custhelp.com/app/answers/detail/a_id/176

Consejos de montaje

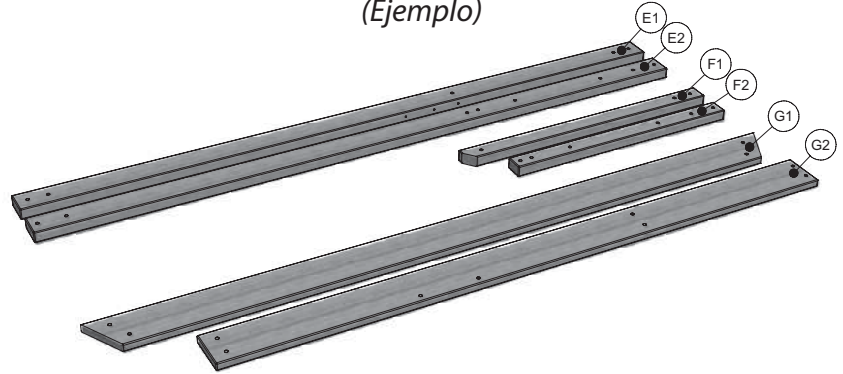
Riesgo por tornillería que sobresale

Si se ven las roscas, compruebe que la tornillería sea la correcta. En caso de que algún tornillo o similar esté excesivamente apretado, añada arandelas para evitar que sobresalga.



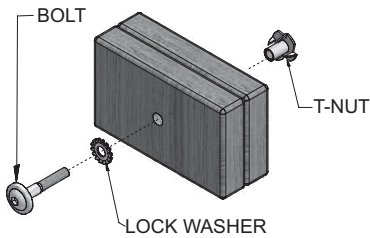
Cómo ordenar las piezas de madera

(Ejemplo)



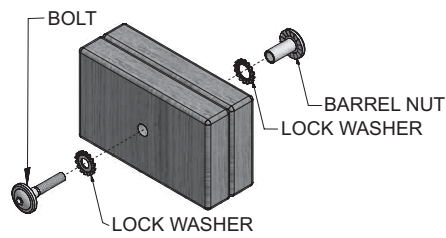
Recomendamos que, cuando saque los componentes de madera de las cajas, los ordene por referencias antes de empezar el montaje. Esto hará que el montaje sea más rápido y le ayudará a identificar fácilmente las piezas que puedan faltar o estar dañadas.

Montaje correcto de la tornillería



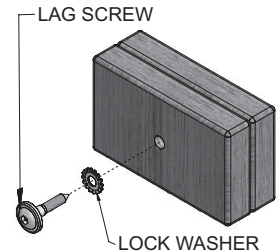
Montaje de pernos y tuercas para clavar

Introduzca la tuerca, golpeándola, en el orificio existente. Inserte el perno a través de la arandela de seguridad y dentro del orificio existente, situado en la parte opuesta a la tuerca de clavar. Gírelo en el sentido de las agujas del reloj para enroscarlo en el interior de la tuerca. No lo apriete del todo hasta que se le indique



Montaje del conjunto de perno y tuerca de ensamblaje

Inserte la tuerca de ensamblaje a través de la arandela y presione ambas piezas dentro del orificio existente. Inserte el perno a través de la segunda arandela de seguridad e introduzca este par de piezas en el orificio existente, situado en la parte opuesta a la tuerca de ensamblaje. Gírelo en el sentido de las agujas del reloj para enroscarlo en el interior de la tuerca. No lo apriete del todo hasta que se le indique.



Montaje de tirafondos

Normalmente habrá un agujero guía pretaladrado en los elementos que requieran utilizar tirafondos. Si no hay ningún agujero guía, alinee las dos tablas en la posición en que vaya a fijarlas y utilice el orificio perforado de fábrica como guía para taladrar otro en la tabla adyacente. Esto evitará que la madera se parta. En los pasos en que se utilicen tirafondos, tan solo hace falta utilizar una arandela de seguridad.

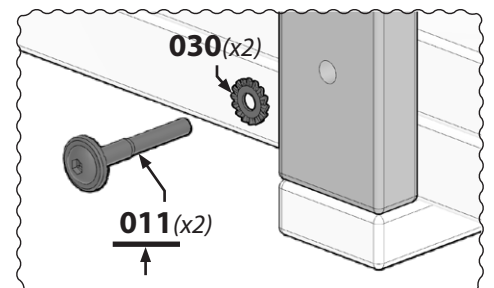
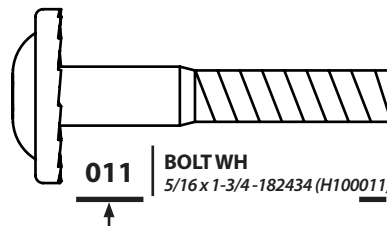
Cómo ordenar la tornillería

Para facilitar el montaje, recomendamos ordenar las bolsas de tornillería de acuerdo al código alfanumérico que llevan impresas o en función del tipo de elemento de que se trate (es decir, pernos, tuercas, etc.). Ordenar la tornillería hará más fácil el montaje.



Identificación de la tornillería

Las bolsas tienen impresa una referencia alfanumérica de siete dígitos. Durante el montaje solo necesitará consultar los tres últimos números de las referencias, que se indican en cada paso. Esto facilitará encontrar los elementos de tornillería correctos.



PRODOTTO INTESO PER L'USO DA PARTE DI BAMBINI DAI 3 - 8 ANNI.

OSSERVARE LE SEGUENTI DICHIARAZIONI E AVVERTENZE PER RIDURRE IL RISCHIO DI INFORTUNI GRAVI O FATALI.

CONSERVARE QUESTO FOGLIO PER FUTURO RIFERIMENTO.



AVVERTENZE: POSSONO VERIFICARSI LESIONI ALLA TESTA O MORTE.

Cadere su una superficie dura può causare lesioni personali gravi o morte. Non installare l'attrezzatura per terreno da gioco su superfici dure quali asfalto, cemento, terra battuta, erba, tappeti o altre superfici resistenti. Si richiede la supervisione di un adulto.

INFORMAZIONI SULLA SICUREZZA:

1. Creare uno spazio privo di ostacoli per ridurre il rischio di lesioni. Mantenere una distanza minima di 2 m da strutture o da ostacoli (per esempio: recinzione, edifici, rami bassi sovrastanti, radici/ceppi di alberi, massi, mattoni, garage, case, cemento o cavi elettrici).
2. Scegliere un'area piana per installare l'attrezzatura in modo da ridurre la probabilità che l'unità si rovesci e che i materiali "di scarsa aderenza alle superfici" siano trascinati via durante piogge abbondanti.
3. Altezza di caduta: 138,43 cm (54,5 inches). Non installare il prodotto o il materiale di superficie sopra cemento, asfalto, terra battuta, erba, tappeti o altre superfici dure. Le cadute su superfici dure potrebbero comportare gravi lesioni personali. Nel foglio di istruzioni (vedere tabella X3.1) sono riportate le linee guida per i materiali di superficie del terreno di gioco per garantire una protezione da caduta sufficiente. Per mantenere il livello adeguato di materiale "di scarsa aderenza", utilizzare tecniche di contenimento quali scavi intorno al perimetro e/o allineamenti con la bordatura del terreno. Le installazioni di mattonelle di gomma e superfici gettate in opera (diverse da materiali "con scarsa aderenza alle superfici") richiedono generalmente un professionista e non sono progetti indicati per il "fai-da-te".
4. Posizionare le piattaforme e gli scivoli di metallo non rivestito (metallo, plastica o altro) al riparo da luce solare diretta per ridurre la probabilità di ustioni gravi. Uno scivolo rivolto verso nord riceverà meno luce solare diretta.
5. Dotare di spazio a sufficienza in modo che i bambini possano utilizzare l'attrezzatura in modo sicuro (per esempio: per strutture con più attività, uno scivolo non dovrebbe uscire di fronte a un'altalena).
6. Separare le attività più tranquille da quelle dinamiche (per esempio: collocare i piccoli recinti di sabbia lontano dalle altalene o utilizzare una barriera di protezione per separare il piccolo recinto di sabbia dai movimenti delle altalene).
7. Verificare accuratamente che tutti i collegamenti siano ben saldi. **NON** permettere ai bambini di giocare con l'attrezzatura prima che

questa sia stata completamente assemblata.

8. Per ridurre al minimo i rischi causati da trucioli di trapanatura, le viti sono progettate per forare la plastica e formare filetti. Fare attenzione a non stringere eccessivamente le viti, in modo da impedire che i componenti siano collegati in modo non appropriato.

ISTRUZIONI DI FUNZIONAMENTO:

1. È necessaria la supervisione costante da parte di un adulto.
2. Limite: 4 bambini. Peso massimo dell'utilizzatore: 34 kg (75 lb) per bambino.
3. Vestire i bambini in modo appropriato, incluse scarpe della misura appropriata che proteggano completamente i piedi.
4. **Insegnare ai bambini a:**
 - far scivolare prima i piedi; un bambino alla volta sullo scivolo,
 - rimuovere oggetti, prima di utilizzare il giocattolo, che possono creare pericoli se aggrovigliati e afferrati. Alcuni esempi: poncho, scarpe e altri indumenti larghi, caschi per il ciclismo o per altri sport,
 - non attaccare articoli all'attrezzatura del terreno di gioco che non siano stati specificatamente progettati per questo uso, per esempio: corde da salto, fili per il bucato, guinzagli, cavi e catene poiché potrebbero provocare un rischio di strangolamento.
5. **NON permettere MAI ai bambini di:**
 - usare l'attrezzatura in modo diverso da quanto previsto,
 - arrampicarsi sull'attrezzatura quando è coperta di neve o bagnata.
 - utilizzare questo prodotto quando la temperatura è inferiore a 0°C (32°F). I materiali di plastica potrebbero diventare fragili e spezzarsi.
6. Non utilizzare quando la temperatura è inferiore a 0°C (32°F).
7. Rastrellare periodicamente la superficie per evitare la compattazione e mantenere le profondità appropriate.
8. I proprietari saranno responsabili del mantenimento della leggibilità delle etichette di avviso e della loro rimozione dal prodotto da parte dei bambini.

ISTRUZIONI PER LO SMALTIMENTO:

Smontare il prodotto in modo da impedire ogni pericolo. Riciclare quando possibile. Lo smaltimento deve essere effettuato in conformità a tutti i regolamenti previsti dal governo.

ISPEZIONARE QUESTO PRODOTTO PRIMA DI CIASCUN UTILIZZO. FISSARE SALDAMENTE LE CONNESSIONI E SOSTITUIRE I COMPONENTI DANNEGGIATI O USURATI. CONTATTARE STEP2 COMPANY PER OTTENERE RICAMBI.



AVVERTENZE: RISCHIO DI SOFFOCAMENTO

Parti di dimensioni ridotte. È necessario il montaggio da parte di adulti.



AVVERTENZE: PERICOLO DI USTIONI

- Controllare sempre la temperatura del prodotto prima di permettere ai bambini di giocare con esso.
- Ricordarsi che il prodotto possono provocare ustioni se lasciato in luce diretta del sole.
- Prestare sempre la massima attenzione alle condizioni meteo e al sole, e non presumere che l'attrezzatura sia sicura perché la temperatura dell'aria non è molto alta.



AVVERTENZE: RISCHIO DI STRANGOLAMENTO

Possono verificarsi lesioni personali gravi o morte.

- **NON** attaccare corde da salto, fili per il bucato, guinzagli o altri elementi pendenti non specificatamente progettati per l'utilizzo con questo apparecchio.
- **NON** permettere ai bambini di indossare scarpe, guanti con cordoncini che escono dalle maniche o indumenti quali cappe, poncho o capi con lacci al collo.
- **NON** permettere ai bambini di indossare caschetti mentre giocano sull'attrezzatura.
- **NON** permettere ai bambini di indossare elementi intorno al collo quali collane, boracce, borse o binocoli.

Informazioni per il cliente sui materiali delle superfici di gioco.

Profondità minime superfici "loose fill" compresse

Pollici Di	(materiale "loose-fill") protegge da una	caduta di (piedi)
9	Gomma triturrata/riciclata	10
9	Sabbia	4
9	Ghiaia fine	5
9	Pacciamatura in legno (non CCA)	7
9	Cippato	10

Tabella X3.1

Questa informazione è stata estratta dalle pubblicazioni CPSC "Playground Surfacing – Technical Information Guide". È possibile ottenere copie di tale pubblicazione scrivendo a: Office of Public Affairs, U.S. Consumer Product Safety Commission, Washington, D.C., 20207 oppure chiamando la hotline gratuita: 1-800-638-2772.

- X3.1 La U.S. Consumer Product Safety Commission stima negli U.S.A. circa 100.000 ricoveri d'emergenza l'anno in seguito ad incidenti legati a superfici di gioco, risultanti da cadute a terra. Gli incidenti correlati a tale tipo di rischi sono solitamente estremamente gravi e possono essere fatali, in particolare in caso di infortuni alla testa. La superficie di sotto e attorno alla superficie di gioco può essere determinante per la rischiosità delle cadute. Ovviamente una caduta su una superficie per l'assorbimento degli urti riduce le probabilità di incidenti piuttosto che una superficie dura.

L'apparecchiatura non deve essere posizionata su superfici dure come cemento o asfalto e se l'erba potrebbe apparire una superficie accettabile può trasformarsi rapidamente un terreno duro in aree ad alto traffico. Pacciamatura di corteccia sminuzzata, cippato, sabbia fine o ghiaia fine sono considerate

superfici ad assorbimento degli urti se installate e mantenute ad una profondità sufficiente sotto e attorno l'apparecchiatura.

- X3.2 Nella tabella X3.1 sono elencate le altezze massime da cui è ridotto il rischio di incidenti mortali alla testa in caso di cadute del bambino su superfici "loose fill" in cinque materiali installati e mantenuti a una profondità di 9 pollici. Tuttavia, occorre tenere presente che qualunque sia il materiale della superficie è impossibile prevenire completamente incidenti in seguito a cadute.

- X3.3 Si raccomanda un materiale di assorbimento degli urti esteso almeno 6,5 ft in ciascuna direzione dal perimetro di apparecchiature statiche come ramponi e scivoli. Tuttavia, dato che i bambini potrebbero decidere di saltare in seguito a un oscillamento, il materiale di assorbimento deve estendersi davanti e dietro il

componente oscillante per una distanza minima pari al doppio dell'altezza del perno misurata da un punto direttamente sottostante al perno sulla struttura di supporto.

- X3.4 Queste informazioni hanno lo scopo di assistere la comparazione delle proprietà di assorbimento degli urti di diversi materiali. Nessun material in particolare è più raccomandabile di altri. Tuttavia, ciascun materiale è efficace solo con una manutenzione adeguata. È necessario controllare periodicamente e reintegrare per il mantenimento della profondità necessaria per l'apparecchiatura. La scelta del materiale dipende dal tipo e dall'altezza dell'apparecchiatura, la disponibilità del materiale nella propria area e il suo costo.

**CONSERVARE QUESTO FOGLIO
PER FUTURO RIFERIMENTO.**

Istruzioni per una corretta manutenzione

La vostra struttura dello Step2 è progettata e fabbricata con materiali di qualità. Come per tutti i prodotti per esterni, sarà in grado di resistere agli agenti atmosferici e all'usura. Per ottenere il massimo divertimento e garantire la sicurezza e la durata della vostra struttura è importante che effettuate una regolare manutenzione.

Informazioni sul nostro legno

Step2 utilizza legno di cedro al 100% (C. Lanceolata). Sebbene prestiamo molta attenzione alla selezione del legname di migliore qualità disponibile, il legno è comunque un prodotto naturale e suscettibile agli agenti atmosferici che può modificare l'aspetto del proprio set.

Che cosa causa l'invecchiamento? Influisce sulla resistenza del mio prodotto?

Una delle principali cause di erosione da agenti atmosferici è quella prodotta dall'acqua (umidità); il contenuto di umidità del legno in superficie è diverso dall'interno del legno. Col cambiare del clima, l'umidità si sposta dentro o fuori dal legno, causando una tensione che può provocare crepe o deformazione. Gli agenti atmosferici possono provocare quanto segue. Queste modifiche non influenzeranno la resistenza del prodotto:

1. La crepa è una fessura superficiale nel legno lungo la venatura. Un palo (10 cm x 10 cm) avrà un controllo maggiore di un'asse (2,5 cm x 2,5 cm) poiché il contenuto di umidità della superficie e degli interni varierà in modo più ampio rispetto al legno più sottile.

2. La deformazione risulta da qualsiasi distorsione (torsione, deformazione) dal piano originale dell'asse e spesso accade da una rapida bagnatura e asciugatura del legno.

3. Lo sbiadimento si verifica come un cambiamento naturale nel colore del legno in quanto esposto alla luce del sole e diventa grigio nel tempo.

Come posso ridurre la quantità di erosione da agenti atmosferici sul prodotto in legno?

1. Il vostro prodotto di legno è rivestito da una tinta a base d'acqua. La luce solare rovina il rivestimento, quindi raccomandiamo di applicare un idrorepellente o una tinta annualmente (consultate il fornitore locale di tinte e vernici per un prodotto consigliato). È necessario applicare un certo tipo di protezione (sigillante) sul legno del prodotto. **Si prega di notare che questo è un requisito della garanzia.** La maggior parte dell'erosione da agenti atmosferici è solo il normale risultato della natura e non inciderà sulla sicurezza. Tuttavia, se si è preoccupati che una parte abbia subito un grave problema di erosione da agenti atmosferici, si prega di contattare il nostro servizio clienti per ulteriore assistenza.

2. Ispezionare le parti in legno mensilmente. La venatura del legno a volte si solleva nella stagione secca provocando la comparsa di schegge. Potrebbe essere necessaria una leggera carteggiatura per mantenere un ambiente sicuro. Trattare il vostro prodotto con una protezione (sigillante) dopo la carteggiatura aiuterà a prevenire severe crepe/aperture e altri danni causati dal tempo.

È IMPORTANTE CONTROLLARE E SERRARE TUTTI I COMPONENTI ALL'INIZIO E DURANTE LA STAGIONE DI GIOCO, IN QUANTO SI POTREBBERO ALLENTARE A CAUSA DELL'ESPANSIONE E DELLA CONTRAZIONE DEL LEGNO.

All'inizio di ogni stagione di gioco

- Serrare tutti i componenti.
- Controllare tutti i rivestimenti protettivi su bulloni, tubi, bordi e angoli. Sostituirli se sono allentati, incrinati o mancanti.
- Controllare tutte le parti in legno per verificare la presenza di deterioramento e schegge. Carteggiare le schegge e sostituire le parti in legno deteriorate.
- Reinstallare eventuali parti in plastica, come i sedili girevoli o altri oggetti rimossi per la stagione fredda.
- Rastrellare e controllare la profondità dei materiali di rivestimento protettivi di materiale sfuso per evitare la compattazione e mantenere una profondità adeguata. Sostituire secondo necessità.

Due volte al mese durante la stagione di gioco

- Tighten all hardware.
- Serrare tutti i componenti.
- Controllare tutti i rivestimenti protettivi su bulloni, tubi, bordi e angoli. Sostituirli se sono allentati, incrinati o mancanti.
- Rastrellare e controllare la profondità dei materiali di rivestimento protettivi di materiale sfuso per evitare la compattazione e mantenere una profondità adeguata. Sostituire secondo necessità.

Alla fine di ogni stagione di gioco o quando la temperatura scende sotto gli 0 °C (32 °F)

- Rimuovere i sedili oscillanti in plastica e altri articoli come specificato dal produttore e portarli al coperto o non usare.
- Rastrellare e controllare la profondità dei materiali di rivestimento protettivi di materiale sfuso per evitare la compattazione e mantenere una profondità adeguata. Sostituire secondo necessità.

Manutenzione aggiuntiva

- Controllare i componenti ogni due settimane a causa dell'espansione e della contrazione del legno. È particolarmente importante che questa procedura sia osservata all'inizio di ogni stagione.
- Ispezionare le parti in legno mensilmente. La venatura del legno a volte si solleva nella stagione secca provocando la comparsa di schegge. Potrebbe essere necessaria una leggera carteggiatura per mantenere un ambiente di gioco sicuro. Trattare il vostro prodotto con una tinta regolarmente, per prevenire severe crepe/aperture e altri danni causati dal tempo.
- Una tinta trasparente a base acquosa è stata applicata al vostro prodotto. Questo avviene solo per il colore. Una o due volte l'anno, a seconda delle condizioni climatiche, è necessario applicare un certo tipo di protezione (sigillante) al legno del vostro prodotto. Prima dell'applicazione del sigillante, levigare leggermente eventuali tinte "ruvide" sul prodotto. Si prega di notare che questo è un requisito della garanzia.
- Assemblare e mantenere il prodotto su una posizione piana è molto importante. Quando i vostri bambini giocano, il prodotto scivolerà lentamente nel terreno, ed è molto importante che si stabilizzi in modo uniforme. Assicuratevi che il prodotto sia disposto in modo piano e dritto ogni anno o all'inizio di ogni stagione di gioco.

Istruzioni per lo smaltimento

Quando non si desidera più usare il Playcenter, deve essere smontato e smaltito in modo tale che non vi siano pericoli irragionevoli al momento in cui il prodotto viene smaltito.

Montaggio da parte di terzi

Il Cliente può, a sua esclusiva discrezione, scegliere di utilizzare una persona o un servizio esterno per assemblare questo prodotto. Step2 non si assume alcuna responsabilità per eventuali addebiti sostenuti dal Cliente per eventuali servizi di assemblaggio. Si prega di consultare la nostra garanzia per ulteriori informazioni sulla copertura della sostituzione della parte danneggiata o mancante. Step2 non rimborserà al Cliente il prezzo delle parti acquistate.

Garanzia Limitata

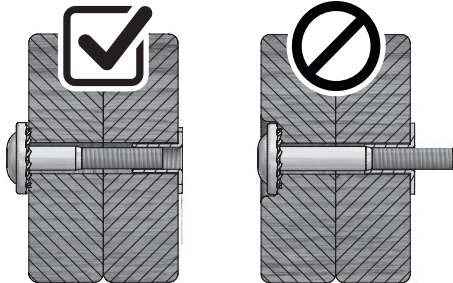
La garanzia del prodotto si possono trovare online all'indirizzo:
www.Step2.com www.Step2.custhelp.com/app/answers/detail/a_id/176

I PROPRIETARI SONO RESPONSABILI DI MANTENERE LA LEGGIBILITÀ DELLE ETICHETTE DI AVVERTENZA

Suggerimenti per l'assemblaggio

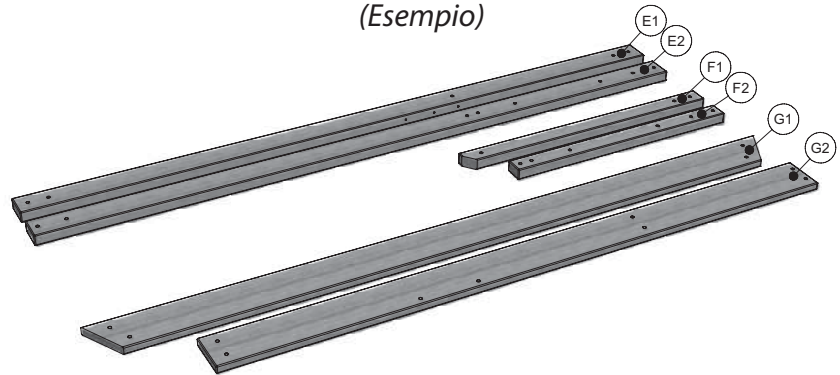
Pericolo di protrusione

Se le filettature sono esposte, verificare che i componenti siano idonei. Se troppo stretti, aggiungere rondelle per eliminare la sporgenza.



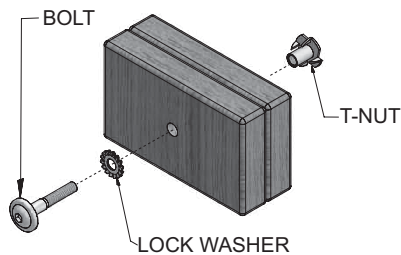
Ordinamento del legno

(Esempio)



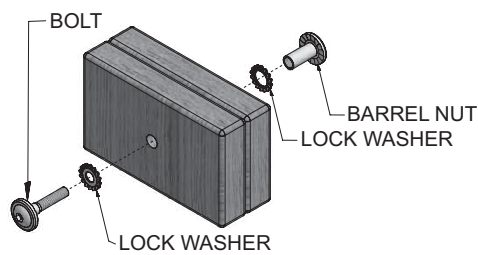
Quando si rimuove il legno dalle scatole, consigliamo di ordinarle per numero di parte prima di iniziare il montaggio. Ciò consentirà un montaggio più veloce e identificherà facilmente eventuali parti che potrebbero essere mancanti o danneggiate.

Assemblaggio corretto dei componenti



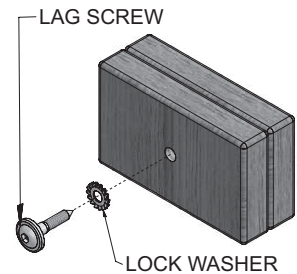
Assemblaggio di bulloni e dadi a T

Inserire il dado a T nel foro fornito. Inserire il bullone attraverso la rondella di bloccaggio e nel foro fornito opposto al dado a T. Girare in senso orario per filettare nel dado a T. Non stringere completamente finché non viene indicato.



Assemblaggio di bulloni e perni

Inserire il perno attraverso la rondella di bloccaggio e premere la coppia attraverso il foro fornito. Inserire il bullone attraverso la seconda rondella di bloccaggio e nel foro fornito opposto al perno. Girare in senso orario per filettare nel perno. Non stringere completamente finché non viene indicato.



Fissaggio della madre vite

Normalmente ci sarà un foro pilota preforato su assiemi che richiedono una vite prigioniera. Se non vi è alcun foro pilota, allineare le due tavole mentre devono essere fissate e utilizzare il foro preforato come guida per praticare un altro foro pilota nell'asse adiacente. Ciò preserverà l'integrità del legno. È richiesta solo una rondella per i passaggi con viti prigioniere.

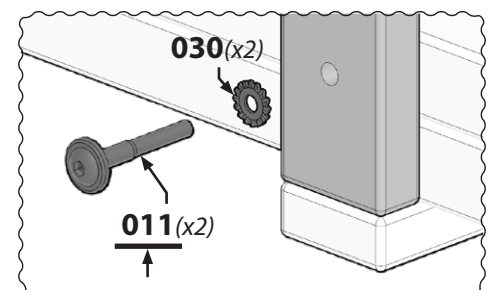
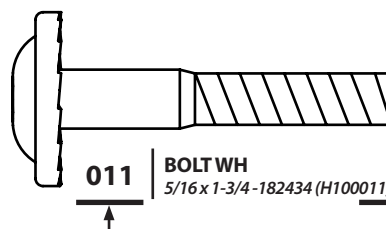
Ordinamento dei componenti

Per facilitare il montaggio, consigliamo di ordinare i sacchetti dei componenti con il numero alfanumerico a sette cifre stampato sui sacchetti o in base al tipo di componente (cioè bulloni, dadi, ecc.). Organizzare i vostri componenti renderà più semplice l'assemblaggio.



Identificazione dei componenti

I sacchetti dei componenti sono stampati con un numero di parte alfanumerico a sette cifre. Durante l'assemblaggio è necessario solo fare riferimento alle ultime tre cifre del numero di parte come indicato in ogni passaggio. Ciò renderà più facile trovare il componente corretto.



BESTEMD VOOR GEBRUIK DOOR KINDEREN VAN 3 - 8 JAAR.

NEEM DE VOLGENDE VERKLARINGEN EN AARSCHUWINGEN IN ACHT OM MOGELIJK ERNSTIG OF FATAAL LETSEL TE VERMINDEREN.

BEWAAR DIT BLAD VOOR TOEKOMSTIGE REFERENTIE.



**WAARSCHUWING:
ERNSTIG HOOFDETEL OF OVERLIJDEN KAN
OPTREDEN.**

Vallen op een hard oppervlak kan ernstig letsel of overlijden tot gevolg hebben. Installeer de speeltuininrusting niet op harde oppervlakken zoals beton, asfalt, vastgestampte aarde, gras, tapijt of een ander hard oppervlak. Toezicht van een volwassene vereist.



**WAARSCHUWING:
VERSTIKKINGSGEVAAR**

Kleine onderdelen. Montage door volwassene vereist.



**WAARSCHUWING:
VERBRANDINGSGEVAAR**

- Controleer altijd de temperatuur van het product voordat u uw kinderen ermee laat spelen.
- Vergeet niet dat het product brandwonden kunnen veroorzaken als links in direct zonlicht.
- Let altijd goed op de zon en de weersomstandigheden en ga er niet zonder meer vanuit dat het toestel veilig is omdat de luchttemperatuur niet erg hoog is.



**WAARSCHUWING:
VERSTIKKINGSGEVAAR**

Kan leiden tot ernstig letsel of dood.

- NIET** springtouwen, waslijnen, leiband en andere loshangende dingen bevestigen die niet specifiek ontworpen zijn voor gebruik met deze uitrusting.
- NIET** kinderen toestaan sjaals, wanten met koorden door de mouwen of kleding zoals capes, poncho's of met een trekkoordje bij de hals te dragen.
- NIET** kinderen toestaan helmen te dragen terwijl ze op de uitrusting spelen.
- NIET** kinderen toestaan om iets om hun nek te dragen zoals kettingen, veldflessen, tas en verrekijkers.

- Controleer dat alle verbindingen goed vastzitten. Laat kinderen NIET spelen op het product totdat het volledig in elkaar is gezet.
- Om risico's van boornippers te minimaliseren, zijn schroeven zodanig ontworpen dat ze door het plastic gaan en hun eigen schroefdraden maken. Let op dat de schroeven niet te vast worden aangedraaid, anders houden ze de onderdelen niet goed aan elkaar.

BEDIENINGSINSTRUCTIES:

- Zorg te allen tijde voor toezicht door een volwassene.
- Limiet: 4 kinderen. Maximumgewicht voor gebruikers: 34 kg (75 lb) per kind.
- Kleed kinderen op gepaste wijze aan, waaronder goed passende schoenen die de voeten volledig beschermen.
- 4. Instrueer kinderen:**
 - met voeten vooruit te glijden; één kind tegelijk naar beneden op de glijbaan.
 - alvorens op het toestel te spelen, artikelen te verwijderen die gevaren vormen wanneer ze verstrikt raken en vast komen te zitten. Voorbeelden zijn onder meer: poncho's, sjaals en andere losse kleding, fiets- en andere sporthelmen.
 - geen artikelen aan de speeltuininrusting te bevestigen die niet specifiek zijn ontworpen voor gebruik met de uitrusting, bijvoorbeeld: springtouwen, waslijnen, leiband, kabels en kettingen, daar die een verstikkingsgevaar kunnen veroorzaken.
- 5. Laat kinderen nooit:**
 - de uitrusting gebruiken op een andere wijze dan beoogd.
 - op de uitrusting klimmen wanneer deze bedekt is met sneeuw of nat is.
 - dit product gebruiken bij temperaturen onder 0 °C. Plastic materiaal kan broos worden en scheuren.
- breng ze naar binnen of gebruik ze niet wanneer de temperatuur onder 0 °C zakt.
- Hark de oppervlakbedekking periodiek aan om samendrukking te voorkomen en de geschikte diepten te handhaven.
- Het is de verantwoordelijkheid van de eigenaar dat de waarschuwingslabels leesbaar blijven en niet door kinderen van het product worden verwijderd.

AFVOERINSTRUCTIES:

Demonteer zodat er geen onredelijke gevaren bestaan. Recyclen wanneer mogelijk. Afvoeren moet gebeuren in overeenstemming met alle overheidsvoorschriften.

INSPECTEER DIT PRODUCT VOOR ELK GEBRUIK. ZORG DAT VERBINDINGEN STEVIG VASTZITTEN EN VERVANG BESCHADIGDE OF VERSLETEN ONDERDELEN. NEEM CONTACT OP MET THE STEP2 COMPANY VOOR RESERVEONDERDELEN.

VEILIGHEIDSGEGEVENS:

- Creëer een obstakelvrije plaats om letsel te verminderen. Houd een minimale afstand van 2 m (6,5 feet) aan van structuren of obstakels (bijvoorbeeld: een hek, gebouwen, laaghangende takken, boomstammen/-wortels, grote stenen, bakstenen, beton, garages, huizen, of elektrische draden).
- Kies een vlakke plaats voor de uitrusting om de kans te verkleinen dat het speeltuig omvalt en los vulmateriaal van de ondergrond wegspoelt tijdens zware regen.
- Valhoogte: 138,43 cm (54.5 inches). Installeer het product of dek materiaal niet op beton, asfalt, vastgestampte aarde, gras, tapijt of een ander hard oppervlak. Speeltuininrusting voor thuis MAG NIET GEBRUIKT WORDEN binnenshuis zonder geïnstalleerde valbescherming. Vallen op een hard oppervlak kan ernstig letsel tot gevolg hebben. Richtlijnen voor speeltuinafdekmaterialen voor aanvaardbare valbescherming zijn inbegrepen in dit instructieblad (zie tabel X3.1). Om het geschikte niveau van los vulmateriaal te handhaven, inperking gebruiken, zoals een greppel graven langs de omtrek en/of deze te voeren met valbescherming. Voor installatie van rubbertegels of ter plekke gegoten oppervlakken (behalve losse vulmaterialen) is een expert nodig en dit zijn geen 'doe-het-zelf' projecten.
- Plaats onbedekte metalen platformen en glijbanen (metaal, plastic of van ander materiaal) buiten direct zonlicht om het risico van ernstige brandwonden te verminderen. Een glijbaan die naar het noorden wijst, krijgt het minst direct zonlicht.
- Houd actieve en rustige activiteiten van elkaar gescheiden (bijvoorbeeld: plaats zandbakken uit de buurt van schommels of gebruik een beveiligingsbarrière om de zandbak bij de beweging van de schommels vandaan te houden).

Informatieblad voor de consument voor materialen onder de speeltuininrusting

Minimale ingedrukte los gestorte oppervlaktediepten		
Inch	(los gestort materiaal) beschermt tot	valhoogte (feet)
9	Gesnipperd/gerecycled rubber	10
9	Zand	4
9	Grind	5
9	Houtstrooisel (niet-CCA)	7
9	Houtsnippers	10

Tabel X3.1

Deze informatie is gehaald uit de CPSC-publicatie 'Playground Surfacing - Technical Information Guide' (deklag voor speeltuinen - technische informatiegids). Exemplaren van deze publicatie kunnen worden verkregen door een briefkaart te sturen naar de: Office of Public Affairs, U.S. Consumer Product Safety Commission, Washington, DC 20207 of de gratis (in Noord-Amerika) hotline op nr. 1-800-638-2772 te bellen.

- X3.1 De U.S. Consumer Product Safety Commission schat dat per jaar ongeveer 100.000 met speeltuininrusting verband houdend letsels door vallen op de deklag eronder worden behandeld op de afdeling spoedeisende hulp van Amerikaanse ziekenhuizen. Verwondingen die dit gevarenpatroon betreffen zijn de ernstigste van alle speeltuininrusting en kunnen mogelijk fataal zijn, in het bijzonder wanneer het letsel aan het hoofd is. De grond onder en rond de speeltuininrusting kan een belangrijke factor zijn bij het bepalen van het letsel veroorzakende potentieel van een val. Het is vanzelfsprekend dat een val op een schokabsorberend oppervlak minder waarschijnlijk ernstig letsel zal veroorzaken dan een val op een hard oppervlak.

houtsnippers, fijn zand of fijn grind worden als aanvaardbare schokabsorberende oppervlakken beschouwd wanneer ze op voldoende diepte onder en rond de speeltuininrusting worden geïnstalleerd en onderhouden.

- X3.2 Tabel X3.1 vermeldt de maximale hoogte waarbij niet verwacht wordt dat een kind levensbedreigend hoofdletsel zou oplopen bij een val op vijf verschillende los gestorte deklagmaterialen als die geïnstalleerd en onderhouden worden op een diepte van 22,5 cm (9 inch). Er dient echter gerealiseerd te worden dat alle letsel door vallen niet voorkomen kan worden, ongeacht het deklagmateriaal dat gebruikt is.
- X3.3 Er wordt aanbevolen dat schokabsorberend materiaal minimaal 2 m (6,5 ft) in alle richtingen voorbij de omtrek van stilstaande uitrustingen zoals klimrekken en glijbanen dient uit te strekken. Omdat kinderen echter met opzet van een bewegende schommel kunnen springen, dient het

schokabsorberende materiaal vóór en achter de schommel minimaal een afstand van 2 keer de hoogte van het draaipunt gemeten vanaf een punt rechtstreeks onder het draaipunt op de steunstructuur te bedragen.

- X3.4 Deze informatie is bedoeld om te helpen bij het vergelijken van de relatieve schokabsorberende eigenschappen van verschillende materialen. Er wordt geen bepaald materiaal aanbevolen boven andere materialen. Elk materiaal is echter alleen effectief wanneer het behoorlijk onderhouden wordt. Materialen dienen periodiek te worden gecontroleerd en bijgevuld om de juiste diepte aan te houden zoals voor uw uitrusting is vastgesteld. De keuze van een materiaal hangt af van het type en de hoogte van de speeltuininrusting, de beschikbaarheid van het materiaal in uw omgeving en de kosten ervan.

Speeltuininrusting mag nooit op harde oppervlakken worden gezet zoals op beton of asfalt en hoewel gras aanvaardbaar kan lijken, kan dit snel veranderen in harde, samengepakte aarde op plaatsen waar veel loopverkeer is. Gesnipperde schors,

**BEWAAR DIT BLAD VOOR
NASLAG IN DE TOEKOMST.**

Instructies voor goed onderhoud

Uw Step2-constructie is ontworpen en vervaardigd van kwaliteitsmaterialen. Zoals bij alle buitenproducten zal deze slijten en ververen. Om uw genot, veiligheid en de levensduur van uw constructie te maximaliseren is het belangrijk dat u deze goed onderhoudt.

Over ons hout

Step2 gebruikt 100% cederhout (C. Lanceolata). Hoewel we zorgvuldig het best beschikbare kwaliteitshout selecteren, is hout een natuurproduct en is het gevoelig voor verwerking, wat het uiterlijk van uw toestel kan veranderen.

Wat zijn de oorzaken van verwerking? Tast het de sterkte van mijn product aan?

Eén van de belangrijkste redenen voor verwerking is de invloed van water (vocht); het vochtgehalte van het hout aan het oppervlak is anders dan de binnenkant van het hout. Naarmate het klimaat verandert, trekt het vocht in of uit het hout, wat voor spanning zorgt en kan leiden tot scheurtjes en/of kromtrekken. U kunt het volgende verwachten als gevolg van verwerking. Deze veranderingen tasten de kracht van het product niet aan:

1. Verwerkingsscheuren zijn oppervlaktesscheuren langs de nerf van het hout. Een paal (4" x 4") wordt meer aangetast door verwerkingsscheuren dan een plaat (1" x 4"), omdat het vochtgehalte tussen het oppervlak en het binnenste meer wisselt dan in dunner hout.

2. Kromtrekken is het gevolg van een vervorming (draaien, uitdeuking) van het oorspronkelijke oppervlak van de plaat en gebeurt vaak door snelle bevochtiging en droging van het hout.

3. Vervaging is een natuurlijke houtkleurverandering wanneer het wordt blootgesteld aan zonlicht en na verloop van tijd grijs wordt.

Hoe kan ik de mate van verwerking van het houtproduct verminderen?

1. Uw houtproduct is bedekt met een beits op waterbasis. Zonlicht breekt de coating af, dus we raden aan om jaarlijks een waterafstotend middel of beits aan te brengen (raadpleeg uw lokale beits- en verfleverancier voor een aanbevolen product). U moet een type beschermingsmiddel (dichtingsmiddel) op het hout van uw product aanbrengen. **Let erop dat dit een vereiste voor de geldigheid van uw garantie is.** De meeste verwerking is natuurlijk en tast de veiligheid niet aan. Als u zich echter zorgen maakt dat een onderdeel ernstig verweert kunt u onze klantenservice bellen voor verdere hulp.

2. Voer een maandelijkse inspectie uit van de houten onderdelen. Soms komt de houtnerf omhoog in het droge seizoen, waardoor er splinters kunnen ontstaan. Licht schuren kan vereist zijn om een veilige omgeving te handhaven. Door uw product na het schuren te behandelen met bescherming (dichtingsmiddel) helpt u ernstige scheuren/splijtingen en andere verwerkingsschade te voorkomen.

HET IS BELANGRIJK OM ALLE MATERIELEN AAN HET BEGIN EN GEDURENDE HET SPEELSEIZOEN TE CONTROLEREN EN AAN TE DRAAIEN, AANGEZIEN ZE LOS KUNNEN RAKEN ALS GEVOLG VAN UITZETTING EN INKRIMPING VAN HET HOUT.

Aan het begin van elk speelseizoen

- Draai alle materialen aan.
- Controleer alle beschermingsdoppen op bouten, leidingen, randen en hoeken. Vervang ze als ze los zitten, gescheurd zijn of ontbreken.
- Controleer alle houten delen op slijtage en splinters. Schuur de splinters weg en vervang verslechterende houtdelen.
- Plaats alle kunststof onderdelen, zoals schommelstoelen of andere voorwerpen terug die verwijderd zijn voor het koude seizoen.
- Hark en controleer de diepte van los oppervlakbeschermingsmateriaal om verdichting te voorkomen en de juiste diepte te behouden. Indien nodig vervangen..

Tweemaal per maand gedurende het speelseizoen

- Draai alle materialen aan.
- Controleer alle beschermingsdoppen op bouten, leidingen, randen en hoeken. Vervang ze als ze los zitten, gescheurd zijn of ontbreken.
- Hark en controleer de diepte van los oppervlakbeschermingsmateriaal om verdichting te voorkomen en de juiste diepte te behouden. Indien nodig vervangen.

Aan het einde van elk speelseizoen of wanneer de temperatuur onder het vriespunt zakt

- Verwijder kunststof schommelstoelen en andere voorwerpen zoals gespecificeerd door de fabrikant en haal ze binnenshuis of gebruik ze niet.
- Hark en controleer de diepte van los oppervlakbeschermingsmateriaal om verdichting te voorkomen en de juiste diepte te behouden. Indien nodig vervangen.

Aanvullend onderhoud

- Controleer de materialen elke twee weken als gevolg van uitzetting en inkrimping van het hout. Het is met name belangrijk dat deze procedure aan het begin van elk seizoen gevolgd wordt.
- Voer een maandelijkse inspectie uit van de houten onderdelen. Soms komt de houtnerf omhoog in het droge seizoen, waardoor er splinters kunnen ontstaan. Licht schuren kan vereist zijn om een veilige speelomgeving te handhaven. Behandel uw speeltoestel regelmatig met beits om ernstige scheuren/splijtingen en andere verwerkingsschade te voorkomen.
- Op uw speeltoestel is een watergedragen transparante beits aangebracht. Dit is uitsluitend voor de kleur gedaan. Afhankelijk van uw klimaatomstandigheden moet u eenmaal of tweemaal per jaar een soort van bescherming (dichtingsmiddel) op het hout van uw toestel aanbrengen. Voordat u uw dichtingsmiddel aanbrengt moet u enige "ruwe" plekken op uw speeltoestel licht schuren. Let erop dat dit een vereiste voor de geldigheid van uw garantie is.
- Het is zeer belangrijk om het speeltoestel op een vlakke ondergrond te monteren en onderhouden. Wanneer uw kinderen spelen zal uw speeltoestel langzaam in de grond zakken en het is zeer belangrijk dat het gelijkmatig inzakt. Controleer eenmaal per jaar of aan het begin van elk speelseizoen of het speeltoestel vlak en waterpas is.

Verwijderingsinstructies:

Wanneer het speeltoestel niet langer gewenst is, moet het op dusdanige wijze gedemonteerd en afgevoerd worden dat er geen onredelijke gevaren bestaan op het moment waarop het toestel afgevoerd wordt.

Installatie door derden

De klant kan er naar eigen inzicht voor kiezen om een derde persoon of dienst te gebruiken om dit product te monteren. Step2 aanvaardt geen verantwoordelijkheid of aansprakelijkheid voor enige kosten voor enige installatiediensten die de klant oploopt. Zie onze garantie voor meer informatie over dekking voor de vervanging van beschadigde en ontbrekende onderdelen. Step2 verstrekt geen vergoeding voor de prijs van door de klant gekochte onderdelen.

Beperkte Garantie

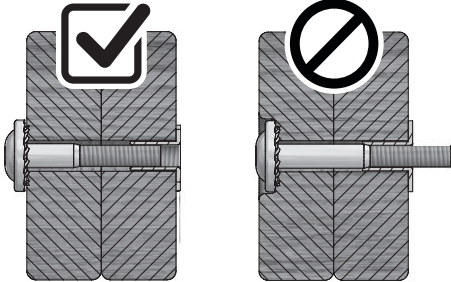
Productgarantie is online te vinden op:
www.Step2.com www.Step2.custhelp.com/app/answers/detail/a_id/176

EIGENAREN ZIJN VERANTWOORDELIJK VOOR HET HANDHAVEN VAN DE LEESBAARHEID VAN DE WAARSCHUWINGSETIKETTEN

Montagetips

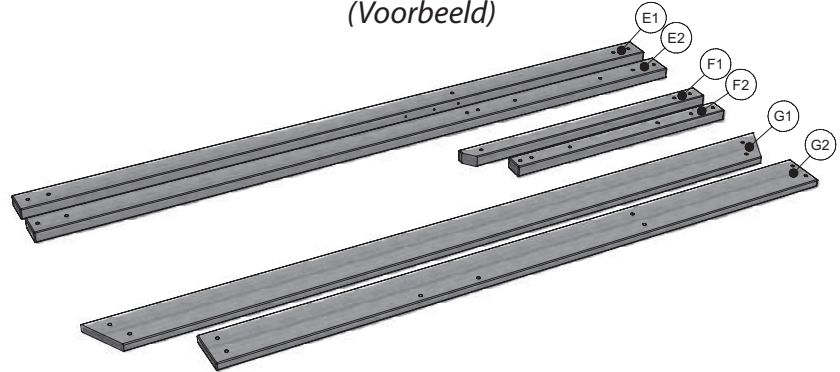
Gevaar voor uitsteeksels

Als er schroefdraden blootliggen moet u controleren op de juiste apparatuur. Als het materiaal te hard aangedraaid is, moeten sluitringen gebruikt worden om het uitsteeksel te verwijderen.



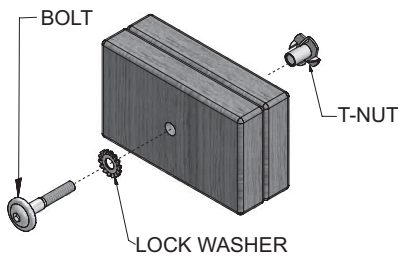
Hout sorteren

(Voorbeeld)



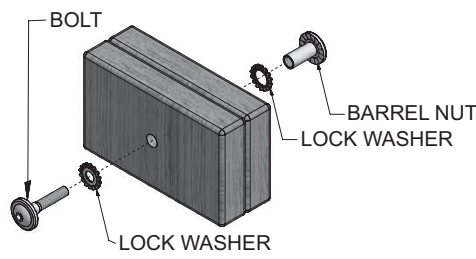
We raden aan om wanneer het hout uit de dozen gehaald wordt, ze op onderdeelnummer te sorteren voordat u met de montage begint. Hierdoor kunt u sneller monteren en kunt u eventuele onderdelen die mogelijk ontbreken of beschadigd zijn eenvoudig identificeren.

Correcte montage van de materialen



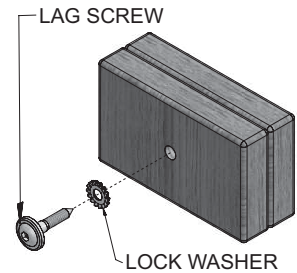
Montage bout en T-moer

Draai de T-moer in het verschafte gat. Plaats uw bout door de borgring en in het verschafte gat tegenover de T-moer. Met de klok meedraaien om de T-moer aan te draaien. Niet volledig aandraaien totdat dit aangegeven wordt.



Montage bout en handmoer

Steek de handmoer door de borgring en druk het koppel door het verschafte gat. Plaats uw bout door de tweede borgring en plaats het koppel in het verschafte gat tegenover de handmoer. Met de klok meedraaien om de handmoer aan te draaien. Niet volledig aandraaien totdat dit aangegeven wordt.



Houtschroefmontage

Normaal is er een voorgeboord gat op installaties die een houtschroef vereisen. Wanneer er geen geleidingsgat is, moeten de twee platen uitgelijnd worden zoals ze bevestigd gaan worden en moeten de voorgeboorde gaten gebruikt worden als leidraad om een nieuw geleidingsgat in de aangrenzende plaat te boren. Dit voorkomt splijten van het hout. Voor de stappen met houtschroeven is alleen een borgring vereist.

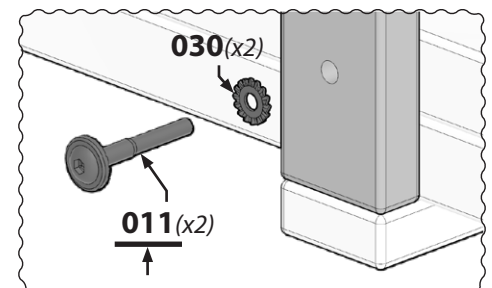
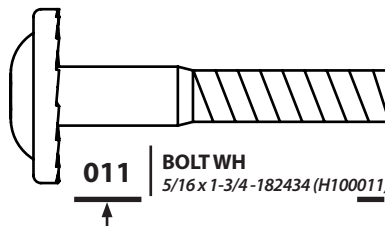
IJzerwaren sorteren

Om bij de montage te helpen raden we aan uw zakjes met ijzerwaren te sorteren met het zevencijferige alfanumerieke nummer dat op de zakken gedrukt is of op type ijzerwaren (d.w.z. bouten, moeren, etc.). Door uw ijzerwaren te organiseren maakt u de montage eenvoudiger.



Identificatie van ijzerwaren

Zakjes met ijzerwaren zijn bedrukt met een zevencijferig alfanumeriek onderdeelnummer. Gedurende de montage hoeft u alleen de laatste drie cijfers van het onderdeelnummer te raadplegen, zoals in elke stap vermeld staat. Dit maakt het vinden van de juiste ijzerwaren eenvoudiger.



DESTINA-SE A SER UTILIZADO POR CRIANÇAS COM 3 - 8 ANOS.

NEEM DE VOLGENDE VERKLARINGEN EN WAARSCHUWINGEN IN ACHT OM MOGELIJK ERNSTIG OF FATAAL LETSEL TE VERMINDEREN.

BEWAAR DIT BLAD VOOR TOEKOMSTIGE REFERENTIE.



**AVISO:
PODEM OCORRER FERIMENTOS SÉRIOS OU A MORTE.**

As quedas em superfícies rígidas podem resultar em ferimentos graves ou na morte. Não instale equipamento de recreio sobre superfícies duras, tais como asfalto de betão, terra compacta, relva, carpete ou qualquer outra superfície dura. Necessária a supervisão de um adulto.

INFORMAÇÕES DE SEGURANÇA:

1. Crie um local livre de obstáculos para reduzir a possibilidade de ferimentos. Mantenha uma distância mínima de 2 m de estruturas ou obstruções (exemplos: cercas, edifícios, árvores com ramos baixos, troncos/raízes de árvores, rochas de grandes dimensões, tijolos, betão, garagens, casas, ou cabos eléctricos).
2. Escolha uma localização nivelada para o equipamento de modo a reduzir a probabilidade do equipamento tombar e perder os materiais da superfície de enchimento soltos devido a chuvas intensas.
3. Altura de queda: 138,43 cm (54,5 inches). Não instale o produto ou o material sobre superfícies duras, tais como asfalto de betão, terra compacta, relva, carpete ou qualquer outra superfície dura. Uma queda numa superfície dura pode resultar em ferimentos graves. Nesta ficha de instruções, estão incluídas as directrizes de materiais de superfície para equipamentos de recreio relativamente a protecções contra queda aceitáveis (ver o quadro X3.1). Para manter o nível adequado do material de enchimento solto, utilize dispositivos de contenção, como escavar em torno do perímetro e/ou revestir com cercas. As instalações de placas de borracha ou superfícies de colocação (para além dos materiais de enchimento soltos) requerem um projecto profissional e não tarefas do tipo "faça você mesmo".
4. Coloque as plataformas metálicas e escorregas (elementos em metal, plástico e similares) afastados da exposição solar directa de modo a reduzir a probabilidade de insolações graves. Um escorrega voltado para Norte recebe uma exposição solar mínima.
5. Projecte espaço suficiente para que as crianças possam utilizar o equipamento em segurança (exemplo: para estruturas com várias actividades, a saída de um escorrega não deve estar em frente de um baloiço).
6. Separe as actividades activas das mais tranquilas (exemplos: coloque as caixas de areia afastadas dos baloiços ou utilize um resguardo para separar a caixa de areia do movimento dos baloiços).
7. Verifique se todas as ligações estão apertadas. NÃO permita que as crianças brinquem no produto sem que esteja totalmente montado.



**AVISO:
PERIGO DE SUFOCAMENTO**

Peças pequenas. Necessária a montagem por adultos.



**AVISO:
RISCO DE QUEIMADURA**

- Verifique sempre a temperatura do produto antes de deixar o seu filho brincar com o mesmo.
- Lembre-se de que o produto podem causar queimaduras se deixado em luz solar direta.
- Esteja sempre ciente das condições climáticas e do sol e não assuma que o equipamento é seguro porque a temperatura do ar não está muito elevada.



**AVISO:
PERIGO DE ESTRANGULAMENTO**

Podem ocorrer ferimentos graves ou a morte.

- **NÃO** ate cordas de saltar, cordas da roupa, trelas de animais de estimação ou outros objectos suspensos não concebidos especificamente para a utilização com este equipamento.
- **NÃO** permita que as crianças usem lenços, luvas com atilhos pelo interior das mangas, ou peças de ves tuário como capas, ponchos ou atilhos atados ao pescoço.
- **NÃO** permita que as crianças usem capacetes enquanto estiverem a brincar no equipamento.
- **NÃO** permita que as crianças usem artigos à volta do pescoço, tais como colares, cantis, bolsas e binóculos.

8. Para minimizar os riscos de rebarbas, os parafusos foram concebidos para perfurar o plástico e formar as suas próprias roscas. Exerça todo o cuidado para não apertar demasiado os parafusos; caso contrário, não conseguirão manter as peças unidas.

INSTRUÇÕES DE FUNCIONAMENTO:

1. É necessária constante supervisão por adultos.
2. Limite: 4 crianças. Peso máximo do utilizador: 34 kg (75 lb) por criança.
3. Vista as crianças adequadamente, incluindo calçado adequado que proteja integralmente os pés.
4. Ensine as crianças:
 - antes de brincar no equipamento, quando enleados ou presos.Os exemplos incluem: ponchos, lenços e outras peças de vestuário soltas, capacetes de ciclismo e para outras modalidades.
 - a não colocarem objectos no equipamento de recreio que não tenham sido concebidos especificamente para utilização com o mesmo, exemplos:
 - cordas de saltar, estendais, trelas de animais, cabos e correntes, pois podem provocar um perigo de estrangulamento.
5. Nunca permita que as crianças:
 - utilizem o equipamento de uma forma diferente da prevista,
 - trepem para o equipamento quando estiver coberto de neve ou molhado.
 - utilizem este produto quando as temperaturas caírem abaixo dos 0 °C. Os materiais em plástico podem danificar-se e rachar.
6. Não utilize se a temperatura for inferior a 0 °C.
7. Agite o material de superfície periodicamente para evitar a compactação e manter as profundidades adequadas.
8. Os proprietários são responsáveis pela manutenção da legibilidade das etiquetas de aviso e pela remoção das etiquetas do produto por parte das crianças.

INSTRUÇÕES DE ELIMINAÇÃO:

Desmonte de modo a que não existam quaisquer perigos desnecessários. Recicle sempre que possível. A eliminação deve ser realizada em conformidade com todos os regulamentos governamentais.

INSPECIONE ESTE PRODUTO ANTES DE CADA UTILIZAÇÃO. APORTE BEM TODAS AS LIGAÇÕES E SUBSTITUA COMPONENTES DANIFICADOS OU GASTOS. CONTACTE A STEP2 COMPANY PARA OBTER PEÇAS DE SUBSTITUIÇÃO.

Informacje dla klientów na temat podłóży ochronnych na placach zabaw

Minimalne głębokości skompresowanych powierzchni sypkich

Cale	(Materiał sypki) zapewniający ochronę	upadku z wysokości (stopy)
9	Rozdrobniona/przetworzona guma	10
9	Piasek	4
9	Żwir	5
9	Mulcz z trocin (bez CCA)	7
9	Zrębki drzewne	10

Tabela X3.1

Niniejsze informacje pochodzą z publikacji CPSC „Playground Surfacing – Technical Information Guide” („Powierzchnia placu zabaw – Informacje techniczne”). Kopię publikacji można uzyskać, wysyłając kartkę pocztową na adres: Office of Public Affairs, U.S. Consumer Product Safety Commission, Washington, D.C., 20207, USA lub dzwoniąc na bezpłatną infolinie: 1-800-638-2772.

• X3.1 Amerykańska Komisja do Spraw Bezpieczeństwa Produktów Konsumenckich (CPSC) szacuje, że rocznie w przyszpitalnych oddziałach pomocy w nagłych wypadkach opatruje się ok. 100 000 urazów przy upadkach, których przyczyną było wyposażenie placów zabaw. Urazy tego rodzaju zaliczane są do najpoważniejszych wypadków, jakie zdarzają się na placach zabaw i mogą mieć nawet skutek śmiertelny – szczególnie, gdy dochodzi do urazu głowy. Powierzchnia pod oraz wokół sprzętu do zabawy może stanowić główny czynnik w określeniu stopnia zagrożenia przy upadku. To oczywiste, że upadek na powierzchnię amortyzującą jest bezpieczniejszy niż upadek na twardą powierzchnię.

Wyposażenie placów zabaw nigdy nie powinno być ustawiane na twardych powierzchniach, takich jak beton czy asfalt, a choć trawa może być dobrym rozwiązaniem, w miejscach dużego ruchu zwykle

szybko zamienia się w grudy ziemi. Drobne kawałki kory, trociny, drobnziarnisty piasek lub żwirek są uważane za odpowiedni materiał amortyzujący, jeśli zostaną wysypane i utrzymane na odpowiedniej głębokości pod oraz wokół sprzętu na placu zabaw.

• X3.2 Tabela X3.1 zawiera informacje, w jakiej maksymalnej wysokości dziecko może upaść, nie doświadczając zagrażającego życiu urazu głowy, dla pięć rodzajów sypkich materiałów powierzchniowych, jeśli są one wysypane i utrzymane na głębokości 229 mm. Należy przy tym jednak wziąć pod uwagę, że nie wszystkim urazom można zapobiec, niezależnie od tego, jakiego materiału się użyje do utworzenia powierzchni.

• X3.3 Zaleca się, żeby materiał amortyzujący znajdował się na przestrzeni przynajmniej 1,8 m we wszystkich kierunkach od stacjonarnego sprzętu, takiego jak sprzęt do wspinania czy zjeżdżalnie. Dzieci często celowo

zeskakują z rozhuśtanego siedziska, więc materiał amortyzujący należy dać zarówno z przodu, jak i z tyłu huśtawki na minimalną odległość dwukrotnej wysokości punktu obrotu mierzzonego od punktu znajdującego się bezpośrednio pod osią na konstrukcji wspornej.

• X3.4 Niniejsze informacje mają na celu porównanie względnych właściwości amortyzujących poszczególnych materiałów. Żaden materiał nie jest zalecany bardziej niż inne. Jednakże każdy jest tylko wtedy skuteczny, gdy jest odpowiednio utrzymany. Materiały te powinny być okresowo sprawdzane i uzupełniane, aby utrzymać odpowiednią głębokość, taką jak wymagana dla danego sprzętu. Wybór materiału zależy od rodzaju i wysokości sprzętu zainstalowanego na placu zabaw, a także od dostępności materiału w danym miejscu i jego kosztu.

ZACHOWAĆ TĘ INSTRUKCJĘ DO PÓŹNIEJSZEGO WYKORZYSTANIA.

Instruções para manutenção adequada

A sua estrutura Step2 foi concebida e construída com materiais de qualidade. Tal como acontece com todos os produtos ao ar livre, irá sofrer desgaste devido às condições atmosféricas. Para maximizar a duração, a segurança e o tempo de vida útil da sua estrutura, é importante que proceda a uma manutenção adequada.

Sobre a nossa madeira

A Step2 utiliza madeira 100% de cedro (C. Lanceolata). Embora tenhamos muito cuidado ao selecionar a madeira da melhor qualidade disponível, esta é um produto natural e suscetível a sofrer desgaste, o que pode alterar a sua aparência.

O que provoca o desgaste devido às condições atmosféricas? Afeta a resistência do meu produto?

Uma das principais razões para o desgaste é os efeitos da água (humidade); o teor de humidade da madeira à superfície é diferente do do seu interior. A medida que o clima muda, a humidade move-se para dentro ou para fora da madeira, provocando tensão que pode resultar em fissuras e/ou deformação. Pode esperar o seguinte como consequência do desgaste devido às condições atmosféricas. Estas alterações não afetarão a resistência do produto:

1. Fissuras são rachaduras à superfície da madeira ao longo do grão. Um poste (4" x 4") sofrerá mais fissuras do que uma placa (1" x 4") porque o teor de humidade à superfície e no interior irá variar mais do que na madeira mais fina.

2. A deformação resulta de qualquer distorção (torção, escavação) do plano original da placa e geralmente acontece por a madeira se molhar e secar rapidamente.

3. A descoloração acontece como uma mudança natural na cor da madeira, uma vez que é exposta à luz do sol e se torna mais cinzenta ao longo do tempo.

Como posso reduzir o desgaste do produto de madeira devido às condições atmosféricas?

1. O seu produto de madeira está revestido com uma tinta à base de água. A luz do sol vai quebrar o revestimento, pelo que recomendamos a aplicação anual de um repelente de água ou tinta (consulte o seu fornecedor local de tintas para obter um produto recomendado). Deve aplicar algum tipo de proteção (selante) na madeira do seu produto. **Note que este é um requisito da sua garantia.** A maioria do desgaste é apenas o resultado normal da natureza e não afetará a segurança. No entanto, se estiver preocupado com o facto de uma peça ter sofrido um problema grave de desgaste, contacte o nosso departamento de apoio ao cliente para obter mais assistência.

2. Inspeccione as peças de madeira mensalmente. Por vezes, o grão da madeira irá levantar na estação seca provocando o aparecimento de farpas. Pode ser necessário lixá-la levemente para manter um ambiente seguro. Tratar o seu produto com proteção (selante) após o lixamento ajudará a evitar as fissuras/farpas e outros danos provocados pelas condições atmosféricas.

É IMPORTANTE VERIFICAR E APERTAR TODO O EQUIPAMENTO NO INÍCIO E DURANTE A TEMPORADA DE UTILIZAÇÃO, UMA VEZ QUE SE PODEM SOLTAR DEVIDO À EXPANSÃO E À CONTRAÇÃO DA MADEIRA.

No início de cada temporada de utilização

- Aperte todo o material.
- Verifique todos os revestimentos de proteção em parafusos, tubos, bordas e cantos. Substitua se estiverem soltos, rachados ou em falta.
- Verifique todas as partes da madeira quanto a deterioração e lascas. Lixe as farpas e substitua as partes de madeira deterioradas.
- Volte a colocar todas as peças de plástico, como assentos de baloiço ou quaisquer outros itens que tenham sido removidos para a estação fria.
- Utilize um ancinho e verifique a profundidade dos materiais de proteção à superfície com enchimento para evitar compactação e manter a profundidade apropriada. Substitua conforme necessário.

Duas vezes por mês durante a a temporada de utilização

- Aperte todo o material.
- Verifique todos os revestimentos de proteção em parafusos, tubos, bordas e cantos. Substitua se estiverem soltos, rachados ou em falta.
- Utilize um ancinho e verifique a profundidade dos materiais de proteção à superfície com enchimento para evitar compactação e manter a profundidade apropriada. Substitua conforme necessário.

No final de cada temporada de utilização ou quando a temperatura estiver abaixo dos 32 °F

- Retire os assentos de baloiço de plástico e outros itens especificados pelo fabricante e leve-os para um espaço interior ou não os utilize.
- Utilize um ancinho e verifique a profundidade dos materiais de proteção à superfície com enchimento para evitar compactação e manter a profundidade apropriada. Substitua conforme necessário.

Manutenção adicional

- Verifique o material do baloiço a cada duas semanas devido à expansão e contração da madeira. É particularmente importante que este procedimento seja seguido no início de cada temporada de utilização.
- Inspeccione as peças de madeira mensalmente. Por vezes, o grão da madeira irá levantar na estação seca provocando o aparecimento de farpas. Pode ser necessário lixá-la levemente para manter um ambiente seguro. Pinte regularmente o produto para ajudar a evitar as fissuras/farpas e outros danos provocados pelas condições atmosféricas.
- Foi aplicada uma tinta transparente à base de água no seu produto. O processo visa apenas proteger a cor. Uma ou duas vezes por ano, dependendo das condições atmosféricas, deve aplicar algum tipo de proteção (vedante) na madeira da sua unidade. Antes da aplicação de vedante, lixe levemente qualquer mancha "áspera" encontrada no produto. Note que este é um requisito da sua garantia.
- É muito importante montar e proceder à manutenção do produto num local nivelado. Enquanto os seus filhos brincam, o produto irá afundar-se lentamente no solo e é muito importante que esteja assente uniformemente. Garanta que o produto está nivelado todos os anos ou no início de cada temporada de utilização.

Instruções de eliminação

Quando já não pretender utilizar o produto, este deve ser desmontado e eliminado de forma que não exista nenhum risco desnecessário no momento da eliminação.

Montagem por terceiros

O cliente pode, a seu exclusivo critério, optar por recorrer a uma pessoa ou serviço externo para montar este produto. A Step2 não assume nenhuma responsabilidade ou obrigação por qualquer encargo incorrido pelo Cliente por serviços de montagem. Consulte a nossa garantia para obter mais informações sobre a cobertura de substituição de peças danificadas e em falta. A Step2 não reembolsará o Cliente pelo preço das peças compradas.

Garantia Limitada

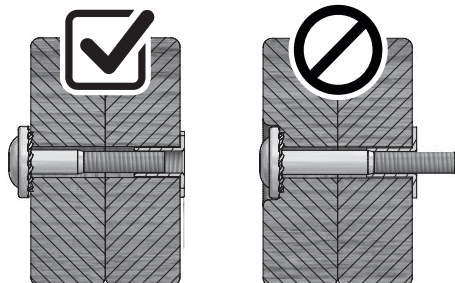
A garantia do produto pode ser encontrada online em:
www.Step2.com www.Step2.custhelp.com/app/answers/detail/a_id/176

OS PROPRIETÁRIOS SERÃO RESPONSÁVEIS PELA MANUTENÇÃO DA LEGIBILIDADE DAS ETIQUETAS DE ADVERTÊNCIA

Dicas de montagem

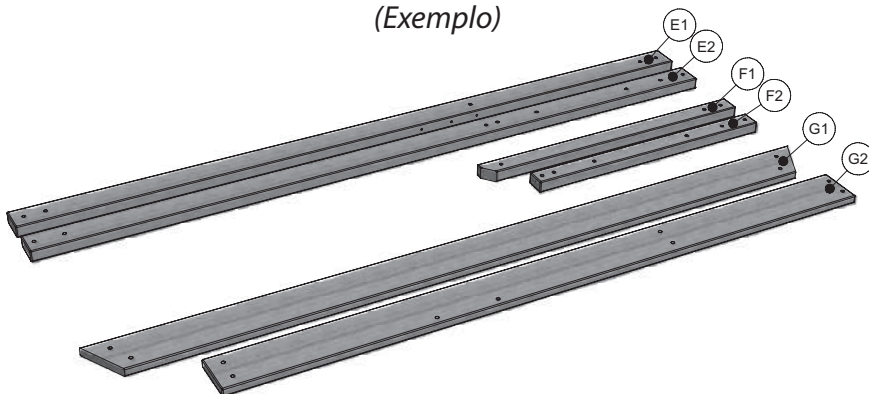
Risco de protuberância

Se as roscas estiverem expostas, procure obter material adequado. Se estiverem demasiado apertadas, adicione anilhas para eliminar a protuberância.



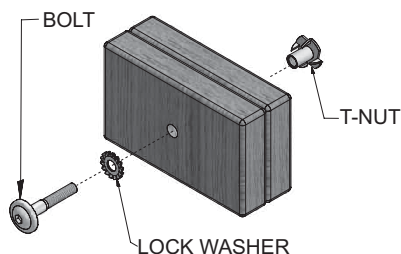
Organização da madeira

(Exemplo)



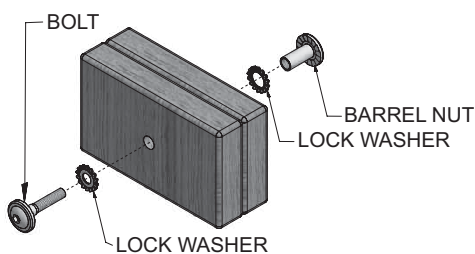
Ao retirar a madeira das caixas, recomendamos organizá-la por número de peça antes de iniciar a montagem. Isso permitirá uma montagem mais rápida e identificará facilmente quaisquer peças que possam estar em falta ou danificadas.

Montagem adequada do material



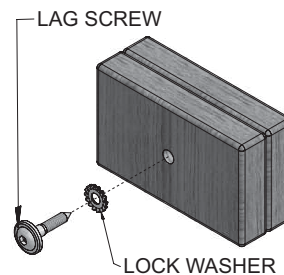
Montagem dos parafusos e das porcas em T

Aberte a porca em T no orifício fornecido. Insira o parafuso através da anilha de pressão e insira no orifício fornecido oposto à porca em T. Gire para a direita para enroscar na porca em T. Não aperte completamente até instrução nesse sentido.



Montagem dos parafusos e das porcas cilíndricas

Insira a porca cilíndrica através da anilha de pressão e pressione o par pelo orifício fornecido. Insira o parafuso através da segunda anilha pressão e insira o par no orifício fornecido oposto à porca cilíndrica. Gire para a direita para enroscar na porca cilíndrica. Não aperte completamente até instrução nesse sentido.



Montagem do parafuso retardador

Por norma, haverá um orifício piloto previamente perfurado nos conjuntos que requerem um parafuso retardador. Se não houver um orifício piloto, alinhe as duas placas como devem ser instaladas e utilize o orifício perfurado de origem como guia para perfurar outro orifício piloto na placa adjacente. Assim, evitará que a madeira se parta. Só é necessária uma anilha de pressão para as fases com parafusos retardadores.

Organização do material

Para ajudar na montagem, recomendamos organizar as caixas de material com o número alfanumérico de sete dígitos impresso nas caixas ou por tipo de material (por exemplo, parafusos, porcas, etc.). Organizar o seu material facilitará a montagem.



BARREL NUT
H100545



SCREW
H100695



T-NUT
H100699



WASHER FLAT
H100706



BOLT HEX
H100716



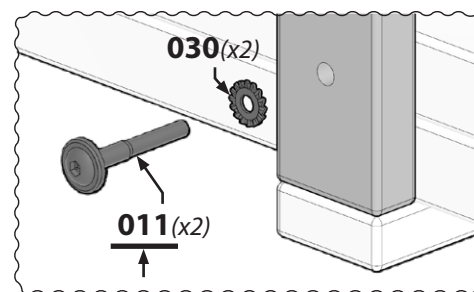
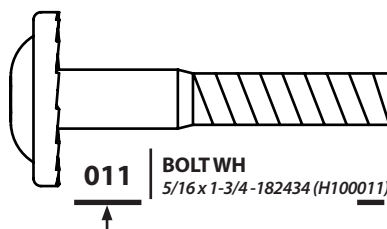
BOLT
H100718



SCREW PWH
H100742

Identificação do material

As caixas de material têm um número de peça alfanumérico de sete dígitos impresso. Durante a montagem, só precisa de consultar os três últimos dígitos do número da peça, conforme indicado em cada fase. Assim, será mais fácil encontrar o material correto.



PRODUKT PRZEZNACZONY DLA DZIECI 3 - 8 LAT.

PRZESTRZEGANIE PONIŻSZYCH ZALECEŃ I OSTRZEŻEŃ ZMNIJSZY PRAWDOPODOBIEŃSTWO ODNIESIENIA POWAŻNYCH LUB ŚMIERTELNYCH OBRAŻEŃ CIAŁA.

ZACHOWAĆ TĘ INSTRUKCJĘ DO PÓŹNIEJSZEGO WYKORZYSTANIA.



OSTRZEŻENIE! ZAGROŻENIE POWAŻNYMI OBRAŻENIAMI GŁOWY LUB ŚMIERCIĄ.

Upadek na twarde podłoże może spowodować poważne obrażenia ciała lub śmierć. Nie montować wyposażenia placów zabaw na twardej powierzchniach, takich jak beton, asfalt, ubita ziemia, trawa, dywan ani na innym twardej podłożu.



OSTRZEŻENIE! RYZIKO ZADŁAWIENIA

małe części. Montaż powinna wykonać osoba dorosła.



OSTRZEŻENIE! NIEBEZPIECZEŃSTWO POPARZENIA

- Zawsze należy sprawdzić temperaturę produktu przed zezwoleniem dzieciom na zabawę nim.
- Należy pamiętać, że produkt mogą powodować poparzenia jeśli pozostaje w bezpośrednim świetle słonecznym.
- Zawsze należy zwracać uwagę na słońce i warunki pogodowe. Nie można zakładać, że urządzenie jest bezpieczne, ponieważ temperatura powietrza nie jest bardzo wysoka.



OSTRZEŻENIE! RYZIKO UDUSZENIA

Zagrożenie poważnymi obrażeniami ciała lub śmiercią.

- **NIE WOLNO** przywiązywać skakanek, sznurów na białiznę, smyczy ani innych swobodnie zwisających przedmiotów, które nie są specjalnie przeznaczone do użytku z tym urządzeniem;
- **NIE WOLNO** pozwalać dzieciom nosić szalików, rękawiczek na sznurku przeprowadzonym przez rękawy ani takiej odzieży, jak peleryny, poncha lub mającej sznurek przy szyi;
- **NIE WOLNO** pozwalać dzieciom nosić kasków w czasie zabawy na urządzeniu;
- **NIE WOLNO** pozwalać dzieciom nosić niczego na szyi, na przykład naszyjników, manierek, torebek i lornetek.

INFORMACJE DOTYCZĄCE BEZPIECZEŃSTWA:

1. Przygotować miejsce wolne od przeszkód, aby zmniejszyć ryzyko obrażeń. Zachować minimalną odległość 2 m od budynków i przeszkód (takich jak ogrodzenia, budynki, nisko zwisające gałęzie, pnie/korzenie drzew, duże kamienie, cegły, beton, sznurki na białiznę i napowietrzne linie energetyczne).
2. Wybrać dla urządzenia równe miejsce, aby zmniejszyć prawdopodobieństwo przewrócenia się zestawu oraz wymyć sypkiego podłoża przez silne deszcze.
3. Wysokość upadku: ok. 138,43 cm (54,5 inches). Nie montować produktu ani materiału podłoża na betonie, asfalcie, ubitej ziemi, trawie, dywanie ani innym twardej podłożu. Upadek na twarde podłoże może spowodować poważne obrażenia ciała. Niniejsza instrukcja zawiera wytyczne dotyczące materiałów na podłoża placów zabaw w zakresie dopuszczalnych zabezpieczeń przed upadkiem (patrz tabela X3.1). Aby utrzymać odpowiedni poziom materiału sypkiego, przygotowane podłoże należy ogrodzić, np. wykopując dookoła rowek i/lub układając w nim obrzeże ogrodowe. Montaż podłoży z mat gumowych lub wylewek (innych niż podłoża z materiałów sypkich) zazwyczaj wymaga skorzystania z usług profesjonalistów i nie są to projekty dla majsterkowiczów.
4. Platformy z odkrytego metalu i zjeżdżalnie (metalowe, plastikowe lub inne) należy chronić przed bezpośrednim działaniem promieni słonecznych, aby zmniejszyć ryzyko poważnych oparzeń. Zjeżdżalnia skierowana na północ będzie narażona na najmniejsze bezpośrednie działanie promieni słonecznych.
5. Zapewnić dość miejsca, aby dzieci mogły bezpiecznie korzystać z urządzenia (na przykład, w przypadku konstrukcji wielofunkcyjnych, zjeżdżalnia nie powinna kończyć się przed huśtawką).
6. Oddzielić od siebie zabawy ruchowe i statyczne (na przykład, umieścić piaskownicę z dala od huśtawek lub użyć barierki, aby je oddzielić).

7. Upewnić się, że wszystkie połączenia są dokręcone. **NIE** pozwalać dzieciom na zabawę na produkcie przed zakończeniem jego montażu.
8. Aby zmniejszyć zagrożenie stwarzane przez opłiki po wierceniu, wkręty zostały zaprojektowane tak, aby przesywały plastik i same tworzyły gwinty. Nie należy zbyt mocno dokręcać wkrętów, gdyż nie będą one łączyć części w prawidłowy sposób.

INSTRUKCJA OBSŁUGI:

1. Należy zapewnić nadzór osoby dorosłej nad dzieckiem przez cały czas.
2. Limit: 4. Maksymalna waga użytkownika 34 kg (75 lb).
3. Dzieci należy odpowiednio ubierać, m.in. w dobrze dopasowane obuwie, które w pełni chroni stopy;
4. **Poinstruować dzieci:**
 - aby nie schodziły z urządzenia, kiedy jest w ruchu;
 - że przed użyciem należy usunąć wszelkie objekty, które mogłyby się wplątać w urządzenie. Na przykład: peleryny, szaliki i inne luźne ubrania, kaski do jazdy na rowerze czy innych sportów;
 - aby nie mocowały rzeczy do wyposażenia placu zabaw, które nie są specjalnie przeznaczone do tych urządzeń, na przykład: skakanek, sznurków na białiznę, smyczy, linek i łańcuchów, ponieważ mogą one stworzyć ryzyko uduszenia.
5. **Nigdy nie wolno pozwalać dzieciom na:**
 - używanie urządzeń w sposób niezgodny z ich przeznaczeniem;
 - wchodzenie na urządzenia pokryte śniegiem lub mokre;
 - używanie produktu przy temperaturze poniżej 0°C; materiały plastikowe stają się wtedy kruche i pękają.
6. temperatura miejsca spadnie poniżej 0°C nie używać.
7. Grabić regularnie podłoże, aby nie dopuścić do jego ubicia i utrzymać odpowiednią głębokość.
8. Właściele ponoszą odpowiedzialność za utrzymywanie czytelności etykiet ostrzegawczych i usunięcie ich z produktu przez dzieci.

INSTRUKCJA UTYLIZACJI :

Należy rozmontować, nie stwarzając niepotrzebnego zagrożenia. Jeśli to możliwe, utylizować. Utylizacja musi odbywać się zgodnie z wszelkimi przepisami krajowymi.

SPRAWDZAĆ PRODUKT PRZED KAŻDYM UŻYCIEM. DOKŁADNIE ZABEZPIECZYĆ POŁĄCZENIA I WYMIENIĆ USZKODZONE LUB ZUŻYTE ELEMENTY. SKONTAKTOWAĆ SIĘ Z FIRMĄ STEP2 W SPRAWIE CZĘŚCI ZAMIENNYCH.

Ficha de informação para o consumidor para materiais de superfície para espaços de recreio.

Profundidades mínimas de material de superfície de enchimento solto comprimido

Polegadas	Material de enchimento solto protege de uma	altura de (pés)
9	Borracha desfeita/reciclada	10
9	Areia	4
9	Brita fina	5
9	Aparas de madeira (não CCA)	7
9	Rasps de madeira	10

Tabela X3.1

Esta informação foi extraída das publicações da CPSC "Materiais de superfície para espaços de recreio – Manual de informação técnica". É possível obter cópias desta publicação enviando um postal para: Office of Public Affairs, U.S. Consumer Product Safety Commission, Washington, D.C., 20207 ou contactar através do número de telephone grátis: 1-800-638-2772.

• X3.1 A Comissão de Segurança de Produtos do Consumidor dos Estados Unidos estima que cerca de 100 000 ferimentos relacionados com equipamentos de recreio resultantes de quedas em solo duro sejam tratados anualmente nas salas de urgência dos hospitais norte-americanos. Os ferimentos que envolvem este padrão de perigo tendem a figurar entre os mais graves de todos os ferimentos em espaços de recreio e têm o potencial de serem fatais, em particular, quando os ferimentos ocorrem na cabeça. A superfície por baixo e em torno do equipamento de recreio pode ser um importante factor na determinação do potencial de ferimento de uma queda. Torna-se evidente que uma queda numa superfície que absorva o choque tem menos probabilidades resultar num ferimento grave que uma queda numa superfície dura.

Os equipamentos de recreio nunca devem ser colocados em superfícies duras, tais como betão ou asfalto e, apesar da relva parecer ser aceitável, pode transformar-se rapidamente em solo compactado em zonas de grande intensidade de

tráfego. Aparas, rasps de madeira, areia fina ou gravilha fina são consideradas como superfícies com absorção de choques aceitáveis quando instaladas e mantidas a uma profundidade suficiente por baixo e em torno do equipamento de recreio.

- X3.2 A Tabela X3.1 lista a altura máxima a partir da qual não se espera que uma crinaça sofra ferimentos na cabeça que incorram em perigo de vida em cinco materiais de superfície soltos diferentes se instalados e mantidos a uma profundidade de 9 pol. (23 cm). No entanto, deve reconhecer-se que nem todos os ferimentos devido a quedas podem ser evitados independentemente do material de superfície utilizado.
- X3.3 Recomenda-se que o material de superfície se prolongue, no mínimo, por 6,5 ft (2 m) em todas as direcções a partir do perímetro do equipamento estacionário, como escadas e escorregas. No entanto e porque as crianças podem saltar deliberadamente de um baloço em movimento, o

material para absorver os choques deve prolongar-se em frente e atrás de um baloço por uma distância mínima de 2 vezes a altura do ponto do pivô medida a partir de um ponto directamente por baixo do pivô na estrutura de suporte.

- X3.4 Esta informação destina-se a ajudar na comparação das propriedades relativas de absorção de choques dos vários materiais. Nenhum material em particular é recomendado em detrimento de outro. No entanto, cada material só é eficaz se for realizada a sua correcta manutenção. Os materiais devem ser verificados periodicamente e reabastecidos de modo a manter a profundidade correcta, conforme necessário para o seu equipamento. A escolha do material depende do tipo e da altura do equipamento de recreio, a disponibilidade do material na sua zona e o seu custo.

**GUARDE ESTA FICHA PARA
REFERÊNCIA FUTURA**

Instrukcje prawidłowej konserwacji

Twoja konstrukcja Step2 została zaprojektowana i stworzona z materiałów o wysokiej jakości. Jak wszystkie produkty używane na zewnątrz podlega warunkom pogodowym i zużyciu. W celu najlepszego wykorzystania konstrukcji, zachowania bezpieczeństwa i żywotności należy odpowiednio ją konserwować.

Pozyskiwane przez nas drewno

Step2 wykorzystuje drewno cedrowe (C. Lanceolata). Chociaż staramy się bardzo uważnie dobierać drewno o najwyższej jakości, jest to wciąż produkt naturalny, który podlega wpływowi czynników atmosferycznych, a jego wygląd może ulec zmianie.

Jak wygląda starzenie się powodowane wpływem czynników atmosferycznych? Czy ma ono wpływ na wytrzymałość mojego produktu?

Jednym z głównych powodów starzenia się powodowanego wpływem czynników atmosferycznych jest wpływ wody (wilgoci). Zawartość wilgoci na powierzchni drewna jest inna niż wewnątrz. W miarę zmian pogody, wilgoć przemieszcza się do wewnątrz lub na zewnątrz drewna, powodując naprężenia, które mogą powodować pęknięcia lub odkształcenia. Z powodu wpływu czynników atmosferycznych można spodziewać się następujących zmian. Zmiany te nie mają wpływu na wytrzymałość produktu:

1. Pęknięcia powierzchni drewna wzdłuż usłojenia. Na słupku (4 x 4 cale) pęknięcia będą pojawiać się częściej niż na płycie (1 x 4 cale), ponieważ różnice powierzchniowej i wewnętrznej zawartości wilgoci są większe niż w przypadku cieńszego drewna.

2. Odkształcenia pojawiają się w wyniku jakichkolwiek zniekształceń (skręcania, pojawiania się wgłębień) pierwotnej płaszczyzny deski; często są wynikiem szybkiego suszenia i nawilżania drewna.

3. Blaknięcie to naturalna zmiana koloru drewna wystawionego na działanie promieni słonecznych. Z czasem drewno przybierze kolor szary.

Jak mogę ograniczyć wpływ czynników atmosferycznych na produkty z drewna?

1. Twój produkt z drewna jest pokryty bejcą wodną. Światło słoneczne osłabi tę powłokę, dlatego zalecamy zastosowanie powłoki wodoodpornej lub bejcy co rok (zapytaj lokalnego dostawcę bejcy i lakierów, aby uzyskać najbardziej odpowiedni produkt). Należy stosować jakąś powłokę zabezpieczającą (środek uszczelniający) na elementy drewniane. **Jest to wymóg gwarancji.** Starzenie się w wyniku działania czynników atmosferycznych jest w większości przypadków naturalnym wynikiem działania przyrody i nie ma wpływu na bezpieczeństwo. Jeśli jednak masz wątpliwości, że jeden z elementów poddany był znacznemu działaniu czynników pogodowych, zadzwoń do naszego działu obsługi klienta, aby uzyskać pomoc.

2. Elementy drewniane należy sprawdzać co miesiąc. Usłojenie drewna może czasem wybrzuszyć się podczas suchego sezonu i pojawiają się drzazgi. Może być konieczne lekkie wygładzenie papierem ściernym, aby zachować pełne bezpieczeństwo. Użycie środka zabezpieczającego po wygładzeniu papierem ściernym pomoże w zabezpieczeniu przed poważnymi pęknięciami/rozszczepieniami lub innymi uszkodzeniami powodowanymi przez wietrze.

KONTROLA I DOKRĘCANIE CAŁEGO OSPRZĘTU NA POCZĄTKU I PODCZAS ZABAWY SĄ BARDZO ISTOTNE, PONIEWAŻ ELEMENTY TE MOGĄ POLUZOWAĆ SIĘ ZE WZGLĘDU NA ROZSZERZANIE LUB KURCZENIE SIĘ DREWNA.

Na początku każdego sezonu zabawy należy

- Dokręcić cały osprzęt.
- Sprawdzić osłony śrub, rur, krawędzi i narożników. Wymienić, jeśli się poluzowały, są pęknięte lub ich brak.
- Sprawdzić wszystkie elementy drewniane pod kątem zużycia lub pojawienia się drzazg. Wygładzić drzazgi papierem ściernym i wymienić zużyte elementy drewniane.
- Ponownie zamontować wszelkie elementy plastikowe, takie jak siedzisko huśtawki lub inne przedmioty, które zostały zdemontowane na sezon zimowy.
- Oczyszczyć spoiny i sprawdzić głębokość nawierzchniowych środków ochronnych, aby uniknąć ubijania i zachować odpowiednią głębokość. Wymienić w razie potrzeby.

W trakcie sezonu letniego dwa razy w miesiącu wykonać następujące czynności

- Dokręcić cały osprzęt.
- Sprawdzić osłony śrub, rur, krawędzi i narożników. Wymienić, jeśli się poluzowały, są pęknięte lub ich brak.
- Oczyszczyć spoiny i sprawdzić głębokość nawierzchniowych środków ochronnych, aby uniknąć ubijania i zachować odpowiednią głębokość. Wymienić w razie potrzeby.

Pod koniec każdego sezonu letniego lub gdy temperatura spadnie poniżej 32°F (0°C)

- Zdemonstować plastikowe siedziska huśtawki oraz inne elementy, jak określono przez producenta, schować wewnątrz budynku i nie używać.
- Oczyszczyć spoiny i sprawdzić głębokość nawierzchniowych środków ochronnych, aby uniknąć ubijania i zachować odpowiednią głębokość. Wymienić w razie potrzeby.

Dodatkowe czynności konserwacyjne

- Co dwa tygodnie sprawdź osprzęt z uwagi na rozszerzanie i kurczenie się drewna. Przestrzeganie tej procedury na początku każdego sezonu jest szczególnie istotne.
- Elementy drewniane należy sprawdzać co miesiąc. Usłojenie drewna może czasem wybrzuszyć się podczas suchego sezonu i pojawiają się drzazgi. Może być konieczne delikatne wygładzenie papierem ściernym, aby zachować pełne bezpieczeństwo. Używaj środka zabezpieczającego regularnie, to pomoże w zabezpieczeniu zestawu przed poważnymi pęknięciami/rozszczepieniami lub innymi uszkodzeniami powodowanymi przez wpływ czynników atmosferycznych.
- Na zestawie użyto przezroczystej bejcy wodnej. Jest to zabieg pomagający w utrzymaniu koloru. Raz lub dwa razy w roku, w zależności od warunków klimatycznych, należy zastosować powłokę zabezpieczającą (uszczelniając). Przed zastosowaniem uszczelniacza, należy delikatnie wygładzić papierem ściernym „szorstkie” miejsca zestawu. Jest to wymóg gwarancji.
- Bardzo istotny jest montaż i konserwacja zestawu do zabawy na płaskiej powierzchni. W miarę zabawy, zestaw będzie powoli „wkopywać” się w ziemię, i ważne jest, aby odbywało się to równo. Raz do roku lub na początku sezonu letniego upewnij się, że zestaw do zabawy jest ustawiony poziomo.

Instrukcja utylizacji

Jeśli centrum zabawy nie jest już używane, należy je zdemonstować i zutylizować w taki sposób, aby nie powodować żadnego nieuzasadnionego ryzyka w momencie wyrzucania przedmiotu.

Montaż przez osoby trzecie

Klient może według własnego uznania wybrać osoby trzecie lub usługi firm trzecich do montażu tego produktu. Step2 nie ponosi odpowiedzialności za jakiegokolwiek opłaty poniesione przez Klienta za usługi montażowe. W celu uzyskania informacji na temat wymiany uszkodzonych lub brakujących części zamiennych, którą pokrywa gwarancja, prosimy zapoznać się z gwarancją. Step2 nie zwraca kosztów zakupionych części zamiennych poniesionych przez Klienta.

Ograniczona Gwarancja

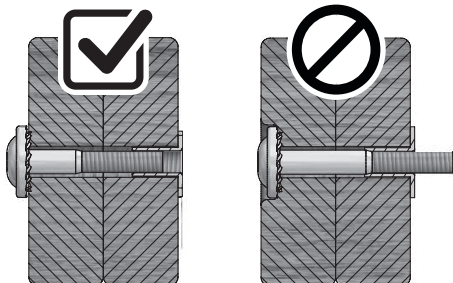
Gwarancja na produkt można znaleźć w Internecie pod adresem: www.Step2.com www.Step2.custhelp.com/app/answers/detail/a_id/176

OWŁAŚCICIEL PRODUKTU JEST ODPOWIEDZIALNY ZA UTRZYMANIE CZYTELNOŚCI ETYKIET OSTRZEGAWCZYCH

Wskazówki dotyczące montażu

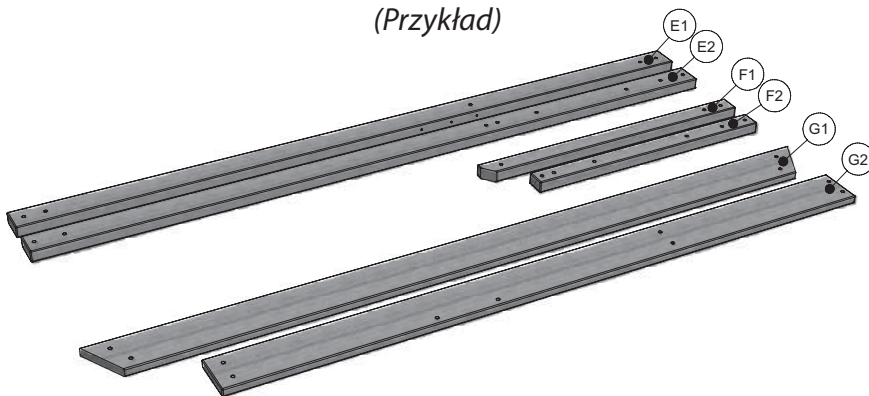
Ryzyko spowodowane przez wystające elementy

W przypadku wystających gwintów należy sprawdzić, czy zamontowano właściwy osprzęt. W przypadku zbyt mocnego dokręcenia, należy dodać podkładki, aby wyeliminować wystające elementy.



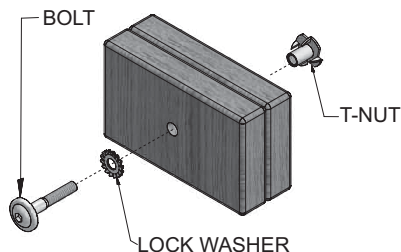
Sortowanie materiałów

(Przykład)



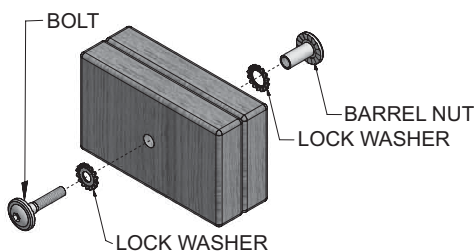
Podczas wyciągania materiałów drewnianych z pudełek, przed rozpoczęciem montażu zalecamy ułożenie ich według numerów części. To pozwoli na szybszą i łatwiejszą identyfikację wszelkich brakujących lub uszkodzonych części.

Prawidłowy montaż osprzętu



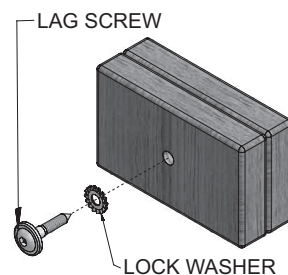
Zespół z wkrętem i nakrętką do rowka teowego

Wbić nakrętkę do rowka teowego do odpowiedniego otworu. Włożyć śrubę do odpowiedniego otworu znajdującego się po drugiej stronie nakrętki do rowka teowego, używając nakrętki zabezpieczającej. Obrócić w prawo, aby wkręcić w nakrętkę do rowka teowego. Nie dokręcać całkowicie, do momentu pojawienia się odpowiedniej instrukcji.



Zespół śruby i nakrętki kołnierzej

Włożyć nakrętkę kołnierзовą w otwór nakrętki blokującej i przecisnąć je przez odpowiedni otwór. Włożyć śrubę do odpowiedniego otworu znajdującego się po drugiej stronie nakrętki do rowka teowego, używając nakrętki zabezpieczającej. Obrócić w prawo, aby wkręcić w nakrętkę kołnierзовą. Nie dokręcać całkowicie, do momentu pojawienia się odpowiedniej instrukcji.

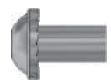


Zespół z wkrętem sześciokątnym

Zwykle w zespołach wymagających zastosowania wkręta z łbem sześciokątnym wstępnie nawiercono otwory pilotażowe. Jeśli nie ma takiego otworu należy ułożyć równo dwie deski, jak w przypadku montażu, i użyć fabrycznego otworu jako otworu prowadzącego w celu wywiercenia otworu pilotażowego w przylegającej desce. To zapobiegnie rozszczepieniu drewna. Nakrętki zabezpieczające są wymagane tylko w etapach wykorzystujących wkręty z łbem sześciokątnym.

Sortowanie osprzętu

Zalecamy również układanie torebek z osprzętem według siedmiocyfrowego numer alfanumerycznego nadrukowanego na ich powierzchni lub według typu osprzętu (tj. wkręty, nakrętki itp.). Odpowiednie ułożenie osprzętu ułatwi montaż.



BARREL NUT
H100545



SCREW
H100695



T-NUT
H100699



WASHER FLAT
H100706



BOLT HEX
H100716



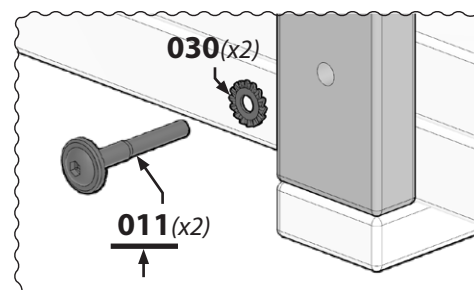
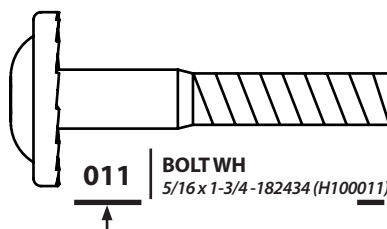
BOLT
H100718



SCREW PWH
H100742

Identyfikacja osprzętu

Na torebkach nadrukowano siedmiocyfrowy numer alfanumeryczny części. Podczas montażu wystarczy odnieść się do ostatnich trzech cyfr numeru części, co zaznaczono w każdym kroku. To sprawi, że odnalezienie właściwego osprzętu będzie łatwiejsze.



VORGESEHEN FÜR KINDER VON 3-8 JAHREN.

FOLGENDE HINWEISE UND WARNUNGEN BEACHTEN, UM DAS RISIKO SCHWERER ODER TÖDLICHER VERLETZUNGEN ZU MINDERN.

BEWAHREN SIE DIESE ANWEISUNGEN AUF.

! WARNUNG: ERSTICKUNGSGEFAHR

Kleinteile. Scharfe Spitzen. Zusammenbau durch Erwachsene erforderlich.

! WARNUNG: VERBRENNUNGSGEFAHR

- Bevor Sie Ihre Kinder damit spielen lassen, stets die Temperatur des Produktes prüfen.
- Bei direkter Sonneneinstrahlung kann das Produkt Verbrennungen verursachen.
- Achten Sie stets auf die Sonneneinstrahlung und die Wetterbedingungen und gehen Sie nicht davon aus, dass die Benutzung des Produkts aufgrund einer niedrigen Lufttemperatur unbedenklich ist.

! WARNUNG: STRANGULATIONSGEFAHR

mit schwerer Verletzungs- oder Todesfolge.

- **ACHTUNG** Keine Springseile, Wäscheleinen, Hundeleinen oder andere lose hängende Gegenstände befestigen, die nicht speziell für dieses Gerät vorgesehen sind.
- **ACHTUNG** Gestatten sie Kindern Schals, mit Kordeln durch die Ärmel verbundene Fausthandschuhe oder Capes, Ponchos oder Kleidungsstücke mit Zugbändern am Hals zu tragen.
- **ACHTUNG** beim Spielen auf dem Gerät Helme zu tragen.
- **ACHTUNG** Gegenstände um den Hals, wie Ketten, Feldflaschen, Taschen/Beutel und Ferngläser zu tragen.



! WARNUNG: GEFAHR SCHWERER ODER TÖDLICHER KOPFVERLETZUNGEN.

Stürze auf harte Oberflächen können schwere oder tödliche Verletzungen verursachen. Spielgeräte nicht auf harten Oberflächen, wie Beton, Asphalt, verdichteter Erde, Gras, Teppich oder anderen harten Oberflächen installieren. Aufsicht durch Erwachsene erforderlich.

SICHERHEITSHINWEISE:

1. Achten Sie auf Hindernisfreiheit, um Verletzungen vorzubeugen. Halten Sie einen Mindestabstand von 2m zu Baukörpern oder Hindernissen ein, wie Zäune, Gebäude, Garagen, Wohnhäuser, tief hängende Äste, Baumstümpfe/Wurzeln, große Felsen, Ziegelsteine, Beton, Wäscheleinen oder elektrische Leitungen.
2. Wählen Sie einen ebenen Standort für das Gerät, um die Wahrscheinlichkeit zu mindern, dass das Spielhaus umkippt und lose Bodenbeschichtung bei starkem Regen weggespült wird.
3. Sturzhöhe: 138,43 cm (54,5 Zoll) Das Produkt oder Belagmaterial nicht auf Beton, Asphalt, verdichteter Erde, Gras, Teppich oder anderen harten Oberflächen installieren. Ein Sturz auf eine harte Oberfläche kann schwere Verletzungen verursachen. Richtlinien für stoßdämpfende Spielplatzböden für den notwendigen Fallschutz sind in diesem Anweisungsblatt (Tabelle X3.1) enthalten. Die notwendige Höhe des stoßdämpfenden Füllmaterials durch Eindämmung, wie Randausbau und/oder Umgebung mit einer Landschaftseinfassung sichern. Das Legen von Gummifliesen oder eingegossenen Flächen (außer lose Füllmaterialien) erfordern in der Regel einen Fachmann und sind keine Heimwerkerprojekte.
4. Stellen Sie Plattformen und Rutschen aus blankem Metall (Metall, Kunststoff und sonstiges) vor direktem Sonnenlicht geschützt auf, um die Wahrscheinlichkeit schwerer Verbrennungen zu verringern. Eine Rutsche, die nach Norden ausgerichtet ist, erhält das geringste direkte Sonnenlicht.
5. Sorgen Sie für genügend Platz, damit die Kinder die Geräte ungefährdet benutzen können (so sollte bei Kinderspielgeräten mit mehreren Aktivitäten eine Rutsche nicht vor einer Schaukel enden).
6. Trennen Sie lebhaft und ruhige Aktivitäten voneinander (legen Sie Sandkästen in genügend Abstand von Schaukeln an oder trennen Sie die Sandkästen mit einem Schutzgelenker von den Schaukeln).
7. Vergewissern Sie sich, dass alle Verbindungen fest und sicher sind. Gestatten Sie Kindern NICHT, auf dem Produkt zu spielen, bis es

vollständig montiert ist.

8. Um das Verletzungsrisiko durch Bohrspäne zu vermindern, sind Schrauben enthalten, die sich im Kunststoff eigene Bohrlöcher bohren. Die Schrauben nicht überdrehen, um den sicheren Zusammenhalt der Teile zu gewährleisten.

GEBRAUCHSANWEISUNG:

1. Nur zur Benutzung unter ständiger Aufsicht von Erwachsenen.
2. Benutzerlimit: 4 Kinder Höchstgewicht pro Benutzer: 34 kg (75 lbs)
3. Kleiden Sie die Kinder angemessen, inklusive fester Schuhe, die die Füße vollständig schützen.
4. Die Kinder anweisen,
 - mit den Füßen zuerst herunterzurutschen; ein Kind nach dem anderen,
 - vor dem Spielen alle Dinge abzulegen, die sich beim Spielen auf dem Gerät verheddern und verfangen können. Beispiele: Ponchos, Schals und andere lose Kleidung, Fahrrad- oder Sporthelme.
 - keine Gegenstände an dem Spielgerät anzubringen, die nicht speziell für die Verwendung mit dem Gerät ausgelegt sind, wie: Springselle, Wäscheleinen, Hundeleinen, Kabel, Ketten o. ä.
5. Kindern niemals erlauben:
 - das Gerät auf andere Weise als vorgesehen zu benutzen;
 - auf das Gerät zu klettern, wenn es schneebedeckt oder nass ist;
 - dieses Produkt bei Temperaturen unter 0°C zu benutzen. Kunststoffmaterialien können brüchig werden und splintern.
6. Bei Temperaturen unter 0°C nicht benutzen.
7. Die Stellfläche regelmäßig harken, um Verdichtung zu verhindern und die notwendigen Tiefen beizubehalten.
8. Eigentümer tragen die Verantwortung für die Lesbarkeit der Warnschilder und für Kinder, die Warnschilder vom Produkt entfernen.

ENTSORGUNGSANWEISUNGEN:

Das Gerät so zerlegen, dass keine unzumutbaren Gefahren entstehen. Wenn möglich, das Produkt zum Recycling geben. Allen behördlichen Vorschriften entsprechend entsorgen.

DIESES PRODUKT VOR JEDEM GEBRAUCH PRÜFEN. ZIEHEN SIE DIE SCHRAUBVERBINDUNGEN FEST AN UND ERSETZEN SIE BESCHÄDIGTE ODER ABGENUTZTE TEILE. WENDEN SIE SICH AN STEP2 ZUR BESTELLUNG VON ERSATZTEILEN.

Verbraucherinformationsblatt für Spielplatzbelagmaterialien

Minimal komprimierte, locker gefüllte Belagtiefen

Zentimeter	Loses Fallschutzmaterial schützt bis	Fallhöhe (Meter)
9	Zerschnitzeltes/recyceltes Gummi	10
9	Sand	4
9	Schrot	5
9	Holzmulch (nicht CCA-behandelt)	7
9	Hackschnitzel	10

Tabelle X3.1

Diese Informationen sind den CPSC-Publikationen "Playground Surfacing – Technical Information Guide" entnommen. Exemplare dieser Publikation können unter folgender Adresse per Postkarte angefordert werden: Office of Public Affairs, U.S. Consumer Product Safety Commission, Washington, D.C., 20207 oder rufen Sie die gebührenfreie Hotline an: Telefon +1-800-638-2772.

• X3.1 Die US-Kommission für Verbrauchersicherheit schätzt, dass jährlich ungefähr 100.000 Verletzungen in Notaufnahmen von Krankenhäusern in den USA behandelt werden, die auf Spielplätzen durch Stürze auf den Boden verursacht wurden. Verletzungen mit diesem Gefahrenmuster zählen zu den schwersten Verletzungen auf einem Spielplatz und können insbesondere bei Kopfverletzungen tödlich sein. Der Flächenbelag unter den Spielgeräten und darum herum trägt als wesentlicher Faktor zur Bestimmung des Verletzungspotenzials eines Sturzes bei. Offensichtlich verursacht ein Sturz auf eine federnde, stoßdämpfende Oberfläche eine weniger schwere Verletzung als ein Sturz auf eine harte Oberfläche. Spielgeräte dürfen niemals auf harten Oberflächen wie Beton oder Asphalt aufgestellt werden. Gras mag geeignet erscheinen, kann sich in stark frequentierten Bereichen jedoch schnell in verdichtete

Erde verwandeln. Zerkleinerter Rindenmulch, Holzspäne, feiner Sand oder feiner Kies gelten als tragfähige stoßdämpfende Oberflächen, sofern sie bei ausreichender Tiefe unter und um Spielgeräte herum verlegt und vorschriftsmäßig gewartet werden. • In Tabelle X3.1 ist die Maximalhöhe angegeben, bis zu der ein Kind bei einem Sturz in eines von fünf verschiedenen stoßdämpfenden Füllmaterialien, die mit einer Tiefe von 22,8 cm installiert und gepflegt werden, keine lebensbedrohliche Kopfverletzung droht. Es muss jedoch eingeräumt werden, dass sich nicht alle Sturzverletzungen, ungeachtet des Belagmaterials, verhindern lassen. • X3.3 Es wird empfohlen, dass sich stoßdämpfendes Material mindestens 1,5 m in alle Richtungen vom Randbereich stationärer Geräte wie Klettergerüste und Rutschen erstreckt. Da Kinder jedoch absichtlich von einer sich bewegenden Schaukel springen können, sollte sich

das stoßdämpfende Material im vorderen und hinteren Bereich der Schaukel, gemessen von einem Punkt direkt unter dem Drehpunkt einer Stützkonstruktion, mindestens um das Zweifache der Höhe des Drehpunktes erstrecken. • X3.4 Diese Angaben sind zur Hilfestellung bei einem Vergleich der relativen stoßdämpfenden Eigenschaften verschiedener Materialien vorgesehen. Es wird kein bestimmtes Material empfohlen. Jedes Material ist jedoch nur so lange wirksam, so lange es ordnungsgemäß gepflegt wird. Die Materialien müssen regelmäßig geprüft und aufgefüllt werden, um die für Ihre Spielgeräte notwendige Fallschutztiefe beizubehalten. Die Wahl des Materials richtet sich nach der Art und Höhe der Spielgeräte, der Erhältlichkeit des Materials in Ihrer Nähe und den damit verbundenen Kosten.

DIESE ANWEISUNGEN AUFBEWAHREN.

Vorschriftsmäßige Instandhaltung

Das Tragwerk Ihres Step2-Produkts wurde mit hochwertigen Materialien konzipiert und gefertigt. Wie alle Outdoor-Produkte ist es dem Wetter und Verschleiß ausgesetzt. Damit Sie möglichst lange Freude an Ihrem Spielgerät haben ist es wichtig, dass Sie es ordnungsgemäß pflegen.

Unser Holz

Step2 verwendet 100% Zedernholz (C. Lanceolata). Wir suchen unsere Hölzer sehr sorgfältig aus. Holz als Naturprodukt ist dennoch Witterungseinflüssen ausgesetzt, die das äußere Erscheinungsbild Ihres Gerätes verändern können.

Was verursacht Verwitterung? Beeinträchtigt sie die Stabilität meines Produkts?

Eine der Hauptursachen für Verwitterung ist Feuchtigkeit in Form von Wasser und Luftfeuchtigkeit; der Feuchtigkeitsgehalt an der Oberfläche von Holz ist nicht der gleiche wie im Inneren des Holzes. Je nach Änderung des Klimas, zieht Feuchte in das Holz ein oder verdunstet. Dies führt zu Spannungen, die Risse und Verziehungen verursachen können. Die auf Ihr Produkt zutreffenden Auswirkungen sind nachstehend beschrieben. Folgende Auswirkungen beeinträchtigen die Stabilität und Festigkeit des Produkts nicht:

1. Trockenrisse an der Oberfläche des Holzes entlang der Maserung. An Pfosten (10,16 x 10,16 cm) (4 x 4 Zoll) treten mehr Trockenrisse auf als an einem Brett (2,54 x 10,16 cm) (1 x 4 Zoll), da der Unterschied des Feuchtegehalts zwischen der Oberfläche und dem Inneren des Pfostens größer ist als bei dünnerem Holz.

2. Verzug wird durch eine Verformung (Verdrehung, Wölbung) der ursprünglichen Ebene eines Bretts verursacht und tritt auf, wenn das Holz in kurzen Zeitabständen benetzt wird (quillt) und trocknet.

3. Ausbleichung/Vergrauung ist eine durch natürliche Vorgänge verursachte Veränderung der Holzfarbe, da sie dem ultravioletten Licht der Sonne ausgesetzt ist und mit der Zeit grau wird.

Wie kann ich mein Holzprodukt vor Verwitterung schützen?

1. Ihr Holzprodukt ist mit einer wasserbasierten Lasur beschichtet. Sonnenlicht zersetzt diese Beschichtung, daher empfehlen wir, jedes Jahr eine wasserabweisende Lasur oder Beize aufzutragen (bitten Sie Ihren Fachhändler für Lacke und Beizen um entsprechende Empfehlungen). Das Holz Ihres Produkts muss mit einer Versiegelung geschützt werden. **Beachten Sie bitte, dass dies eine Erfüllungsbedingung Ihrer Garantie ist.** Die meisten Zeichen von Verwitterung sind natürliche Vorgänge, die die Sicherheit nicht beeinträchtigen. Wenden Sie sich bei Befürchtungen, dass ein Teil außergewöhnlich stark verwittert ist, bitte an unseren Kundendienst, der Ihnen weiterhelfen wird.

2. Überprüfen Sie die Holzbauteile monatlich. In trockenen Zeiten kann es vorkommen, dass sich die Maserung des Holzes hebt und dadurch Splitter entstehen. In diesem Fall kann zur Gewährleistung der Sicherheit ein leichtes Abschleifen notwendig sein. Die Behandlung Ihres Produkts mit einem Schutzmittel (Versiegler) nach dem Schleifen beugt Riss- und Splitterbildung und anderen Witterungsschäden vor.

WICHTIG: ALLE BESCHLÄGE ZU BEGINN UND WÄHREND DER SPIELSAISON ÜBERPRÜFEN UND FESTZIEHEN, DA SIE SICH AUFGRUND DES QUELLENS UND SCHWINDENS DES HOLZES LÖSEN KÖNNEN.

Zu Beginn jeder Spielsaison

- Alle Beschläge/Metallteile festziehen.
- Alle Schutzabdeckungen an Schraubbolzen, Rohren, Kanten und Ecken überprüfen. Lose, beschädigte oder fehlende Teile ersetzen.
- Alle Holzkomponenten auf Verschleiß und Splitter überprüfen. Splitter abschleifen und beschädigte Holzteile ersetzen.
- Kunststoffteile, wie Schaukelsitze oder andere Gegenstände, die in der kalten Jahreszeit entfernt wurden, wieder anmontieren.
- Den Fallschutzbodenbelag durchharken und überprüfen, um Verdichtungen zu verhindern und die notwendige Tiefe beizubehalten. Falls notwendig, austauschen.

Zweimal im Monat während der Spielsaison

- Alle Beschläge/Metallteile festziehen.
- Alle Schutzabdeckungen an Schraubbolzen, Rohren, Kanten und Ecken überprüfen. Lose, beschädigte oder fehlende Abdeckungen ersetzen.
- Den Fallschutzbodenbelag durchharken und überprüfen, um Verdichtungen zu verhindern und die notwendige Tiefe beizubehalten. Falls notwendig, austauschen.

Am Ende jeder Spielsaison oder wenn die Temperatur unter 0° C fällt

- Die Schaukelsitze aus Kunststoff und andere, vom Hersteller genannte, Teile entfernen und ins Haus bringen oder nicht benutzen.
- Den Fallschutzbodenbelag durchharken und überprüfen, um Verdichtungen zu verhindern und die notwendige Tiefe beizubehalten. Falls notwendig, austauschen..

Zusätzliche Wartungsarbeiten

- Überprüfen die Beschläge alle zwei Wochen auf Quellung und Schrumpfung des Holzes. Diese Überprüfung ist besonders wichtig zu Beginn jeder Jahreszeit.
- Überprüfen Sie die Holzbauteile monatlich. Bei Trockenheit können sich Teile der Maserung heben und dadurch Splitter entstehen, die durch leichtes Abschleifen beseitigt werden können, um Verletzungen zu vermeiden. Behandeln Sie Ihr Spielgerät regelmäßig mit Holzschutzlasur, um Rissen und anderen witterungsbedingten Schäden vorzubeugen.
- Ihr Spielgerät wurde mit einer transparenten Holzschutzglasur behandelt, die nur zu Zwecken der Färbung aufgetragen wurde. Je nach Klimabedingungen müssen Sie ein- oder zweimal in Jahr ein Versiegelungsmittel auf das Holz Ihres Spielgeräts auftragen. Vor dem Auftragen der Versiegelung rauhe Stellen am Spielgerät glattschleifen. Beachten Sie bitte, dass dies eine Erfüllungsbedingung Ihrer Garantie ist.
- Die Montage und Instandhaltung des Spielgeräts auf einer ebenen Stellfläche ist sehr wichtig. Durch das Gewicht der spielenden Kinder wird es sich langsam in den Boden einarbeiten. Dabei ist es sehr wichtig, dass es sich gleichmäßig absenkt. Überprüfen Sie einmal im Jahr oder zu Beginn jeder Spielsaison, dass das Spielgerät waagrecht auf einer Ebene steht und korrekt ausgerichtet ist.

Entsorgungsanweisungen

Wenn das Spielgerät nicht länger gebraucht wird, sollte es demontiert und so entsorgt werden, dass zum Zeitpunkt der Entsorgung des Gerätes keine unzumutbaren Gefahren bestehen.

Montage durch einen Dritten

Der Kunde kann sich nach eigenem Ermessen dazu entscheiden, dieses Produkt von einer Drittperson oder einem Drittdienstleister montieren zu lassen. Step2 übernimmt keine Verantwortung oder Haftung für jegliche Kosten, die dem Kunden für Montageleistungen entstehen. Weitere Angaben zu Garantieleistungen bezüglich beschädigter und fehlender Teile finden Sie in unserer Garantie. Der Kaufpreis von Teilen wird dem Kunden von Step2 nicht erstattet.

Eingeschränkte Garantie

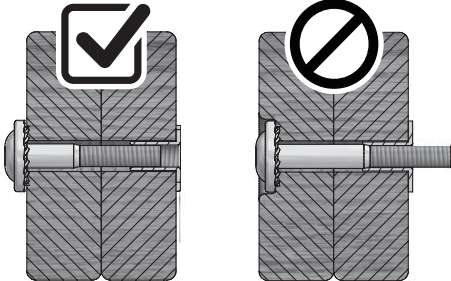
Produktgarantie finden Sie online unter:
www.Step2.com www.Step2.custhelp.com/app/answers/detail/a_id/176

EIGENTÜMER SIND VERANTWORTLICH FÜR DIE GEWÄHRLEISTUNG DER LESBARKEIT DER WARNSCHILDER

Montagetipps

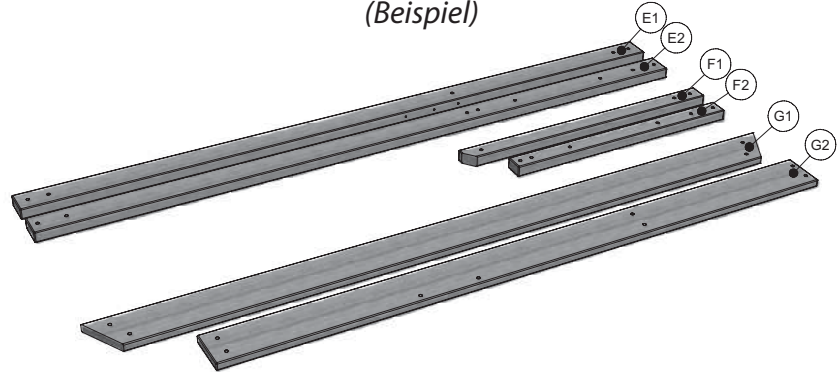
Gefahr durch vorstehende Teile

Bei freigelegtem Gewinde auf korrektes Teil prüfen. Wenn zu fest angezogen, den Überstand durch Unterlegscheiben beheben.



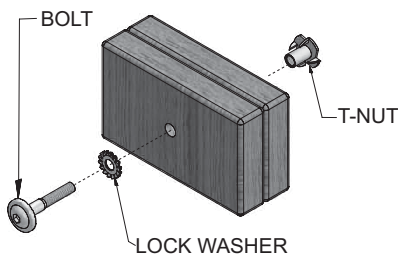
Sortieren des Holzes

(Beispiel)



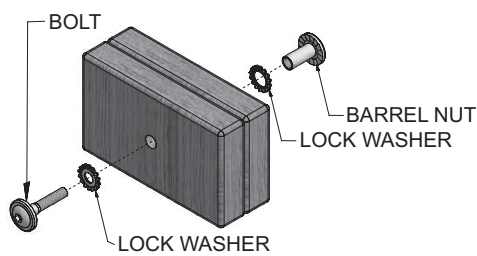
Nach dem Auspacken des Holzes aus den Kisten empfehlen wir, es nach Teilenummern zu sortieren, bevor Sie mit der Montage beginnen. Dies ermöglicht die schnellere Montage und erleichtert die Identifizierung fehlender oder beschädigter Teile.

Korrekte Montage der Beschläge



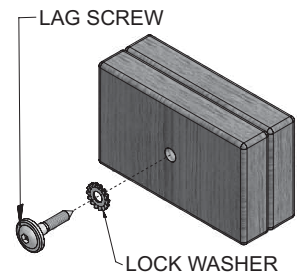
Schraubbolzen und T-Nutenstein

T-Nutenstein in die Bohrung einklopfen. Den Bolzen durch die Sicherungsscheibe und in die Bohrung gegenüber dem T-Nutenstein einschieben. Im Uhrzeigersinn in den T-Nutenstein eindrehen. Nicht vollständig festziehen, bis Sie dazu aufgefordert werden.



Schraubbolzen und Zylindermutter

Die Zylindermutter durch die Sicherungsscheibe schieben und beide in die Bohrung einpressen. Den Schraubbolzen durch die zweite Sicherungsscheibe schieben und beide in die Bohrung gegenüber der Zylindermutter einführen. Im Uhrzeigersinn in die Zylindermutter eindrehen. Nicht vollständig festziehen, bis Sie dazu aufgefordert werden.

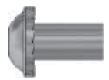


Ankerbolzen

Baugruppen, die eine Ankerschraube erfordern, haben normalerweise eine Führungsbohrung. Falls keine Führungsbohrung vorhanden ist, die beiden Bretter so ausrichten, wie sie befestigt werden sollen, und das werkseitige Bohrloch als Orientierung zum Bohren einer weiteren Führungsbohrung in das anliegende Brett verwenden. Dadurch wird verhindert, dass das Holz splittet. Für Montageschritte mit Ankerschrauben wird nur eine Sicherungsscheibe benötigt.

Sortieren der Beschläge

Zur besseren Übersicht bei der Montage empfehlen wir Ihnen, die Beutel mit den Beschlägen nach den auf den Beuteln aufgedruckten 7-stelligen alphanumerischen Teilenummern oder nach Art (wie Schrauben, Muttern usw.) zu ordnen. Gut geordnete Beschläge vereinfachen die Montage.



BARREL NUT
H100545



SCREW
H100695



T-NUT
H100699



WASHER FLAT
H100706



BOLT HEX
H100716



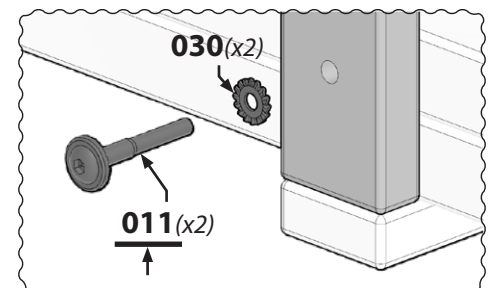
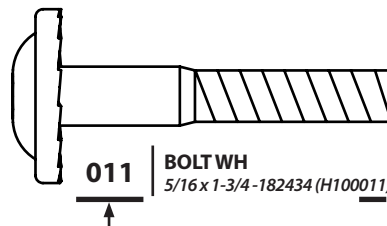
BOLT
H100718



SCREW PWH
H100742

Identifizierung der Beschläge

Jeder Zubehörbeutel ist mit einer 7-stelligen alphanumerischen Teilenummer bedruckt. Während der Montage müssen Sie bei jedem Schritt anleitungsgemäß nur auf die letzten drei Ziffern der Teilenummer achten. Das erleichtert die Suche nach den richtigen Teilen.



供年龄 3 - 8 周岁。

阅读以下陈述和警示，减少严重或致命伤害发生的可能性。

保存本说明书以供今后参考。



警示：
可能造成严重的头部伤害或死亡。

摔落到坚硬的表面可能会导致重伤或死亡。不要将游乐设备安装在过硬的表面上，例如混凝土、沥青、硬泥地、草地、地毯或任何其他坚硬的表面。需成人监督。

贴纸置放：

- 腾出一块空地，以减少受伤的可能。与建筑物或障碍物至少保持 6.5 英尺（2 米）的距离（例如：栅栏、建筑、车库、房屋、低垂的树枝、树桩/树根、大石块、砖块、混凝土、晒衣绳或电线）。
- 将产品放置于水平位置，减少装置倾倒或松填铺面材料在暴雨天被冲走的可能性。
- 坠落高度：54.5 英寸（138,43 公分）。不要将产品或铺面材料安装在混凝土、沥青、硬泥地、草地、地毯或任何其他坚硬的表面。坠落到坚硬的表面可能会导致重伤。该说明书包含有关可接受的坠落防护装置的游乐场铺面材料准则（请参阅表 X3.1）。要使松填铺面材料保持在适当状态，请采取围堵措施，例如沿着周长挖掘和/或进行包边。铺设橡胶地砖或现场浇筑的表面（而非松填材料）通常需要专业人员，不是自己动手就能够完成的。
- 将裸金属平台和滑道（金属、塑料或其他材质）置于太阳光线无法直射的地方，以减少严重灼伤的可能性。朝北的滑道受到阳光直射的时间最少。
- 提供足够的空间，让孩子们可以安全使用设备（例如：对于可进行多项活动的结构，滑道不得位于秋千前方）。
- 将动态活动与安静的活动分开（例如：将秋千和沙箱隔开或使用护栏将沙箱和秋千隔开）。
- 检查所有连接处是否都牢牢固定。在产品完全组装前，切勿让儿童使用。
- 为了使钻头剃边带来的危险降至最低，螺钉的设计使其可以穿透塑料并自己形成螺纹。请小心，不要过度固定螺钉，否则它们不能恰当地将零件连在一起。

操作说明：

- 任何时候都需要有成人监督。
- 限制：4 名儿童。儿童最大体重：每名儿童 75 磅（34 千克）。
- 为儿童穿上合适的衣物，包括能全面保护双脚的合脚鞋。
- 告诫儿童：**
 - 滑动时，脚朝前；一次一名儿童，
 - 在玩设备前，取下可能会造成儿童被缠住和被困等危险的物品。例如：披风、围巾、其他宽松的衣服、自行车头盔或其他运动头盔，
 - 不要在设备运行过程中下来，
 - 不要将不是为游乐场设备专门设计的物品用于设备之上（例如：跳绳、晒衣绳、宠物带、线缆和链条），因为它们可能会造成窒息危险。
- 决不允许儿童：**
 - 以规定以外的方式使用设备。
 - 在设备被冰雪覆盖或潮湿的情况下攀爬设备。
 - 在气温低于 32° F (0° C) 时使用本产品，因为塑料材质可能会变脆和开裂。
- 置于室内，或在温度低于 32° F (0° C) 时不使用。
- 定期耙翻表面，防止压实，以保持适当的厚度。
- 如果警示标签的可读性有损或儿童撕毁悬挂的攀爬绳、链条或电缆，确保它们：标签，所有者应负责进行维护。

处理指南：

拆除设备以消除不合理风险。如可能，请回收利用。处理时必须遵守所有的政府规章。

每次使用前检查本产品。紧密固定连接处，并换掉破损或磨损的部件。联系 STEP2 公司获取替换零件



警示：
窒息危险

小部件。尖角。要求成人组装。



警示：
灼伤危险

- 让孩子玩耍产品之前，请始终检查产品的温度。
- 请记住，该产品可能会造成烫伤 如果阳光直射。
- 随时关注太阳与天气情况，请勿因为气温不高而认为游乐设施是安全的。



警示：
窒息危险

可能会造成重伤或死亡。

- 请勿将不是专门为该设备设计的物品用于设备，例如跳绳、晒衣绳、宠物牵引带或其他松垂的物品。
- 请勿允许儿童穿戴围巾、穿袖系绳手套、披肩、披风或颈部有抽绳的衣服。
- 请勿允许儿童在玩设备时戴头盔。
- 请勿允许儿童在脖子上佩戴项链、挂水壶、钱包和望远镜。

游乐场铺面材料消费者信息表

最小压缩松填铺面深度

英寸	松填材料 保护坠落高度	(英尺)
9	橡胶屑/回收橡胶	10
9	沙土	4
9	细砾	5
9	盖土木板 (非 CCA)	7
9	木屑	10

表 X3.1

此资料摘录自美国消费品安全委员会出版的“游乐场铺面 - 技术信息指南” (Playground Surfacing - Technical Information Guide)。如需获取本刊物的副本，可寄送明信片至：美国消费产品安全委员会公共事务办公室，Washington, D. C., 20207 或拨打免费热线电话：1-800-638-2772。

- X3.1** 据美国消费品安全委员会估计，美国医院急诊室每年会接收约 100,000 名与游乐场设备相关的因摔落在地面而导致受伤的人员。在所有游乐场受伤事件中，此类危险造成的伤害往往是最严重的，并有可能致命，尤其是当受伤部位在头部时。游乐场设备下方和周围的地面是导致潜在坠落伤害的主要因素。很明显，相比坚硬的表面，坠落到减震表面不太可能造成严重伤害。
- X3.2** 表 X3.1 列出了最大高度，儿童从超过此高度的地方坠落将会导致头部严重受伤，进而危及生命，即使下面是五种不同的松填铺面材料，且其安装厚度达到 9 英寸。然而应该注意的是，无论使用哪种铺面材料，都不可完全避免造成坠落伤。
- X3.3** 根据建议，从固定式设备周围往外 6.5 平方英尺的范围内都应该铺上减震材料，这些设备包括攀岩墙、滑道等。然而由于儿童可能会故意从晃动的秋千上跳下来，因此秋千前后的减震材料的长度应为轴心点高度的 2 倍以上（从支承结构的枢轴正下方的点量起）。
- X3.4** 此资料旨在帮助比较各种材料的相对减震性能，而不着重推荐使用哪种材料。每种材料只有在正确维护的情况下才能起到有效减震作用。因此需要定期检查和补充材料，维持设备所需的正确深度。材料的选择取决于游乐场设备的类型和高度，以及当地的材料可用性及其成本。

请保存此表以供日后参考

游乐场设备不得置于混凝土、沥青等坚硬的表面上，草坪表面虽然可接受，但如果人流量大则会很快变成坚硬的硬泥地。游乐场设备底下和周围可以安装盖土碎树皮、木屑、细沙或细砾等减震表面，但必须达到足够的深度并得到适当的维护。

正确维护说明

Step2 产品的设计制造采用优质材料。与所有户外产品一样，该产品能够适应各种天气，经久耐用。为了更好地使用产品、最大程度地保证产品安全，延长使用寿命，请务必对产品进行适当的维护。

我们使用的木材

Step2 100% 采用雪松木（杉木）。我们一直谨慎地挑选最优质的木材，但由于木材属自然产品，易受风化影响，由此可能会对您所选产品的外观带来改变。

导致风化的原因有哪些？这会对产品强度造成影响吗？

引起风化的主要原因之一是水（湿度）；木材表面的含水量与木材内部的含水量是不同的。随着气候变化，水汽反复进出木材，产生张力，导致木材龟裂和/或翘曲。以下几种情况是由风化导致的。这些变化不会对产品强度造成影响：

1. 龟裂是木材表面顺着木纹出现的裂痕。4 英寸 x 4 英寸的木桩比 1 英寸 x 4 英寸的木板更容易出现龟裂，因为相对于较薄的木材，较厚木材中表面和内部水分含量的变化更大。

2. 翘曲是由于木板原平面上出现的某种变形（扭曲、翘弯）引起的，通常在短期内经历潮湿和干燥的木板更容易出现这种问题。

3. 褪色是木材颜色的自然变化，随着时间的推移，木材会因暴露在阳光下而变灰。

如何减少木质产品的风化现象？

1. 该木质产品涂有水性漆涂料。阳光会对涂层造成破坏，因此我们建议每年涂抹一层防水剂或水性漆（有关推荐产品，请参阅当地的涂料供应商）。请务必为该产品的木质结构涂抹密封剂等保护材料。**请注意，您需满足此要求，以便获得保修服务。**大部分风化情况属自然现象，不会影响产品安全。如果您认为某产品部件出现严重的风化问题，请联系我们的客户服务部门以便获得进一步的帮助。

2. 按月检查木质部件。在干燥的季节，木材纹理有时会凸起，导致木刺出现。为保障使用安全，可能需要对木材进行适度地打磨。在打磨后使用保护材料（密封剂）保护该产品，有助于预防严重的龟裂/开裂或其他气候性损害的出现。

由于产品和五金件可能因木材膨胀和收缩而松动，所以在频繁开始使用之前及使用季期间对产品进行检查，加固所有五金件是非常重要的。

在每个使用季之前

- 紧固所有五金件。
- 检查螺栓、管道、边缘和拐角处的所有保护罩。若出现松动、破裂或遗失情况请及时更换。
- 检查所有木质部件是否有变质或木刺。若有，磨掉木刺，更换变质的木质部件。
- 重新安装所有塑料部件，例如秋千座椅或在寒冷季节所拆除的任何其他物品。
- 把开起保护表面左右的松散填充材料并检查深度，以防止土壤压实并保持适当的深度。如有需要进行更换。

使用季期间以下检查需要每月进行两次

- 紧固所有五金件。
- 检查螺栓、管道、边缘和拐角处的所有保护罩。若出现松动、破裂或遗失情况请及时更换。
- 把开起保护表面左右的松散填充材料并检查深度，以防止土壤压实并保持适当的深度。如有需要进行更换。

每个使用季结束前或气温下降到华氏 32 度（摄氏 0 度）时

- 取下塑料秋千座椅或其他由制造商列出的物品，放置在屋内，不要使用。
- 把开起保护表面左右的松散填充材料并检查深度，以防止土壤压实并保持适当的深度。如有需要进行更换。

额外维护

- 由于木材有膨胀和收缩的情况，需每两周检查一和五金件。在每个季节开始时按照此程序进行维护尤为重要。
- 按月检查木质部件。在干燥的季节，木材纹理有时会凸起，导致木刺出现。为保障使用安全，可能需要对木材进行适度地打磨。定期为玩具套装涂刷涂料，以防出现严重的龟裂/开裂或其他气候性损害。
- 该玩具套装已涂有水性透明涂料。这仅是用于上色目的。您需根据您所在地的气候情况，每年一次或两次对玩具套装木质结构涂抹保护性材料（密封剂）。使用密封剂之前，请轻轻打磨玩具套装上所有“不光滑”的部分。请注意，您需满足此要求，以便获得保修服务。
- 在平坦的位置组装和放置玩具套装非常重要。儿童在该套装中玩耍过程中，玩具套装会慢慢地陷入到土壤中，所以一定要保证玩具装置平稳地放置。确保每年或每次使用季期间开始时，该套装都是水平放置的。

处理指南

当不再需要使用 Playcenter 时，应该将其拆卸，在丢弃时需合理处置，杜绝不合理的危险出现。

第三方组装

客户可以自行决定是否选择第三方人员或服务来组装本产品。Step2 对客户由任何组装服务所产生的任何费用不承担任何责任或义务。欲了解有关损坏和缺失部件更换的更多信息，请参阅我们的保修信息。Step2 不会向客户退还所购买零件的费用。

有限保修

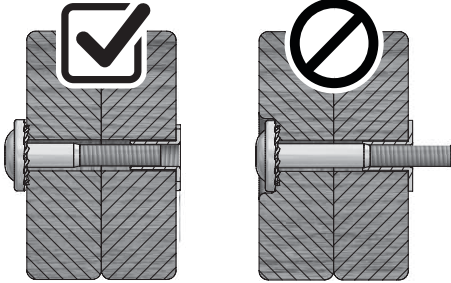
产品保修可在以下网址找到：
www.Step2.com www.Step2.custhelp.com/app/answers/detail/a_id/176

产品所有者有责任维护警告标签清晰易辨

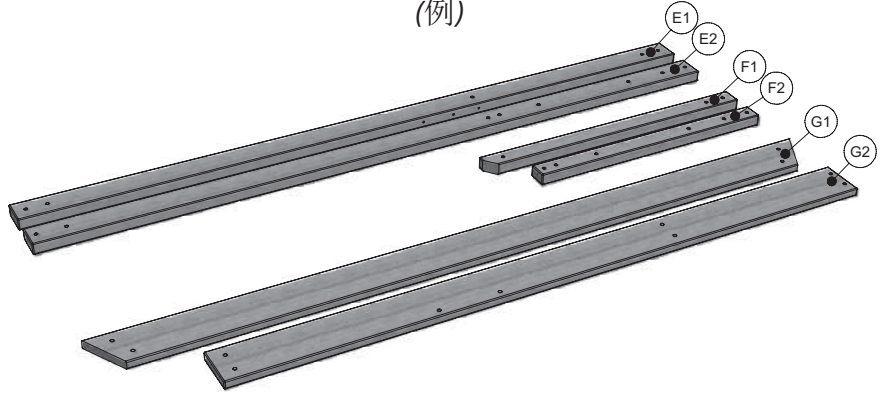
组装提示

突出物

风险如果螺纹暴露，请检查五金件是否正确安装。如果拧得过紧，请添加垫圈以消除突出物风险。

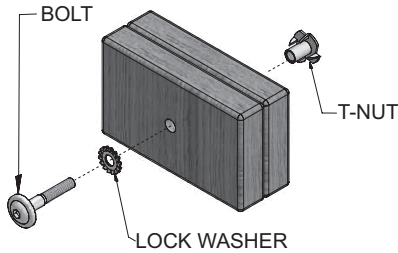


木材排序 (例)



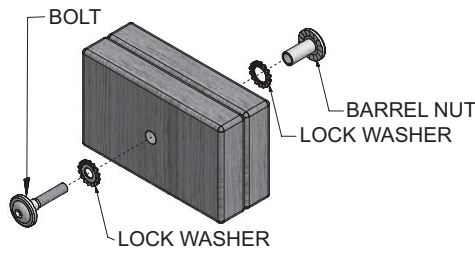
将木材从包装盒取出时，我们建议您在安装前按照部件码将木材进行排序。这将有助于您快速安装配件并轻松识别可能丢失或损坏的部件。

正确安装五金件



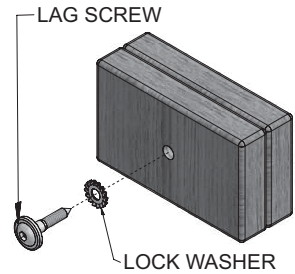
螺栓和四角螺母安装

将四角钉拧入给出的钉孔。将螺栓插入锁紧垫圈并插入与四角螺母相对的螺栓孔中。顺时针旋转以便将其锁定到四角螺母上。暂时不要完全拧紧配件。



螺栓和圆柱螺母安装

将圆柱螺母插入锁紧垫圈然后将其穿过所提供的孔中。将螺栓插入第二个锁紧垫圈并将其插入与圆柱螺母相对的螺栓孔中。顺时针旋转以便将其锁定到圆柱螺母上。暂时不要完全拧紧配件。



拉力螺钉安装

通常在配件上会有一个预先钻好的导向孔，需要使用拉力螺钉。若无导向孔，可将两块板并在一起，然后使用工厂钻孔作为导向，在相邻的木板上钻出另一个导向孔。这样可以防止木材开裂。安装拉力螺钉时只需要一个锁紧垫圈。

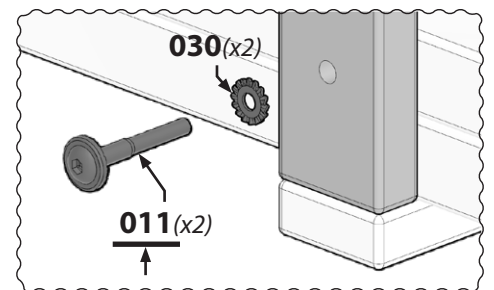
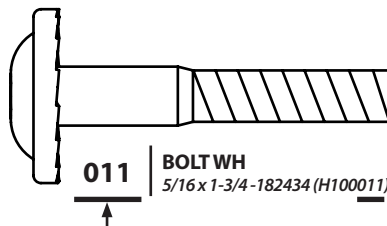
五金件排序

为了帮助您更好地组装，我们建议您使用印在袋子上的七位数字或五金件类型（即螺栓、螺母等）对五金件包进行分类。将五金件整理好能够帮助您更轻松地进行安装。



五金件

识别五金件包装上印有七位数部件编码。安装期间您只需在每个步骤参考部件编码的后三位数。这将帮助您更轻松地找到正确的五金件。



مكرسة لاستخدام الأطفال الذين تتراوح أعمارهم بين 3 - 8 سنوات. قمر بمراعاة الملاحظات والتحذيرات التالية لتقليل إمكانية التعرض لإصابة خطيرة أو مميتة. احتفظ بهذا الدليل للرجوع إليه في المستقبل.

تحذير: خطر الاختناق

الأجزاء الصغيرة. حواف حادة. يجب تجميع المنتج بمعرفة شخص بالغ

تحذير: خطر الحرق

• تأكد دائماً من حرارة المنتج قبل السماح للأطفال باللعب به.
• تذكر أن المنتج قد تكون سبباً في الإصابة بحروق إذا تركزت في أشعة الشمس المباشرة.
• انتبه دائماً للشمس وظروف الطقس، لا تفترض أن الجهاز آمن لأن درجة حرارة الهواء غير مرتفعة للغاية.

تحذير: خطر الشنق

قد تحدث إصابة خطيرة أو وفاة.

• لا تقم بما يلي: تركيب جبال القفز، أو حبال الغسيل، أو زمامات الحيوانات الأليفة أو غيرها من الأجزاء السائبة المتعددة غير المصممة تحديداً للاستخدام مع هذا الجهاز.
• لا تقم بما يلي: السماح للأطفال بارتداء الأوشحة أو القفازات ذات الأربطة من خلال الأكمال، أو ملابس مثل القبعات أو العباءات أو أربطة التضييق حول العنق.
• لا تقم بما يلي: السماح للأطفال بارتداء خوذات أثناء اللعب على الجهاز.
• لا تقم بما يلي: السماح للأطفال بارتداء أي شيء حول رقابهم مثل القلادات، أو الرموزيات، أو الحقايب، أو النظارات المكبرة.

تحذير: يمكن أن تحدث إصابة خطيرة بالرأس أو حدوث وفاة

يمكن أن يؤدي السقوط على سطح صلب في حدوث إصابة خطيرة أو الوفاة. لا تركيب جهاز الملعب على أسطح صلبة، مثل الخرسانة الأسفلتية، أو التربة المتكتلة بفعل الضغط، أو الأرض العشبية، أو السجاد أو أي سطح صلب آخر. يتعين على الكبار مراقبة الأطفال.

معلومات السلامة:

1. احرص على خلو موقع التركيب مكن أي عوائق لتقليل إمكانية التعرض لإصابة. حافظ على وجود مسافة 6.5 أقدام (مترين) على الأقل بين الجهاز والهياكل أو العوائق (أمثلة: سياج، أو مبانٍ، أو جراجات، أو منازل، أو فروع شجر متدلية لأسفل، أو جذوع/جذور أشجار، أو صخور كبيرة، أو طوب، أو خرسانة، أو حبال غسيل، أو أسلاك كهربية).
2. اختر موقعاً مستويًا للجهاز لتقليل من احتمال انقلاب مجموعة اللعب، أو انجراف المواد السائبة المستخدمة في فرش الموقع مع المطر الغزير.
3. ارتفاع الانزلاق: 54.5 بوصة (138.43 سنتيمتر). لا تركيب المنتج أو تضع المواد المستخدمة في فرش الموقع فوق خرسانة، أو أسفلت، أو تربة متكتلة بفعل الضغط، أو أرض عشبية، أو سجاد، أو أي سطح صلب آخر. فالسقوط على سطح صلب يمكن أن يؤدي إلى إصابة خطيرة. يحتوي دليل التعليمات هذا على إرشادات بخصوص المواد المستخدمة في فرش الملعب لتوضيح سبل الوقاية المقبولة من السقوط (انظر الجدول 1.3X). للمحافظة على وجود مستوى ملائم من المواد المستخدمة في فرش الملعب، استخدم وسيلة تطويق، مثل الحفر بحاذة الحدود الخارجية للملعب و/أو تبطينه بحاشية من النباتات لإضفاء منظر طبيعي جميل. يتطلب تركيب البلاط المطاط أو الأسطح المصنوبة في موضعها (بخلاف مواد الحشو السائبة) بوجه عام شخصاً محترفاً، وهي ليست من المهام التي يمكنك أداءها بنفسك.
4. ضع المنصات المعدنية والزلاقات المكشوفة (معدنية أو بلاستيكية أو خلاف ذلك) بعيداً عن أشعة الشمس المباشرة لتقليل من احتمال الإصابة بحروق خطيرة. الزلاقة المواجهة للشمال سوف تستقبل أقل قدر من أشعة الشمس المباشرة.
5. قمر بتوفير حيز كافي حتى يمكن للأطفال استخدام الجهاز بأمان (مثال: بالنسبة للهياكل التي لها استخدامات متعددة، ينبغي ألا يكون موضع هبوط الطفل من على الزلاقة أمام أي أرجوحة).
6. أفضل الأنشطة الصاخبة والهادئة بعضها عن بعض (أمثلة: ضع

7. فاحص جميع الوصلات للتأكد من أنها محكمة. لا تسمح للأطفال باللعب على المنتج حتى يتم تركيبه بالكامل.
8. لتقليل إلى أدنى حدٍ من المخاطر التي تشكلها المخلفات الناجمة عن التقب، تم تصميم المسامير اللولبية بحيث تخترق البلاستيك وتشكل السن اللولبي الخاص بها. احرص على ألا تقترط في ربط المسامير اللولبية وإلا فلن تمسك الأجزاء ببعضها بشكل ملائم.

تعليمات التشغيل:

1. يلزم إشراف البالغين على الدوام.
2. الحد المسموح به: 4 أقصى وزن للمستخدم: 75 رطلاً (34 كجم) لكل طفل.
3. تأكد من ارتداء الأطفال لملايس ملائمة، بما في ذلك أحذية ذات مقاس مناسب لكي تحمي أقدامهم بشكل كامل.
4. وجه الأطفال للقيام بما يلي:
 - بها، وذلك قبل اللعب على الجهاز. من الأمثلة على ذلك: العباءات (الكابات)، والأوشحة، والملابس الفضفاضة، وخوذات الدراجات وغيرها من الخوذات الرياضية.
 - ألا يقوموا بتركيب أية أشياء في جهاز الملعب تكون غير مضممة تحديداً للاستخدام مع الجهاز، أمثلة: - حبال القفز، وحبال الغسيل، وزمامات الحيوانات الأليفة، والكابلات، والسلاسل لأنها قد تتسبب في خطر الشنق.
5. لا تدع الأطفال يفعلون ما يلي:
 - استخدام الجهاز بطريقة مغايرة للطريقة المحددة،
 - التسلق على الجهاز إذا كان مغطى بالثلج أو الندى.
 - استخدام المنتج إذا كانت درجة الحرارة أقل من 23 درجة فهرنهايت (صفر مئوية). قد تصبح المواد البلاستيكية هشّة ومشققة.
 - 6. احتفظ بالجهاز لا تستخدمه إذا انخفضت درجة الحرارة عن 32 درجة فهرنهايت (صفر مئوية).
 - 7. أشعل النار بشكل دوري لمنع الضغط والحفاظ على الأعماق المناسبة.
 - 8. الملك مسئولون عن أن تظل الملصقات التحذيرية قابلة للقراءة وعن نزع الأطفال للمصلق التحذيري من على المنتج.

إرشادات التخلص من المنتج:

- قمر بفك الجهاز بما لا يدع مجالاً لوجود أي مخاطر الرجاء إعادة التدوير إن أمكن. يجب أن تتوافق طريقة التخلص من المنتج مع كل القوانين الحكومية.
- افحص المنتج قبل كل استخدام. اربط الوصلات بإحكام واستبدل المكونات التالفة أو البالية. اتصل بشركة STEP2 لاستبدال الأجزاء.

دليل معلومات المستهلك للمواد المستخدمة في فرش الملاعب

الحد الأدنى لأعماق مواد فرش الأسطح السائبة المضغوطة

بوصات من	مواد الفرش السائبة	تحمي حتى ارتفاع الانزلاق (قدم)
9	مطاط مقطوع لأجزاء صغيرة/معاد تدويره	10
9	رمل	4
9	حصى صغير	5
9	نشارة خشب (لا تحتوي على زرينخ النحاس الملون)	7
9	رقائق الخشب	10

الجدول 3.1X

هذه المعلومات مأخوذة من منشورات اللجنة الأمريكية لسلامة المنتجات الاستهلاكية (CPSC) "المواد المستخدمة في فرش الملاعب - دليل المعلومات الفنية". يمكن الحصول على نسخة من هذا المنشور بإرسال رسالة بريدية إلى: Office of Public Affairs Consumer Product Safety Commission, U.S.Washington, D.C., 20238 أو اتصل بالخط الساخن المجاني: 1-800-638-2772.

أرجوحة وهي تتحرك، يجب فرش المادة الممتصة للصدمات أمام وخلف الأرجوحة لمسافة تعادل ضعفي ارتفاع النقطة المحورية التي يتم قياسها من النقطة الواقعة أسفل المحور تمامًا على الهيكل الداعم.

- 3.4X هذه المعلومات مخصصة لمساعدتك على مقارنة خصائص امتصاص الصدمات النسبية للمواد المختلفة. لا يوصى باستخدام مادة معينة دون الأخرى. ومع ذلك، تلعب المادة دوراً فعالاً فقط عندما يتم المحافظة عليها بشكل سليم. يجب فحص المواد بشكل دوري وإعادة ملئها للاحتفاظ عليها بالحقن الصحيح اللازم لجهازك. يتم اختيار المادة تبعاً لنوع جهاز الملعب وارتفاعه، وكذلك تبعاً لمدى توفر المادة في منطقتك، وتكلفتها.

الرجاء الاحتفاظ بهذا الدليل للرجوع إليه في المستقبل

لحاء الأشجار المفرومة، وشرائخ الخشب، والرمل الناعمة، والحصى الصغير أسطح ممتصة للصدمات مقبولة عند فرشها على أعماق كافية أسفل أجهزة الملاعب وحولها.

- 3.2X الجدول 3.1X يوضح الحد الأقصى للارتفاع الذي لا يمكن للطفل التعرض معه إلى إصابة في الرأس تهدد حياته عند السقوط على خمس مواد مختلفة من المواد السائبة المستخدمة في فرش الملاعب في حالة فرش هذه المواد على عمق 9 بوصات. ومع ذلك، يجب التنبيه إلى أنه لا يمكن منع كل الإصابات الناجمة عن السقوط بغض النظر عن المواد المستخدمة في فرش الملاعب.

- 3.3X يوصى بأن يتم فرش المواد الممتصة للصدمات لمسافة 6.5 قدم على الأقل من الحدود الخارجية للجهاز الثابت مثل ألعاب التسلق والزلاقات. ومع ذلك، ونظراً لأن الأطفال قد يعتمدون القفز من

• 3.1X تبعاً لتقديرات اللجنة الأمريكية لسلامة المنتجات الاستهلاكية هناك ما يقرب من 100,000 إصابة سنوية مرتبطة بأجهزة الملاعب تنجم عن السقوط على الأرض ويتم معالجتها بغرف الحالات الطارئة بالمستشفيات الأمريكية. تأتي الإصابات الناجمة عن حالات السقوط الخطرة تلك ضمن إصابات الملاعب الأكثر خطورة. وفي بعض الأحيان تكون هذه الإصابات مميتة خاصة عندما تكون الإصابة في الرأس. يمكن أن يلعب السطح الموجود أسفل أجهزة الملاعب وحولها دوراً رئيسياً في حالات السقوط التي تتسبب في حدوث إصابات. ولا يوجد شك في أن نسبة الإصابات الشديدة التي تحدث نتيجة للسقوط على سطح ممتص للصدمات أقل كثيراً من تلك التي تحدث عند السقوط على سطح صلب.

يجب ألا يتم مطلقاً وضع أجهزة الملاعب على أسطح صلبة مثل الأسمنت، والأسفلت وبينما يعتبر العشب سطحاً مقبولاً إلا أنه يتحول سريعاً إلى تربة متكتلة صلبة في المناطق التي تشهد معدل حركة عالي. تعتبر نشارة

إرشادات الصيانة السليمة

هيكل 2pets مصمم ومصنوع من مواد عالية الجودة. وكما هو الحال مع كل المنتجات التي توضع في الهواء الطلق سيتأثر بالتقلبات الجوية ويتآكل. ولكي تستمتع بالهيكل الخاص بك وتضمن سلامته وبقائه لأقصى درجة ممكنة من المهم أن تقوم بصيانته بشكل صحيح.

من المهم فحص وإحكام ربط كل الأجزاء المعدنية في البداية وأثناء موسم اللعب فقد تتعرض للفك نتيجة لتمدد الخشب وانكماشه.

في بداية كل موسم لعب

- اربط كل الأجزاء المعدنية بإحكام.
- افحص كل الأغطية الواقية الموجودة على المسامير، والأثايب، والحواف، والأجناب. استبدلها إذا كانت مفكوكة، أو مشقوقة، أو غير موجودة.
- افحص كل القطع الخشبية للتأكد من عدم تعرضها للتلف والتشطي. قم بسنفرة الشظايا واستبدل القطع الخشبية التالفة.
- أعد تركيب أي قطع بلاستيكية، مثل مقاعد الأرجوحة أو أي قطع أخرى تم خلعاها في الموسم البارد.
- قم بتسوية والتحقق من عمق المواد السائبة المستخدمة في فرش الملاعب للحيلولة دون تعرضها للدمك والمحافظة على العمق المناسب. استبدلها حسب الحاجة.

مرتان في الشهر خلال موسم اللعب

- اربط كل الأجزاء المعدنية بإحكام.
- افحص كل الأغطية الواقية الموجودة على المسامير، والأثايب، والحواف، والأجناب. استبدلها إذا كانت مفكوكة، أو مشقوقة، أو غير موجودة.
- قم بتسوية والتحقق من عمق المواد السائبة المستخدمة في فرش الملاعب للحيلولة دون تعرضها للدمك والمحافظة على العمق المناسب. استبدلها حسب الحاجة.

في نهاية كل موسم لعب أو حينما تقل درجة الحرارة عن ٢٣ درجة فهرنهايت

- اخلع مقاعد الأرجوحة البلاستيكية والقطع الأخرى حسب إرشادات المصنوع واحتفظها بالداخل أو لا تستخدمها.
- قم بتسوية والتحقق من عمق المواد السائبة المستخدمة في فرش الملاعب للحيلولة دون تعرضها للدمك والمحافظة على العمق المناسب. استبدلها حسب الحاجة.

الصيانة الإضافية

- افحص دعامة الأرجوحة والأجزاء المعدنية كل أسبوعين لمعرفة ما قد تتعرض له نتيجة لتمدد الخشب وانكماشه. اتبع هذا الإجراء على جانب كبير من الأهمية في بداية كل موسم.
- افحص القطع الخشبية شهرياً في بعض الأوقات تبرز تجزيعات الخشب في المواسم الجافة مما يؤدي إلى ظهور الشظايا. قد يكون من الضروري سنفرة المنتج بشكل خفيف للحفاظ على البيئة آمنة. ستساعد معالجة مجموعة اللعب لديك بصبغة على منع ظهور التشققات/الانشطارات الشديدة والتلفيات الأخرى بفعل الطقس.
- تم وضع صبغة شفافة مدعومة بالماء على مجموعة اللعب لديك. يتم القيام بذلك من أجل اللون فقط. عليك أن تضع أحد أنواع الحماية (عازل) على خشب الوحدة لديك مرة أو مرتين في السنة بناء على الأحوال الجوية. قبل وضع العازل، قم بسنفرة أي أجزاء "خشنة" في مجموعة اللعب لديك. يرجى ملاحظة أن هذا أحد متطلبات الضمان الذي تحصل عليه.
- تجميع وصيانة مجموعة اللعب في موقع مستو مهم للغاية. مع لعب أطفالك، ستعزز مجموعة اللعب لديك ببطء في التربة، ومن المهم للغاية أن توضع بشكل مستو. تأكد من أن مجموعة اللعب لديك مستوية وثابتة مرة في السنة أو في بداية كل موسم لعب.

إرشادات التخلص من المنتج:

في حالة عدم الرغبة في اللعب بـ retneycalP، يجب فكها والتخلص منها بطريقة تضمن عدم وجود مخاطر غير معقولة حينما يتم التخلص من الوحدة.

التركيب بالاستعانة بطرف خارجي

قد يلجأ المستهلك، بناء على تقديره وحده، بالاستعانة بشخص أو شركة خارجية لتجميع هذا المنتج. لا تتحمل Step2 أي مسؤولية عن أي نفقات يتكبدها المستهلك نظير أي خدمات خاصة بتجميع المنتج». يرجى الرجوع للضمان الخاص بنا لمزيد من المعلومات حول التغطية الخاصة ب استبدال القطع التالفة والمفقودة. لن تدفع Step2 للمستهلك ثمن القطع التي يتم شراؤها.

ضمان محدود

يمكن العثور على ضمان المنتج عبر الإنترنت على:

www.Step2.com www.Step2.custhelp.com/app/answers/detail/a_id/176

نبذة عن الخشب الذي نستخدمه

تستخدم 2pets خشب الأرز بنسبة ١٠٠٪ (الطقسوس البرقوقي السباني). على الرغم من حرصنا الكبير على اختيار أجود أنواع الخشب المتاحة، يظل الخشب منتجاً طبيعياً وعرضة للتأثر بالتقلبات الجوية مما يمكن أن يغير من شكل المنتج لديك.

ما السبب في التأثر بالتقلبات الجوية؟ هل يؤثر ذلك على قوة المنتج لذي؟

أحد الأسباب الرئيسية للتأثر بالتقلبات الجوية هو ما تركه المياه (الرطوبة) من آثار، تختلف كمية الرطوبة على سطح الخشب عما يحتويه الجزء الداخلي من الخشب. وحينما يتغير الطقس، تنتقل الرطوبة إلى داخل الخشب أو خارجه، ويتسبب ذلك في حدوث شد مما قد ينجم عنه تشققات و/أو انفصال. يمكنك أن تتوقع ما يلي نتيجة للتأثر بالتقلبات الجوية. لن تؤثر هذه التغيرات على قوة المنتج:

1. التشقق هو شقوق السطح التي تظهر بالخشب بطول التجزيعات. سيتعرض عمود مقياس (4 بوصة x 4 بوصة) لشقوق أكثر مما سيتعرض له لوح مقياس (1 بوصة x 4 بوصة) لأن ما يحتوي عليه سطح الخشب والجزء الداخلي منه سيختلف عما يحتوي عليه الخشب الأكثر نحافة.

2. ينتج الانفصال نتيجة لأي اعوجاج (التواء، انحناء) عن المستوى الأصلي للوح ويحدث عادة نتيجة للبلل والجفاف السريع للخشب.

3. يحدث البهتان كتغير طبيعي في لون الخشب عند تعرضه لضوء الشمس وسيغير لونه للرمادي بمرور الوقت.

كيف يمكنني تقليل تأثير منتج مصنوع من الخشب بالتقلبات الجوية؟

1. المنتج المصنوع من الخشب لديك مطلي بصبغة مائية. سيحلل ضوء الشمس طبقة الطلاء، لذا نوصيك بوضع مادة أو صبغة تحول دون اختراق الماء للخشب سونياً (استشر مورد الصبغات والطلاء المحلي لمعرفة المنتج الموصى به). عليك أن تستخدم أحد وسائل الحماية (عازل) لحماية خشب المنتج لديك. **يرجى ملاحظة أن هذا أحد متطلبات الضمان الذي تحصل عليه.** تعد مظاهر التأثر بالتقلبات الجوية في أغلب الأحوال نتيجة طبيعية للبيئة ولا تؤثر على السلامة. ومع ذلك إذا كنت قلقاً بشأن قطعة تعرضت لمشكلة كبيرة بفعل التقلبات الجوية فيرجى الاتصال بقسم خدمة العملاء لدينا للحصول على مزيد من المساعدة.

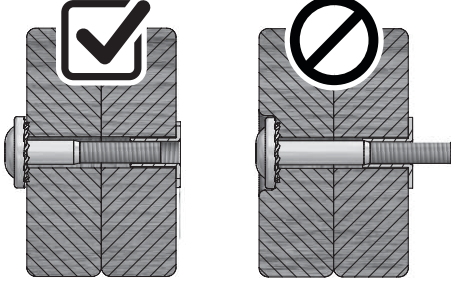
2. افحص القطع الخشبية شهرياً. في بعض الأوقات تبرز تجزيعات الخشب في المواسم الجافة مما يؤدي إلى ظهور الشظايا. قد يكون من الضروري سنفرة المنتج بشكل خفيف للحفاظ على البيئة آمنة. ستساعد معالجة المنتج لديك بأحد وسائل الحماية (عازل) بعد السنفرة في منع ظهور التشققات/الانشطارات الشديدة والتلفيات الأخرى بفعل الطقس.

الملاك مسؤولون عن الحفاظ على ملصقات التحذير بحيث تظل مقروءة

تلميحات التجميع

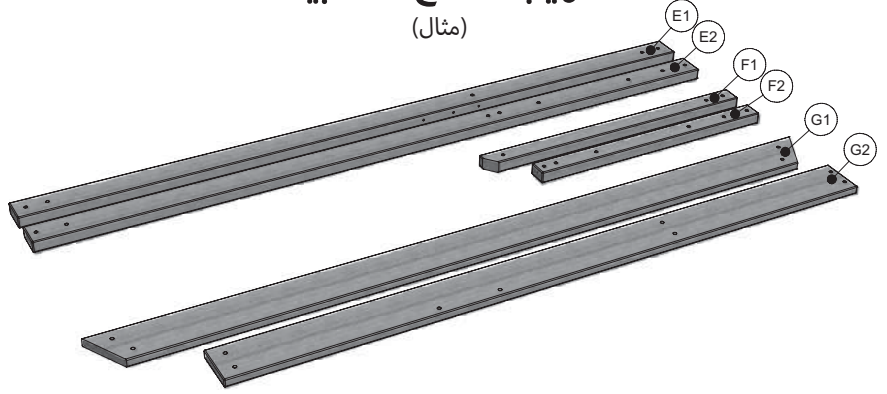
خطر البروز

إذا كانت المسننات مكشوفة، فتتحقق من تركيب الأجزاء المعدنية الصحيحة. في حالة الربط بإحكام، فقم بإضافة حلقات لتقليل البروز.



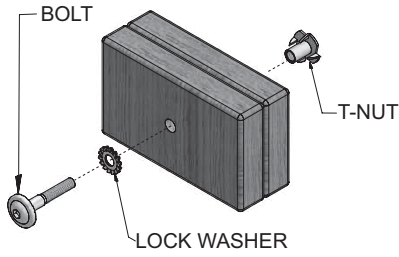
ترتيب القطع الخشبية

(مثال)



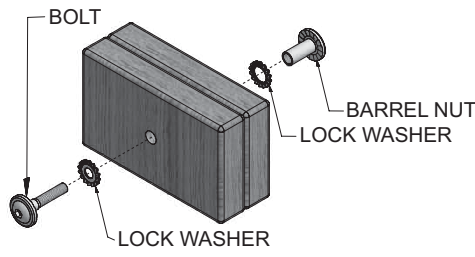
عند إخراج القطع الخشبية من الصناديق نوصيك بترتيبها حسب رقم القطعة قبل أن تبدأ في تجميعها. سيسمح لك ذلك بتجميعها بسرعة وتحديد أي قطع قد تكون مفقودة أو تالفة.

تركيب الأجزاء المعدنية بشكل صحيح



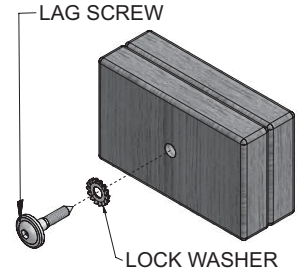
تركيب المسامير والصامولة T

ضع الصامولة T في الفتحة المخصصة لها. مرر المسامير عبر حلقة القفل وأدخله في الفتحة المخصصة له المقابلة للصامولة T. قم بتدويره في اتجاه عقارب الساعة لربطه بالصامولة T. لا تحكمر ربطه إلا إذا كانت هناك إرشادات بذلك.



تركيب المسامير والصامولة الأسطوانية

أدخل الصامولة الأسطوانية عبر حلقة القفل واضغط الزوج في الفتحة المخصصة لهما. مرر المسامير عبر حلقة القفل وأدخله في الفتحة المخصصة له المقابلة للصامولة الأسطوانية. قم بتدويره في اتجاه عقارب الساعة لربطه بالصامولة الأسطوانية. لا تحكمر ربطه إلا إذا كانت هناك إرشادات بذلك.



تركيب المسامير الكبير المخصص لربط الأخشاب

عادة ما توجد فتحة دليلية مثقوبة مسبقاً في التركيبات تحتاج إلى مسامير كبير مخصص لربط الأخشاب. إذا لم تكن هناك فتحة دليلية، فقم بمحاذاة اللوحين اللذين يجب ضمهما واستخدم الفتحة المثقوبة في المصنع كدليل لتقب فتحة دليلية أخرى في اللوح الملاصق. سيحول ذلك دون انشطار الخشب. مطلوب فقط حلقة قفل للقيام بالخطوات التي تُستخدم فيها المسامير الكبيرة المخصصة لربط الأخشاب.

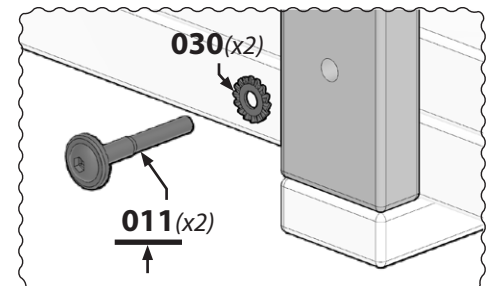
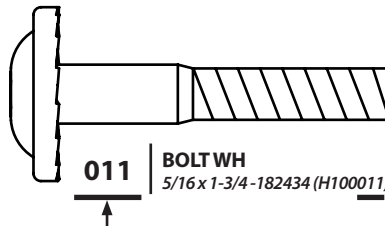
ترتيب الأجزاء المعدنية

للمساعدة في تجميعها نوصيك بترتيب أكياس الأجزاء المعدنية لديك باستخدام الرقم المكون من سبع حروف وأرقام المطبوع على الأكياس أو حسب نوع الأجزاء المعدنية (أي مسامير، صواميل إلخ) ترتيب الأجزاء المعدنية لديك سيجعل التجميع أسهل.



تحديد الأجزاء المعدنية

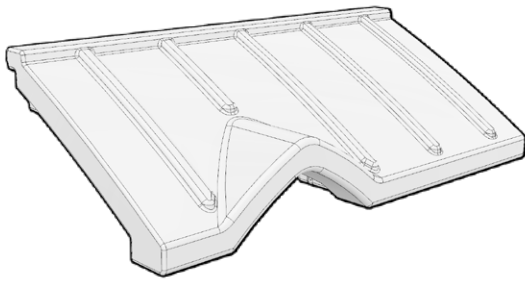
هناك رقم خاص بالجزء مكون من سبع حروف وأرقام المطبوع على أكياس الأجزاء المعدنية. أثناء التجميع عليك فقط الرجوع إلى آخر ثلاثة أرقام في رقم الجزء كما هو مشار إليه في كل خطوة. سيسهل ذلك من العثور على الجزء المعدني الصحيح.



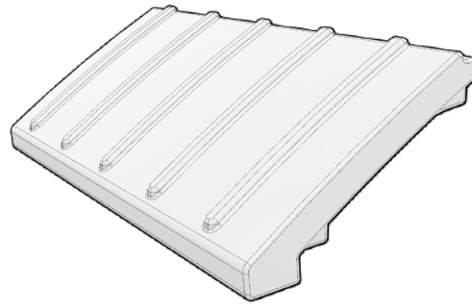
BOX 1

(NOT TO SCALE) / (PAS À L'ÉCHELLE) / (NO ESTÁ A ESCALA) / (NON IN SCALA) / (NIET OP SCHAAL) / (NÃO À ESCALA)

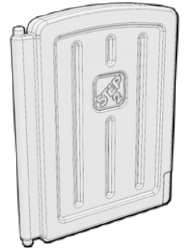
(NIE PODANO WEDŁUG SKALI) / (NICHT MASSSTABSGETREU) / (非等比例) / (غير مرسومة بمقياس رسم)



A FRONT ROOF
134316



B BACK ROOF
134317

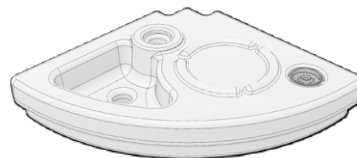


C DOOR
134321

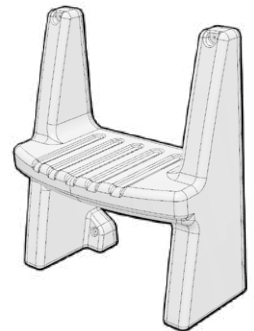
BOX 2



D SLIDE
134320

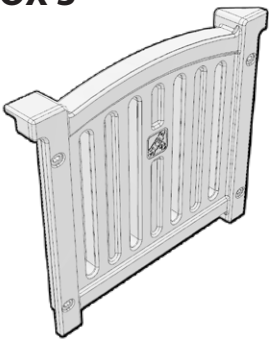


G SINK
134335

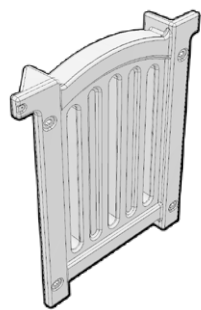


H STEP
134336

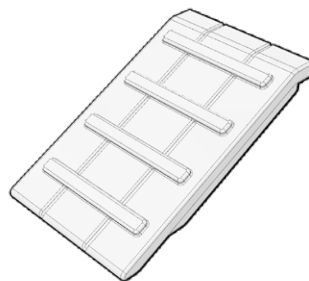
BOX 3



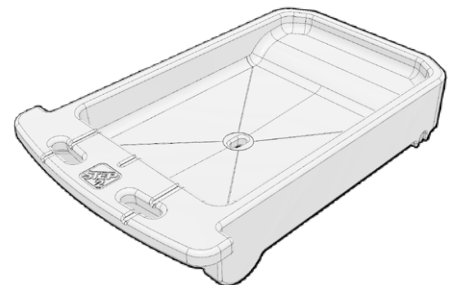
K SIDE RAILING
134318



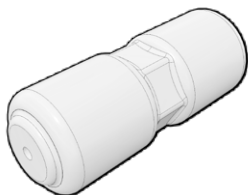
L BACK RAILING
134319



R RAMP
134322



S STORAGE BOX
134337



T_{x2} STORAGE BOX ROLLER
134338



U FAUCET
161965

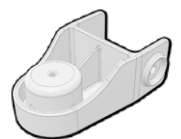


V KNOB
163698

BOX 5

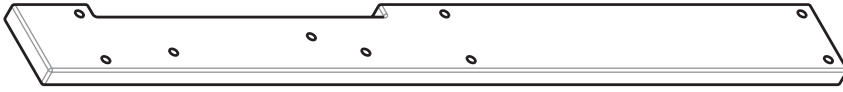


W_{x2} HAND GRIP
182450 (A100043)



X_{x2} HINGE
163889

BOX 4-5 (NOT TO SCALE) / (PAS À L'ÉCHELLE) / (NO ESTÁ A ESCALA) / (NON IN SCALA) / (NIET OP SCHAAL) / (NÃO À ESCALA)
 (NIE PODANO WEDŁUG SKALI) / (NICHT MASSSTABSGETREU) / (非等比例) / (غير مرسومة بمقياس رسم)



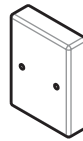
AD1 | UPPER RAILING FRONT
 (x1) 41.520" (1054,61mm) -182471 (W9406018)



AD2 | UPPER RAILING BACK
 (x1) 60.790" (1544,07mm) -182472 (W9406019)



AD3 | UPPER DECK SUPPORT
 (x2) 30.210" (767,33mm) -182473 (W9406020)



AD4 | DECK SCAB
 (x1) 4.015" (101,98mm) -182484 (W9406031)



E1 | CENTER POST
 (x1) 53.860" (1368,04mm) -182459 (W9406006)



F1 | CENTER JOIST
 (x1) 40.210" (1021,33mm) -182463 (W9406010)



F2 | SLIDE SUPPORT
 (x1) 13.620" (345,9mm) -182479 (W9406026)



J1 | RIM JOIST FRONT
 (x1) 42.107" (1069,52mm) -182460 (W9406007)



J2 | RIM JOIST BACK
 (x1) 42.107" (1069,52mm) -182461 (W9406008)



J3 | RIM JOIST SIDE
 (x2) 30.210" (767,33mm) -182462 (W9406009)



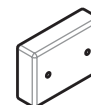
J4 | GUSSET
 (x2) 18.606" (472,59mm) -182476 (W9406023)



J5 | LONG DECK BRACE
 (x1) 27.280" (692,91mm) -182477 (W9406024)

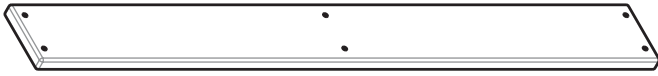


J6 | SINK BRACE
 (x2) 6.625" (168,28mm) -182481 (W9406028)



J7 | DECK SCAB
 (x1) 3.385" (85,95mm) -182485 (W9406032)

BOX 4-5 (NOT TO SCALE) / (PAS À L'ÉCHELLE) / (NO ESTÁ A ESCALA) / (NON IN SCALA) / (NIET OP SCHAAL) / (NÃO À ESCALA)
 (NIE PODANO WEDŁUG SKALI) / (NICHT MASSSTABSGETREU) / (非等比例) / (غير مرسومة بمقياس رسم)



M1 | DECK BOARD
 (x9) | 32.162" (816,91mm) -182464 (W9406011)



M2 | RAILING BOARD
 (x29) | 17.250" (438,15mm) -182466 (W9406013)



M3 | LOWER RAILING SIDE
 (x2) | 30.210" (767,33mm) -182467 (W9406014)



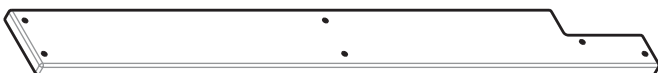
M4 | LOWER RAILING FRONT
 (x1) | 23.160" (588,26mm) -182468 (W9406015)



M5 | LOWER RAILING BACK
 (x1) | 41.480" (1053,59mm) -182469 (W9406016)



M6 | UPPER DECK BOARD
 (x7) | 20.575" (522,61mm) -182474 (W9406021)



M7 | DECK BOARD NOTCHED
 (x1) | 32.162" (816,91mm) -182486 (W9406033)



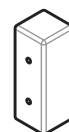
N1 | STORAGE GUIDE
 (x2) | 37.105" (942,47mm) -182478 (W9406025)



P1 | RAMP SUPPORT
 (x1) | 9.880" (250,95mm) -182480 (W9406027)



P2 | CORNER FILLER SHORT
 (x4) | 2.362" (59,99mm) -182482 (W9406029)



P3 | CORNER FILLER LONG
 (x2) | 4.015" (101,98mm) -182483 (W9406030)

BOX 4-5 (NOT TO SCALE) / (PAS À L'ÉCHELLE) / (NO ESTÁ A ESCALA) / (NON IN SCALA) / (NIET OP SCHAAL) / (NÃO À ESCALA)
 (NIE PODANO WEDŁUG SKALI) / (NICHT MASSSTABSGETREU) / (非等比例) / (غير مرسومة بمقياس رسم)



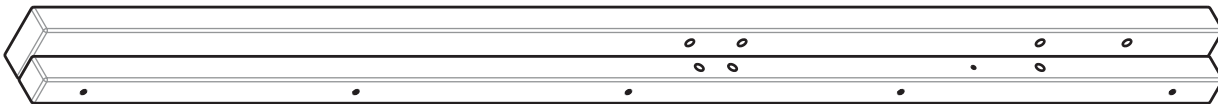
Y1 | DECK BOARD END
 (x2) | 27.180" (690,37mm) - 182465 (W9406012)



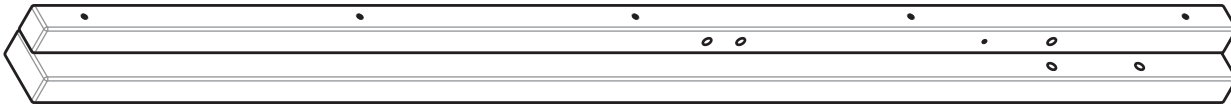
Y2 | UPPER RAILING SIDE
 (x1) | 30.210" (767,33mm) - 182470 (W9406017)



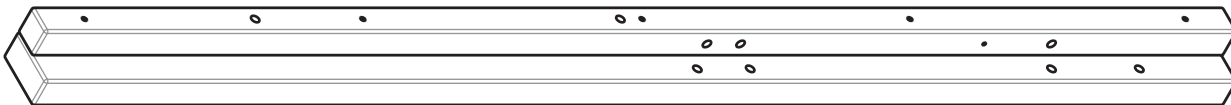
Y3 | DECK BOARD END 2
 (x1) | 15.880" (403,35mm) - 182475 (W9406022)



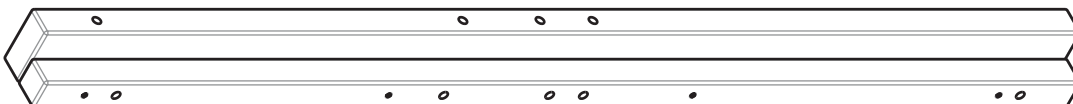
WP1 | A CORNER POST ASSEMBLY
 (x2) | 62.000" (1574,80mm) - 182487 (W9406001)



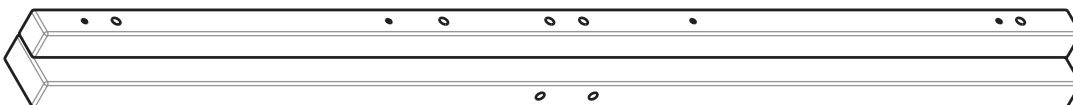
WP2 | B CORNER POST ASSEMBLY
 (x1) | 62.000" (1574,80mm) - 182488 (W9406002)



WP3 | C CORNER POST ASSEMBLY
 (x1) | 62.000" (1574,80mm) - 182489 (W9406003)



WP4 | D CORNER POST ASSEMBLY
 (x1) | 53.750" (1365,25mm) - 182490 (W9406004)



WP5 | E CORNER POST ASSEMBLY
 (x1) | 53.750" (1365,25mm) - 182491 (W9406005)

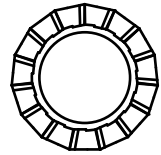
BOX 4



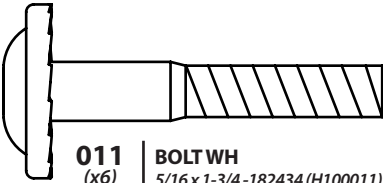
146 | LAG SCREW WH
(x16) | 1/4 x 2 - 182448 (H100146)



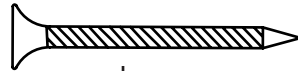
088 | SCREW PFW
(x116) | 8 x 1-1/8 - 182443 (H100088)



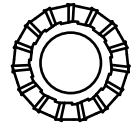
031 | WASHER LOCK EXT
(x4) | 12 x 19 - 182507 (H100031)



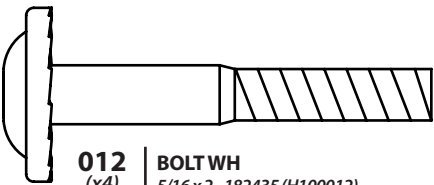
011 | BOLT WH
(x6) | 5/16 x 1-3/4 - 182434 (H100011)



086 | SCREW PFW
(x108) | 8 x 1-1/2 - 182442 (H100086)



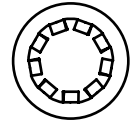
138 | WASHER LOCK EXT
(x16) | 6 x 15 - 182495 (H100138)



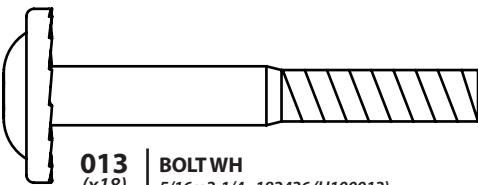
012 | BOLT WH
(x4) | 5/16 x 2 - 182435 (H100012)



091 | SCREW PFW
(x4) | 8 x 2-1/4 - 182444 (H100091)



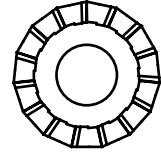
108 | WASHER LOCK INT
(x4) | 9 x 15 - 182446 (H100108)



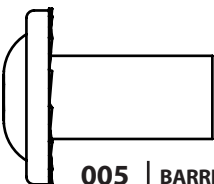
013 | BOLT WH
(x18) | 5/16 x 2-1/4 - 182436 (H100013)



070 | SCREW PWH
(x4) | 8 x 3/4 - 182440 (H100070)



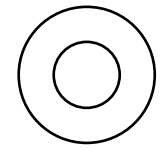
030 | WASHER LOCK EXT
(x44) | 8 x 19 - 182439 (H100030)



005 | BARREL NUT WH
(x4) | 5/16 x 7/8 - 182506 (H100005)



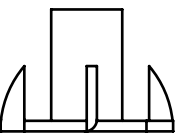
181 | SCREW PWH
(x4) | 8 x 1-5/8 - 182496 (H100181)



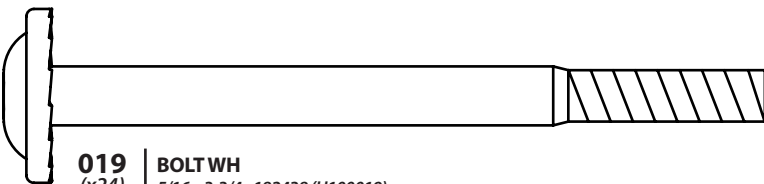
106 | WASHER FLAT
(x4) | 9 x 18 - 182445 (H100106)



109 | SCREW TAPPING
(x4) | 14 x 1-1/2 - 182447 (H100109)



074 | T-NUT
(x48) | 5/16 - 182441 (H100074)

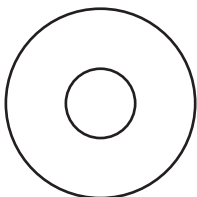


019 | BOLT WH
(x24) | 5/16 x 3-3/4 - 182438 (H100019)



177 | LAG SCREW PH
(x30) | 10 x 2-1/2 - 182449 (H100177)

BOX 3



828 | WASHER FLAT
(x6) | 3/8 x 1 - 180828



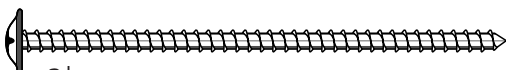
009 | CAPNUT
(x2) | 3/8 - 180009

(NOT TO SCALE) / (PAS À L'ÉCHELLE) / (NO ESTÁ A ESCALA) / (NON IN SCALA) / (NIET OP SCHAAL) / (NÃO À ESCALA) / (NIE PODANO WEDŁUG SKALI) / (NICHT MASSSTABSGETREU) / (非等比例) / (غير مرسومة بمقياس رسم)



335 | AXLE
(x1) | 3/8 x 22-3/8 - 170335

BOX 1



x3 | 2-1/2" (63,50 mm)

(STEP 23 / ÉTAPE 23 / PASO 23 / PASSO 23 / STAP 23 / DEGRAU 23 / KROK 23 / SCHRITT 23 / 步## / إجراء 23)

BOX 4

INCLUDED / INCLUS / INCLUIDO / INCLUSO / INCLUIDO / INBEGREPEN / W ZESTAWIE / MITGELIEFERT / 包括 / موجودة مع المنتج



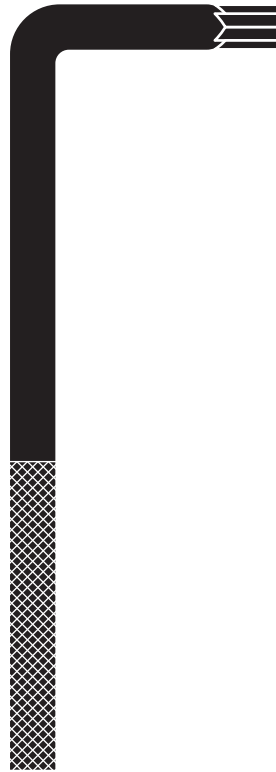
764 | SCREW SETTER
(x1) | 14x1-1/2-182497 (H100764)



042 | T-40 TORX BIT
(x1) | 5/16-182499 (A100042)



147 | T-30 TORX BIT
(x1) | 1/4-182502 (H100147)

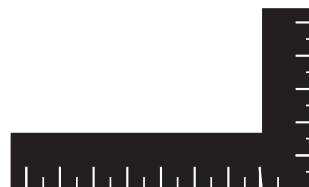
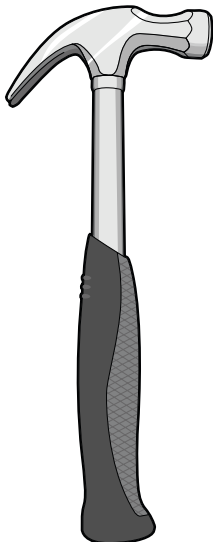


041 | T-40 TORX WRENCH
(x1) | 5/16-182498 (A100041)



114 | T-30 TORX WRENCH
(x1) | 1/4-182501 (H100114)

NOT INCLUDED / NON INCLUS / NO INCLUIDO / NON INCLUSO / NÃO INCLUIDO / NIET
INBEGREPEN NIE WCHODZI W SKŁAD ZESTAWU / NICHT MITGELIEFERT / غير موجود مع المنتج / 不包括



1a

Ensure proper wood orientation before securing the t-nuts. / Assurez-vous que le bois est bien orienté avant de fixer les écrous en T. / Asegúrese de que la madera esté orientada en la posición correcta antes de fijar las tuercas de clavar. / Assicurare un corretto orientamento del legno prima di fissare i dadi a T. / Garanta que a madeira está corretamente orientada antes de fixar as porcas em T. / Zorg voor een goede houtoriëntatie voordat u de t-moeren aandraait. / Upewnić się, że elementy drewniane są odpowiednio ustawione przed zabezpieczeniem nakrętek do rowków teowych. / Achten Sie auf die richtige Ausrichtung des Holzes, bevor Sie die T-Nutensteine sichern. / 在固定四角螺母之前，要确保木材位置方向正确。 / تأكد من اتجاه القطع الخشبية الصحيح قبل ربط الصواميل.



WP1 | A CORNER POST ASSEMBLY
(x1) 62.000" (1574,80mm) - 182487 (W9406001)



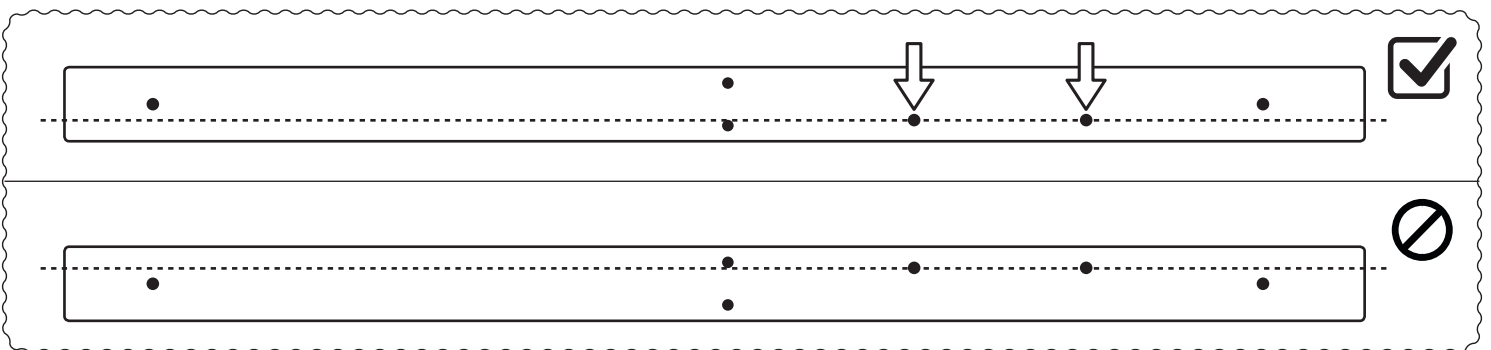
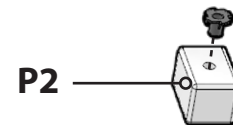
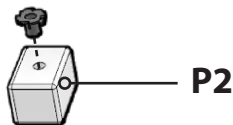
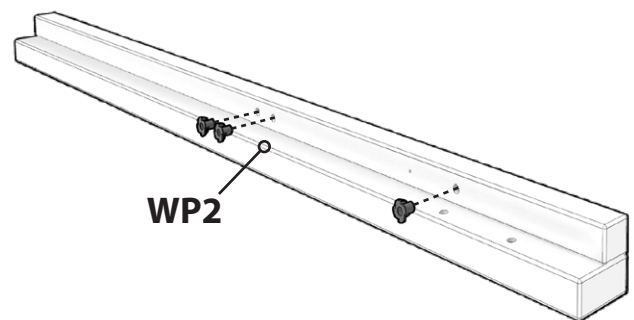
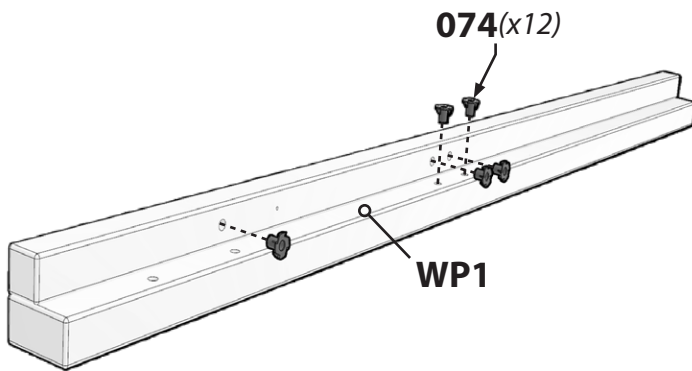
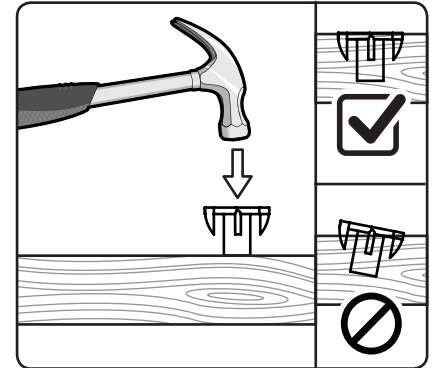
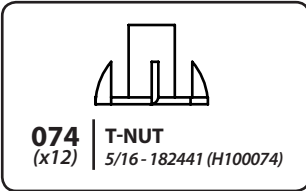
J1 | RIM JOIST FRONT
(x1) 42.107" (1069,52mm) - 182460 (W9406007)



WP2 | B CORNER POST ASSEMBLY
(x1) 62.000" (1574,80mm) - 182488 (W9406002)



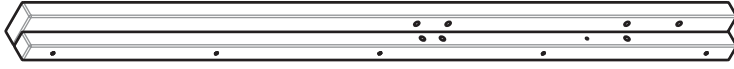
P2 | CORNER FILLER SHORT
(x2) 2.362" (59,99mm) - 182482 (W9406029)



1b

DO NOT fully tighten hardware until instructed (step 13). / **NE serrez PAS complètement le matériel avant que cela ne soit indiqué. (étape 13)** / NO APRIETE por completo la tornillería hasta que se le indique (paso 13). / NON serrare completamente i componenti finché non viene richiesto (passaggio 13). / NÃO aperte totalmente o material até instrução nesse sentido (passo 13). / De ijzerwaren NIET volledig aandraaien totdat dit aangegeven wordt (Dutch 13). / NIE DOKREĆAĆ całkowicie, do momentu pojawienia się odpowiedniej instrukcji (krok 13). / NICHT VOLLSTÄNDIG festziehen, bis Sie dazu aufgefordert werden (schritt 13). / 暂时不要完全拧紧五金件 (第13步) 。 / لا تحكم ربط الأجزاء المعدنية إلا إذا كانت هناك إرشادات بذلك (الخطوة 13).

041 T-40 TORX



WP1 | A CORNER POST ASSEMBLY
(x1) 62.000" (1574,80mm) - 182487 (W9406001)



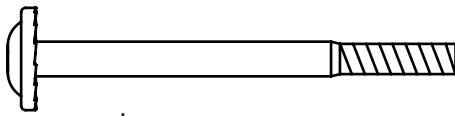
J1 | RIM JOIST FRONT
(x1) 42.107" (1069,52mm) - 182460 (W9406007)



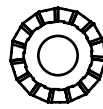
WP2 | B CORNER POST ASSEMBLY
(x1) 62.000" (1574,80mm) - 182488 (W9406002)



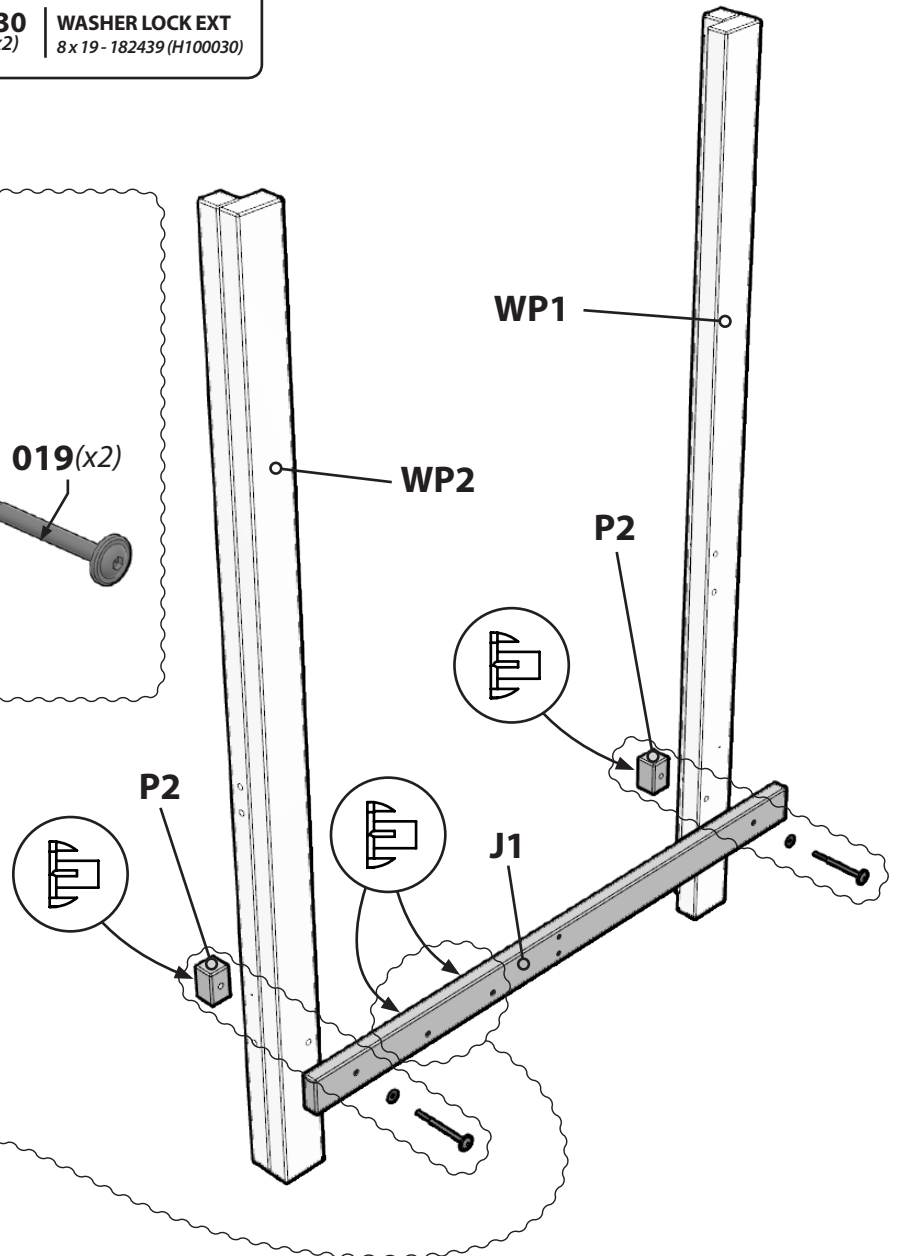
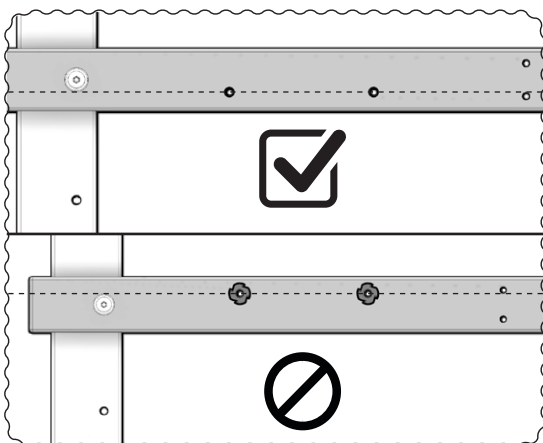
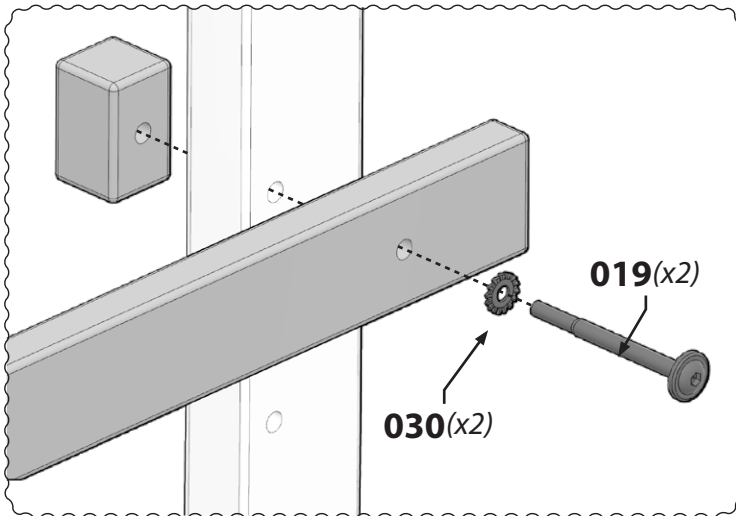
P2 | CORNER FILLER SHORT
(x2) 2.362" (59,99mm) - 182482 (W9406029)



019 | BOLT WH
(x2) 5/16 x 3-3/4 - 182438 (H100019)

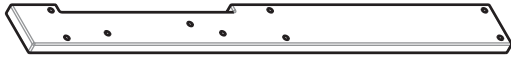


030 | WASHER LOCK EXT
(x2) 8 x 19 - 182439 (H100030)



2a

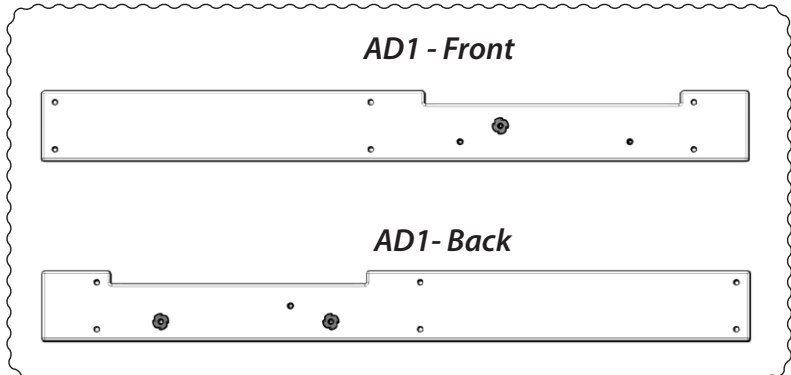
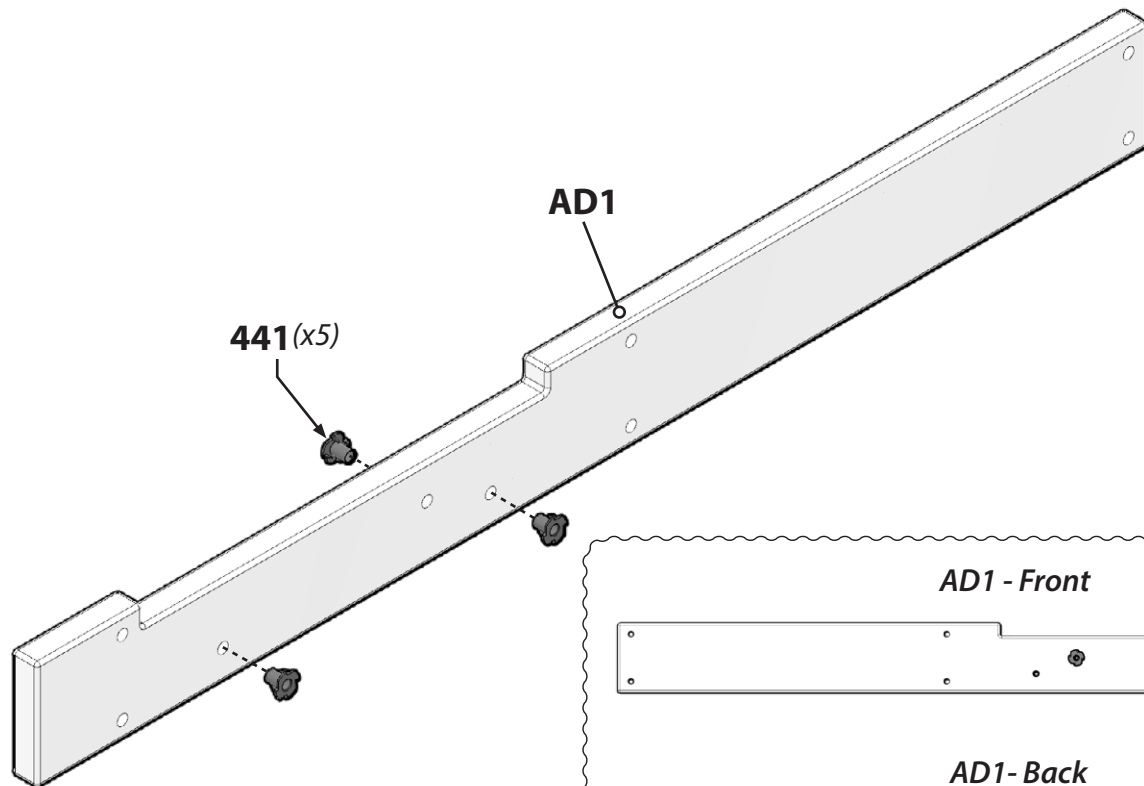
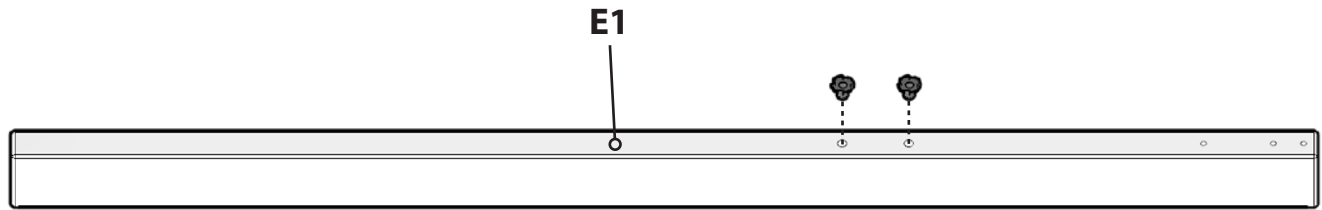
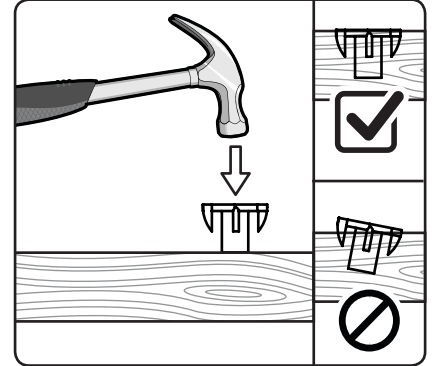
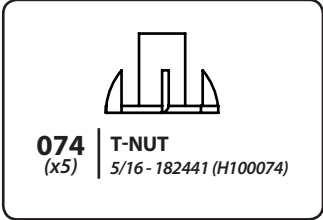
Ensure proper wood orientation before securing the t-nuts. / Assurez-vous que le bois est bien orienté avant de fixer les écrous en T. /
Asegúrese de que la madera esté orientada en la posición correcta antes de fijar las tuercas de clavar. / Assicurare un corretto orientamento del legno prima di fissare i dadi a T. / Garanta que a madeira está corretamente orientada antes de fixar as porcas em T. / Zorg voor een goede houtoriëntatie voordat u de t-moeren aandraait. / Upewnić się, że elementy drewniane są odpowiednio ustawione przed zabezpieczeniem nakrętek do rowków teowych. / Achten Sie auf die richtige Ausrichtung des Holzes, bevor Sie die T-Nutensteine sichern. / 在固定四角螺母之前，要确保木材位置方向正确。 / تأكد من اتجاه القطع الخشبية الصحيح قبل ربط الصواميل.



AD1 | UPPER RAILING FRONT
(x1) | 41.520" (1054,61mm) - 182471 (W9406018)



E1 | CENTER POST
(x1) | 53.860" (1368,04mm) - 182459 (W9406006)

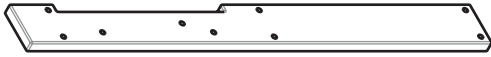


2b

DO NOT fully tighten hardware until instructed (step 13). / **NE serrez PAS complètement le matériel avant que cela ne soit indiqué. (étape 13)** / **NO APRIETE por completo la tornillería hasta que se le indique (paso 13).** / **NON serrare completamente i componenti finché non viene richiesto (passaggio 13).** / **NÃO aperte totalmente o material até instrução nesse sentido (passo 13).** / **De ijzerwaren NIET volledig aandraaien totdat dit aangegeven wordt (Dutch 13).** / **NIE DOKREĆAĆ całkowicie, do momentu pojawienia się odpowiedniej instrukcji (krok 13).** / **NICHT VOLLSTÄNDIG festziehen, bis Sie dazu aufgefordert werden (schritt 13).** / **暂时不要完全拧紧五金件 (第13步)。** / لا تحكم ربط الأجزاء المعدنية إلا إذا كانت هناك إشارات بذلك (الخطوة 13).

041 T-40 TORX

114 T-30 TORX



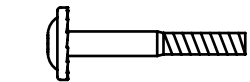
AD1 | UPPER RAILING FRONT
(x1) | 41.520" (1054,61mm) -182471 (W9406018)



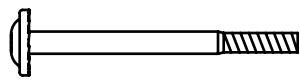
E1 | CENTER POST
(x1) | 53.860" (1368,04mm) -182459 (W9406006)



P1 | RAMP SUPPORT
(x1) | 9.880" (250,95mm) -182480 (W9406027)



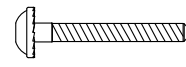
013 | BOLT WH
(x4) | 5/16 x 2-1/4 - 182436 (H100013)



019 | BOLT WH
(x2) | 5/16 x 3-3/4 - 182438 (H100019)



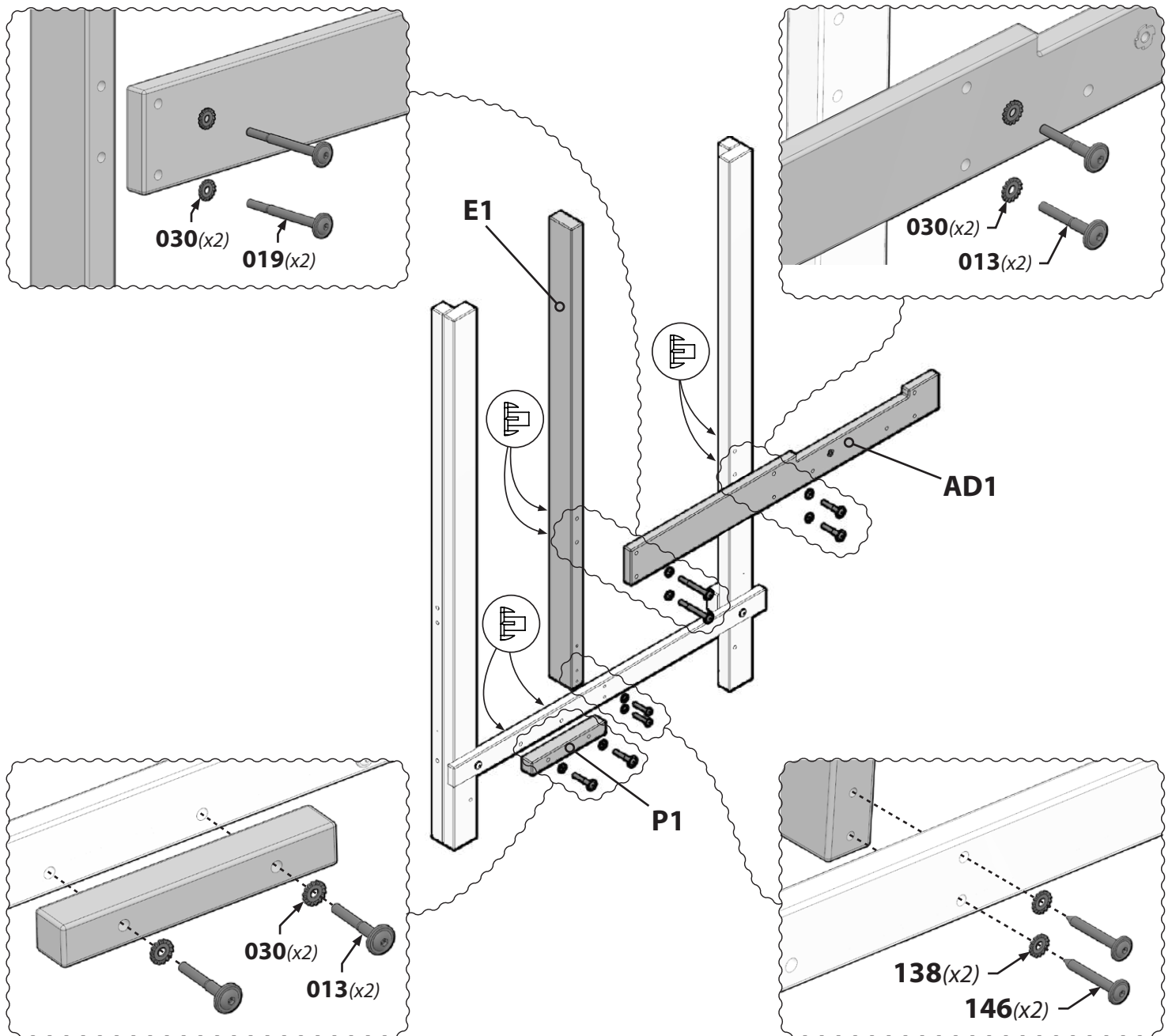
030 | WASHER LOCK EXT
(x6) | 8 x 19 - 182439 (H100030)



146 | LAG SCREW WH
(x2) | 1/4 x 2 - 182448 (H100146)



138 | WASHER LOCK EXT
(x2) | 6 x 15 - 182495 (H100138)



3

DO NOT fully tighten hardware until instructed (step 13). / **NE serrez PAS complètement le matériel avant que cela ne soit indiqué. (étape 13)** / **NO APRIETE por completo la tornillería hasta que se le indique (paso 13).** / **NON serrare completamente i componenti finché non viene richiesto (passaggio 13).** / **NÃO aperte totalmente o material até instrução nesse sentido (passo 13).** / **De ijzerwaren NIET volledig aandraaien totdat dit aangegeven wordt (Dutch 13).** / **NIE DOKREĆAĆ całkowicie, do momentu pojawienia się odpowiedniej instrukcji (krok 13).** / **NICHT VOLLSTÄNDIG festziehen, bis Sie dazu aufgefordert werden (schritt 13).** / **暂时不要完全拧紧五金件 (第13步)。** / **لا تحكم ربط الأجزاء المعدنية إلا إذا كانت هناك إرشادات بذلك (الخطوة 13).**

041 T-40 TORX



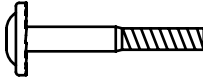
J3 | RIM JOIST SIDE
(x2) | 30.210" (767,33mm) -182462 (W9406009)



J7 | DECK SCAB
(x1) | 3.385" (85,95mm) -182485 (W9406032)



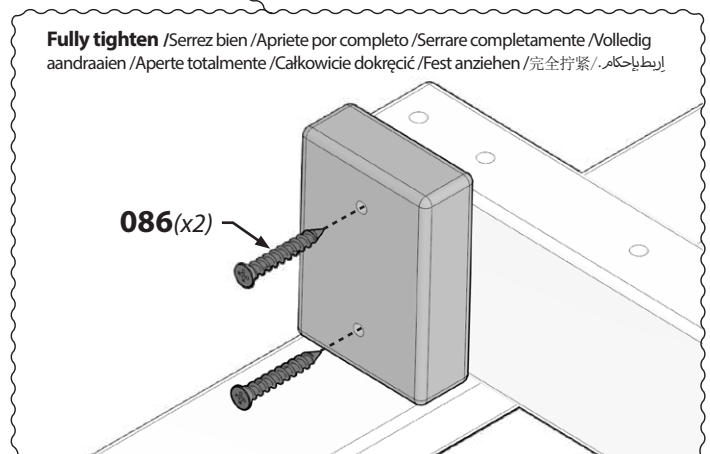
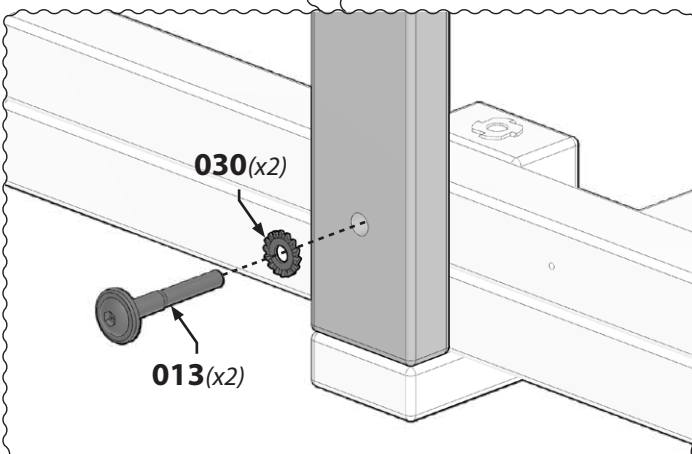
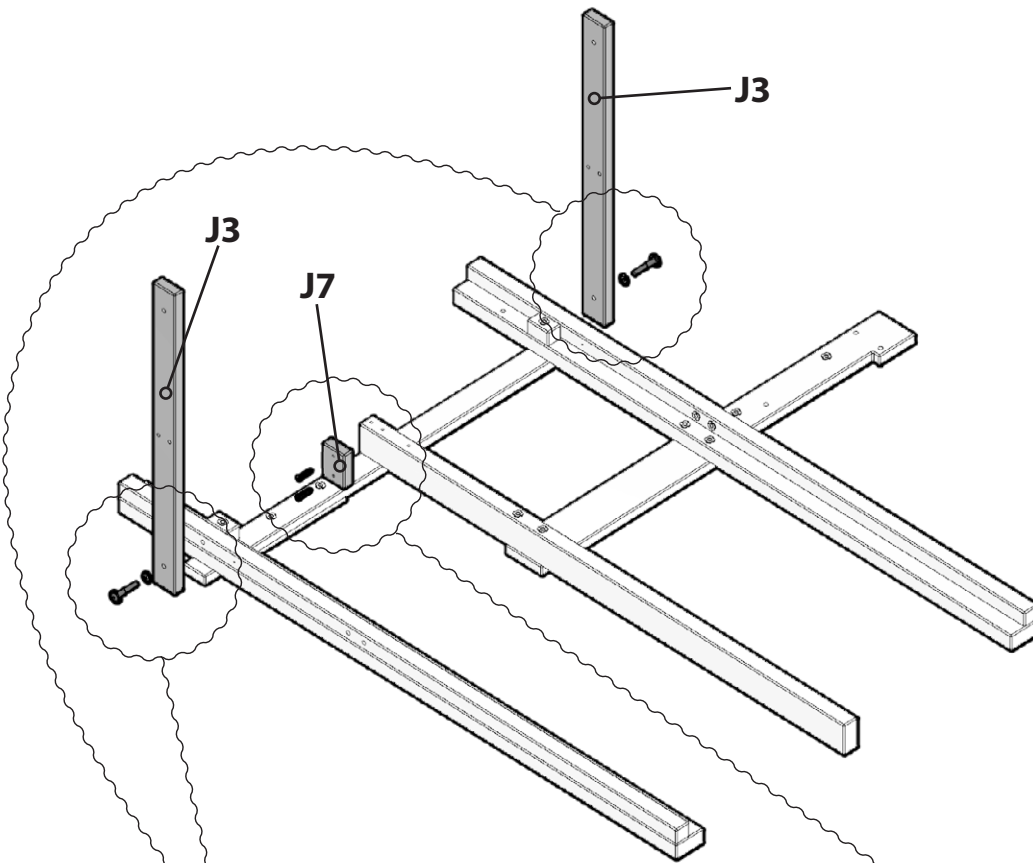
086 | SCREW PFW
(x2) | 8 x 1-1/2 -182442 (H100086)



013 | BOLT WH
(x2) | 5/16 x 2-1/4 - 182436 (H100013)



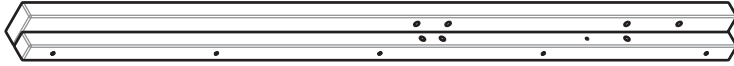
030 | WASHER LOCK EXT
(x2) | 8 x 19 - 182439 (H100030)



Fully tighten / Serrez bien / Apriete por completo / Serrare completamente / Volledig aandraaien / Aperte totalmente / Całkowicie dokrećć / Fest anziehen / 完全拧紧 / إربط بإحكام.

4a

Ensure proper wood orientation before securing the t-nuts. / Assurez-vous que le bois est bien orienté avant de fixer les écrous en T. / Asegúrese de que la madera esté orientada en la posición correcta antes de fijar las tuercas de clavar. / Assicurare un corretto orientamento del legno prima di fissare i dadi a T. / Garanta que a madeira está corretamente orientada antes de fixar as porcas em T. / Zorg voor een goede houtoriëntatie voordat u de t-moeren aandraait. / Upewnij się, że elementy drewniane są odpowiednio ustawione przed zabezpieczeniem nakrętek do rowków teowych. / Achten Sie auf die richtige Ausrichtung des Holzes, bevor Sie die T-Nutensteine sichern. / 在固定四角螺母之前，要确保木材位置方向正确。 / تأكد من اتجاه القطع الخشبية الصحيح قبل ربط الصواميل.



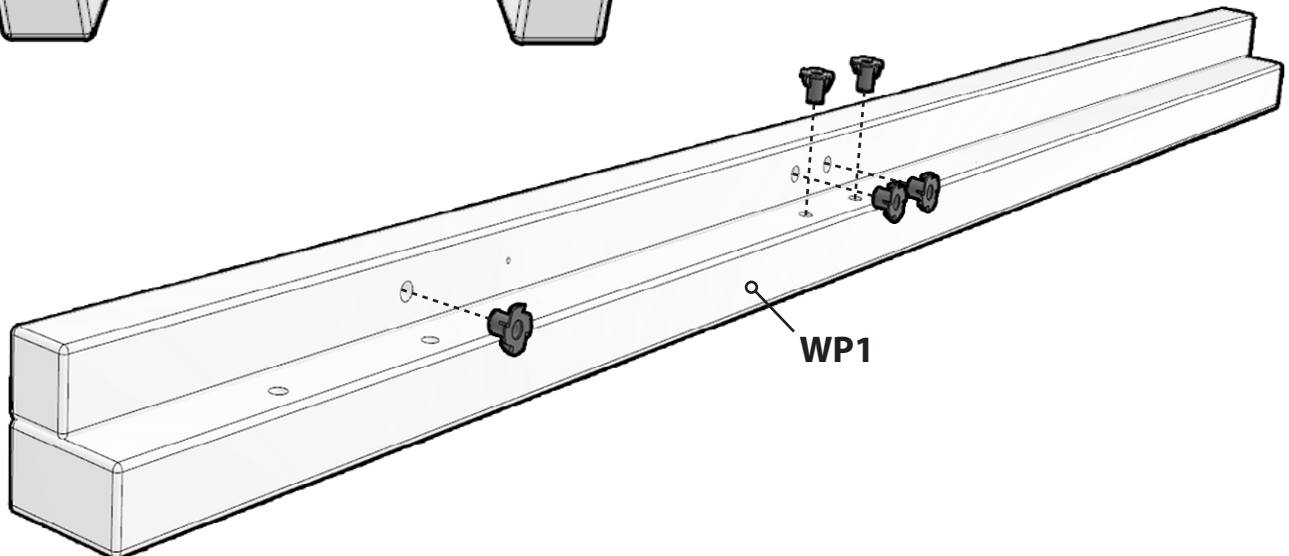
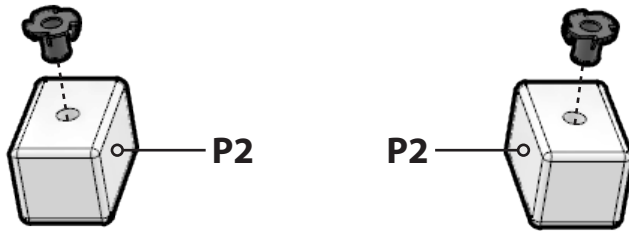
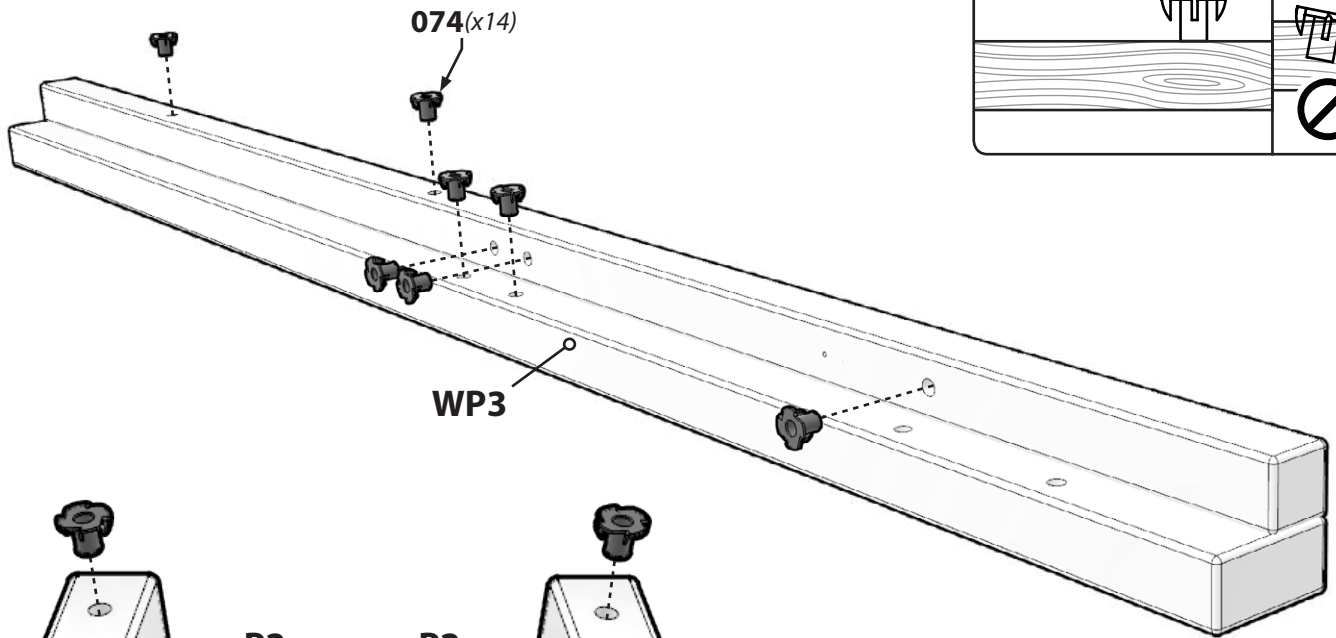
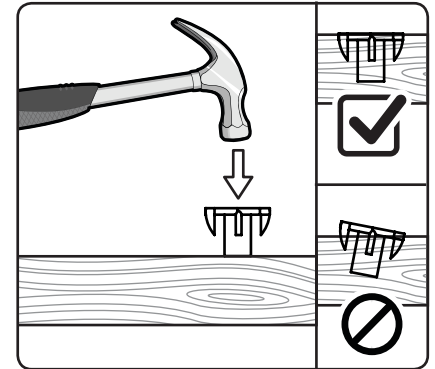
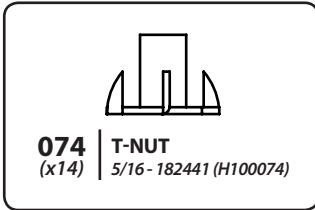
WP1 | A CORNER POST ASSEMBLY
(x1) 62.000" (1574,80mm) - 182487 (W9406001)



WP3 | C CORNER POST ASSEMBLY
(x1) 62.000" (1574,80mm) - 182489 (W9406003)



P2 | CORNER FILLER SHORT
(x2) 2.362" (59,99mm) - 182482 (W9406029)



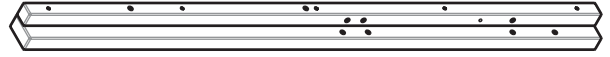
4b

DO NOT fully tighten hardware until instructed (step 13). / NE serrez PAS complètement le matériel avant que cela ne soit indiqué. (étape 13) / NO APRIETE por completo la tornillería hasta que se le indique (paso 13). / NON serrare completamente i componenti finché non viene richiesto (passaggio 13). / NÃO aperte totalmente o material até instrução nesse sentido (passo 13). / De ijzerwaren NIET volledig aandraaien totdat dit aangegeven wordt (Dutch 13). / NIE DOKREĆAĆ całkowicie, do momentu pojawienia się odpowiedniej instrukcji (krok 13). / NICHT VOLLSTÄNDIG festziehen, bis Sie dazu aufgefordert werden (schritt 13). / 暂时不要完全拧紧五金件 (第13步)。 / لا تحكم ربط الأجزاء المعدنية إلا إذا كانت هناك إرشادات بذلك (الخطوة 13).

041 T-40 TORX



WP1 | A CORNER POST ASSEMBLY
(x1) | 62.000" (1574,80mm) - 182487 (W9406001)



WP3 | C CORNER POST ASSEMBLY
(x1) | 62.000" (1574,80mm) - 182489 (W9406003)



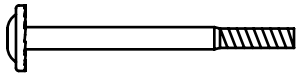
AD2 | UPPER RAILING BACK
(x1) | 60.790" (1544,07mm) - 182472 (W9406019)



J2 | RIM JOIST BACK
(x1) | 42.107" (1069,52mm) - 182461 (W9406008)



P2 | CORNER FILLER SHORT
(x2) | 2.362" (59,99mm) - 182482 (W9406029)



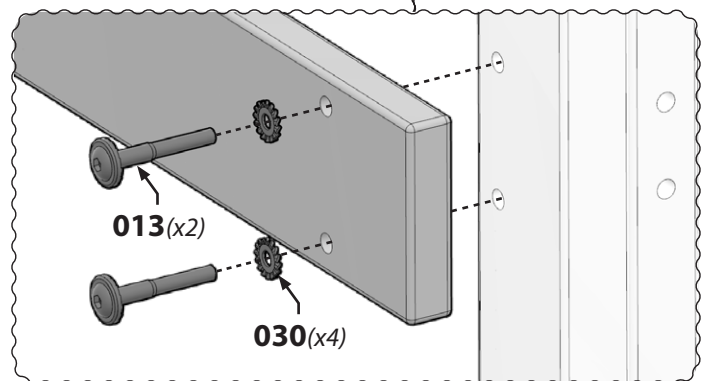
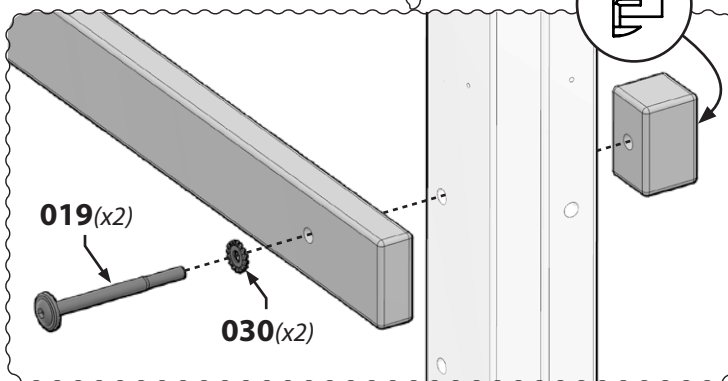
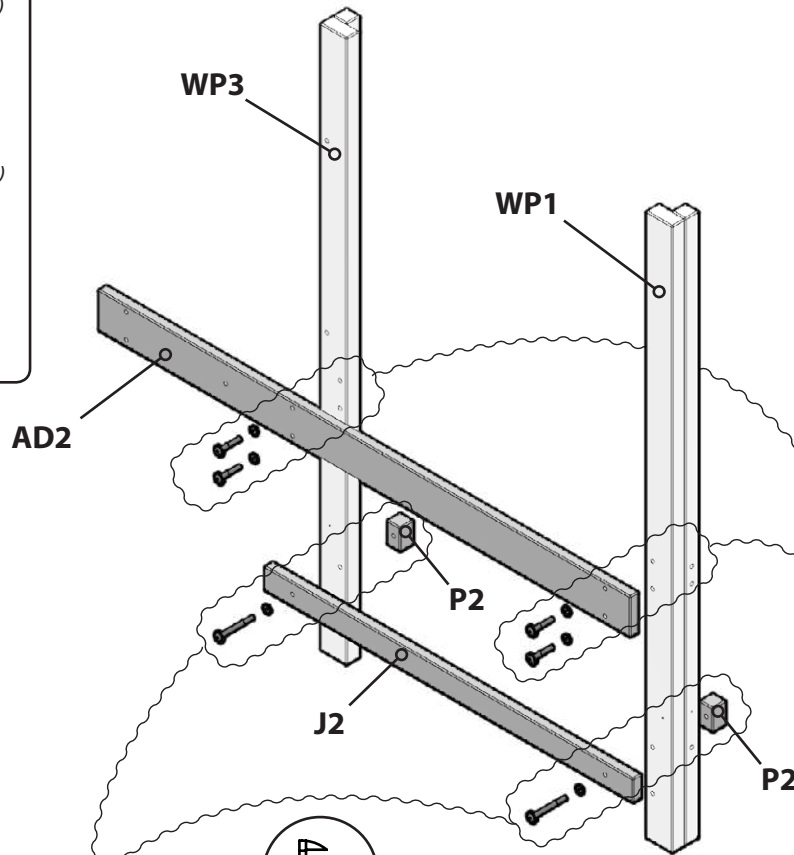
019 | BOLT WH
(x2) | 5/16 x 3-3/4 - 182438 (H100019)



013 | BOLT WH
(x4) | 5/16 x 2-1/4 - 182436 (H100013)

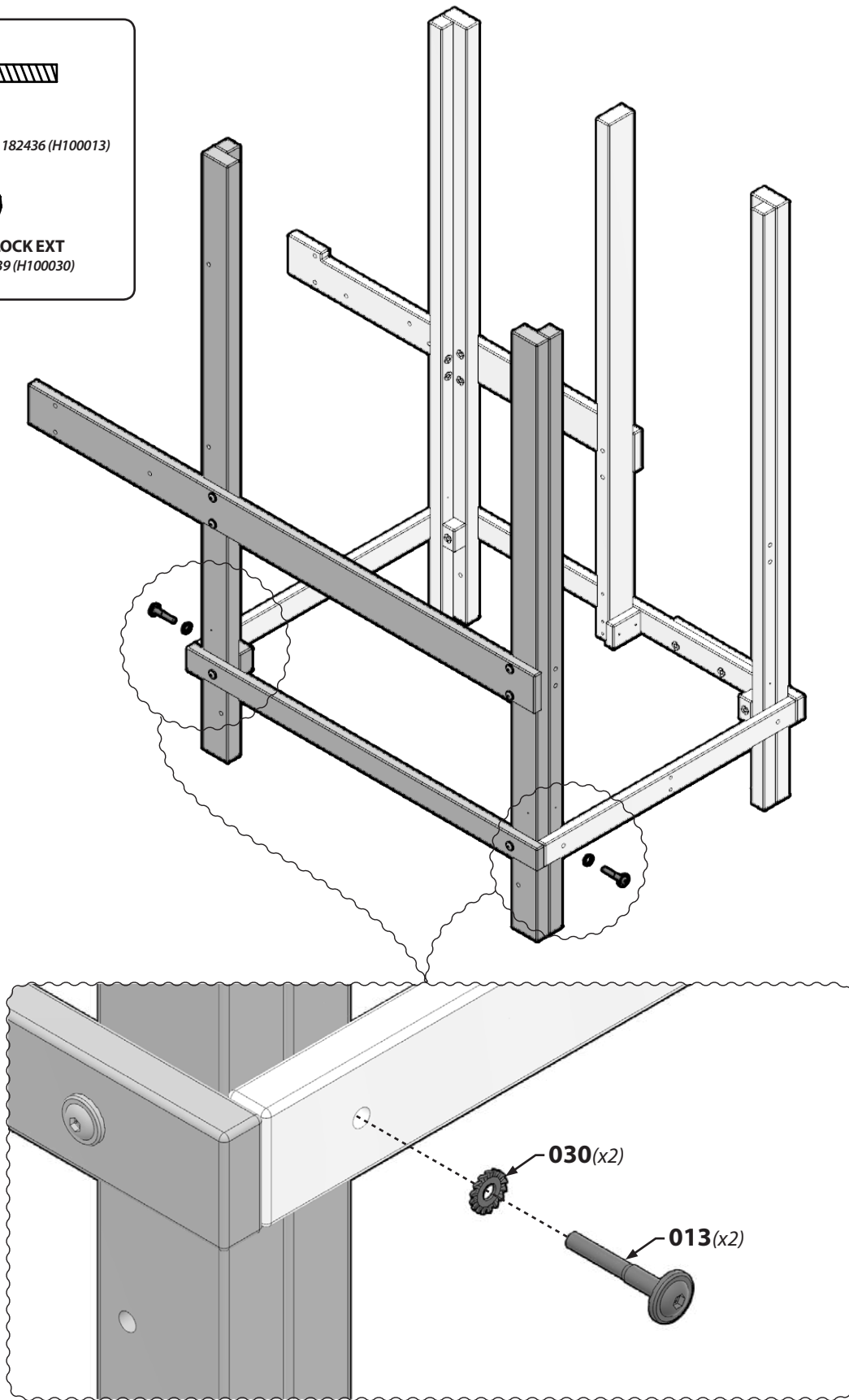
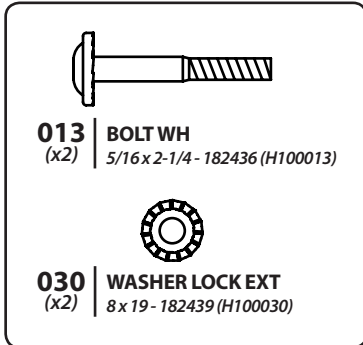


030 | WASHER LOCK EXT
(x6) | 8 x 19 - 182439 (H100030)



5

DO NOT fully tighten hardware until Instructed (step 13). / NE serrez PAS complètement le matériel avant que cela ne soit indiqué. (étape 13) / NO APRIETE por completo la tornillería hasta que se le indique (paso 13). / NON serrare completamente i componenti finché non viene richiesto (passaggio 13). / NÃO aperte totalmente o material até instrução nesse sentido (passo 13). / De ijzerwaren NIET volledig aandraaien totdat dit aangegeven wordt (Dutch 13). / NIE DOKREĆAĆ całkowicie, do momentu pojawienia się odpowiedniej instrukcji (krok 13). / NICHT VOLLSTÄNDIG festziehen, bis Sie dazu aufgefordert werden (schritt 13). / 暂时不要完全拧紧五金件 (第13步)。 / لا تحكم ربط الأجزاء المعدنية إلا إذا كانت هناك إرشادات بذلك (الخطوة 13).

041 T-40 TORX

6

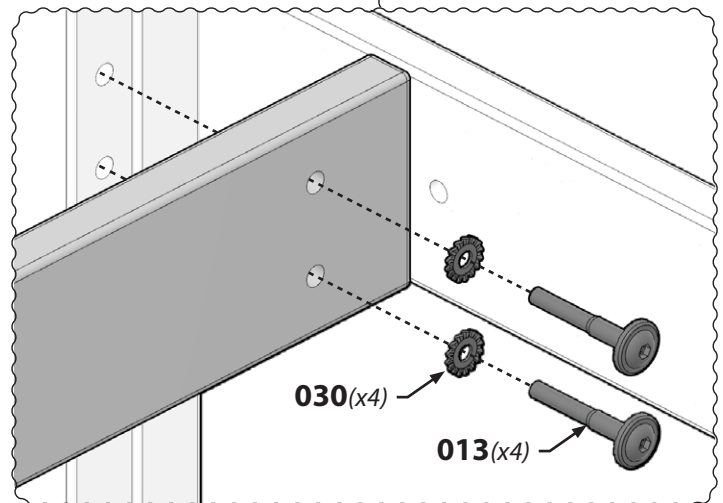
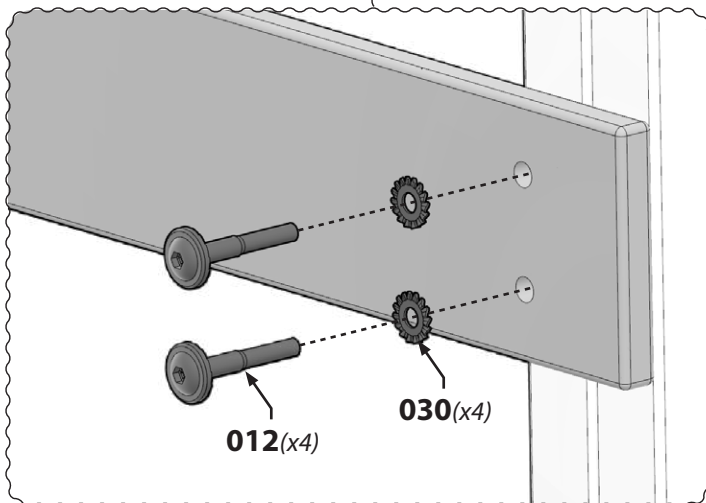
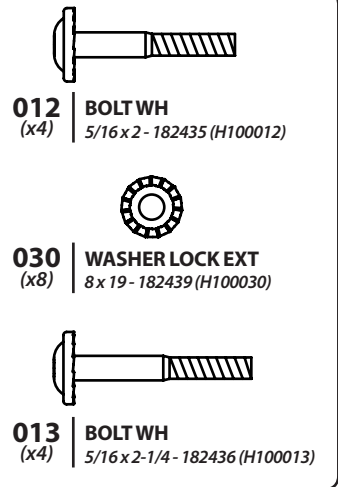
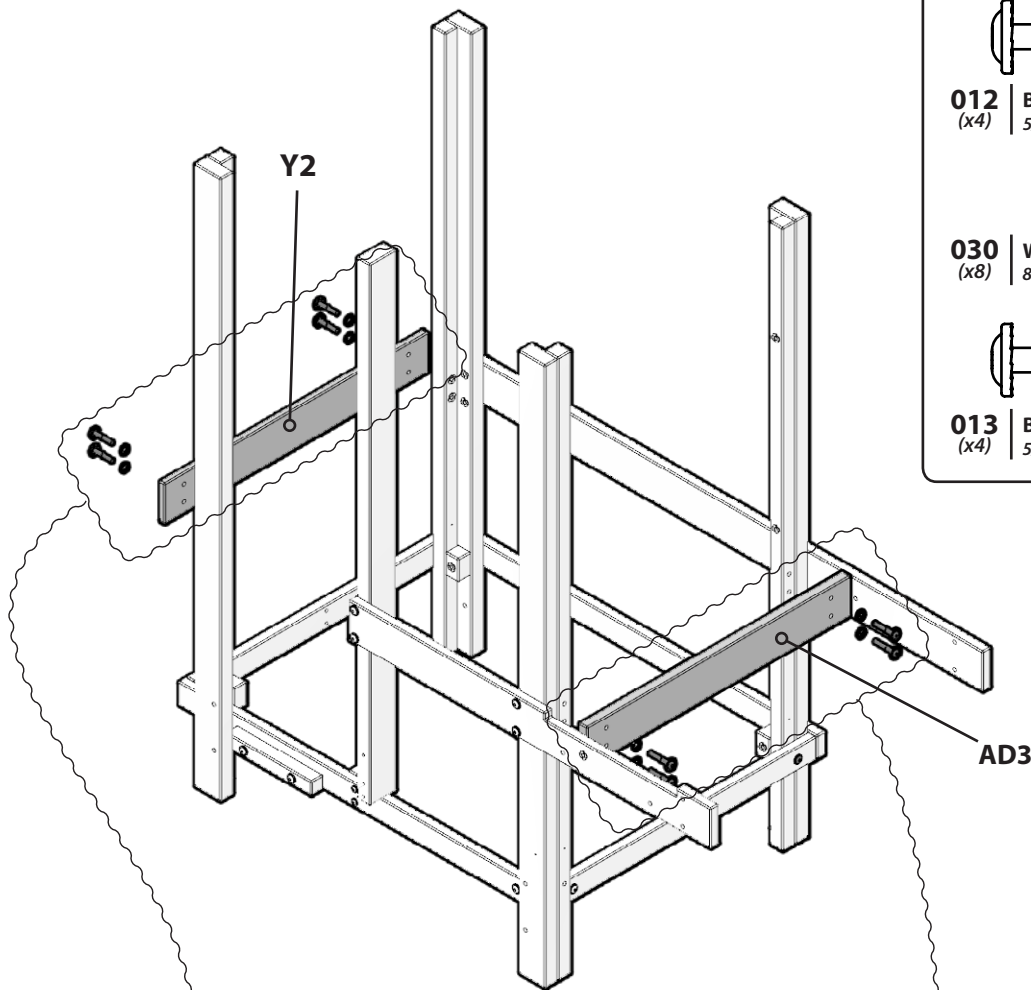
DO NOT fully tighten hardware until instructed (step 13). / NE serrez PAS complètement le matériel avant que cela ne soit indiqué. (étape 13) / NO APRIETE por completo la tornillería hasta que se le indique (paso 13). / NON serrare completamente i componenti finché non viene richiesto (passaggio 13). / NÃO aperte totalmente o material até instrução nesse sentido (passo 13). / De ijzerwaren NIET volledig aandraaien totdat dit aangegeven wordt (Dutch 13). / NIE DOKREĆAĆ całkowicie, do momentu pojawienia się odpowiedniej instrukcji (krok 13). / NICHT VOLLSTÄNDIG festziehen, bis Sie dazu aufgefordert werden (schritt 13). / 暂时不要完全拧紧五金件 (第13步)。 / لا تحكم ربط الأجزاء المعدنية إلا إذا كانت هناك إرشادات بذلك (الخطوة 13).

041 T-40 TORX

AD3 | UPPER DECK SUPPORT
(x1) | 30.210" (767,33mm) - 182473 (W9406020)



Y2 | UPPER RAILING SIDE
(x1) | 30.210" (767,33mm) - 182470 (W9406017)



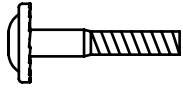
DO NOT fully tighten hardware until instructed (step 13). / NE serrez PAS complètement le matériel avant que cela ne soit indiqué. (étape 13) / NO APRIETE por completo la tornillería hasta que se le indique (paso 13). / NON serrare completamente i componenti finché non viene richiesto (passaggio 13). / NÃO aperte totalmente o material até instrução nesse sentido (passo 13). / De ijzerwaren NIET volledig aandraaien totdat dit aangegeven wordt (Dutch 13). / NIE DOKREĆAĆ całkowicie, do momentu pojawienia się odpowiedniej instrukcji (krok 13). / NICHT VOLLSTÄNDIG festziehen, bis Sie dazu aufgefordert werden (schritt 13). / 暂时不要完全拧紧五金件 (第13步)。 / لا تحكم ربط الأجزاء المعدنية إلا إذا كانت هناك إرشادات بذلك (الخطوة 13).



F1 | CENTER JOIST
(x1) 40.210" (1021,33mm) -182463 (W9406010)



N1 | STORAGE GUIDE
(x2) 37.105" (942,47mm) -182478 (W9406025)



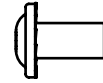
011 | BOLT WH
(x4) 5/16 x 1-3/4 -182434 (H100011)



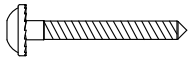
030 | WASHER LOCK EXT
(x4) 8 x 19 - 182439 (H100030)



031 | WASHER LOCK EXT
(x4) 12 x 19 -182507 (H100031)



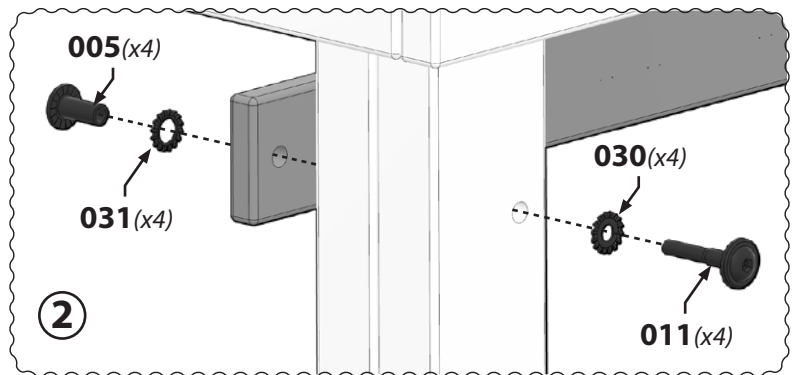
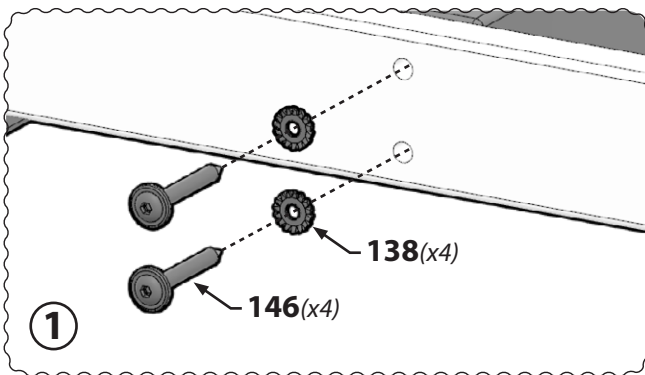
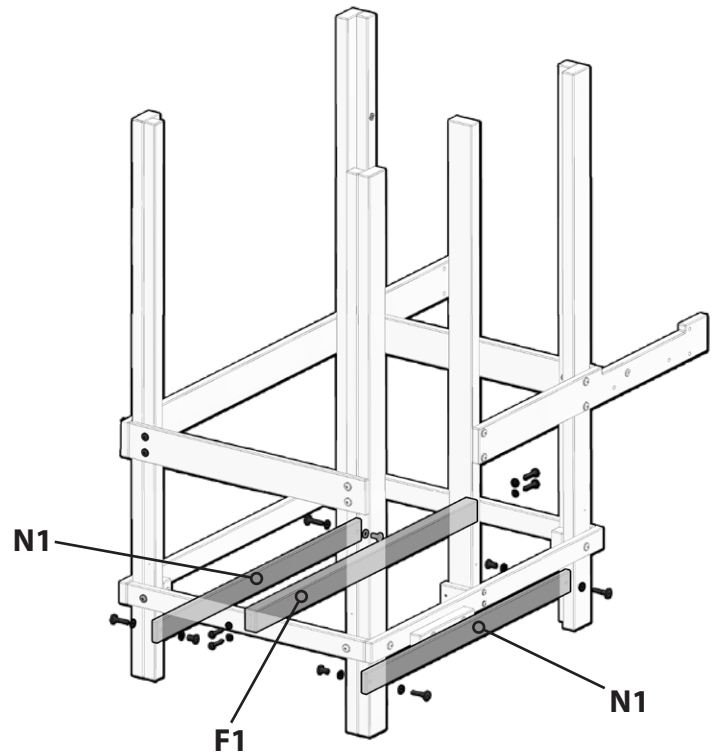
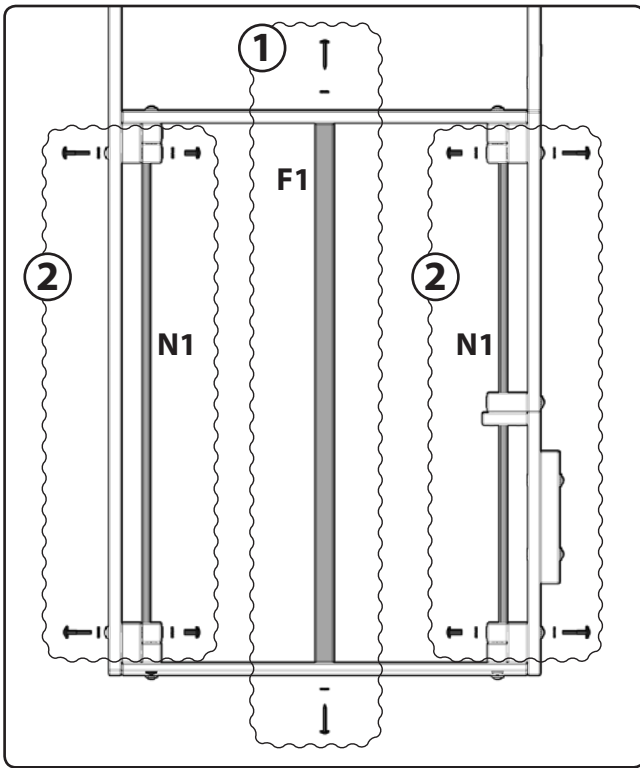
005 | BARREL NUT WH
(x4) 5/16 x 7/8 -182506 (H100005)



146 | LAG SCREW WH
(x4) 1/4 x 2 - 182448 (H100146)

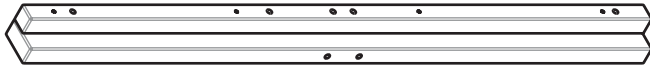


138 | WASHER LOCK EXT
(x4) 6 x 15 -182495 (H100138)

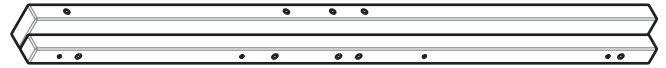


8a

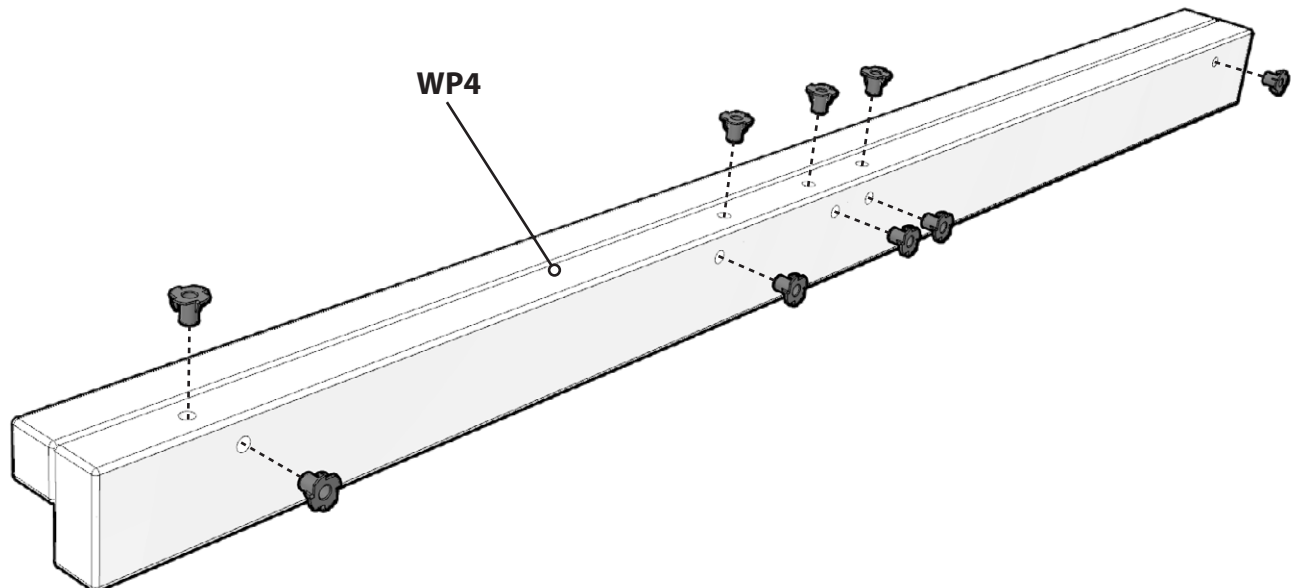
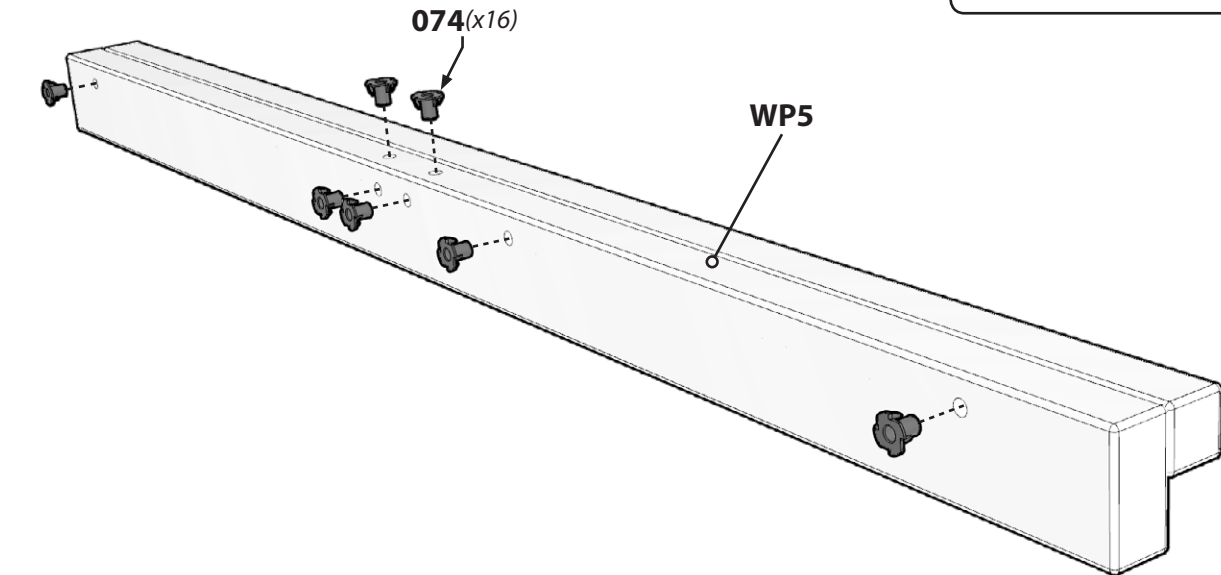
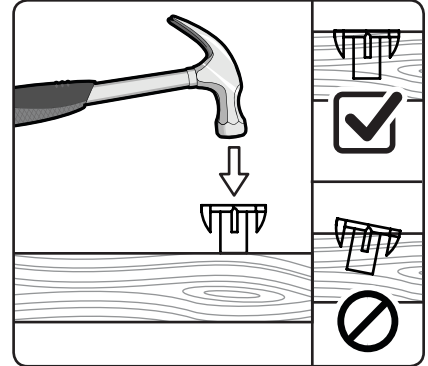
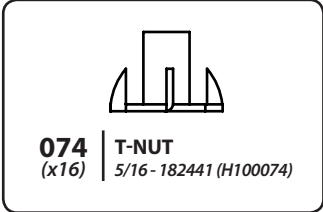
Ensure proper wood orientation before securing the t-nuts. / Assurez-vous que le bois est bien orienté avant de fixer les écrous en T. / Asegúrese de que la madera esté orientada en la posición correcta antes de fijar las tuercas de clavar. / Assicurare un corretto orientamento del legno prima di fissare i dadi a T. / Garanta que a madeira está corretamente orientada antes de fixar as porcas em T. / Zorg voor een goede houtoriëntatie voordat u de t-moeren aandraait. / Upewnij się, że elementy drewniane są odpowiednio ustawione przed zabezpieczeniem nakrętek do rowków teowych. / Achten Sie auf die richtige Ausrichtung des Holzes, bevor Sie die T-Nutensteine sichern. / 在固定四角螺母之前，要确保木材位置方向正确。 / تأكد من اتجاه القطع الخشبية الصحيح قبل ربط الصواميل.



WP5 | E CORNER POST ASSEMBLY
(x1) | 53.750" (1365,25mm) - 182491 (W9406005)



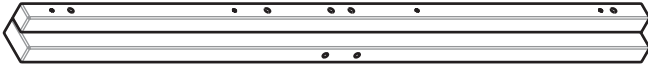
WP4 | D CORNER POST ASSEMBLY
(x1) | 53.750" (1365,25mm) - 182490 (W9406004)



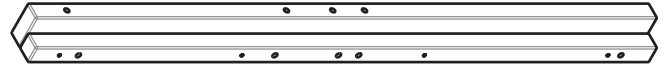
8b

DO NOT fully tighten hardware until instructed (step 13). / NE serrez PAS complètement le matériel avant que cela ne soit indiqué. (étape 13) / NO APRIETE por completo la tornillería hasta que se le indique (paso 13). / NON serrare completamente i componenti finché non viene richiesto (passaggio 13). / NÃO aperte totalmente o material até instrução nesse sentido (passo 13). / De ijzerwaren NIET volledig aandraaien totdat dit aangegeven wordt (Dutch 13). / NIE DOKREĆAĆ całkowicie, do momentu pojawienia się odpowiedniej instrukcji (krok 13). / NICHT VOLLSTÄNDIG festziehen, bis Sie dazu aufgefordert werden (schritt 13). / 暂时不要完全拧紧五金件 (第13步)。 / لا تحكم ربط الأجزاء المعدنية إلا إذا كانت هناك إرشادات بذلك (الخطوة 13).

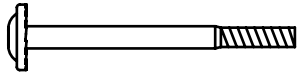
041 T-40 TORX



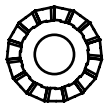
WP5 | E CORNER POST ASSEMBLY
(x1) | 53.750" (1365,25mm) - 182491 (W9406005)



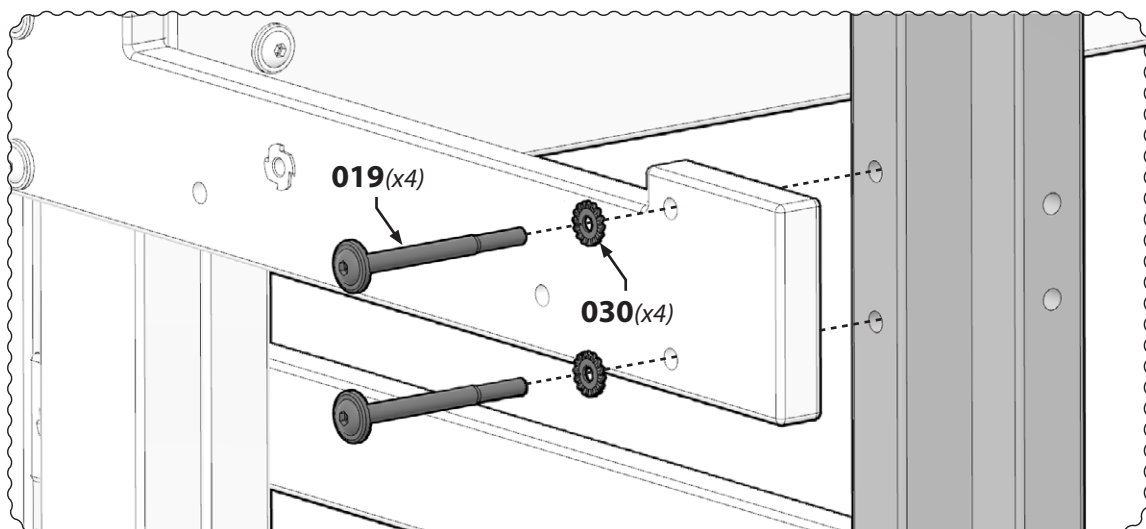
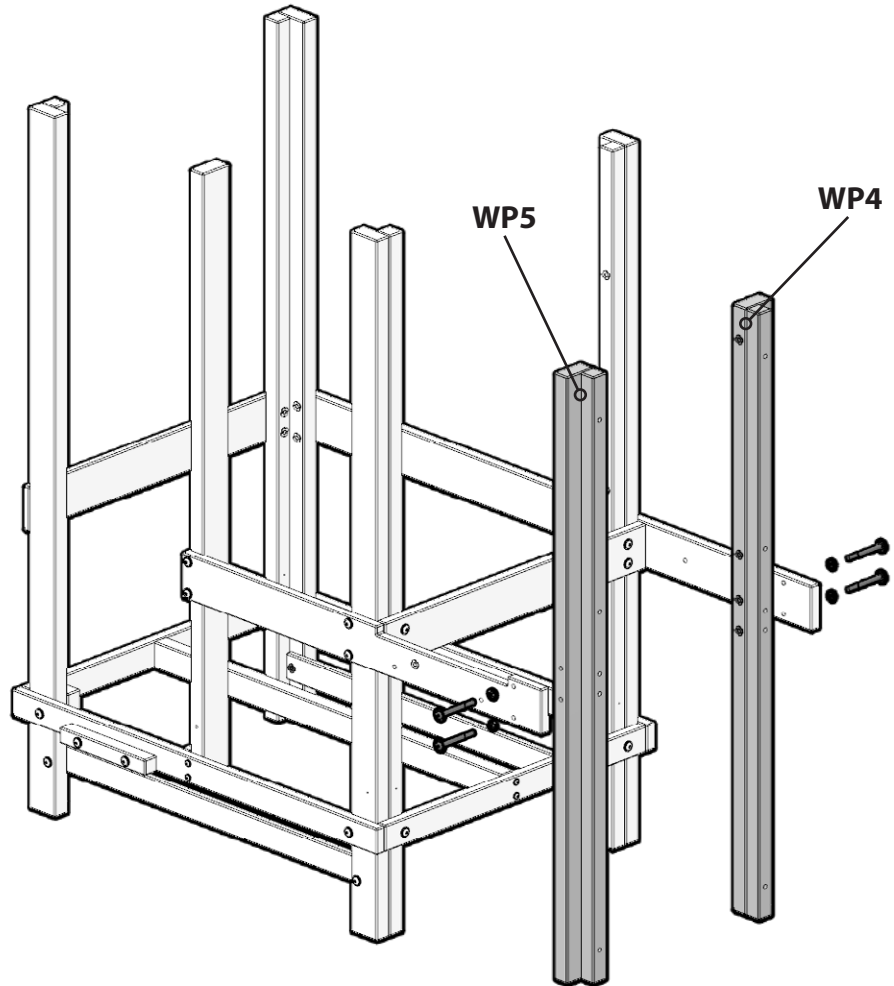
WP4 | D CORNER POST ASSEMBLY
(x1) | 53.750" (1365,25mm) - 182490 (W9406004)



019 | BOLT WH
(x4) | 5/16 x 3-3/4 - 182438 (H100019)



030 | WASHER LOCK EXT
(x4) | 8 x 19 - 182439 (H100030)



9

DO NOT fully tighten hardware until instructed (step 13). / NE serrez PAS complètement le matériel avant que cela ne soit indiqué. (étape 13) / NO APRIETE por completo la tornillería hasta que se le indique (paso 13). / NON serrare completamente i componenti finché non viene richiesto (passaggio 13). / NÃO aperte totalmente o material até instrução nesse sentido (passo 13). / De ijzerwaren NIET volledig aandraaien totdat dit aangegeven wordt (Dutch 13). / NIE DOKREĆAĆ całkowicie, do momentu pojawienia się odpowiedniej instrukcji (krok 13). / NICHT VOLLSTÄNDIG festziehen, bis Sie dazu aufgefordert werden (schritt 13). / 暂时不要完全拧紧五金件 (第13步)。 / لا تحكم ربط الأجزاء المعدنية إلا إذا كانت هناك إرشادات بذلك (الخطوة 13).



P3 | CORNER FILLER LONG
(x2) | 4.015" (101,98mm) - 182483 (W9406030)



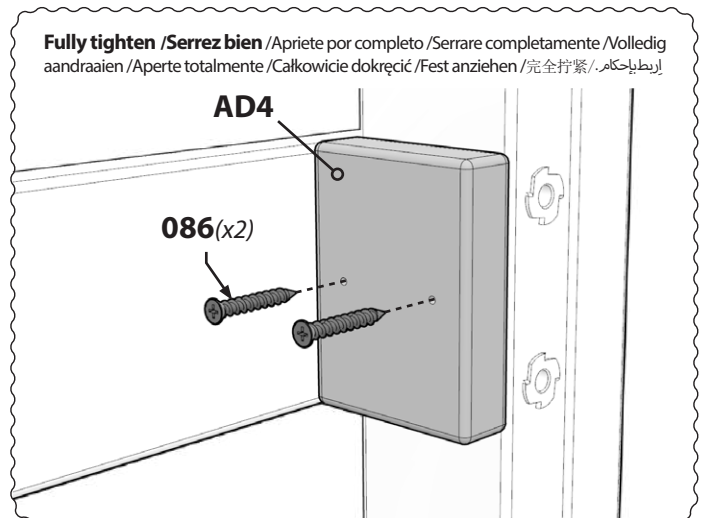
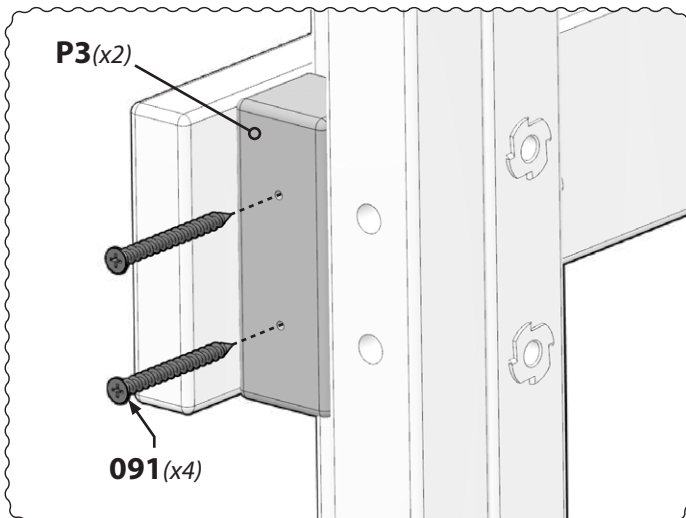
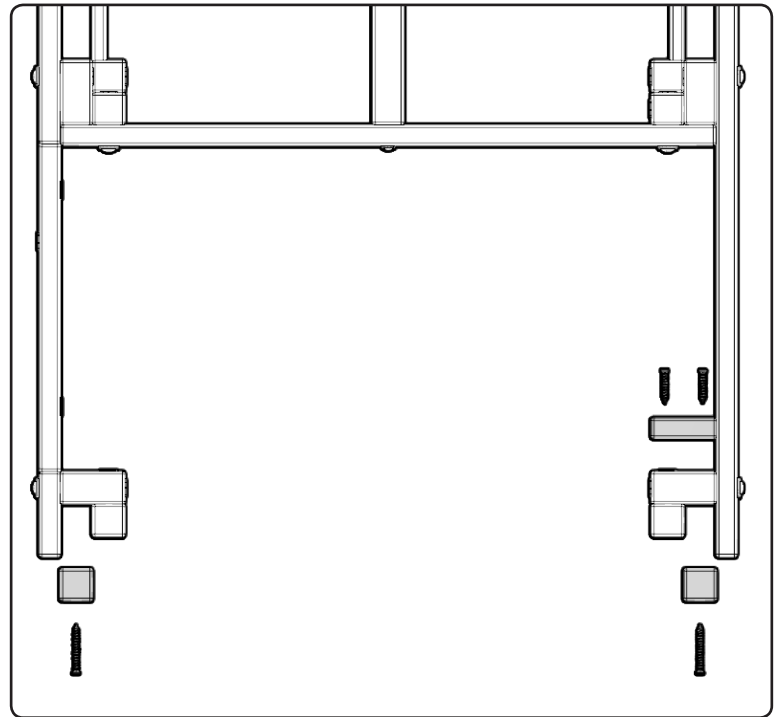
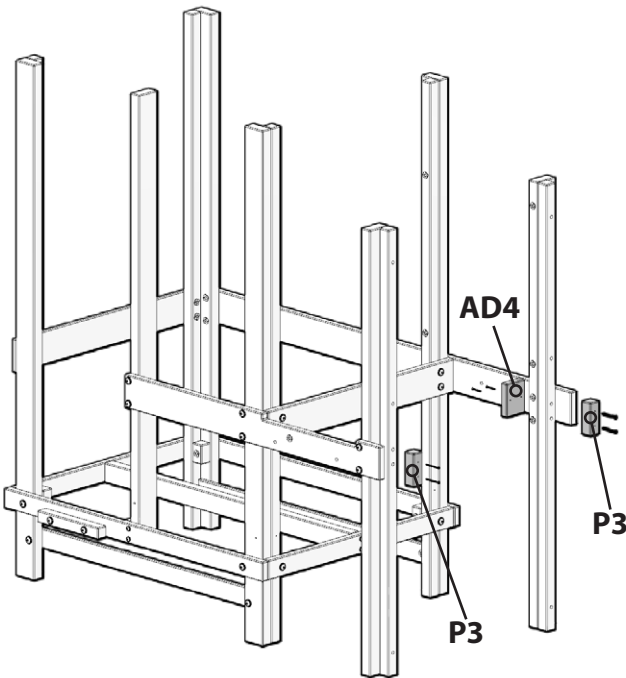
AD4 | DECK SCAB
(x1) | 4.015" (101,98mm) - 182484 (W9406031)



091 | SCREW PFW
(x4) | 8 x 2-1/4 - 182444 (H100091)



086 | SCREW PFW
(x2) | 8 x 1-1/2 - 182442 (H100086)



Fully tighten /Serrez bien /Apriete por completo /Serrare completamente /Volledig aandraaien /Aperte totalmente /Całkowicie dokrećć /Fest anziehen /完全拧紧 / إربط بإحكام.

10

DO NOT fully tighten hardware until Instructed (step 22-23). / NE serrez PAS complètement le matériel avant que cela ne soit indiqué. (étape 22-23) / NO APRIETE por completo la tornillería hasta que se le indique (paso 22-23).

041 T-40 TORX

NON serrare completamente i componenti finché non viene richiesto (passaggio 22-23). / NÃO aperte totalmente o material até instrução nesse sentido (passo 22-23). / De ijzerwaren NIET volledig aandraaien totdat dit aangegeven wordt (Dutch 22-23). / NIE DOKREĆAĆ całkowicie, do momentu pojawienia się odpowiedniej instrukcji (krok 22-23). / NICHT VOLLSTÄNDIG festziehen, bis Sie dazu aufgefordert werden (schritt 22-23). / 暂时不要完全拧紧五金件(第13步)。 / لا تحكم ربط الأجزاء المعدنية إلا إذا كانت هناك إرشادات بذلك (الخطوة 22-23).



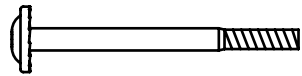
K

SIDE RAILING
134318

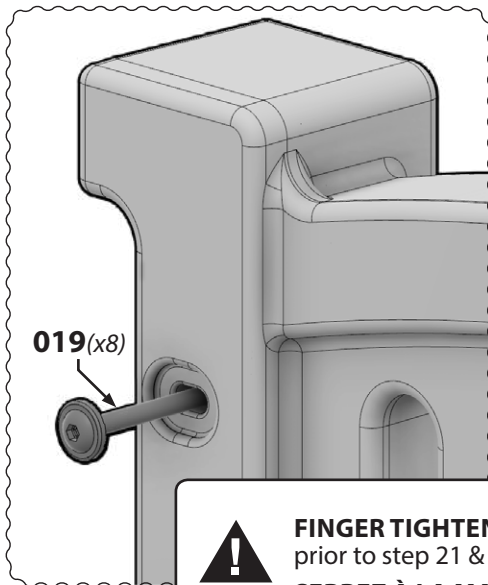
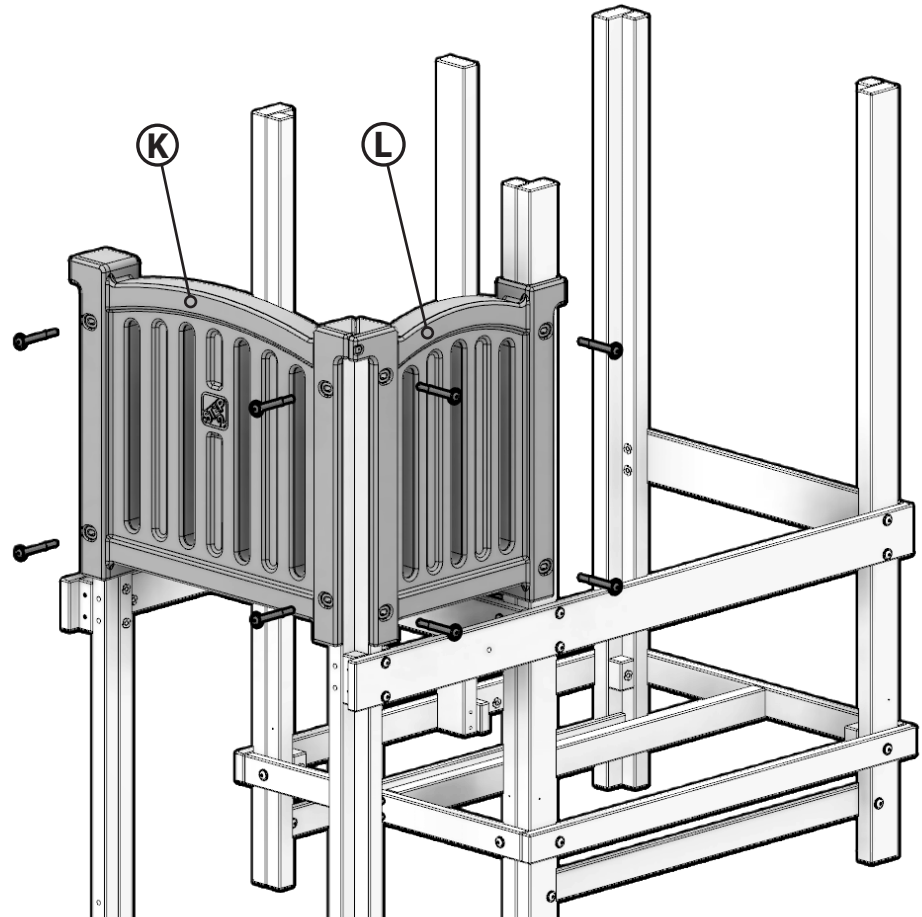


L

BACK RAILING
134319



019 BOLT WH
(x8) 5/16 x 3-3/4 - 182438 (H100019)



019(x8)



FINGER TIGHTEN! Railing (K,L) used as template to hold proper alignment. Railing will be removed prior to step 21 & reattached in step 22-23.

SERREZ À LA MAIN! La balustrade (K,L) sert de gabarit pour maintenir un bon alignement. La balustrade doit être retirée avant l'étape 21 et fixée de nouveau à l'étape 23.

¡APRIETE CON LOS DEDOS! Los raíles (K, L) se utilizan como plantilla para mantener una alineación adecuada. Los raíles se retirarán antes del paso 21 y se volverán a colocar en el paso 23.

SERRARE! Ringhiera (K, L) utilizzata come modello per mantenere l'allineamento corretto. La ringhiera verrà rimossa prima della fase 21 e fissata nuovamente nella fase 23.

HANDVAST AANDRAAIEN! Leuning (K,L) gebruikt als sjabloon om de juiste uitlijning vast te houden. Leuning wordt voorafgaand aan stap 21 verwijderd en in stap 23 opnieuw bevestigd.

APERTE MANUALMENTE! A calha (K, L) é utilizada como modelo para manter o alinhamento adequado. A calha será removida antes do passo 21 e colocada novamente no passo 23.

DOKREĆIĆ RĘCZNIE! Pręt (K,L) należy wykorzystać jako element pomocniczy w odpowiednim wyrównaniu. Przed przystąpieniem do czynności kroku 21 pręt należy usunąć, a następnie ponownie go zamontować przed przystąpieniem do czynności kroku 23.

HANDFEST ANZIEHEN! Das Geländer (K, L) wird als Schablone genutzt, um die richtige Ausrichtung sicherzustellen. Das Geländer wird vor Schritt 21 abgenommen und in Schritt 23 wieder montiert.

用手指拧紧! 栏杆 (K, L) 充当模板用于对齐。在步骤 21 之前将栏杆拆除, 在步骤 23 中重新安装栏杆。

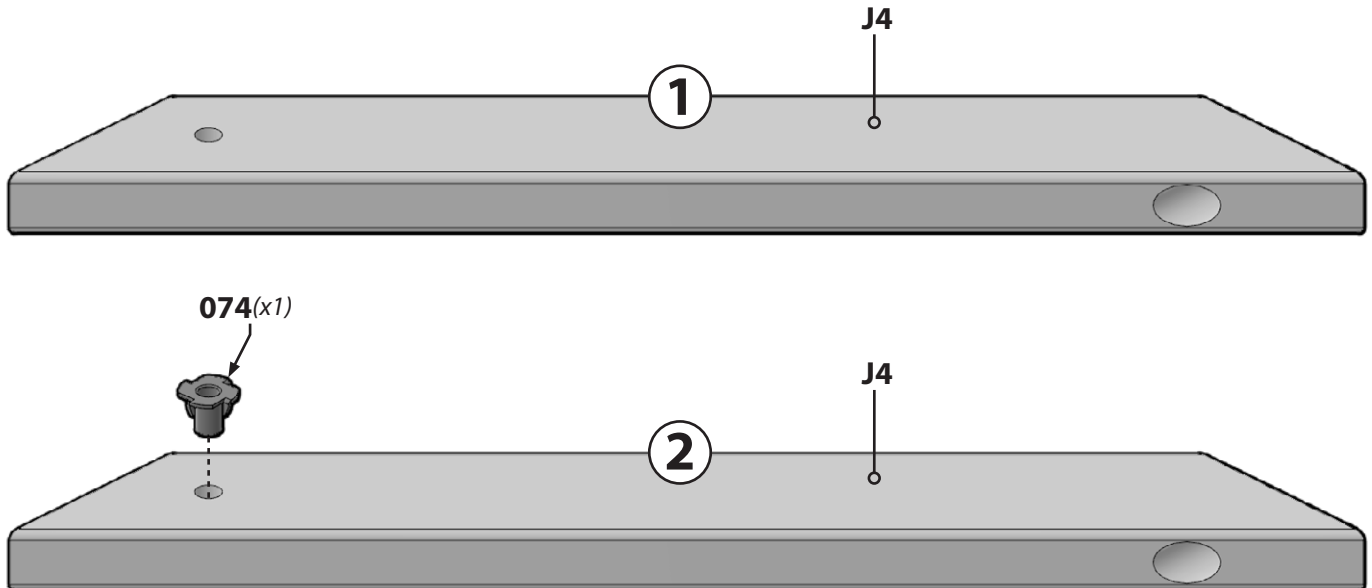
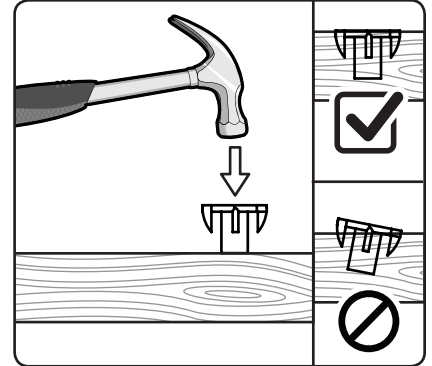
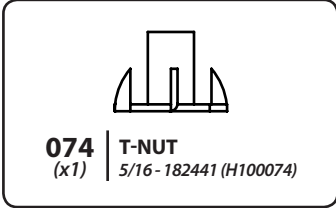
اربطه بأصابعك! يُستخدم السياج (L,K) كعارضة أفقية للحفاظ على المحاذاة. ستم إزالة السياج قبل الخطوة 21 وإعادة تركيبه في الخطوة 23.

11a

Ensure proper wood orientation before securing the t-nuts. / Assurez-vous que le bois est bien orienté avant de fixer les écrous en T. / Asegúrese de que la madera esté orientada en la posición correcta antes de fijar las tuercas de clavar. / Assicurare un corretto orientamento del legno prima di fissare i dadi a T. / Garanta que a madeira está corretamente orientada antes de fixar as porcas em T. / Zorg voor een goede houtoriëntatie voordat u de t-moeren aandraait. / Upewnnić się, że elementy drewniane są odpowiednio ustawione przed zabezpieczeniem nakrętek do rowków teowych. / Achten Sie auf die richtige Ausrichtung des Holzes, bevor Sie die T-Nutensteine sichern. / 在固定四角螺母之前，要确保木材位置方向正确。 / تأكد من اتجاه القطع الخشبية الصحيح قبل ربط الصواميل.



J4 | GUSSET
(x2) | 18.606" (472,59mm) -182476 (W9406023)



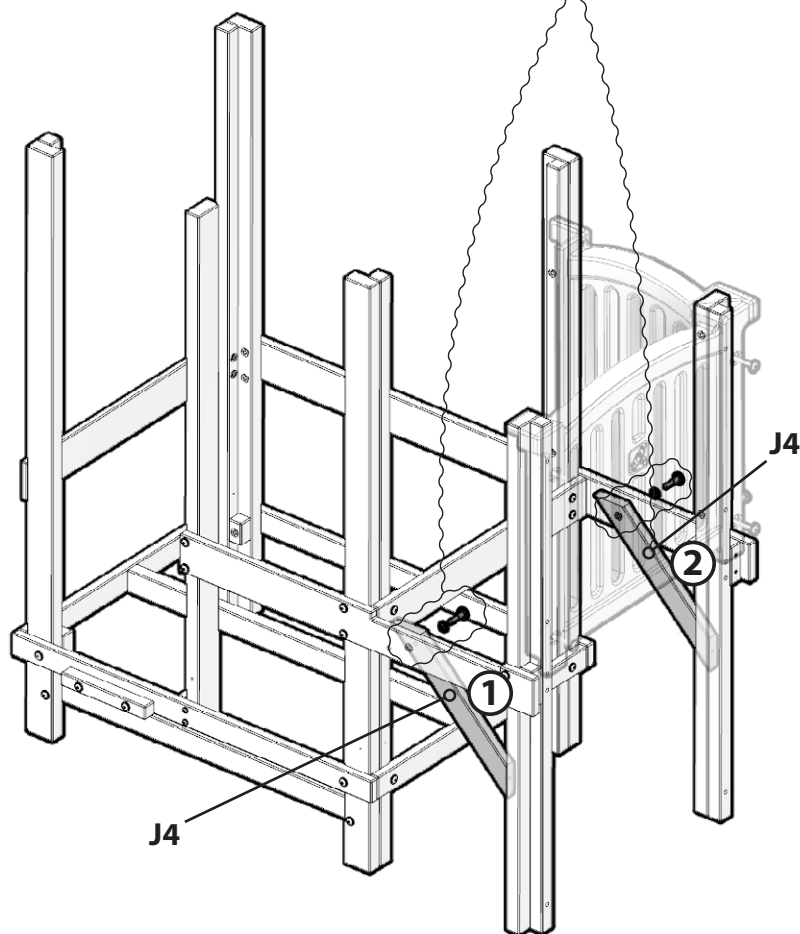
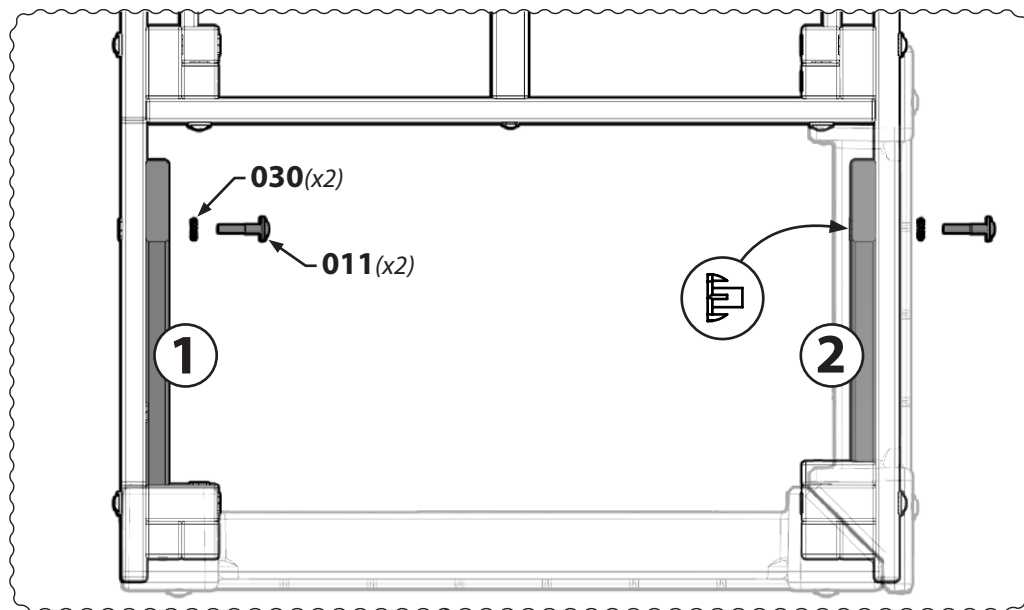
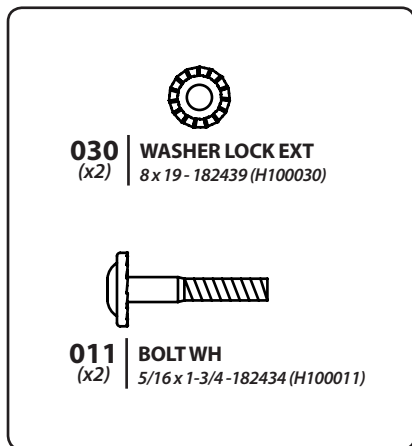
11b

DO NOT fully tighten hardware until instructed (step 13). / NE serrez PAS complètement le matériel avant que cela ne soit indiqué. (étape 13) / NO APRIETE por completo la tornillería hasta que se le indique (paso 13). / NON serrare completamente i componenti finché non viene richiesto (passaggio 13). / NÃO aperte totalmente o material até instrução nesse sentido (passo 13). / De ijzerwaren NIET volledig aandraaien totdat dit aangegeven wordt (Dutch 13). / NIE DOKREĆAĆ całkowicie, do momentu pojawienia się odpowiedniej instrukcji (krok 13). / NICHT VOLLSTÄNDIG festziehen, bis Sie dazu aufgefordert werden (schritt 13). / 暂时不要完全拧紧五金件 (第13步)。 / لا تحكم ربط الأجزاء المعدنية إلا إذا كانت هناك إرشادات بذلك (الخطوة 13).

041 T-40 TORX



J4 | GUSSET
(x2) | 18.606" (472,59mm) -182476 (W9406023)



DO NOT fully tighten hardware until instructed (step 13). / **NE serrez PAS complètement le matériel avant que cela ne soit indiqué. (étape 13)** / NO APRIETE por completo la tornillería hasta que se le indique (paso 13). / NON serrare completamente i componenti finché non viene richiesto (passaggio 13). / NÃO aperte totalmente o material até instrução nesse sentido (passo 13). / De ijzerwaren NIET volledig aandraaien totdat dit aangegeven wordt (Dutch 13). / NIE DOKREĆAĆ całkowicie, do momentu pojawienia się odpowiedniej instrukcji (krok 13). / NICHT VOLLSTÄNDIG festziehen, bis Sie dazu aufgefordert werden (schritt 13). / 暂时不要完全拧紧五金件 (第13步)。 / لا تحكم ربط الأجزاء المعدنية إلا إذا كانت هناك إرشادات بذلك (الخطوة 13).



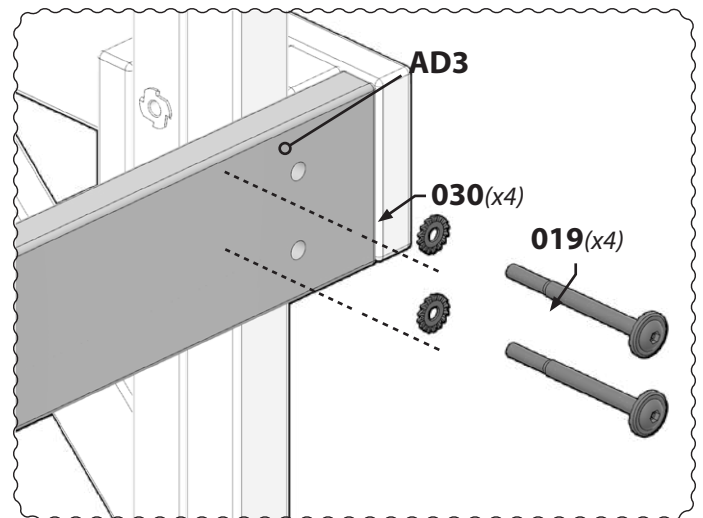
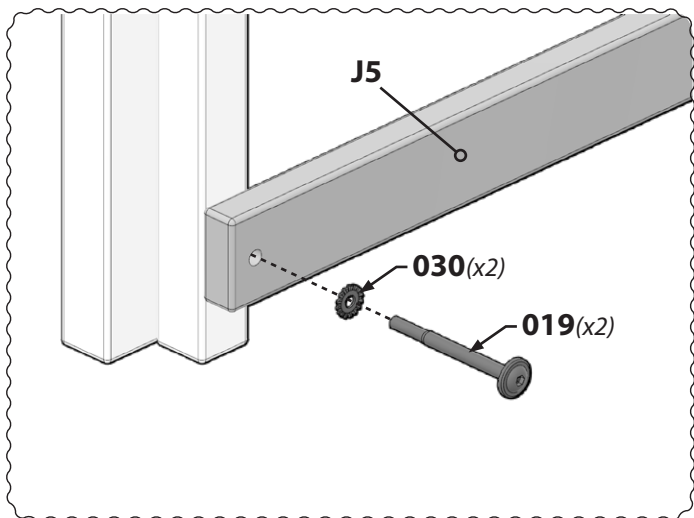
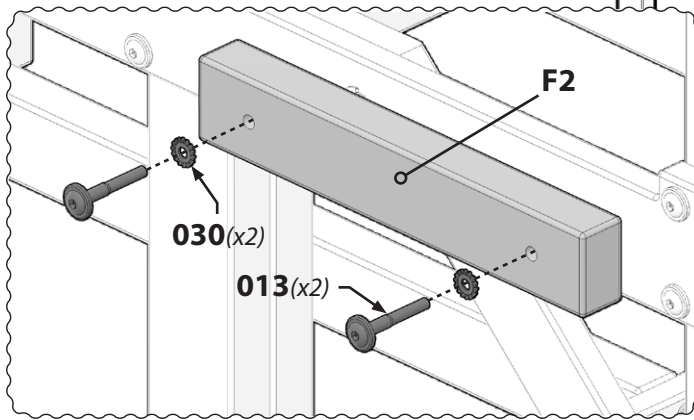
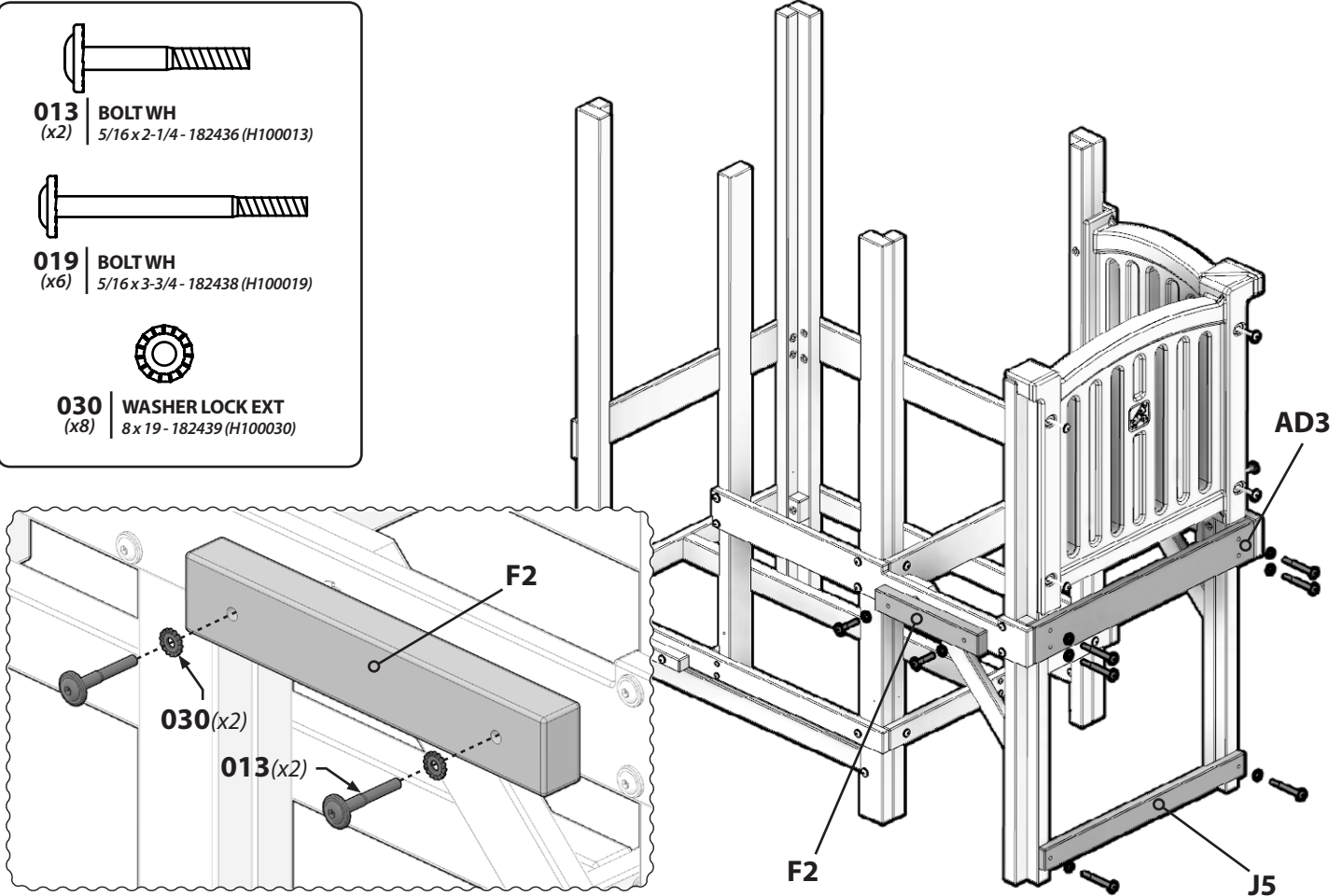
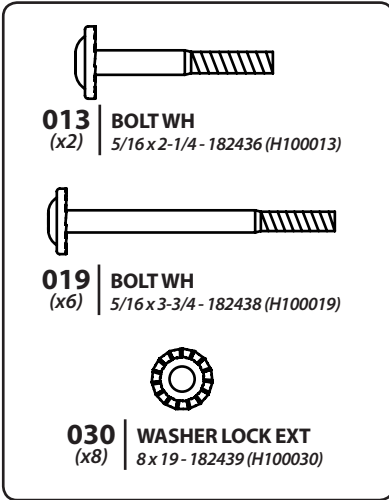
AD3 | UPPER DECK SUPPORT
(x1) | 30.210" (767,33mm) -182473 (W9406020)



J5 | LONG DECK BRACE
(x1) | 27.280" (692,91mm) -182477 (W9406024)



F2 | SLIDE SUPPORT
(x1) | 13.620" (345,9mm) -182479 (W9406026)



13

Square and level wood. Fully tighten all hardware except where noted.

Bois à l'équerre et à niveau. Serrez complètement tout le matériel.

Madera nivelada y formando ángulos rectos. Apriete por completo toda la tornillería.

Regolare e posizionare in piano il legno. Serrare completamente tutti i componenti.

Enquadre e nivele a madeira. Aperte totalmente todo o material.

Hout waterpas maken en nivelleren. Alle ijzerwaren volledig aandraaien.

Kwadratowe i poziome elementy drewniane. Całkowicie dokręcić wszystkie elementy osprzętu.

Vierkant- und Flachholz. Alle Beschläge fest anziehen.

保证木质结构横平竖直。完全拧紧所有五金件。

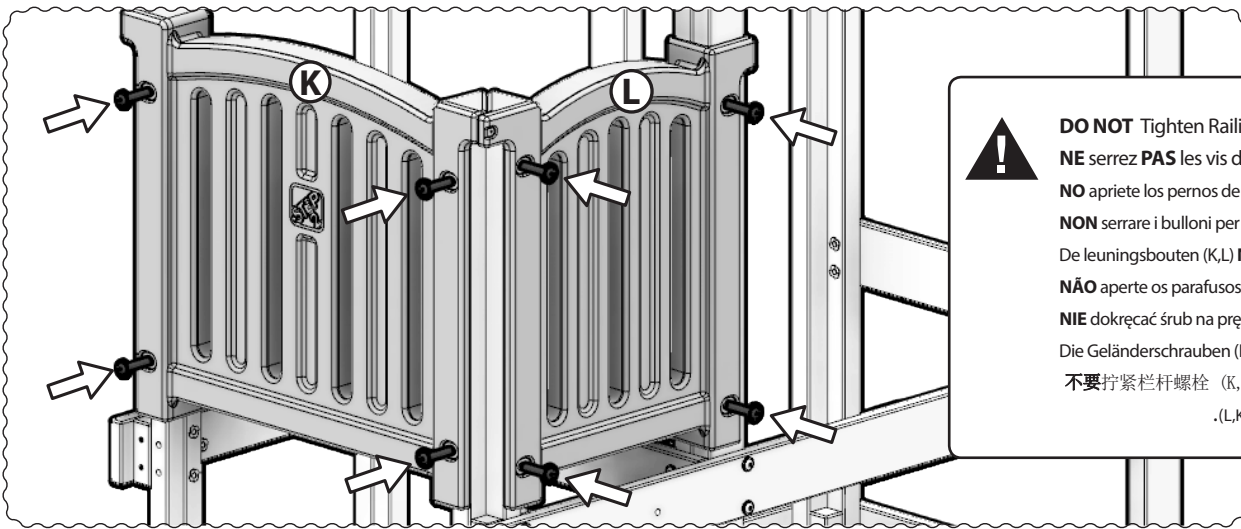
خشب مربع ومستو. اربط كل الأجزاء المعدنية بإحكام.



147 T-30 TORX BIT



042 T-40 TORX BIT



DO NOT Tighten Railing Bolts (K, L).

NE serrez **PAS** les vis de la balustrade (K,L).

NO apriete los pernos de los railtes (K, L).

NON serrare i bulloni per ringhiera (K, L).

De leuningsbouten (K,L) **NIET** aandraaien.

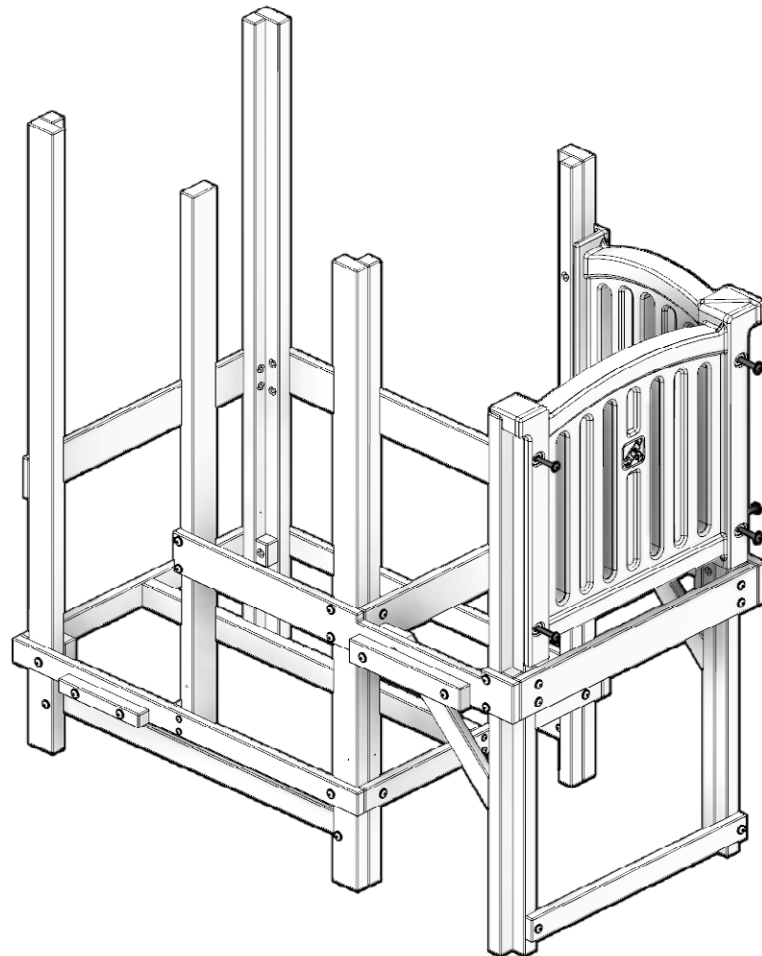
NÃO aperte os parafusos da calha (K, L).

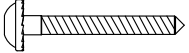
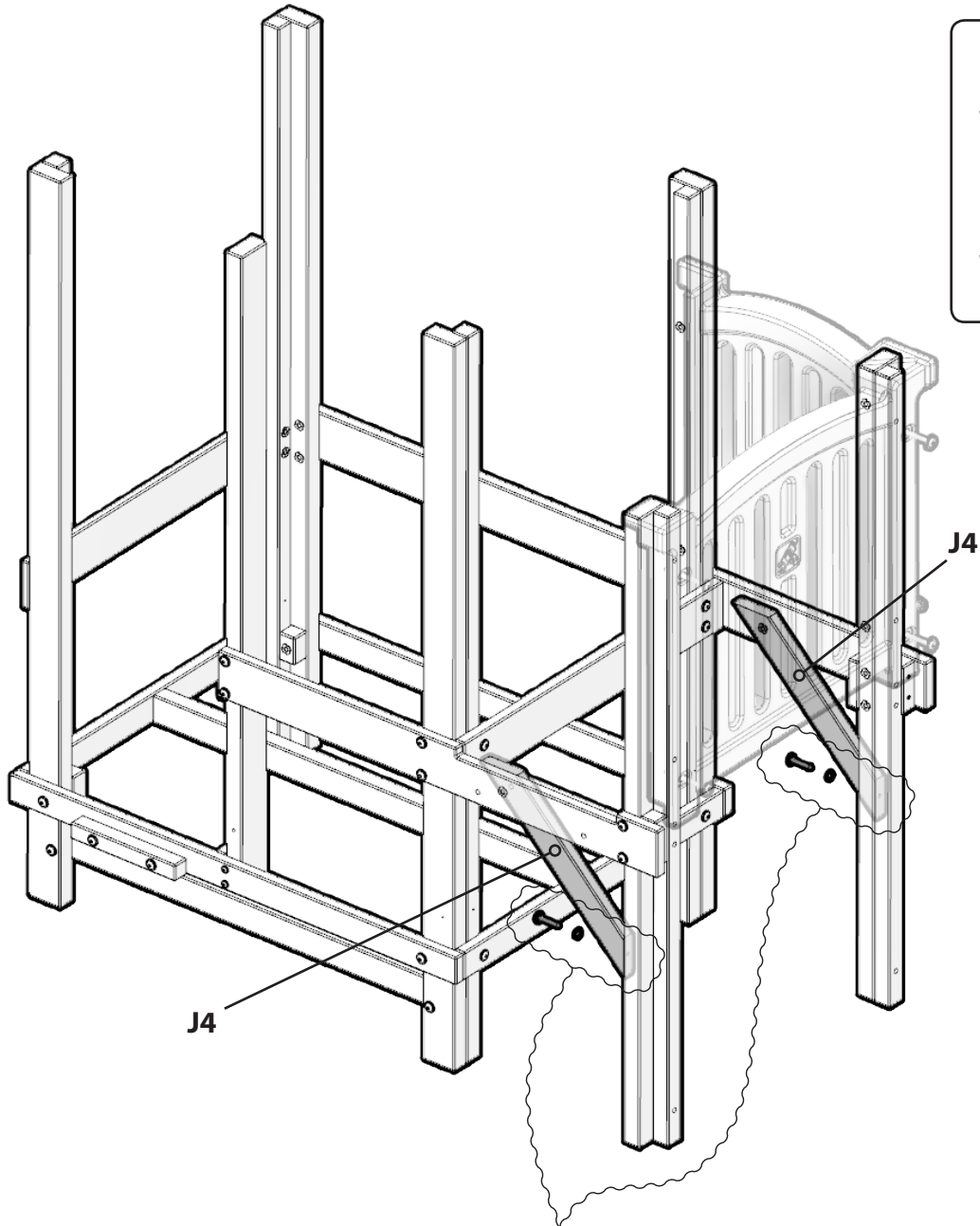
NIE dokręcać śrub na pręcie (K,L).

Die Geländerschrauben (K, L) **NICHT** festziehen.


不要 拧紧栏杆螺栓 (K, L)。

لا تربط صواميل السياج (L,K).

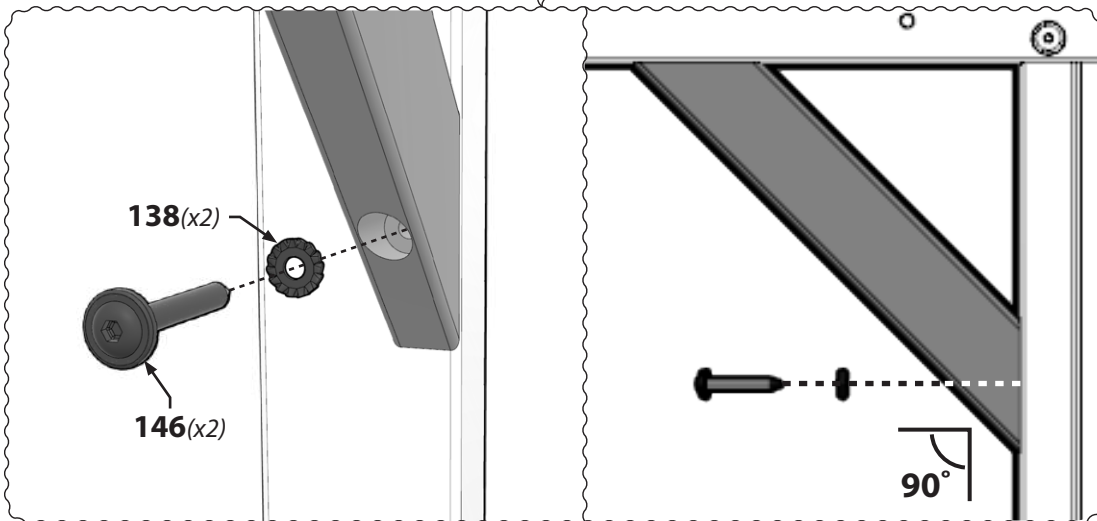




146 | LAG SCREW WH
(x2) | 1/4 x 2 - 182448 (H100146)



138 | WASHER LOCK EXT
(x2) | 6 x 15 - 182495 (H100138)



15



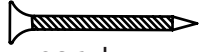
Flush / À ras / Coloque los componentes sin que sobresalgan / Livellare /
Nivelar / Verzonken in oppervlak / Wyrównać / Bündig / 齐平 / ضم



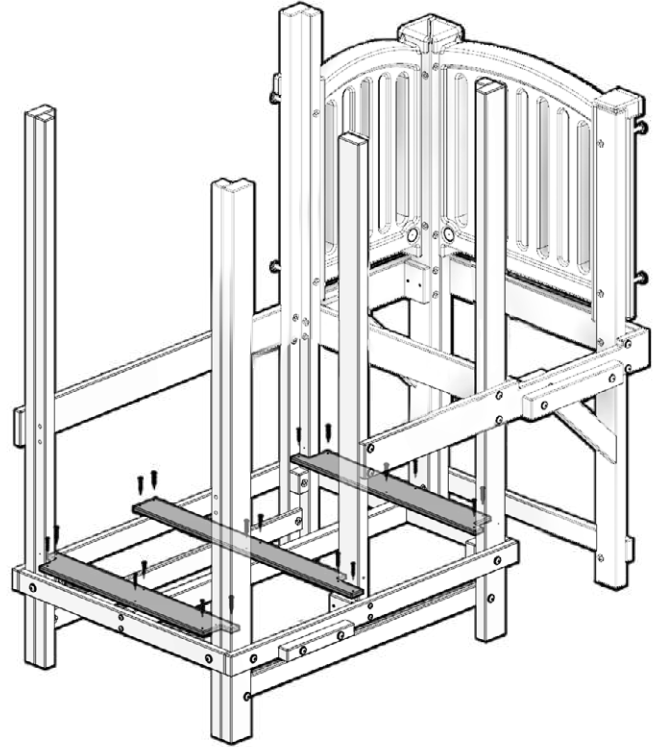
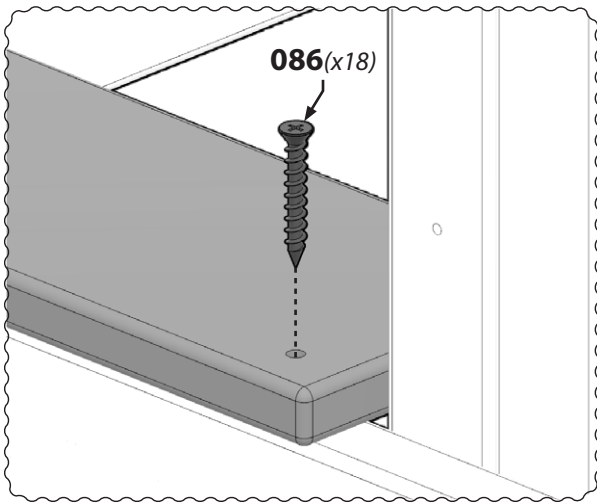
M7 | DECK BOARD NOTCHED
(x1) 32.162" (816,91mm) - 182486 (W9406033)



Y1 | DECK BOARD END
(x2) 27.180" (690,37mm) - 182465 (W9406012)

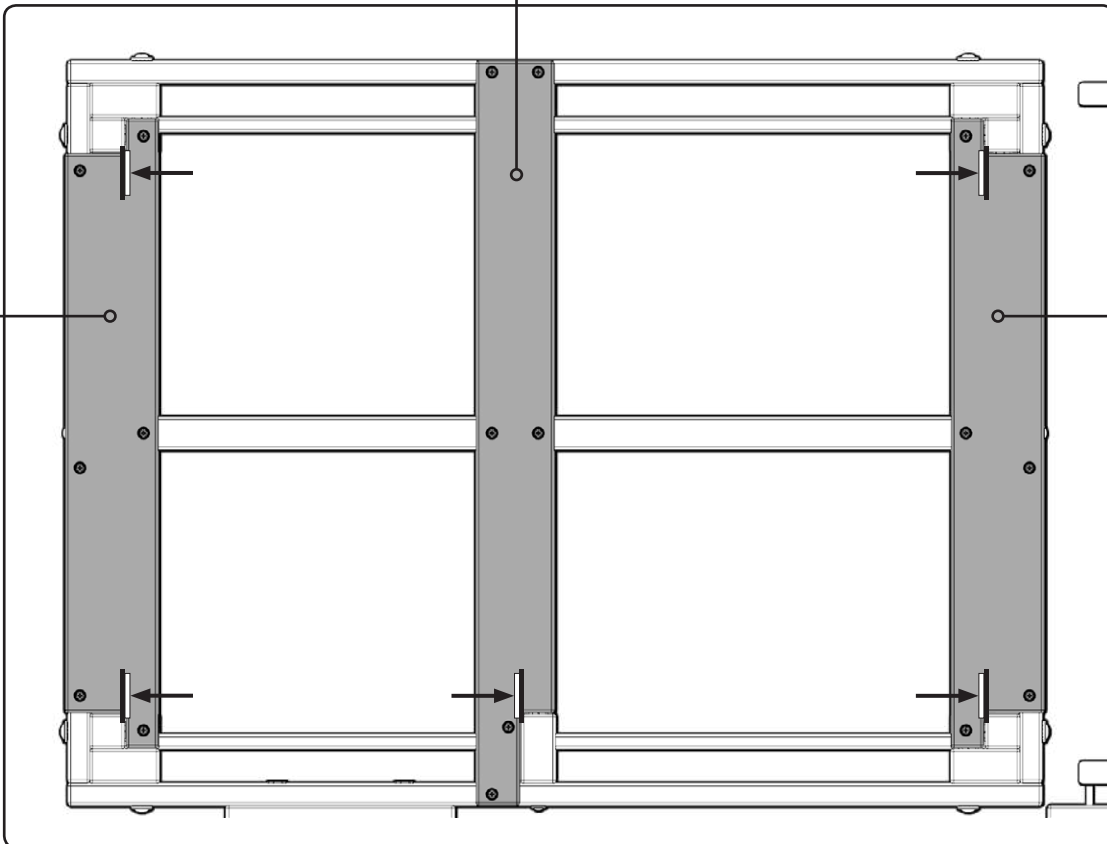


086 | SCREW PFW
(x18) 8x 1-1/2 - 182442 (H100086)



M7

Y1

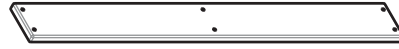


Y1

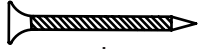
16



Space Evenly / Espacez uniformément / Mantenga distancias uniformes / Distribuire in modo piano /
 Espaçar uniformemente / Gelijkmatige tussenafstand aanhouden / Ułożyć w równych odstępach /
 Gleiche Abstände / 空间均匀 / اترك مسافات متساوية



M1 | DECK BOARD
 (x9) | 32.162" (816,91mm) - 182464 (W9406011)



086 | SCREW PFW
 (x54) | 8 x 1-1/2 - 182442 (H100086)



BOARD SPACING MUST NOT EXCEED 1/8" (3.175mm).

L'ESPACEMENT DES PLANCHES NE DOIT PAS DÉPASSER 3.175mm (1/8").

EL ESPACIO ENTRE TABLAS NO DEBE EXCEDER 3.175MM (1/8").

LA SPAZIATURA DELLA SCHEDA NON DEVE SUPERARE 3.175MM (1/8").

O ESPAÇAMENTO DA PLACA NÃO DEVE EXCEDER 3.175MM (1/8").

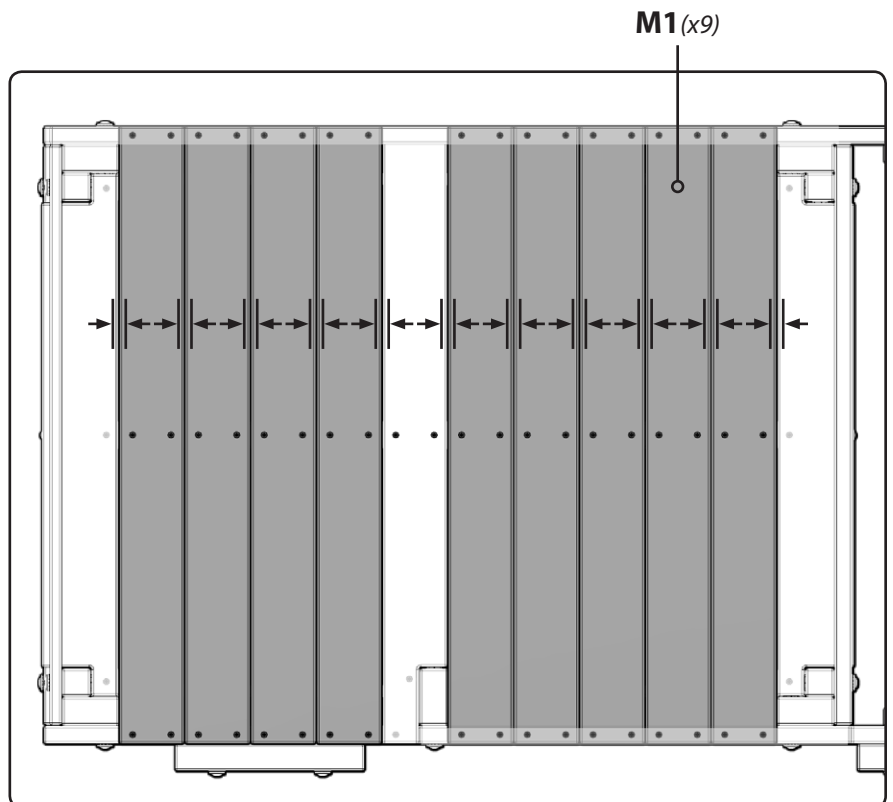
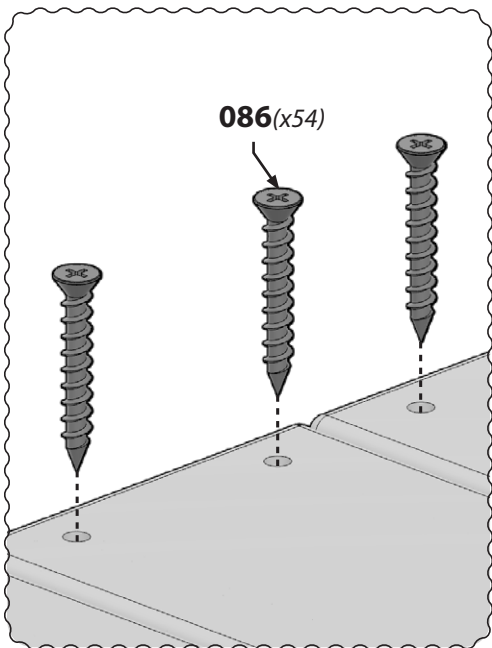
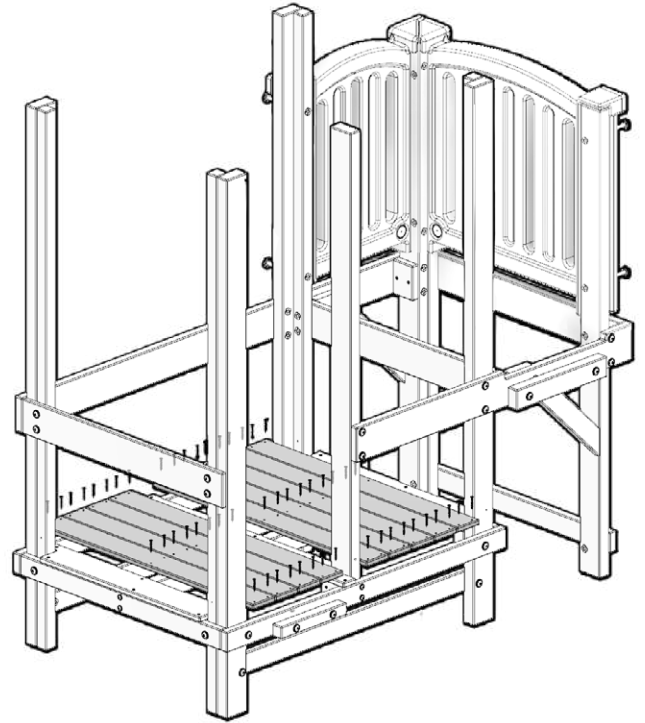
BOARD SPACING MAG NIET GROTER ZIJN DAN 3.175MM (1/8").

ROZSTAW PŁANSZY NIE MOŻE PRZEKROCYĆ 3.175MM (1/8").

BOARDABSTAND DARF NICHT ÜBERSCHREITEN 3.175MM (1/8").

电路板间距不得超过 3.175MM (1/8").

يجب ألا يتجاوز تباعد اللوحة 3.175MM (1/8").





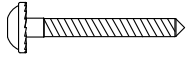
M3 | LOWER RAILING SIDE
(x2) 30.210" (767.33mm) -182467 (W9406014)



M4 | LOWER RAILING FRONT
(x1) 23.160" (588,26mm) -182468 (W9406015)



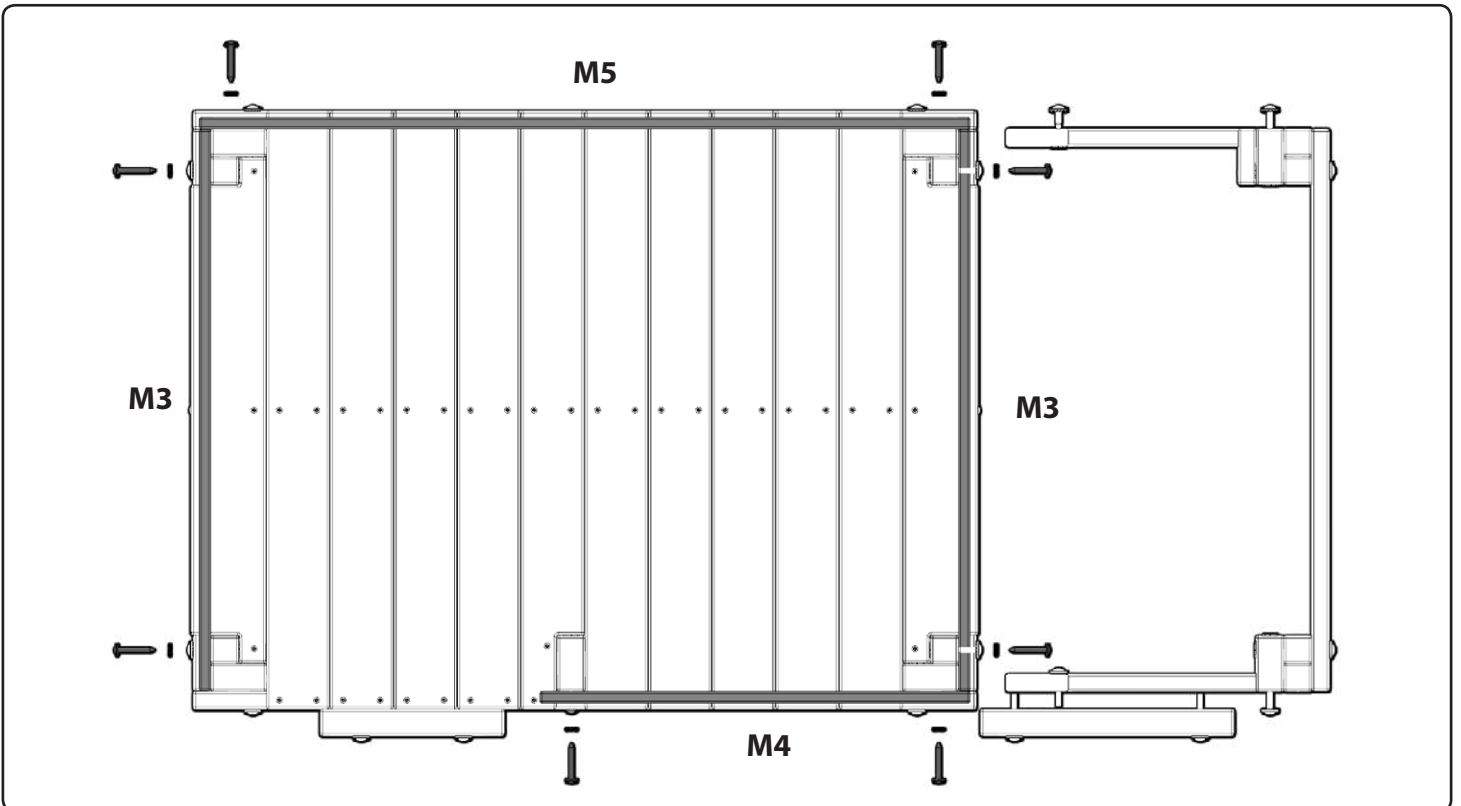
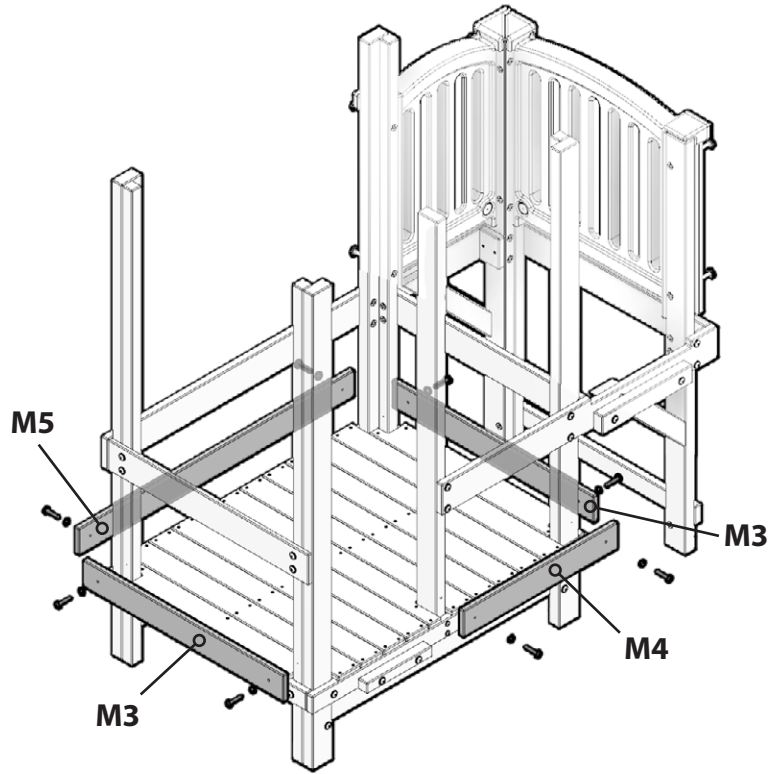
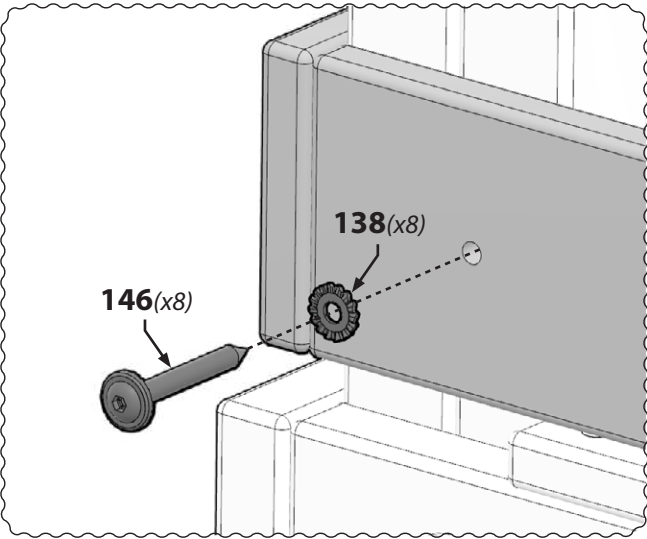
M5 | LOWER RAILING BACK
(x1) 41.480" (1053,59mm) -182469 (W9406016)



146 | LAG SCREW WH
(x8) 1/4x2 - 182448 (H100146)



138 | WASHER LOCK EXT
(x8) 6x15 -182495 (H100138)



18



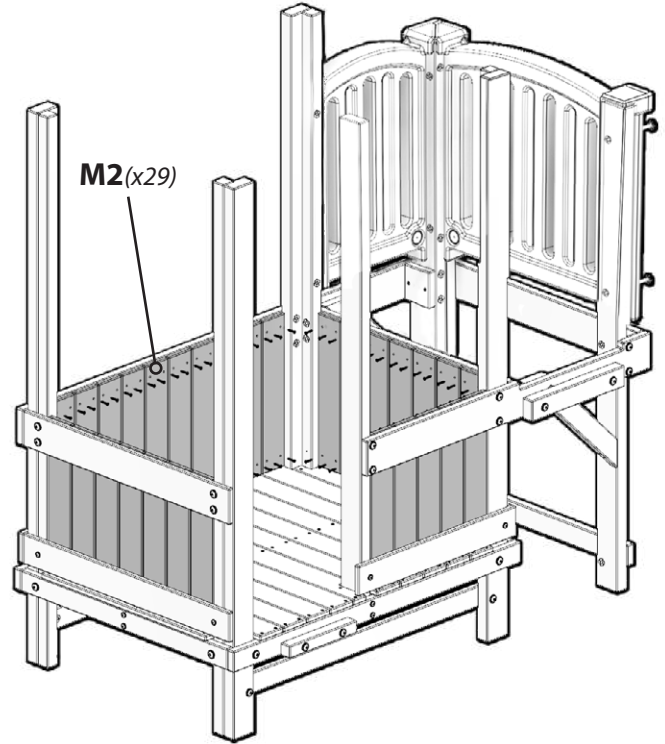
Space Evenly / Espacez uniformément / Mantenga distancias uniformes / Distribuire in modo piano /
 Espaçar uniformemente / Gelijkmatige tussenafstand aanhouden / Ułożyć w równych odstępach /
 Gleiche Abstände / 空间均匀 / اترك مسافات متساوية



M2 | RAILING BOARD
 (x29) | 17.250" (438,15mm) -182466 (W9406013)



088 | SCREW PFW
 (x116) | 8x1-1/8-182443 (H100088)



BOARD SPACING MUST NOT EXCEED 1/8" (3.175mm).

L'ESPACEMENT DES PLANCHES NE DOIT PAS DÉPASSER 3.175mm (1/8").

EL ESPACIO ENTRE TABLAS NO DEBE EXCEDER 3.175MM (1/8").

LA SPAZIATURA DELLA SCHEDA NON DEVE SUPERARE 3.175MM (1/8").

O ESPAÇAMENTO DA PLACA NÃO DEVE EXCEDER 3.175MM (1/8").

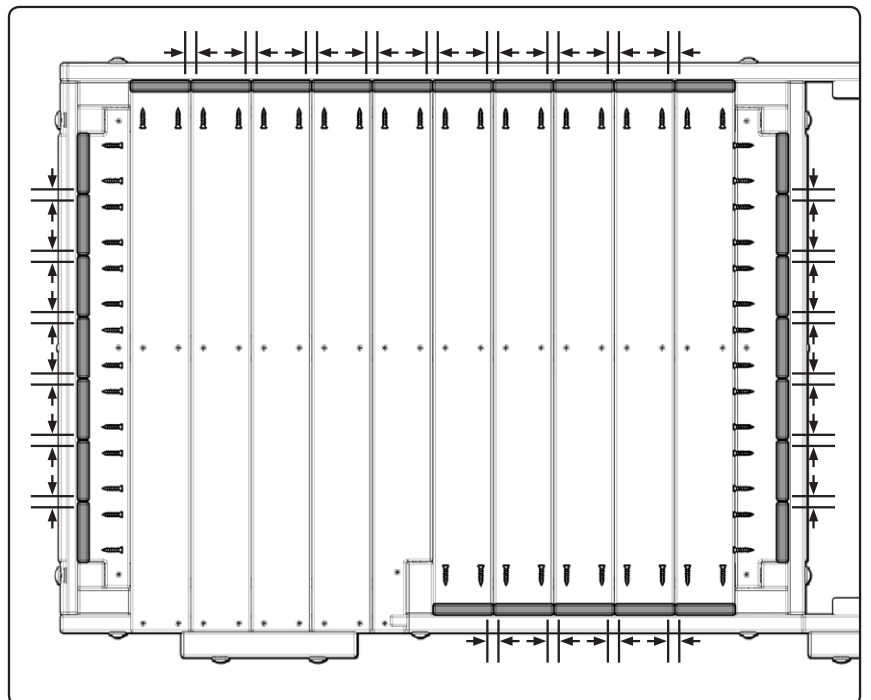
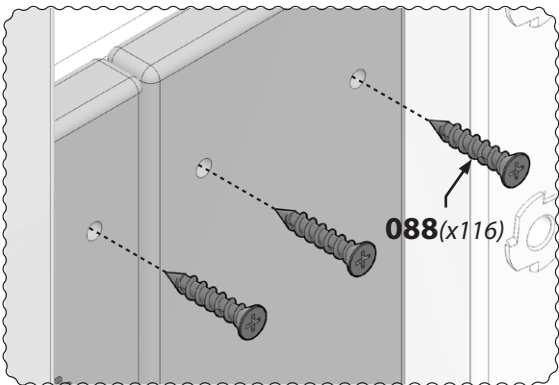
BOARD SPACING MAG NIET GROTER ZIJN DAN 3.175MM (1/8").

ROZSTAW PŁANSZY NIE MOŻE PRZEKROCYĆ 3.175MM (1/8").

BOARDABSTAND DARF NICHT ÜBERSCHREITEN 3.175MM (1/8").

电路板间距不得超过 3.175MM (1/8").

يجب ألا يتجاوز تباعد اللوحة 3.175MM (1/8").

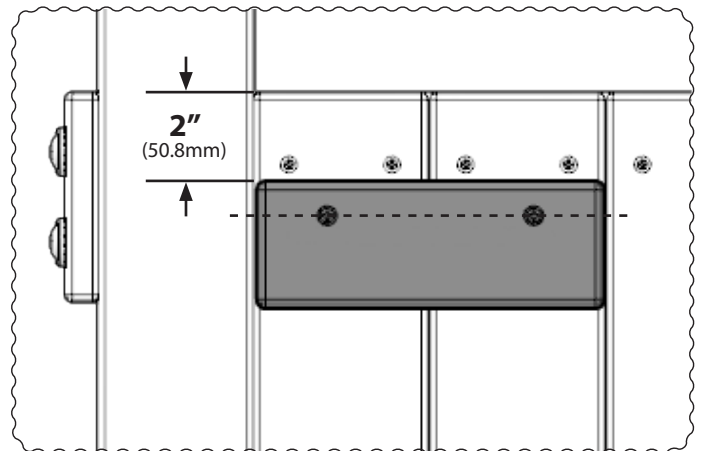
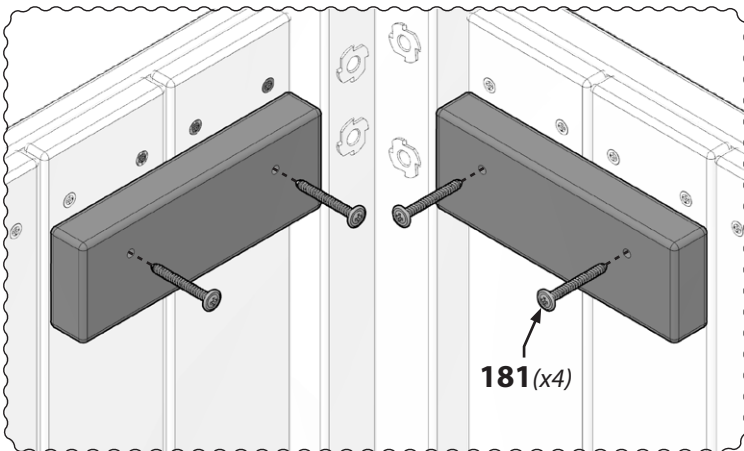
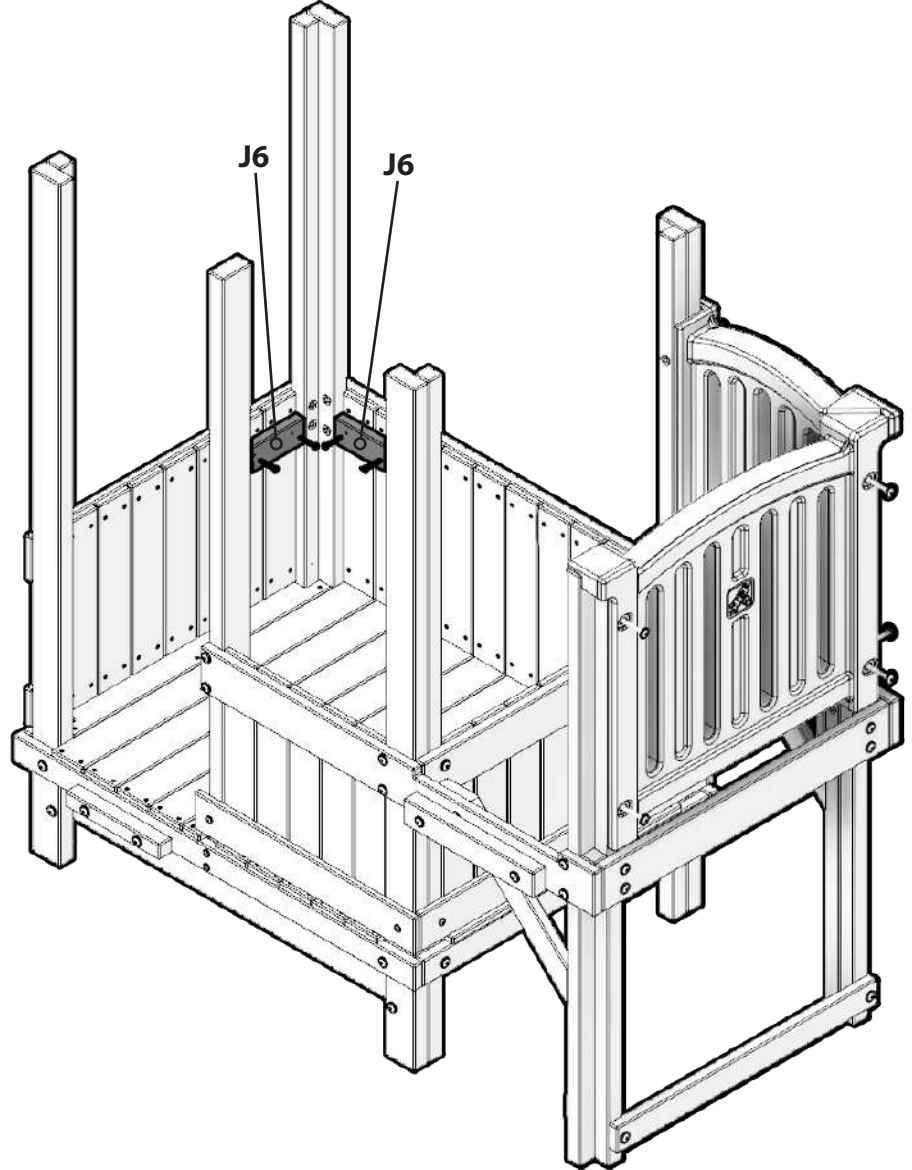




J6 | SINK BRACE
(x2) | 6.625" (168,28mm) - 182481 (W9406028)



181 | SCREW PWH
(x4) | 8 x 1-5/8 - 182496 (H100181)



REMOVE RAILING (K,L) before starting step 21.

DÉPOSEZ LA BALUSTRADE (K,L) avant de commencer l'étape 21.

RETIRE LOS RAÍLES (K, L) antes de comenzar con el paso 21.

RIMUOVERE LA RINGHIERA (K, L) prima di iniziare la fase 21.

LEUNING (K,L) voorafgaand aan stap 21 **VERWIJDEREN**.

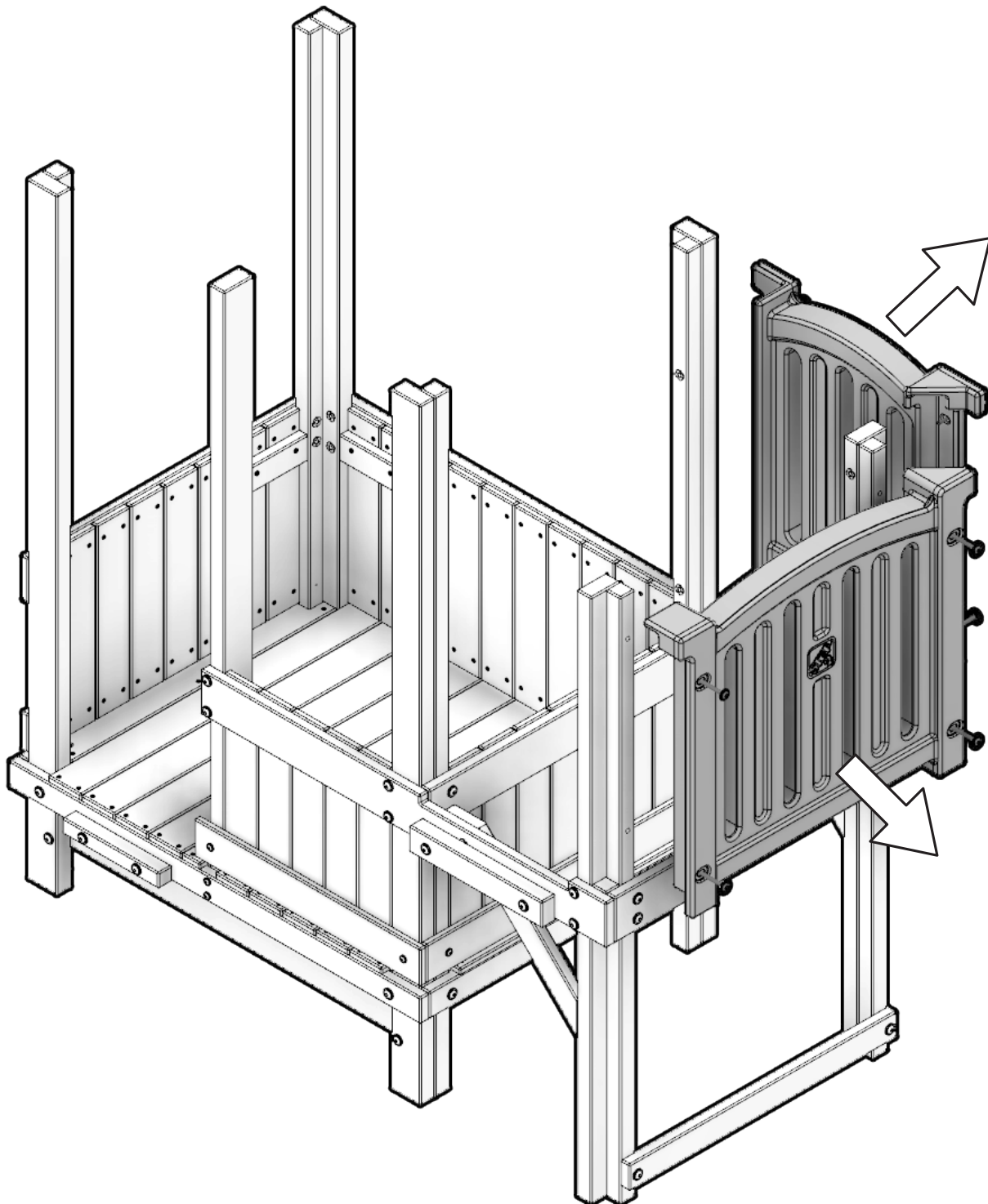
REMOVA A CALHA (K, L) antes de iniciar o passo 21.

USUNĄĆ PRĘT (K,L) przed przystąpieniem do czynności kroku 21.

Das Geländer (K, L) vor dem Beginn von Schritt 21 **ABNEHMEN**.

在开始步骤 21 之前拆除栏杆 (K, L)。

قم بإزالة السياج (L,K) قبل البدء في الخطوة ٢١.



21



Space Evenly / Espacez uniformément / Mantenga distancias uniformes / Distribuire in modo piano / Espaçar uniformemente / Gelijkmatige tussenafstand aanhouden / Ułożyć w równych odstępach / Gleiche Abstände / 空间均匀 / اترك مسافات متساوية



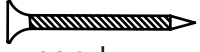
Flush / À ras / Coloque los componentes sin que sobresalgan / Livellare / Nivelar / Verzonken in oppervlak / Wyrównać / Bündig / 齐平 / ضم



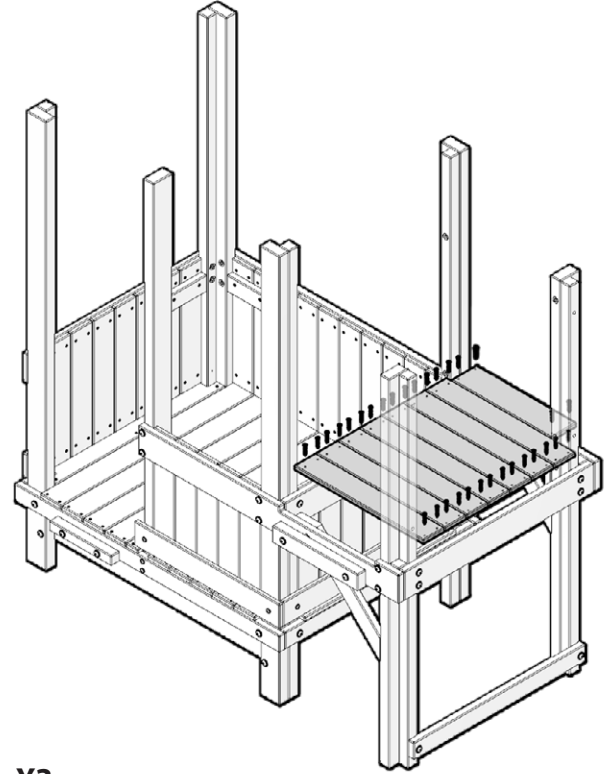
Y3 DECK BOARD END 2
(x1) 15.880" (403,35mm) - 182475 (W9406022)



M6 UPPER DECK BOARD
(x7) 20.575" (522,61mm) - 182474 (W9406021)



086 SCREW PFW
(x32) 8x 1-1/2 - 182442 (H100086)



BOARD SPACING MUST NOT EXCEED 1/8" (3.175mm).

L'ESPACEMENT DES PLANCHES NE DOIT PAS DÉPASSER 3.175mm (1/8").

EL ESPACIO ENTRE TABLAS NO DEBE EXCEDER 3.175MM (1/8").

LA SPAZIATURA DELLA SCHEDA NON DEVE SUPERARE 3.175MM (1/8").

O ESPAÇAMENTO DA PLACA NÃO DEVE EXCEDER 3.175MM (1/8").

BOARD SPACING MAG NIET GROTER ZIJN DAN 3.175MM (1/8").

ROZSTAW PŁANSZY NIE MOŻE PRZEKROCZYĆ 3.175MM (1/8").

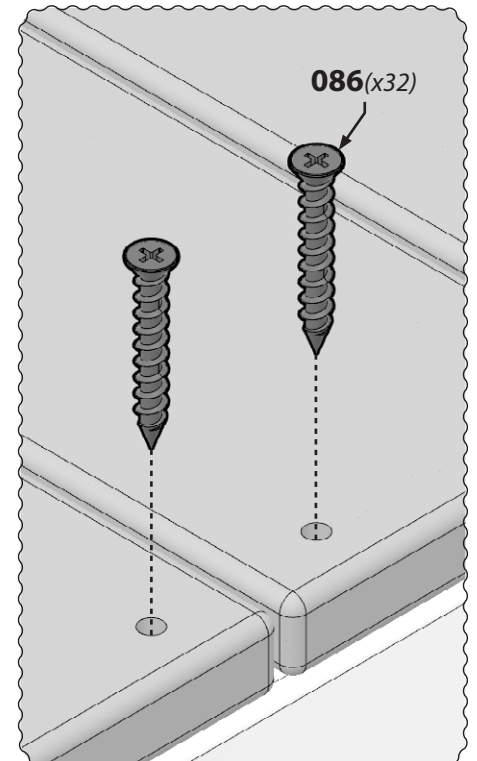
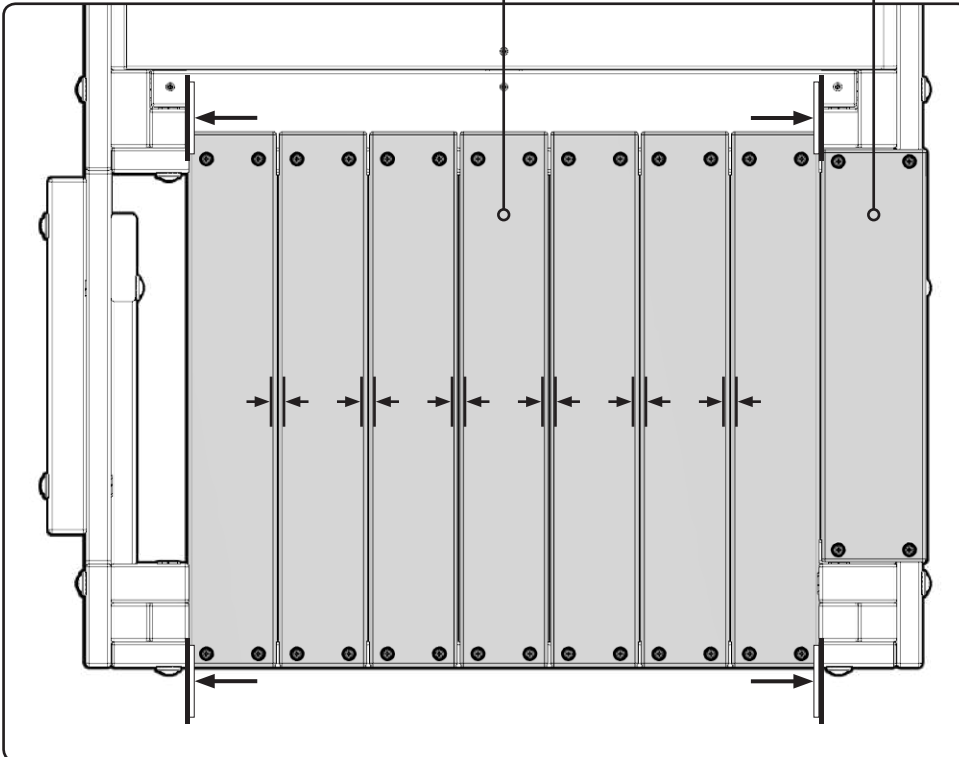
BOARDABSTAND DARF NICHT ÜBERSCHREITEN 3.175MM (1/8").

电路板间距不得超过 3.175MM (1/8").

يجب ألا يتجاوز تباعد اللوحة 3.175MM (1/8").

M6(x7)

Y3

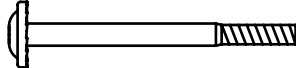


22

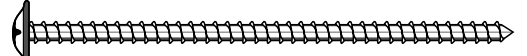
Fully tighten / **Serrez bien** / Apriete por completo / Serrare completamente / Volledig aandraaien / Aperte totalmente / Całkowicie dokręcić / Fest anziehen / 完全拧紧 / اربط بإحكام



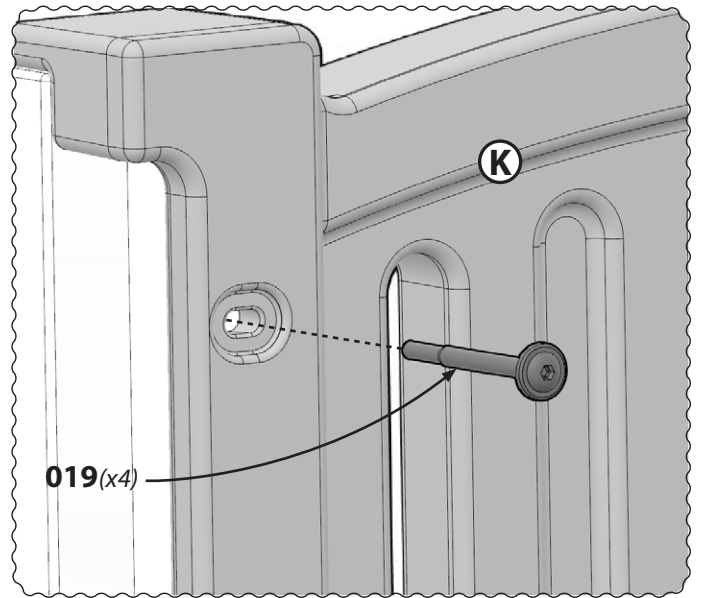
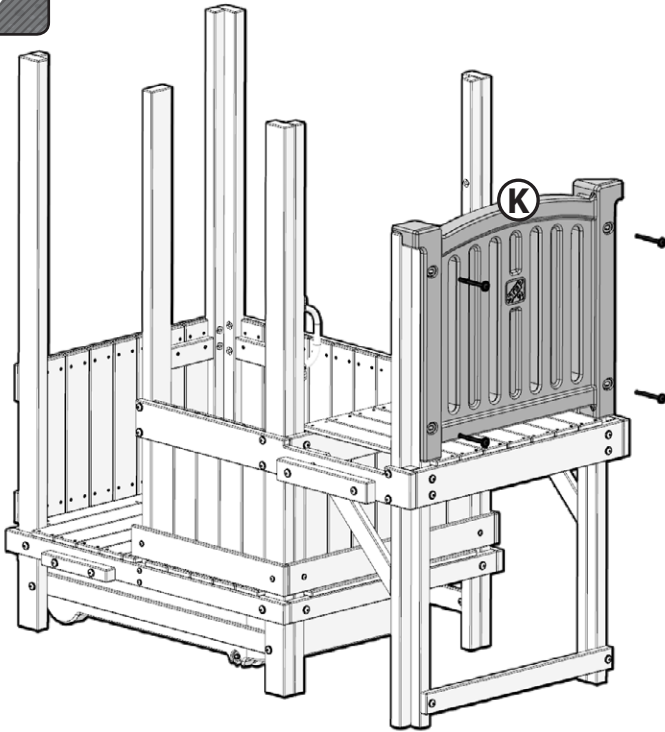
(K) SIDE RAILING
134318



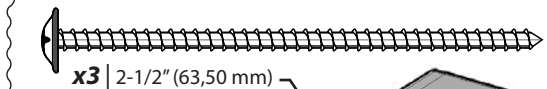
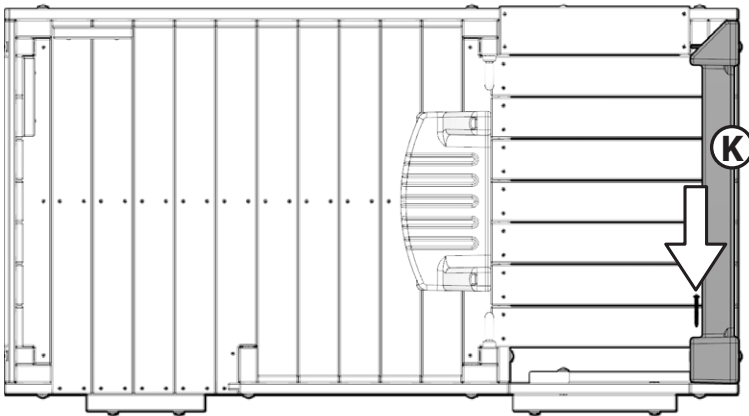
019 BOLT WH
(x4) 5/16 x 3-3/4 - 182438 (H100019)



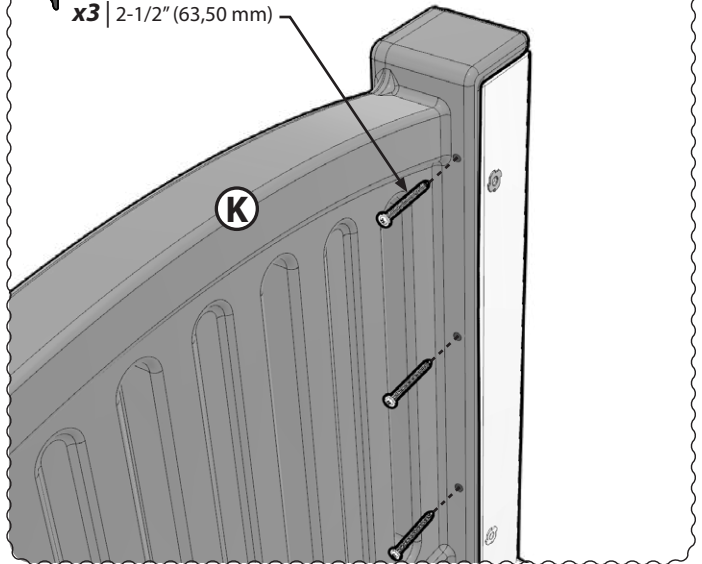
x3 | 2-1/2" (63,50 mm)



019(x4)



x3 | 2-1/2" (63,50 mm)

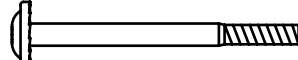


23

Fully tighten / Serrez bien / Apriete por completo / Serrare completamente / Volledig aandraaien / Aperte totalmente / Całkowicie dokręcić / Fest anziehen / 完全拧紧 / إربط بإحكام.



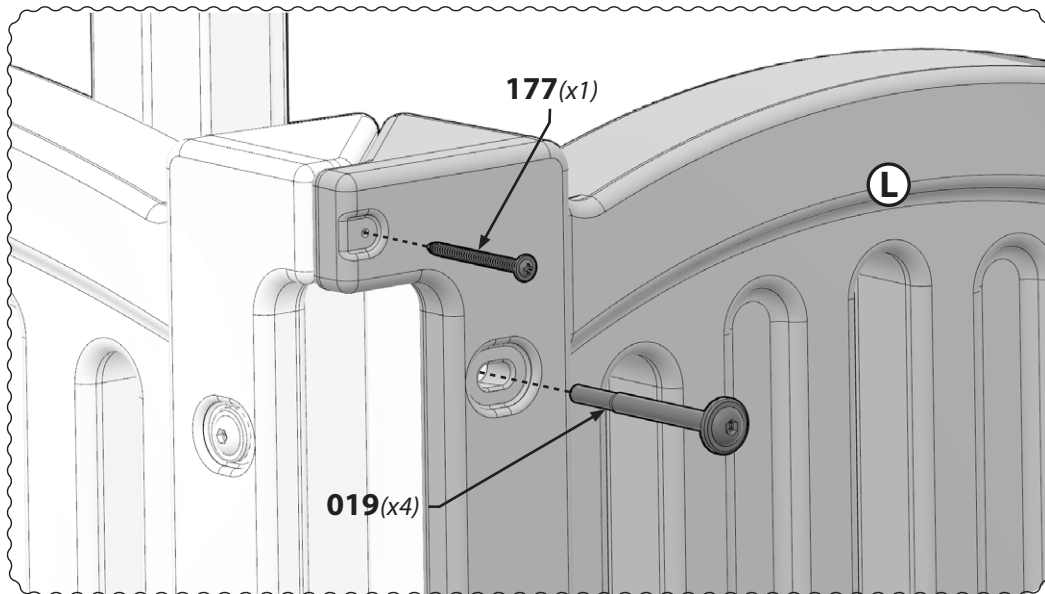
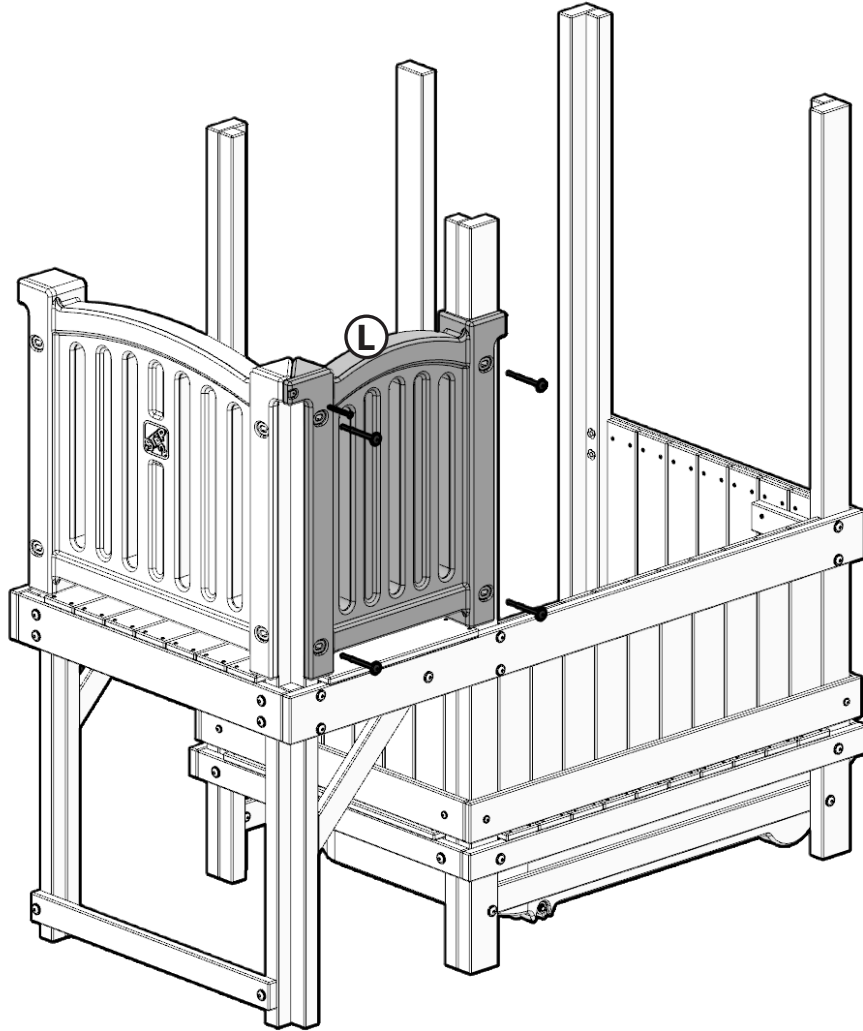
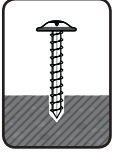
(L) BACK RAILING
134319

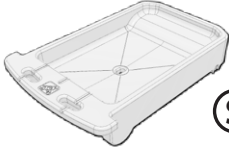


019 BOLT WH
(x4) 5/16x3-3/4 - 182438 (H100019)



177 LAG SCREW PH
(x1) 10x2-1/2 - 182449 (H100177)





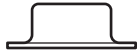
S STORAGE BOX
134337



T_{x2} STORAGE BOX ROLLER
134338



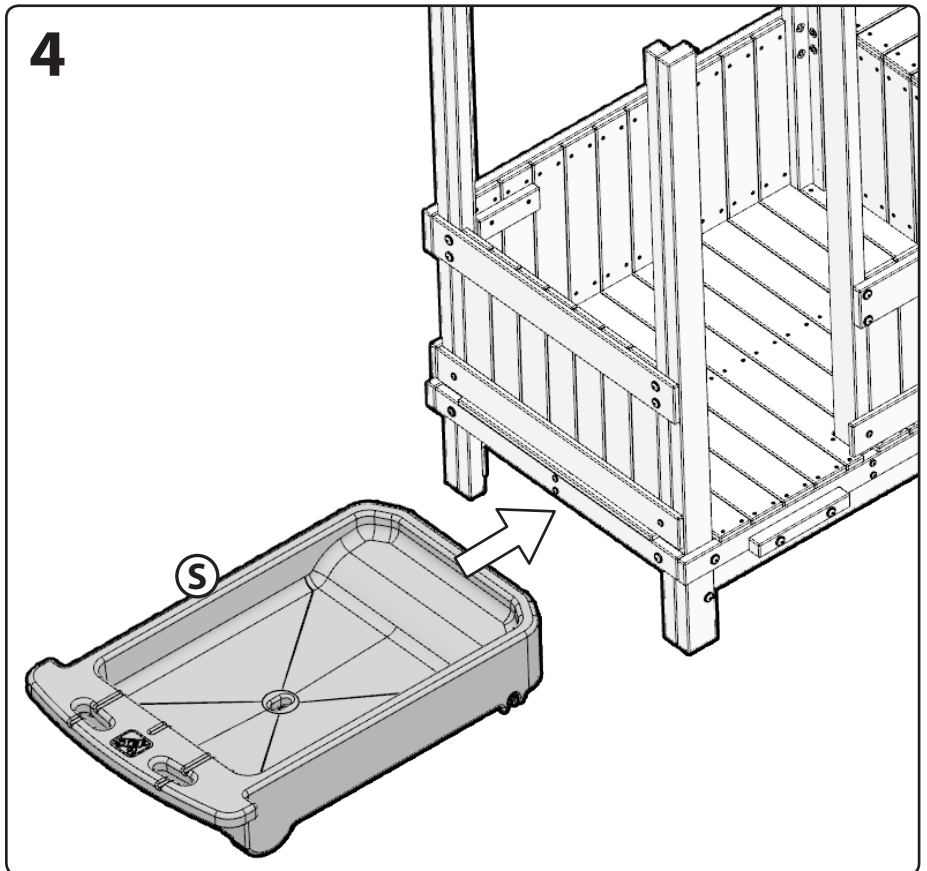
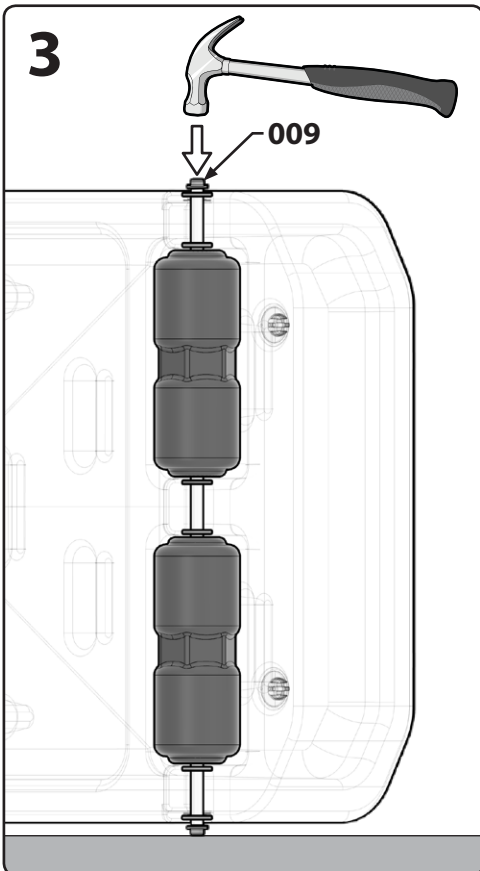
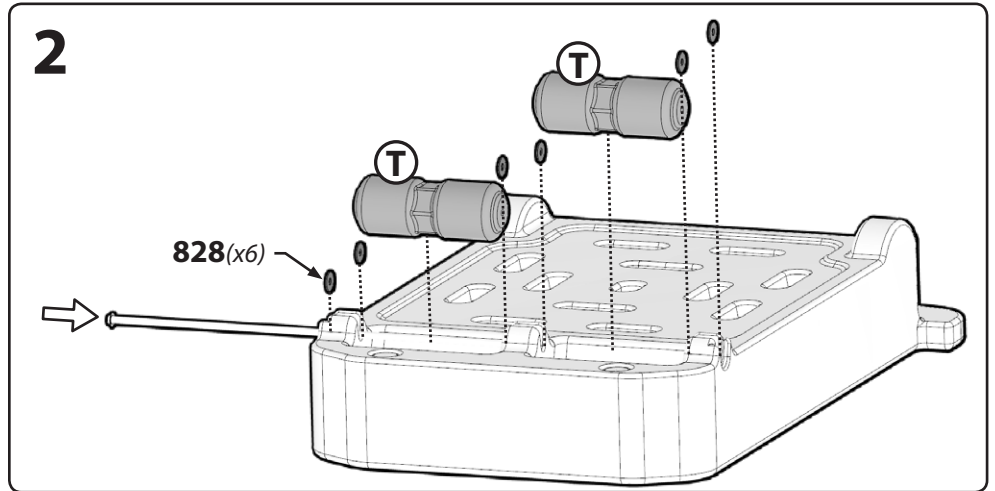
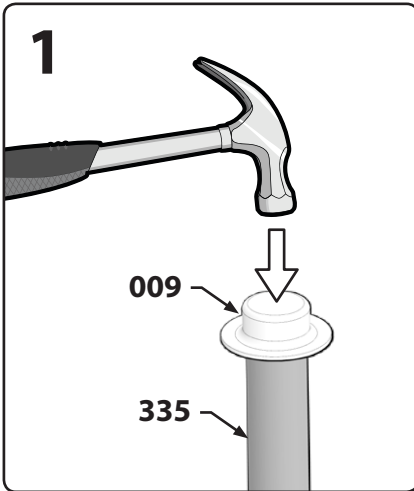
828 WASHER FLAT
(x6) 3/8x1 - 180828



009 CAPNUT
(x2) 3/8 - 180009

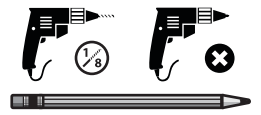


335 AXLE
(x1) 3/8x22-3/8- 170335

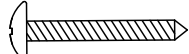


25

Use Hand Grip to mark and drill pilot holes. / Utilisez la poignée pour marquer et percer des trous de guidage.
/ Utilice el marco de mano para marcar y taladrar los agujeros guía. / Usare l'impugnatura per contrassegnare e praticare i fori pilota. / Utilize uma pega para assinalar e perfurar os furos piloto. / Gebruik de handgreep om geleidingsgaten te markeren en te boren. / Użyć uchwyty ręczne, aby zaznaczyć i wywiercić otwory pilotażowe. / Handgriff zur Markierung und Bohrung von Führungsbohrungen benutzen. / 使用手柄标记并钻取导向孔。 / استخدم قبضة اليد لتمييز وثقب الفتحات الدليلية.



Wx2 | **HAND GRIP**
182450 (A100043)



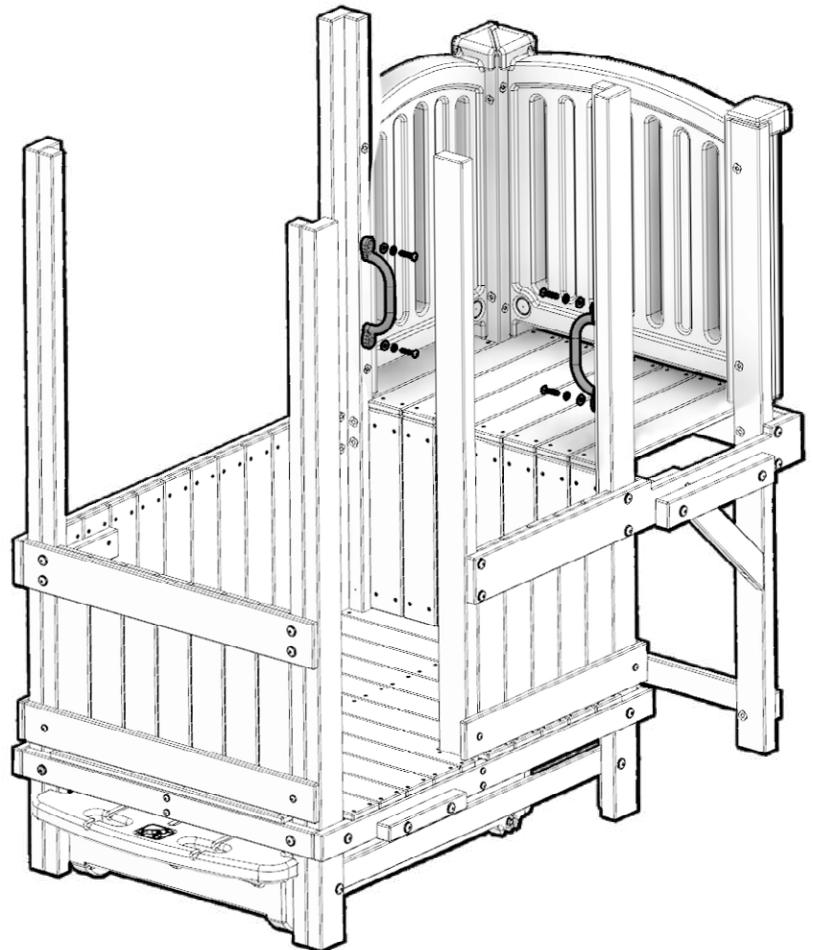
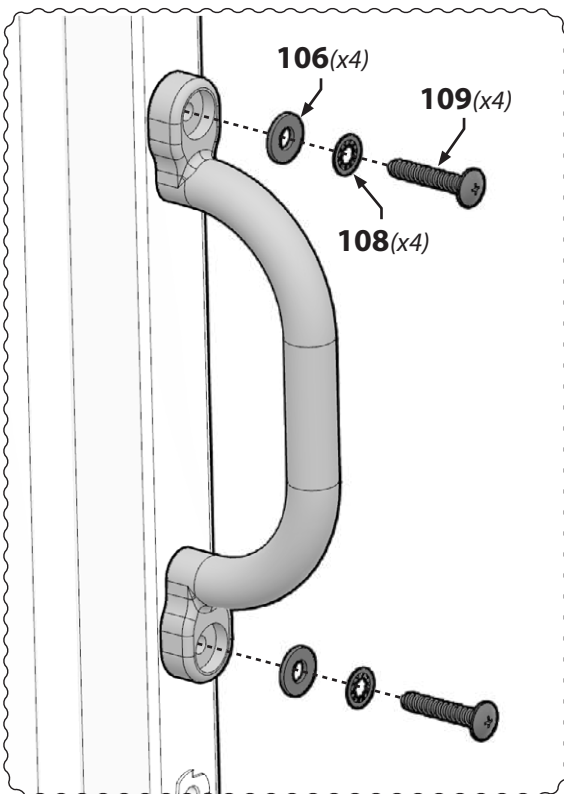
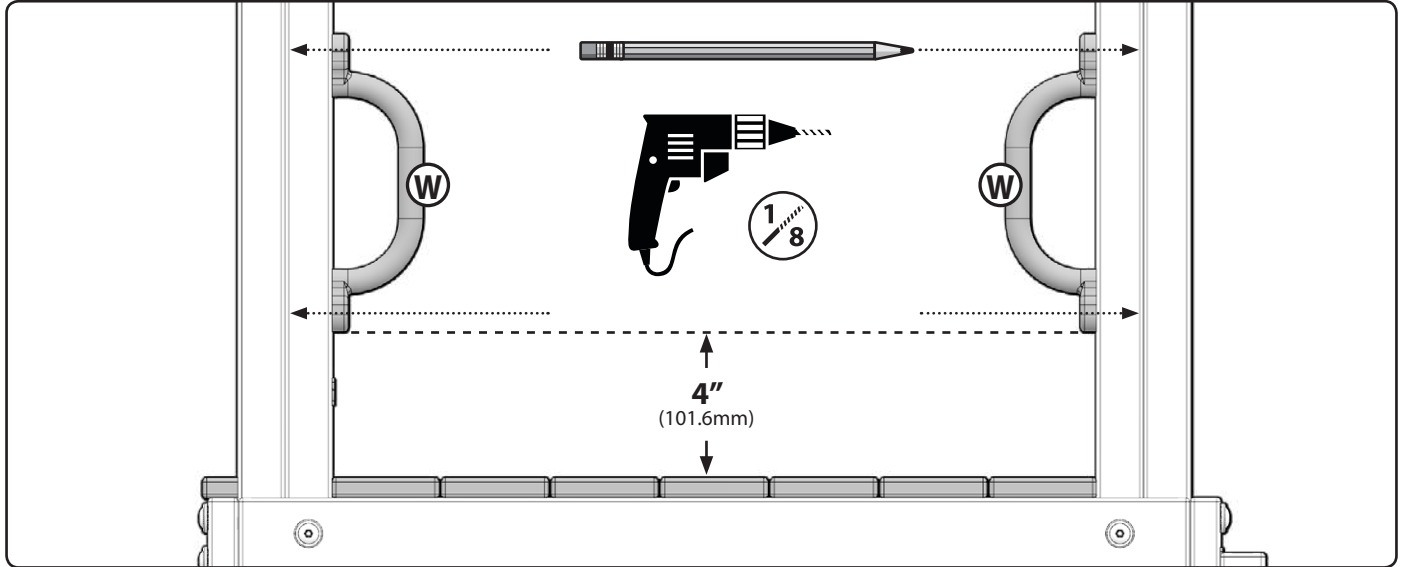
109 | **SCREW TAPPING**
(x4) | 14 x 1-1/2 - 182447 (H100109)

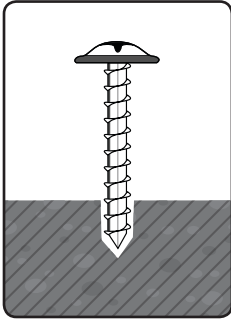


108 | **WASHER LOCK INT**
(x4) | 9 x 15 - 182446 (H100108)



106 | **WASHER FLAT**
(x4) | 9 x 18 - 182445 (H100106)





For steps 26-28, 30-31 drive screws 1/4 inch (6.35mm) into plastic before putting into place.

Pour les étapes 26-28, 30-31, vissez-le à l'aide de plastique de 6,35 mm (1/4 po) avant de le mettre en place.

Para los pasos 26-28, 30-31 atornille 1/4 de pulgada (6.35 mm) en el plástico antes de colocarlo en su lugar.

Per i passaggi 26-28, 30-31 viti di azionamento da 1/4 di pollice (6,35 mm) in plastica prima di posizionarle.

Voor de stappen 26-28, 30-31, draait u schroeven 1/4 inch (6,35 mm) in plastic voordat u ze op hun plaats zet.

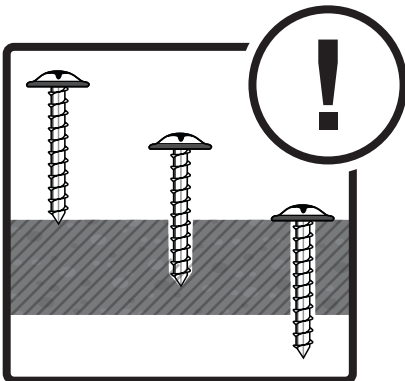
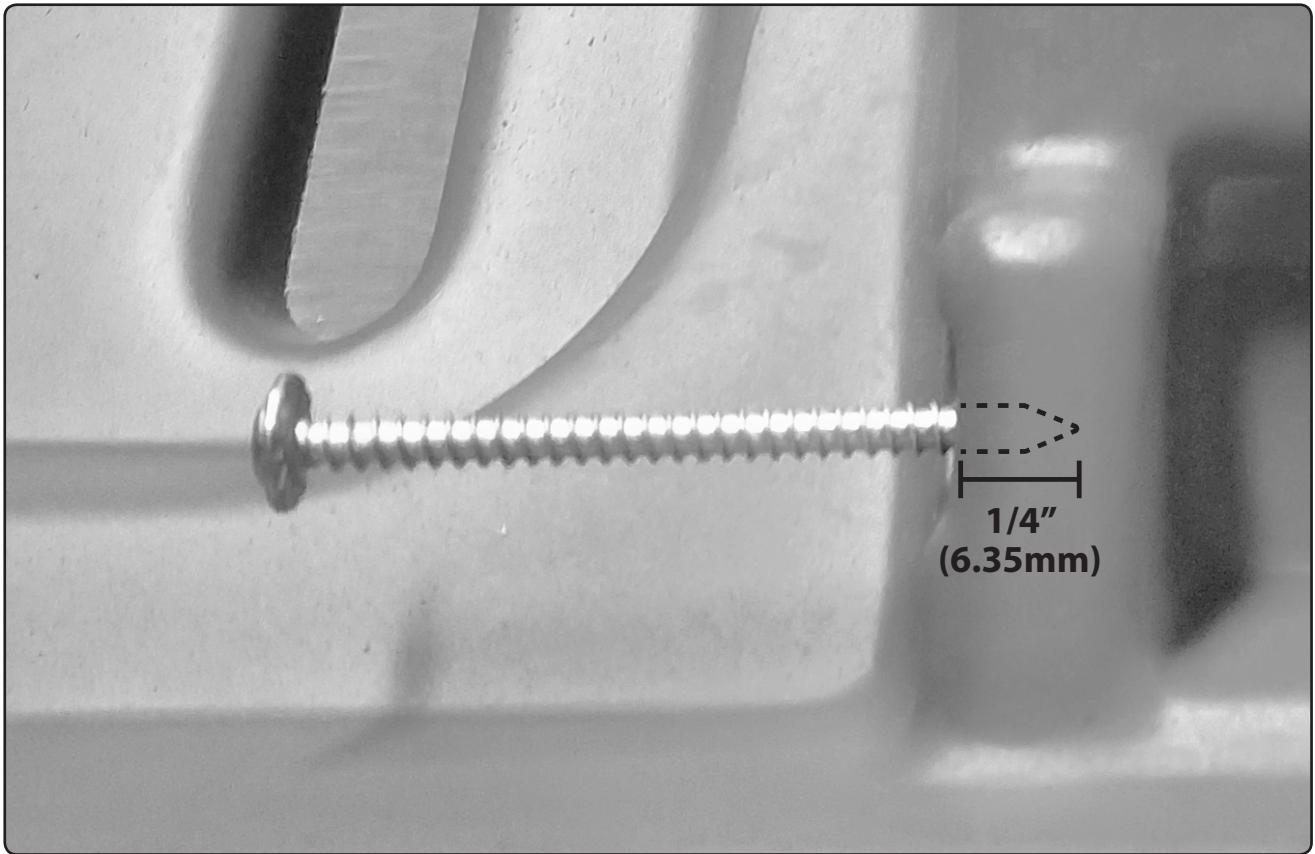
Para as etapas 26-28, 30-31, coloque os parafusos de 1/4 pol (6,35 mm) em plástico antes de colocá-los no lugar.

W przypadku kroków 26-28, 30-31 wkręcić śruby napędowe o średnicy 1/4 cala (6,35 mm) w tworzywo sztuczne przed włożeniem na miejsce.

Für die Schritte 26-28, 30-31 schrauben Sie die Schrauben vor dem Einsetzen in Kunststoff 6,35 mm (6,35 mm) ein.

对于步骤 26-28, 30-31, 在安装到位之前, 将1/4英寸 (6.35mm) 的螺钉拧入塑料中。

للخطوات 26-28, مسامير محرك 1/4-30 بوصة (6.35 ملم) في البلاستيك قبل وضعها في مكانها.



PLEASE NOTE: Product has no holes, Screws form their own. Apply pressure.

VEUILLEZ NOTER : Le produit n'a pas de trou. Les vis formeront leur propre trou. Visser en appuyant.

POR FAVOR, TENGA EN CUENTA QUE: El producto no tiene orificios. Los tornillos forman sus propios orificios. Ejerza presión.

NOTA: sul prodotto non sono presenti fori. Le viti sono autofilettanti. Applicare pressione.

ATTENTIE: Dit product is niet voorzien van schroefgaten. De schroeven vormen hun eigen gaten. Druk uitoefenen.

TENHA EM ATENÇÃO: O produto não tem furos. Os parafusos são autorroscantes. Aplicar pressão.

UWAGA: Produkt nie zawiera otworów. Otwory tworzą śrubki. Należy je dociskać.

BITTE BEACHTEN: Das Produkt hat keine Bohrungen. Die Schrauben drehen sich ohne Bohrung ein. Druck anwenden.

请注意: 产品无孔。需要钻孔。施加压力。

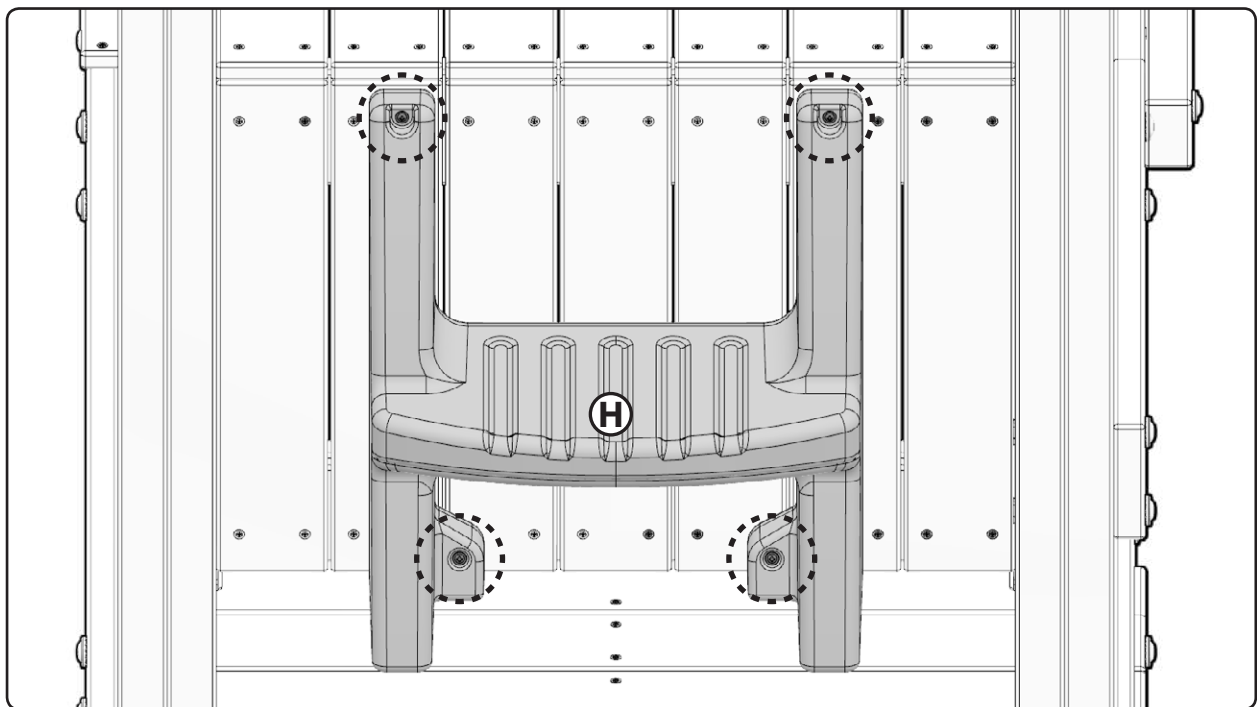
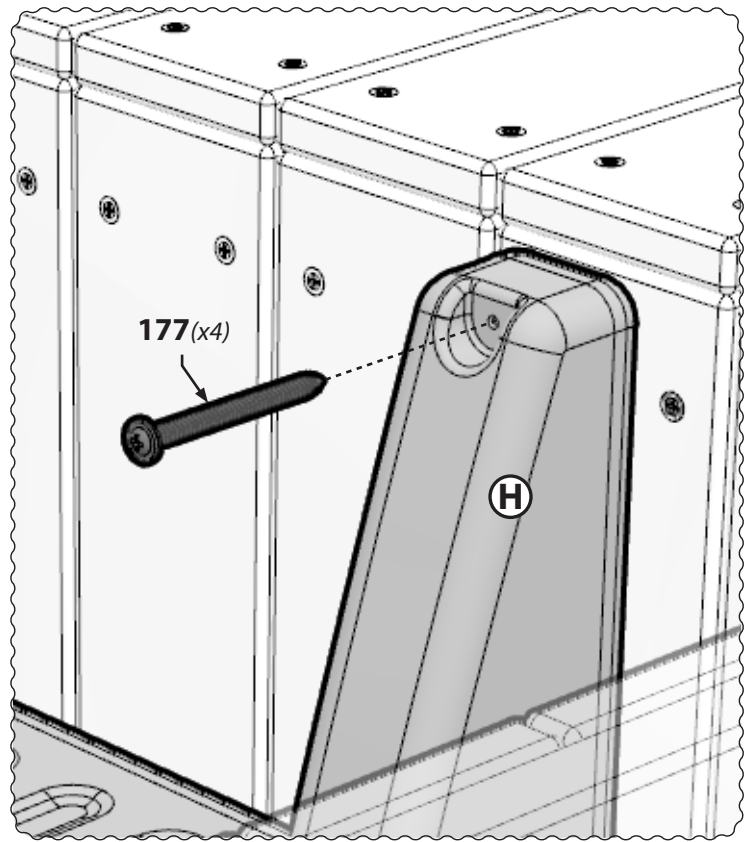
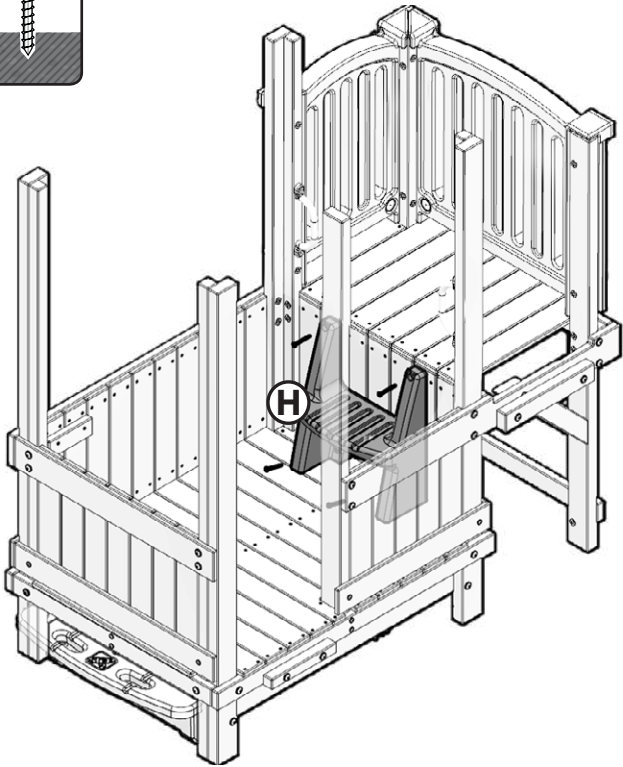
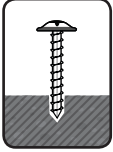
يرجى ملاحظة أنه: لا توجد ثقوب بالمنتج. تفتح المسامير الثقوب الخاصة بها. اضغط.



(H) STEP
134336



177 LAG SCREW PH
(x4) 10 x 2-1/2 - 182449 (H100177)





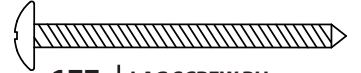
G SINK
134335



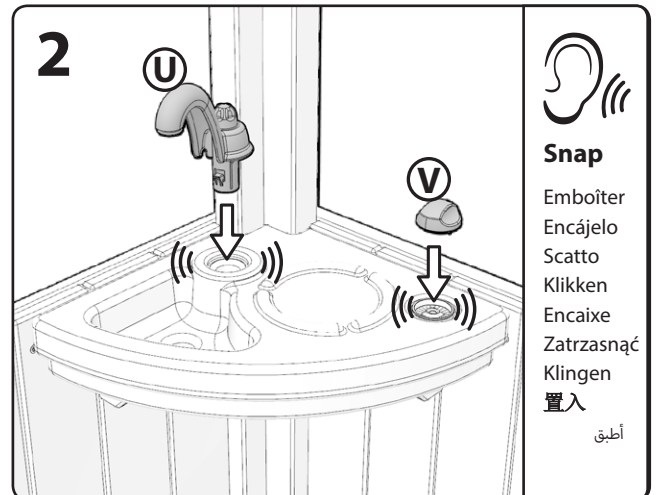
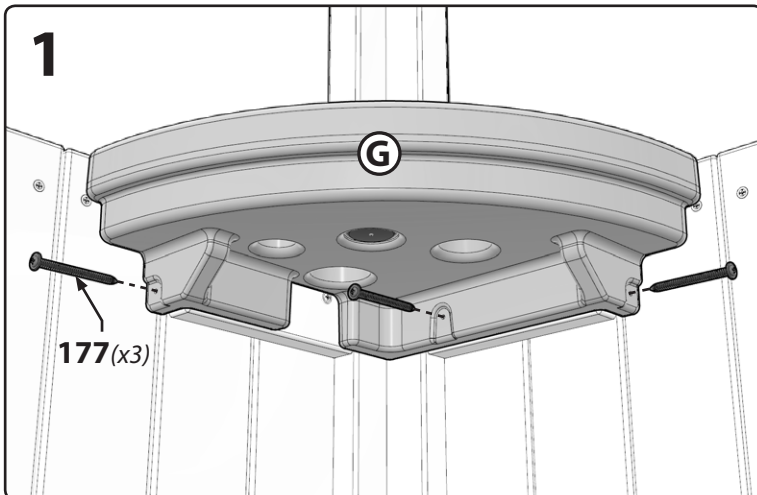
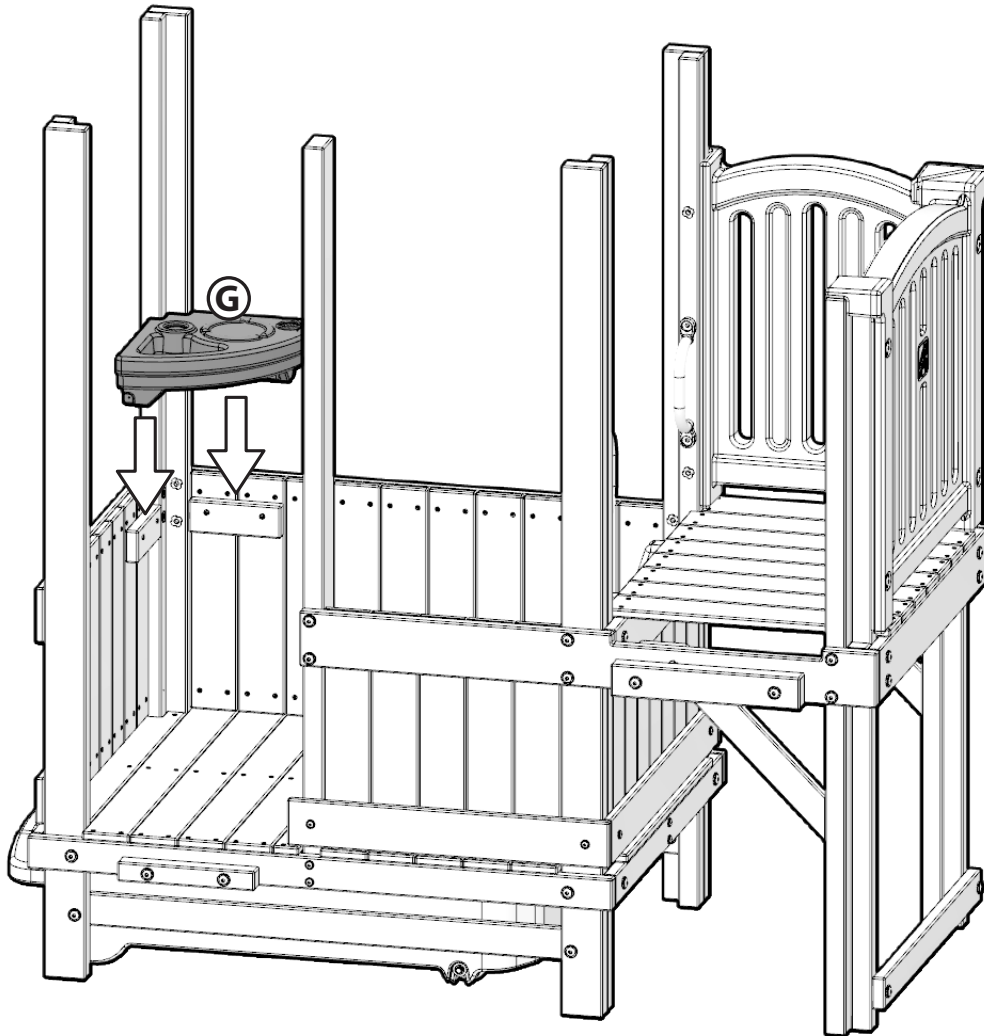
U FAUCET
161965



V KNOB
163698



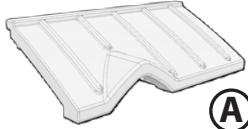
177 LAG SCREW PH
(x3) 10x2-1/2-182449 (H100177)



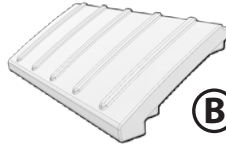
28



Press down on roof when attaching to wood. / Appuyez sur le toit lors de la fixation au bois. / Presione el techo hacia abajo cuando lo fije a la madera. / Premere sul tetto quando si attacca al legno. / Druk op het dak wanneer u het op hout bevestigt. / Pressione para baixo no telhado ao anexar à madeira. / Naciśnij dachem po zamocowaniu do drewna. / Drücken Sie das Dach beim Anbringen an Holz nach unten. / 在连接木材时按下屋顶。 / اضغط للأسفل على السطح عند تركيب الخشب.



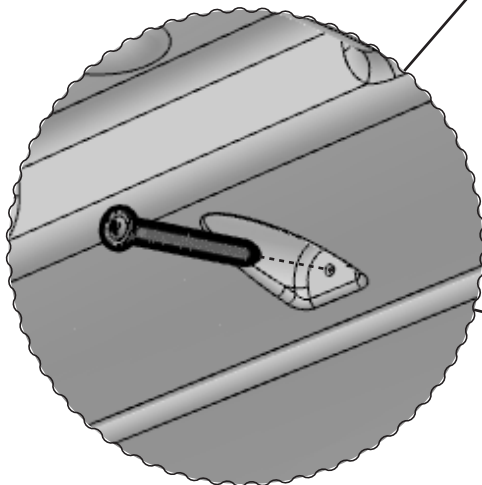
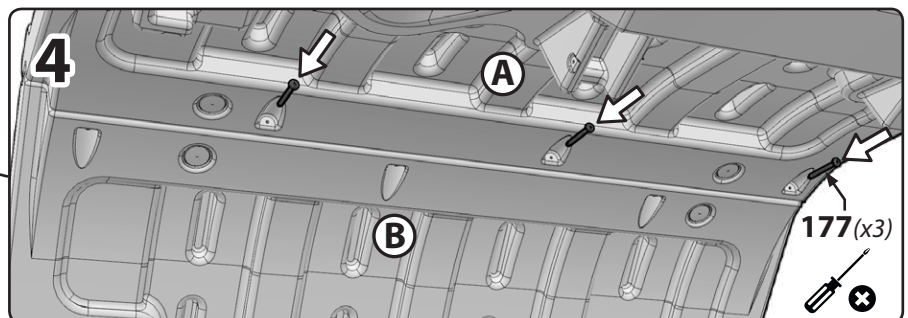
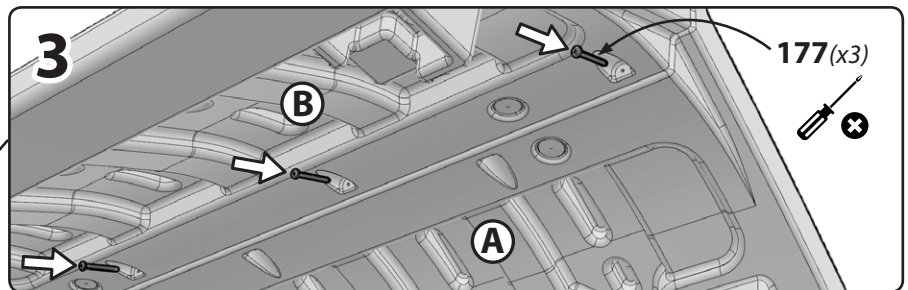
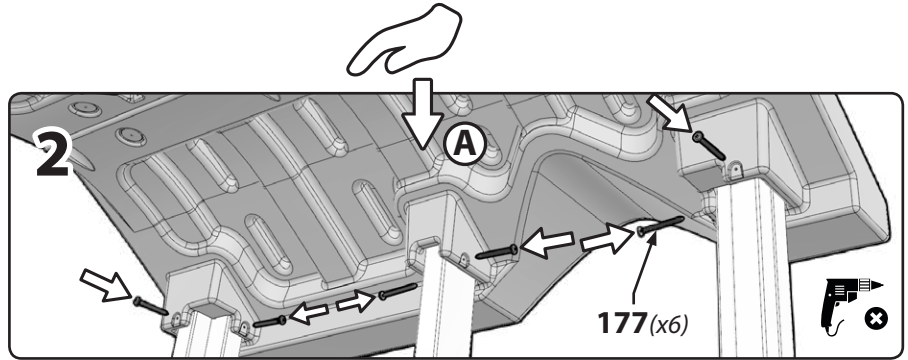
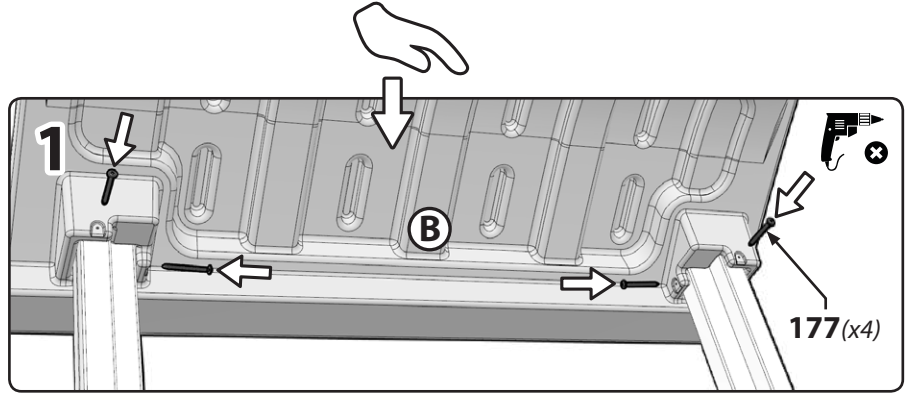
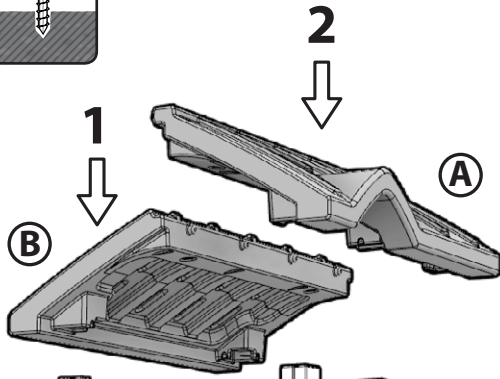
(A) FRONT ROOF
134316



(B) BACK ROOF
134317



177 LAG SCREW PH
(x16) 10x2-1/2-182449 (H100177)



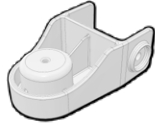
29



Flush / À ras / Coloque los componentes sin que sobresalgan / Livellare
/ Nivelar / Verzonken in oppervlak / Wyrównać / Bündig / 齐平 / ضم



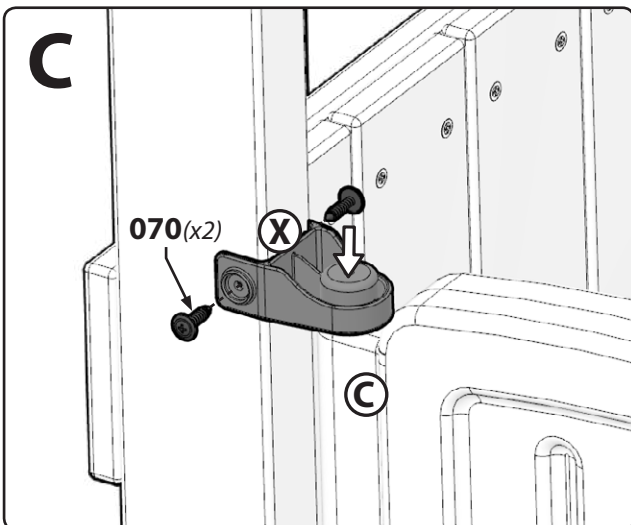
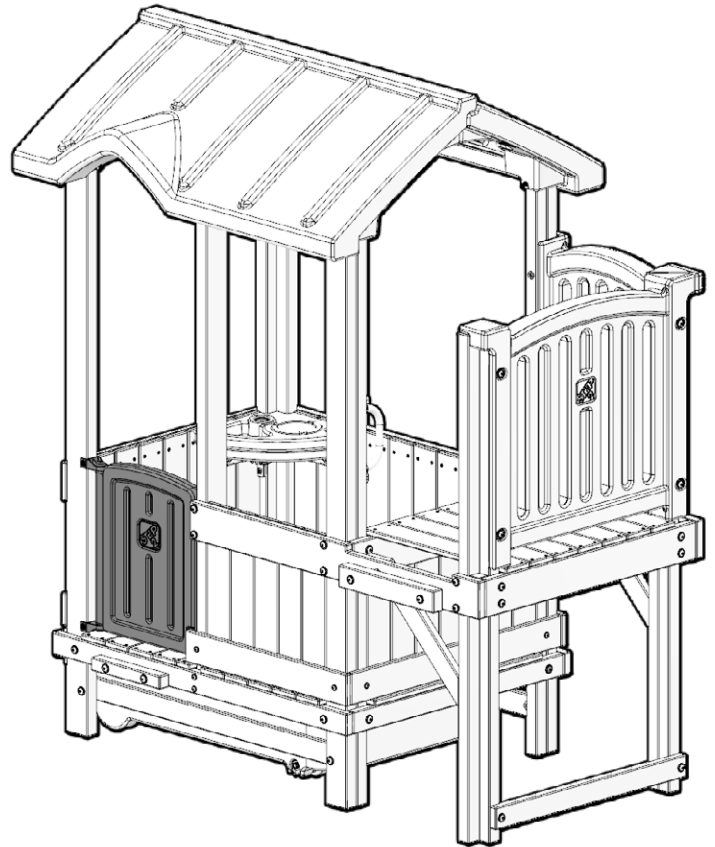
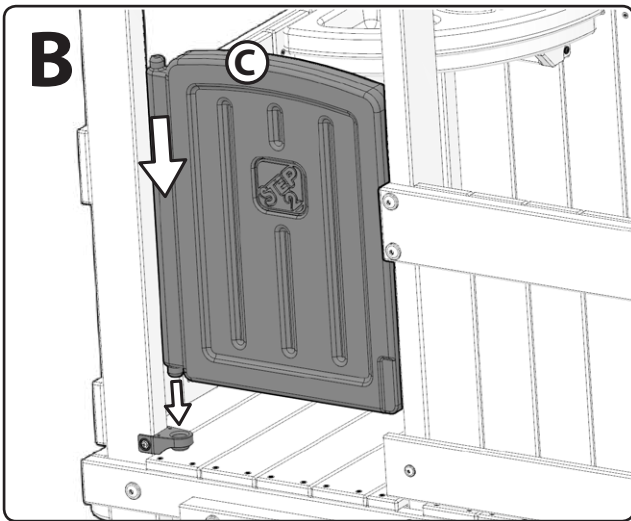
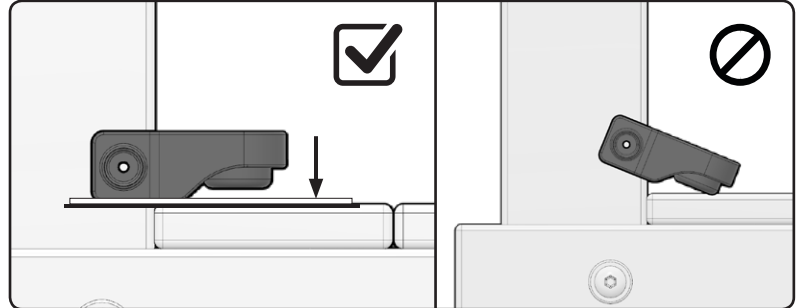
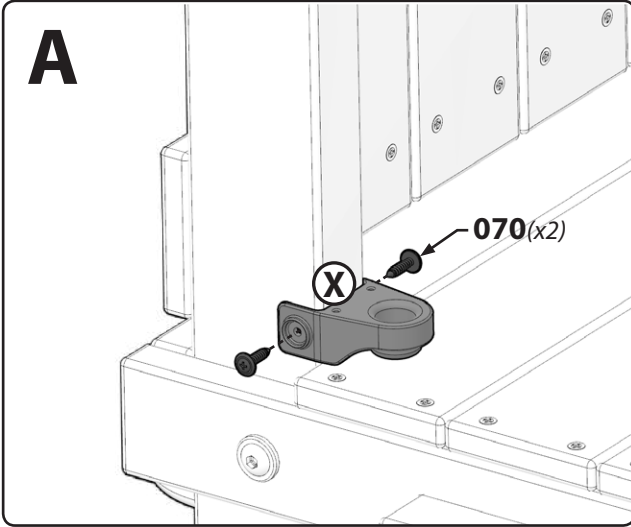
C | DOOR
134321



Xx2 | HINGE
163889



070 | SCREW PWH
(x4) | 8x3/4 - 182440 (H100070)

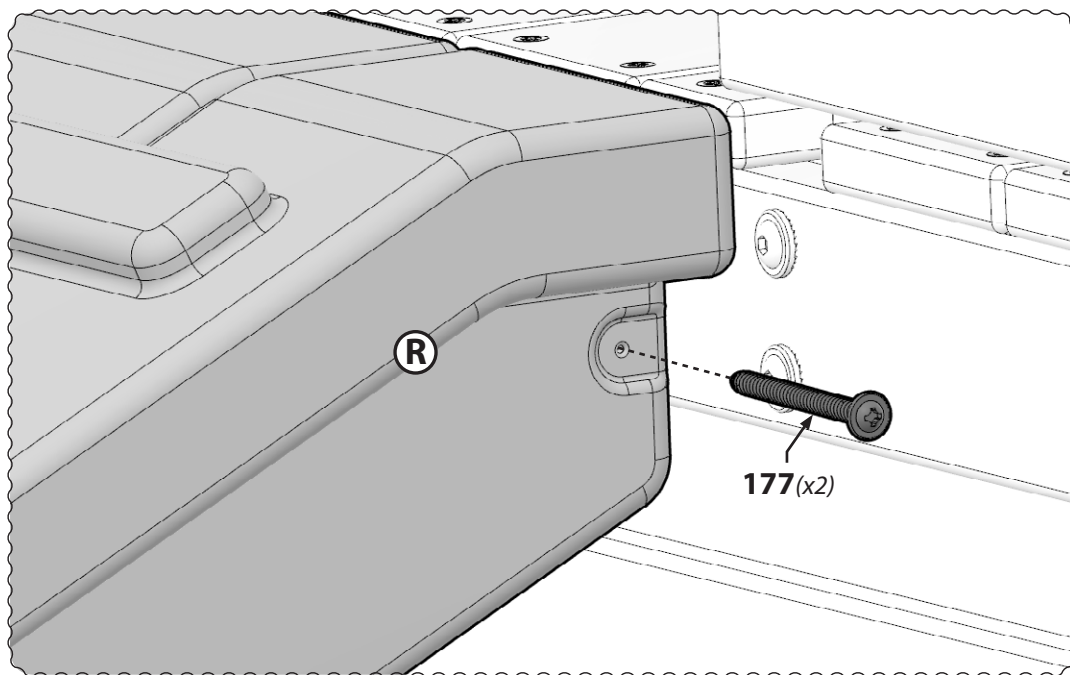
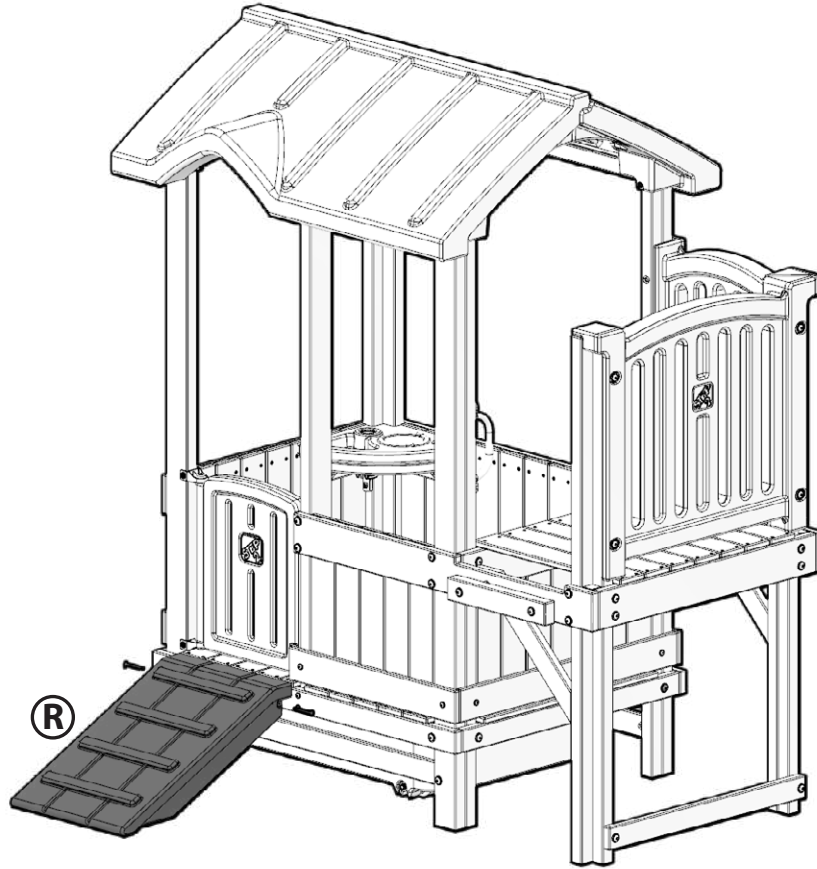
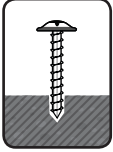




(R) RAMP
134322



177 LAG SCREW PH
(x2) 10x2-1/2-182449 (H100177)

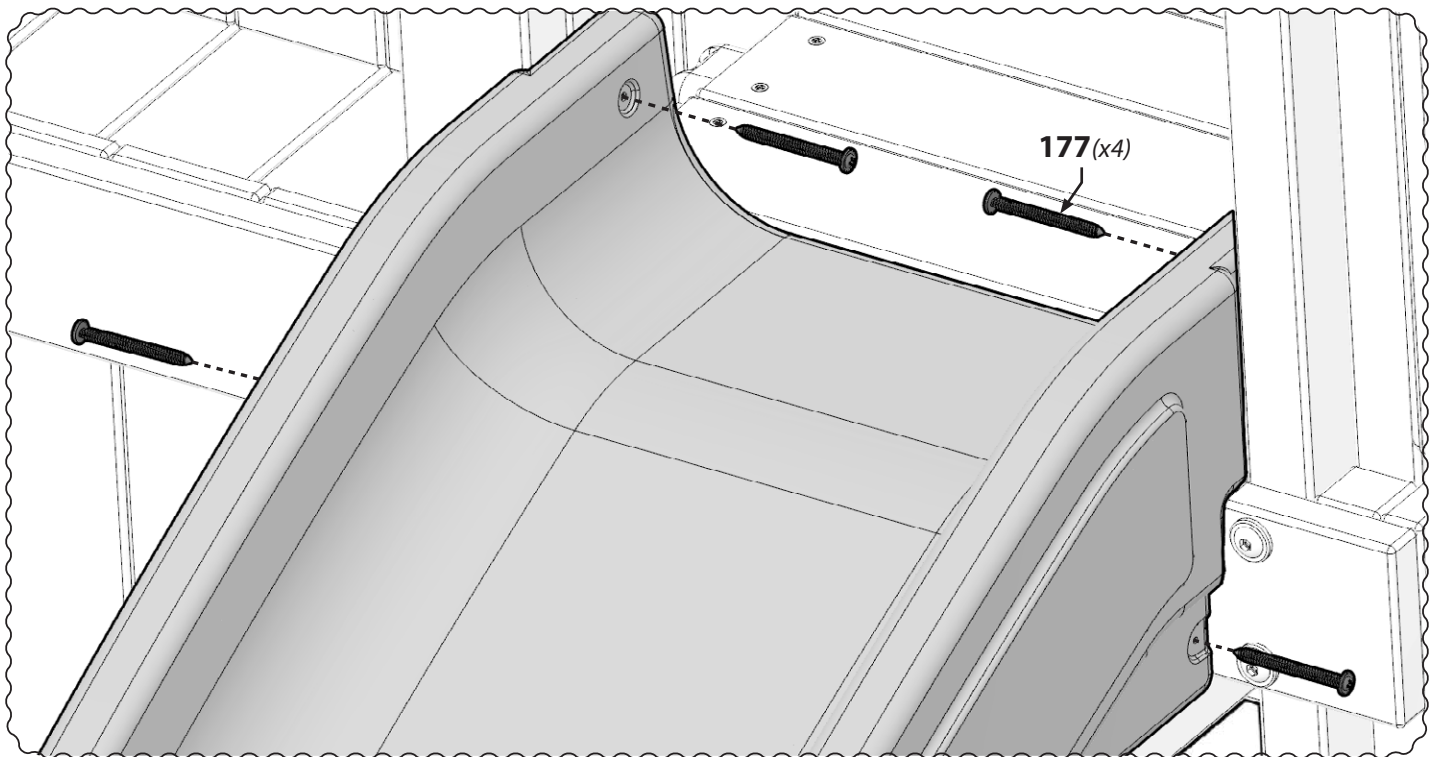




D SLIDE
134320



177 LAG SCREW PH
(x4) 10 x 2-1/2 -182449 (H100177)





Thank you for purchasing the Step2® Woodland Adventure Playhouse & Slide™!



We'd appreciate a few minutes of your time to complete a brief survey so we can continue providing you with great products.

To participate, please visit our website at:

www.step2.com/survey/?partnumber=4906KR

*Thank you for your time,
Your friends at Step2.*



Discover more ways to play!



Step2.com

BackYardDiscovery.com

