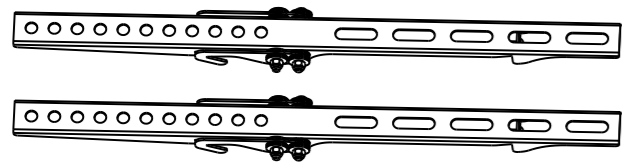
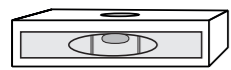


A

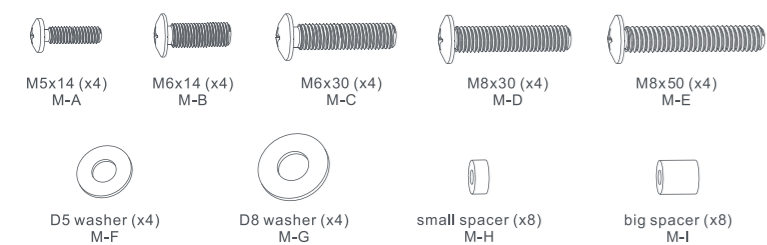


B



C

Package M

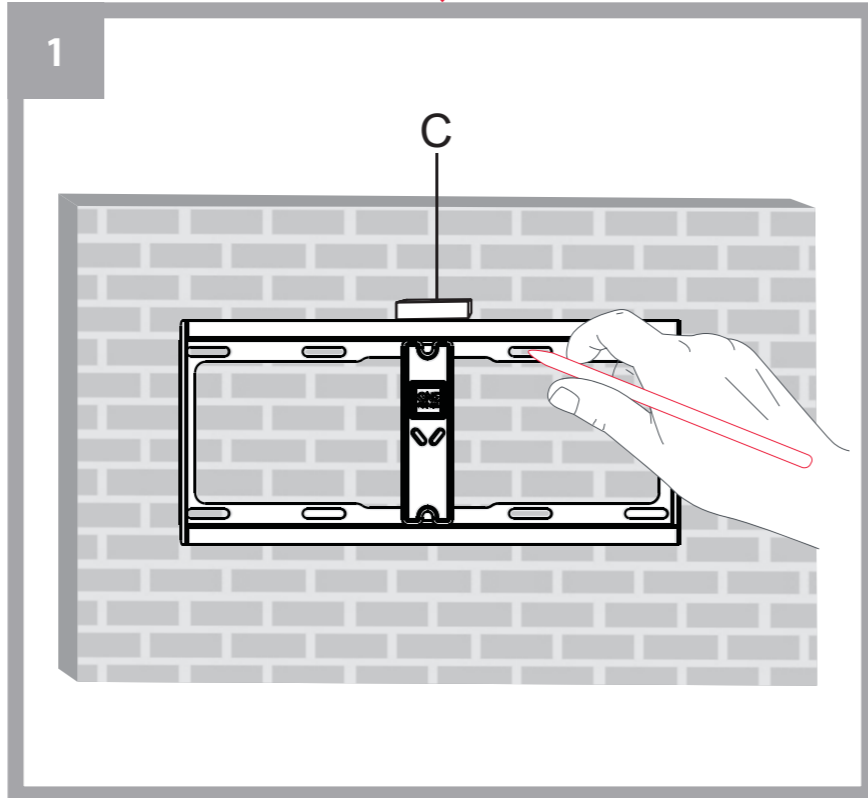


Package W



WM4421
00599
RDN 1010519
Universal Electronics BV - Europe & International
P.O. Box 3332, 7500 DH Enschede
The Netherlands

START

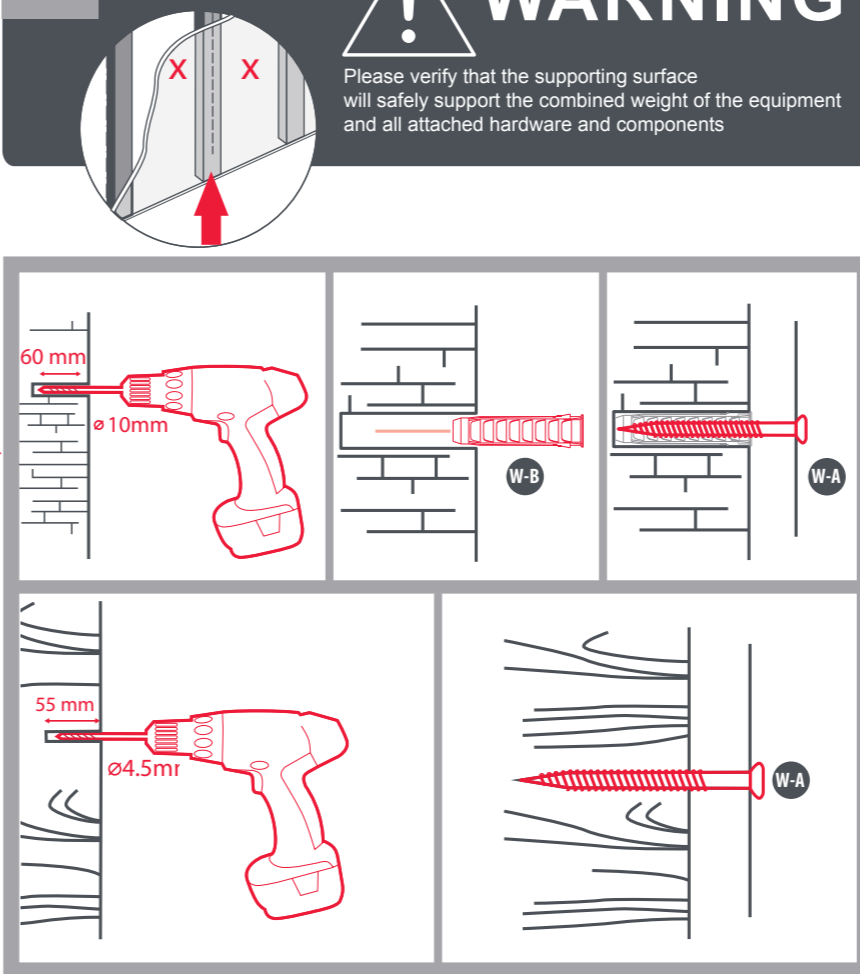


1

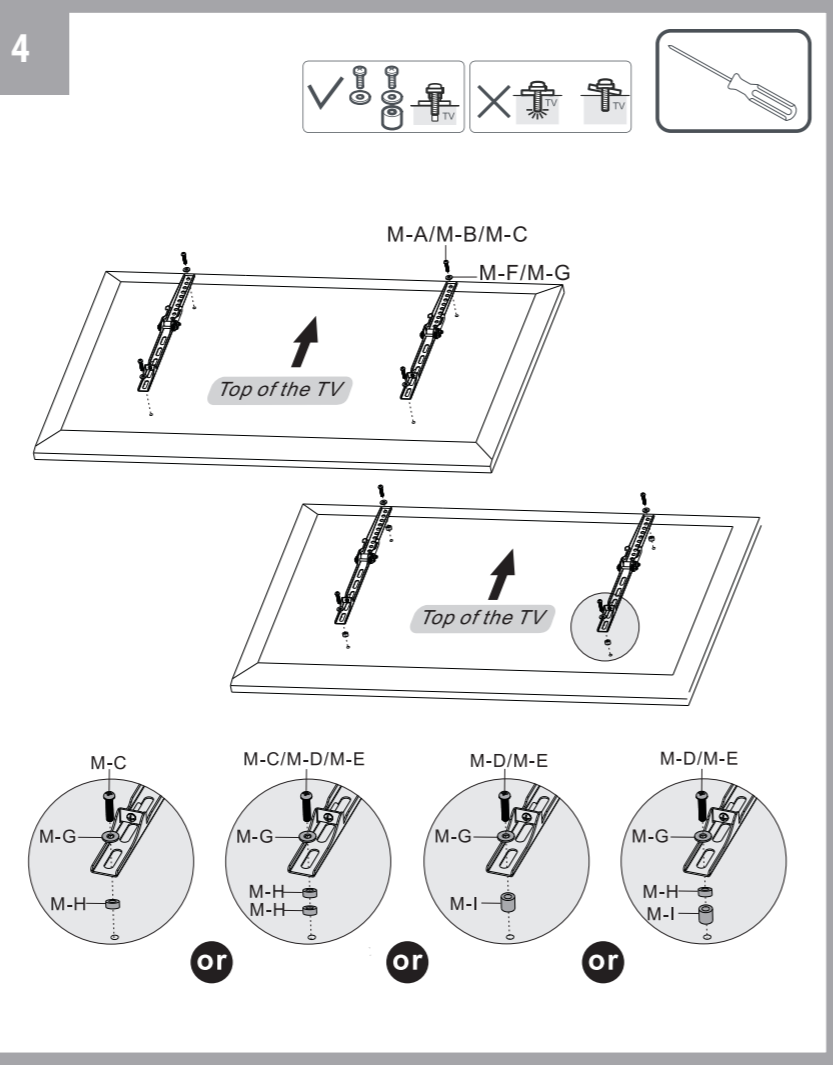
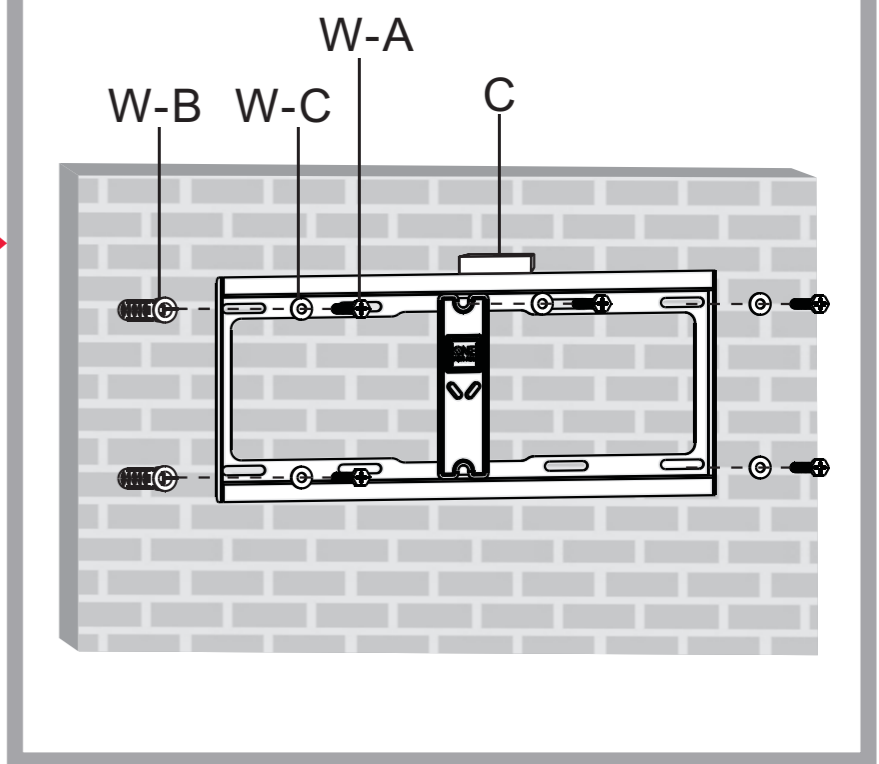
2

WARNING

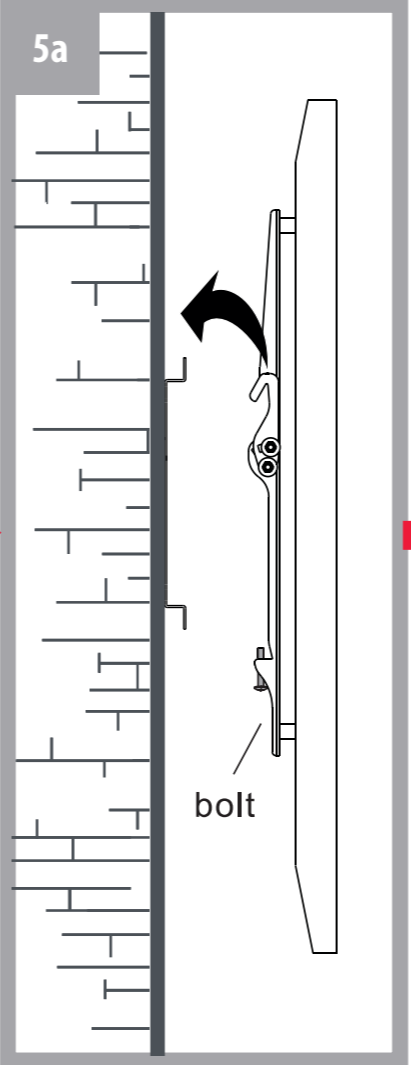
Please verify that the supporting surface will safely support the combined weight of the equipment and all attached hardware and components



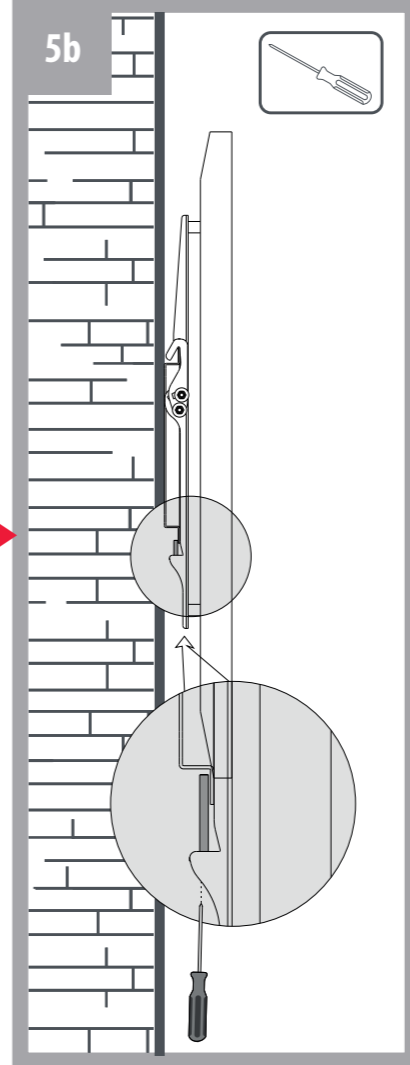
3



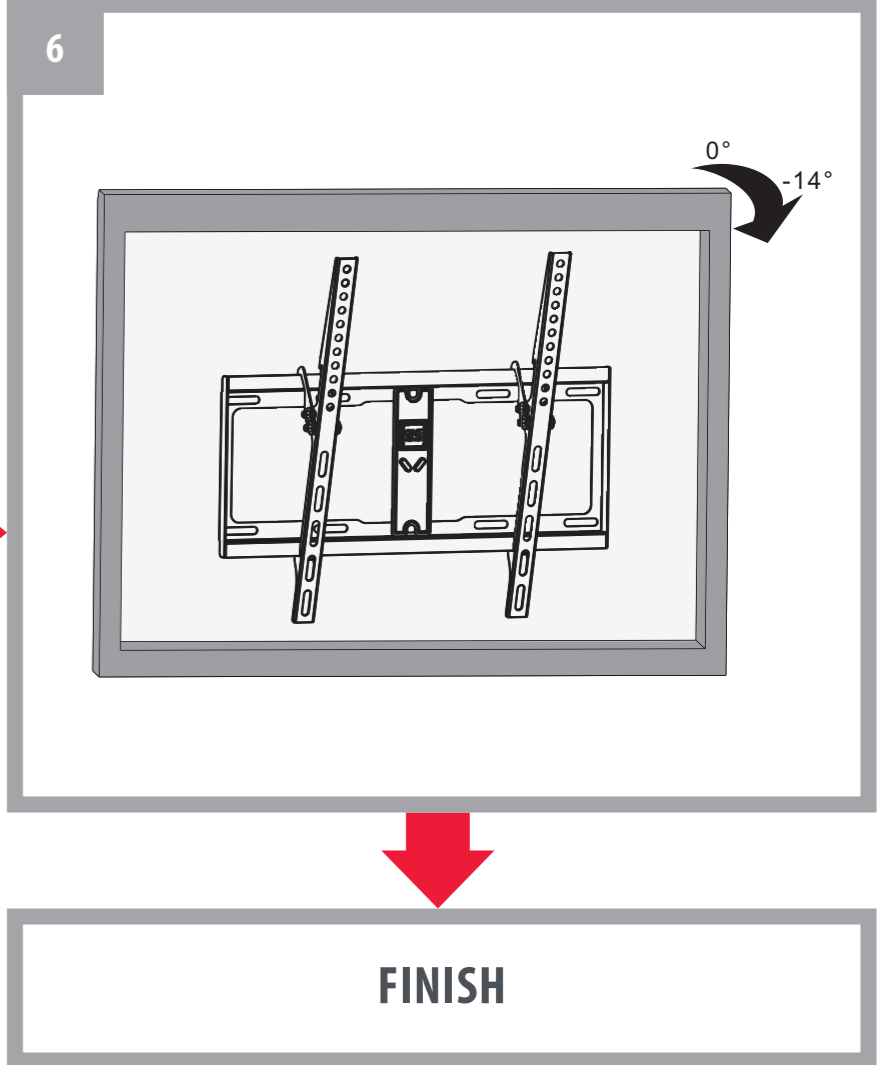
4



5a



5b



6

FINISH