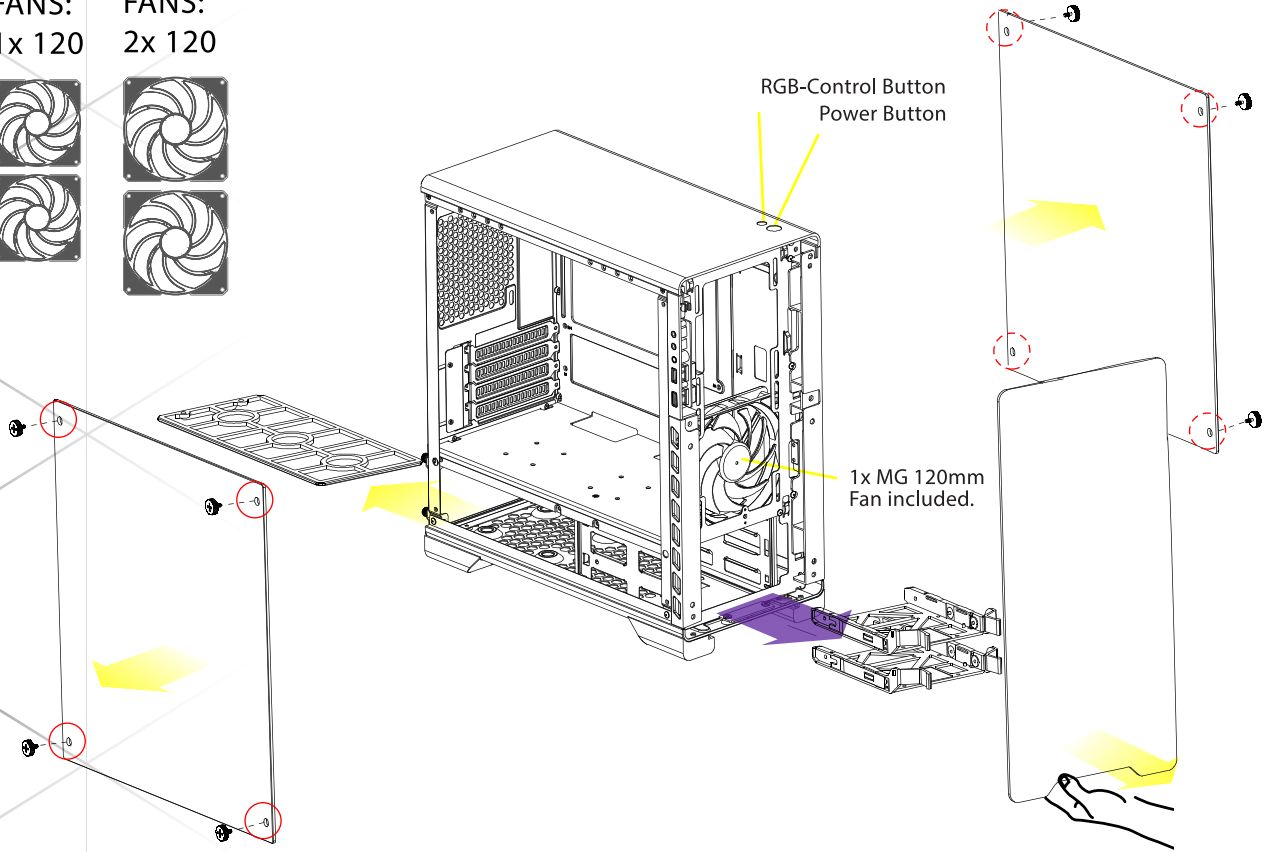
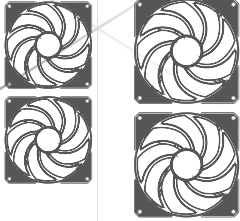


Thank you for choosing the MG NEO-Micro chassis. Take your time reading this manual before installing your system.







Check [www.metallicgear.com](http://www.metallicgear.com) for the latest information and manual version.

REAR  
FANS:  
1x 120

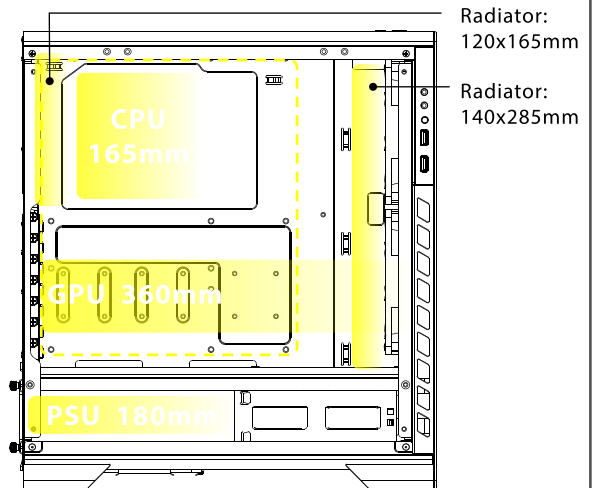
FRONT  
FANS:  
2x 120



## ACCESSORIES

-  16x Motherboard M3 screws
-  4x PSU 6-32 screws
-  8x Fans screws
-  1x Motherboard M4 stand-off
-  2x Long Thumb 6-32 screws
-  6x Zip ties
- 1x 8-pin CPU extension 40cm

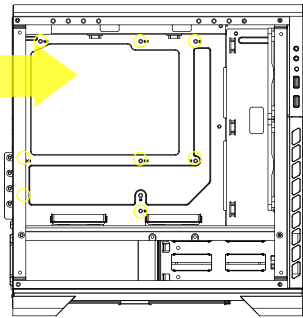
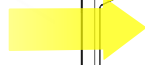
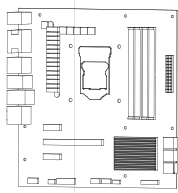
## CLEARANCES



# HARDWARE INSTALLATION

## MOTHERBOARD

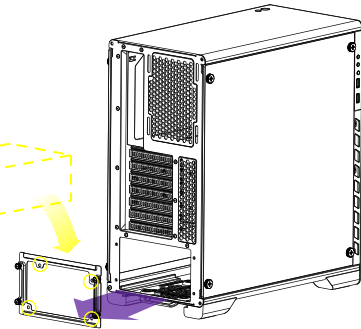
8x 



Supports:  
m-ATX, ITX

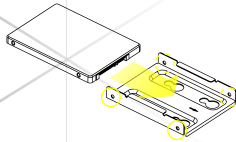
## POWER SUPPLY

4x 

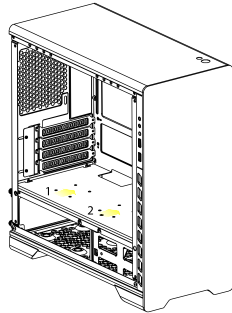


## SSD

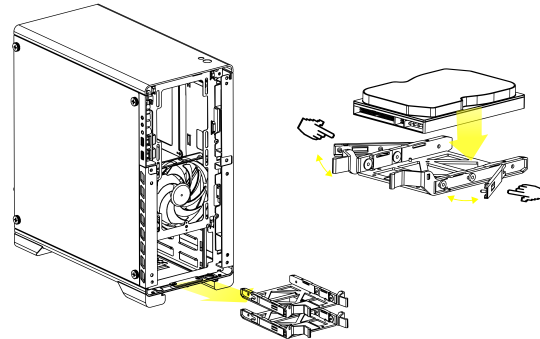
4x 



2x SSD brackets are included.

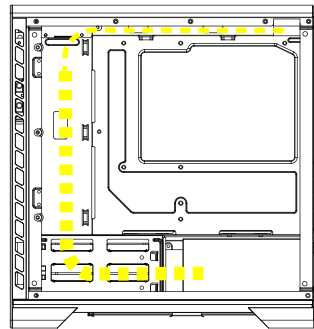


## HDD



## CABLE MANAGEMENT

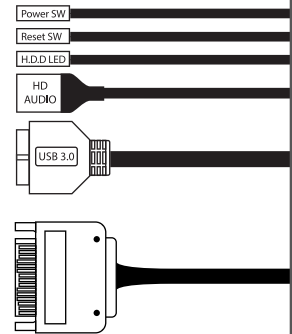
Use the included CPU extension cable.



## FRONT I/O CABLES

Connect to  
Motherboard

Connect to  
Power Supply



# RGB-LIGHTING CONTROLS

## RGB CABLES

Daisy-chain RGB Products



To Motherboard RGB Header




## RGB CONTROL

- **Short Press** to change color:



- **Long Press** to change mode:

-  Solid
-  Breathing
-  Color Cycle

- **Press and Hold** to turn off or switch to motherboard control.

