

Cozytrix

PRICE & QUALITY
DELIVERED

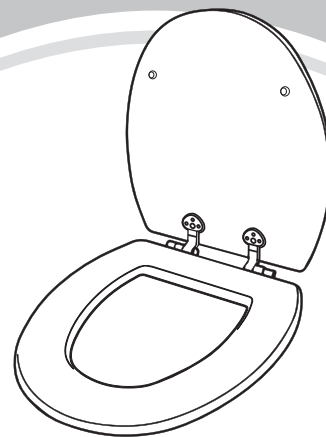
Middle East
MTLi FZ LLC
Dubai
UAE

Europe
Cozytrix BV
Heilo
The Netherlands

cozytrix.com - info@cozytrix.com

QR
CODE

- [EN] Instruction manual
- [NL] Handleiding
- [DE] Bedienungsanleitung
- [FR] Manuel d'instructions
- [AR] كتيب التعليمات
- [IT] Manuale d'istruzioni



Cozytrix

PRICE & QUALITY
DELIVERED

— cozytrix.com —

(EN) PRODUCT INFORMATION AND INSTRUCTIONS



Carefully follow the enclosed step-by-step instructions to assemble the Toilet Seat. Take an organized approach, laying out all of the components in an orderly fashion and keeping them all together to ensure that nothing is broken or you hurt yourself by standing on them.

Please keep this instruction manual for future reference. It contains important information.

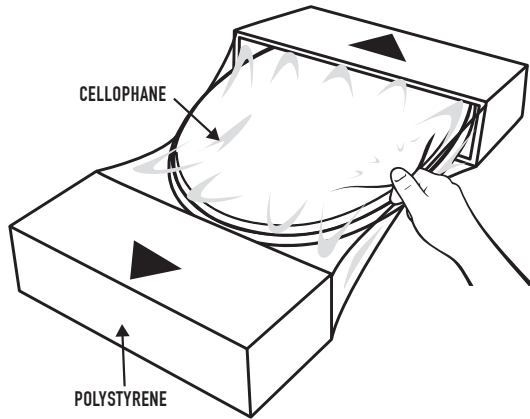


COMPONENTS



ASSEMBLY INSTRUCTIONS

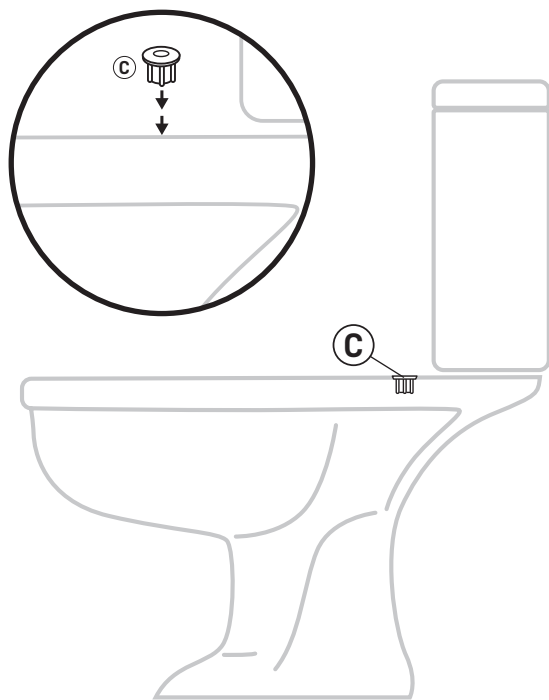
- 1** Remove all of the packaging from the toilet seat, i.e. cellophane and polystyrene etc.



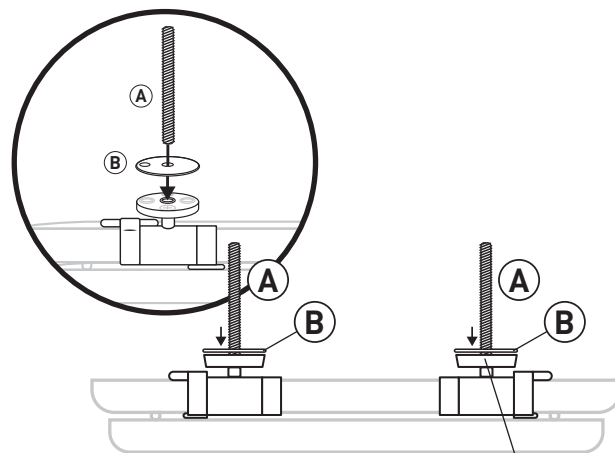
- 2** Keep your porcelain toilet ready and clean with any previous toilet seat already removed.



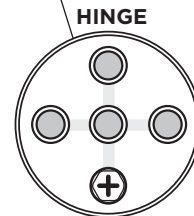
- 3** Insert parts (C) into the holes in the porcelain toilet.



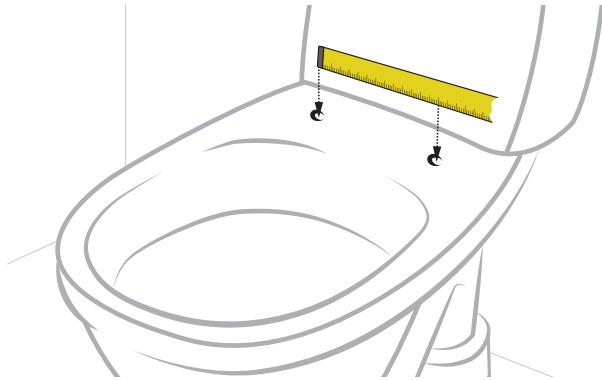
- 4** Turn the toilet seat upside down and insert the screw connectors (A) through parts (B) and then screw them into the underside of the toilet seat at the hinges.



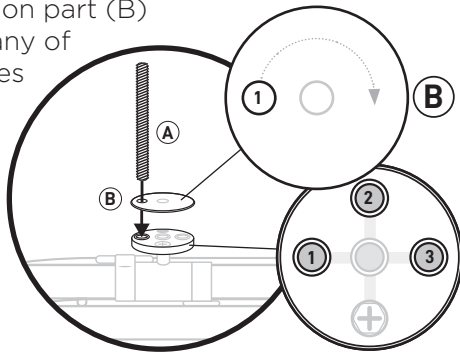
Please note the hinge has one main attachment hole for the screw connector in the middle, which matches with the central hole in part (B), however you will also notice that there are 3 other attachment holes on the hinge.



4 continued... This means your toilet seat can be adjusted to fit various sizes of toilet bowls with the distance of the holes on your porcelain toilet being anywhere between 13 - 20cm apart.



The other hole on part (B) will align with any of the other 3 holes on the hinge as required.



4 continued... Furthermore, if these adjustments do not work to fit the holes on your porcelain toilet, you can also adjust the hinge by moving them to the inside or outside of the hinge fixture:

FIGURE 1

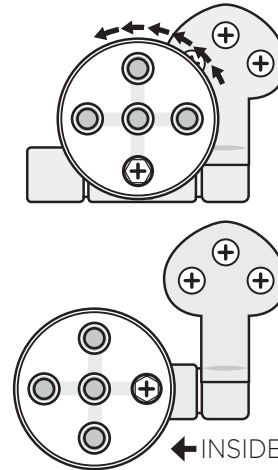
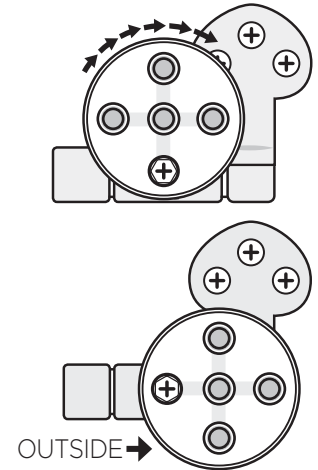
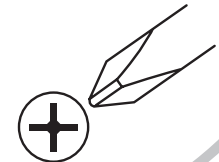


FIGURE 2

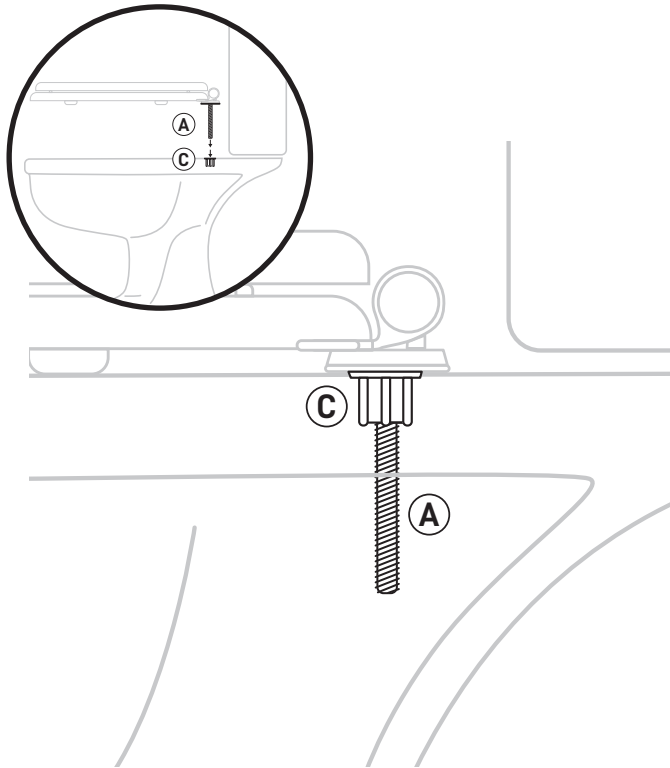


This enables you to increase or decrease the distance between the hinges on your toilet seat even further.

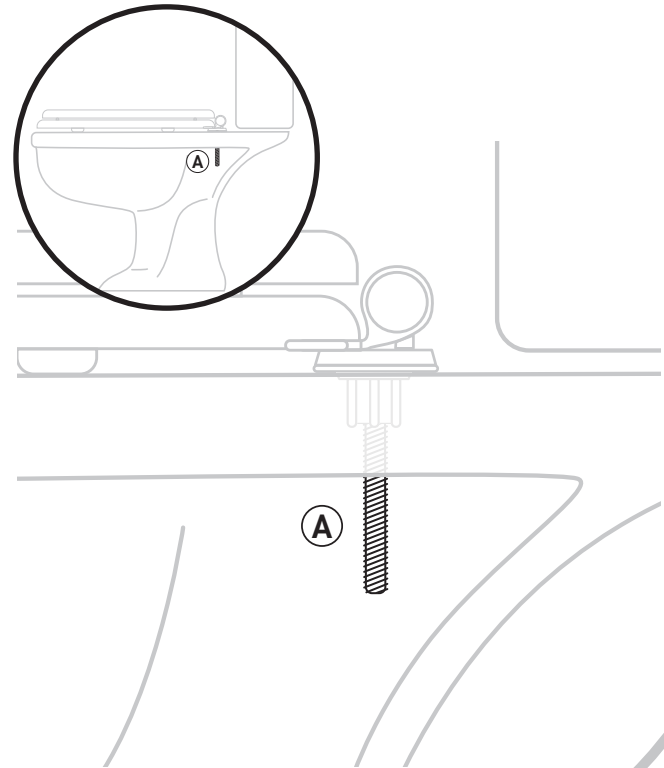
Please note you will need the appropriate 'cross' screw driver from your toolbox to make this adjustment.



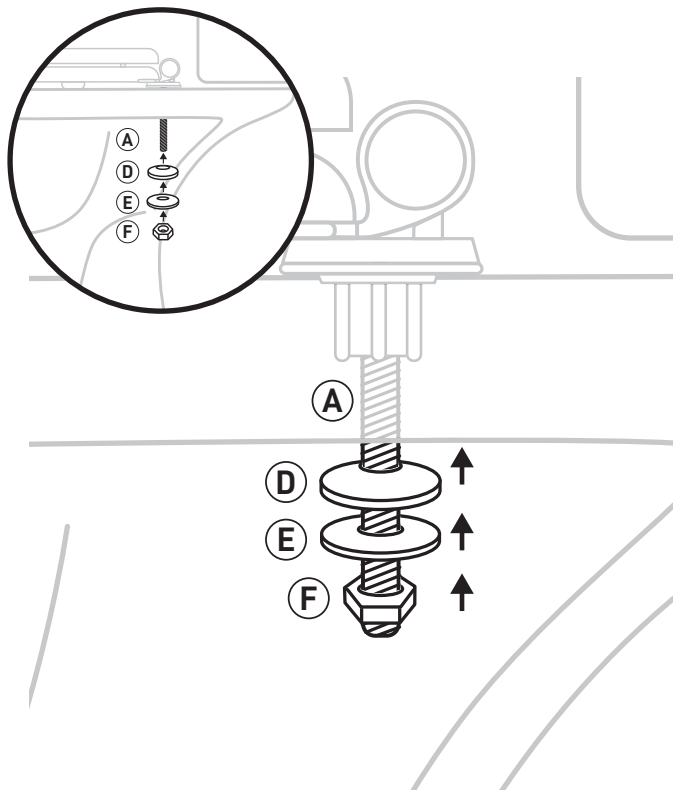
- 5** Once screwed in securely, turn the toilet seat the right way up and push the screw connectors (A) through parts (C).



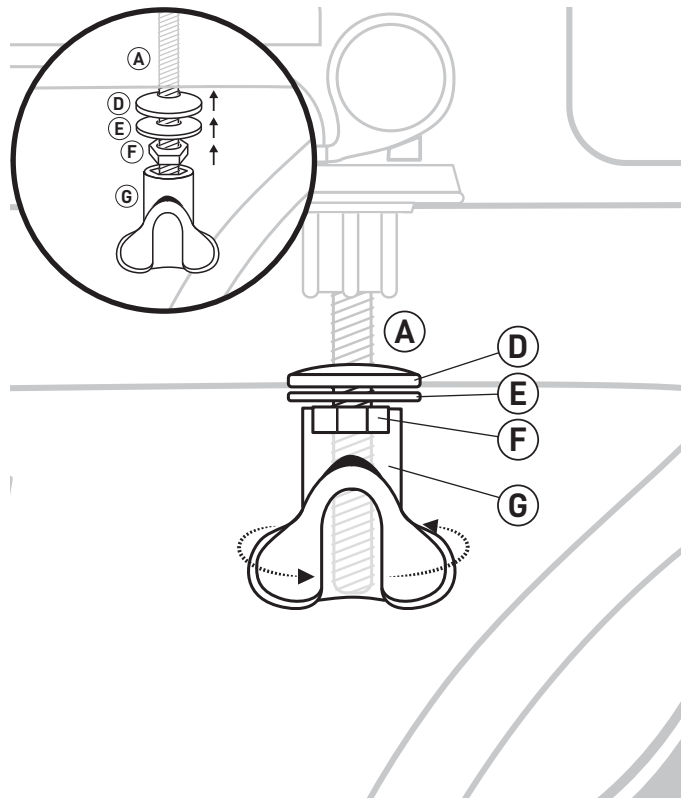
- 6** You will find the screw connectors (A) on the underside of the porcelain toilet bowl.



- 7** On both screw connectors (A), add parts (D) and (E) in that order, and hold them in place by twisting the nut (F) on to the screw connector (A).



- 8** Secure these parts on the screw connectors (A) tight against the underside of the porcelain toilet bowl using the allen key (G).



- 9** Please note that there is a very thin layer of adhesive protective plastic covering all of the design graphics on your new toilet seat. Once the toilet seat is secured in place, find the edge of the protective film and pull it off, it should come off of each surface area as a complete section.

