

the BBQ & Press™ Grill

BGR700/SGR700



EN QUICK GUIDE

DE KURZANLEITUNG

FR GUIDE RAPIDE

NL SNELSTARTGIDS

IT GUIDA RAPIDA

ES GUÍA RÁPIDA

PT MANUAL RÁPIDO

Sage®



Contents

- 2 Breville recommends safety first
- 5 Components
- 7 Assembly
- 8 Functions
- 10 Care & cleaning
- 12 Guarantee

SAGE® RECOMMENDS SAFETY FIRST

At Sage® we are very safety conscious. We design and manufacture consumer products with the safety of you, our valued customer, foremost in mind. In addition we ask that you exercise a degree of care when using any electrical appliance and adhere to the following precautions.

IMPORTANT SAFEGUARDS READ ALL INSTRUCTIONS BEFORE USE AND SAVE FOR FUTURE REFERENCE

- A downloadable version of this document is also available at sageappliances.com
- Before using the first time ensure your electricity supply is the same as shown on the label on the underside of the appliance.
- Remove and safely discard any packaging materials before first use.
- The appliance is for household use only. Do not use the appliance for anything other than its intended use. Do not use in moving vehicles or boats. Do not use outdoors. Misuse may cause injury.
- Fully unwind the power cord before operating.
- Position the appliance on a stable, heat resistant, level, dry surface away from the edge and do not operate on or near a heat source such as a hot plate, oven or gas hob.
- Do not let the power cord hang over the edge of a bench or table, touch hot surfaces or become knotted.
- Position the appliance at least 20cm from walls or heat / steam sensitive materials and provide adequate space above and on all sides for air circulation.

- Ensure the power cord does not become trapped between the upper and lower hot plates of the appliance during use or storage.
- Do not leave the appliance unattended when in use.
- The appliance is not intended to be operated by the means of an external timer or separate remote control system
- Do not place anything on top of the grill when lid is closed, when in use and when stored.



The appliance is marked with a HOT surface symbol. The lid and other surfaces will be hot when the appliance is operating and for some time after use. To prevent burns always use insulated oven mitts or use handles or knobs where appropriate.

- Always ensure the appliance is turned OFF, unplugged at the power outlet and has been allowed to cool before cleaning, moving or storing.
- Do not use the appliance if the power cord, plug, or appliance becomes damaged in any way. If damaged or maintenance other than cleaning is required, please contact Sage[®] Customer Service or go to sageappliances.com
- Any maintenance other than cleaning should be performed by an authorised Sage[®] service centre.

- Children shall not play with the appliance.
- The appliance can be used by children aged 8 or older and persons with reduced physical, sensory or mental capabilities or a lack of experience and knowledge, only if they have been given supervision or instruction concerning use of the appliance in a safe way and understand the hazards involved.
- Cleaning of the appliance should not be carried out by children unless they are 8 years or older and supervised.
- The appliance and its cord should be kept out of reach of children aged 8 years and younger.
- The installation of a residual current safety switch is recommended to provide additional safety when using all electrical appliances. Safety switches with a rated operating current not more than 30mA are recommended. Consult an electrician for professional advice.



The symbol shown indicates that this appliance should not be disposed of in normal household waste. It should be taken to a local authority waste collection centre designated for this purpose or to a dealer providing this service. For more information, please contact your local council office.

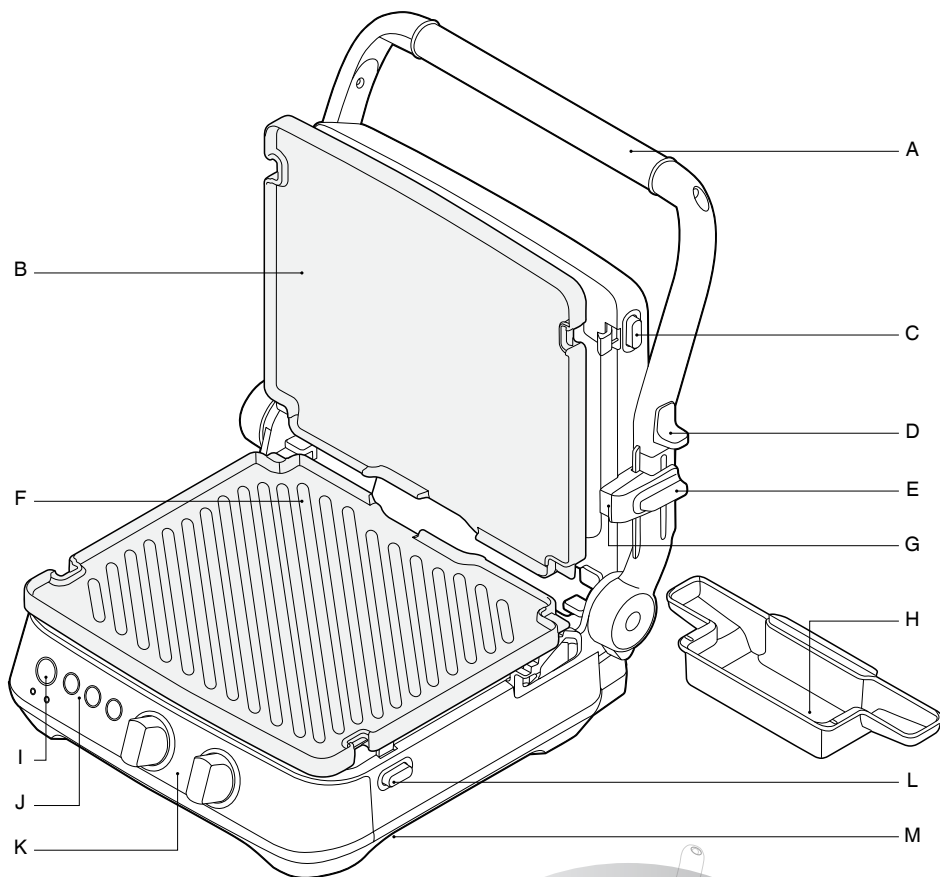


To protect against electric shock, do not immerse the power plug, cord or appliance in water or any liquid.

**FOR HOUSEHOLD USE ONLY
SAVE THESE INSTRUCTIONS**

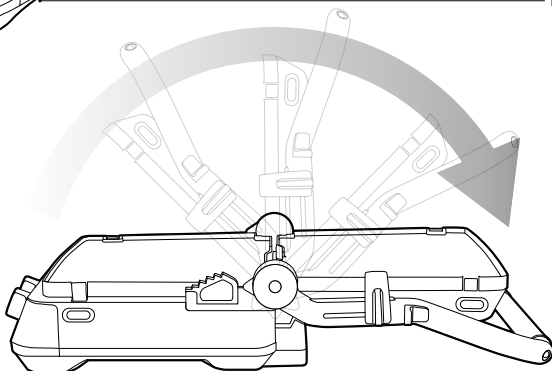


Components



Open Flat BBQ Mode

Opens flat into a
1500cm² grilling surface.



Rating Information

220-240V ~50-60Hz 1500-1800W

A. Stainless Steel Handle

With Die-Cast Arms.

B. Ceramic, Reversible Non-Stick Plates

Reversible Plates Coated in Ceramic Fusion HR for oil-free cooking and easy cleaning. PFOA and PTFE free.

C. Top Plate Release

Removes the top cooking plate. Independently remove the top and bottom cooking plates for easy cleaning or to interchange plate positions.

D. BBQ Lock Release

E. 6 Adjustable Height Settings

Reduces the weight of the top plate on delicate foods or can be set high enough for open melts.

F. Removable, Dishwasher Safe Plates

Flat side for eggs and pancakes, ribbed side to sear meats.

G. Locking Storage Clip

Locks the plates closed for upright storage.

H. Integrated, Removable Drip Tray

Catches excess fat for healthier cooking. In BBQ mode, the unique design drains fat from both plates into the same drip tray.

I. POWER ON/OFF Button

J. PANINI, BURGER AND STEAK settings

K. Independent Plate Temperature Control

L. Bottom Plate Release

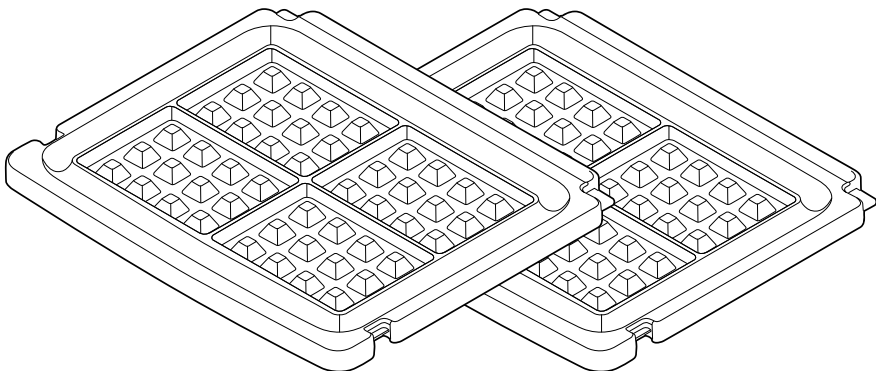
Removes the bottom cooking plate. Independently remove the top and bottom cooking plates for easy cleaning or to interchange plate positions.

M. Cord Storage

Located on the underside of the grill.

Waffle Plates Accessory (Sold Separately)

Belgian waffle plates with premium non-stick coating - SGR001





Assembly

BEFORE FIRST USE

1. Remove and safely discard any packing material and promotional labels from the grill.
2. Wipe the cooking plates and drip tray with a soft damp sponge. Dry thoroughly.
3. Ensure the drip tray is correctly inserted into the grill.
4. Ensure the cooking plates are correctly inserted and securely locked into position.
5. Place the grill on a flat, dry surface. Ensure there is a minimum distance of 20cm of space on both sides of the appliance.
6. Unwind the power cord completely and insert the power plug into a grounded wall outlet.
7. The grill alert will sound and the POWER light will go on.
8. Press the POWER button. The grill will beep and the POWER light will go on. The grill is now ready for the preheating cycle.
9. Always allow the grill to completely preheat to the selected temperature before cooking.
10. The grill will beep twice when the plates have reached the chosen temperature.

HOW TO USE THE GRILL

The grill features 2 x PLATE RELEASE. These allow you to independently remove the top and bottom cooking plates for easy cleaning, or to interchange plate positions.

To use the PLATE RELEASE:

- Always ensure the grill is completely cool.
- Use the handle to open the top plate to a 90 degree position.

- Use the 'Plate Release' on the front, right side of the top plate to remove the top cooking plate, and the 'Plate Release' on the right side of the control panel to remove the bottom cooking plate.
- Once released, gently slide the plates off the grill.
- When using the grill as a contact grill or sandwich press, release the clip and simultaneously lift the handle.



NOTE

When the grill is turned on and heating for the first time, it may emit a fine smoke haze. This is due to the protective substances on the heating elements. It is safe and not detrimental to the performance of the grill.



WARNING

Do not use spray-on, non-stick coatings as these will affect the performance of the non-stick cooking plates.

Never use metal or sharp utensils as these can cause damage to the non-stick coating of the cooking plates.



Functions

USE AS A CONTACT GRILL OR PANINI PRESS

1. Ensure the drip tray is correctly inserted into the grill.
2. Ensure the cooking plates are correctly inserted and securely locked into position.
3. Place the grill on a flat, dry surface. Ensure there is a minimum distance of 20cm of space on both sides of the appliance.
4. Unwind the power cord completely and insert the power plug into a grounded wall outlet.
5. Press the POWER button. The grill alert will sound and the POWER light will go on.
6. To preheat the grill:
 - a) Ensure the top plate of the grill is closed. This will ensure faster, more efficient preheating.
 - b) Turn the temperature dials to 230°C on both lower and upper plates. Alternatively, press the PANINI or BURGER preset buttons for fast preheating. The grill will start to heat and the 'PREHEATING' red light will go ON.
 - c) Allow the grill to preheat.
7. Once the grill has preheated to the selected temperature, the grill alert will sound and 'PREHEATING' will no longer illuminate. The 'READY' light will go ON.
8. Place food on the bottom cooking plate.
9. Use the handle to close the top cooking plate. The top cooking plate has two features designed to produce optimum cooking results:
 - a) **Floating top plate.** The top cooking plate is hinged, allowing the top plate to be positioned horizontally on the food surface. This ensures the front of the food is as evenly cooked as the back. It also allows the top plate to float above the food surface, radiating heat to create open sandwich style 'melts'.
 - b) **Adjustable height control.** This feature reduces the weight of the top plate on delicate foods like fish and accommodates varying thicknesses of food like artisan breads. Located on the right side of the top plate, the clip fixes the top plate to a range of positions above the bottom plate. To set the adjustable height control, use the handle to lift the top plate and simultaneously move the adjustable height control clip to the desired height. Then slowly lower the top plate until it rests on the adjustable height control clip.
10. When the food is cooked, remove from the cooking plates using heat proof plastic or wooden utensils.

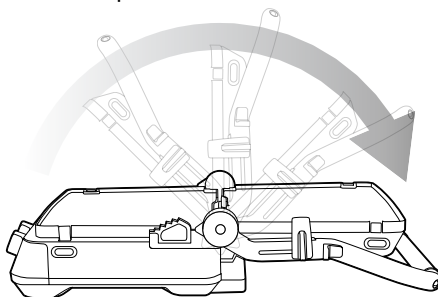
USE IN OPEN FLAT BBQ MODE

The grill opens flat into a 1500cm² grilling surface. The ribbed cooking plate is perfect for searing meats while the flat cooking plate is ideal for eggs, pancakes and vegetables.

1. Ensure the drip tray is correctly inserted into the grill.
2. Ensure the cooking plates are correctly inserted and securely locked into position.
3. Place the grill on a flat, dry surface. Ensure there is a minimum distance of 20cm of space on both sides of the appliance.
4. Unwind the power cord completely and insert the power plug into a grounded wall outlet.
5. Press the POWER button. The grill will beep and the POWER light will go on.
6. To preheat the grill:
 - a) Ensure the top plate of the grill is closed. This will ensure faster, more efficient preheating.
 - b) Turn the temperature dials to 230°C on both lower and upper plates. Alternatively, press the STEAK preset button for fast preheating.
 - c) The grill will start to heat and the 'PREHEATING' red light will go ON.
 - d) Allow the grill to preheat.
7. Once the grill has preheated to the selected temperature, the grill alert will sound and 'PREHEATING' will no longer illuminate. The 'READY' green light will go ON.

8. To open the grill into BBQ mode:

- a) Ensure the grill has completely preheated and the 'PREHEATING' red light is no longer illuminated.
- b) Ensure the top cooking plate is closed. The adjustable height control clip, located on the right side of the top plate, should be in the OPEN position
- c) With your left hand, grip the handle. With your right hand, pull the adjustable height control clip towards you, into the BBQ mode position. Continue to pull the clip forward and simultaneously lift the handle to open, then gently lower the top plate into the horizontal BBQ mode position.



9. Place food on either or both of the cooking plates.
10. When the food is cooked, remove from the cooking plates using heat proof plastic or wooden utensils.



Care & Cleaning

Ensure the grill is turned OFF by pressing the POWER button. Remove the power plug from the wall outlet. Allow the grill to cool completely before disassembling and cleaning.

Always clean the outer body, drip tray and cooking plates after each use to prevent a build-up of ingredients.



NOTE

Do not use abrasive cleansers or metal scouring pads on any of the interior or exterior surfaces of the grill. These will scratch the surfaces and damage the non-stick coating on the cooking plates.



WARNING

Do not immerse the body, power cord or power plug in water or any other liquid as this may cause electrocution.

CLEANING THE OUTER BODY

Wipe the outer body with a soft, damp sponge. A non-abrasive liquid cleanser or mild spray solution may be used to avoid build-up of stains. Apply the cleanser to the sponge, not the grill surface, before cleaning. Rinse. Let all surfaces dry thoroughly prior to inserting the power plug into a wall outlet.

CLEANING THE DRIP TRAY

After each use, slide out the drip tray and discard contents. Wash the tray in warm soapy water with a soft, damp sponge. A non-abrasive liquid cleanser may be used to avoid build-up of stains. Apply the cleanser to the sponge, not the tray, before cleaning. Rinse and dry thoroughly. Always ensure to re-insert the drip tray into the grill after cleaning and prior to inserting the power plug into a wall outlet.



NOTE

The drip tray can also be washed in a dishwasher.



WARNING

Extreme caution must be used when handling the drip tray containing hot fats and juices.

CLEANING THE COOKING PLATES

1. Wipe the cooking plates with a soft cloth to remove food residue.
2. Alternatively, release and remove the cooking plates:
 - a) Always ensure the grill is completely cool.
 - b) Use the handle to open the top plate to a 90 degree position.
 - c) Use the PLATE RELEASE on the front, right side of the top plate to remove the top cooking plate, and the PLATE RELEASE on the right side of the control panel to remove the bottom cooking plate.
 - d) Once released, gently slide the plates off the grill.
3. Place the cooking plates in the dishwasher (top shelf only).
4. Alternatively, wash the cooking plates in hot soapy water with a soft, damp sponge. A non-abrasive liquid cleanser may be used to avoid build-up of stains. Apply the cleanser to the sponge, not the plate, before cleaning. Remove stubborn residue with a non-abrasive plastic scouring pad or nylon washing brush.
5. Rinse and dry thoroughly. Always ensure the cooking plates are correctly re-inserted and securely locked back into position after cleaning and prior to inserting the power plug into a wall outlet.

**NOTE**

Do not use abrasive cleansers or metal scouring pads to clean the cooking surface of the plates. These will damage the non-stick coating on the cooking plates.

STORAGE

- Ensure the grill is turned OFF by turning the temperature dial to the OFF position. Remove the power plug from the wall outlet.
- Allow the grill, cooking plates and drip tray to cool completely.
- Ensure the grill, cooking plates and drip tray are clean and dry.
- Ensure the drip tray is correctly re-inserted into the grill.
- Ensure the cooking plates are correctly re-inserted and securely locked into position.
- Ensure the cooking plates are locked together by sliding the adjustable height control clip to the LOCK position.
- Wrap the power cord in the cord storage located on the underside of grill.
- Store on a flat, dry, level surface. Alternatively, the grill may be stored in an upright position.



Guarantee

2 YEAR LIMITED GUARANTEE

Sage Appliances guarantees this product for domestic use in specified territories for 2 years from the date of purchase against defects caused by faulty workmanship and materials. During this guarantee period Sage Appliances will repair, replace, or refund any defective product (at the sole discretion of Sage Appliances).

All legal warranty rights under applicable national legislation will be respected and will not be impaired by our guarantee. For full terms and conditions on the guarantee, as well as instructions on how to make a claim, please visit www.sageappliances.com.

the BBQ & Press™ Grill



DE KURZANLEITUNG

Sage®



Inhalt

- 2 Bei Sage steht Sicherheit an erster Stelle
- 5 Komponenten
- 7 Montage
- 8 Funktionen
- 10 Pflege und Reinigung
- 12 Garantie

BEI SAGE® STEHT SICHERHEIT AN ERSTER STELLE

Wir bei Sage® sind sehr sicherheitsbewusst. Beim Design und bei der Herstellung denken wir zuallererst an Ihre Sicherheit. Wir bitten Sie, bei der Verwendung aller Elektrogeräte angemessene Sorgfalt walten zu lassen und sich an die folgenden Vorsichtsmaßnahmen zu halten.

HINWEISE ZUR SICHERHEIT: BITTE ALLE ANWEISUNGEN VOR GEBRAUCH LESEN UND ZUM SPÄTEREN NACHSCHLAGEN AUFBEWAHREN

- Dieses Dokument ist auch zum Download verfügbar unter sageappliances.com
- Vergewissern Sie sich vor dem ersten Gebrauch, dass die Netzspannung der Angabe auf der Unterseite des Geräts entspricht.
- Entfernen und entsorgen Sie vor dem ersten Gebrauch vorsichtig jegliches Verpackungsmaterial.
- Das Gerät ist nur für den Hausgebrauch bestimmt. Verwenden Sie das Gerät ausschließlich zu seinem Bestimmungszweck. Verwenden Sie das Gerät nicht in fahrenden Fahrzeugen oder Booten. Verwenden Sie das Gerät nicht im Freien. Fehlgebrauch kann zu Verletzungen führen.
- Rollen Sie das Kabel vor Inbetriebnahme ganz aus.
- Stellen Sie das Gerät auf eine stabile, hitzebeständige, ebene, und trockene Fläche in einem sicheren Abstand zur Kante und betreiben Sie es nicht in der Nähe einer Hitzequelle, wie beispielsweise Kochplatten, Backöfen oder Gaskochfelder.

- Achten Sie darauf, dass das Kabel nicht über die Kante einer Arbeitsfläche oder eines Tisches hängt, heiße Oberflächen berührt oder sich verknotet.
- Stellen Sie das Gerät in mindestens 20 cm Entfernung von Wänden oder hitzeempfindlichen bzw. dampfempfindlichen Materialien auf und lassen Sie oberhalb und an den Seiten des Geräts ausreichend Raum für die Luftzirkulation.
- Vergewissern Sie sich, dass das Netzkabel während des Gebrauchs oder beim Aufbewahren nicht zwischen der oberen und unteren Heizplatte des Geräts eingeklemmt wird.
- Lassen Sie das Gerät während des Gebrauchs nicht unbeaufsichtigt.
- Dieses Gerät ist nicht dafür gedacht, über einen externen Zeitschalter oder eine separate Fernbedienung bedient zu werden.
- Stellen Sie keine Gegenstände auf den Grill, wenn der Deckel geschlossen ist oder wenn das Gerät gerade verwendet oder aufbewahrt wird.



Das Gerät ist mit dem Symbol für eine heiße Oberfläche gekennzeichnet. Der

Deckel und andere Oberflächen erhitzen sich während des Gerätebetriebs und bleiben auch noch einige Zeit nach dem Gebrauch heiß. Verwenden Sie zum Vermeiden von Verbrennungen immer isolierte Ofenhandschuhe oder hitzeisolierte Griffe sofern vorhanden.

- Stellen Sie vor dem Reinigen, Transportieren oder Verstauen sicher, dass das Gerät abgeschaltet, vom Stromnetz getrennt und abgekühlt ist.
- Benutzen Sie das Gerät nicht, wenn das Stromkabel, der Netzstecker oder das Gerät selbst in irgendeiner Weise beschädigt sind. Im Falle von Beschädigungen oder Wartungsarbeiten, die über die gewöhnliche Reinigung hinausgehen, kontaktieren Sie den Sage®-Kundendienst oder besuchen Sie sageappliances.com
- Mit Ausnahme der Reinigung müssen sämtliche Wartungsarbeiten von einer autorisierten Sage®-Kundendienststelle durchgeführt werden.
- Das Gerät ist kein Spielzeug für Kinder.

- Dieses Gerät darf von Kindern ab 8 Jahren und Personen mit eingeschränkten körperlichen, sensorischen oder geistigen Fähigkeiten oder Personen, denen es an Erfahrung und Kenntnis mangelt, nur unter Beaufsichtigung benutzt werden oder wenn sie in die sichere Handhabung des Geräts eingewiesen wurden und die damit verbundenen Gefahren verstehen.
- Das Gerät darf nur von Kindern mit einem Mindestalter von 8 Jahren und unter Beaufsichtigung gereinigt werden.
- Das Gerät und das Netzkabel müssen außerhalb der Reichweite von Kindern unter 8 Jahren aufbewahrt werden.
- Als zusätzliche Schutzmaßnahme bei der Verwendung von Elektrogeräten wird die Installation eines Schutz- oder Sicherheitsschalters empfohlen. Ideal sind Sicherheitsschalter mit einer Nennleistung von maximal 30 mA. Wenden Sie sich an einen Elektriker für fachgerechte Beratung.



Dieses Symbol bedeutet, dass das Gerät nicht mit dem gewöhnlichen Haushaltsmüll entsorgt werden darf. Stattdessen muss es zu einer für diesen Zweck eingerichteten behördlichen Sammelstelle oder zu einem Händler gebracht werden, der Entsorgung anbietet. Weitere Informationen dazuerhalten Sie bei Ihrem Gemeindeamt.

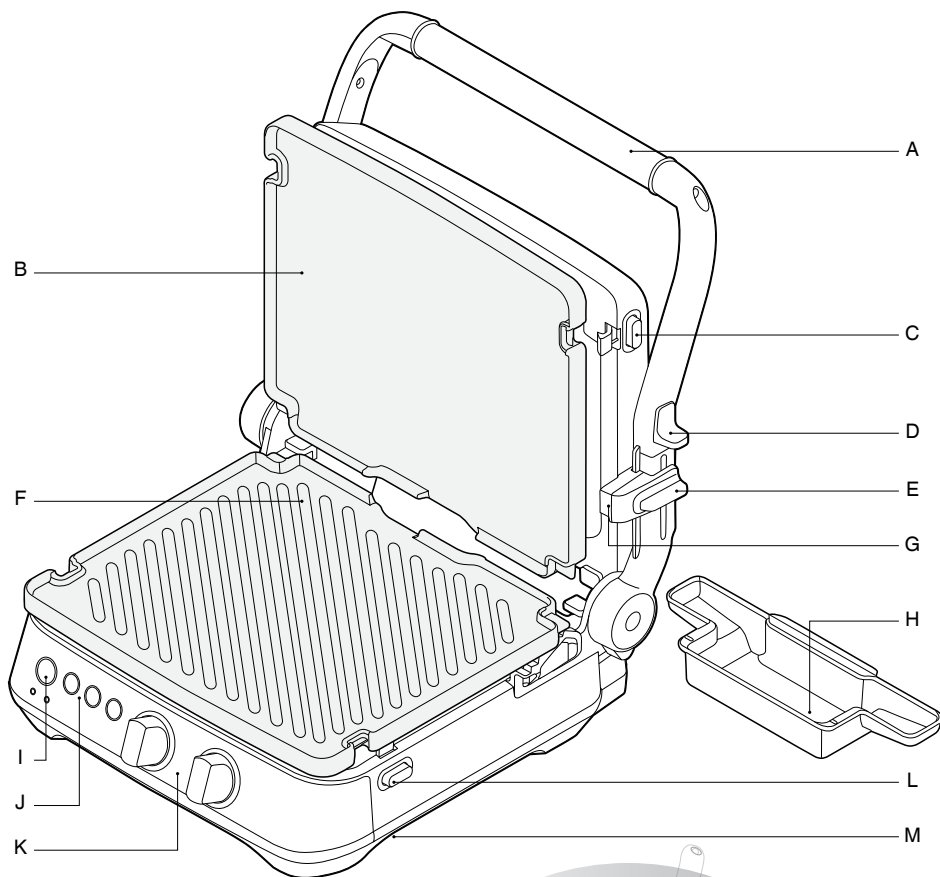


Um sich vor Stromschlägen zu schützen, tauchen Sie den Netzstecker, das Netzkabel oder das Gerät nicht in Wasser oder eine andere Flüssigkeit ein.

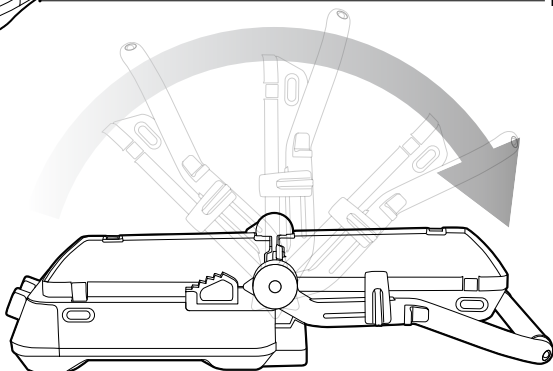
**NUR FÜR DEN HAUSGEBRAUCH
BESTIMMT. ANLEITUNG BITTE
AUFBEWAHREN**



Komponenten



**Offener, flacher
BBQ-Modus**
Ebene Grillfläche
von 1500 cm².



Leistungsdaten

220-240 V ~ 50-60 Hz 1500-1800 W

A. Edelstahlgriff

mit Druckguss-Scharnier.

B. Antihaftbeschichtete, wendbare Keramikplatten

Wendbare Platten mit hitzebeständiger Keramikbeschichtung für Zubereitung ohne Öl und einfache Reinigung. PFOA- und PTFE-frei.

C. Obere Plattenentriegelung

Dient zum Herausnehmen der oberen Kochplatte.

Die obere und untere Kochplatte lassen sich zur einfachen Reinigung oder zum Austauschen der Platten jeweils einzeln herausnehmen.

D. BBQ-Sperrentriegelung

E. 6 verschiedene Höheneinstellungen

Reduziert den Druck der oberen Platte auf empfindliche Nahrungsmittel oder lässt sich hoch genug zum Garen von unabgedeckten Speisen einstellen.

F. Herausnehmbare, spülmaschinenfeste Platten

Die flache Seite eignet sich ideal für Eier und Pfannkuchen, während die geriffelte Seite perfekt zum Anbraten von Fleisch ist.

G. Verschlussclip für die Aufbewahrung

Hält die Platten für die Aufbewahrung in aufrechter Position fest zusammen.

H. Integrierte, herausnehmbare Abtropfschale

Fängt für gesündere Speisenzubereitung austretendes Fett auf. Im BBQ-Modus leitet das einzigartige Design das von beiden Platten abfließende Fett in die gleiche Abtropfschale ab.

I. EIN/AUS-Taste

J. Einstellungen für PANINI, BURGER UND STEAK

K. Unabhängige Plattentemperaturregelung

L. Untere Plattenentriegelung

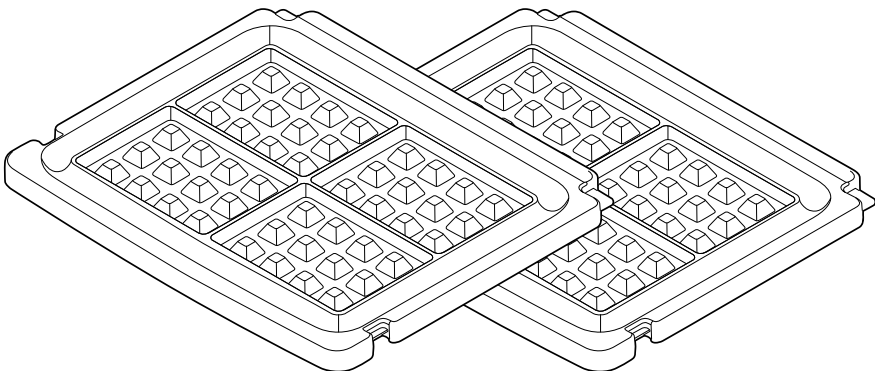
Dient zum Herausnehmen der unteren Kochplatte. Die obere und untere Kochplatte lassen sich zur einfachen Reinigung oder zum Austauschen der Platten jeweils einzeln herausnehmen.

M. Kabelaufbewahrung

Befindet sich an der Unterseite des Grills.

Zubehörset mit Waffeleisenplatten (separat erhältlich)

Platten für belgische Waffeln mit hochwertiger Antihaftbeschichtung – SGR001





Montage

VOR DEM ERSTEN GEBRAUCH

1. Entfernen und entsorgen Sie jegliches Verpackungsmaterial und Aufkleber vom Grill.
2. Wischen Sie die Kochplatten und die Abtropfschale mit einem weichen, feuchten Schwamm ab. Trocknen Sie alles gründlich ab.
3. Vergewissern Sie sich, dass die Abtropfschale richtig in den Grill eingesetzt ist.
4. Stellen Sie sicher, dass die Kochplatten richtig eingesetzt und sicher verriegelt sind.
5. Stellen Sie den Grill auf eine ebene, trockene Fläche.
Achten Sie auf einen Mindestabstand von 20 cm auf beiden Seiten des Geräts.
6. Entrollen Sie das Kabel vollständig und schließen Sie den Netzstecker an eine geerdete Steckdose an.
7. Der Grill-Alarm gibt ein Tonsignal aus und die POWER-Leuchte beginnt zu leuchten.
8. Drücken Sie die POWER-Taste. Der Grill gibt einen Piepton aus und die POWER-Leuchte beginnt zu leuchten. Das Gerät ist nun zum Vorerhitzen bereit.
9. Geben Sie dem Grill immer genügend Zeit zum vollständigen Erhitzen auf die eingestellte Temperatur, bevor Sie mit der Zubereitung von Speisen beginnen.
10. Der Grill gibt zwei Pieptöne aus, wenn die Platten die eingestellte Temperatur erreicht haben.

FUNKTIONSWEISE DES GRILLS

Der Grill verfügt über 2 PLATTENENTRIEGELUNGEN. Damit können Sie die obere und untere Kochplatte zur einfachen Reinigung oder zum Austauschen der Platten jeweils einzeln herausnehmen.

FUNKTIONSWEISE DER PLATTENENTRIEGELUNG:

- Stellen Sie immer sicher, dass der Grill vollständig abgekühlt ist.
- Verwenden Sie den Griff zum Öffnen der oberen Platte in die 90-Grad-Position.
- Verwenden Sie zum Entfernen der oberen Kochplatte die Plattenentriegelung auf der vorderen rechten Seite der oberen Platte, sowie zum Entfernen der unteren Kochplatte die Plattenentriegelung auf der rechten Seite des Bedienfelds.
- Ziehen Sie nach dem Entriegeln die Platten vorsichtig aus dem Grill heraus.
- Wenn Sie den Grill als Kontaktgrill oder Sandwichpresse nutzen, lösen Sie den Clip und heben Sie gleichzeitig den Griff an.



HINWEIS

Beim ersten Einschalten und Erhitzen kann es sein, dass der Grill einen feinen Rauchdunst abgibt. Der Grund dafür sind Schutzstoffe auf den Heizelementen. Es besteht keine Gefahr und die Leistung des Grills wird nicht beeinträchtigt.



WARNUNG

Verwenden Sie keine Antihafsprays, da dies die Antihafbeschichtung der Kochplatten beeinträchtigen kann.

Verwenden Sie keine aus Metall bestehenden oder scharfen Utensilien, da dadurch die Antihafbeschichtung der Kochplatten beschädigt werden kann.



Funktionen

VERWENDUNG ALS KONTAKTGRILL ODER PANINI-PRESSE

1. Vergewissern Sie sich, dass die Abtropfschale richtig in den Grill eingesetzt ist.
2. Stellen Sie sicher, dass die Kochplatten richtig eingesetzt und sicher verriegelt sind.
3. Stellen Sie den Grill auf eine ebene, trockene Fläche. Achten Sie auf einen Mindestabstand von 20 cm auf beiden Seiten des Geräts.
4. Entrollen Sie das Kabel vollständig und schließen Sie den Netzstecker an eine geerdete Steckdose an.
5. Drücken Sie die POWER-Taste. Der Grill-Alarm gibt ein Tonsignal aus und die POWER-Leuchte beginnt zu leuchten.
6. Vorerhitzen des Grills:
 - a) Achten Sie darauf, dass die obere Platte des Grills geschlossen ist. Dadurch wird schnelleres und effizienteres Vorerhitzen sichergestellt.
 - b) Stellen Sie die Drehregler für die Temperatúrauswahl für die untere und obere Platte auf 230° C ein. Alternativ können Sie zum schnellen Vorerhitzen auch die Voreinstellungstasten für PANINI oder BURGER drücken. Der Grill wird aufgewärmt und die rote PREHEATING-Leuchte (Vorerhitzen) leuchtet auf.
 - c) Geben Sie dem Grill Zeit zum Vorerhitzen.
7. Sobald der Grill auf die eingestellte Temperatur aufgewärmt ist, gibt der Grill-Alarm ein Tonsignal aus und die PREHEATING-Leuchte (Vorerhitzen) schaltet sich aus. Die READY-Leuchte (Fertig) leuchtet auf.
8. Platzieren Sie Speisen auf der unteren Kochplatte.
9. Verwenden Sie den Griff zum Schließen der oberen Kochplatte. Die obere Kochplatte verfügt über zwei Eigenschaften für optimale Zubereitung:
 - a) **Abdeckplatte mit schwebendem Scharnier.** Die obere Kochplatte ist mit einem Scharnier ausgestattet, mit dem sich die obere Platte so positionieren lässt, dass sie waagrecht auf den platzierten Speisen aufliegt. So wird sichergestellt, dass alle Speisen vorn ebenso gleichmäßig gegart werden wie hinten. Es ist auch möglich, die obere Platte so zu positionieren, dass sie über den platzierten Speisen schwebt und für Kreationen wie unbedeckte Sandwiches mit zu schmelzendem Käse entsprechende Hitze abgibt.
 - b) **Anpassbare Höheneinstellung.** Diese Funktionalität reduziert den Druck der oberen Platte auf empfindliche Nahrungsmittel wie Fisch und ermöglicht das Anpassen an die unterschiedlichen Dicken von Lebensmitteln wie rustikale Brote etc. Der Clip befindet sich auf der rechten Seite der oberen Platte und fixiert die obere Platte an verschiedenen Positionen über der unteren Platte. Heben Sie zum Anpassen der Höheneinstellung die obere Platte mit dem Griff an und bewegen Sie gleichzeitig den Clip für die Höheneinstellung auf die gewünschte Höhe. Senken Sie dann die obere Platte langsam ab, bis sie auf dem Clip für die Höheneinstellung aufliegt.
10. Sobald die Speisenzubereitung abgeschlossen ist, nehmen Sie die Speisen mithilfe von hitzebeständigen Utensilien aus Kunststoff oder Holz aus dem Grill heraus.

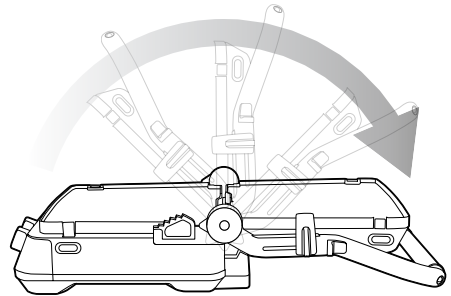
VERWENDUNG IM OFFENEN BBQ-MODUS

Der Grill verfügt über eine ebene Grillfläche von 1500 cm². Die geriffelte Kochplatte ist ideal für das Anbraten von Fleisch, während sich die Kochplatte mit flacher Oberfläche ideal für Eier, Pfannkuchen und Gemüse eignet.

1. Vergewissern Sie sich, dass die Abtropfschale richtig in den Grill eingesetzt ist.
2. Stellen Sie sicher, dass die Kochplatten richtig eingesetzt und sicher verriegelt sind.
3. Stellen Sie den Grill auf eine ebene, trockene Fläche. Achten Sie auf einen Mindestabstand von 20 cm auf beiden Seiten des Geräts.
4. Entrollen Sie das Kabel vollständig und schließen Sie den Netzstecker an eine geerdete Steckdose an.
5. Drücken Sie die POWER-Taste. Der Grill gibt einen Piepton aus und die POWER-Leuchte beginnt zu leuchten.
6. Vorerhitzen des Grills:
 - a) Achten Sie darauf, dass die obere Platte des Grills geschlossen ist. Dadurch wird schnelleres und effizienteres Vorerhitzen sichergestellt.
 - b) Stellen Sie die Drehregler für die Temperatúrauswahl für die untere und obere Platte auf 230° C ein. Alternativ können Sie zum schnellen Vorerhitzen auch die Voreinstellungstaste für STEAK drücken.
 - c) Der Grill wird aufgewärmt und die rote PREHEATING-Leuchte (Vorerhitzen) leuchtet auf.
 - d) Geben Sie dem Grill Zeit zum Vorerhitzen.
7. Sobald der Grill auf die eingestellte Temperatur aufgewärmt ist, gibt der Grill-Alarm ein Tonsignal aus und die PREHEATING-Leuchte (Vorerhitzen) schaltet sich aus. Die grüne READY-Leuchte (Fertig) leuchtet auf.

8. Zum vollständigen Öffnen des Grills für den BBQ-Modus:

- a) Vergewissern Sie sich, dass der Grill die richtige Temperatur erreicht hat und die rote PREHEATING-Leuchte (Vorerhitzen) nicht mehr leuchtet.
- b) Stellen Sie sicher, dass der Griff zum Schließen der oberen Kochplatte geschlossen ist. Der Clip für die Höheneinstellung auf der rechten Seite der oberen Platte muss auf die Position OPEN (offen) eingestellt sein.
- c) Halten Sie den Griff mit der linken Hand. Ziehen Sie mit der rechten Hand den Clip für die Höheneinstellung in Ihre Richtung in die BBQ-Modus-Position. Ziehen Sie den Clip weiter nach vorne und heben Sie gleichzeitig den Griff an, um den Grill zu öffnen, und senken Sie dann die obere Platte vorsichtig in die horizontale BBQ-Modus-Position.



9. Platzieren Sie Speisen auf einer oder beiden Kochplatten.
10. Sobald die Speisenzubereitung abgeschlossen ist, nehmen Sie die Speisen mithilfe von hitzebeständigen Utensilien aus Kunststoff oder Holz aus dem Grill heraus.



Pflege und Reinigung

Schalten Sie den Grill durch Drücken der POWER-Taste aus. Ziehen Sie den Netzstecker aus der Steckdose. Lassen Sie den Grill vollständig abkühlen, bevor Sie das Gerät zerlegen und reinigen.

Reinigen Sie nach jedem Gebrauch immer alle äußeren Teile, die Abtropfschale und die Kochplatten, damit sich keine Speiserückstände ansammeln.



HINWEIS

Verwenden Sie zum Reinigen der Innen- oder Außenflächen des Grills keine Scheuermittel oder Scheuerschwämme aus Metall. Dadurch werden die Oberflächen verkratzt und die Antihafbeschichtung der Kochplatten beschädigt.



WARNUNG

Die äußeren Teile, das Netzkabel oder der Netzstecker dürfen niemals in Wasser oder andere Flüssigkeiten getaucht werden, da dies Stromschläge auslösen kann.

REINIGEN DER ÄUSSEREN TEILE

Wischen Sie die äußeren Teile mit einem weichen, feuchten Schwamm ab. Verwenden Sie einen nicht scheuernden Flüssigreiniger oder ein mildes Reinigungsspray, um Ablagerungen zu verhindern. Tragen Sie das Reinigungsmittel vor dem Reinigen auf den Schwamm und nicht auf die Oberfläche des Grills auf. Spülen Sie gründlich mit Wasser ab. Lassen Sie alle Oberflächen gründlich trocknen, bevor Sie den Netzstecker an eine Steckdose anschließen.

REINIGEN DER ABTROPFSCHALE

Ziehen Sie nach jedem Gebrauch die Abtropfschale heraus und entsorgen Sie den Inhalt. Reiben Sie die Abtropfschale in warmem Seifenwasser mit einem weichen, feuchten Schwamm ab. Verwenden Sie einen nicht scheuernden Flüssigreiniger, um Ablagerungen zu verhindern. Tragen Sie das Reinigungsmittel vor dem Reinigen auf den Schwamm und nicht auf die Abtropfschale auf. Spülen und trocknen Sie die Komponenten gründlich. Bringen Sie die Abtropfschale wieder am Grill an, wenn Sie mit der Reinigung fertig sind, und bevor Sie den Netzstecker an eine Steckdose anschließen.



HINWEIS

Die Abtropfschale kann auch in der Geschirrspülmaschine gereinigt werden.



WARNUNG

Äußerste Vorsicht ist geboten bei der Handhabung der Abtropfschale, während sich heißes Fett oder eine andere heiße Flüssigkeit darin befindet.

REINIGEN DER KOCHPLATTEN

1. Wischen Sie die Kochplatten mit einem weichen, feuchten Tuch ab, um Lebensmittlrückstände zu entfernen.
2. Alternativ können Sie auch die Kochplatten entriegeln und herausnehmen:
 - a) Stellen Sie immer sicher, dass der Grill vollständig abgekühlt ist.
 - b) Verwenden Sie den Griff zum Öffnen der oberen Platte in die 90-Grad-Position.

- c) Verwenden Sie zum Entfernen der oberen Kochplatte die **PLATTENENTRIEGELUNG** auf der vorderen rechten Seite der oberen Platte, sowie zum Entfernen der unteren Kochplatte die **PLATTENENTRIEGELUNG** auf der rechten Seite des Bedienfelds.
- d) Ziehen Sie nach dem Entriegeln die Platten vorsichtig aus dem Grill heraus.
3. Platzieren Sie die Kochplatten in der Geschirrspülmaschine (ausschließlich im oberen Fach).
 4. Alternativ können Sie die Kochplatten in heißem Seifenwasser mit einem weichen, feuchten Schwamm abwaschen. Verwenden Sie einen nicht scheuernden Flüssigreiniger, um Ablagerungen zu verhindern. Tragen Sie das Reinigungsmittel vor dem Reinigen auf den Schwamm und nicht auf die Kochplatte auf. Entfernen Sie hartnäckige Rückstände mit einem nicht scheuernden Topfschwamm aus Kunststoff oder einer Waschbürste aus Nylon.
 5. Spülen und trocknen Sie die Komponenten gründlich. Bringen Sie die Kochplatten wieder sicher am Grill an, wenn Sie mit der Reinigung fertig sind, und bevor Sie den Netzstecker an eine Steckdose anschließen.



HINWEIS

Verwenden Sie keine Scheuermittel oder Scheuerschwämme aus Metall zum Reinigen der Kochfläche der Kochplatten. Dadurch wird die Antihftbeschichtung der Kochplatten beschädigt.

AUFBEWAHRUNG

- Schalten Sie den Grill aus, indem Sie den Drehregler für die Temperatureauswahl auf die Position OFF setzen. Ziehen Sie den Netzstecker aus der Steckdose.
- Lassen Sie den Grill, die Kochplatten und die Abtropfschale vollständig abkühlen.
- Vergewissern Sie sich, dass der Grill, die Kochplatten und die Abtropfschale sauber und trocken sind.
- Vergewissern Sie sich, dass Sie die Abtropfschale wieder richtig in den Grill eingesetzt haben.
- Stellen Sie sicher, dass Sie die Kochplatten wieder richtig eingesetzt und sicher verriegelt haben.
- Stellen Sie sicher, dass die Kochplatten aufeinander aufliegen und verriegelt sind, indem Sie den Clip für die Höheneinstellung auf die Position LOCK (Verriegeln) setzen.
- Wickeln Sie das Stromkabel auf und platzieren Sie es in der Kabelaufbewahrung an der Unterseite des Grills.
- Platzieren Sie das Gerät zur Aufbewahrung auf einer flachen, trockenen Fläche. Alternativ lässt sich der Grill auch in aufrechter Position aufbewahren.



Garantie

2 JAHRE BESCHRÄNKTE GARANTIE

Sage Appliances gibt auf dieses Produkt für den häuslichen Gebrauch in bestimmten Gebieten eine Garantie über 2 Jahre ab Kaufdatum für Mängel, die durch fehlerhafte Verarbeitung und Materialien verursacht wurden. Während dieser Garantiezeit wird Sage Appliances jedes fehlerhafte Produkt reparieren, ersetzen oder das Geld zurückerstatten (nach eigenem Ermessen von Sage Appliances).

Alle gesetzlichen Gewährleistungsrechte nach geltendem nationalem Recht werden beachtet und durch unsere Garantie nicht beeinträchtigt. Die vollständigen Garantiebestimmungen und -bedingungen sowie Hinweise zur Geltendmachung von Ansprüchen finden Sie unter www.sageappliances.com.

the BBQ & Press™ Grill



FR GUIDE RAPIDE

Sage®



Table des matières


- 2 Sage recommande la sécurité avant tout
- 5 Composants
- 7 Assemblage
- 8 Fonctions
- 10 Entretien et nettoyage
- 12 Garantie

SAGE® RECOMMANDE LA SÉCURITÉ AVANT TOUT

Chez Sage®, la sécurité est une priorité. Nous concevons et fabriquons des produits consommateurs en mettant la sécurité de nos précieux clients, c'est-à-dire vous, au premier plan. Nous vous demandons également de faire attention lorsque vous utilisez un appareil électrique et de respecter les consignes suivantes.

CONSIGNES DE SÉCURITÉ IMPORTANTES LISEZ TOUTES LES INSTRUCTIONS AVANT UTILISATION ET CONSERVEZ- LES POUR RÉFÉRENCE ULTÉRIEURE

- Une version téléchargeable de ce document est également disponible sur sageappliances.com.
- Avant une première utilisation, assurez-vous que l'alimentation électrique est identique à celle illustrée sur l'étiquette sous l'appareil.
- Retirez tout emballage avant la première utilisation et éliminez-le de façon sûre.
- L'appareil est réservé à un usage domestique. N'utilisez pas l'appareil pour toute autre fin que son utilisation prévue. Ne l'utilisez pas sur un bateau ou dans des véhicules en mouvement. Ne l'utilisez pas en plein air. Une mauvaise utilisation peut engendrer des blessures.
- Déroulez entièrement le cordon d'alimentation avant utilisation.
- Placez l'appareil sur une surface stable, résistante à la chaleur, plane et sèche, loin du bord. Ne l'utilisez pas sur ou à proximité d'une source de chaleur (plaque chauffante, four ou cuisinière au gaz).

- Ne laissez pas le cordon d'alimentation suspendu au bord d'un plan de travail ou d'une table, entrer en contact avec des surfaces chaudes ou se nouer.
 - Placez l'appareil à au moins 20 cm des murs ou des matériaux sensibles à la chaleur/vapeur et prévoyez un espace suffisant au-dessus et sur tous les côtés pour la circulation de l'air.
 - Assurez-vous que le cordon d'alimentation ne reste pas coincé entre les plaques chauffantes supérieure et inférieure de l'appareil pendant l'utilisation ou lorsqu'il est rangé.
 - Ne laissez pas l'appareil sans surveillance lorsqu'il est en marche.
 - L'appareil ne doit pas être utilisé avec une minuterie externe ou un système de commande à distance séparé.
 - Ne placez rien au-dessus du gril lorsque le couvercle est fermé, ni lorsque l'appareil est utilisé ou rangé.
-  L'appareil est marqué avec un symbole surface CHAUDE. Le couvercle et les autres surfaces deviennent chauds lorsque l'appareil est en marche et pendant quelque temps après son utilisation. Afin d'éviter les brûlures, utilisez toujours des gants isolants, les poignées ou les boutons au besoin.
- Assurez-vous toujours que l'appareil est hors tension, débranché de la prise électrique et refroidi avant de le nettoyer, de le déplacer ou de le ranger.
 - N'utilisez pas l'appareil si le cordon d'alimentation, la prise ou l'appareil est endommagé de quelque manière que ce soit. En cas de dommages ou si un entretien autre que le nettoyage est nécessaire, contactez le service client Sage® ou consultez le site sageappliances.com
 - Tout entretien autre que le nettoyage doit être réalisé par un centre de services Sage® agréé.
 - Les enfants ne doivent pas jouer avec l'appareil.
 - Cet appareil peut être utilisé par des enfants âgés de 8 ans ou plus et des personnes aux capacités mentales, sensorielles ou physiques réduites, ou ayant peu d'expérience et de connaissances, uniquement sous supervision ou s'ils ont reçu des instructions sur l'utilisation sécuritaire de l'appareil et qu'ils comprennent les risques impliqués.
 - Le nettoyage de l'appareil ne doit pas être effectué par des enfants à moins qu'ils aient 8 ans ou plus, et ce, sous la surveillance d'un adulte.

- L'appareil et son cordon doivent être conservés hors de la portée des enfants de 8 ans et moins.
- L'installation d'un commutateur de sécurité de courant résiduel est recommandée pour fournir une sécurité supplémentaire lors de l'utilisation de tous les appareils électriques. Les interrupteurs différentiels avec un courant de fonctionnement nominal maximal de 30 mA sont recommandés. Consultez un électricien pour obtenir des conseils professionnels.



Le symbole illustré indique que cet appareil ne doit pas être jeté dans les ordures ménagères. Il doit être amené dans un centre de collecte de déchets local agréé désigné à cette fin ou à un revendeur proposant ce service. Pour en savoir plus, veuillez contacter le bureau de votre municipalité.

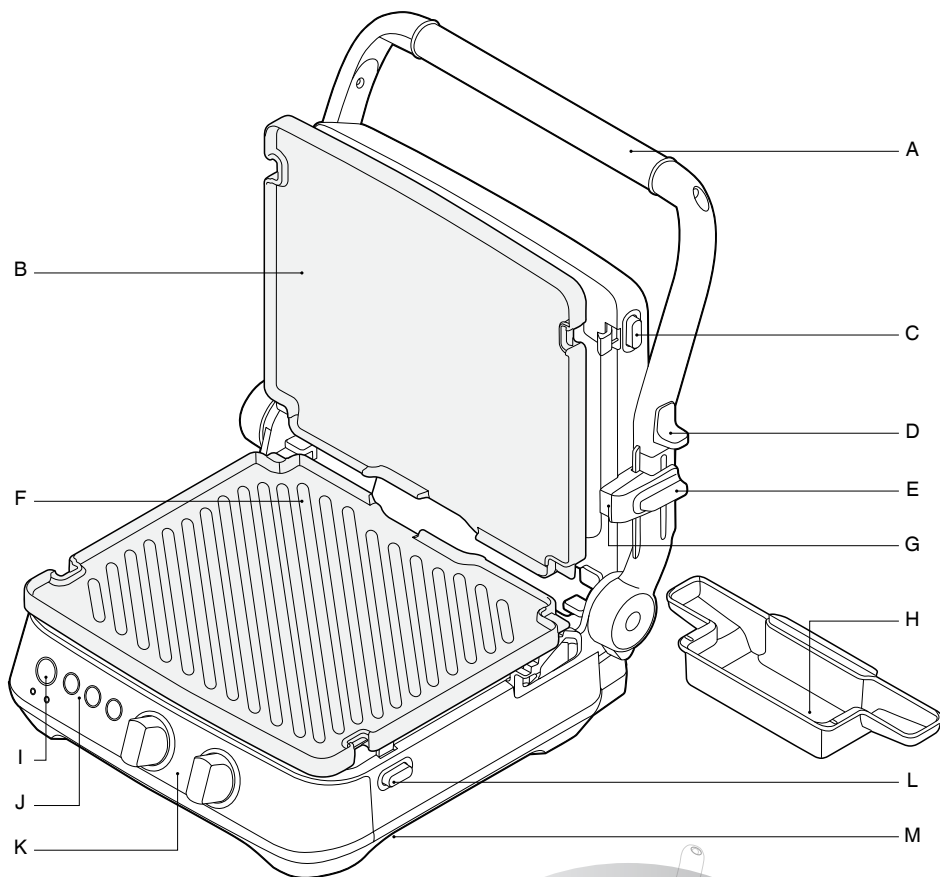


À des fins de protection contre les décharges électriques, ne plongez pas la prise électrique, le cordon ou l'appareil dans de l'eau ou dans un liquide.

**USAGE DOMESTIQUE UNIQUEMENT
CONSERVEZ CES INSTRUCTIONS**

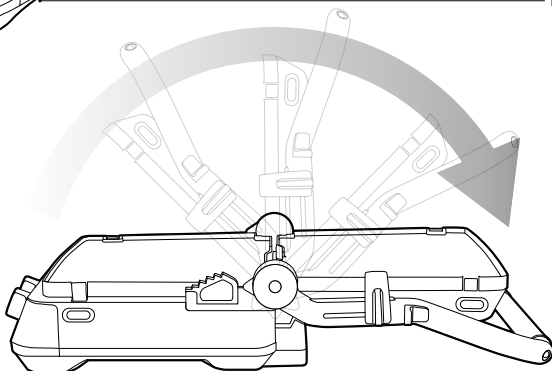


Composants



Mode barbecue ouvert à plat

Offre une surface plane
de grillage de 1500 cm².



Informations sur la tension nominale
220 – 240 V ~ 50 - 60 Hz 1500 – 1800 W

A. Poignée en acier inoxydable

Avec bras en métal moulé.

B. Plaques réversibles anti-adhésives en céramique

Plaques réversibles recouvertes de céramique Fusion HR pour une cuisson sans huile et un nettoyage facile. Sans PFOA ni PTFE.

C. Retrait de la plaque supérieure

Retire la plaque de cuisson supérieure. Retire séparément les plaques de cuisson supérieure et inférieure pour faciliter leur nettoyage ou échanger les places des plaques.

D. Bouton d'ouverture du barbecue

E. 6 réglages de hauteur

Réduit le poids de la plaque supérieure sur les aliments délicats ou peut être réglé à une hauteur suffisante pour les tartines.

F. Plaques amovibles lavables au lave-vaisselle

Côté plat pour les œufs et les crêpes, côté nervuré pour griller les viandes.

G. Clip de verrouillage pour rangement

Verrouille les plaques fermées pour un rangement vertical.

H. Bac d'égouttement intégré et amovible

Retient l'excédent de matière grasse pour une cuisson plus saine. En mode barbecue, le design unique permet d'égoutter les graisses des deux plaques dans le même bac d'égouttement.

I. Bouton de marche/arrêt

J. Réglages PANINI, BURGER ET STEAK

K. Contrôle indépendant de la température des plaques

L. Retrait de la plaque inférieure

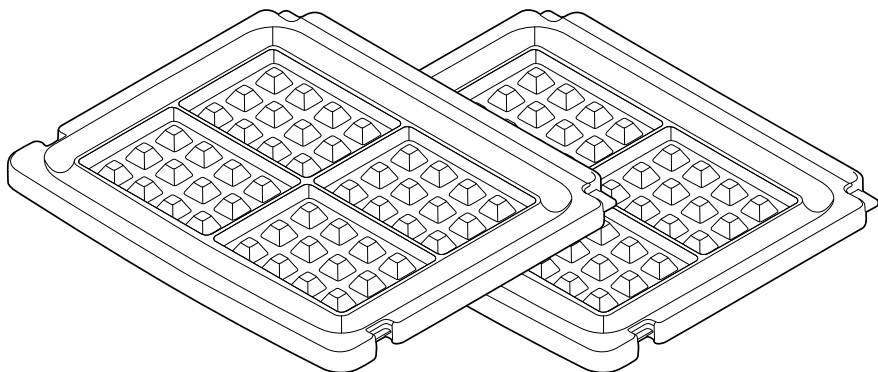
Retire la plaque de cuisson inférieure. Retire séparément les plaques de cuisson supérieure et inférieure pour faciliter leur nettoyage ou échanger les places des plaques.

M. Rangement du cordon

Situé en dessous du gril.

Accessoire pour plaques à gaufres (vendu séparément)

Plaques à gaufres belges avec revêtement anti-adhésif premium - SGR001





Assemblage

AVANT LA PREMIÈRE UTILISATION

1. Retirez tous les emballages et les étiquettes promotionnelles du gril et éliminez-les de façon sûre.
2. Essuyez les plaques de cuisson et le bac d'égouttement avec une éponge douce et humide. Séchez soigneusement.
3. Assurez-vous que le bac d'égouttement est correctement inséré dans le gril.
4. Assurez-vous que les plaques de cuisson sont correctement insérées et bien verrouillées en place.
5. Placez le gril sur une surface plane et sèche.
Assurez-vous qu'un espace minimal de 20 cm se trouve sur les deux côtés de l'appareil.
6. Déroulez complètement le cordon d'alimentation et branchez à une prise murale mise à la terre.
7. L'alerte du gril retentit et le voyant d'alimentation s'allume.
8. Appuyez sur le bouton POWER (Marche/Arrêt). Le gril émet un bip et le voyant d'alimentation reste allumé. À ce stade, le gril est prêt pour le cycle de préchauffage.
9. Laissez le gril se préchauffer entièrement à la température choisie avant de commencer le grillage.
10. Le gril émet deux bips lorsque les plaques atteignent la température sélectionnée.

COMMENT UTILISER LE GRIL

Le gril est équipé de 2 boutons PLATE RELEASE (RETRAIT DE LA PLAQUE). Ils permettent de retirer séparément les plaques de cuisson supérieure et inférieure pour faciliter leur nettoyage ou échanger les places des plaques.

Pour utiliser le bouton PLATE RELEASE (RETRAIT DE LA PLAQUE) :

- Assurez-vous toujours que le gril est complètement refroidi.
- Utilisez la poignée pour ouvrir la plaque supérieure à 90°.
- Utilisez le bouton Plate Release (Retrait de la plaque) à l'avant droit de la plaque supérieure pour retirer la plaque de cuisson supérieure, et le bouton Plate Release (Retrait de la plaque) à droite du panneau de commande pour retirer la plaque de cuisson inférieure.
- Une fois retirées, faites glisser doucement les plaques pour les faire sortir du gril.
- Lorsque vous utilisez le gril comme gril de contact ou presse-sandwich, libérez le clip de verrouillage et soulevez la poignée simultanément.



REMARQUE

Lorsque le gril est allumé et chauffé pour la première fois, il peut émettre une petite fumée. Cela est dû à la présence de substances protectrices sur les éléments de chauffage. Cette fumée est sans danger et ne nuit pas aux performances du gril.



AVERTISSEMENT

Évitez de pulvériser des revêtements anti-adhésifs, car cela peut affecter les performances des plaques de cuisson anti-adhésives.

N'utilisez jamais d'ustensiles coupants en métal, car ils peuvent endommager le revêtement anti-adhésif des plaques de cuisson.



Fonctions

UTILISER COMME GRIL DE CONTACT OU PRESSE-PANINI

1. Assurez-vous que le bac d'égouttement est correctement inséré dans le gril.
2. Assurez-vous que les plaques de cuisson sont correctement insérées et bien verrouillées en place.
3. Placez le gril sur une surface plane et sèche. Assurez-vous qu'un espace minimal de 20 cm se trouve sur les deux côtés de l'appareil.
4. Déroulez complètement le cordon d'alimentation et branchez à une prise murale mise à la terre.
5. Appuyez sur le bouton POWER (Marche/ Arrêt). L'alerte du gril retentit et le voyant d'alimentation s'allume.
6. Pour préchauffer le gril :
 - a) Assurez-vous que la plaque supérieure du gril est fermée. Le préchauffage sera ainsi plus rapide et plus efficace.
 - b) Tournez la molette de réglage de température sur 230 °C pour les plaques inférieure et supérieure. Vous pouvez également appuyer sur les boutons de pré-réglage PANINI ou BURGER pour un préchauffage rapide. Le gril commence à chauffer et le voyant rouge « PREHEATING » (préchauffage) s'allume.
 - c) Laissez le gril préchauffer.
7. Lorsque le gril est préchauffé à la température sélectionnée, l'alerte du gril retentit et le voyant de préchauffage s'éteint. Le voyant « READY » s'allume.
8. Placez les aliments sur la plaque de cuisson inférieure.
9. Fermez la plaque de cuisson supérieure avec la poignée. La plaque de cuisson supérieure possède deux fonctions destinées à offrir des résultats de cuisson optimaux :
 - a) Plaque supérieure flottante.**

La plaque de cuisson supérieure est articulée, ce qui permet à la plaque supérieure d'être placée horizontalement sur la surface des aliments. Cela permet une cuisson homogène de la nourriture à l'avant et à l'arrière. Cela permet également à la plaque supérieure de flotter au-dessus de la surface des aliments, dégageant de la chaleur pour préparer des sandwichs ouverts comme des tartines.
 - b) Contrôle de la hauteur réglable.**

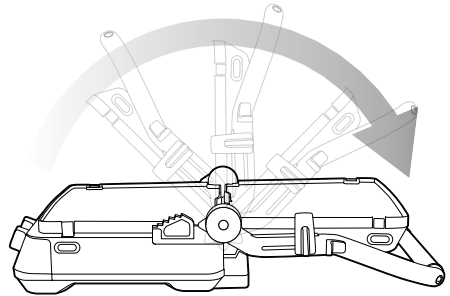
Cette fonction réduit le poids de la plaque supérieure sur les aliments délicats comme le poisson et peut s'adapter à des aliments de différentes épaisseurs comme les pains artisanaux. Le bouton situé sur le côté droit de l'appareil vous permet d'ajuster la hauteur de la plaque supérieure au-dessus de la plaque inférieure. Pour régler la hauteur, soulevez la plaque supérieure avec la poignée et faites glisser le bouton de contrôle vers la hauteur souhaitée. Ensuite, abaissez doucement la plaque supérieure jusqu'à ce qu'elle repose sur le bouton de réglage de la hauteur.
10. Une fois l'aliment grillé, retirez-le des plaques de cuisson avec des ustensiles en plastique résistants à la chaleur ou en bois.

UTILISER LE MODE BARBECUE À PLAT

Le gril est ouvert à plat sur une surface de grillage de 1500 cm². La plaque de cuisson striée est idéale pour griller des viandes, tandis que la plaque de cuisson plate est parfaitement adaptée pour les œufs, les crêpes et les légumes.

1. Assurez-vous que le bac d'égouttement est correctement inséré dans le gril.
2. Assurez-vous que les plaques de cuisson sont correctement insérées et bien verrouillées en place.
3. Placez le gril sur une surface plane et sèche. Assurez-vous qu'un espace minimal de 20 cm se trouve sur les deux côtés de l'appareil.
4. Déroulez complètement le cordon d'alimentation et branchez à une prise murale mise à la terre.
5. Appuyez sur le bouton POWER (Marche/ Arrêt). Le gril émet un bip et le voyant d'alimentation reste allumé.
6. Pour préchauffer le gril :
 - a) Assurez-vous que la plaque supérieure du gril est fermée. Le préchauffage sera ainsi plus rapide et plus efficace.
 - b) Tournez la molette de réglage de température sur 230 °C pour les plaques inférieure et supérieure. Vous pouvez également appuyer sur le bouton de pré-réglage STEAK pour un préchauffage rapide.
 - c) Le gril commence à chauffer et le voyant rouge « PREHEATING » s'allume.
 - d) Laissez le gril préchauffer.

7. Lorsque le gril est préchauffé à la température sélectionnée, l'alerte du gril retentit et le voyant de préchauffage s'éteint. Le voyant vert « READY » s'allume.
8. Pour ouvrir le gril en mode barbecue :
 - a) Assurez-vous que le gril est entièrement préchauffé et que le voyant rouge « PREHEATING » n'est plus allumé.
 - b) Vérifiez que la plaque de cuisson supérieure est bien fermée. Le bouton de contrôle de la hauteur à droite de la plaque supérieure doit être en position OPEN (ouverte).
 - c) Saisissez la poignée avec votre main gauche. Avec votre main droite, tirez vers vous le bouton de contrôle de la hauteur réglable en mode barbecue. Continuez de tirer le bouton vers vous et soulevez en même temps la poignée pour ouvrir le gril, puis abaissez doucement la plaque supérieure en position horizontale pour le mode barbecue.



9. Placez les aliments sur l'une ou sur les deux plaques de cuisson.
10. Une fois l'aliment grillé, retirez-le des plaques de cuisson avec des ustensiles en plastique résistants à la chaleur ou en bois.



Entretien et nettoyage

Assurez-vous que le gril est hors tension en appuyant sur le bouton POWER. Débranchez le cordon d'alimentation de la prise murale. Laissez le gril refroidir complètement avant de le démonter et de le nettoyer.

Nettoyez toujours le corps extérieur, le bac d'égouttement et les plaques de cuisson après chaque utilisation pour éviter que les ingrédients ne s'y accumulent.



REMARQUE

N'utilisez pas de nettoyeurs abrasifs ou d'éponges à récurer en métal sur les surfaces intérieures ou extérieures du gril. Ceux-ci peuvent rayer les surfaces et endommager le revêtement anti-adhésif des plaques de cuisson.



AVERTISSEMENT

N'immergez pas le corps, le cordon électrique ou la prise dans l'eau ou tout autre liquide, car cela pourrait provoquer une électrocution.

NETTOYAGE DU CORPS EXTÉRIEUR

Essayez le corps extérieur avec une éponge douce et humide. Vous pouvez utiliser un nettoyant liquide non abrasif ou une solution à pulvériser douce pour éviter les accumulations de taches. Appliquez le nettoyant sur l'éponge, et non sur la surface du gril, avant de la nettoyer. Rincez. Laissez toutes les surfaces sécher complètement avant de brancher le cordon d'alimentation à la prise murale.

NETTOYAGE DU BAC D'ÉGOUTTEMENT

Après chaque utilisation, retirez le bac d'égouttement et jetez son contenu. Lavez-le avec de l'eau savonneuse et une éponge douce et humide. Vous pouvez utiliser un nettoyant liquide non abrasif pour éviter les accumulations de taches. Appliquez le nettoyant sur l'éponge, et non sur le bac, avant de le nettoyer. Rincez et séchez soigneusement. N'oubliez pas de toujours remettre le bac d'égouttement dans le gril après le nettoyage avant de brancher le cordon d'alimentation à la prise murale.



REMARQUE

Le bac d'égouttement peut également être lavé au lave-vaisselle.



AVERTISSEMENT

Si vous devez manipuler le bac d'égouttement lorsqu'il contient des graisses et jus chauds, soyez très vigilant.

NETTOYAGE DES PLAQUES DE CUISSON

1. Essayez les plaques de cuisson avec un chiffon doux pour enlever les résidus d'aliments.
2. Vous pouvez également retirer les plaques de cuisson :
 - a) Assurez-vous toujours que le gril est complètement refroidi.
 - b) Utilisez la poignée pour ouvrir la plaque supérieure à 90°.

- c) Utilisez le bouton PLATE RELEASE (Retrait de la plaque) à l'avant droit de la plaque supérieure pour retirer la plaque de cuisson supérieure, et le bouton PLATE RELEASE (Retrait de la plaque) à droite du panneau de commande pour retirer la plaque de cuisson inférieure.
- d) Une fois retirées, faites glisser doucement les plaques pour les faire sortir du gril.
3. Mettez les plaques de cuisson au lave-vaisselle (étage supérieur uniquement).
 4. Vous pouvez également les laver avec de l'eau tiède savonneuse et une éponge douce et humide. Vous pouvez utiliser un nettoyant liquide non abrasif pour éviter les accumulations de taches. Appliquez le nettoyant sur l'éponge, et non sur la plaque, avant de la nettoyer. Enlevez les résidus tenaces avec un tampon à récurer non abrasif en plastique ou avec une brosse de nettoyage en nylon.
 5. Rincez et séchez soigneusement. N'oubliez pas de toujours réinsérer et remettre en place les plaques de cuisson dans le gril après le nettoyage avant de brancher le cordon d'alimentation à la prise murale.
- Assurez-vous que le bac d'égouttement est correctement réinséré dans le gril.
 - Assurez-vous que les plaques de cuisson sont correctement réinsérées et bien verrouillées en place.
 - Assurez-vous que les plaques de cuisson sont fixées ensemble en faisant glisser le contrôle de réglage de la hauteur jusqu'à la position LOCK (verrouillé).
 - Enroulez le cordon d'alimentation dans l'espace de rangement situé sous le gril.
 - Rangez l'appareil sur une surface plane et sèche. Vous pouvez également ranger le gril en position verticale.



REMARQUE

N'utilisez pas de nettoyeurs abrasifs ou d'éponges à récurer en métal pour nettoyer la surface de cuisson des plaques. Ceux-ci peuvent endommager le revêtement anti-adhésif des plaques de cuisson.

RANGEMENT

- Éteignez le gril en tournant le bouton de température en position OFF (arrêt). Débranchez le cordon d'alimentation de la prise murale.
- Laissez le gril, les plaques de cuisson et le bac d'égouttement refroidir complètement.
- Assurez-vous que le gril, les plaques de cuisson et le bac d'égouttement sont propres et secs.



Garantie

GARANTIE LIMITÉE 2 ANS

Sage Appliances garantit ce produit pour un usage domestique sur les territoires spécifiés pendant 2 ans à compter de la date d'achat, contre les défauts de fabrication et de matériaux. Au cours de cette période de garantie, Sage Appliances s'engage à réparer, remplacer ou rembourser tout produit défectueux (à sa seule discrétion).

Tous les droits de garantie légaux en vertu de la législation nationale applicable seront respectés et ne seront pas compromis par notre garantie. Pour connaître les conditions générales complètes relatives à la garantie ou pour obtenir des instructions sur la manière de déposer une réclamation, rendez-vous sur www.sageappliances.com.

de BBQ & Press™ Grill



NL SNESTARTGIDS

Sage®



Inhoud

- 2 Sage stelt veiligheid voorop
- 5 Onderdelen
- 7 Montage
- 8 Functies
- 10 Onderhoud en reiniging
- 12 Garantie

SAGE® STELT VEILIGHEID VOOROP

Bij Sage® gaan we zeer veiligheidsbewust te werk. Bij het ontwerpen en produceren van onze consumentenproducten staat de veiligheid van onze gewaardeerde klanten voorop. Daarnaast vragen wij u voorzichtig om te gaan met elektrische apparaten en de volgende voorzorgsmaatregelen in acht te nemen.

BELANGRIJKE VEILIGHEIDSMATREGELEN: LEES ALLE INSTRUCTIES VÓÓR GEBRUIK EN BEWAAR DEZE VOOR TOEKOMSTIGE NASLAG

- Een downloadbare versie van dit document is ook beschikbaar op sageappliances.com
- Controleer vóór het eerste gebruik of uw elektriciteitsvoorziening dezelfde is als die op het label aan de onderkant van het apparaat.
- Verwijder voor het eerste gebruik het verpakkingsmateriaal en gooi het op een veilige manier weg.
- Dit apparaat is alleen voor huishoudelijk gebruik. Gebruik het apparaat alleen voor het beoogde gebruik. Gebruik het niet in bewegende voertuigen of boten. Gebruik het niet buitenshuis. Verkeerd gebruik kan tot letsel leiden.
- Wikkel het netsnoer volledig af voordat u het apparaat gebruikt.
- Plaats het apparaat op een stabiele, hittebestendige, vlakke, droge ondergrond, weg van de rand, en gebruik het niet op of in de buurt van een warmtebron zoals een kookplaat, oven of gasfornuis.

- Zorg dat het netsnoer niet over de rand van een aanrecht of tafel hangt, in aanraking komt met hete oppervlakken of in de knoop raakt.
 - Plaats het apparaat op ten minste 20 cm van muren of warmte-/stoomgevoelige materialen en zorg voor voldoende ruimte voor luchtcirculatie, zowel boven als rondom het apparaat.
 - Zorg ervoor dat het netsnoer niet vast komt te zitten tussen de boven- en onderplaat van het apparaat wanneer het in gebruik of opgeborgen is.
 - Laat het apparaat niet onbeheerd achter tijdens gebruik.
 - Dit apparaat is niet ontworpen om te worden bediend met behulp van een externe timer of een afzonderlijk afstandsbedieningssysteem
 - Plaats niets op de grill wanneer het deksel dicht is, ongeacht of het in gebruik of opgeborgen is.
-
- Het apparaat is voorzien van een symbool voor HETE oppervlakken. Het deksel en andere oppervlakken zullen gedurende en enige tijd na gebruik heet zijn. Gebruik altijd beschermende ovenwanten om brandwonden te voorkomen of gebruik waar mogelijk handgrepen of hendels.
- Zorg er altijd voor dat het apparaat UIT staat, de stekker uit het stopcontact is getrokken en het apparaat is afgekoeld voordat u het schoonmaakt, verplaatst of opbergt.
 - Gebruik het apparaat niet als het netsnoer, de stekker of het apparaat op enigerlei wijze beschadigd is. Neem contact op met de klantenservice van Sage® of ga naar sageappliances.com als er sprake is van schade of er ander onderhoud dan reiniging is vereist.
 - Alle onderhoud anders dan reiniging moet worden uitgevoerd door een geautoriseerd Sage®-servicecentrum.
 - Laat kinderen niet met het apparaat spelen.
 - Dit apparaat kan worden gebruikt door kinderen van 8 jaar en ouder en personen met beperkte fysieke, zintuiglijke of mentale capaciteiten of een gebrek aan ervaring en kennis, mits zij worden begeleid of instructies hebben gekregen over het veilige gebruik van het apparaat en de gevaren ervan begrijpen.
 - Reiniging van het apparaat mag niet door kinderen worden uitgevoerd, tenzij ze ten minste 8 jaar oud zijn en onder toezicht staan.

- Het apparaat en het snoer moeten buiten het bereik van kinderen jonger dan 8 jaar worden gehouden.
- Het wordt aanbevolen een aardlekschakelaar te installeren voor extra veiligheid bij het gebruik van alle elektrische apparaten. Veiligheidsschakelaars met een nominale bedrijfsstroom van niet meer dan 30 mA worden aanbevolen. Raadpleeg een elektricien voor professioneel advies.

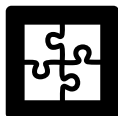


Het weergegeven symbool geeft aan dat dit apparaat niet met het normale huishoudelijk afval mag worden weggegooid. Het moet naar een geschikt plaatselijk afvalverwerkingscentrum worden gebracht of naar een provider die deze service biedt. Neem voor meer informatie contact op met uw gemeente.

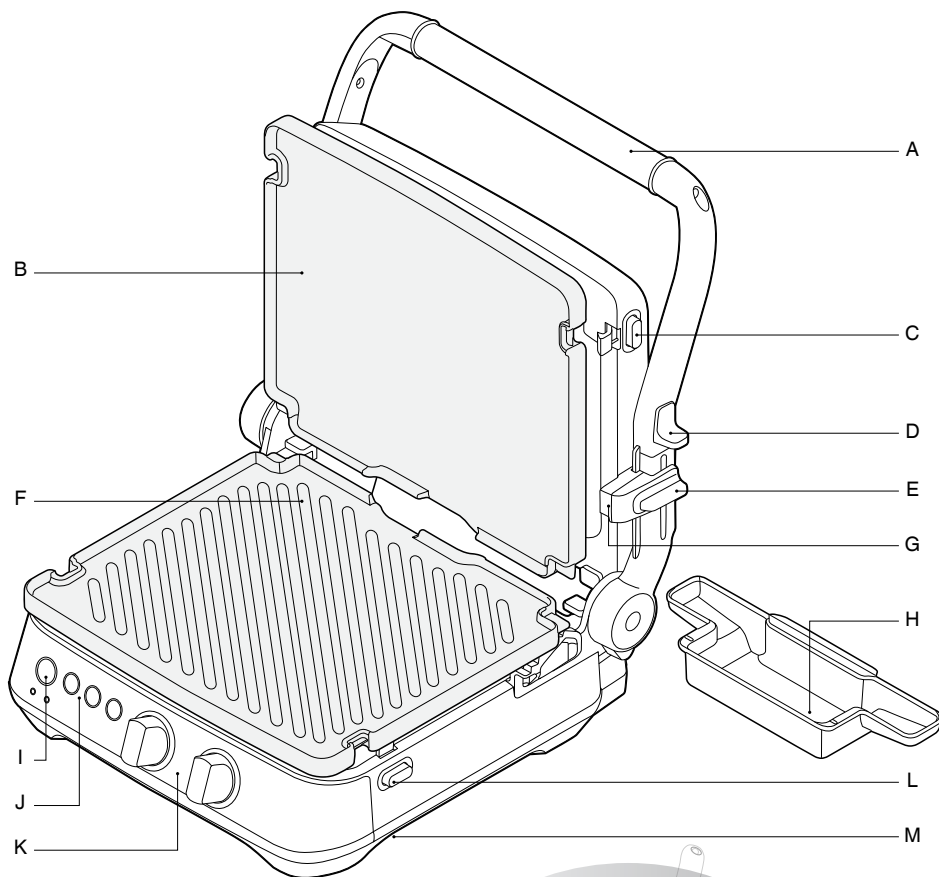


Dompel de stekker, het snoer of het apparaat niet onder in water of een andere vloeistof om elektrische schokken te voorkomen.

ALLEEN VOOR HUISHOUELIJK GEBRUIK BEWAAR DEZE INSTRUCTIES

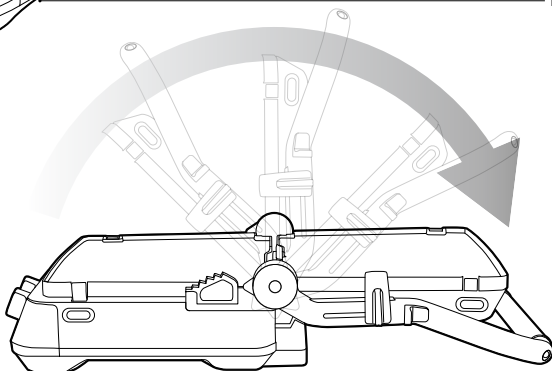


Onderdelen



Helemaal opengeklapt: BBQ-modus

Kan plat worden opengeklapt
op een grilloppervlak van
1500 cm².



CE Classificatiegegevens
220-240V ~50-60Hz 1500-1800W

A. Roestvrijstalen handvat

Met gegoten hendel.

B. Keramische, omkeerbare antiaanbakplaten

Omkeerbare platen met keramische Fusion HR-coating voor olievrij koken en eenvoudige reiniging. PFOA- en PTFE-vrij.

C. Knop voor ontgrendeling van de bovenplaat

Verwijdert de bovenste grillplaat. Verwijder de grillplaten aan de boven- en onderkant afzonderlijk voor eenvoudige reiniging of om ze te verwisselen.

D. Barbecue-ontgrendeling

E. 6 Hoogte-instelling

Vermindert het gewicht van de bovenplaat op delicate producten, of kan hoger worden ingesteld voor open tosti's.

F. Afneembare, vaatwasserbestendige platen

Platte zijde voor eieren en pannenkoeken, geribbelde zijde om vlees mee te schroeien.

G. Vergrendelingsklem voor opbergen

Vergrendelt de platen voor verticale opslag.

H. Geïntegreerde, verwijderbare opvangbak

Vangt overtollig vet op voor gezondere gerechten. In de BBQ-modus voert het unieke ontwerp het vet van beide platen af in dezelfde opvangbak.

I. AAN/UIT-knop

J. PANINI-, BURGER- EN STEAKINSTELLINGEN

K. Onafhankelijke temperatuurregeling voor platen

L. Knop voor ontgrendeling van de onderplaat

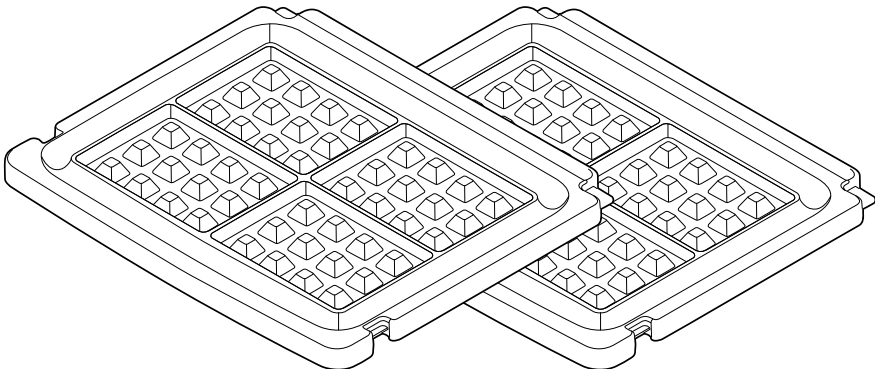
Verwijdert de onderste grillplaat. Verwijder de grillplaten aan de boven- en onderkant afzonderlijk voor eenvoudige reiniging of om ze te verwisselen.

M. Snoeropbergruimte

Te vinden aan de onderkant van de grill.

Wafelplaten (apart verkrijgbaar)

Platen voor Belgische wafels met hoogwaardige anti-aanbaklaag - SGR001





Montage

VOOR HET EERSTE GEBRUIK

1. Verwijder verpakkingsmaterialen en promotielabels van de grill en gooi ze op een veilige manier weg.
2. Veeg de grillplaten en opvangbak schoon met een zachte, vochtige spons. Droog alles grondig af.
3. Zorg ervoor dat de opvangbak correct in de grill is teruggeplaatst.
4. Zorg dat de kookplaten correct zijn geplaatst en goed zijn vergrendeld.
5. Plaats de grill op een vlak, droog oppervlak.
Houd minimaal 20 cm ruimte vrij aan weerszijden van het apparaat.
6. Wikkel het netsnoer volledig af en sluit de stekker aan op een geaard stopcontact.
7. Het grillsignaal klinkt en het POWER-lampje gaat aan.
8. Druk op de knop POWER. De grill piept en het POWER-lampje gaat aan. De grill kan nu worden voorverwarmd.
9. Laat de grill altijd volledig voorverwarmen tot de geselecteerde temperatuur voordat u begint met grillen.
10. De grill piept twee keer wanneer de platen de geselecteerde temperatuur hebben bereikt.

UW GRILL GEBRUIKEN

De grill heeft twee knoppen voor plaatontgrendeling (PLATE RELEASE). Hiermee kun je de grillplaten aan de boven- en onderkant afzonderlijk verwijderen voor eenvoudige reiniging, of om ze te verwisselen.

De plaatontgrendeling gebruiken:

- Zorg er altijd voor dat de grill volledig is afgekoeld.
- Gebruik de hendel om de bovenplaat in een positie van 90 graden te openen.

- Gebruik de plaatontgrendeling vooraan rechts aan de zijkant van de bovenplaat om de bovenste grillplaat te verwijderen en de ontgrendeling aan de rechterkant van het bedieningspaneel om de onderste grillplaat te verwijderen.
- Nadat de platen zijn vrijgegeven, schuift u ze voorzichtig van de grill.
- Gebruikt u de grill als contactgrill of tosti-apparaat, maak dan de clip los en til tegelijkertijd de hendel op.



OPMERKING

Wanneer u de grill voor het eerst inschakelt en verwarmt, kan er lichte rookontwikkeling optreden. Dit wordt veroorzaakt door de beschermende stoffen op de verwarmingselementen. Het is veilig en doet geen afbreuk aan de prestaties van de grill.



WAARSCHUWING

Gebruik geen antiaanbaksprays, omdat deze de prestaties van de antiaanbaklaag op de grillplaten aantasten.

Gebruik nooit metalen of scherpe voorwerpen. Deze kunnen de antiaanbaklaag van de grillplaten beschadigen.



Funcities

ALS CONTACTGRILL OF PANINIGRILL

1. Zorg ervoor dat de opvangbak correct in de grill is teruggeplaatst.
2. Zorg dat de kookplaten correct zijn geplaatst en goed zijn vergrendeld.
3. Plaats de grill op een vlak, droog oppervlak. Houd minimaal 20 cm ruimte vrij aan weerszijden van het apparaat.
4. Wikkel het netsnoer volledig af en sluit de stekker aan op een geaard stopcontact.
5. Druk op de knop POWER. Het grillsignaal klinkt en het POWER-lampje gaat aan.
6. De grill voorverwarmen:
 - a) Zorg dat de bovenste plaat van de grill gesloten is. Dit zorgt voor een snellere, efficiëntere voorverwarming.
 - b) Zet de temperatuurregelaars van zowel de boven- als onderplaat op 230°C. U kunt ook op de voorgeprogrammeerde knop PANINI of BURGER drukken voor snelle voorverwarming. De grill wordt warm en het rode lampje voor PREHEATING (voorverwarming) gaat AAN.
 - c) Wacht tot de grill is voorverwarmd.
7. Wanneer de grill tot de geselecteerde temperatuur is voorverwarmd, klinkt het grillsignaal en gaat PREHEATING (voorverwarming) uit. Het lampje READY gaat AAN.
8. Plaats etenswaren op de onderste grillplaat.

9. Gebruik de hendel om de bovenste grillplaat te sluiten. De bovenste grillplaat heeft twee functies die zijn ontworpen voor optimale prestaties:

a)Zwevende bovenplaat. Doordat de bovenste grillplaat een scharnier heeft, kan de plaat horizontaal op de etenswaren worden geplaatst. Hierdoor worden de voor- en achterkant van de etenswaren gelijkmatig gegaard. Ook kunt u de bovenplaat boven het voedseloppervlak laten zweven, zodat het warmte uitstraalt. Hiermee kunnen open tosti's worden gemaakt.

b)Hoogte-instelling. Deze functie vermindert het gewicht van de bovenplaat op delicate ingrediënten als vis. Ook is deze geschikt voor etenswaren van verschillende diktes, zoals ambachtelijk brood. De clip zit aan de rechterkant van de bovenplaat. Met behulp van deze clip kan de bovenplaat in verschillende standen boven de onderplaat worden vastgezet. Om de hoogte in te stellen, licht u de bovenplaat op met de hendel en verschuift u tegelijkertijd de clip voor hoogte-instelling naar de gewenste hoogte. Laat de bovenplaat vervolgens langzaam zakken totdat deze op de clip voor hoogte-instelling rust.

10. Verwijder de etenswaren van de grillplaten wanneer deze gaar zijn met keukengerei van hittebestendig plastic of hout.

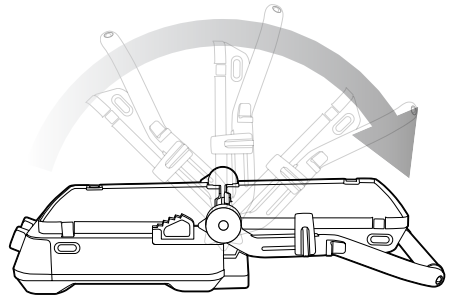
HELEMAAL OPENGEKLAPT: BBQ-MODUS

De grill kan worden opengeklapt tot een plat grilloppervlak van 1500 cm². De geribbelde grillplaat is perfect voor het braden van vlees en de platte grillplaat is ideaal voor eieren, pannenkoeken en groenten.

1. Zorg ervoor dat de opvangbak correct in de grill is teruggeplaatst.
2. Zorg dat de kookplaten correct zijn geplaatst en goed zijn vergrendeld.
3. Plaats de grill op een vlak, droog oppervlak. Houd minimaal 20 cm ruimte vrij aan weerszijden van het apparaat.
4. Wikkel het netsnoer volledig af en sluit de stekker aan op een geaard stopcontact.
5. Druk op de knop POWER. De grill piept en het POWER-lampje gaat aan.
6. De grill voorverwarmen:
 - a) Zorg dat de bovenste plaat van de grill gesloten is. Dit zorgt voor een snellere, efficiëntere voorverwarming.
 - b) Zet de temperatuurregelaars van zowel de boven- als onderplaat op 230°C. U kunt ook op de voorgeprogrammeerde knop STEAK drukken om snel voor te verwarmen.
 - c) De grill wordt warm en het rode lampje voor PREHEATING (voorverwarming) gaat AAN.
 - d) Wacht tot de grill is voorverwarmd.
7. Wanneer de grill tot de geselecteerde temperatuur is voorverwarmd, klinkt het grillsignaal en gaat PREHEATING (voorverwarming) uit. Het groene lampje READY gaat AAN.

8. De grill in BBQ-modus openen:

- a) Zorg dat de grill volledig is voorverwarmd en het rode lampje PREHEATING (voorverwarming) niet meer brandt.
- b) Zorg dat de bovenste grillplaat gesloten is. De clip voor hoogte-instelling die vooraan rechts aan de zijkant van de bovenplaat zit, moet in de stand OPEN staan.
- c) Pak met uw linkerhand de hendel vast. Trek met uw rechterhand de clip voor hoogte-instelling naar u toe, en zet deze in de stand voor de BBQ-modus. Blijf de clip naar voren trekken en til tegelijkertijd de hendel op om de grill te openen. Laat de bovenplaat vervolgens voorzichtig in de horizontale stand voor de BBQ-modus zakken.



9. Plaats etenswaren op een of beide grillplaten.
10. Verwijder de etenswaren van de grillplaten wanneer deze gaar zijn met keukengerei van hittebestendig plastic of hout.



Onderhoud en reiniging

Schakel de grill uit door op de POWER-knop te drukken. Haal de stekker uit het stopcontact. Laat de grill volledig afkoelen voordat u het apparaat uit elkaar haalt en reinigt.

Maak de buitenkant, opvangbak en grillplaten na elk gebruik schoon om aangekoekte etensresten te voorkomen.



OPMERKING

Gebruik geen schurende schoonmaakmiddelen of metalen schuursponsjes om de binnen- of buitenkant van de grill te reinigen. Deze brengen schade aan de oppervlakken en de antiaanbaklaag op de grillplaten aan.



WAARSCHUWING

Dompel het hoofddeel, het netsnoer of de stekker niet onder in water of een andere vloeistof. Dit kan elektrocutie veroorzaken.

DE BUITENKANT REINIGEN

Reinig de buitenkant met een zachte, vochtige spons. Een niet-schurend vloeibaar schoonmaakmiddel of milde spray kan gebruikt worden om hardnekkige vlekken te verwijderen. Breng het schoonmaakmiddel aan op een spons (niet op het oppervlak van de grill). Spoel af. Laat alle oppervlakken grondig drogen voordat u de stekker in het stopcontact steekt.

DE OPVANGBAK REINIGEN

Na elk gebruik moet de opvangbak uitgeschoven en geleegd worden. Was de opvangbak af in warm zeepsop met een zachte, vochtige spons. Een niet-schurend vloeibaar schoonmaakmiddel kan gebruikt worden om hardnekkige vlekken te verwijderen. Breng het schoonmaakmiddel aan op een spons (niet op de opvangbak zelf). Spoel en droog alles goed af. Zorg na reiniging altijd dat de opvangbak in de grill is teruggeplaatst voordat u de stekker in het stopcontact steekt.



OPMERKING

De opvangbak is vaatwasserbestendig.



WAARSCHUWING

Wees uiterst voorzichtig bij het hanteren van de opvangbak wanneer hier hete vloeistoffen in zitten.

DE GRILLPLATEN REINIGEN

1. Veeg de grillplaten schoon met een zachte doek om etensresten te verwijderen.
2. U kunt ook de grillplaten ontgrendelen en verwijderen:
 - a) Zorg er altijd voor dat de grill volledig is afgekoeld.
 - b) Gebruik de hendel om de bovenplaat in een positie van 90 graden te openen.
 - c) Gebruik de plaatontgrendeling vooraan rechts aan de zijkant van de bovenplaat om de bovenste grillplaat te verwijderen, en de ontgrendeling aan de rechterkant van het bedieningspaneel om de onderste grillplaat te verwijderen.
 - d) Nadat de platen zijn vrijgegeven, schuift u ze voorzichtig van de grill.

3. Plaats de grillplaten in de vaatwasser (enkel in de bovenste lade).
4. U kunt ook de grillplaten in warm zeepsop afwassen met een zachte, vochtige spons. Een niet-schurend vloeibaar schoonmaakmiddel kan gebruikt worden om hardnekkige vlekken te verwijderen. Breng voor het reinigen het schoonmaakmiddel aan op een spons (niet op de lade zelf). Verwijder hardnekkige resten met een niet-schurend plastic sponsje of nylon afwasborstel.
5. Spoel en droog alles goed af. Zorg na reiniging altijd dat de opvangbak correct is teruggezet en stevig is vergrendeld in de juiste positie, voordat u de stekker in het stopcontact steekt.



OPMERKING

Gebruik geen schurende schoonmaakmiddelen of metalen schuursponsjes om de oppervlakken van de grillplaten te reinigen. Deze brengen schade aan de antiaanbaklaag op de grillplaten aan.

OPBERGEN

- Zorg dat de grill is uitgeschakeld door de temperatuurregelaar op OFF te zetten. Haal de stekker uit het stopcontact.
- Laat de grill, kookplaten en opvangbak volledig afkoelen.
- Zorg dat de grill, kookplaten en opvangbak schoon en droog zijn.
- Zorg ervoor dat de opvangbak correct in de grill is teruggeplaatst.
- Zorg dat de kookplaten correct zijn teruggeplaatst en goed zijn vergrendeld.
- Zorg dat de grillplaten op elkaar vast zijn gezet door de clip voor hoogte-instelling in de stand LOCK (vergrendelen) te schuiven.
- Wikkel het netsnoer op in de snoeropbergruimte onder de grill.
- Opbergen op een vlak, droog oppervlak. De grill kan ook rechtop worden weggezet.



Garantie

BEPERKTE GARANTIE VAN 2 JAAR

Sage Appliances biedt een garantie op dit product voor huishoudelijk gebruik in genoemde gebieden gedurende 2 jaar vanaf de datum van aankoop tegen defecten veroorzaakt door gebrekkige afwerking en materialen. Gedurende deze garantieperiode zal Sage Appliances defecte producten repareren, vervangen of terugbetalen (naar eigen goeddunken van Sage Appliances).

Alle wettelijke garantierechten onder de toepasselijke nationale wetgeving worden gerespecteerd en onze garantie doet geen afbreuk aan deze rechten. Voor de algemene voorwaarden van de garantie, evenals instructies over hoe u aanspraak maakt op de garantie, gaat u naar www.sageappliances.com.

the BBQ & Press™ Grill



IT GUIDA RAPIDA

Sage®



Sommario

- 2 Sage consiglia: la sicurezza prima di tutto
- 5 Componenti
- 7 Montaggio
- 8 Funzioni
- 10 Manutenzione e pulizia
- 11 Garanzia

SAGE® CONSIGLIA: LA SICUREZZA PRIMA DI TUTTO

In Sage® abbiamo molto a cuore la sicurezza. Creiamo e commercializziamo prodotti di consumo tenendo sempre presente la sicurezza dei nostri clienti. Inoltre, invitiamo i clienti a prestare molta attenzione durante l'utilizzo degli apparecchi elettrici e a osservare le seguenti precauzioni.

NORME DI SICUREZZA IMPORTANTI - LEGGERE TUTTE LE ISTRUZIONI PRIMA DELL'USO E CONSERVARLE PER CONSULTARLE IN FUTURO

- Sul sito sageappliances.com è disponibile anche una versione scaricabile di questo documento.
- Prima di usare l'apparecchio per la prima volta, verifica che la tensione della rete corrisponda a quella indicata sull'etichetta posta sotto il dispositivo.
- Rimuovere e smaltire in sicurezza tutti i materiali di imballaggio prima di utilizzare l'apparecchio per la prima volta.
- Questo apparecchio è destinato esclusivamente all'uso domestico. Non utilizzare per usi diversi da quello previsto. Non utilizzare su veicoli in movimento o barche. Non utilizzare all'aperto. L'uso non corretto potrebbe provocare lesioni.
- Svolgere completamente il cavo prima dell'uso.
- Posizionare l'elettrodomestico su una superficie stabile, resistente al calore, piana e asciutta, lontano dal bordo della superficie. Utilizzare l'apparecchio lontano da fonti di calore come piastre elettriche, fornelli a gas o forni.

- Evitare che il cavo di alimentazione rimanga sospeso oltre il bordo di un tavolo o un banco, tocchi superfici calde o forni nodi.
- Posizionare l'apparecchio ad almeno 20 cm da pareti o materiali sensibili al calore e al vapore e lasciare uno spazio adeguato sopra e su tutti i lati per la circolazione dell'aria.
- Assicurarsi che il cavo di alimentazione non rimanga intrappolato tra le piastre calde superiore e inferiore dell'apparecchio durante l'uso o la conservazione.
- Non lasciare l'elettrodomestico incustodito durante il funzionamento.
- L'apparecchio non deve essere utilizzato per mezzo di un timer esterno o di un sistema di controllo remoto separato
- Non posizionare nulla sopra la griglia elettrica quando il coperchio è chiuso e quando l'elettrodomestico è in uso o a riposo.
- Prima di pulire, spostare o riporre l'elettrodomestico, assicurarsi sempre che sia spento e scollegato dalla presa di alimentazione e che si sia raffreddato a sufficienza.
- Non utilizzare l'elettrodomestico se il cavo di alimentazione, la presa o l'elettrodomestico stesso subiscono qualsiasi tipo di danneggiamento. Se l'elettrodomestico è danneggiato o richiede un intervento di manutenzione diverso dalla pulizia, contattare il Servizio clienti Sage® o visitare il sito [Web sageappliances.com](http://Web.sageappliances.com).
- Qualsiasi operazione di manutenzione diversa dalla pulizia deve essere eseguita da un centro assistenza Sage® autorizzato.
- Non lasciare che i bambini giochino con l'elettrodomestico.
- L'elettrodomestico può essere utilizzato da bambini di età superiore a 8 anni e da persone con ridotte capacità motorie, sensoriali o mentali o prive di esperienza o conoscenza dell'elettrodomestico stesso, a condizione che lo utilizzino sotto la supervisione di qualcuno o secondo specifiche istruzioni ricevute in merito all'uso in sicurezza dell'elettrodomestico e che comprendano i rischi associati.



L'elettrodomestico è contrassegnato con un simbolo che rappresenta superfici CALDE.

Quando l'elettrodomestico è in funzione e per qualche tempo dopo l'uso, il coperchio e le altre superfici saranno calde. Per evitare ustioni, utilizzare sempre guanti da forno isolati, oppure utilizzare maniglie o manopole ove disponibili.

- La pulizia dell'elettrodomestico può essere effettuata da bambini di età non inferiore a 8 anni e con la supervisione di un adulto.
- Tenere l'elettrodomestico e il cavo fuori dalla portata dei bambini di età pari o inferiore agli 8 anni.
- Si consiglia l'installazione di un interruttore salvavita per una maggiore sicurezza durante l'utilizzo di tutti i dispositivi elettrici. Si consiglia l'uso di un salvavita con corrente operativa nominale non superiore a 30 mA. Rivolgersi a un elettricista per un parere professionale.



Questo simbolo indica che l'apparecchio non può essere smaltito con i rifiuti domestici comuni. Deve essere conferito presso un centro di smaltimento locale specializzato o presso un rivenditore che fornisce questo servizio. Per ulteriori informazioni, contattare l'ufficio comunale locale.

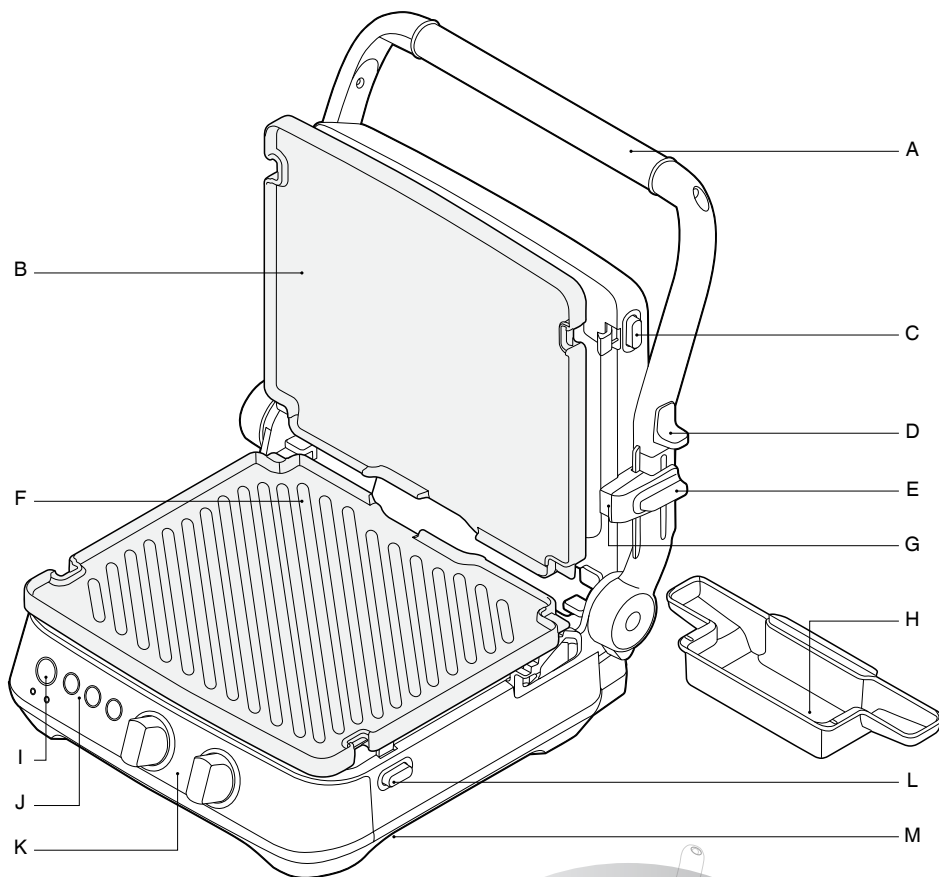


Per proteggersi dalle scariche elettriche, non immergere la spina, il cavo di alimentazione o l'elettrodomestico in acqua o in qualsiasi altro liquido.

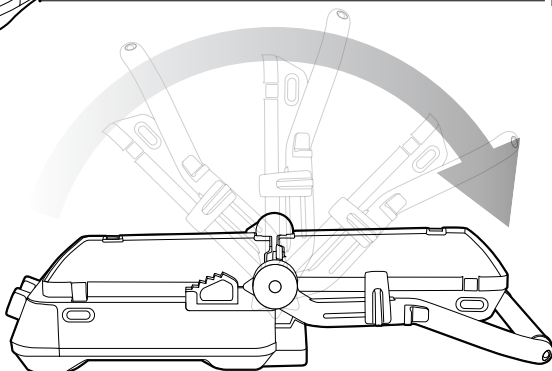
**SOLO PER USO DOMESTICO
CONSERVARE QUESTE ISTRUZIONI**



Componenti



La modalità BBQ
consente di ottenere
una superficie di cottura
aperta di 1500 cm².



CE **Informazioni sui valori nominali**
220-240 V ~ 50-60 Hz 1500-1800 W

A. Manico in acciaio inossidabile
con manici in metallo pressofuso.

B. Piastre antiaderenti e reversibili in ceramica

Piastre reversibili in ceramica con rivestimento Fusion HR, per cucinare senza olio e per una pulizia più facile. PFOA e PTFE Free.

C. Rilascio piastra superiore

Meccanismo per rimuovere la piastra di cottura superiore.

Consente di rimuovere in modo indipendente le piastre di cottura superiore e inferiore per scambiarne la posizione o per pulirle più facilmente.

D. Rilascio del blocco BBQ

E. 6 impostazioni di altezza regolabili

Questa funzione riduce il peso della piastra superiore su cibi delicati e può essere regolata al livello adatto per panini aperti.

F. Piastre rimovibili e lavabili in lavastoviglie

Lato liscio per uova e pancake, lato scanalato per scottare la carne.

G. Fermaglio di chiusura per la conservazione

Blocca le piastre in posizione e consente di riporre l'elettrodomestico in verticale.

H. Vassoio raccogliocce integrato rimovibile

Raccoglie il grasso in eccesso per cucinare in modo più salutare. In modalità BBQ, il design esclusivo convoglia il grasso di entrambe le piastre nello stesso vassoio raccogliocce.

I. Pulsante ON/OFF

J. Impostazioni per PANINI, BURGER (hamburger) e STEAK (bistecca)

K. Controllo indipendente della temperatura delle piastre

L. Rilascio piastra superiore

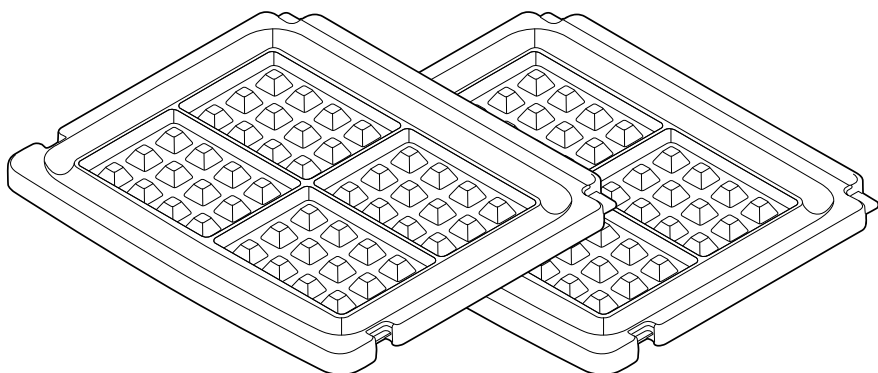
Meccanismo per rimuovere la piastra di cottura inferiore. Consente di rimuovere in modo indipendente le piastre di cottura superiore e inferiore per scambiarne la posizione o per pulirle più facilmente.

M. Alloggiamento del cavo

Situato nella parte inferiore della griglia.

Piastre per waffle (vendute separatamente)

Piastre per waffle belgi con rivestimento antiaderente di alta qualità - SGR001





Montaggio

PREPARAZIONE AL PRIMO UTILIZZO

1. Rimuovere e smaltire in sicurezza tutti i materiali di imballaggio e le etichette promozionali dalla griglia.
2. Pulire le piastre di cottura e il vassoio raccogliocce con una spugna morbida e umida. Asciugare a fondo.
3. Assicurarsi che il vassoio raccogliocce sia inserito correttamente nella griglia.
4. Assicurarsi che le piastre di cottura siano inserite correttamente e bloccate saldamente in posizione.
5. Posizionare la griglia su una superficie piana e asciutta. Assicurarsi che vi sia una distanza minima di 20 cm su entrambi i lati dell'apparecchio.
6. Srotolare completamente il cavo di alimentazione e inserire la spina in una presa a muro con messa a terra.
7. La griglia emetterà un segnale acustico e la spia POWER (alimentazione) si accenderà.
8. Premere il pulsante POWER (alimentazione). La griglia emetterà un segnale acustico e la spia POWER (alimentazione) si accenderà. A questo punto la griglia è pronta per il ciclo di preriscaldamento.
9. Lasciare sempre che la griglia si preriscaldi completamente alla temperatura selezionata prima della cottura.
10. La griglia emetterà un doppio segnale acustico una volta le piastre avranno raggiunto la temperatura selezionata.

COME UTILIZZARE LA GRIGLIA

La griglia dispone di 2 pulsanti PLATE RELEASE (rilascio piastra).

Questi consentono di rimuovere in modo indipendente le piastre di cottura superiore e inferiore per scambiare la posizione o per pulirle più facilmente.

Per utilizzare i pulsanti PLATE RELEASE (rilascio piastra):

- Assicurarsi sempre che la griglia sia completamente fredda.
- Utilizzare la maniglia per aprire la piastra superiore in una posizione a 90°.
- Utilizzare il pulsante PLATE RELEASE (rilascio piastra) sul lato anteriore destro della piastra superiore per rimuovere la piastra di cottura superiore e quello sul lato destro del pannello di controllo per rimuovere la piastra di cottura inferiore.
- Una volta rilasciate, estrarre delicatamente le piastre dalla griglia.
- Quando si utilizza la griglia come piastra grill a contatto o pressa per panini, rilasciare il fermaglio e sollevare contemporaneamente la maniglia.



NOTA

Quando la griglia è accesa e si sta riscaldando per la prima volta, si potrebbe notare una leggera nube di fumo. Ciò è dovuto alle sostanze protettive sugli elementi riscaldanti. Tutto ciò è sicuro e non pregiudica le prestazioni della griglia.



ATTENZIONE

Non applicare vernici antiaderenti spray in quanto ciò potrebbe compromettere le prestazioni delle piastre di cottura.

Non utilizzare mai utensili di metallo o affilati, poiché potrebbero danneggiare il rivestimento antiaderente delle piastre di cottura.



Funzioni

UTILIZZO COME PIASTRA GRILL A CONTATTO O COME PRESSA PER PANINI

1. Assicurarsi che il vassoio raccogliogocce sia inserito correttamente nella griglia.
2. Assicurarsi che le piastre di cottura siano inserite correttamente e bloccate saldamente in posizione.
3. Posizionare la griglia su una superficie piana e asciutta. Assicurarsi che vi sia una distanza minima di 20 cm su entrambi i lati dell'apparecchio.
4. Srotolare completamente il cavo di alimentazione e inserire la spina in una presa a muro con messa a terra.
5. Premere il pulsante POWER (alimentazione). La griglia emetterà un segnale acustico e la spia POWER (alimentazione) si accenderà.
6. Per preriscaldare la griglia:
 - a) Assicurarsi che la piastra superiore sia abbassata in posizione chiusa. Ciò garantirà un preriscaldamento più rapido ed efficiente.
 - b) Girare le manopole della temperatura a 230 °C su entrambe le piastre, inferiore e superiore. In alternativa, premere i pulsanti preimpostati PANINI o BURGER (hamburger) per preriscaldare le piastre rapidamente. La griglia inizierà a riscaldarsi e si accenderà la spia rossa PREHEATING (preriscaldamento).
 - c) Lasciare che la griglia si preriscaldi.
7. Una volta che la griglia avrà raggiunto la temperatura selezionata, verrà emesso un avviso e la spia PREHEATING (preriscaldamento) smetterà di lampeggiare. Si accenderà la spia READY (pronto).

8. Mettere il cibo sulla piastra di cottura inferiore.
9. Utilizzare la maniglia per chiudere la piastra di cottura superiore. La piastra superiore ha due funzionalità progettate per ottenere una cottura ottimale:

a) Piastra superiore regolabile.

La piastra di cottura superiore è incernierata e ciò consente di posizionarla orizzontalmente sulla superficie del cibo. Ciò garantisce che il cibo sia cotto uniformemente, sia sopra che sotto. Il meccanismo permette inoltre di mantenere la piastra superiore in posizione sospesa sopra la superficie del cibo in modo che il calore venga irradiato uniformemente per preparare panini aperti con farcitura da far fondere.

b) Controllo dell'altezza regolabile.

Questa funzione riduce il peso della piastra superiore su cibi delicati come il pesce e consente di gestire alimenti con diversi spessori, ad esempio il pane artigianale. Situata sul lato destro della piastra superiore, la leva fissa la piastra superiore in diverse posizioni sopra la piastra inferiore. Per impostare il controllo dell'altezza regolabile, utilizzare la maniglia per sollevare la piastra superiore e contemporaneamente spostare la leva di controllo all'altezza desiderata. Quindi abbassare lentamente la piastra superiore finché non si appoggia alla leva di controllo dell'altezza regolabile.

10. Quando il cibo è cotto, rimuoverlo dalle piastre di cottura usando utensili di plastica resistente al calore o di legno.

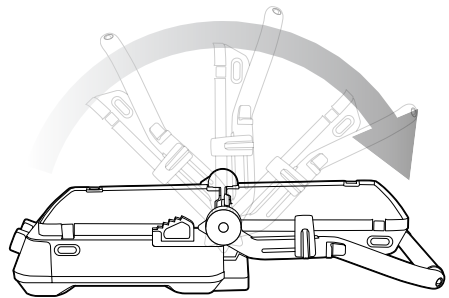
USO DELLA MODALITÀ OPEN FLAT BBQ

Quando è aperta, la griglia presenta una superficie di cottura pari a 1500 cm². La piastra di cottura con scanalature è perfetta per la cottura della carne, mentre quella liscia è ideale per uova, frittelle e verdure.

1. Assicurarsi che il vassoio raccogliogocce sia inserito correttamente nella griglia.
2. Assicurarsi che le piastre di cottura siano inserite correttamente e bloccate saldamente in posizione.
3. Posizionare la griglia su una superficie piana e asciutta. Assicurarsi che vi sia una distanza minima di 20 cm su entrambi i lati dell'apparecchio.
4. Srotolare completamente il cavo di alimentazione e inserire la spina in una presa a muro con messa a terra.
5. Premere il pulsante POWER (alimentazione). La griglia emetterà un segnale acustico e la spia POWER (alimentazione) si accenderà.
6. Per preriscaldare la griglia:
 - a) Assicurarsi che la piastra superiore sia abbassata in posizione chiusa. Ciò garantirà un preriscaldamento più rapido ed efficiente.
 - b) Girare le manopole della temperatura a 230 °C su entrambe le piastre, inferiore e superiore. In alternativa, premere il pulsante preimpostato STEAK (bistecca) per preriscaldare le piastre rapidamente.
 - c) La griglia inizierà a riscaldarsi e si accenderà la spia rossa PREHEATING (preriscaldamento).
 - d) Lasciare che la griglia si preriscaldi.
7. Una volta che la griglia avrà raggiunto la temperatura selezionata, verrà emesso un avviso e la spia PREHEATING (preriscaldamento) smetterà di lampeggiare. Si accenderà la spia verde READY (pronto).

8. Per aprire la griglia in modalità BBQ:

- a) Assicurarsi che la griglia sia completamente preriscaldata e che la spia rossa PREHEATING (preriscaldamento) non sia più illuminata.
- b) Assicurarsi che la piastra di cottura superiore sia chiusa. La leva di controllo dell'altezza regolabile, situata sul lato destro della piastra superiore, deve trovarsi nella posizione OPEN (aperta).
- c) Con la mano sinistra, afferrare la maniglia. Con la mano destra, tirare verso di sé la leva di controllo dell'altezza regolabile, posizionandola nella modalità BBQ. Continuare a tirare in avanti la leva e contemporaneamente sollevare la maniglia per aprire, quindi abbassare delicatamente la piastra superiore nella posizione orizzontale della modalità BBQ.



9. Disporre gli alimenti da cuocere su una o entrambe le piastre di cottura.
10. Quando il cibo è cotto, rimuoverlo dalle piastre di cottura usando utensili di plastica resistente al calore o di legno.



Manutenzione e pulizia

Assicurarsi che la griglia sia spenta premendo il pulsante POWER (alimentazione).

Scollegare il cavo di alimentazione dalla presa di corrente. Lasciare raffreddare completamente la griglia prima di smontarla e pulirla.

Pulire sempre il corpo esterno, il vassoio raccogliocce e le piastre di cottura dopo ogni utilizzo per evitare l'accumulo di residui.



NOTA

Non utilizzare detersivi abrasivi o spugne metalliche sulle superfici interne ed esterne della griglia, in quanto graffiano le superfici e danneggiano il rivestimento antiaderente delle piastre di cottura.



ATTENZIONE

Non immergere il corpo del prodotto, il cavo di alimentazione o la spina in acqua o in altro liquido; ciò potrebbe causare una scossa elettrica mortale.

PULIZIA DEL CORPO ESTERNO

Pulire il corpo esterno con una spugna morbida e umida. Per evitare la formazione di macchie, è possibile utilizzare un detergente liquido non abrasivo o una soluzione spray neutra. Applicare il detergente sulla spugna, non sulla superficie della griglia, prima di procedere alla pulizia. Risciacquare. Lasciare asciugare completamente tutte le superfici prima di inserire la spina in una presa di corrente.

PULIRE IL VASSOIO RACCOGLIOCCCE

Dopo ogni utilizzo, estrarre il vassoio raccogliocce e gettare il contenuto. Lavare il vassoio con acqua tiepida e sapone, usando una spugna morbida e umida. Per evitare la formazione di macchie, è possibile utilizzare un detergente liquido non abrasivo. Applicare il detergente sulla spugna, non sul vassoio, prima di pulire. Sciacquare e asciugare a fondo. Assicurarsi sempre di reinserire il vassoio raccogliocce nella griglia dopo averlo pulito e prima di inserire la spina in una presa di alimentazione.



NOTA

Il vassoio raccogliocce è lavabile in lavastoviglie.



ATTENZIONE

Usare estrema cautela nel maneggiare il vassoio raccogliocce contenente grasso e liquidi caldi.

PULIZIA DELLE PIASTRE DI COTTURA

1. Pulire le piastre di cottura con un panno morbido per rimuovere i residui di cibo.
2. In alternativa, rilasciare e rimuovere le piastre di cottura:
 - a) Assicurarsi sempre che la griglia sia completamente fredda.
 - b) Utilizzare la maniglia per aprire la piastra superiore in una posizione a 90°.
 - c) Utilizzare il pulsante PLATE RELEASE (rilascio piastra) sul lato anteriore destro della piastra superiore per rimuovere la piastra di cottura superiore e quello sul lato destro del pannello di controllo per rimuovere la piastra di cottura inferiore.
 - d) Una volta rilasciate, estrarre delicatamente le piastre dalla griglia.
3. Mettere le piastre di cottura nella lavastoviglie (solo ripiano superiore).

4. In alternativa, lavarle in acqua calda e sapone con una spugna morbida e umida. Per evitare la formazione di macchie, è possibile utilizzare un detergente liquido non abrasivo. Applicare il detergente sulla spugna, non sulla piastra, prima di pulire. Rimuovere i residui più tenaci con una spugnetta di plastica non abrasiva o una spazzola lavapiatti in nylon.
5. Sciacquare e asciugare a fondo. Assicurarsi sempre che le piastre di cottura siano reinserite correttamente e bloccate saldamente in posizione dopo la pulizia e prima di inserire la spina in una presa di alimentazione.



NOTA

Non utilizzare detergenti abrasivi o spugne metalliche per pulire la superficie delle piastre di cottura, in quanto danneggiano il rivestimento antiaderente delle piastre di cottura.

CONSERVAZIONE

- Assicurarsi che la griglia sia spenta ruotando la manopola della temperatura nella posizione OFF. Scollegare il cavo di alimentazione dalla presa di corrente.
- Lasciare raffreddare completamente la griglia, le piastre di cottura e il vassoio raccogliogocce.
- Assicurarsi che la griglia, le piastre di cottura e il vassoio raccogliogocce siano puliti e asciutti.
- Assicurarsi che il vassoio raccogliogocce sia stato reinserito correttamente nella griglia.
- Assicurarsi che le piastre di cottura siano reinserite correttamente e bloccate saldamente in posizione.
- Assicurarsi che le piastre di cottura siano bloccate insieme facendo scorrere la leva di controllo dell'altezza regolabile nella posizione LOCK (blocca).
- Avvolgere il cavo di alimentazione nell'alloggiamento situato sotto la griglia.
- Conservare su una superficie piana e asciutta. In alternativa, la griglia può essere conservata in posizione verticale.



Garanzia

GARANZIA LIMITATA DI 2 ANNI

Sage Appliances offre una garanzia per l'utilizzo domestico di questo prodotto in specifiche aree geografiche, per 2 anni dalla data di acquisto. La garanzia copre eventuali malfunzionamenti causati da difetti di fabbricazione o dei materiali. Durante il periodo coperto dalla garanzia, Sage Appliances sarà tenuta a riparare, sostituire o rimborsare l'importo corrispondente ai prodotti difettosi (a sola discrezione di Sage Appliances).

Tutti i diritti di garanzia previsti dalla legislazione nazionale applicabile verranno rispettati e non possono essere annullati dalla presente garanzia. Per i termini e le condizioni complete della garanzia e per istruzioni su come inviare una richiesta di risarcimento, visitare il sito www.sageappliances.com.



Note

the BBQ & Press™ Grill



ES GUÍA RÁPIDA

Sage®



Índice

- 2 Sage recomienda seguridad ante todo
- 5 Componentes
- 7 Ensamblaje
- 8 Funciones
- 10 Cuidado y limpieza
- 11 Garantía

SAGE® RECOMIENDA SEGURIDAD ANTE TODO

En Sage® nos preocupa enormemente la seguridad. Para el diseño y la fabricación de nuestros productos de consumo tenemos en cuenta antes que nada la seguridad de nuestros clientes, como tú. También te rogamos que actúes cuidadosamente al usar cualquier aparato eléctrico y que tomes las precauciones siguientes.

MEDIDAS DE SEGURIDAD IMPORTANTES LEE TODAS LAS INSTRUCCIONES ANTES DEL USO Y GUÁRDALAS PARA PODER CONSULTARLAS EN EL FUTURO.

- Hay una versión de este documento disponible en sageappliances.com para descargar.
- Antes de usar el producto por primera vez, asegúrate de que la potencia eléctrica de la toma de corriente coincida con la que figura en la etiqueta en la base del aparato.
- Retira y desecha de forma apropiada los materiales de embalaje antes del primer uso.
- Este aparato es solo para uso doméstico. No se debe utilizar para fines distintos de su uso previsto. No se debe utilizar en vehículos o embarcaciones en movimiento. No se debe utilizar al aire libre. El uso inapropiado podría causar lesiones.
- Desenrolla completamente el cable de alimentación antes de usar el aparato.
- Coloca el aparato sobre una superficie estable, resistente al calor, nivelada y seca. No lo pongas muy cerca del borde ni cerca de una fuente de calor (por ejemplo, una placa de cocina eléctrica, un quemador de gas o un horno).

- Evita que el cable de alimentación sobresalga del borde de una encimera o una mesa, entre en contacto con superficies calientes o se enrede.
- Coloca el aparato a un mínimo de 20 cm de muros o materiales sensibles al calor/vapor, con suficiente espacio arriba y alrededor para que circule el aire.
- Comprueba que el cable de alimentación no quede atrapado ente las placas del aparato durante el uso o almacenamiento.
- Supervisa el aparato en todo momento mientras esté en funcionamiento.
- Este aparato no está diseñado para utilizarse mediante un temporizador externo o un sistema de control remoto independiente.
- No coloques nada sobre el aparato cuando esté cerrado, ya sea durante el uso o almacenamiento.
- Antes de limpiar, mover o guardar el aparato, asegúrate siempre de que esté APAGADO y desenchufado de la toma de alimentación, y de que se haya enfriado tras el uso.
- No lo utilices si el cable de alimentación, el enchufe o el aparato propiamente dicho están dañados. Ante cualquier daño o si se requiere algún tipo de mantenimiento (que no sea la limpieza), ponte en contacto con el servicio de atención al cliente de Sage® o visita sageappliances.com.
- Cualquier tarea de mantenimiento que no sea de limpieza debe realizarla un centro de servicio autorizado de Sage®.
- No permitas que los niños jueguen con el aparato.
- El aparato puede ser utilizado por niños mayores de 8 años y personas con discapacidades físicas o mentales, o sin experiencia ni conocimientos de uso, siempre y cuando reciban supervisión o instrucciones para el uso seguro del dispositivo y comprendan los riesgos implicados.
- La limpieza del aparato no debe ser realizada por niños menores de 8 años, ni por niños mayores sin la supervisión de un adulto.



Este símbolo indica que la superficie está CALIENTE. La tapa y las demás superficies estarán calientes mientras el aparato esté en funcionamiento y durante un tiempo después del uso. Para evitar quemaduras, utiliza manoplas aislantes o usa las asas y diales según sea apropiado.

- El aparato y el cable deben mantenerse fuera del alcance de los niños menores de 8 años.
- Se recomienda la instalación de un interruptor diferencial para ofrecer seguridad adicional al usar todos los aparatos eléctricos. Se recomienda usar interruptores de seguridad con una corriente de funcionamiento nominal de no más de 30 mA. Solicita asesoramiento profesional a un electricista.

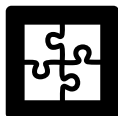


Este símbolo indica que el aparato no debe desecharse con la basura doméstica normal. Debe llevarse a un centro de recogida de residuos designado por las autoridades locales para ese fin, o a una empresa que preste ese servicio. Para obtener más información, ponte en contacto con los servicios municipales.

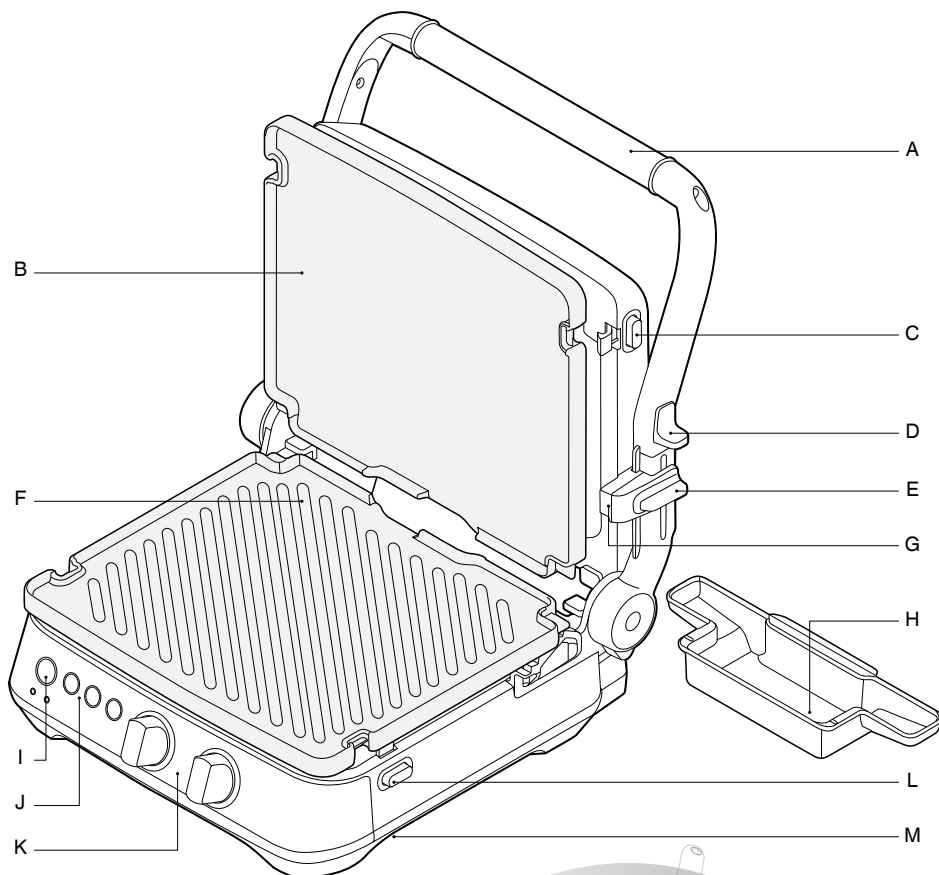


Para evitar descargas eléctricas, no sumerjas el enchufe, el cable ni el aparato en agua ni otros líquidos.

**SOLO PARA USO DOMÉSTICO
GUARDA ESTAS INSTRUCCIONES**

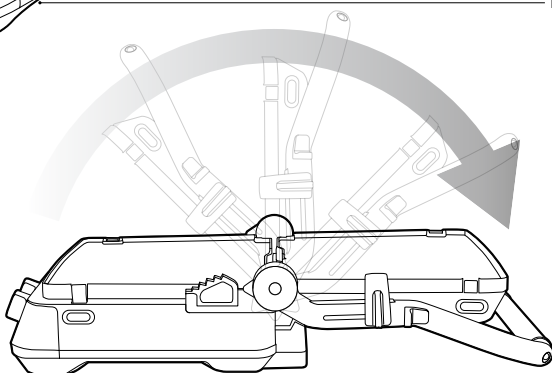


Componentes



Modo abierto tipo parrilla

Se abre a 180° para darte una superficie de 1500 cm².



Información de potencia

220-240 V ~50-60 Hz 1500-1800 W

A. Asa de acero inoxidable

Con brazos moldeados a presión.

B. Placas reversibles de cerámica antiadherente

Placas reversibles con recubrimiento Fusion HR para que puedas cocinar sin aceite y limpiar fácilmente. Sin PFOA ni PTFE.

C. Desbloqueo de la placa superior

Para extraer la placa superior de forma independiente.

Ambas placas son extraíbles para que puedas intercambiarlas y limpiarlas fácilmente.

D. Desbloqueo para el modo abierto

E. 6 alturas regulables

Permite reducir el peso de la placa superior sobre alimentos delicados o colocarla más alto para fundir.

F. Placas extraíbles aptas para lavavajillas

Usa el lado plano para huevos y tortitas o el acanalado para sellar carnes.

G. Clip para bloquear y guardar

Bloquea las placas cerradas para poder guardar el aparato en vertical.

H. Bandeja de goteo integrada extraíble

Recoge el excedente de grasa para cocinar más sano. En el modo abierto tipo parrilla, el exclusivo diseño escurre la grasa de ambas placas en la misma bandeja de goteo.

I. Botón de encendido/apagado

J. Programas para BOCADILLOS, HAMBURGUESAS Y FILETES

K. Control independiente de la temperatura de las placas

L. Desbloqueo de la placa inferior

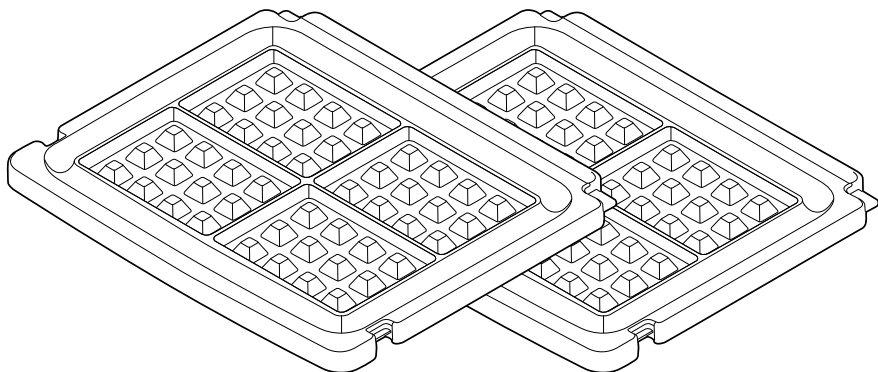
Para extraer la placa inferior de forma independiente. Ambas placas son extraíbles para que puedas intercambiarlas y limpiarlas fácilmente.

M. Compartimiento para el cable

Se encuentra en la base.

Placas para gófres (accesorio vendido por separado)

Placas para gófres con superficie antiadherente de primera calidad - SGR001





Ensamblaje

ANTES DEL PRIMER USO

1. Retira y desecha de forma segura los materiales de embalaje y etiquetas promocionales de la parrilla.
2. Limpia las placas de cocción y la bandeja de goteo con una esponja suave y húmeda. Seca bien todo.
3. Comprueba que la bandeja de goteo esté colocada correctamente.
4. Comprueba que las placas de cocción estén bien colocadas y bloqueadas en la posición correcta.
5. Coloca el aparato en una superficie plana y seca.
Comprueba que haya al menos 20 cm libres a ambos lados del aparato.
6. Desenrolla completamente el cable y conecta el enchufe en una toma de alimentación con conexión a tierra.
7. Se escuchará la alerta de la parrilla y se iluminará la luz de ENCENDIDO.
8. Pulsa el botón de ENCENDIDO. La parrilla emitirá un sonido y se iluminará la luz de ENCENDIDO. La parrilla está lista para el ciclo de precalentamiento.
9. Siempre espera hasta que la parrilla alcance la temperatura seleccionada y termine de precalentarse antes de cocinar.
10. La parrilla emitirá dos pitidos cuando las placas hayan alcanzado la temperatura seleccionada.

CÓMO USAR LA PARRILLA

La parrilla cuenta con 2 PLACAS EXTRAÍBLES.

Tiene dos botones que te permiten desbloquear las placas superior e inferior y extraerlas de forma independiente para que puedas intercambiarlas y limpiarlas con facilidad.

Para EXTRAER LAS PLACAS:

- Siempre asegúrate de que la parrilla se haya enfriado completamente.
- Usa el asa para abrirla a 90°.
- Usa el botón de desbloqueo en el lateral derecho de la placa superior para desbloquear la placa superior, y el botón de desbloqueo en el lateral derecho de la base para desbloquear la placa de cocción inferior.
- Una vez desbloqueadas, deslízalas con cuidado para extraerlas.
- Cuando usas la parrilla como grill de contacto o prensa para bocadillos, desbloquea el clip y levanta el asa al mismo tiempo.



NOTA

Cuando la parrilla se enciende y se calienta por primera vez, puede emitir un ligero humo. Esto se debe a las sustancias protectoras de las resistencias. No supone riesgo alguno ni es perjudicial para el funcionamiento de la parrilla.



ADVERTENCIA

No utilices revestimientos antiadherentes en aerosol, ya que afectarán el rendimiento de las placas de cocción antiadherentes.

Nunca utilices utensilios afilados o metálicos ya que podrían dañar la superficie antiadherente de las placas de cocción.



Funciones

USAR COMO GRILL DE CONTACTO O PRENSA DE BOCADILLOS

1. Comprueba que la bandeja de goteo esté colocada correctamente.
2. Comprueba que las placas de cocción estén bien colocadas y bloqueadas en la posición correcta.
3. Coloca el aparato en una superficie plana y seca. Comprueba que haya al menos 20 cm libres a ambos lados del aparato.
4. Desenrolla completamente el cable y conecta el enchufe en una toma de alimentación con conexión a tierra.
5. Pulsa el botón de ENCENDIDO. Se escuchará la alerta de la parrilla y se iluminará la luz de ENCENDIDO.
6. Para precalentar la parrilla:
 - a) Comprueba que la parte superior no esté elevada. De este modo, se calentará más rápida y eficientemente.
 - b) Sube la temperatura de ambas placas a 230 °C. O bien, pulsa el botón del programa para bocadillos o hamburguesas para un precalentamiento rápido. La parrilla comenzará a calentarse y se encenderá el indicador de precalentamiento (luz roja).
 - c) Espera hasta que termine de precalentarse.
7. Una vez alcanzada la temperatura seleccionada, la parrilla emitirá un sonido y se apagará el indicador de precalentamiento. Se encenderá la luz "READY" (LISTO).
8. Coloca la comida en la placa inferior.

9. Usa el asa para cerrar la placa superior. La placa de cocción superior tiene dos funciones diseñadas para lograr resultados óptimos:

a) Placa superior flotante. La placa de cocción superior tiene bisagras que permiten colocarla horizontalmente sobre los alimentos. Esto garantiza que la comida se cocinará de manera uniforme en toda su superficie. Además, la placa superior puede "flotar" sobre los alimentos sin tocarlos, para irradiar calor y fundir ingredientes, como queso.

b) Control de altura regulable.

Puedes reducir el peso de la placa superior sobre alimentos delicados, como pescado, y regularla a distintas alturas para adaptarla a distintos tipos de comida. El clip de bloqueo se encuentra en el lateral derecho de la placa superior y te permite fijarla sobre la placa inferior en distintas posiciones. Para regular la altura, eleva la placa superior usando el asa y desliza el clip de bloqueo al mismo tiempo hasta la altura deseada. Luego, baja con cuidado la placa superior hasta que se apoye sobre el clip de altura regulable.

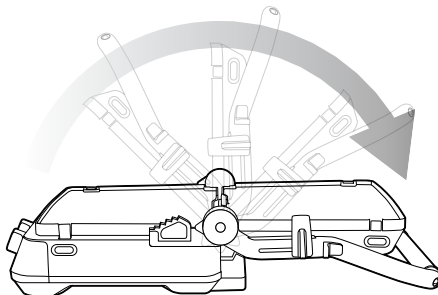
10. Cuando la comida esté lista, usa utensilios de plástico resistentes al calor o de madera para sacarla de las placas.

USAR EN MODO ABIERTO TIPO PARRILLA

La parrilla se abre a 180° para darte una superficie de cocción de 1500 cm². La placa de cocción acanalada es perfecta para sellar carnes, mientras que la placa plana es ideal para hacer huevos, tortitas y verduras.

1. Comprueba que la bandeja de goteo esté colocada correctamente.
2. Comprueba que las placas de cocción estén bien colocadas y bloqueadas en la posición correcta.
3. Coloca el aparato en una superficie plana y seca. Comprueba que haya al menos 20 cm libres a ambos lados del aparato.
4. Desenrolla completamente el cable y conecta el enchufe en una toma de alimentación con conexión a tierra.
5. Pulsa el botón de ENCENDIDO. La parrilla emitirá un sonido y se iluminará la luz de ENCENDIDO.
6. Para precalentar la parrilla:
 - a) Comprueba que la parte superior no esté elevada. De este modo, se calentará más rápida y eficientemente.
 - b) Sube la temperatura de ambas placas a 230 °C. O bien, pulsa el botón del programa de filetes para un precalentamiento rápido.
 - c) La parrilla comenzará a calentarse y se encenderá el indicador de precalentamiento (luz roja).
 - d) Espera hasta que termine de precalentarse.
7. Una vez alcanzada la temperatura seleccionada, la parrilla emitirá un sonido y se apagará el indicador de precalentamiento. Se encenderá la luz verde "READY" (LISTO).

8. Para abrir la parrilla a 180°:
 - a) Comprueba que la parrilla haya terminado de precalentarse y que la luz roja ya no esté encendida.
 - b) Comprueba que la placa de cocción superior esté cerrada. El clip de altura regulable ubicado en el lateral derecho de la placa superior debería estar desbloqueado.
 - c) Con la mano izquierda, toma el asa. Con la mano derecha, desliza el clip de altura regulable hacia ti, hasta colocarlo en la posición del modo abierto tipo parrilla. Sigue deslizando el clip hacia adelante y, al mismo tiempo, levanta el asa para abrir y luego bajar la placa superior hasta que quede completamente horizontal.



9. Coloca la comida en una o ambas placas.
10. Cuando la comida esté lista, usa utensilios de plástico resistentes al calor o de madera para sacarla de las placas.



Cuidado y limpieza

Pulsa el botón de encendido para asegurarte de que el aparato esté APAGADO. Desenchufa el cable de la toma de alimentación. Deja que la parrilla se enfríe completamente antes de desensamblarla y limpiarla.

Siempre limpia el exterior, la bandeja de goteo y las placas de cocción después de cada uso para evitar la acumulación de alimentos.



NOTA

No uses productos de limpieza abrasivos ni estropajos metálicos en ninguna superficie, interior o exterior, ya que se rayarían los materiales y se dañaría el revestimiento antiadherente de las placas.



ADVERTENCIA

No sumerjas el aparato, el cable de alimentación ni el enchufe en agua ni en ningún otro líquido, ya que esto podría provocar una electrocución.

LIMPIEZA DEL EXTERIOR

Limpia el exterior con una esponja suave y húmeda. Se pueden usar soluciones suaves en aerosol o limpiadores líquidos no abrasivos para evitar la acumulación de manchas. Aplica el producto limpiador en la esponja y no directamente en el aparato. Aclara. Deja que todas las superficies se sequen completamente antes volver a enchufarlo.

LIMPIEZA DE LA BANDEJA DE GOTEO

Después de cada uso, extrae la bandeja de goteo y desecha el contenido. Lávala en agua tibia con jabón usando una esponja suave y húmeda. Se pueden usar limpiadores líquidos no abrasivos para evitar la acumulación de manchas. Aplica el producto limpiador en la esponja y no directamente en la bandeja. Enjuaga y seca bien todo. Después de limpiar, asegúrate de volver a colocar la bandeja de goteo antes enchufar el aparato.



NOTA

La bandeja de goteo también se puede lavar en un lavavajillas.



ADVERTENCIA

Se debe tener mucho cuidado al manipular la bandeja de goteo, ya que contiene grasas y jugos calientes.

LIMPIEZA DE LAS PLACAS DE COCCIÓN

1. Limpia las placas de cocción con un paño suave para quitar los residuos de comida.
2. También puedes desbloquearlas y extraerlas:
 - a) Siempre asegúrate de que la parrilla se haya enfriado completamente.
 - b) Usa el asa para abrirla a 90°.
 - c) Usa el botón de desbloqueo en el lateral derecho de la placa superior para desbloquear la placa superior, y el botón de desbloqueo en el lateral derecho de la base para desbloquear la placa de cocción inferior.
 - d) Una vez desbloqueadas, deslízalas con cuidado para extraerlas.
3. Coloca las placas de cocción en la parte superior del lavavajillas (nunca en la parte inferior).

4. También puedes lavarlas en agua tibia con jabón usando una esponja suave y húmeda. Se pueden usar limpiadores líquidos no abrasivos para evitar la acumulación de manchas. Aplica el producto limpiador en la esponja y no directamente en las placas. Elimina los residuos más difíciles de limpiar con un estropajo plástico o un cepillo de nailon para lavar platos no abrasivos.
5. Enjuaga y seca bien todo. Después de limpiar, asegúrate de que las placas estén bien colocadas y bloqueadas en la posición correcta antes de volver a enchufar el aparato.



NOTA

No uses productos de limpieza abrasivos ni estropajos metálicos sobre la superficie de cocción de las placas. Esto dañaría el revestimiento antiadherente.

ALMACENAMIENTO

- Gira el dial de temperatura hasta la posición OFF (APAGADO) para asegurarte de que el aparato esté apagado. Desenchufa el cable de la toma de alimentación.
- Deja que el aparato, las placas de cocción y la bandeja de goteo se enfríen por completo.
- Comprueba que el aparato, las placas de cocción y la bandeja de goteo estén limpios y secos.
- Comprueba que la bandeja de goteo esté colocada correctamente.
- Comprueba que las placas de cocción estén bien colocadas y bloqueadas en la posición correcta.
- Asegúrate de que las placas de cocción estén cerradas y el clip de altura regulable esté en la posición de bloqueo para fijarlas en esa posición.
- Guarda el cable de alimentación enrollándolo en el compartimento que se encuentra en la base.
- Guarda el aparato en un lugar plano, seco y nivelado. También puede guardarse en posición vertical.



Garantía

GARANTÍA LIMITADA DE 2 AÑOS

La garantía de Sage Appliances cubre este producto para uso doméstico en territorios específicos durante 2 años a partir de la fecha de compra contra fallos causados por mano de obra y materiales defectuosos. Durante el plazo de la garantía, Sage Appliances reparará o sustituirá productos defectuosos (a criterio de Sage Appliances).

Todos los derechos de garantía en virtud de la legislación nacional vigente serán respetados y no se verán afectados por nuestra garantía. Para consultar los términos y condiciones completos de la garantía, así como instrucciones sobre cómo hacer una reclamación, visite www.sageappliances.com



Notas

the BBQ & Press™ Grill

BGR700/SGR700



PT MANUAL RÁPIDO

Sage®



Índice

- 2 A Sage® recomenda a segurança como máxima prioridade
- 5 Componentes
- 7 Montagem
- 8 Funções
- 10 Cuidados e limpeza
- 12 Garantia

A SAGE® RECOMENDA A SEGURANÇA COMO MÁXIMA PRIORIDADE

Na Sage®, temos a máxima preocupação com a segurança. Concebemos e produzimos produtos para o consumidor principalmente com a sua segurança, o nosso prezado cliente, em mente. Além disso, pedimos que tenha cuidado quando utilizar qualquer aparelho elétrico e que cumpra as precauções seguintes.

CUIDADOS IMPORTANTES LEIA TODAS AS INSTRUÇÕES ANTES DE UTILIZAR E GUARDE-AS PARA CONSULTA FUTURA

- Está disponível uma versão transferível deste documento em sageappliances.com
- Antes de utilizar pela primeira vez, certifique-se de que a sua fonte de alimentação corresponde à indicada na etiqueta na parte inferior do aparelho.
- Remova e elimine todos os materiais da embalagem antes da primeira utilização.
- Este aparelho destina-se apenas a uso doméstico. Não utilize o aparelho para outra função diferente da utilização a que se destina. Não utilize em veículos em movimento ou barcos. Não utilize no exterior. A utilização incorreta pode causar ferimentos.
- Desenrole completamente o cabo de alimentação antes de utilizar.
- Coloque o aparelho numa superfície plana, estável, resistente ao calor e seca, afastado da extremidade e não utilize próximo de uma fonte de calor, como uma placa térmica, forno ou bico de gás.

- Não deixe o cabo de alimentação pendurado sobre a extremidade de uma mesa ou bancada, em contacto com superfícies quentes nem permita que o cabo se enrosque.
- Posicione o aparelho a pelo menos 20 cm das paredes ou materiais sensíveis ao calor/vapor e certifique-se de que há espaço livre adequado por cima e em todos os lados para circulação de ar.
- Certifique-se de que o cabo de alimentação não fica preso entre as placas superior e inferior do aparelho durante a utilização ou armazenamento.
- Não deixe o aparelho sem supervisão durante a utilização.
- O aparelho não se destina a ser operado através de um temporizador externo ou sistema de controlo remoto separado.
- Não coloque nada sobre o grelhador quando a tampa estiver fechada durante a utilização ou armazenamento.
- Certifique-se sempre de que o aparelho está desligado (OFF), e que a ficha foi retirada da tomada elétrica e arrefeceu totalmente antes de o limpar, mover ou armazenar.
- Não use o aparelho se o cabo de alimentação, ficha ou o próprio aparelho estiverem danificados de qualquer maneira. Contacte o serviço de atendimento ao cliente da Sage® ou aceda a sageappliances.com se o aparelho estiver danificado ou for necessária qualquer tarefa de manutenção que não a de limpeza.
- Qualquer tarefa de manutenção que não a de limpeza deve ser realizada por um centro de assistência autorizado pela Sage®.
- As crianças não devem brincar com o aparelho.
- O aparelho pode ser utilizado por crianças com mais de 8 anos de idade e pessoas com capacidades físicas ou mentais reduzidas ou com falta de experiência e conhecimento, mas apenas se tiverem recebido supervisão ou instruções relativas ao uso seguro do aparelho e compreenderem os perigos envolvidos.



O aparelho tem um símbolo de alerta de superfície quente.

A tampa e outras superfícies estarão quentes quando o aparelho está em funcionamento e durante algum tempo após a utilização. Para evitar queimaduras, utilize sempre luvas de forno ou utilize pegas quando apropriado.

- As tarefas de limpeza do aparelho não devem ser executadas por crianças exceto caso tenham mais de 8 anos de idade e tenham supervisão.
- O aparelho e o cabo devem ser mantidos fora do alcance das crianças com idade inferior a 8 anos.
- Recomendamos a instalação de um comutador de segurança da corrente residual para fornecer segurança adicional ao utilizar todos os aparelhos elétricos. Recomendamos o uso de comutadores de segurança com uma corrente operacional nominal não superior a 30 mA. Consulte um electricista para obter aconselhamento profissional.



O símbolo apresentado indica que este aparelho não deve ser eliminado juntamente com os resíduos domésticos normais. Deve ser encaminhado para um centro de recolha de resíduos da autoridade local designado para este fim ou um revendedor que forneça este serviço. Contacte a Câmara Municipal local para obter mais informações.

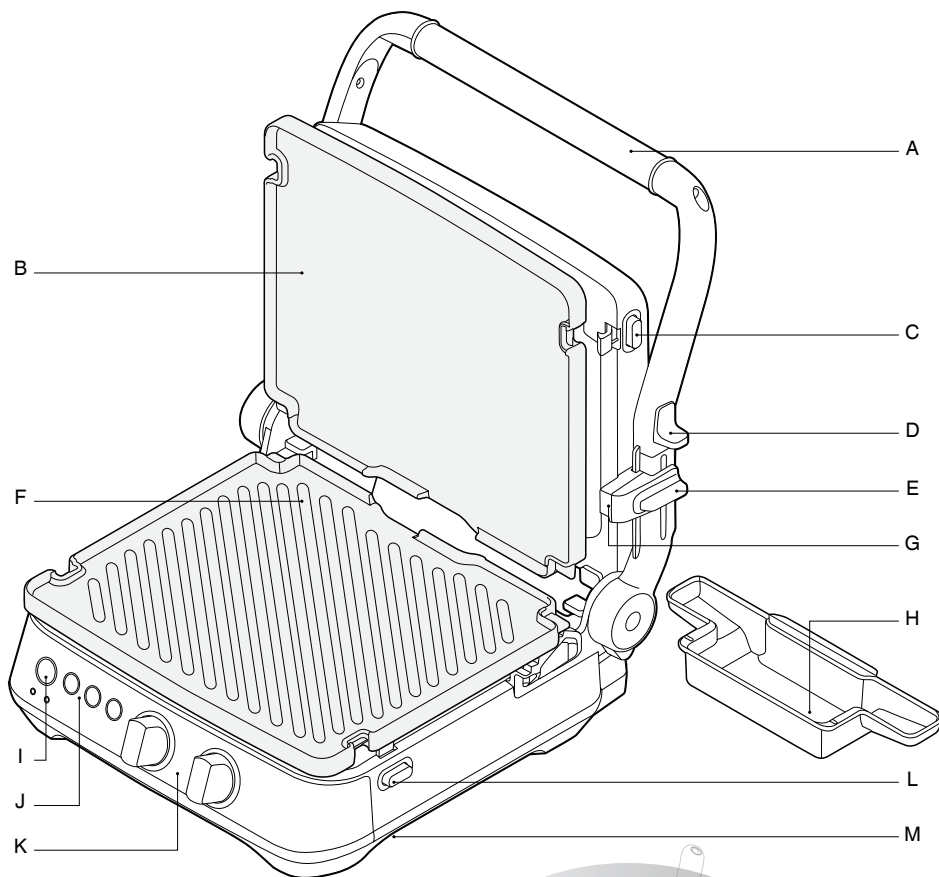


Não submerja a ficha elétrica, o cabo ou o aparelho em água ou qualquer outro líquido para proteger contra choques elétricos.

**APENAS PARA USO DOMÉSTICO
GUARDE ESTAS INSTRUÇÕES**

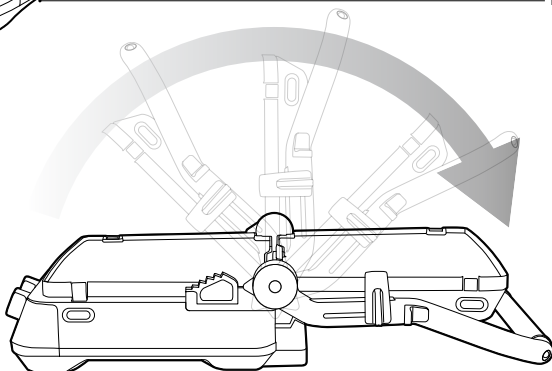


Componentes



Abertura na horizontal para modo de churrasco

Abre na horizontal para uma superfície de grelhador de 1500 cm².



Informação de classificação
220–240 V ~50–60 Hz 1500–1800 W

A. Pega em aço inoxidável

Com braços fundidos.

B. Placas cerâmicas antiaderentes reversíveis

Placas reversíveis revestidas a cerâmica Fusion HR para cozinhar sem óleo e para limpeza fácil. Sem PFOA e PTFE.

C. Libertação da placa superior

Retira a placa superior.

Remova individualmente as placas superior e inferior para uma limpeza mais fácil ou para intercambiar a posição das placas.

D. Libertação do bloqueio BBQ

E. 6 definições de altura ajustáveis

Reduz o peso da placa superior em alimentos delicados ou pode definir uma altura superior para sanduíches abertas gratinadas.

F. Placas removíveis adequadas para máquina de lavar louça

Face plana para ovos e panquecas, face ondulada para selar carne.

G. Patilha de bloqueio para armazenamento

Bloqueia as placas fechadas para armazenamento na vertical.

H. Bandeja de gotejamento integrada removível

Recolhe o excesso de gordura para uma alimentação mais saudável.

No modo BBQ, o design exclusivo escorre a gordura de ambas as placas para a mesma bandeja de gotejamento.

I. Botão POWER ON/OFF (Ligar/desligar)

J. Definições de PANINI, BURGER E STEAK (Panini, Hambúrguer e Bife)

K. Controlo de temperatura independente das placas

L. Libertação da placa inferior

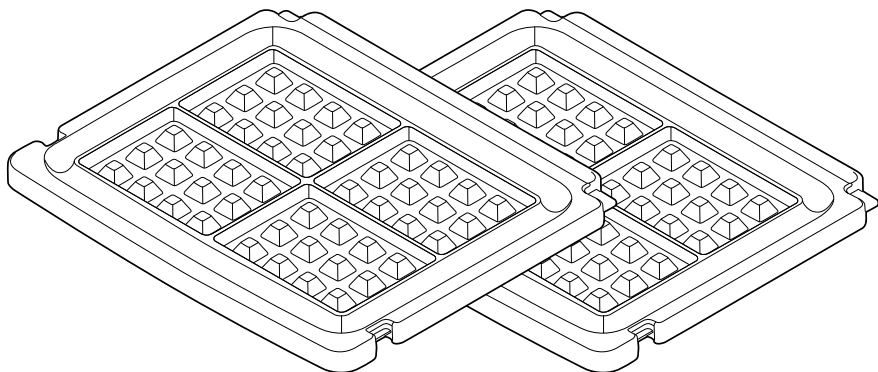
Retira a placa inferior. Remova individualmente as placas superior e inferior para uma limpeza mais fácil ou para intercambiar a posição das placas.

M. Armazenamento do cabo

Localizado sob o grelhador.

Acessório de placas para waffles (vendido separadamente)

Placas para waffles com revestimento antiaderente de alta qualidade – SGR001





Montagem

ANTES DA PRIMEIRA UTILIZAÇÃO

1. Remova e elimine em segurança todos os materiais da embalagem e etiquetas promocionais do grelhador.
2. Limpe as placas do grelhador e a bandeja de gotejamento com uma esponja macia humedecida. Seque devidamente.
3. Certifique-se de que a bandeja de gotejamento está corretamente instalada no grelhador.
4. Certifique-se de que as placas estão corretamente instaladas e bloqueadas na posição correta.
5. Coloque o grelhador numa superfície plana e seca.
Certifique-se de que existe uma distância mínima de 20 cm de espaço em ambos os lados do aparelho.
6. Desenrole completamente o cabo de alimentação e insira o cabo de alimentação numa tomada com ligação à terra.
7. O grelhador emite um sinal sonoro e a luz POWER (Alimentação) acende-se.
8. Prima o botão POWER (Alimentação). O grelhador emite um sinal sonoro e a luz POWER (Alimentação) acende-se. O grelhador está pronto para o ciclo de pré-aquecimento.
9. Deixe sempre que o grelhador termine o ciclo de pré-aquecimento até à temperatura selecionada antes de cozinhar.
10. O grelhador emite um sinal sonoro quando as placas atingirem a temperatura selecionada.

COMO UTILIZAR O GRELHADOR

O grelhador inclui 2 x LIBERTAÇÃO DA PLACA.

Permite remover individualmente as placas superior e inferior para uma limpeza mais fácil ou para intercambiar a posição das placas.

Para utilizar a LIBERTAÇÃO DA PLACA:

- Certifique-se sempre de que o grelhador arrefeceu completamente.
- Utilize a pega para abrir a placa superior até uma posição de 90 graus.
- Utilize a "Libertação da placa" na parte frontal, no lado direito da placa superior para remover a placa superior e a "Libertação da placa" no lado direito do painel de controlo para remover a placa inferior.
- Após libertar, deslize suavemente as placas do grelhador.
- Quando utilizar o grelhador como um grelhador de contacto ou prensa de sanduiches, liberte a patilha e levante a pega simultaneamente.



NOTA

Quando o grelhador é ligado e aquece pela primeira vez, pode emitir um fumo ligeiro. Isto é devido às substâncias de proteção dos elementos de aquecimento. É seguro e não prejudica o desempenho do grelhador.



AVISO

Não utilize pulverizadores de revestimentos antiaderentes porque podem afetar o desempenho das placas antiaderentes.

Nunca utilize utensílios metálicos ou afiados porque podem danificar o revestimento antiaderente das placas.



Funções

UTILIZAR COMO GRELHADOR DE CONTACTO OU PRESA DE PANINIS

1. Certifique-se de que a bandeja de gotejamento está corretamente instalada no grelhador.
2. Certifique-se de que as placas estão corretamente instaladas e bloqueadas na posição correta.
3. Coloque o grelhador numa superfície plana e seca. Certifique-se de que existe uma distância mínima de 20 cm de espaço em ambos os lados do aparelho.
4. Desenrole completamente o cabo de alimentação e insira o cabo de alimentação numa tomada com ligação à terra.
5. Prima o botão POWER (Alimentação). O grelhador emite um sinal sonoro e a luz POWER (Alimentação) acende-se.
6. Para pré-aquecer o grelhador:
 - a) Certifique-se de que a placa superior do grelhador está fechada. Deste modo, o pré-aquecimento será mais rápido e eficiente.
 - b) Rode o botão de temperatura para 230 °C para ambas as placas. Em alternativa, prima os botões predefinidos PANINI ou BURGER (Hambúrguer) para um pré-aquecimento rápido. O grelhador inicia o aquecimento e a luz "PREHEATING" (Pré-aquecimento) acende-se.
 - c) Aguarde que o grelhador termine o pré-aquecimento.
7. Após o pré-aquecimento atingir a temperatura selecionada, o grelhador emite um sinal sonoro e a luz do botão "PREHEATING" (Pré-aquecimento) apaga-se. A luz "READY" (Pronto) acende-se.
8. Coloque os alimentos na placa inferior.
9. Utilize a pega para fechar a placa superior. A placa superior inclui duas funcionalidades para produzir os melhores resultados:
 - a) **Placa superior flutuante.**

A placa superior possui uma dobradiça que permite posicionar a placa superior horizontalmente sobre a superfície dos alimentos. Isto garante que a parte frontal dos alimentos é cozinhada uniformemente, tal como a parte posterior. Também permite que a placa superior flutue sobre a superfície dos alimentos, emitindo calor para criar sanduíches abertas e derretidas.
 - b) **Controlo de altura ajustável.**

Esta funcionalidade reduz o peso da placa superior sobre alimentos delicados, como o peixe, e admite várias espessuras de alimentos, como pães tradicionais. Localizada no lado direito da placa superior, a patilha fixa a placa superior em várias posições acima da placa inferior. Para definir o controlo de altura ajustável, utilize a pega para levantar a placa superior e mover simultaneamente a patilha de controlo de altura ajustável para a altura pretendida. Em seguida, baixe a placa superior até repousar sobre a patilha de controlo de altura ajustável.
10. Quando os alimentos estiverem prontos, retire-os das placas utilizando utensílios de madeira ou de plástico à prova de calor.

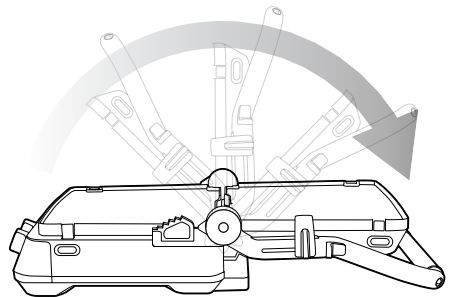
UTILIZAR NO MODO DE ABERTURA HORIZONTAL PARA CHURRASCO

O grelhador abre horizontalmente numa superfície de grelhador de 1500 cm².

A placa ondulada é perfeita para selar carnes e a placa plana é ideal para ovos, panquecas e vegetais.

1. Certifique-se de que a bandeja de gotejamento está corretamente instalada no grelhador.
2. Certifique-se de que as placas estão corretamente instaladas e bloqueadas na posição correta.
3. Coloque o grelhador numa superfície plana e seca. Certifique-se de que existe uma distância mínima de 20 cm de espaço em ambos os lados do aparelho.
4. Desenrole completamente o cabo de alimentação e insira o cabo de alimentação numa tomada com ligação à terra.
5. Prima o botão POWER (Alimentação). O grelhador emite um sinal sonoro e a luz POWER (Alimentação) acende-se.
6. Para pré-aquecer o grelhador:
 - a) Certifique-se de que a placa superior do grelhador está fechada. Deste modo, o pré-aquecimento será mais rápido e eficiente.
 - b) Rode o botão de temperatura para 230 °C para ambas as placas. Em alternativa, prima o botão predefinido STEAK (Bife) para um pré-aquecimento rápido.
 - c) O grelhador inicia o aquecimento e a luz "PREHEATING" (Pré-aquecimento) acende-se.
 - d) Aguarde que o grelhador termine o pré-aquecimento.
7. Após o pré-aquecimento atingir a temperatura selecionada, o grelhador emite um sinal sonoro e a luz do botão "PREHEATING" (Pré-aquecimento) apaga-se. A luz verde "READY" (Pronto) acende-se.

8. Para abrir o grelhador no modo de churrasco:
 - a) Certifique-se de que o grelhador terminou o pré-aquecimento e a luz vermelha "PREHEATING" (Pré-aquecimento) está apagada.
 - b) Certifique-se de que a placa superior está fechada. A patilha de controlo de altura ajustável, localizada no lado direito da placa superior, deve estar na posição ABERTA.
 - c) Com a mão esquerda, segure a pega. Com a mão direita, puxe a patilha de controlo de altura ajustável na sua direção, para a posição do modo de churrasco. Continue a puxar a patilha para a frente e levante simultaneamente a pega para abrir, em seguida, baixe suavemente a placa superior para a posição horizontal do modo de churrasco.



9. Coloque os alimentos em qualquer uma das placas ou em ambas as placas.
10. Quando os alimentos estiverem prontos, retire-os das placas utilizando utensílios de madeira ou de plástico à prova de calor.



Cuidados e limpeza

Certifique-se de que o grelhador está desligado premindo o botão OFF (Desligar). Retire a ficha do cabo de alimentação da tomada elétrica. Aguarde até que o grelhador arrefeça completamente antes de desmontar e limpar.

Limpe sempre o exterior do aparelho, a bandeja de gotejamento e as placas do grelhador após cada utilização para evitar a acumulação de ingredientes.



NOTA

Não utilize produtos de limpeza abrasivos ou esfregões metálicos para limpar as superfícies externas ou internas do grelhador. Estes produtos riscam as superfícies e danificam o revestimento antiaderente das placas do grelhador.



AVISO

Não coloque o corpo do aparelho, cabo de alimentação ou ficha dentro de água ou qualquer outro líquido visto que pode provocar eletrocussão.

LIMPAR O EXTERIOR DO APARELHO

Limpe o corpo exterior com uma esponja macia humedecida. Pode utilizar um produto de limpeza líquido não abrasivo ou solução de pulverização suave para evitar a acumulação de manchas. Antes de limpar, aplique o produto de limpeza líquido na esponja e não diretamente na superfície do grelhador. Enxague. Aguarde até que todas as superfícies estejam devidamente secas antes de introduzir a ficha do cabo de alimentação numa tomada elétrica.

LIMPAR A BANDEJA DE GOTEJAMENTO

Após cada utilização, deslize a bandeja de gotejamento e elimine o conteúdo. Lave a bandeja com água morna e detergente com uma esponja macia e húmida. Pode utilizar um produto de limpeza líquido não abrasivo para evitar a acumulação de manchas. Aplique o produto de limpeza líquido à esponja e não diretamente no tabuleiro. Enxague e deixe secar devidamente. Não se esqueça de introduzir sempre a bandeja de gotejamento após a limpeza e antes de inserir a ficha do cabo de alimentação na tomada elétrica.



NOTA

Também pode lavar a bandeja de gotejamento na máquina de lavar louça.



AVISO

Tenha o máximo cuidado ao mover a bandeja de gotejamento com gordura e molhos quentes.

LIMPAR AS PLACAS DO GRELHADOR

1. Limpe as placas do grelhador com um pano macio para remover os resíduos de alimentos.
2. Em alternativa, liberte e retire as placas do grelhador:
 - a) Certifique-se sempre de que o grelhador arrefeceu completamente.
 - b) Utilize a pega para abrir a placa superior até uma posição de 90 graus.
 - c) Utilize a "Libertação da placa" na parte frontal, no lado direito da placa superior para remover a placa superior e a "Libertação da placa" no lado direito do painel de controlo para remover a placa inferior.
 - d) Após libertar, deslize suavemente as placas do grelhador.
3. Coloque as placas do grelhador na máquina de lavar louça (apenas na prateleira superior).
4. Em alternativa, lave as placas do grelhador com água morna e detergente com uma esponja macia e húmida. Pode utilizar um produto de limpeza líquido não abrasivo para evitar a acumulação de manchas. Aplique o produto de limpeza líquido à esponja e não diretamente na placa. Remova resíduos persistentes com um esfregão plástico não abrasivo ou uma escova de nylon.
5. Enxague e deixe secar devidamente. Certifique-se sempre de que instalou corretamente as placas e que estão bloqueadas na posição correta após limpar e antes de inserir a ficha de alimentação na tomada elétrica.



NOTA

Não utilize produtos de limpeza abrasivos ou esfregões metálicos para limpar a superfície das placas. Estes produtos danificam o revestimento antiaderente das placas do grelhador.

ARMAZENAMENTO

- Certifique-se de que o grelhador está desligado, rodando o botão para a posição OFF (Desligar). Retire a ficha do cabo de alimentação da tomada elétrica.
- Aguarde até que o grelhador, as placas e a bandeja de gotejamento arrefeçam completamente.
- Certifique-se de que o grelhador, as placas e a bandeja de gotejamento estão limpos e secos.
- Certifique-se de que a bandeja de gotejamento está corretamente instalada no grelhador.
- Certifique-se de que as placas estão corretamente instaladas e bloqueadas na posição correta.
- Certifique-se de que as placas estão bloqueadas na posição correta deslizando a patilha de controlo de altura ajustável para posição LOCK (Bloquear).
- Enrole o cabo de alimentação no armazenamento do cabo situado sob o grelhador.
- Guarde numa superfície plana, seca e nivelada. Em alternativa, pode guardar o grelhador na posição vertical.



Garantia

GARANTIA LIMITADA DE 2 ANOS

A Sage Appliances fornece uma garantia para este produto para uso doméstico nos territórios especificados de 2 anos a partir da data de compra contra avarias provocadas por defeitos na mão-de-obra e de materiais. Durante este período da garantia, a Sage Appliances irá reparar, substituir ou reembolsar qualquer produto defeituoso (sob o critério exclusivo da Sage Appliances).

Todos os direitos legais da garantia ao abrigo da legislação nacional aplicável serão respeitados e não serão afetados pela nossa garantia. Visite www.sageappliances.com para consultar os termos e condições completos da garantia, bem como as instruções sobre como efetuar uma reclamação.



Notas



Notas



Notas

CHE

Switzerland

+41 (0)800 009 933

DEU

AUT

Sage Appliances GmbH
Campus Fichtenhain 48, 47807 Krefeld, Deutschland

Deutschland: +49 (0)8005053104

Österreich: +43 (0)800 80 2551

BEL

Belgium

+32 (0)800 54 155

LUX

Luxembourg

+352 (0)800 880 72

ESP

Spain

+34 (0)900 838 534

POR

Portugal

+351 (0)800 180 243

Sage®

www.sageappliances.com

Registered in Germany No. HRB 81309 (AG Düsseldorf).

Registered in England & Wales No. 8223512.

- Due to continued product improvement, the products illustrated or photographed in this document may vary slightly from the actual product.
- Aufgrund kontinuierlicher Produktverbesserungen kann das auf dieser Verpackung dargestellte Produkt leicht vom tatsächlichen Produkt abweichen.
 - En raison de son amélioration continue, le produit représenté sur cet emballage peut différer légèrement du produit réel.
 - Vanwege de voortdurende verbetering van de producten kunnen de producten die in dit document worden geïllustreerd of gefotografeerd enigszins afwijken van het daadwerkelijke product.
 - A causa del continuo miglioramento dei prodotti, il prodotto illustrato su questa confezione può variare leggermente rispetto al prodotto reale.
 - Perfeccionamos nuestros productos continuamente, por lo que el artículo podría diferir ligeramente de la ilustración o imagen en este documento.
 - Devido à melhoria continua dos produtos, os produtos ilustrados ou fotografados neste documento podem variar ligeiramente do produto real.

Copyright BRG Appliances 2019.

BGR700/SGR700 UG5 A19