

Installation Guide Of Bathroom Tap Wall-Mount

Quality Guarantee

Thank you for choosing our products.

We are confident that the product reliability will exceed your expectations . The functionality, aesthetics, durability are at its highest quality!

The comprehensive support will grant full satisfaction for years, reflecting the commitment to quality, innovation and the environment as part our.

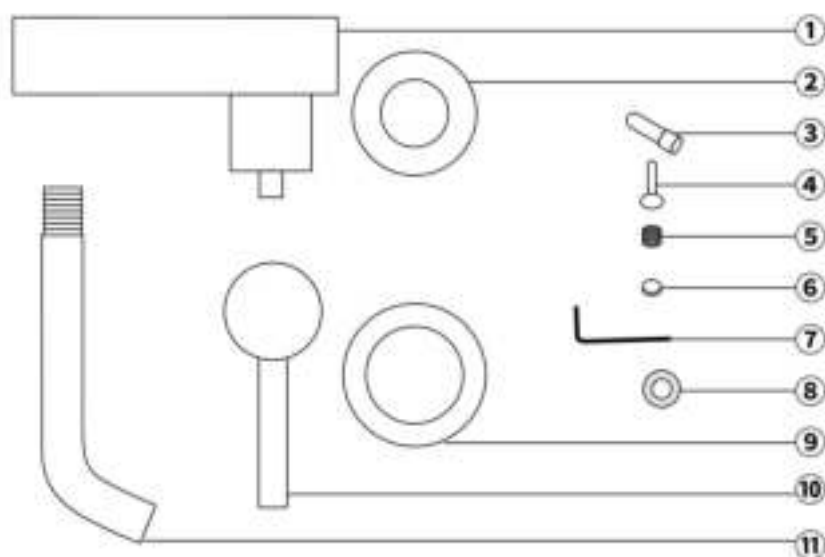
To reduce the risk of injury or property damage, please read all instructions before installing the product.

In construction, installation, alteration, extension and repair, the rules of construction must be applied. As result of continuous improvement, the illustration of product may change in appearance.

★ Installation Note

- 1.Clean pipes to get rid of mud, sand or other debris blocked in pipes
- 2.Please install the cold inlet and the hot inlet in accordance, Incorrect way of installation would cause scalding.
- 3.During the house decoration or daily use,pay attention to protect the faucet.It should be prevented corrosion by paint or other chemicals.

★ Product's Decomposition Diagram

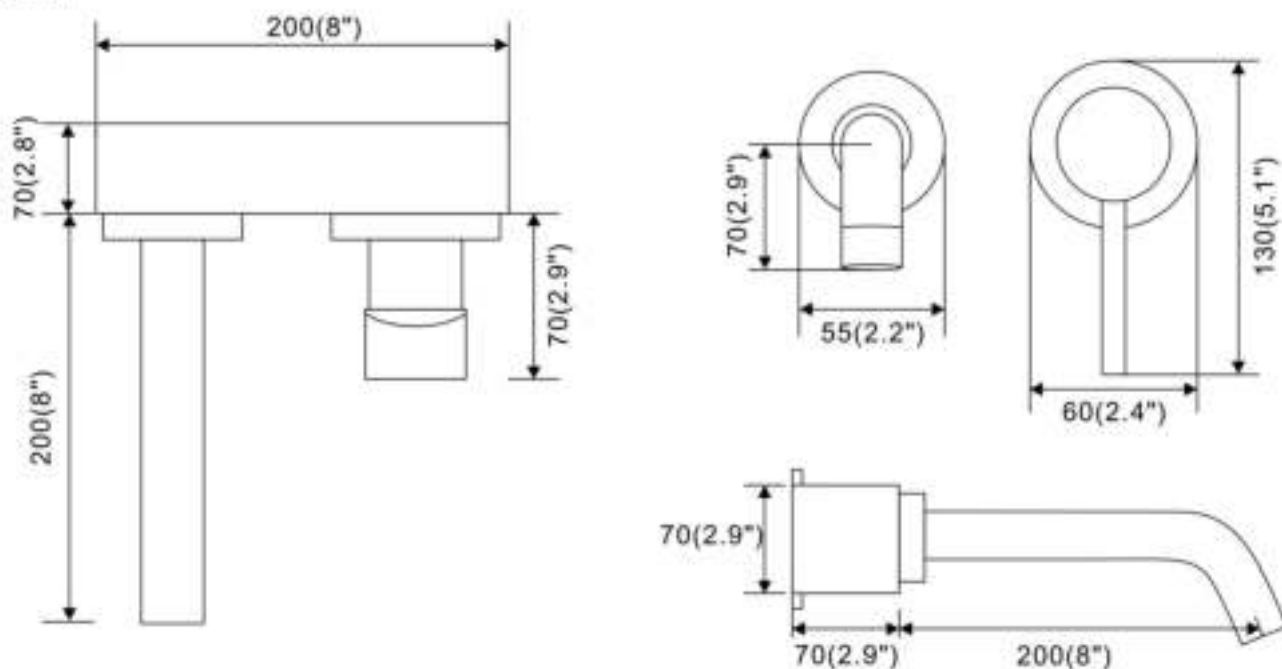


List Of Standard Fittings

S/N	Description	No.s
1	Mixer body	1
2	Decorative panel	1
3	Plastic anchor	4
4	Screw	4
5	Fixing screw	1
6	Directive	1
7	Allen key	1
8	metal washer	4
9	Decorative panel	1
10	Handle	1
11	Wide spout	1

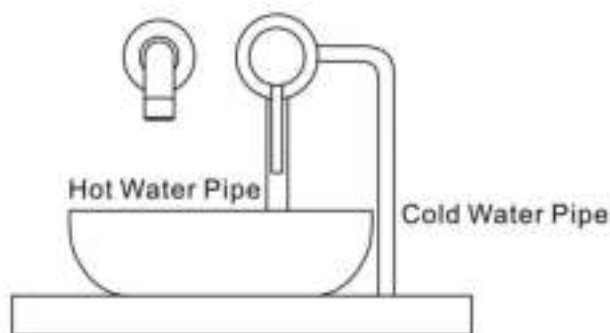
★ Product's Size Diagram

unit: mm



Installation Guide Of Bathroom Tap Wall-Mount

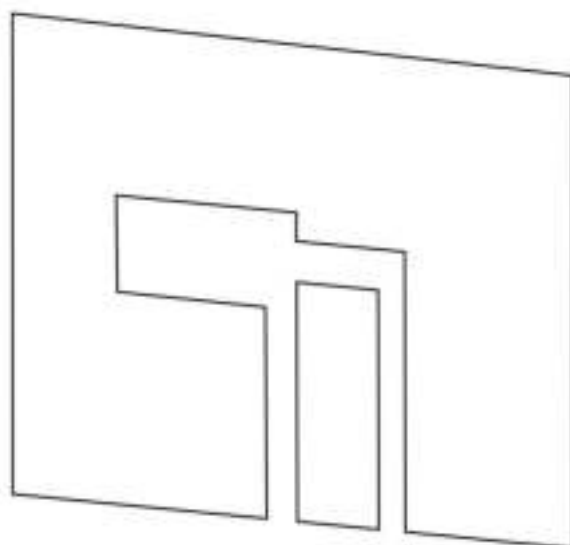
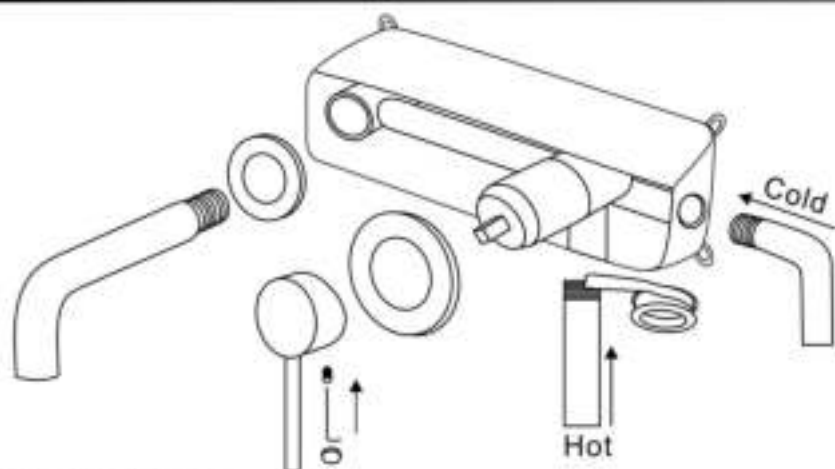
★ Guide Of Embedded Water Pipe And Description



Description

- Metal construction with matte black finish
- Brass body ceramic valve
- ½" NPT connection
- Wall mount basin faucet
- 100% pressure system tested

★ Installation Steps



Before You Begin.

Observe all local plumbing and building codes.

The embedded water pipes need to buy separately in advance.

IMPORTANT! Use care when installing the spout to avoid scratching the finish.

1. Before installation, remove impurities from the water pipe. Wrap the pipe tape to the prepared male water pipe and then connecting to the embedded faucet body. Pay attention to the connection of the cold water inlet and hot inlet signs.
2. Measure the installation position of the basin faucet on the wall. Confirming it and mark it with a pen. According to the needs of the individual and the size of the embedded faucet body, the wall is properly grind and drill.
3. Measure the installation position of the embedded faucet body on the wall. Confirming it and mark it with a pen.
4. Drill holes and insert plastic expansion screws. Before fixing the faucet body to the marked position with metal screws, put the metal gasket on the fixing hole of the body. Finally tighten them with screws.
5. Open the water source, check the connection of the water pipes, and the pressure of the pipe to ensure no leakage. Make sure there are no water leaks. Remove the plastic protective cover on main body and then tiling the wall.
6. Assemble the decorative panel, handle and the spout.

★ Cleaning Recommendations

1. Use only water and clean cloth.
2. Do not use fibers, powders, abrasives, or chemicals.
3. Do not use sharp objects to clean the finish.

