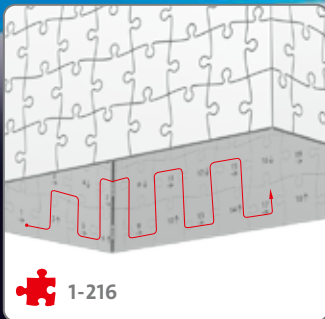
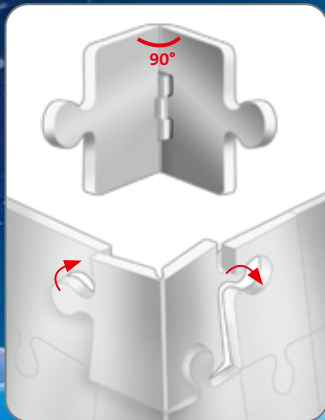
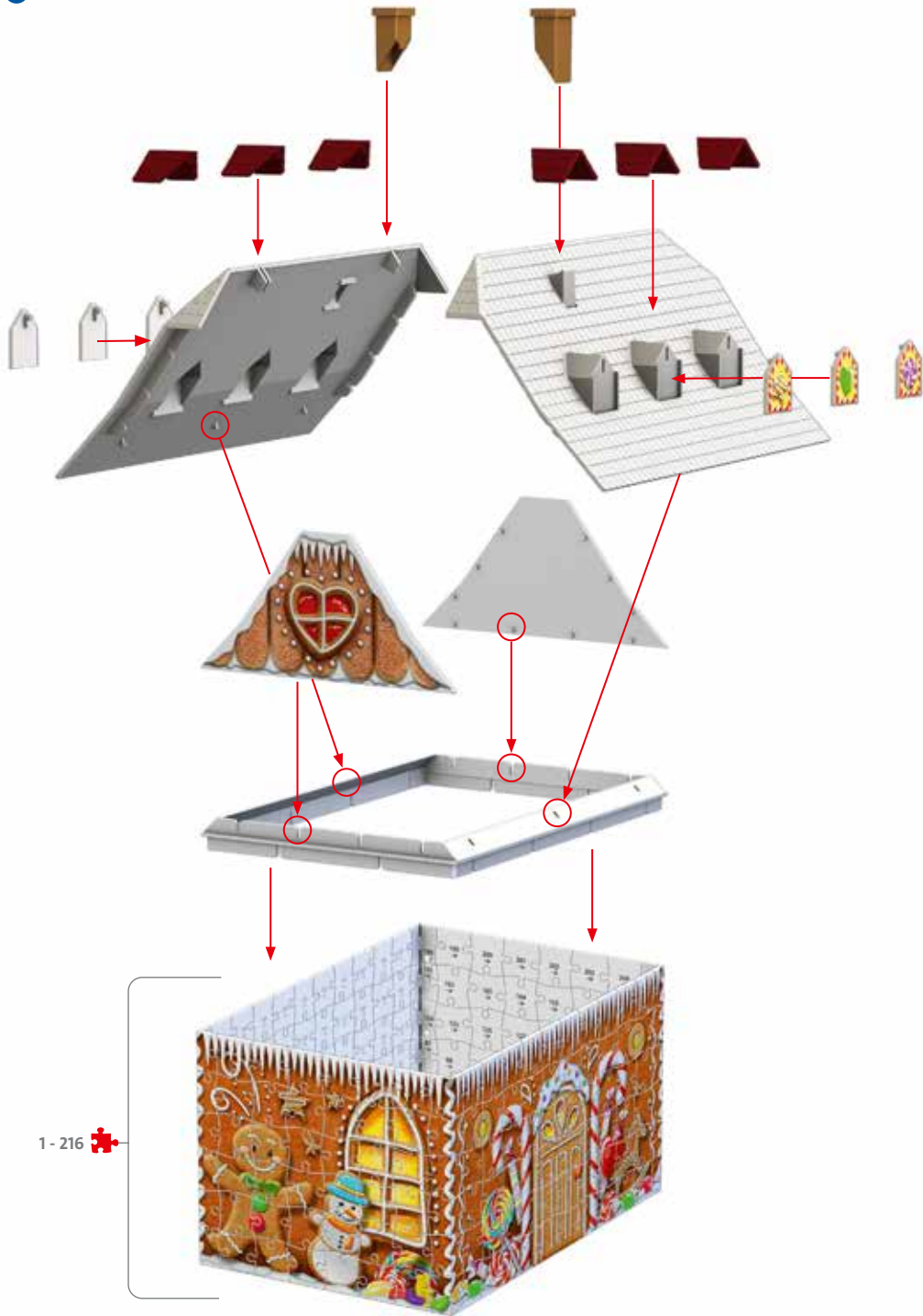


Gingerbread House Night Edition

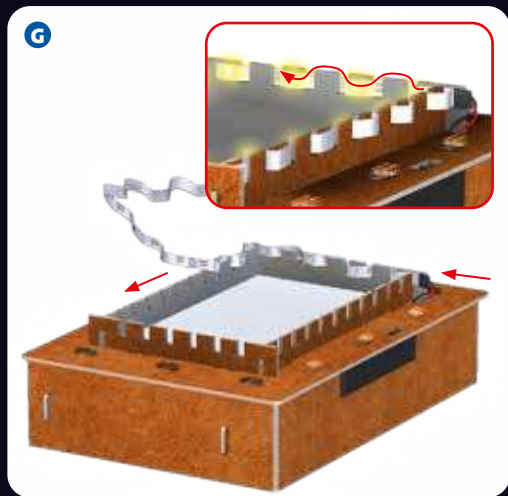
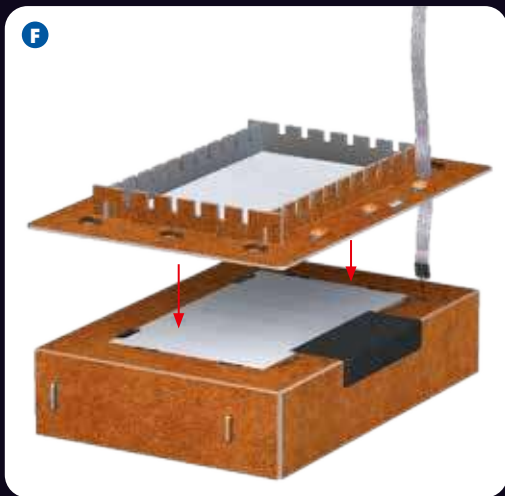
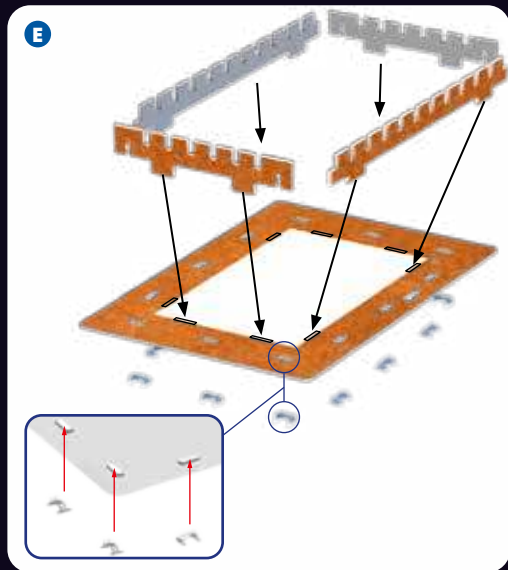
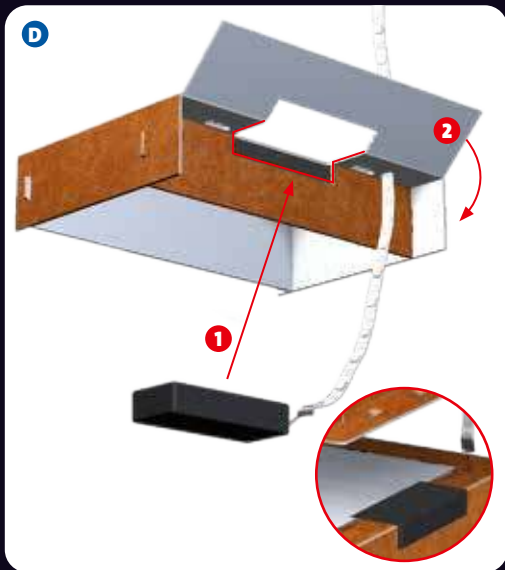
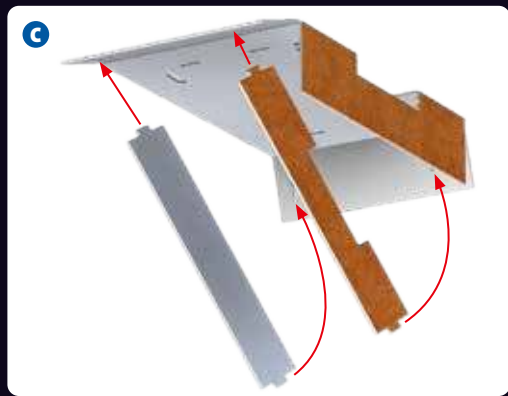
# 3D Puzzle



A



1 - 216 



A



B G



H

