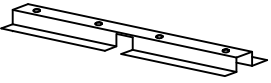
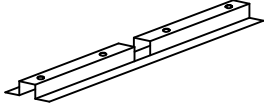
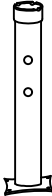
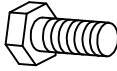

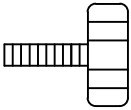
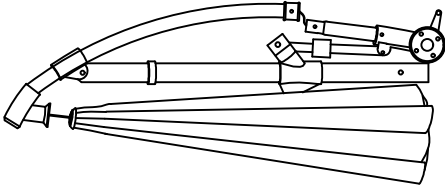
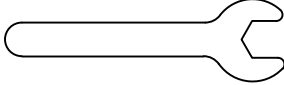
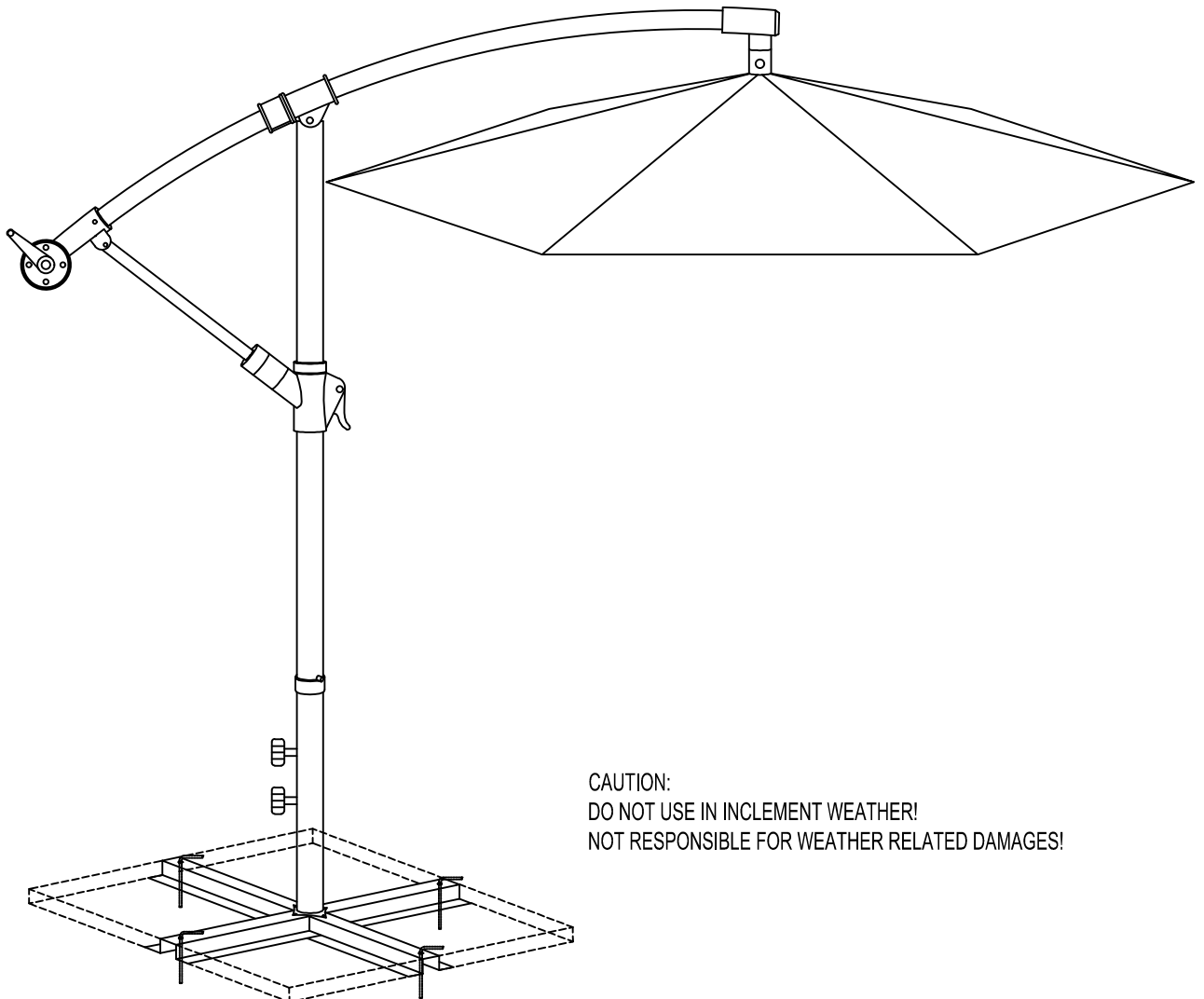


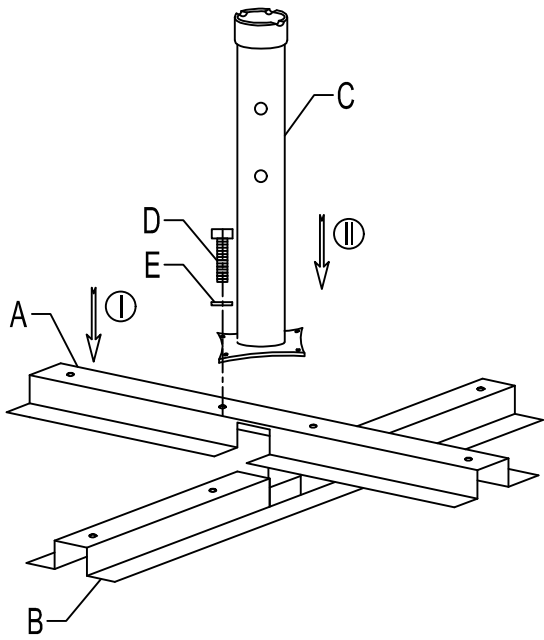
# ASSEMBLY INSTRUCTION

|  |  |  |  |   |
|--|--|--|--|---|
|  <p>TOP BASE CROSS BAR</p>             |  <p>BOTTOM BASE CROSS BAR</p> |  <p>BASE POLE</p> |  <p>M8*20MM<br/>BASE BOLT</p> |  <p>WASHER</p> |
| <p>A 1 PC</p>  | <p>B 1 PC</p>  | <p>C 1 PC</p>  | <p>D 4 PCS</p>   | <p>E 4 PCS</p>  |
|  <p>UMBRELLA POLE TIGHTENING SCREW</p> |  <p>UMBRELLA ASSEMBLY</p>     |  <p>WRENCH</p>   |  |   |
| <p>F 2 PCS</p>   | <p>G 1 PC</p>  | <p>H 1 PC</p>  |  |   |

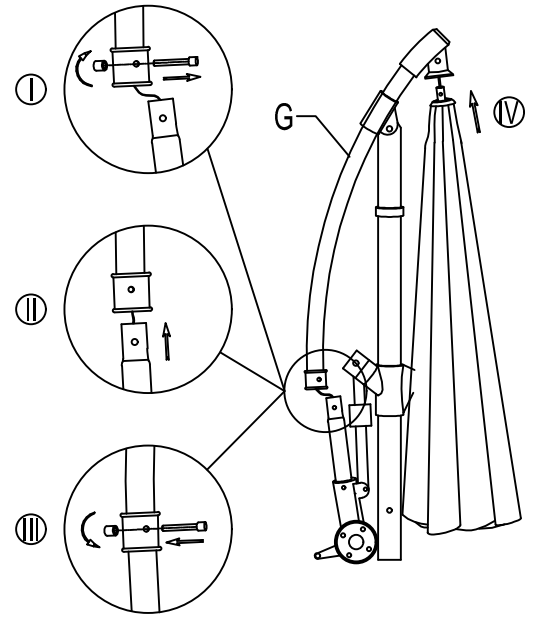


CAUTION:  
DO NOT USE IN INCLEMENT WEATHER!  
NOT RESPONSIBLE FOR WEATHER RELATED DAMAGES!

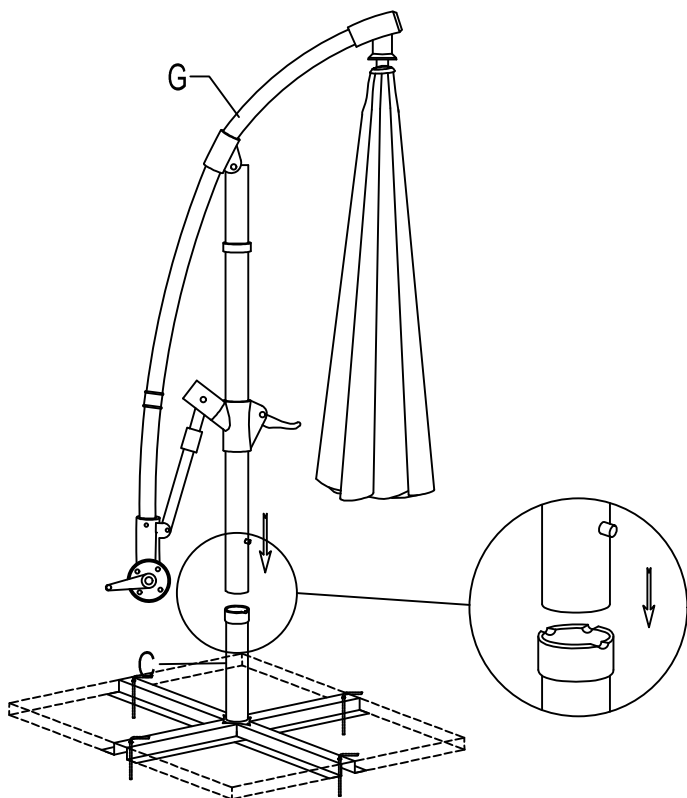
①



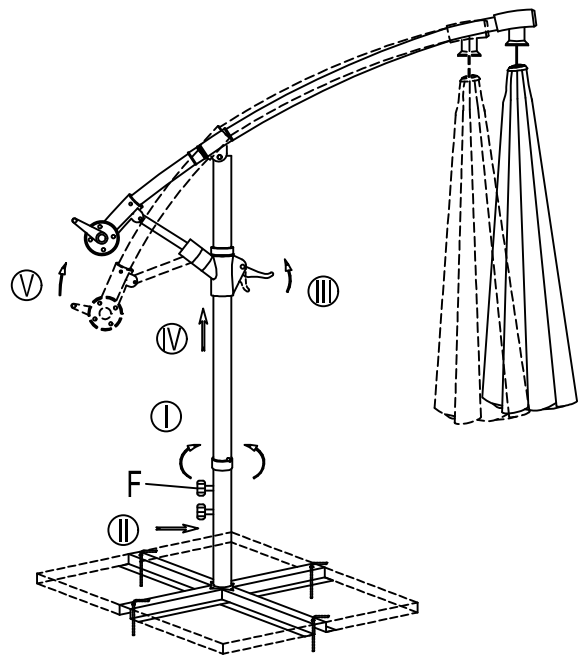
②



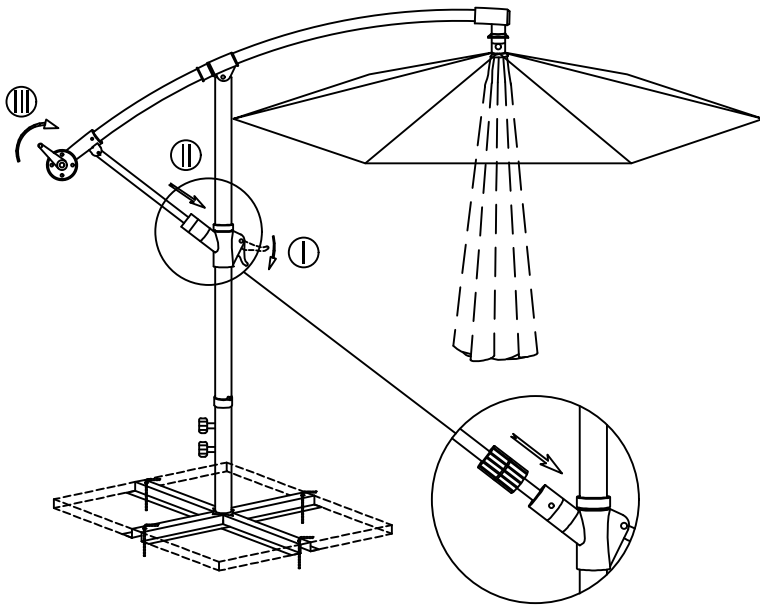
③



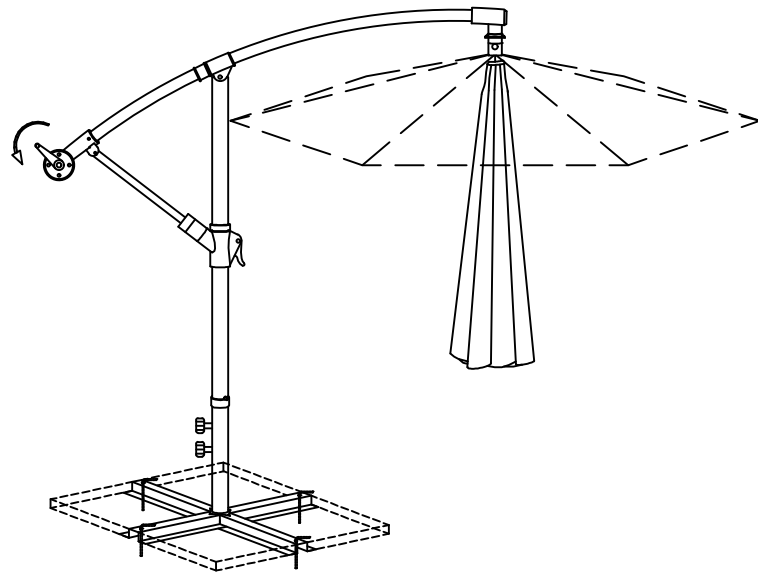
④



5

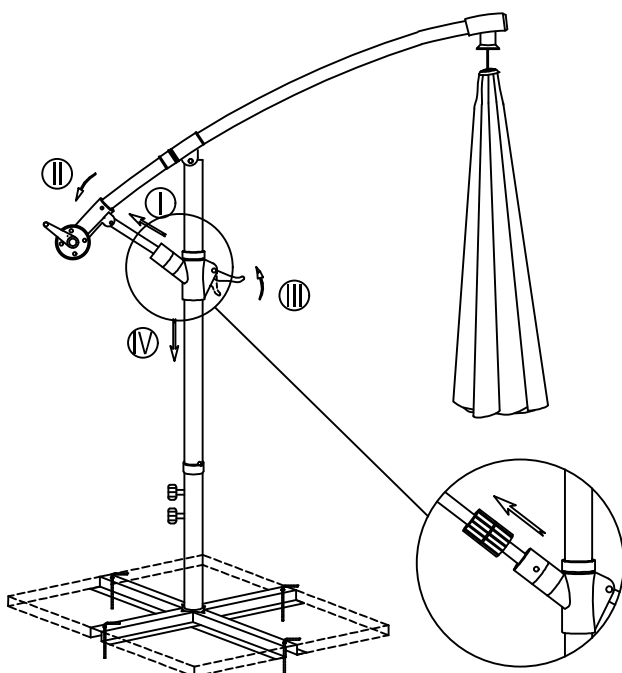


6



**IMPORTANT:**  
 PLACE UMBRELLA STAND WEIGHTS (SQUARE PATIO BLOCKS) ON TOP OF THE CROSSBAR'S FLAT EDGES TO SECURE. IF PLACED ON A WOOD SURFACE, IT IS ALSO RECOMMENDED CROSS BARS BE SECURED WITH LEG BOLTS ( UP TO 3/8") TO THE DECK.

7



8

