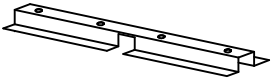
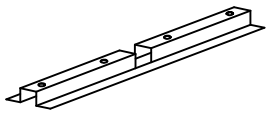
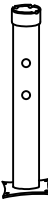
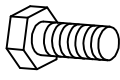

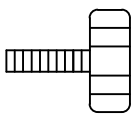
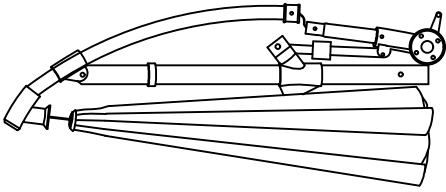
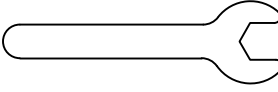
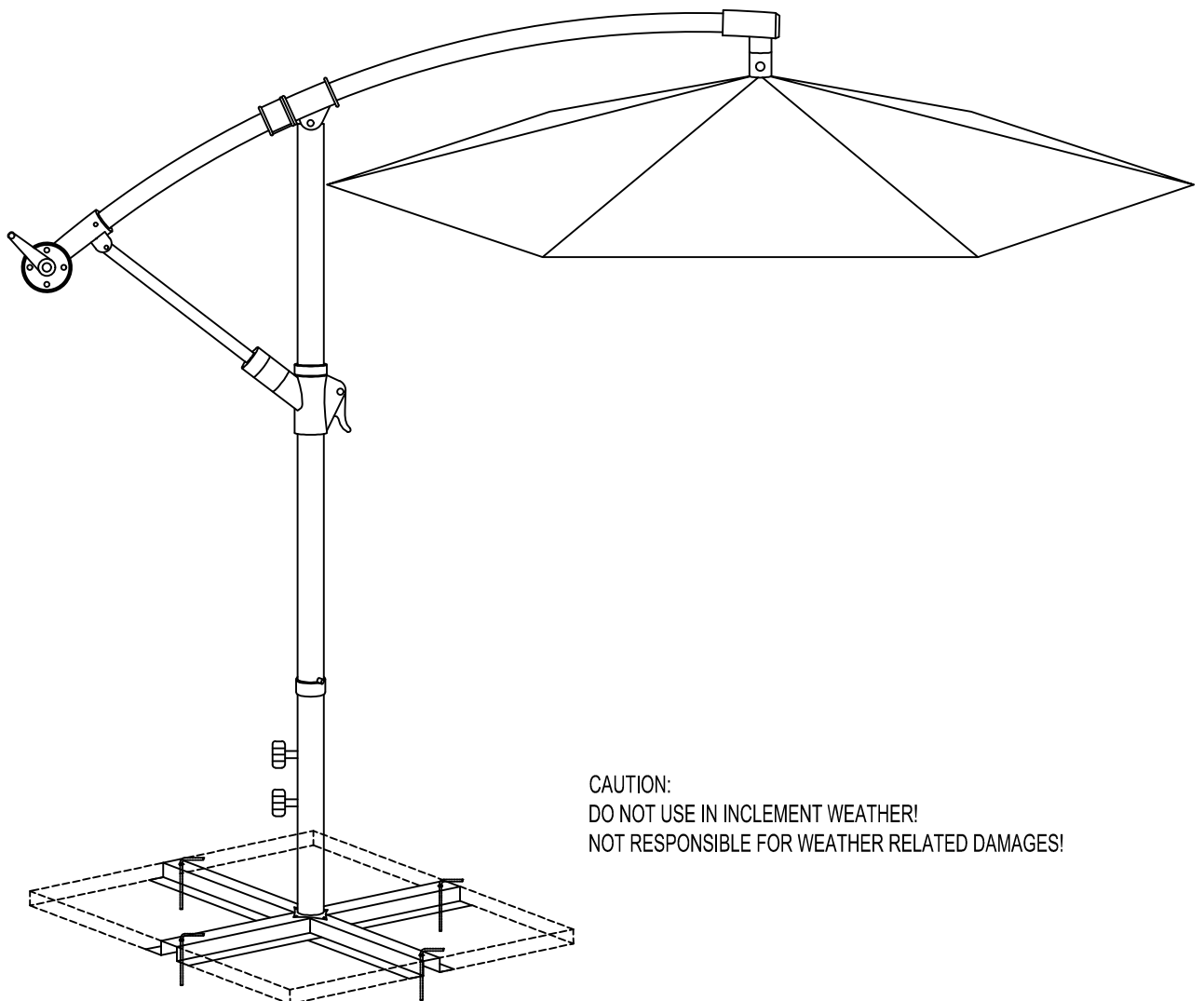


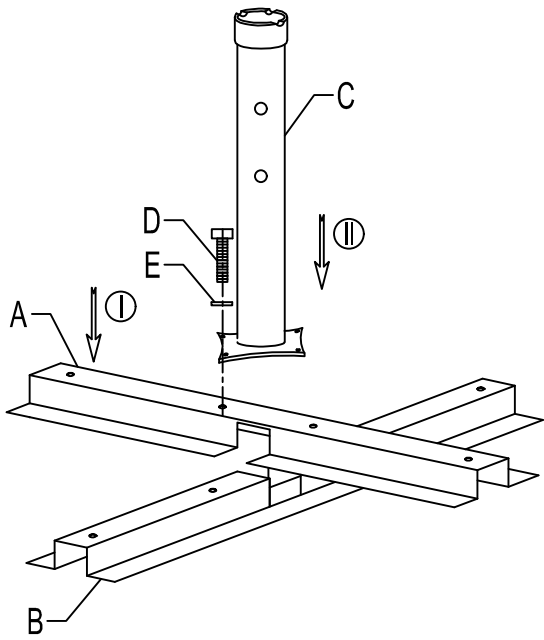
# ASSEMBLY INSTRUCTION

 <p>TOP BASE CROSS BAR</p>	 <p>BOTTOM BASE CROSS BAR</p>	 <p>BASE POLE</p>	 <p>M8*20MM BASE BOLT</p>	 <p>WASHER</p>
<p>A 1 PC</p>	<p>B 1 PC</p>	<p>C 1 PC</p>	<p>D 4 PCS</p>	<p>E 4 PCS</p>
 <p>UMBRELLA POLE TIGHTENING SCREW</p>	 <p>UMBRELLA ASSEMBLY</p>	 <p>WRENCH</p>		
<p>F 2 PCS</p>	<p>G 1 PC</p>	<p>H 1 PC</p>		

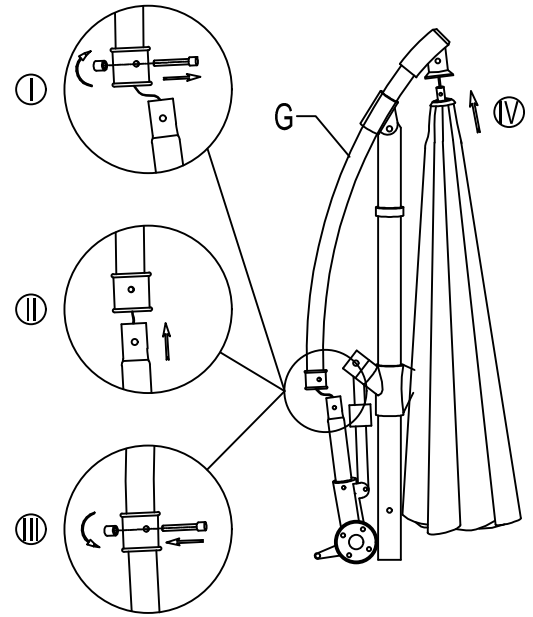


CAUTION:  
DO NOT USE IN INCLEMENT WEATHER!  
NOT RESPONSIBLE FOR WEATHER RELATED DAMAGES!

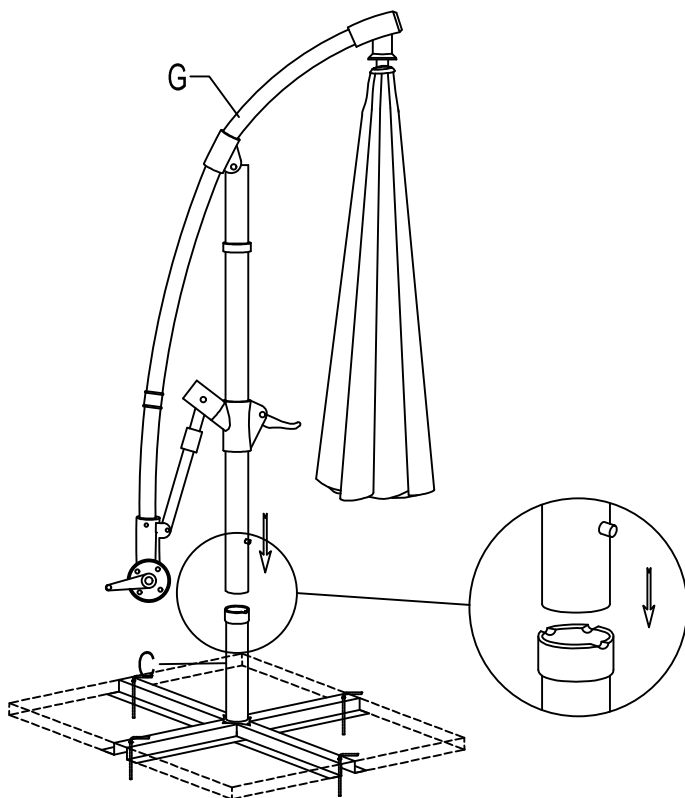
①



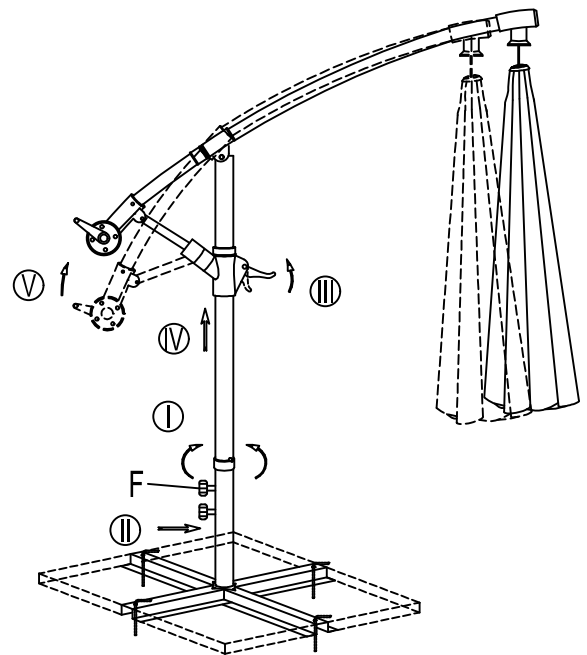
②



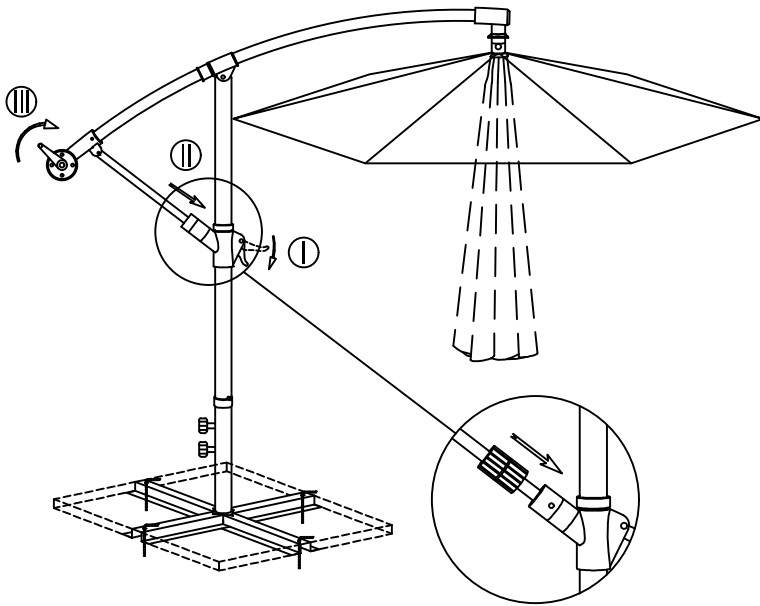
③



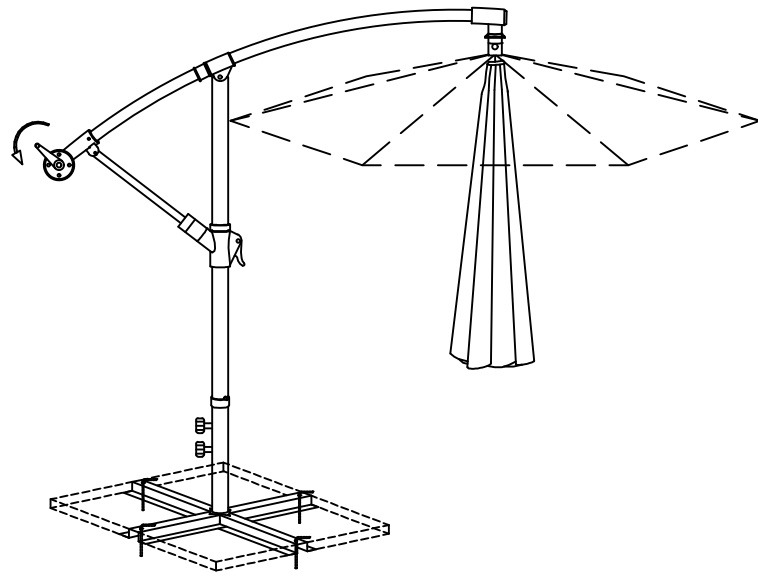
④



5

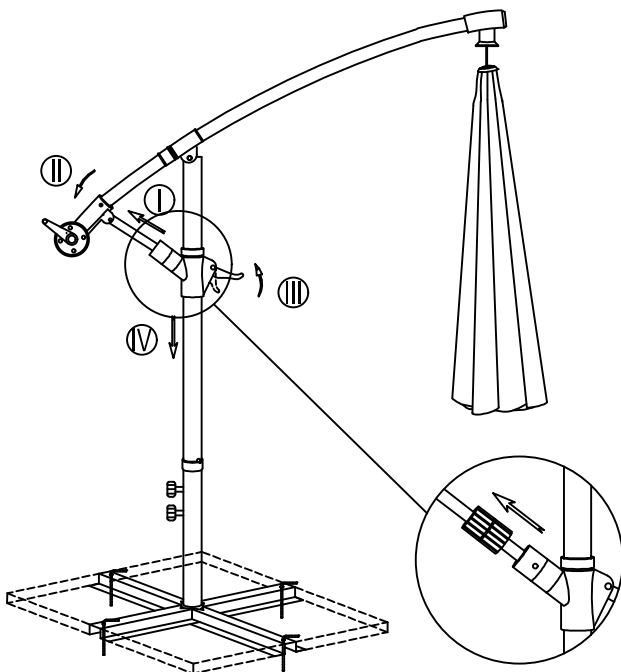


6



**IMPORTANT:**  
 PLACE UMBRELLA STAND WEIGHTS (SQUARE PATIO BLOCKS) ON TOP OF THE CROSSBAR'S FLAT EDGES TO SECURE. IF PLACED ON A WOOD SURFACE, IT IS ALSO RECOMMENDED CROSS BARS BE SECURED WITH LEG BOLTS ( UP TO 3/8") TO THE DECK.

7



8

