

home

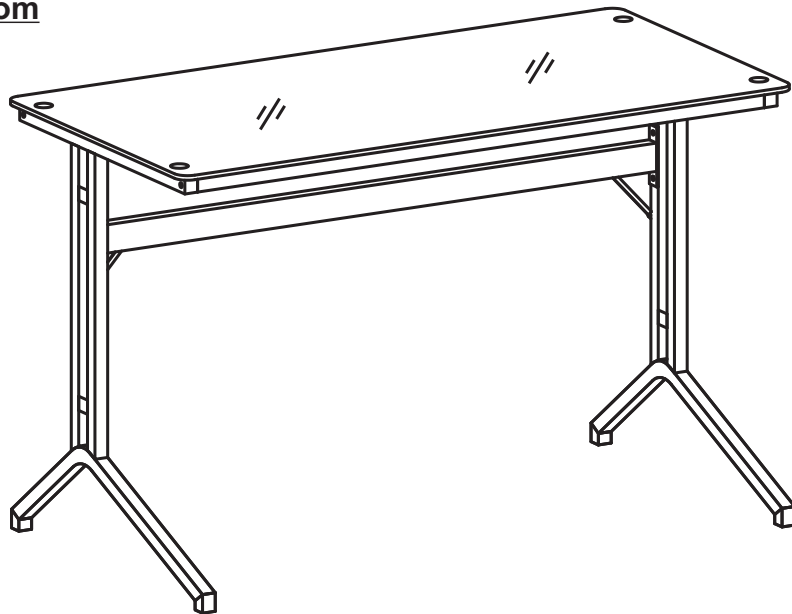
for quality home and office furniture

piranha® CAPELIN ASSEMBLY INSTRUCTIONS

Please read this guide carefully and check that you have all parts before you begin assembly. As a thank you for your purchase, we would like to offer you a 10% discount* off our range of matching furniture on www.homeinonline.com with voucher code **10%MATCH**.

Need help with your item or unhappy?

If you have **ANY** questions, please do not hesitate to email us on info@homeinonline.com and we will do our very best to help. You can also contact us via our website www.homeinonline.com



TWO PEOPLE RECOMMENDED

PC17 (CAPELIN)

General Care:

Keep furniture out of direct sunlight. Use mats and coasters to protect surfaces.
Do not place hot or wet items directly onto unprotected surfaces.

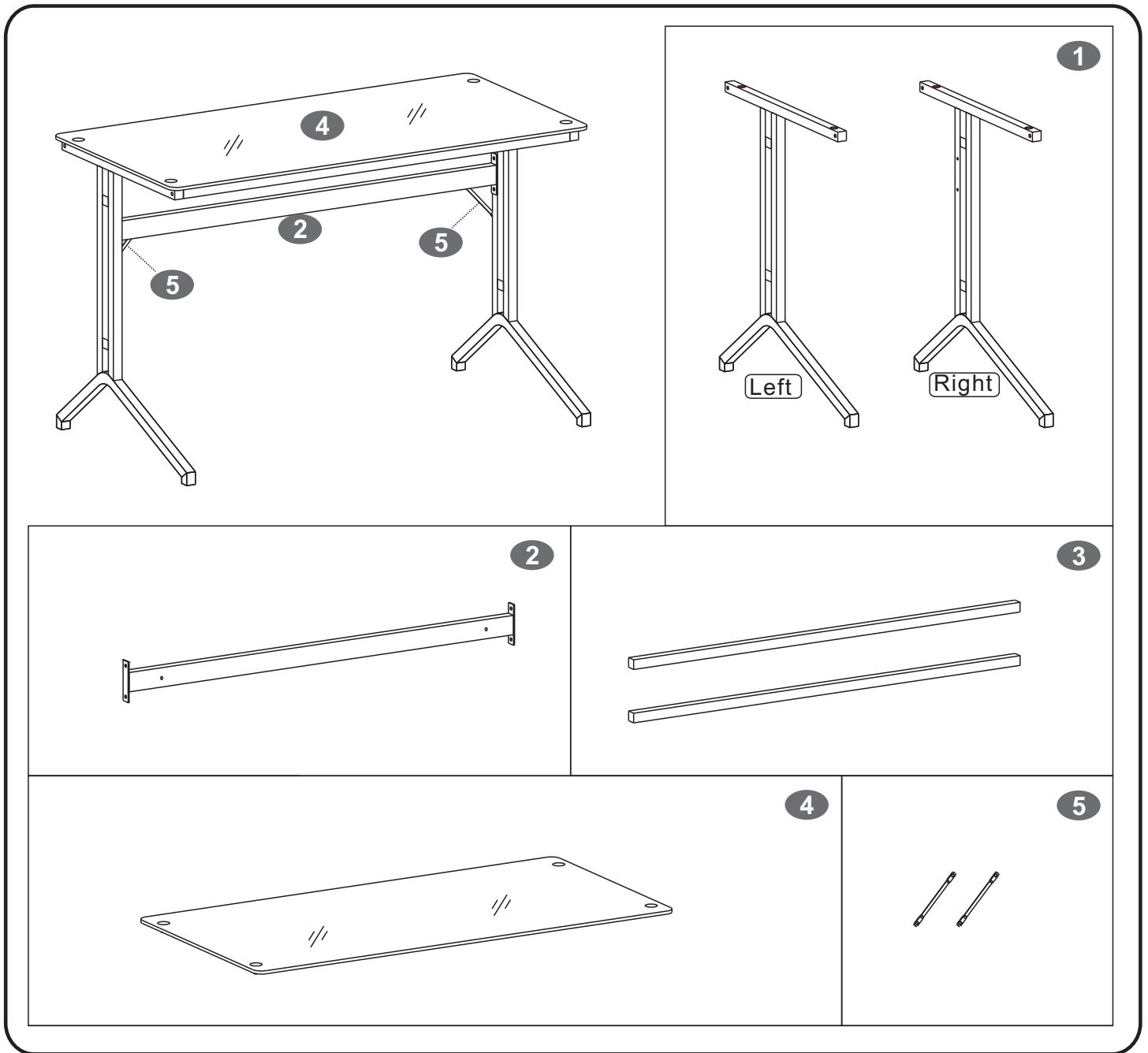
Cleaning:

Wipe surfaces with a clean damp (not wet) cloth then dry with a clean lint free cotton cloth.
Glass surfaces may be polished with window or other glass cleaning liquids.

Please retain cartons until assembled as goods MUST be returned in original packaging.



▪PARTS LIST



▪SCREWS LIST

PART	QTY.	ITEM	
A	4	6X40 MM	
B	8	6X15 MM	
C	4	6X20 MM	

PART	QTY.	ITEM	
D	12	Φ 10MM	
	1		



ASSEMBLY STEPS:

1

1 Left

1 Right

3

SCREWS

- A** 6X40 MM 4PCS
- D** Φ 10MM 4PCS

2

1 Right

1 Left

2

Down

SCREWS

- B** 6X15 MM 4PCS
- D** Φ 10MM 4PCS

3

1 Right

1 Left

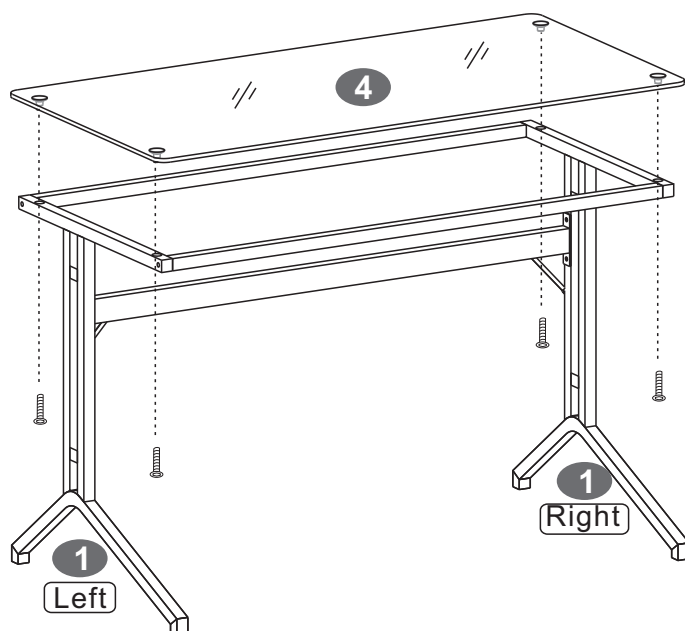
2

5

SCREWS

- B** 6X15 MM 4PCS
- D** Φ 10MM 4PCS

4



■ SCREWS

C 6X20 MM

 4PCS



5

