

# home

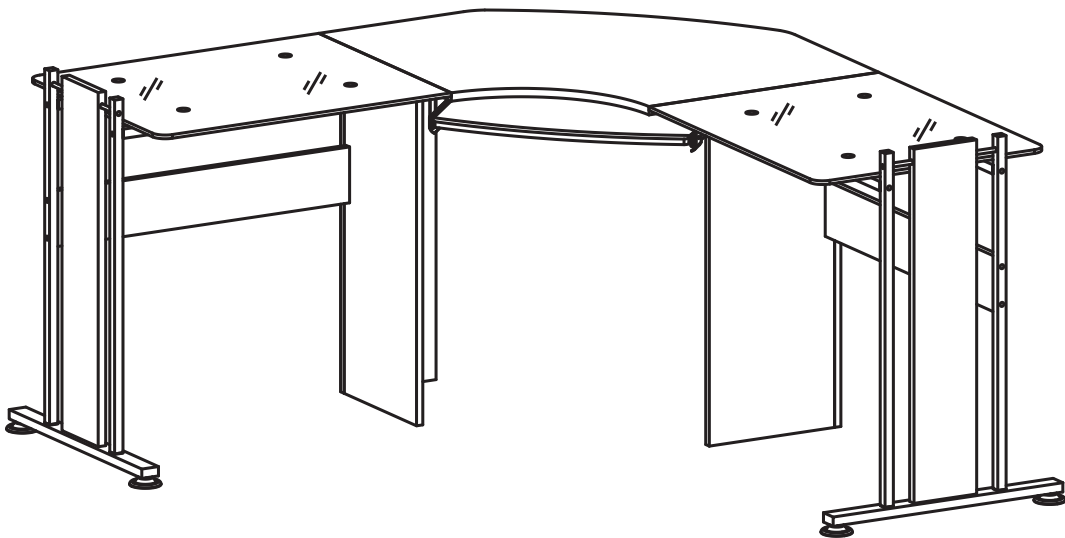
for quality home and office furniture

## piranha® FRIGATE ASSEMBLY INSTRUCTIONS

Please read this guide carefully and check that you have all parts before you begin assembly. As a thank you for your purchase, we would like to offer you a 10% discount\* off our range of matching furniture on [www.homeinonline.com](http://www.homeinonline.com) with voucher code **10%MATCH**.

### Need help with your item or unhappy?

If you have **ANY** questions, please do not hesitate to email us on [info@homeinonline.com](mailto:info@homeinonline.com) and we will do our very best to help. You can also contact us via our website [www.homeinonline.com](http://www.homeinonline.com)



**TWO PEOPLE RECOMMENDED**

**PC42 (FRIGATE)**

#### **General Care:**

Keep furniture out of direct sunlight. Use mats and coasters to protect surfaces.  
Do not place hot or wet items directly onto unprotected surfaces.

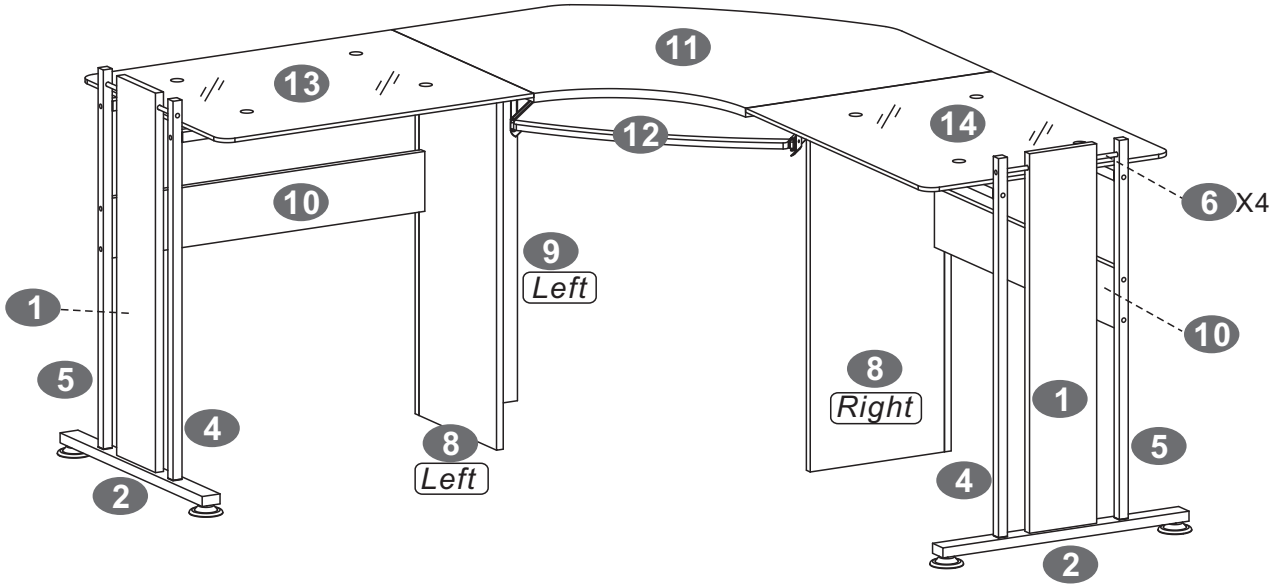
#### **Cleaning:**

Wipe surfaces with a clean damp (not wet) cloth then dry with a clean lint free cotton cloth.  
Glass surfaces may be polished with window or other glass cleaning liquids.


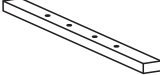




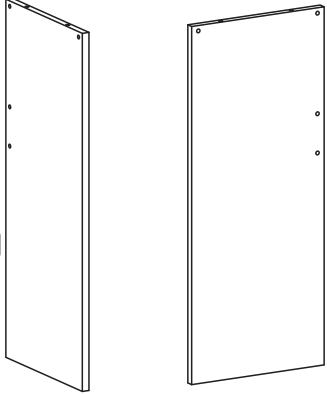

**Please retain cartons until assembled as goods MUST be returned in original packaging.**

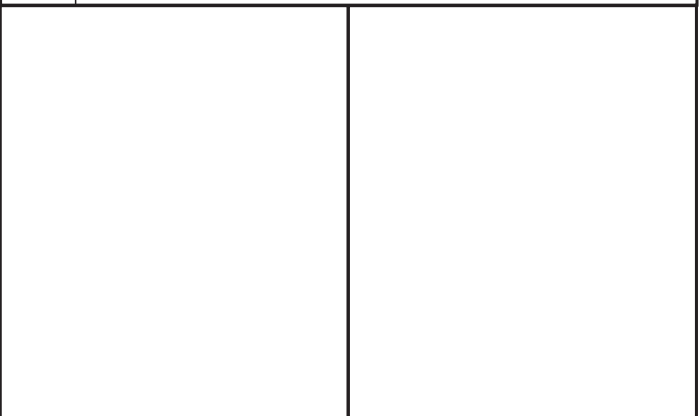
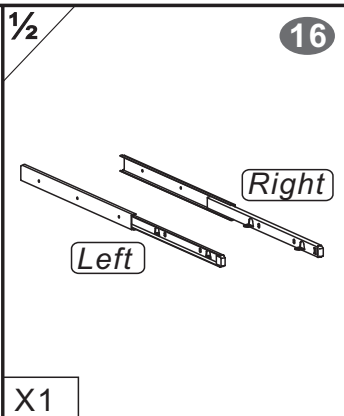
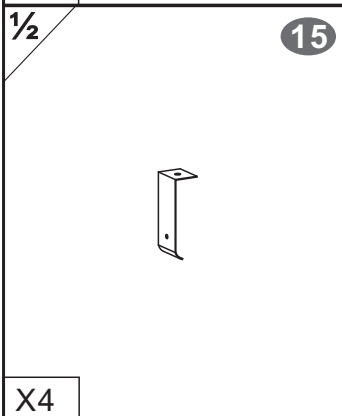
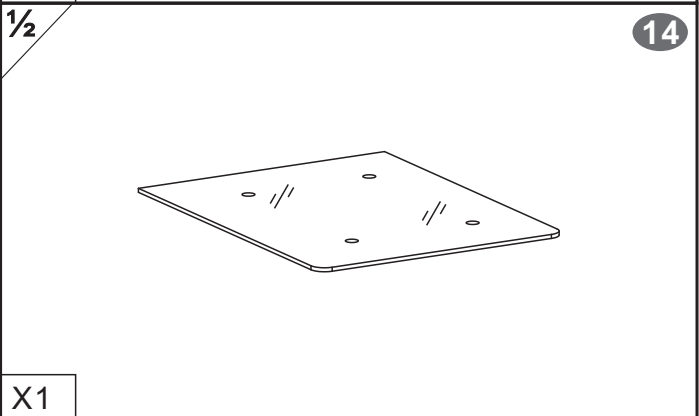
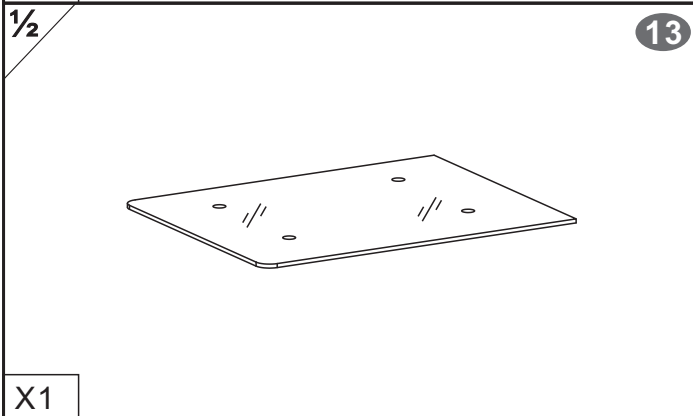
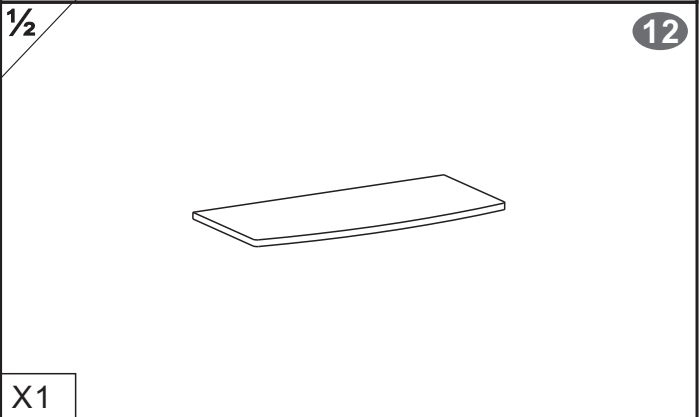
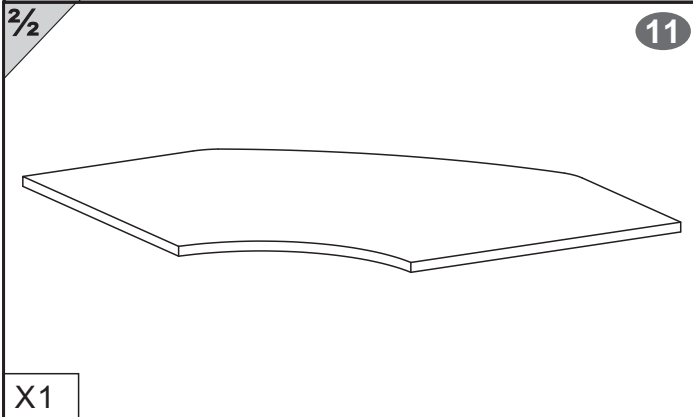
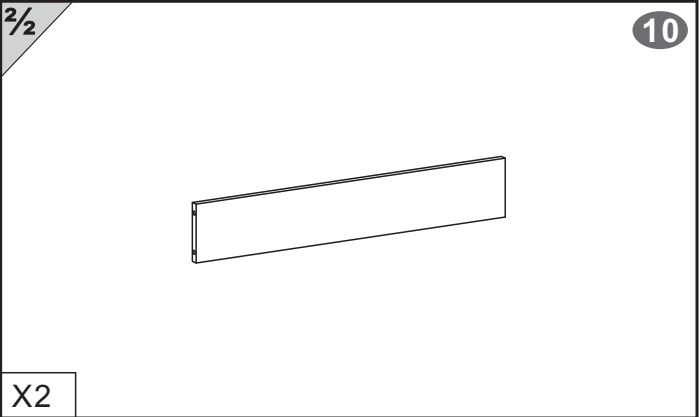
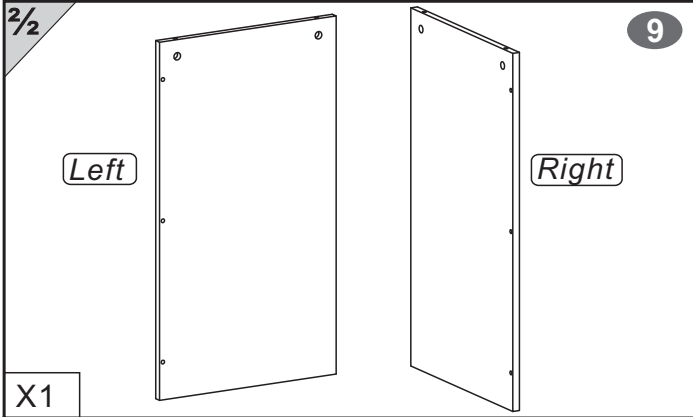


▪PARTS LIST



1/2 means this part is packed inside 1st carton  
 2/2 means this part is packed inside 2nd carton

1/2  X2	1/2  X2	1/2  X4	1/2  X2
1/2  X2	1/2  X4	2/2  Left Right	
	1/2  X4		



X4

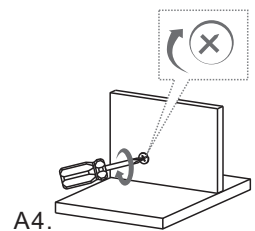
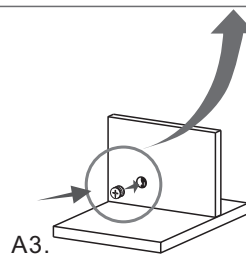
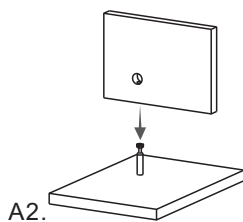
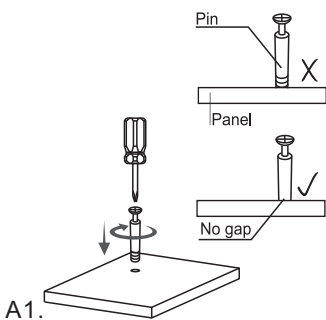
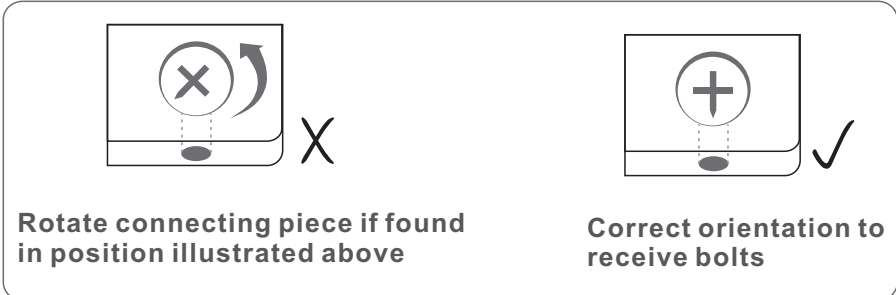
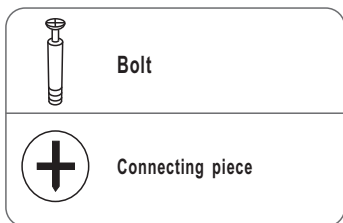
X1



### ▪SCREWS LIST

PART	QTY.	ITEM		PART	QTY.	ITEM	
<b>A</b>	18	6X50 MM		<b>G</b>	4	4X4 MM	
<b>B</b>	20	6X25 MM		<b>H</b>	18	Φ 10 MM	
<b>C</b>	4	6X12 MM		<b>I</b>	8	Φ 15 MM	
<b>D</b>	4	6X80 MM			1		
<b>E</b>	8	6X40 MM					
<b>F</b>	4	4X14 MM					

### 6X40MM BOLT INSTALLATION AS BELOW:





ASSEMBLY STEPS:

**1**

**SCREWS**

**B 6X25 MM**

x1

**2**

**SCREWS**

**D 6X80 MM**

x1

**3**

**SCREWS**

**A 6X50 MM**

x2

**H  $\Phi$  10 MM**

x2

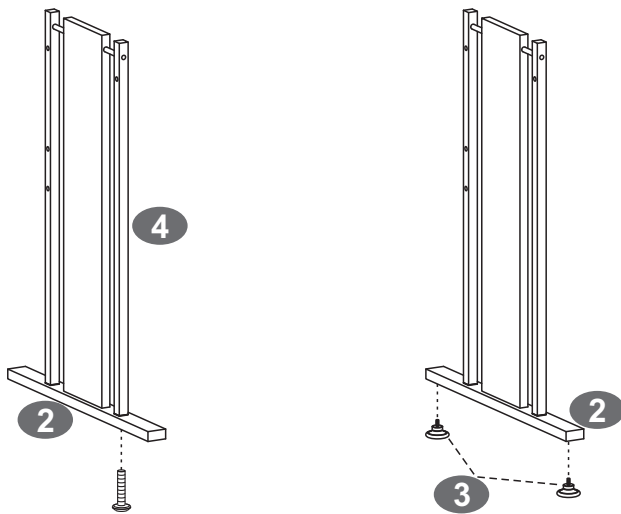
**4**

**SCREWS**

**D 6X80 MM**

x1

5



Repeat step 1 to 5  
For the other one

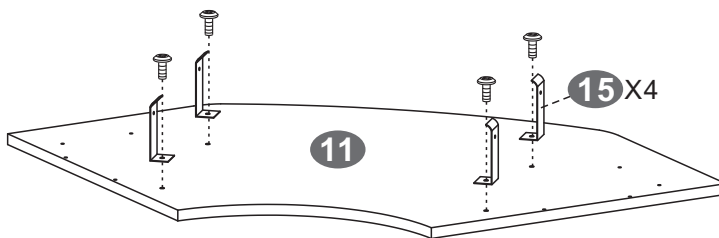
SCREWS

**B** 6X25 MM

x1



6



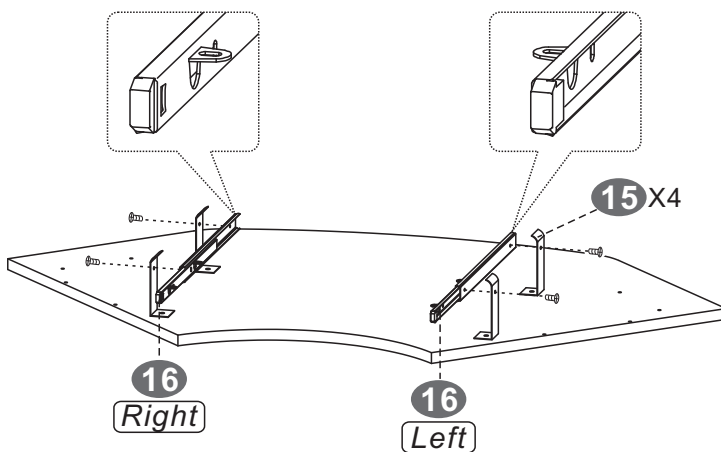
SCREWS

**C** 6X12 MM

x4



7



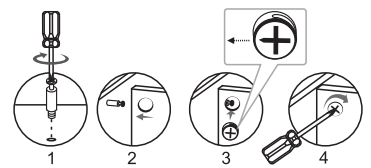
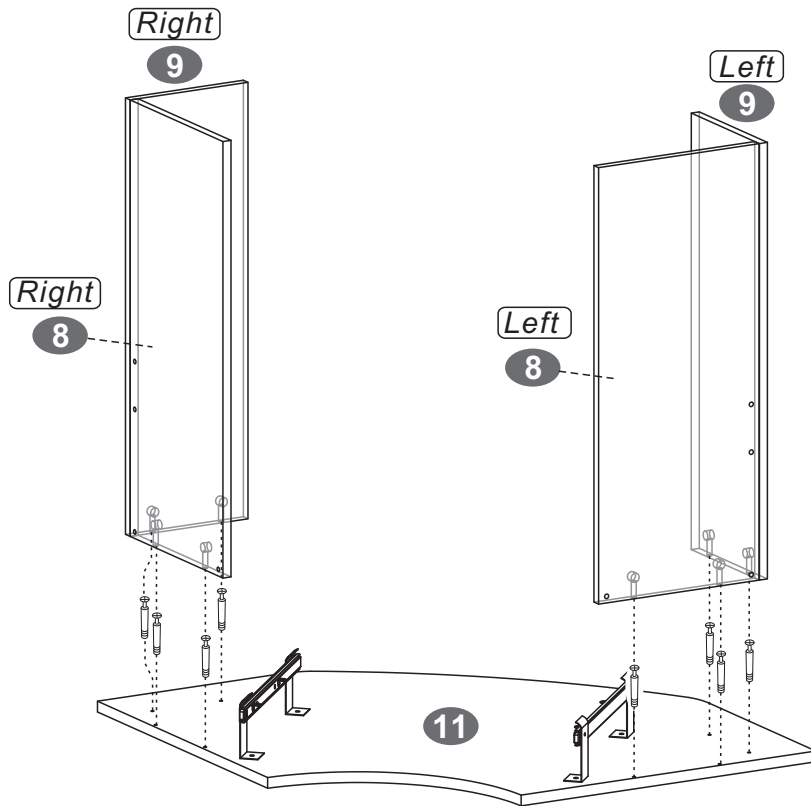
SCREWS

**G** 4X4 MM

x4



8



▪ SCREWS

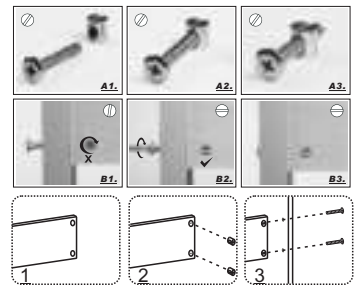
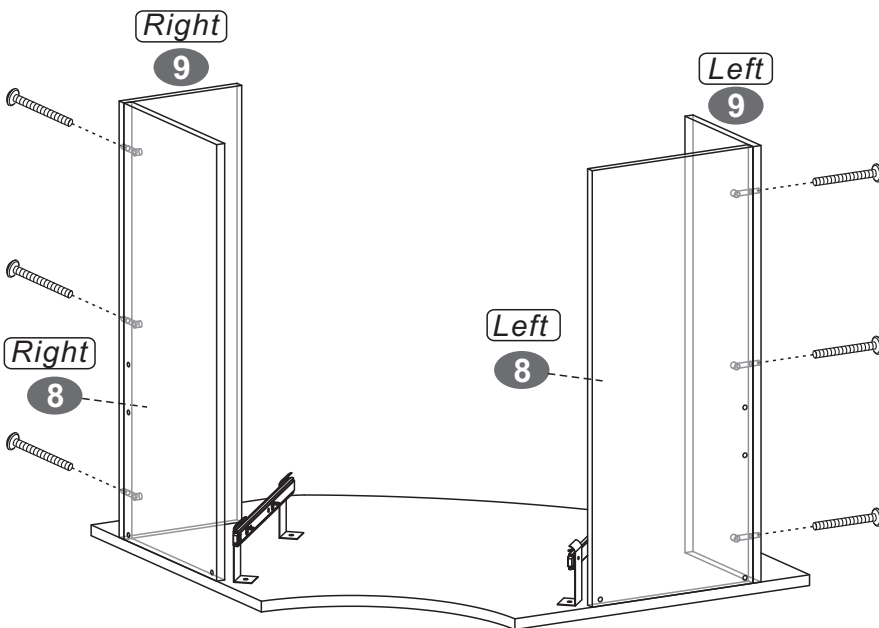
**E** 6X40 MM

x8

**I**  $\Phi$  15 MM

x8

9



▪ SCREWS

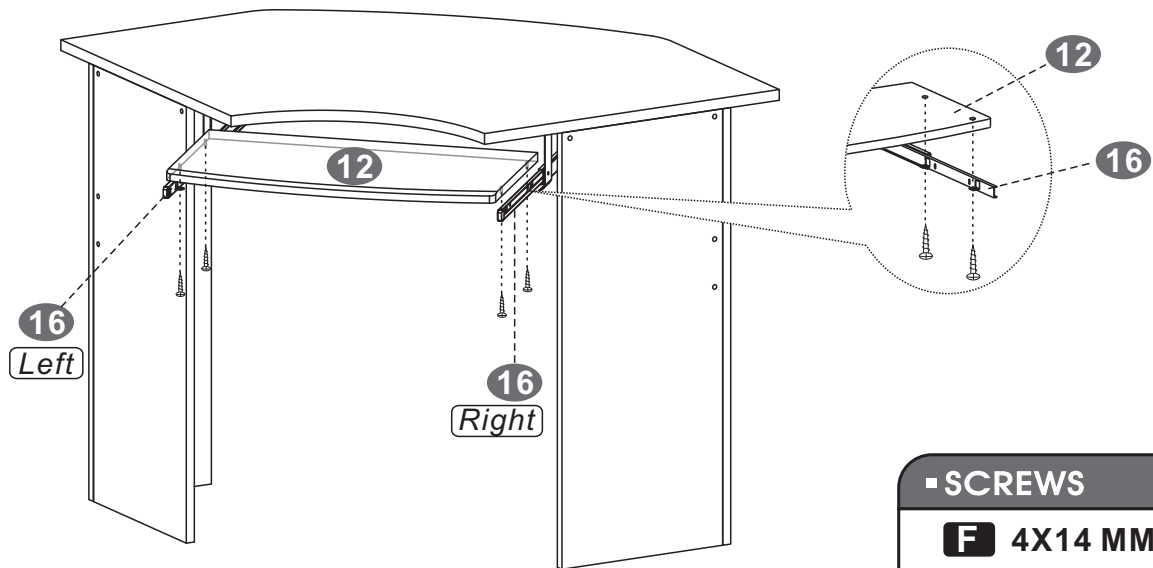
**A** 6X50 MM

x6

**H**  $\Phi$  10 MM

x6

10



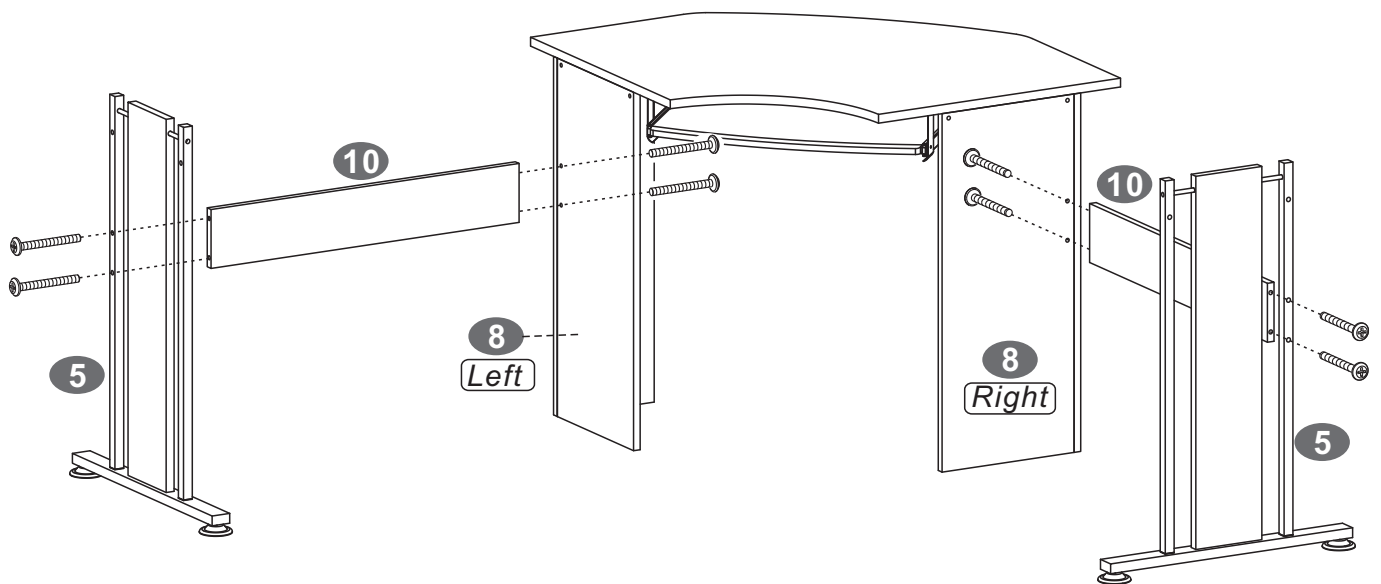
▪ SCREWS

**F** 4X14 MM

 x4



11



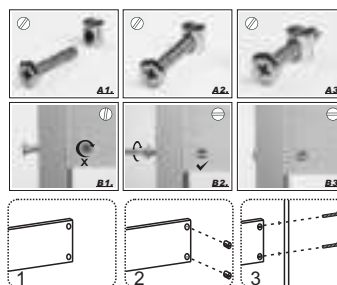
▪ SCREWS

**A** 6X50 MM

 x8

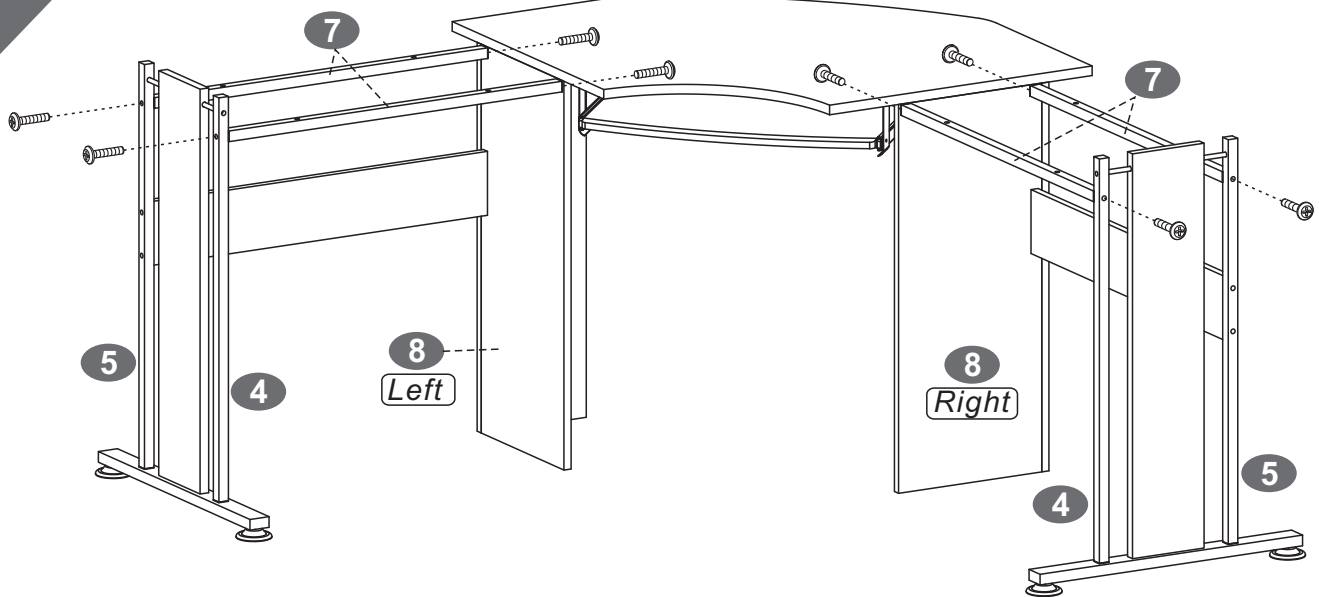
**H**  $\Phi$  10 MM

 x8







12



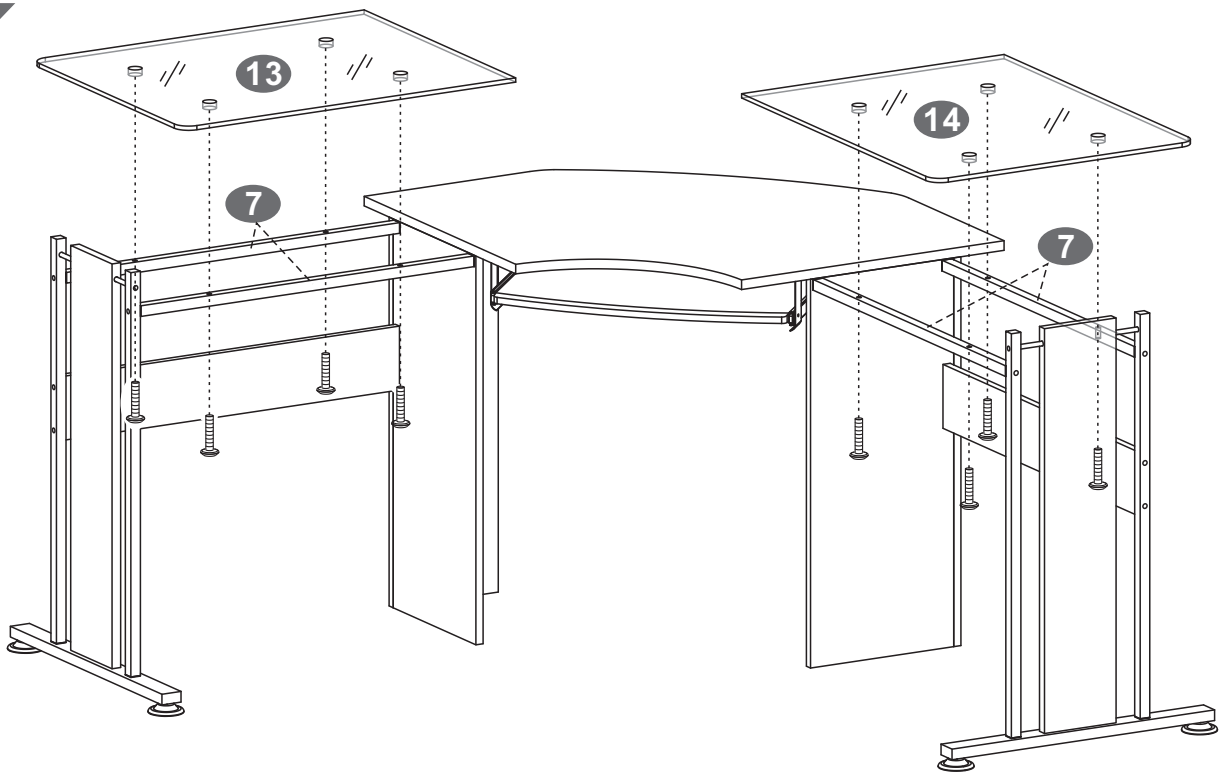
■ SCREWS

**B** 6X25 MM

 x8




13



■ SCREWS

**B** 6X25 MM

 x8

