

home

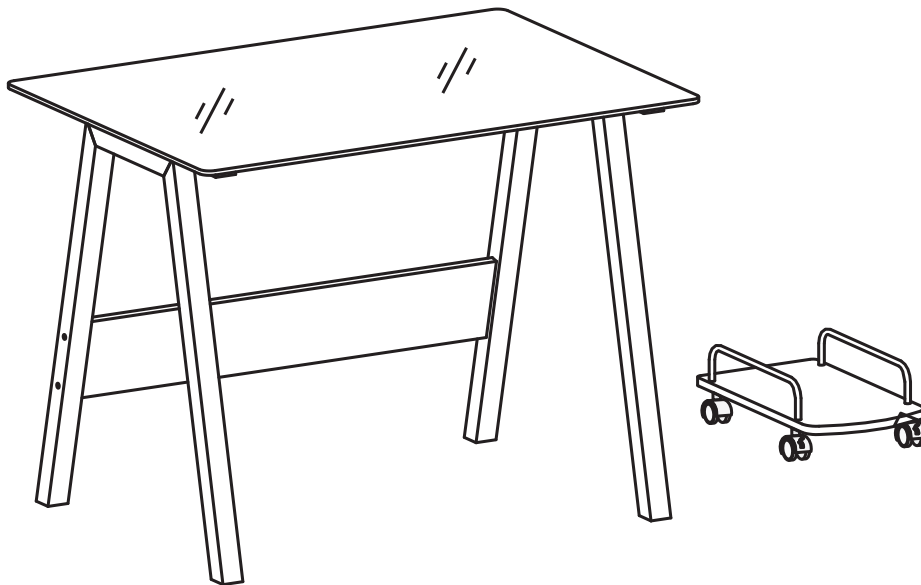
for quality home and office furniture

piranha® BARBEL ASSEMBLY INSTRUCTIONS

Please read this guide carefully and check that you have all parts before you begin assembly. As a thank you for your purchase, we would like to offer you a 10% discount* off our range of matching furniture on www.homeinonline.com with voucher code **10%MATCH**.

Need help with your item or unhappy?

If you have **ANY** questions, please do not hesitate to email us on info@homeinonline.com and we will do our very best to help. You can also contact us via our website www.homeinonline.com



TWO PEOPLE RECOMMENDED

PC7 (BARBEL)

General Care:

Keep furniture out of direct sunlight. Use mats and coasters to protect surfaces.
Do not place hot or wet items directly onto unprotected surfaces.

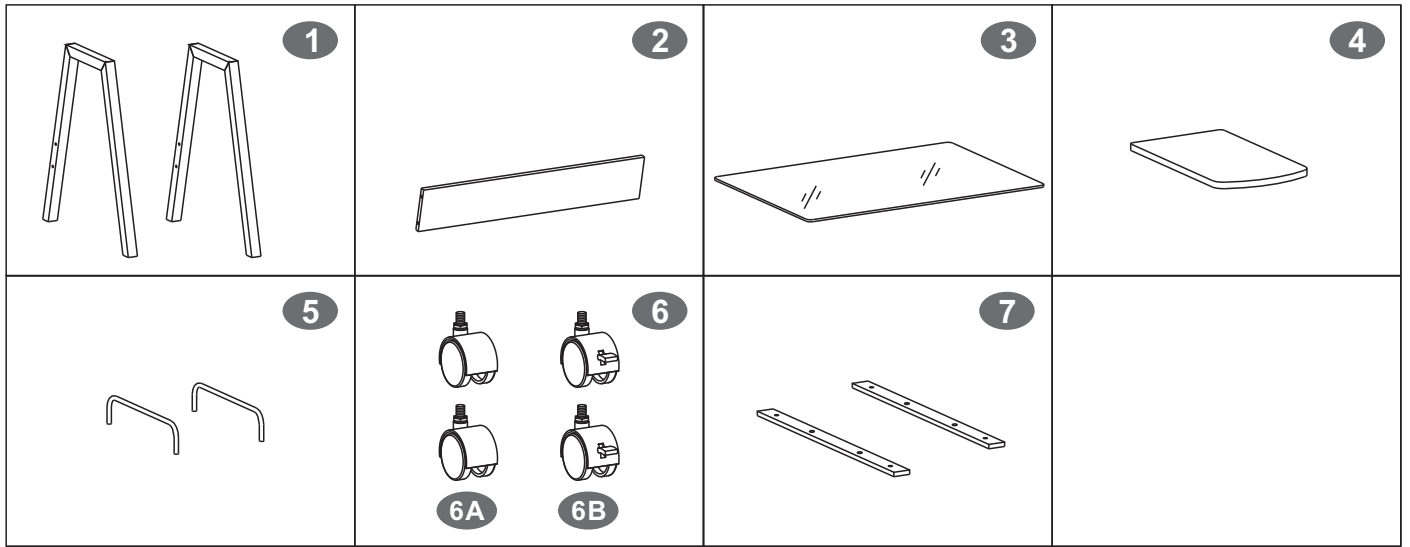
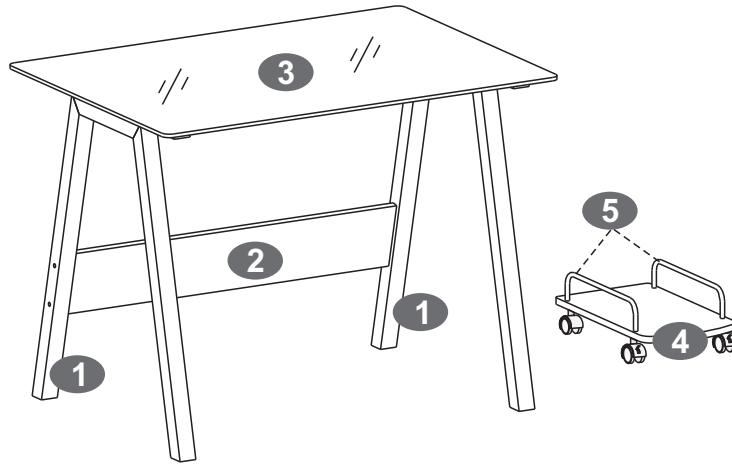
Cleaning:

Wipe surfaces with a clean damp (not wet) cloth then dry with a clean lint free cotton cloth.
Glass surfaces may be polished with window or other glass cleaning liquids.

Please retain cartons until assembled as goods MUST be returned in original packaging.



▪PARTS LIST



▪SCREWS LIST

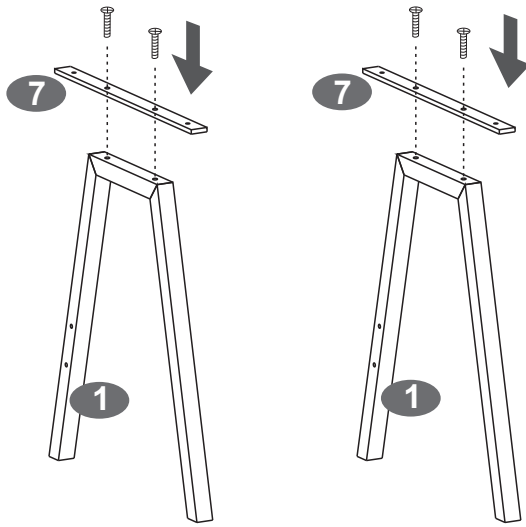
PART	QTY.	ITEM	
A	4	6X65 MM	
B	4	6X15 MM	
C	4	6X25 MM	

PART	QTY.	ITEM	
D	4	6X20 MM	
E	4	Φ 10 MM	
	1		



ASSEMBLY STEPS:

1



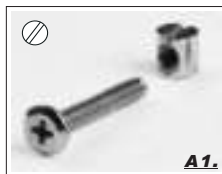
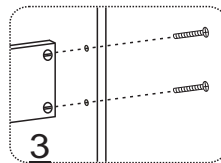
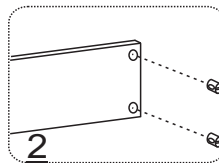
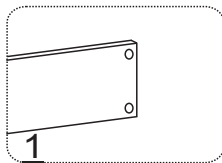
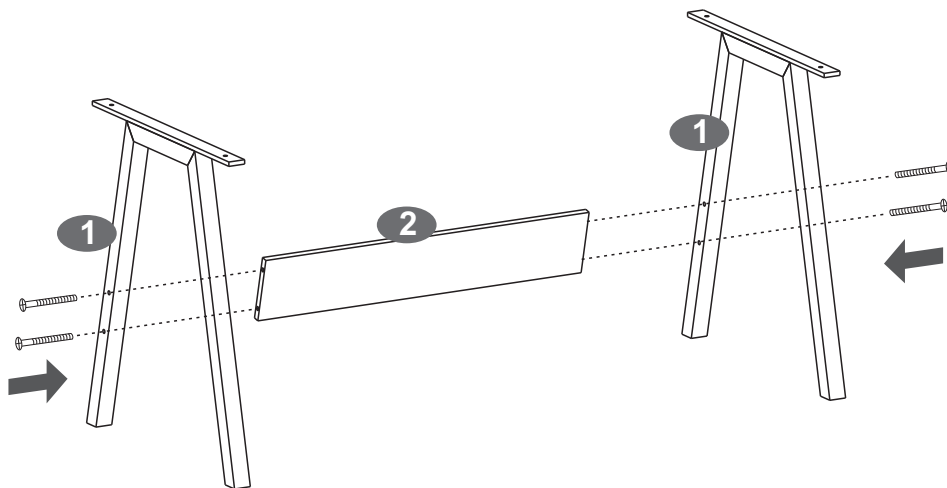
SCREWS

D 6X20 MM

 4PCS

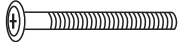


2



SCREWS

A 6X65 MM

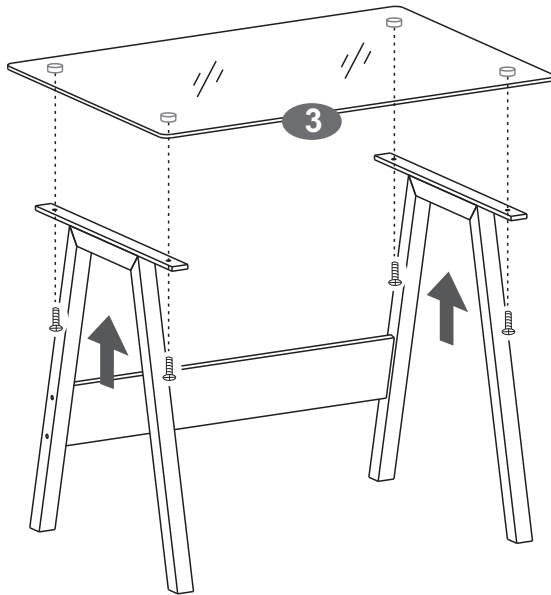
 4PCS



E Φ 10 MM

 4PCS

3



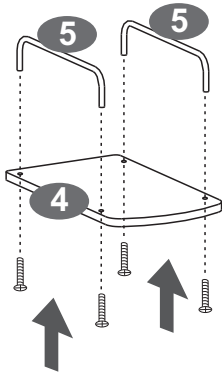
▪ SCREWS

B 6X15 MM

 4PCS



4



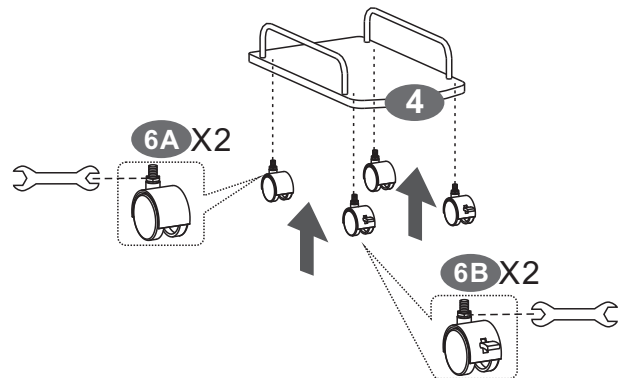
▪ SCREWS

C 6X25 MM

 4PCS



5



6

