

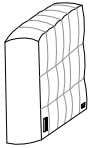


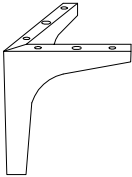
Assembly instructions for the armchair, including tool requirements, time, and personnel.

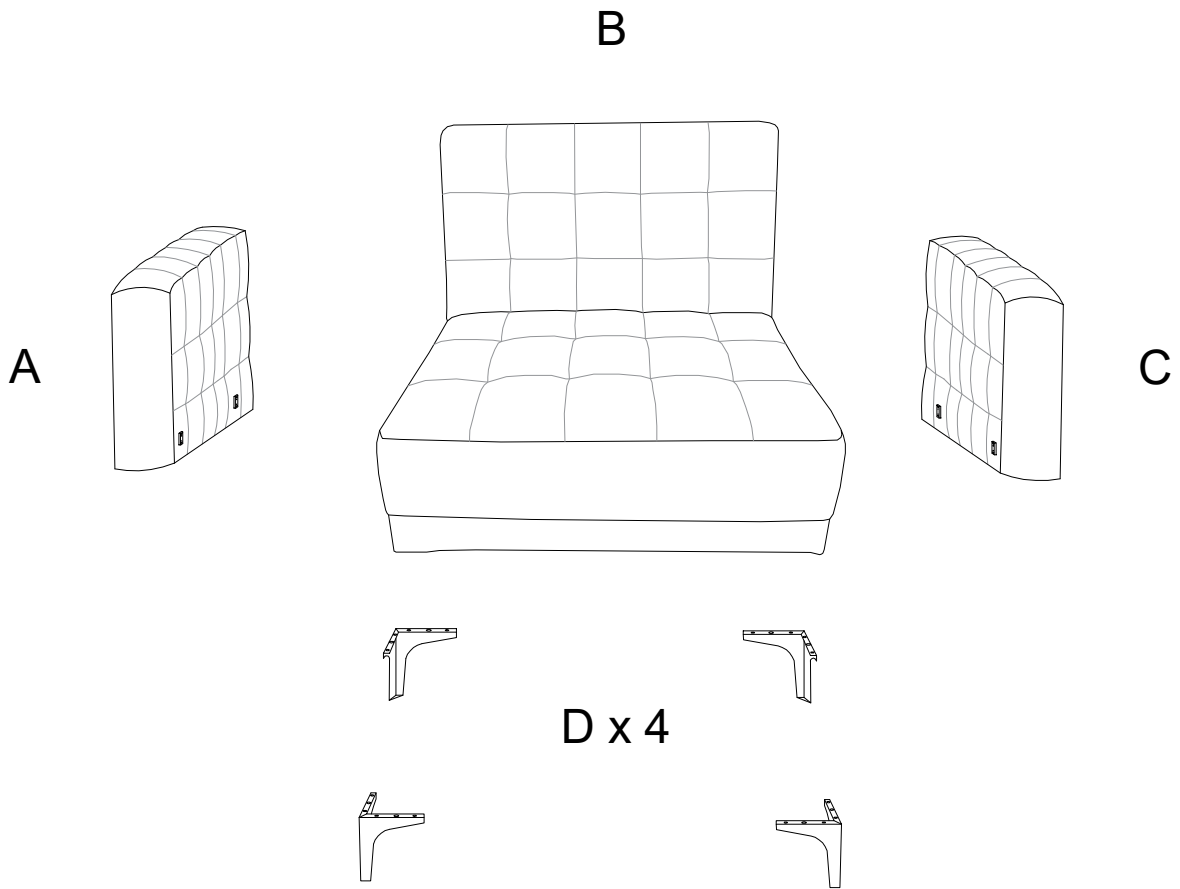
Tools: An icon shows an Allen key and a screwdriver inside a circle, and a power drill with a slash through it, indicating that a power drill is not required.

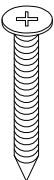

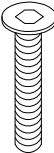

Time: A clock icon is shown next to the text "30'", indicating the estimated assembly time.

Personnel: A person icon is shown next to the number "2", indicating that two people are required for assembly.

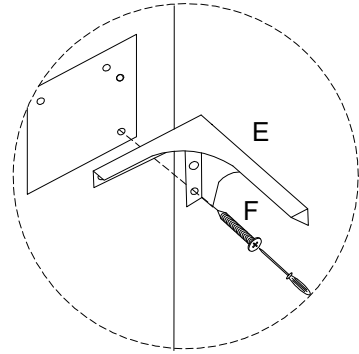
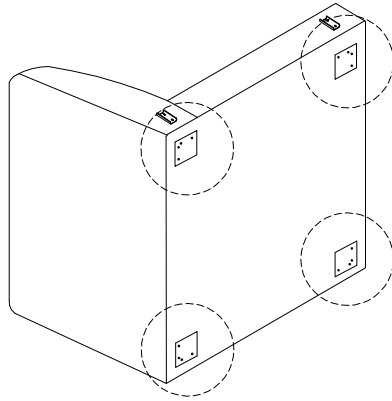
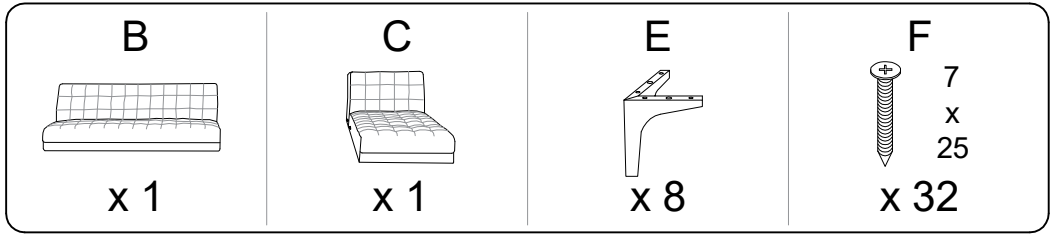
Warnings: Two warning triangles (a triangle with an exclamation mark) are shown. The top one is connected to the tool icons, and the bottom one is connected to the floor icon.

A	B	C	D
			
x 1	x 1	x 1	x 4

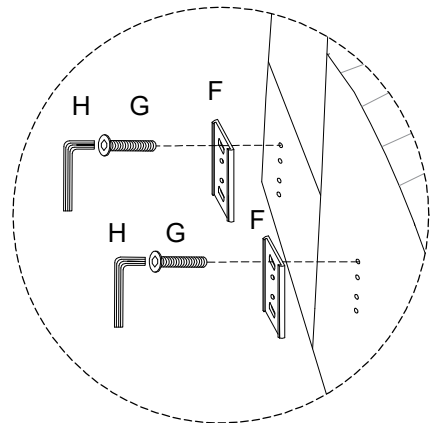
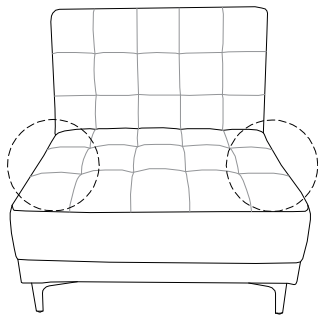
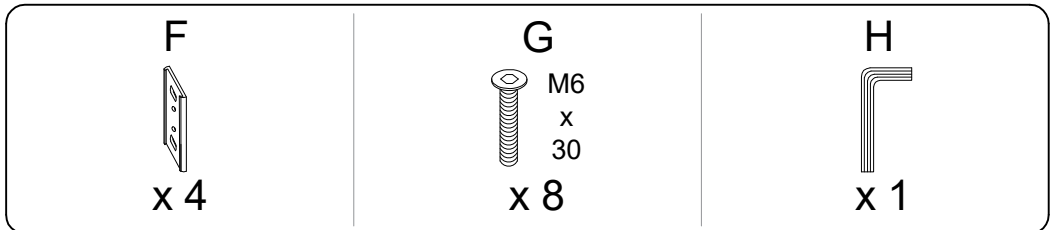


E	F	G	H
			
5 x 25 x 16	x 4	M6 x 30 x 8	x 1

1



2



3

A



x 1

B



x 1

