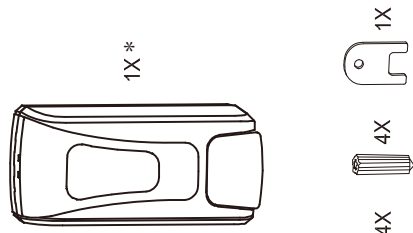
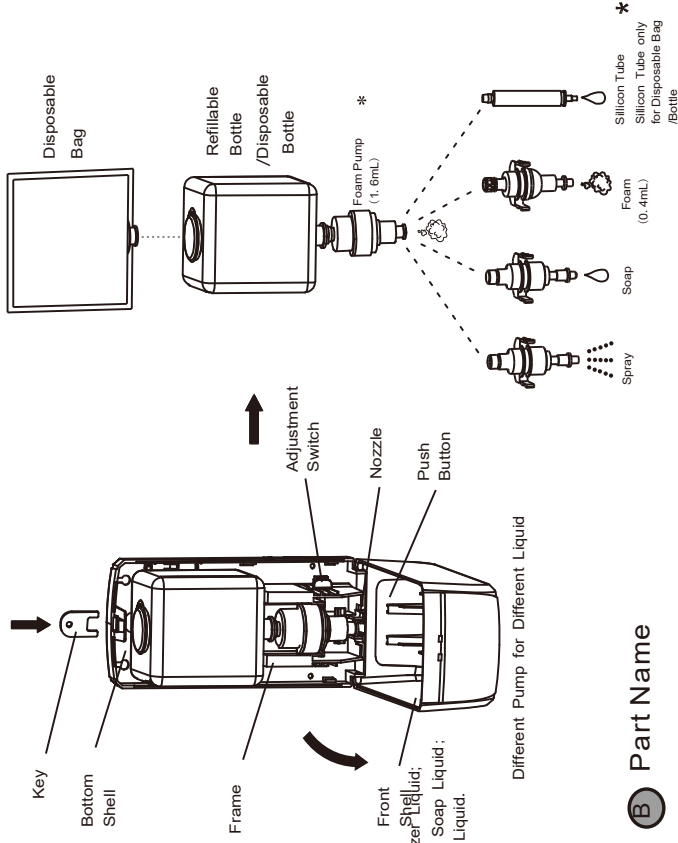


# MANUAL FOAM SOAP DISPENSER INSTALLATION



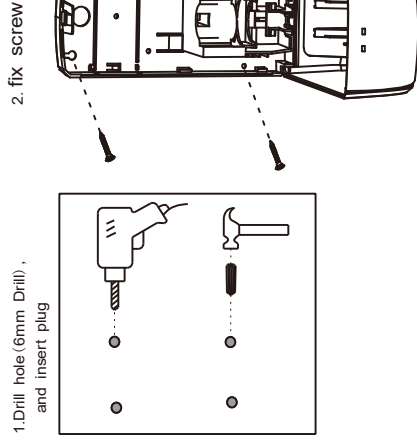
\* we have different shape but same installation.

## A Packing List

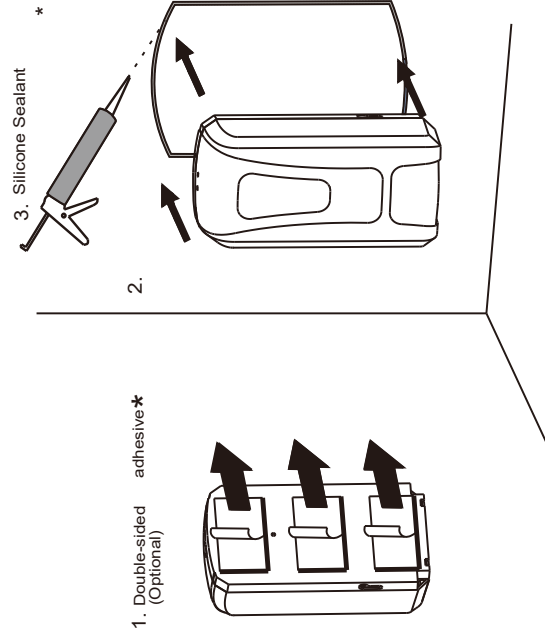


- 1. Spray: Sanitize Liquid;
- 2. Soap: Gel or Soap Liquid;
- 3. Foam: Foam Liquid.

## B Part Name

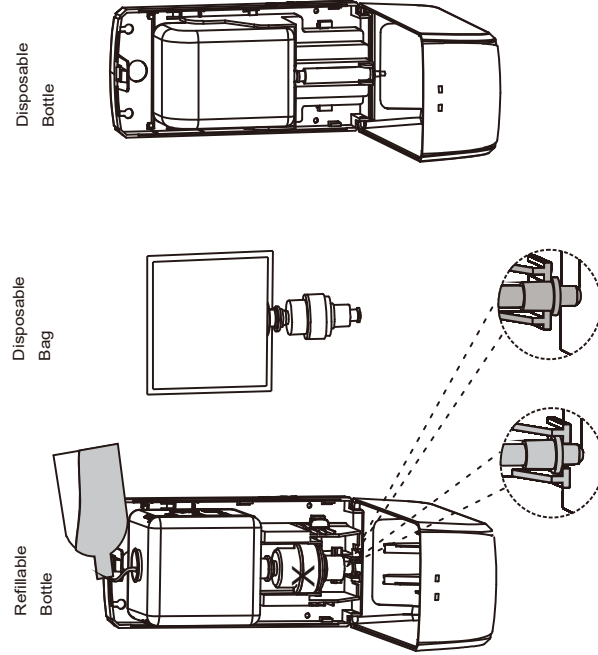


## C Way for Screw

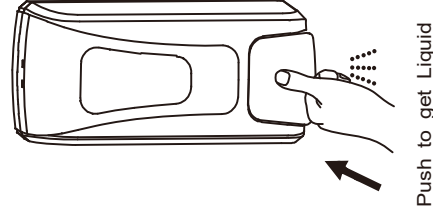


\* The standard Packing is not including Double-sided adhesive and Silicone sealant

## D Way for Sticker/without Screw



## E Fill Liquid



## F Enjoy hand sanitizing